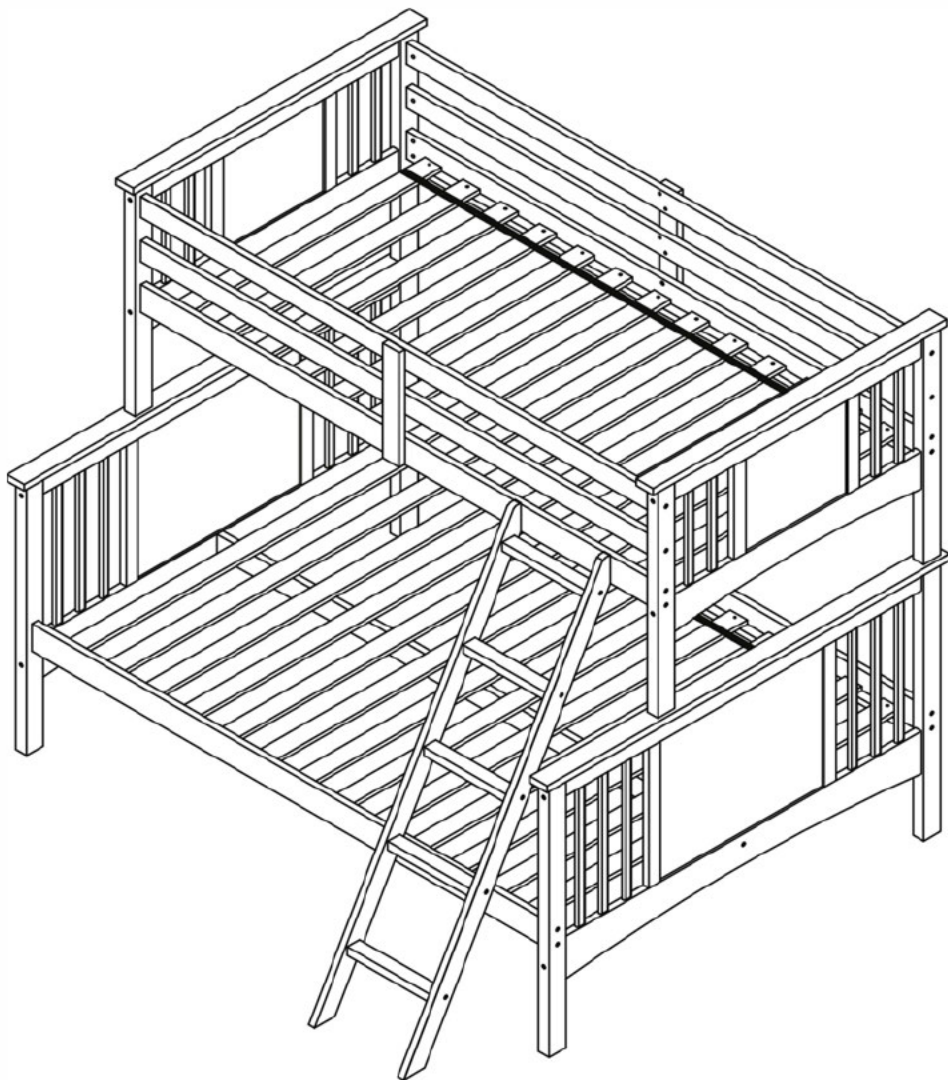


ASSEMBLY INSTRUCTIONS



TOOLS REQUIRED



Allen Wrench
(Included)



Phillips
Screwdriver
(Not Included)



2 - People
Recommended

ASSEMBLY RATING



EASY —————> DIFFICULT

The Assembly Rating is a 5-point system showing the level of effort needed to assemble a specific product.



CHECK BEFORE STARTING

Are you missing anything?

Double-check all parts, hardware and accessories listed are all accounted for.

Check out our Quick Tips!

We recommend reviewing the pre-assembly handouts. Even experts need a refresher now and then!

Should we send any replacements?

Are there any irregularities or flaws in the parts? We can send replacements!

Prep Time!

Please review the assembly instructions and all diagrams prior to assembling.

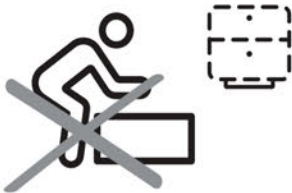
PRE ASSEMBLY INTRODUCTION

We understand building ready-to-assemble furniture can be a challenging experience for some. To help avoid confusion, we have provided some helpful tips that may speed up the process.



Teamwork

ALWAYS have at least two people to help with transporting and assembling the product to avoid potential injury and/or damage.



Suitable Location

Assembling near the area of the intended location is highly recommended.



Sufficient Space

Make sure you have enough space to move around during the assembly.



Avoid Scratches

Use cardboard, blankets or a carpeted area while assembling furniture to prevent to prevent scratches and damages.



Flat Surface

Make sure the furniture rests on a flat and level surface with each leg evenly touching the floor.

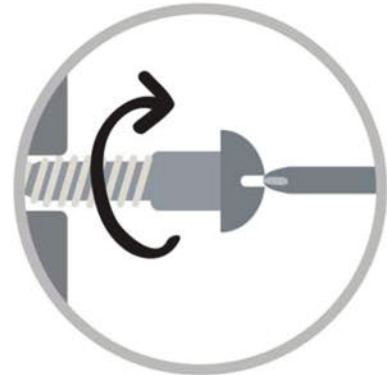
ASSEMBLY AND CARE ADVICE



FAILURE TO FOLLOW THE GUIDELINES BELOW MAY RESULT IN INJURY AND/OR PROPERTY DAMAGE.



Position each part correctly and insert screws or bolts into their respective holes.



Turn clockwise to tighten and only tighten when step is completed or when instructed to do so.



Use the appropriate hand tools or power tools for assembly. Select steps, such as tightening screws and/or bolts, may require hand tools to avoid causing damage during assembly.



Save the instructions and store any supplied tools for later maintenance.



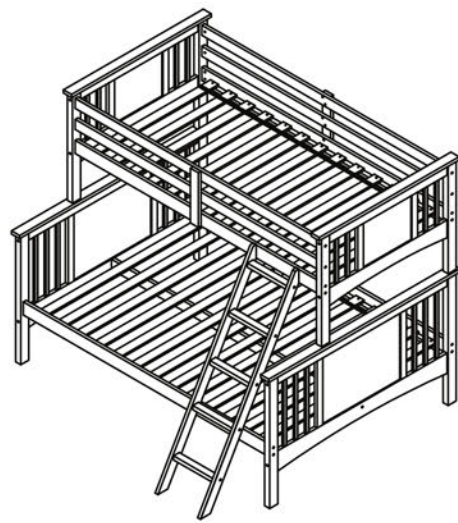
After two weeks, check and tighten any loose hardware and repeat again every six months thereafter.

IT IS THE USER'S RESPONSIBILITY TO MAINTAIN THE FURNITURE. THE HARDWARE MAY LOOSEN OVER TIME AND MAY CAUSE THE FURNITURE TO BE WOBBLY AND UNABLE TO SUPPORT ITS INTENDED WEIGHT CAPACITY. THIS MAY LEAD TO COLLAPSE AND MAY CAUSE SERIOUS INJURY.

BUNK BED



- Please keep instructions for future reference.
- Check the quantity and irregularity of parts and hardware before you start.



HARDWARE



① JCBC M6 x 100mm
16 pcs.



② JCBC M6x80mm
24 pcs.



③ JCBC M6x60mm
12 pcs.



④ JCBC M6x30mm
4 pcs.



⑤ JCBC - W M6 x 28mm
16 pcs.



⑥ WOOD SCREW 4.0x28mm
44 pcs.



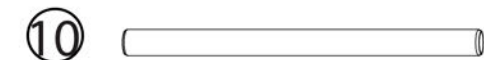
⑦ WOOD SCREW 3.5x 16mm
2 pcs.



⑧ BARREL NUT M6x 13mm
52 pcs.



⑨ WOOD DOWEL Ø10 x 30mm
20 pcs.

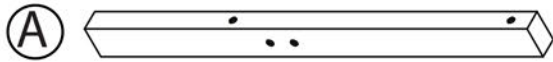


⑩ METAL HOLLOW PIN Ø9.5x 127mm
4 pcs.



⑪ ALLEN KEY M4
1 pcs.

PARTS



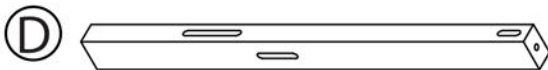
LOWER LEG (RIGHT FRONT)
1 pcs.



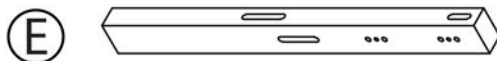
LOWER LEG (LEFT FRONT)
1 pcs.



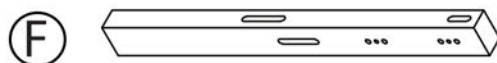
LOWER LEG (RIGHT REAR)
1 pcs.



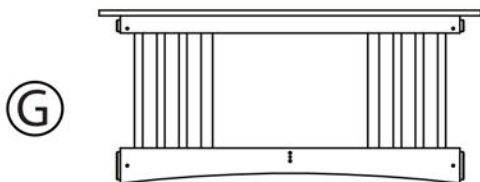
LOWER LEG (LEFT REAR)
1 pcs.



UPPER LEG (RIGHT FRONT & LEFT REAR)
2 pcs.



UPPER LEG (LEFT FRONT & RIGHT REAR)
2 pcs.



LOWER FRAME (LEFT)
1 pcs.



LOWER FRAME (RIGHT)
1 pcs.



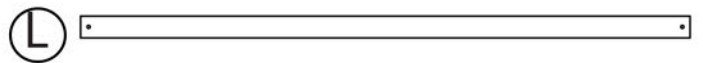
UPPER FRAME
2 pcs.



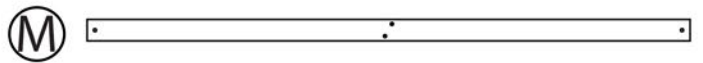
SIDE RAIL (LOWER FRONT & LOWER REAR)
2 pcs.



SIDE RAIL (UPPER FRONT & UPPER REAR)
2 pcs.



CENTER RAIL
1 pcs.



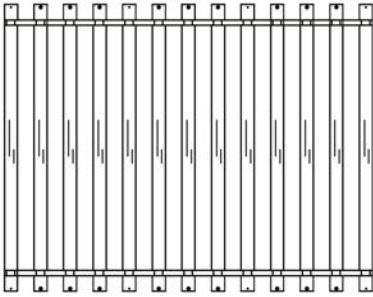
FRONT & REAR GUARD RAIL
4 pcs.



GUARD RAIL SUPPORT
2 pcs.

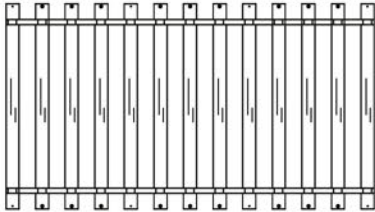
PARTS

ⓐ



SLAT (LOWER)
1 set

ⓑ



SLAT (UPPER)
1 set

ⓒ



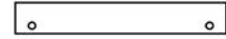
LADDER LEG (RIGHT)
2 pcs.

ⓓ



LADDER LEG (LEFT)
2 pcs.

ⓔ



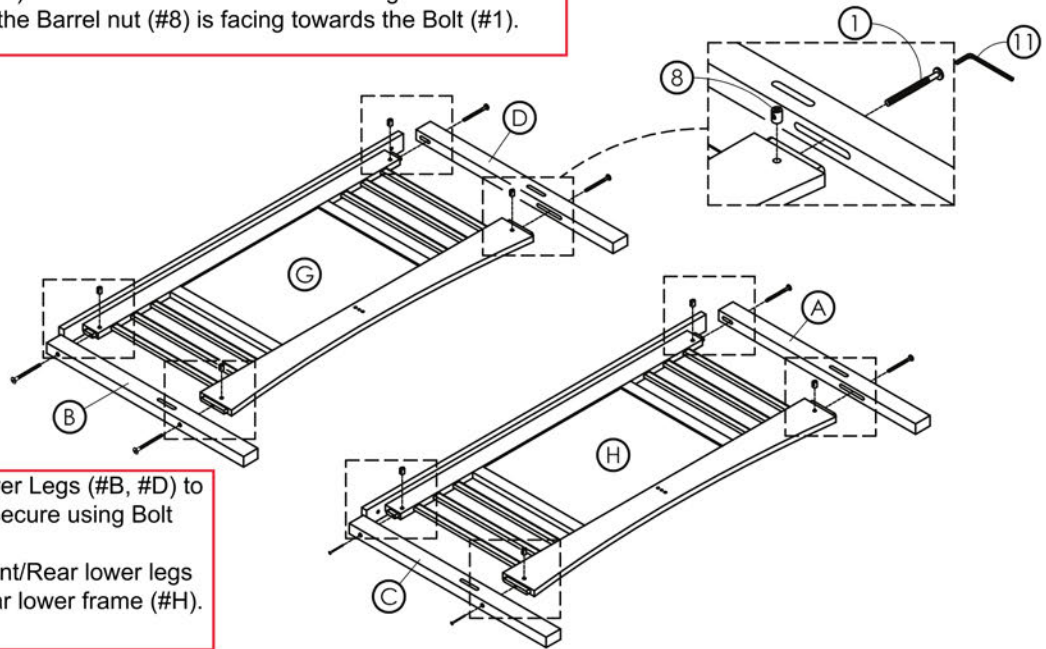
LADDER STRETCHER
2 pcs.

ASSEMBLY INSTRUCTIONS

1

I. Prepare Left/Right Lower frames (#G, #H) by inserting the Barrel nut (#8) into the holes as shown in the diagram. Ensure the hole on the Barrel nut (#8) is facing towards the Bolt (#1).

- Part #A x 1pc
- Part #B x 1pc
- Part #C x 1pc
- Part #D x 1pc
- Part #G x 1pc
- Part #H x 1pc
- Hardware #1 x 8pcs
- Hardware #8 x 8pcs
- Hardware #11 x 1pc

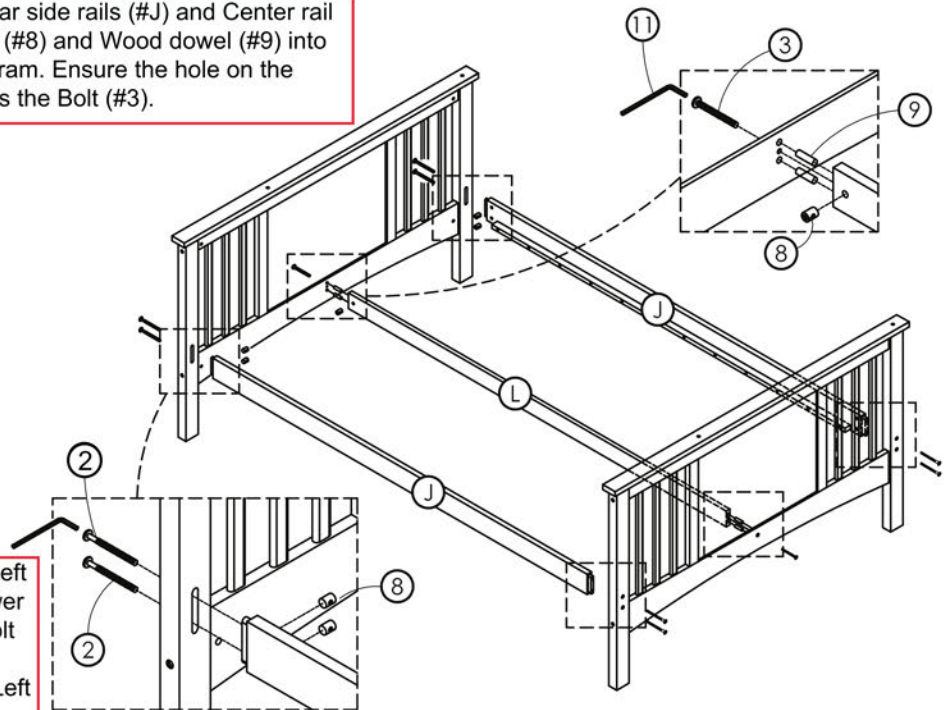


II. Align the Left-Front/Rear lower Legs (#B, #D) to the Left lower frame (#G) and secure using Bolt (#1).
 III. Repeat steps with Right-Front/Rear lower legs (#A, #C) and align to Right -Rear lower frame (#H). Secure with Bolt (#1).

2

I. Prepare Lower Front and Rear side rails (#J) and Center rail (#L) by inserting the Barrel nut (#8) and Wood dowel (#9) into the holes as shown in the diagram. Ensure the hole on the barrel nut (#8) is facing towards the Bolt (#3).

- Part #J x 2pcs
- Part #L x 1pc
- Hardware #2 x 8pcs
- Hardware #3 x 2pcs
- Hardware #8 x 10pcs
- Hardware #9 x 4pcs
- Hardware #11 x 1pc



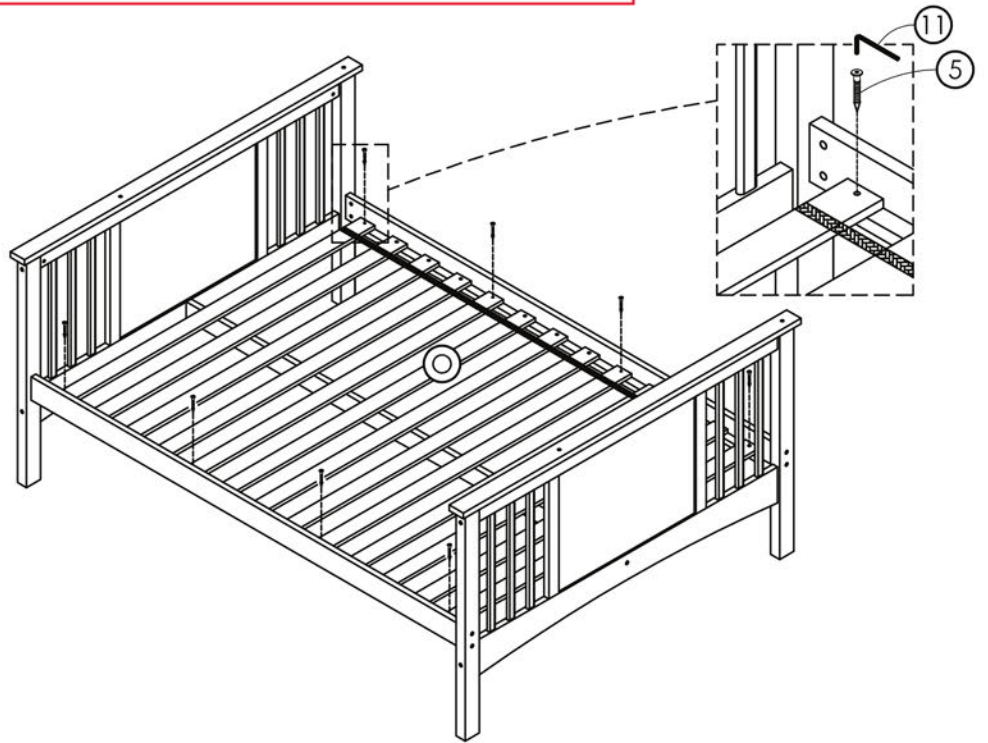
II. Align the Side Rails (#J) to the Left lower frame (#G) and the Right lower frame (#H) and secure by using Bolt (#2).
 III. Align the Center rail (#L) to the Left lower frame (#G) and the Right lower frame (#H) and secure by using Bolt (#3).

ASSEMBLY INSTRUCTIONS

Place the Lower slat set (#O) over the Side rails (#J) and secure at the first and every fourth slat by using Screw (#5).

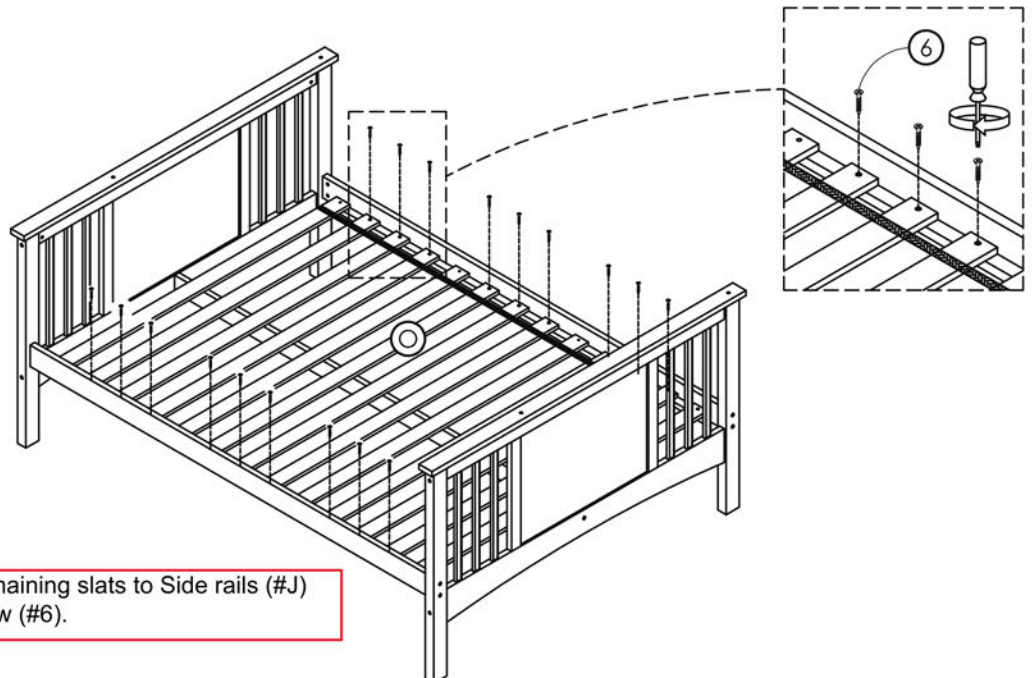
3

Part #O x 1set
Hardware #5 x 8pcs
Hardware #11 x 1 pc



4

Hardware #6 x 18pcs



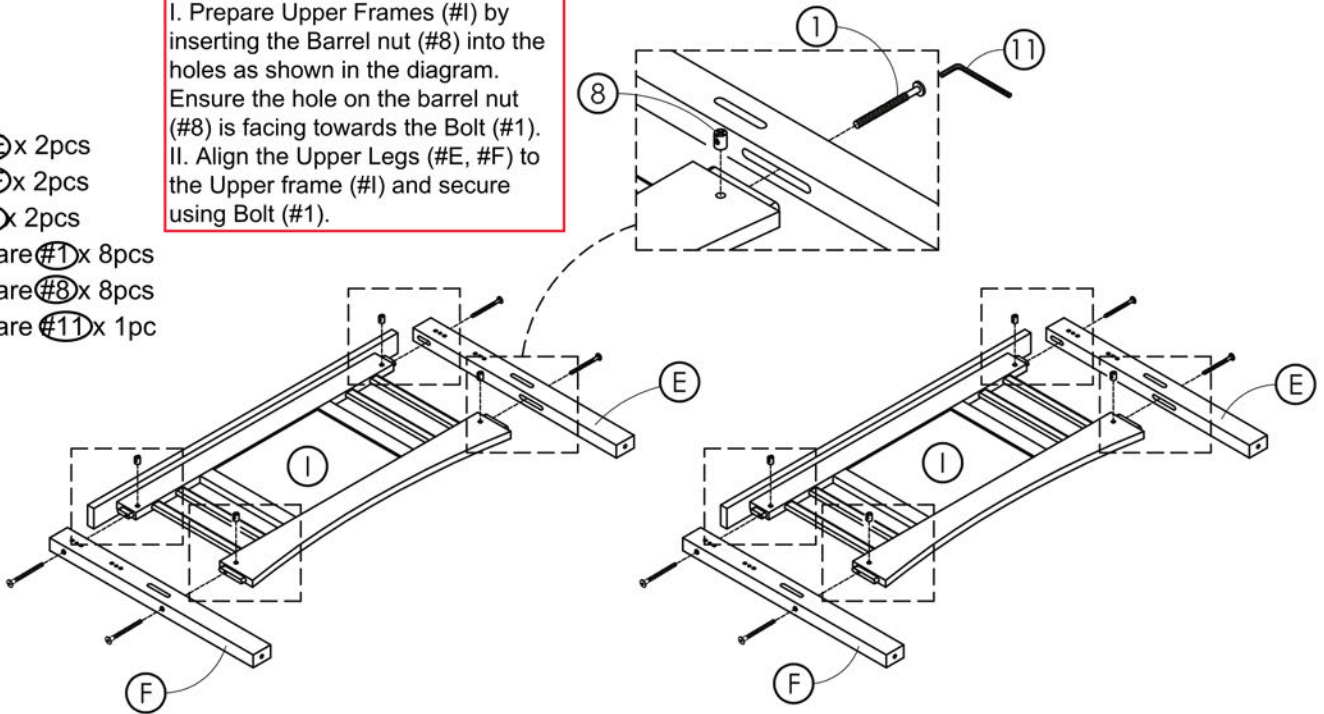
Secure the remaining slats to Side rails (#J) by using Screw (#6).

ASSEMBLY INSTRUCTIONS

5

- Part #E x 2pcs
- Part #F x 2pcs
- Part #I x 2pcs
- Hardware #1 x 8pcs
- Hardware #8 x 8pcs
- Hardware #11 x 1pc

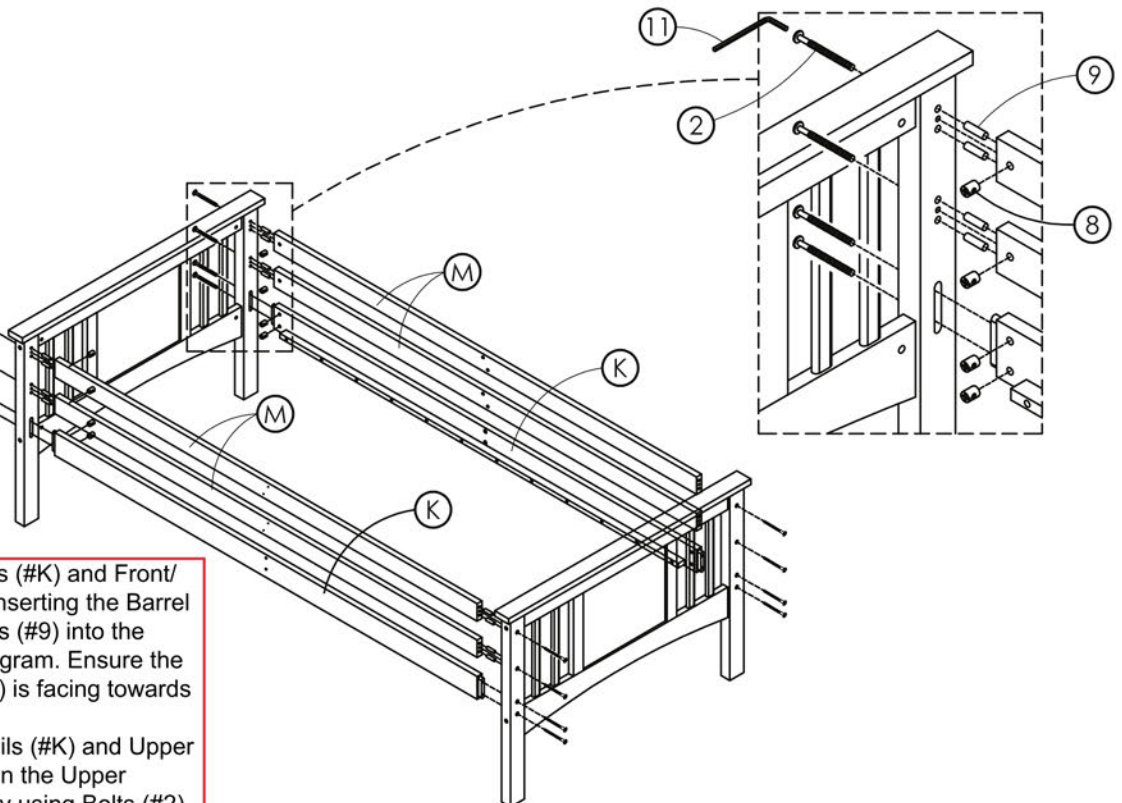
I. Prepare Upper Frames (#I) by inserting the Barrel nut (#8) into the holes as shown in the diagram. Ensure the hole on the barrel nut (#8) is facing towards the Bolt (#1).
 II. Align the Upper Legs (#E, #F) to the Upper frame (#I) and secure using Bolt (#1).



6

- Part #K x 2pcs
- Part #M x 4pcs
- Hardware #2 x 14pcs
- Hardware #8 x 14pcs
- Hardware #9 x 16pcs
- Hardware #11 x 1pc

I. Prepare Upper side rails (#K) and Front/Rear guardrails (#M) by inserting the Barrel nut (#8) and Wood dowels (#9) into the holes as shown in the diagram. Ensure the hole on the barrel nut (#8) is facing towards the Bolt (#2).
 II. Align the Upper side rails (#K) and Upper guardrails (#M) in between the Upper Frames (#I) and secure by using Bolts (#2).

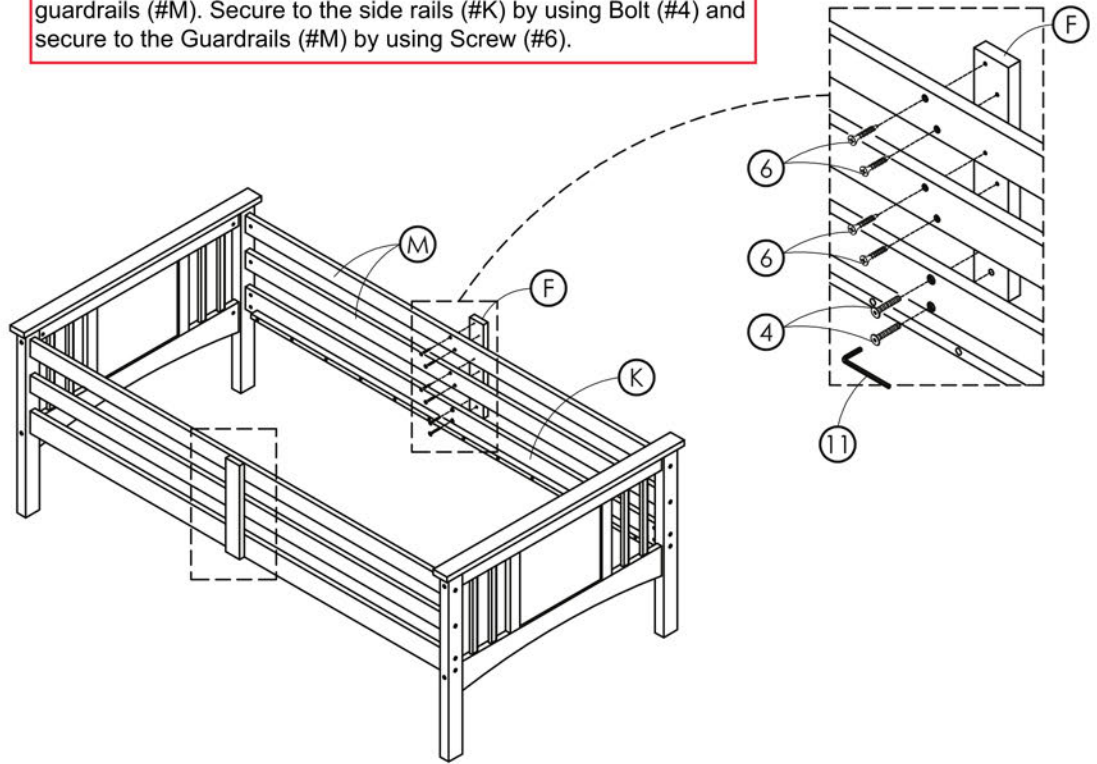


ASSEMBLY INSTRUCTIONS

7

Part **#F** x 2pcs
Hardware **#4** x 4pcs
Hardware **#6** x 8pcs

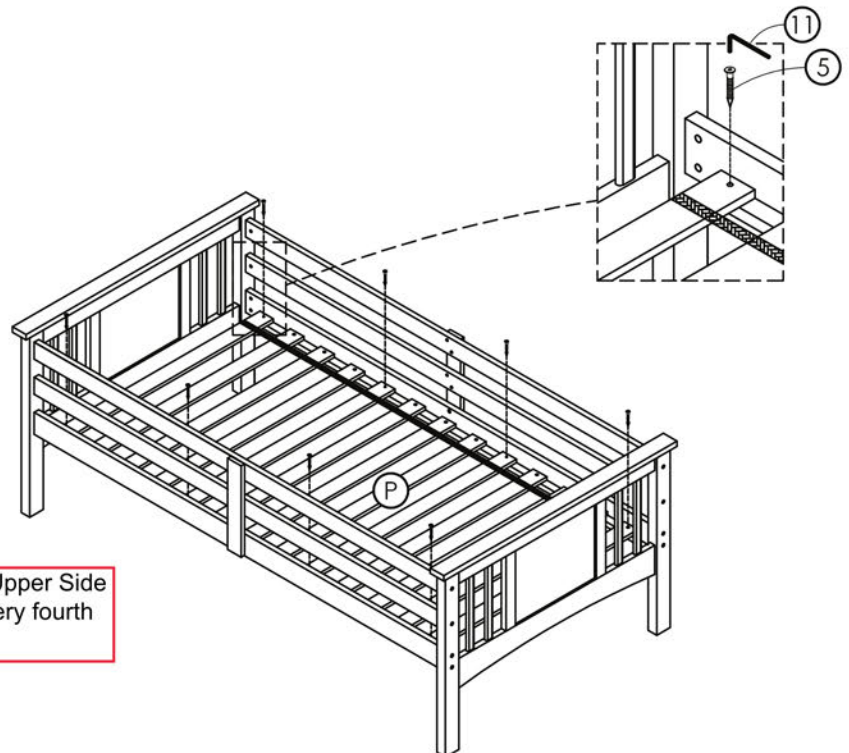
Align the Upper Leg (**#F**) over the Upper side rails (**#K**) and Upper guardrails (**#M**). Secure to the side rails (**#K**) by using Bolt (**#4**) and secure to the Guardrails (**#M**) by using Screw (**#6**).



8

Part **#P** x 1set
Hardware **#5** x 8pcs

Place Upper slat set (**#P**) over the Upper Side rails (**#K**) and secure at first and every fourth slat by using Screw (**#5**).

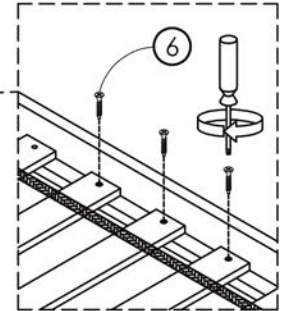
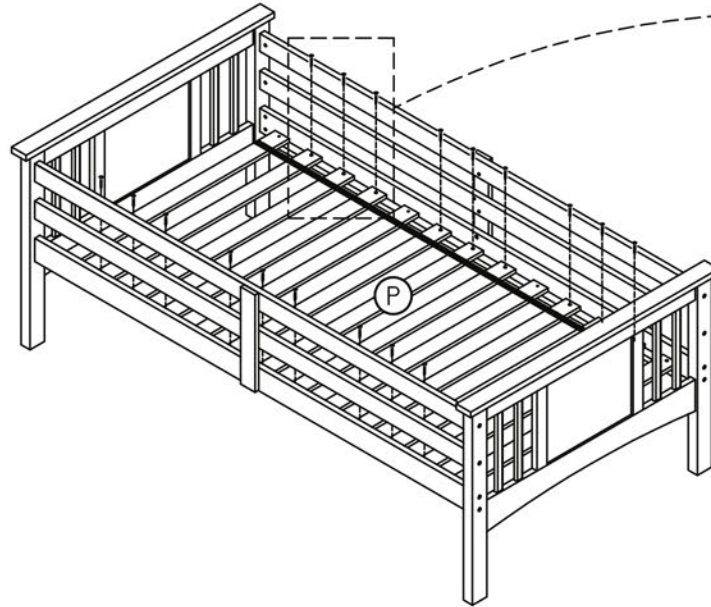


ASSEMBLY INSTRUCTIONS

9

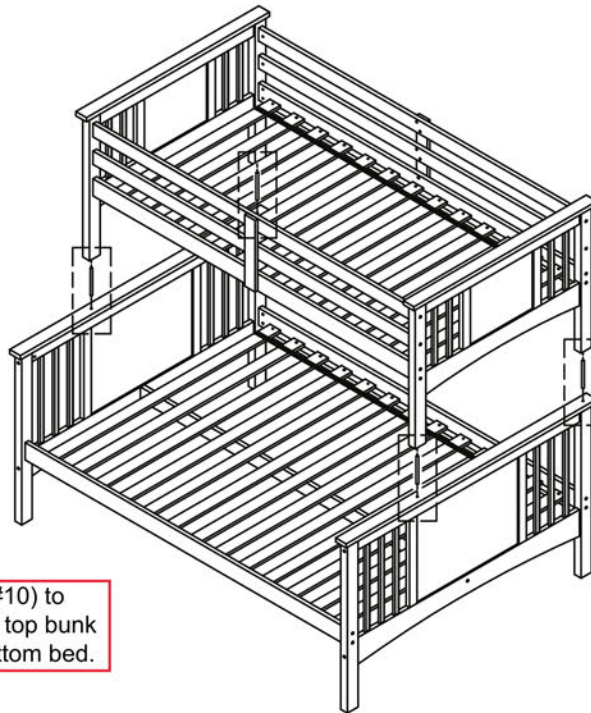
Secure the rest of the slats by using Screw (#6).

Hardware #6 x 18 pcs

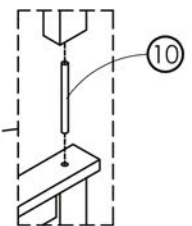


10

Hardware #10 x 4 pcs



Use Metal pin (#10) to align and attach top bunk bed onto the bottom bed.

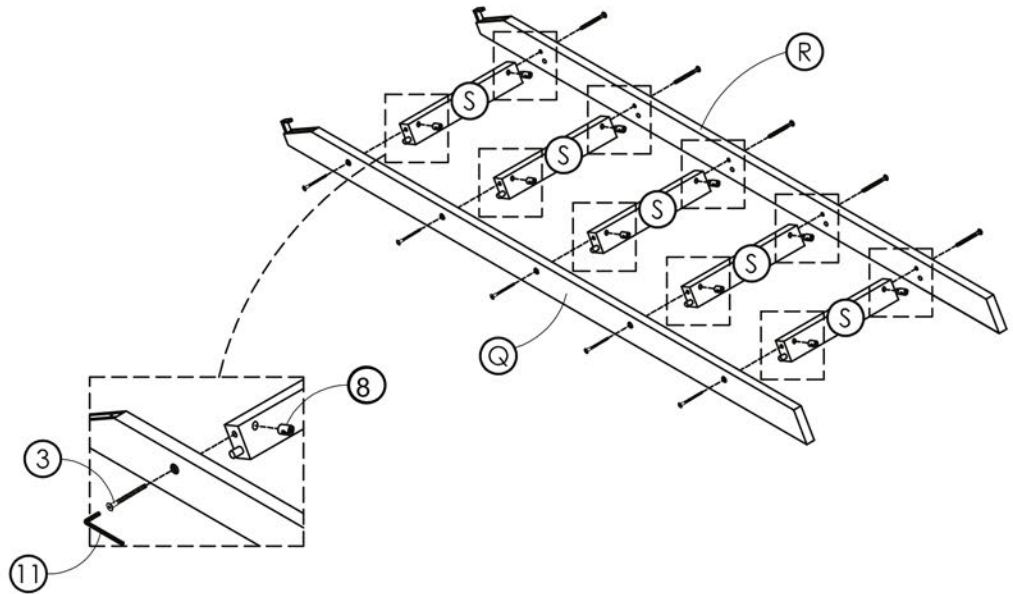


ASSEMBLY INSTRUCTIONS

11

- Part #Q x 1pc
- Part #R x 1pc
- Part #S x 5pcs
- Hardware #3 x 10pcs
- Hardware #8 x 10pcs
- Hardware #11 x 1pc

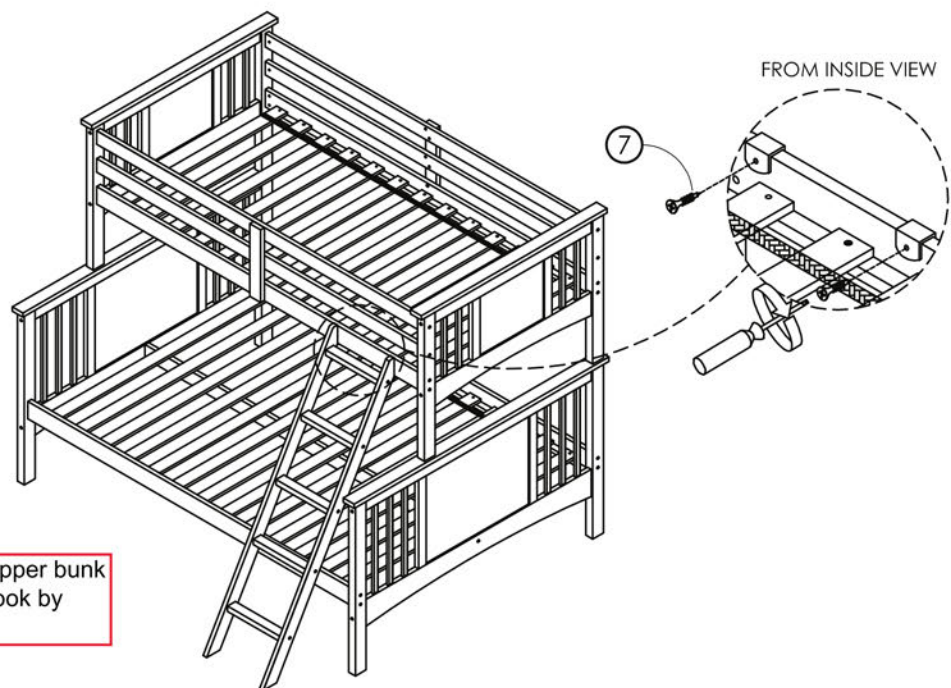
I. Prepare the Ladder stretcher (#S) by inserting the Barrel Nut (#8) as shown in the diagram. Align in between the Ladder legs (#Q,#R) and secure by using Bolt (#3).



12

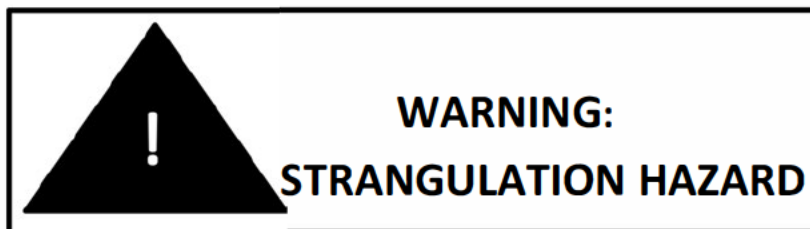
- Hardware #7 x 2pcs

Hook the ladder onto the Upper bunk side rail (#K) and secure hook by using Screw (#7).



Safety Warnings for Bunk Beds

1. Read and follow the information on the WARNING labels shown on the end structure of the upper bunk and on the carton.
2. Do not remove warning labels from the bed.
3. Keep these instructions for future use.
4. **IMPORTANT:** Must use Bunkie mattress or Bunkie board. The proper sizes for the UPPER/LOWER TWIN-SIZE Bunkie mattress or Bunkie board should be 74"- 75" long and 37 ½" - 38 ½" wide with no more than 6" thickness and for the UPPER/LOWER FULL-SIZE should be 74"-75" long and 53" – 54" wide with no more than 6" thickness.
5. Surface of mattress must be at least 5 inches (127 mm) BELOW the upper edge of the guardrails.
6. The **MAXIMUM** weight capacity for the upper bunk is not to exceed 150 lbs.
7. Do not allow children under 6 years of age to use the upper bunk.
8. Periodically check and ensure that the guardrails, ladder, handle and other components are in their proper position, free from damage, and that all connectors are tightened and secured.
9. **DO NOT** allow horseplay, rough playing, or jumping on the beds and do not allow playing or hiding under the beds.
10. Always use the ladder for entering or leaving the upper bunk.
11. Do not use substitute parts. Contact the manufacturer or dealer for replacement parts.
12. Use of a nightlight may provide added safety precaution for a person using the upper bunk.
13. Always use the guardrails on both sides of the upper bunk.
14. If the bunk bed will be placed next to a wall, the guardrail that runs the full length of the bed should be placed against the wall to prevent entrapment between the bed and the wall.
15. The use of water or sleep flotation mattresses is prohibited.
16. No more than one person is allowed on the upper bunk at all times.
17. Always use the recommended size mattresses or mattress supports, or both, to help prevent the like likelihood of entrapment or falls.



Objects such as, but not limited to, hanger, hooks, belts, bag, rope strings, etc. should not be hanged or used on or around the bunk bed.