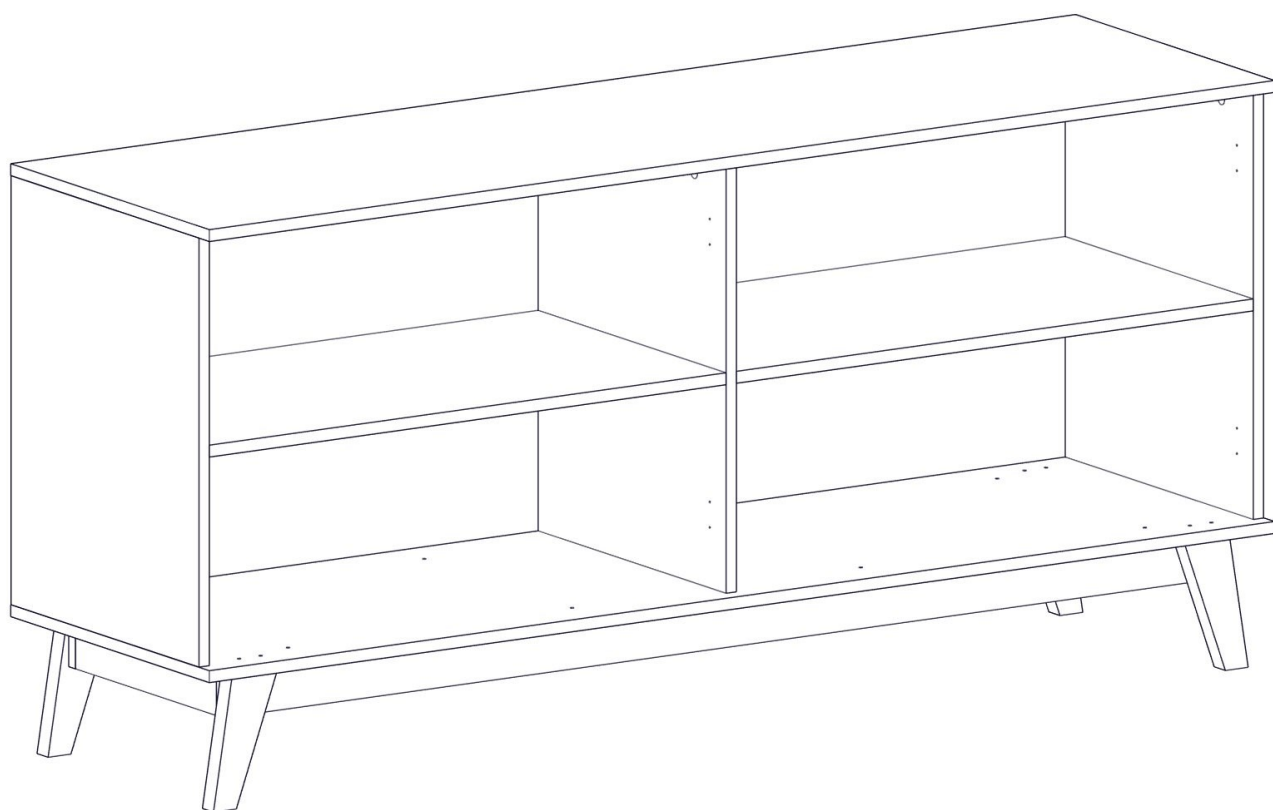


Assembly instructions

Warning - CHOKING HAZARD - Small Parts Not for children under 3 years. Adult assembly required.

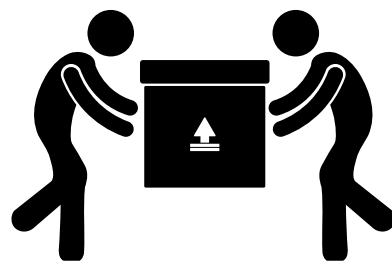
EU2503



Images for illustrative purposes only.

ASSEMBLY INSTRUCTIONS

To assemble it, **2 people** are required.



Tools required for assembly.
Tools NOT provided.



CHOKING HAZARD - This product contains small parts. Keep out of reach of children.



If in doubt, contact our customer service:

CS@K1intlgrp.com or Toll-free 1-877-250-2820



ASSEMBLY INSTRUCTIONS

Follow the assembly steps carefully as indicated in the manual.



Before starting the assembly, identify and separate all the parts and accessories.



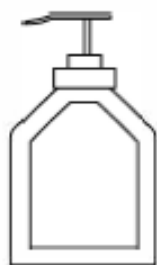
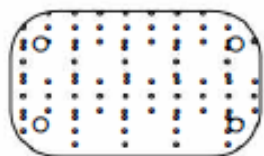
During assembly, keep parts and accessories organized to avoid accidents.



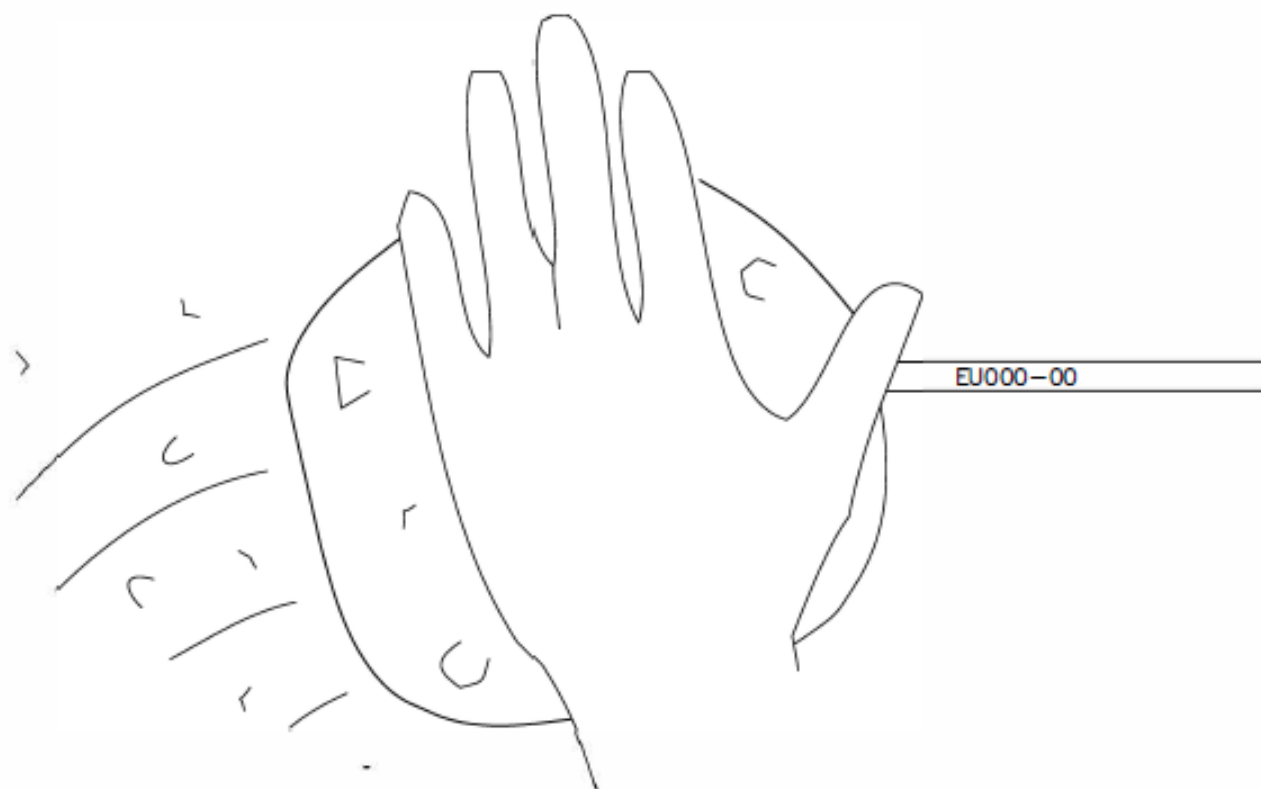
To protect your furniture, assemble it on a clean and flat surface.

Tip: You can use the product packaging to line the area where the assembly will be done.





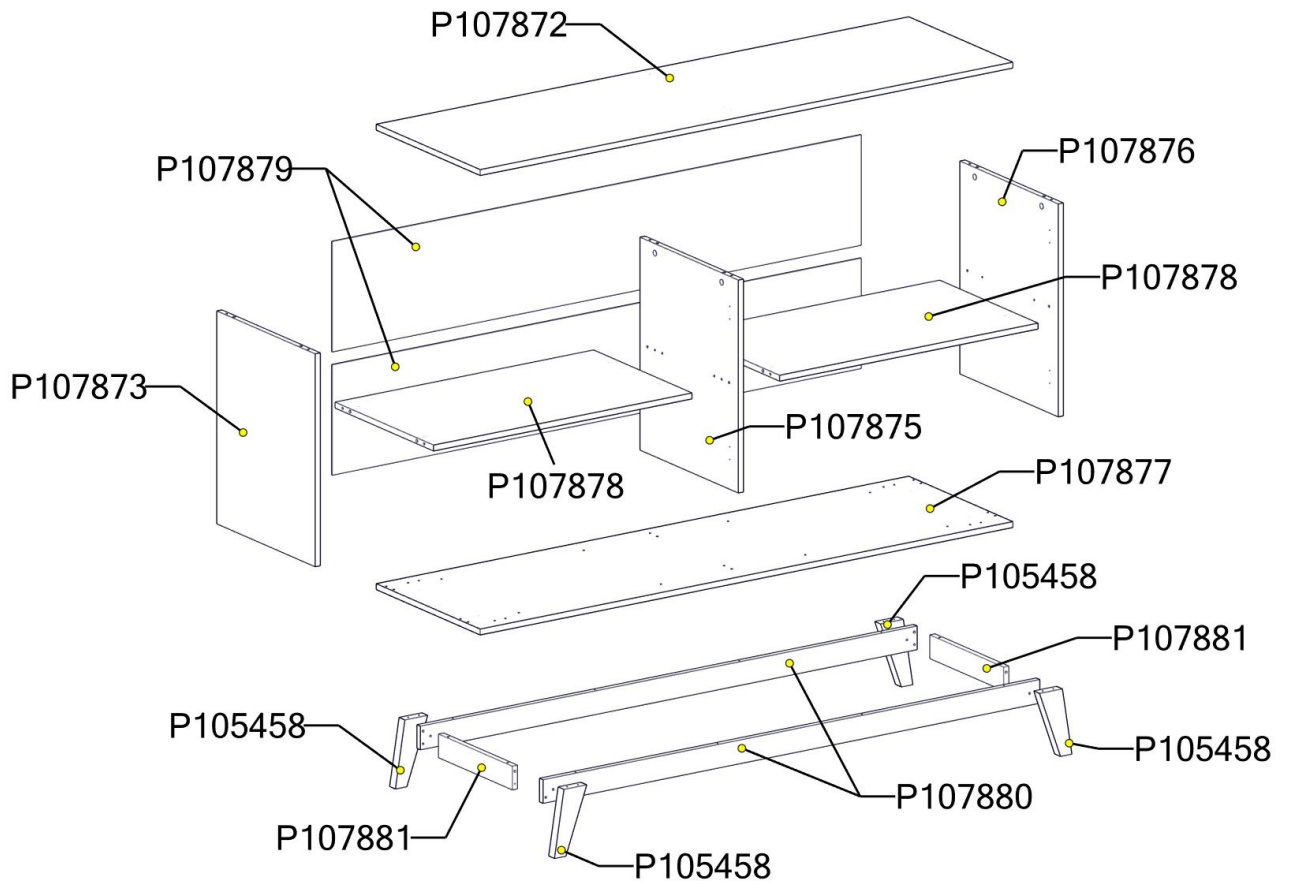
To Remove the printed number, apply a small amount of Glass Cleaner or Hand sanitizer and wipe with a paper towel.



PARTS IDENTIFICATION

QTD.	CÓDIGO / CODE	DESCRIÇÃO (Internal production data)	Description	C x L x E	L x W x T
4	P105458	PE	FOOT OF FURNITURE	181 x 66 x 25 mm	7.13 x 2.60 x 0.98 in
1	P107872	TAMPO	TOP	1560 x 448 x 15 mm	61.42 x 17.64 x 0.59 in
1	P107873	LATERAL ESQUERDA	LEFT SIDE	540 x 424 x 15 mm	21.26 x 16.69 x 0.59 in
1	P107875	DIVISORIA	PARTITION	540 x 424 x 15 mm	21.26 x 16.69 x 0.59 in
1	P107876	LATERAL DIREITA	RIGHT SIDE	540 x 424 x 15 mm	21.26 x 16.69 x 0.59 in
1	P107877	BASE	BASE	1560 x 448 x 15 mm	61.42 x 17.64 x 0.59 in
2	P107878	PRATELEIRA	SHELF	757 x 424 x 15 mm	29.80 x 16.69 x 0.59 in
2	P107879	COSTA	COAST	1549 x 280 x 3 mm	60.98 x 11.02 x 0.12 in
2	P107880	RODAPE	BASEBOARD	1455 x 60 x 15 mm	57.28 x 2.36 x 0.59 in
2	P107881	RODAPE	BASEBOARD	318 x 60 x 15 mm	12.52 x 2.36 x 0.59 in

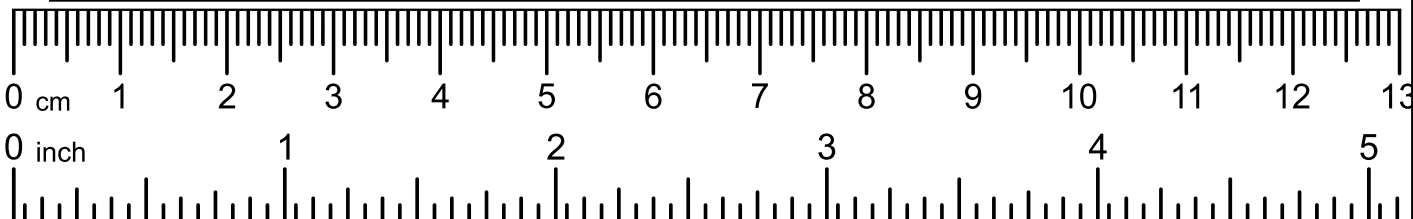
PARTS IDENTIFICATION



IDENTIFICATION OF ACCESSORIES

NOTE: Separating the accessories before starting assembly will make it easier. In case of doubt in the identification, place the accessory on the ruler.

	QTD.	CÓDIGO / CODE	DESCRIÇÃO (Internal production data)	Description
	49	000107	PREGO 10 X 10	NAIL 10 X 10
	5	000108	PREGO 12 X 12 ARDOX	NAIL 12 X 12
	5	000414	P.PANELA 4,0 X 35 CAB. PHILLIPS ZB/BC	SCREW 4,0 X 35
	2	001178	P.FLANGE 3,5 X 16 CAB. PHILLIPS BC	SCREW 3,5 X 16
	25	001802	CAVILHAS DE MADEIRA 6X30 PINUS	DOWEL 6X30MM
	3	001925	CAVILHA 6 X 50MM MADEIRA	DOWEL 6 X 50MM
	15	030945	PARAFUSO DE ACO P/ MINIFIX	MINIFIX DOWEL
	2	051980	P.CHATO 4,5 X 50 BC	SCREW 4,5 X 50 BC
	48	061971	P.PANELA 4,0 X 14 ZB P/DOBRADICA	SCREW 4,0 X 14
	27	075515	P.ESTRUTURAL 5 X 40 CAB. 13 ALLEN 3 C/PONTA ZB/BC	SCREW 5 X 40



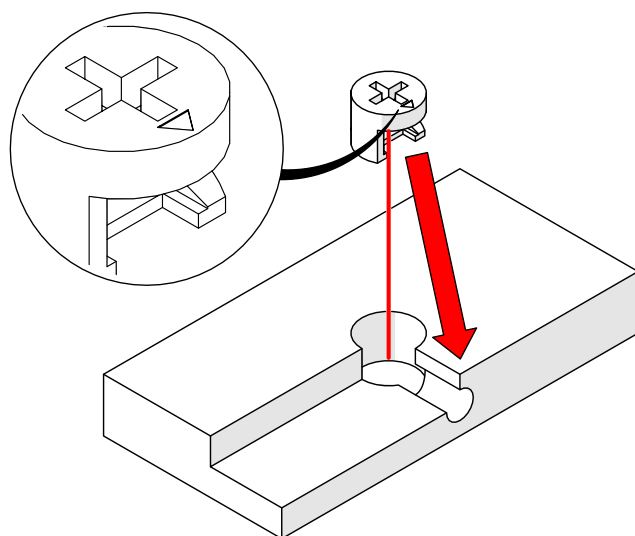
IDENTIFICATION OF ACCESSORIES

NOTE: Separating the accessories before starting assembly will make it easier. In case of doubt in the identification, place the accessory on the ruler.

	QTD.	CÓDIGO / CODE	DESCRIÇÃO (Internal production data)	Description
	13	001423	FIXADOR DE COSTA	BACK FIXER
	5	001901	SAPATA DESLIZADORA PRETA 15 X 6	SHOE 15 X 6
	15	030950	TAMBOR P/ MINIFIX 15MM ZAMAQ	MINIFIX CAM 15MM
	2	032069	BUCHA PARA GESSO FLY 2	FIXING BUSHING FOR PLASTER
	2	055606	SUP. P/ FIXACAO DE PAREDE (EUA)	FIXATION SUPPORT
	1	055607	ABRACADEIRA NYLON 300 MM	NYLON CLAMP 300 MM
	1	058788	CHAVE ALLEN Z 3X40MM ZB/BC	ALLEN WRENCH
	8	DO54	DOBRAD. CURVA 35MM C/ CALCO FIXO E AMORTECEDOR	HINGLE
	16	13MM	TAPA FURO 13MM	SCREW CAP COVER 13MM
	6	19MM	TAPA FURO 19MM	SCREW CAP COVER 19MM

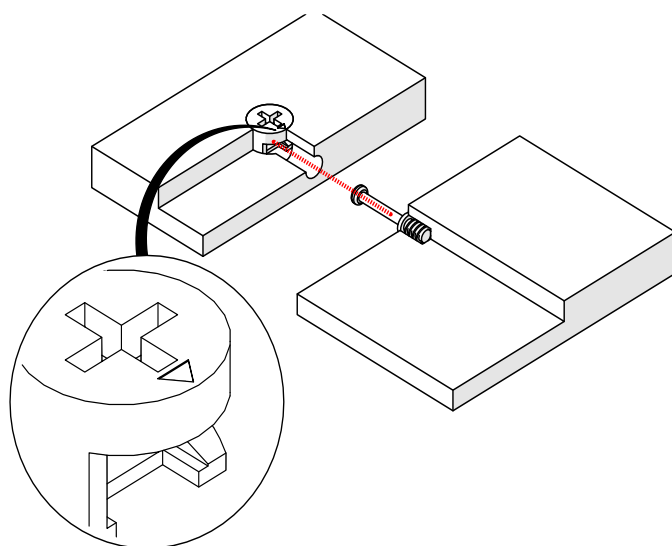
INSTALLING CAM

Identify arrow on head of cam. Arrow MUST point toward hole in edge of panel. Push cam all the way down into hole.



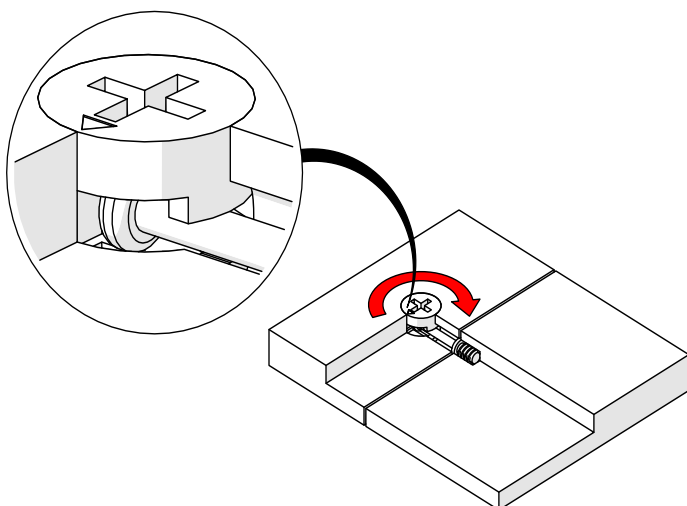
CAM AND DOWEL ALIGNMENT

Ensure the arrow on the cam points toward hole and insert cam dowel into hole. Make sure pieces join together.

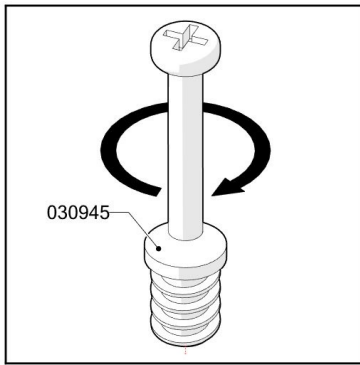


TIGHTENING CAM

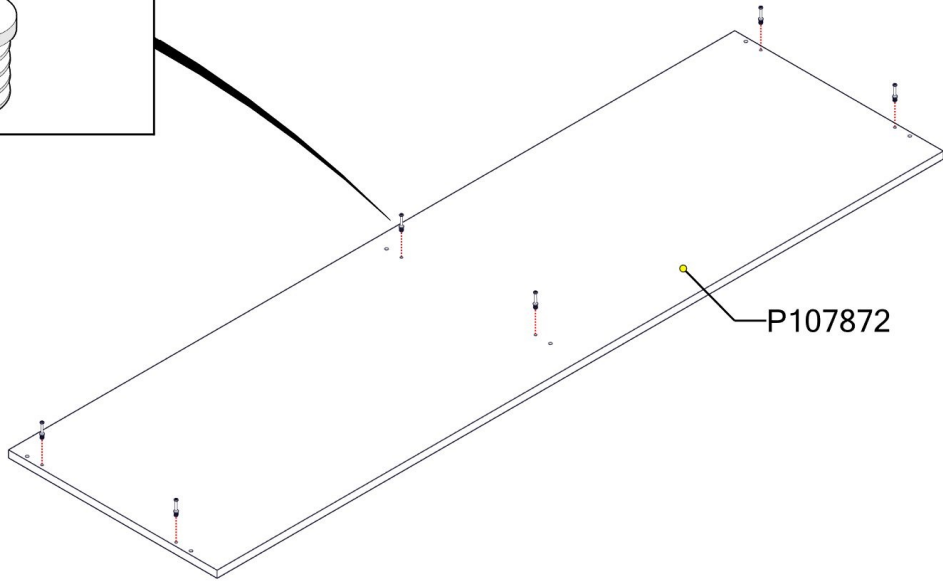
Use screwdriver to turn cam. Turn cam (clockwise) until fully tightened. Slightly more than half a turn.



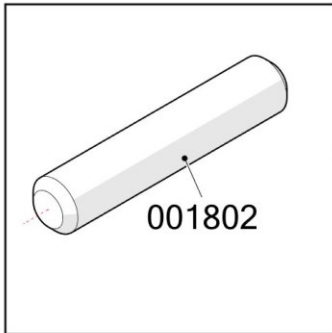
STEP 1



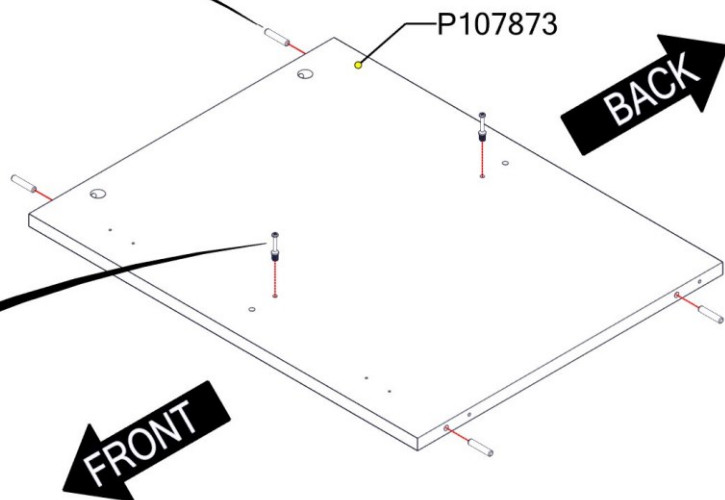
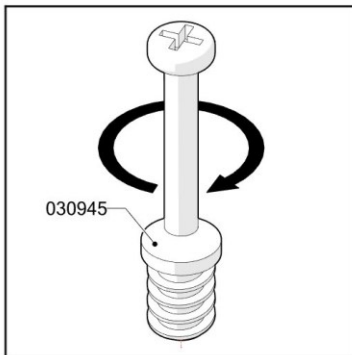
Cód.	Qtde.
030945	6



STEP 2

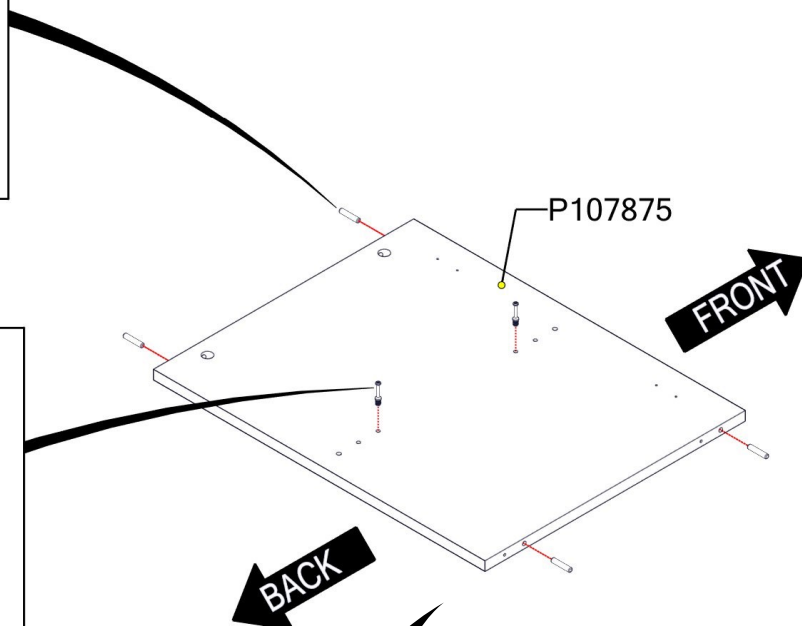
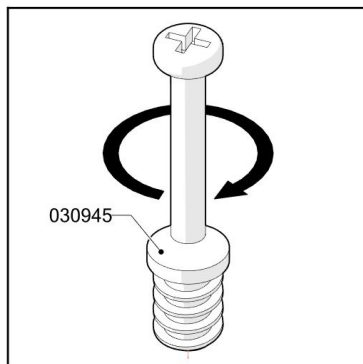
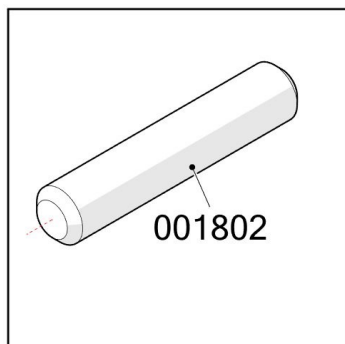


Cód.	Qtde.
001802	4
030945	2



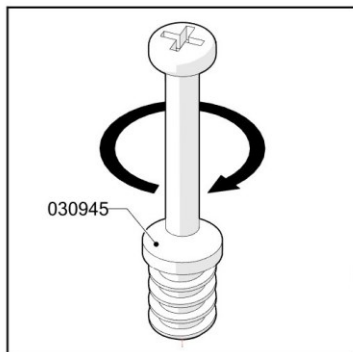
STEP 3A

Cód.	Qtde.
001802	4
030945	2

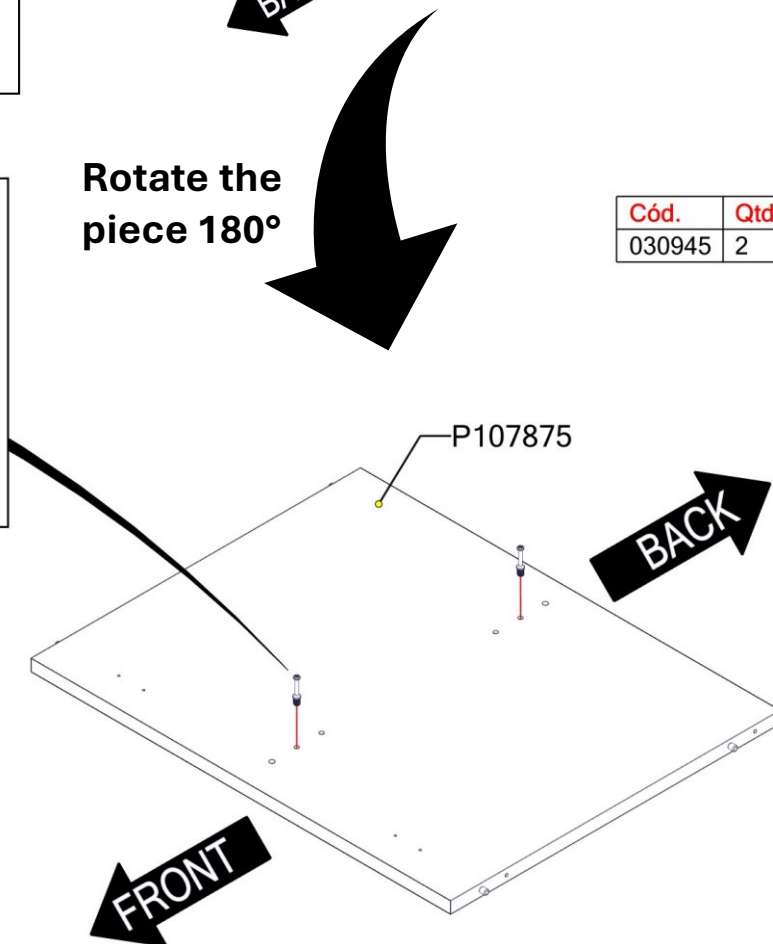


STEP 3B

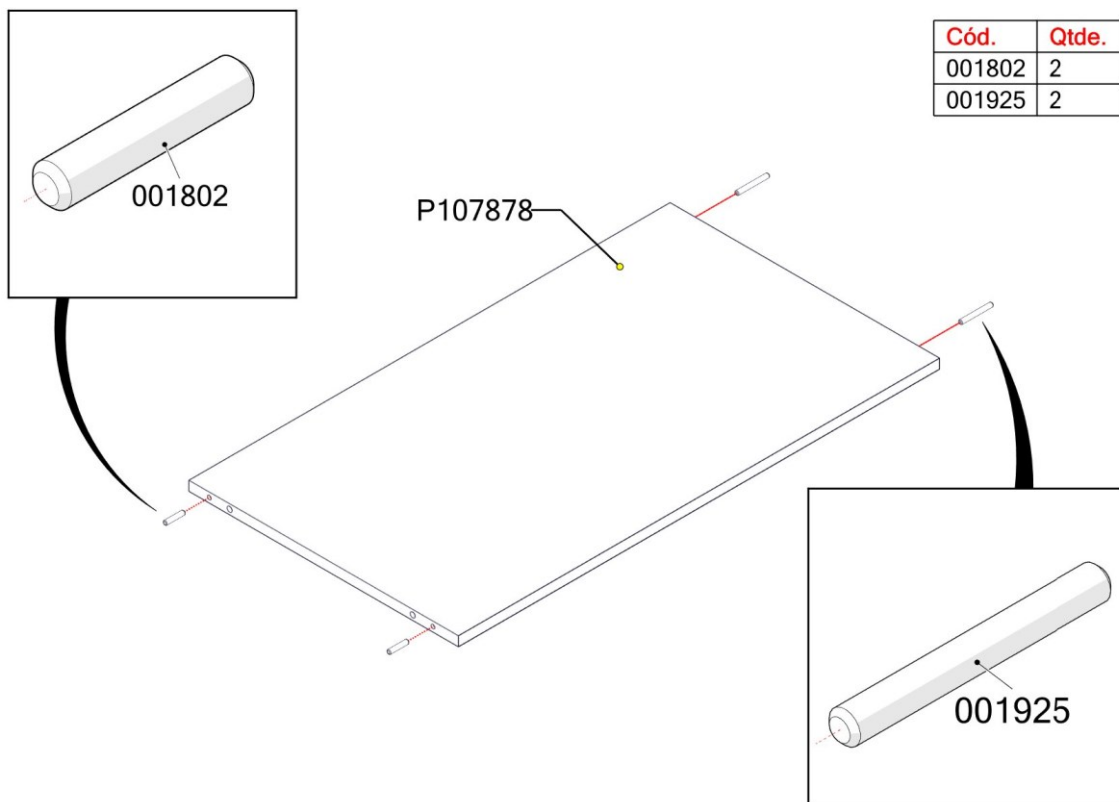
Cód.	Qtde.
030945	2



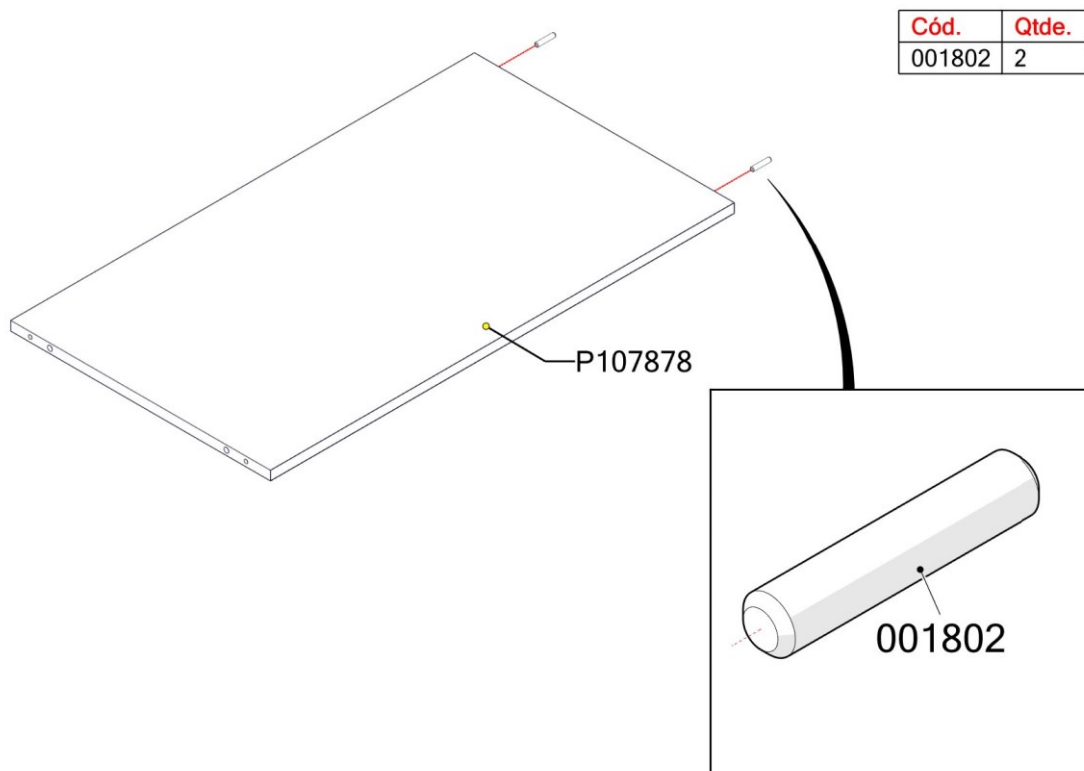
Rotate the
piece 180°



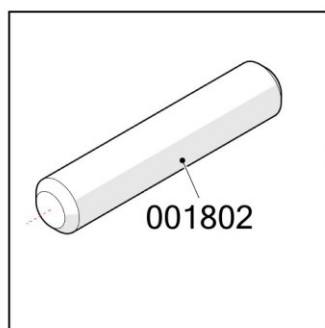
STEP 4



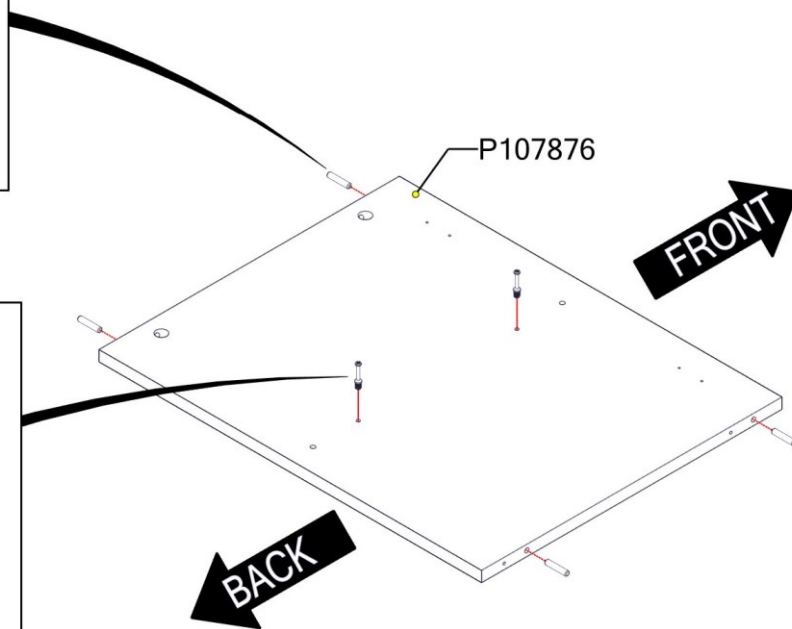
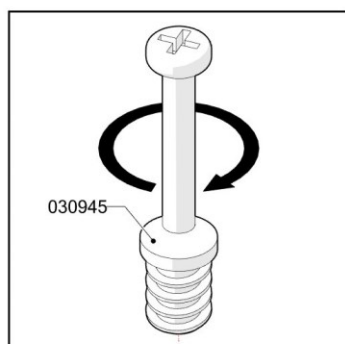
STEP 5



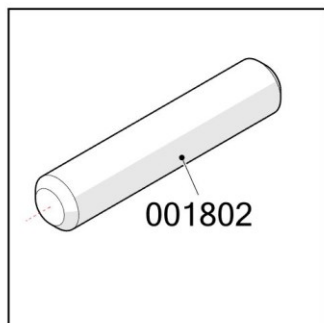
STEP 6



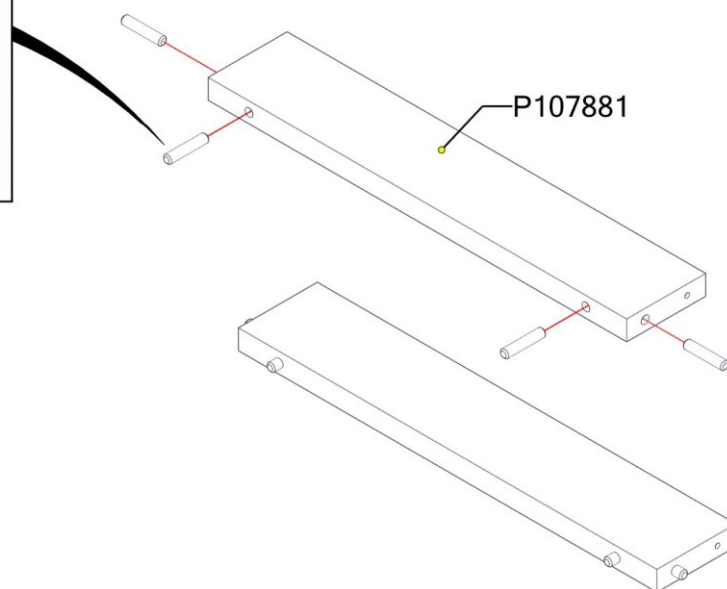
Cód.	Qtde.
001802	4
030945	2



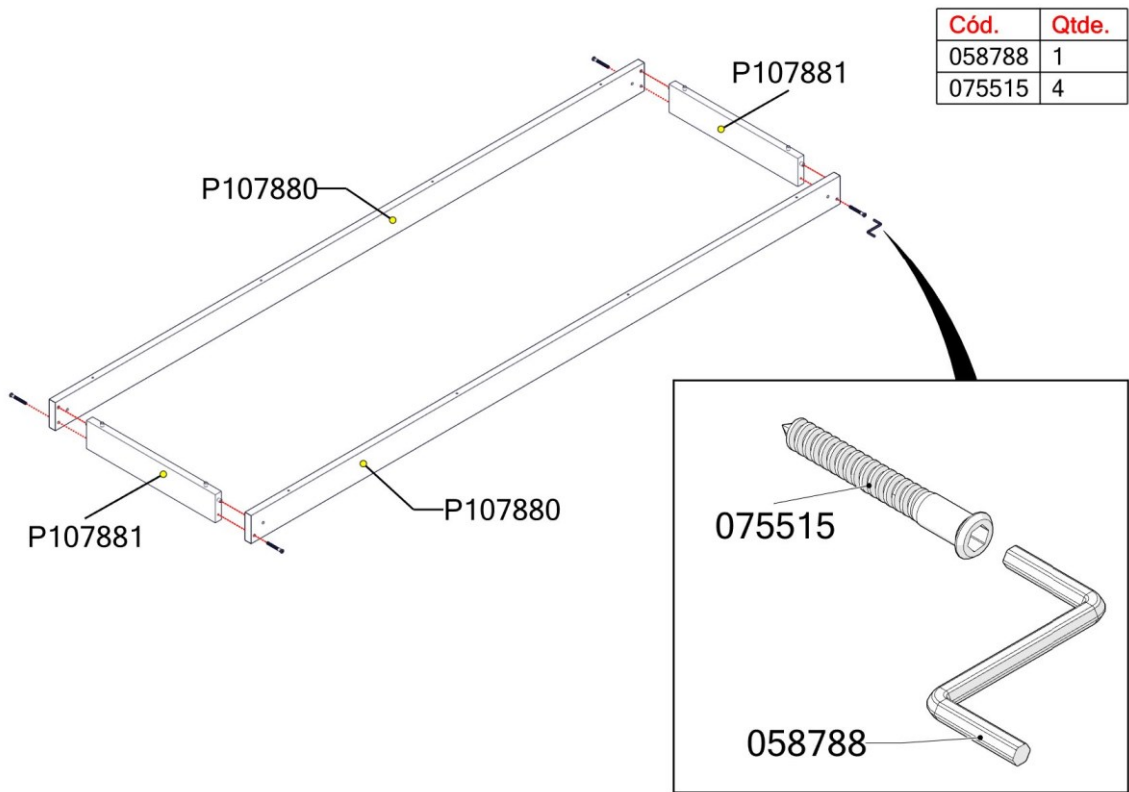
STEP 7



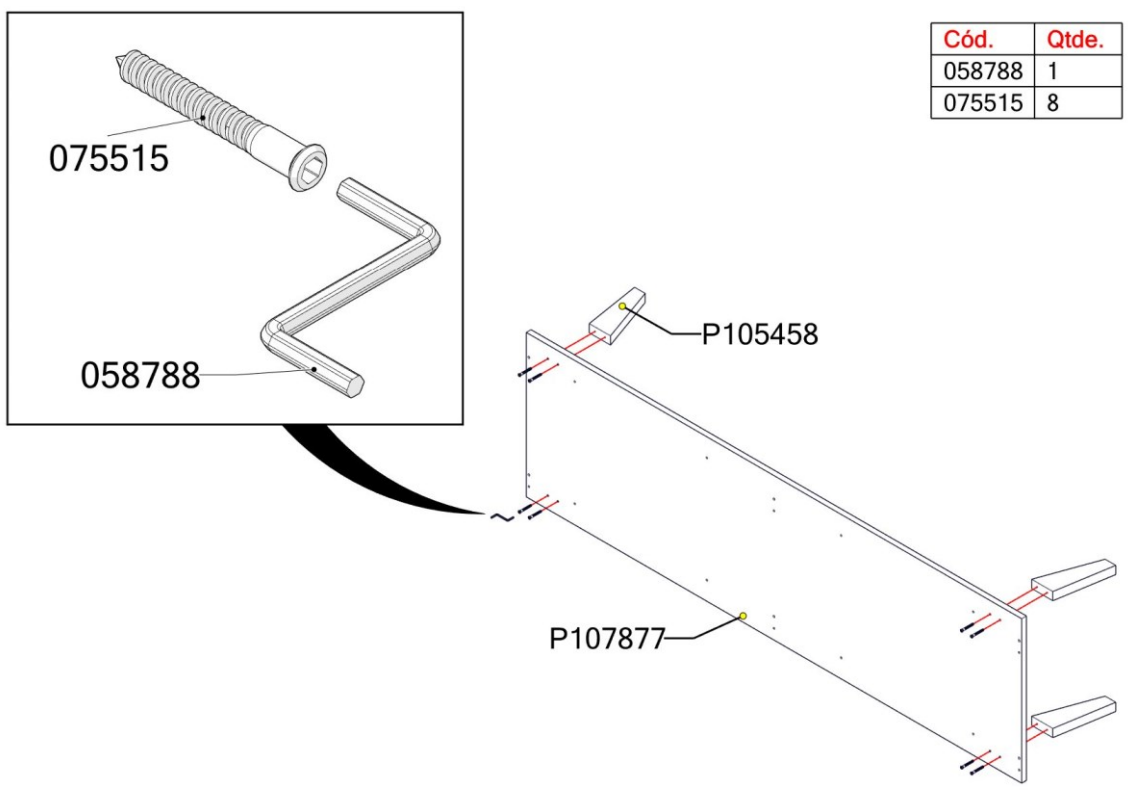
Cód.	Qtde.
001802	8



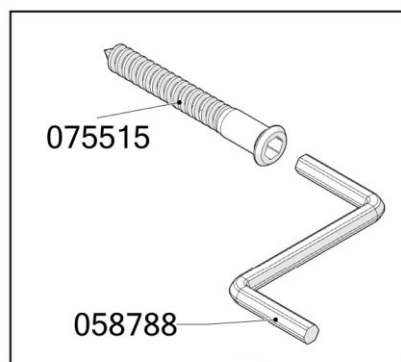
STEP 8



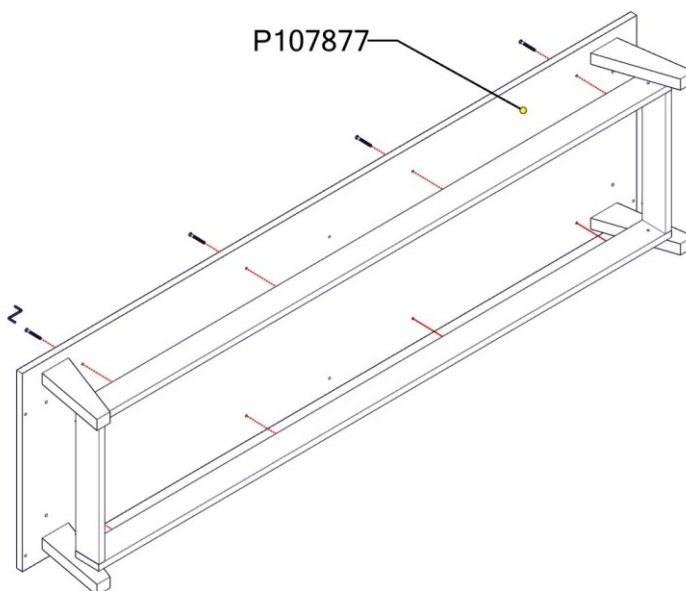
STEP 9



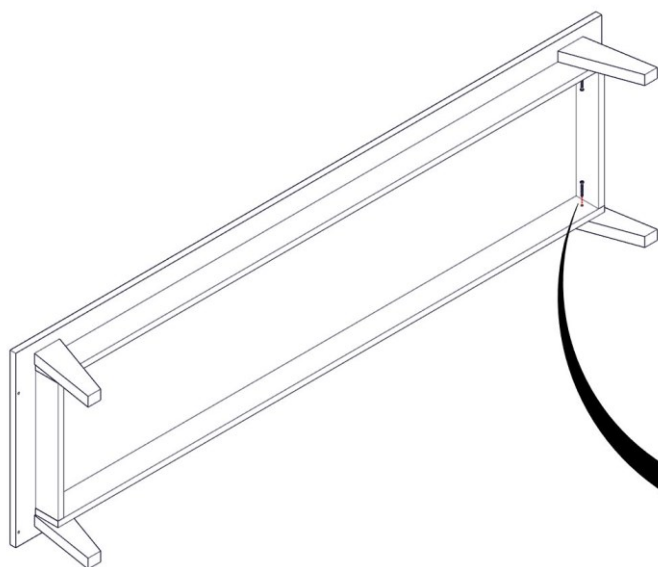
STEP 10



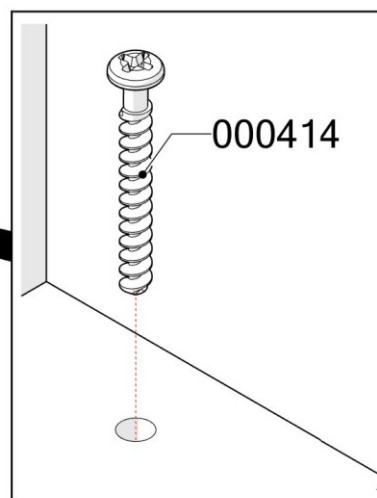
Cód.	Qtde.
058788	1
075515	8



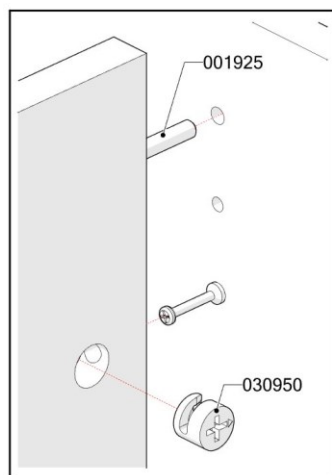
STEP 11



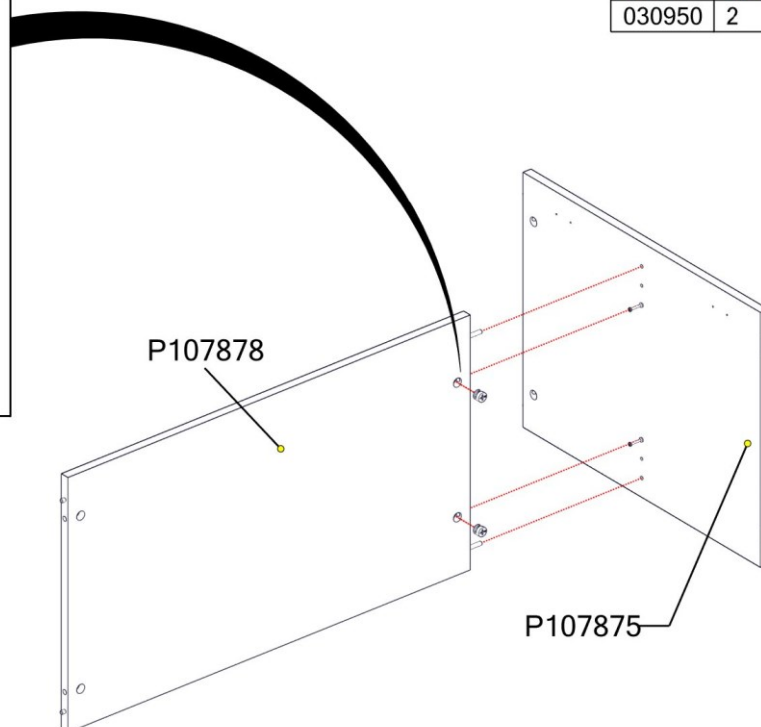
Cód.	Qtde.
000414	4



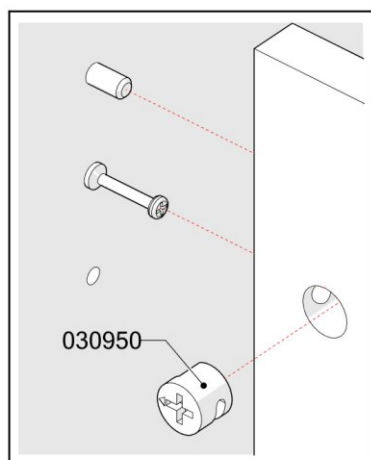
STEP 12



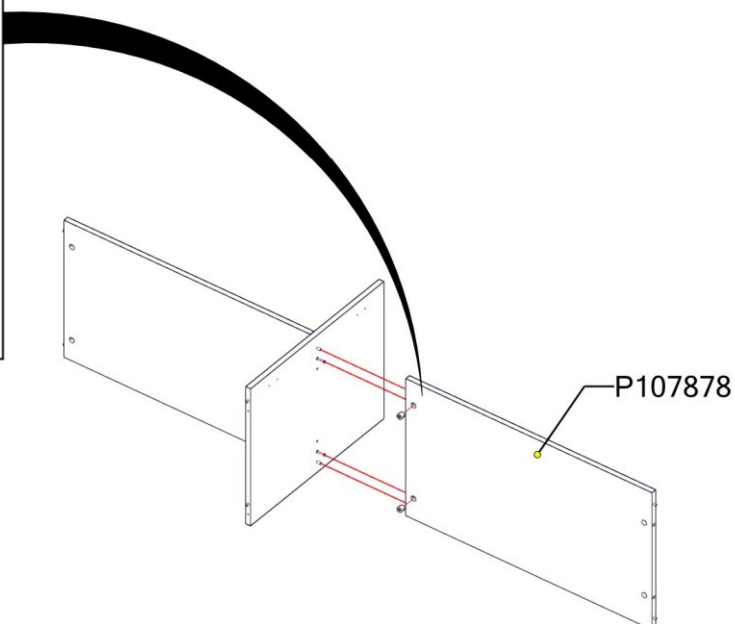
Cód.	Qtde.
030950	2



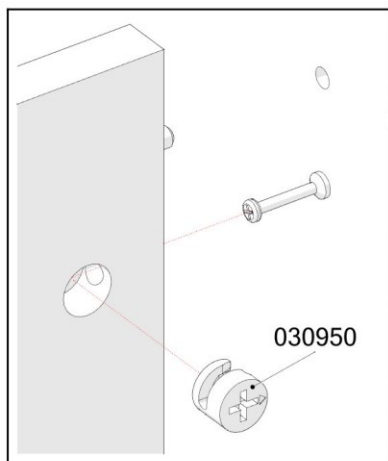
STEP 13



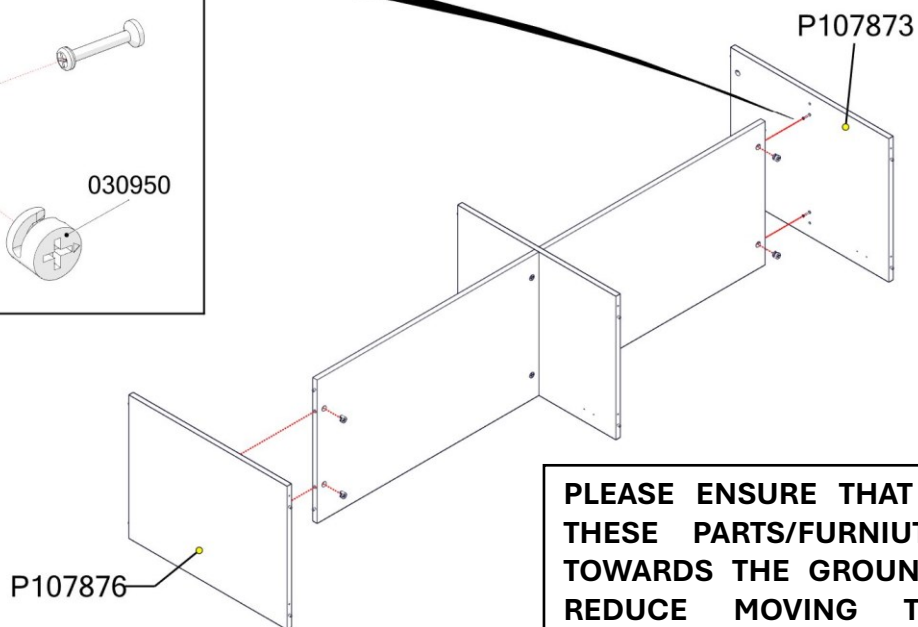
Cód.	Qtde.
030950	2



STEP 14

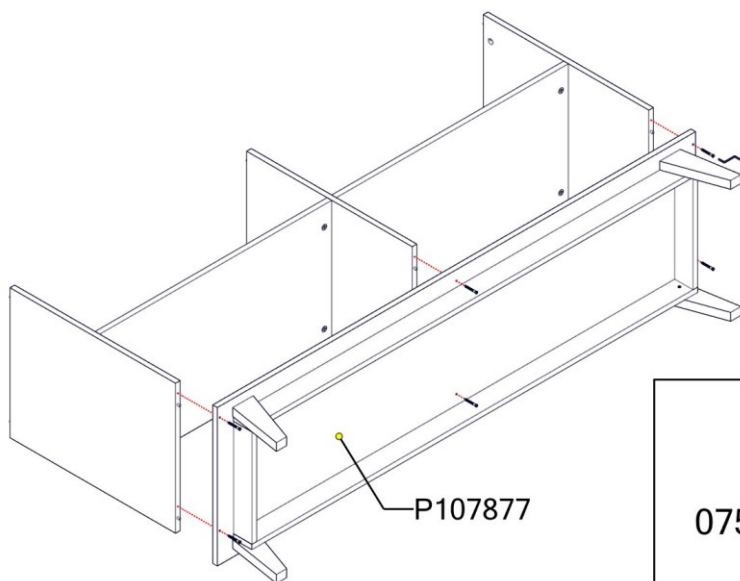


Cód.	Qtde.
030950	4

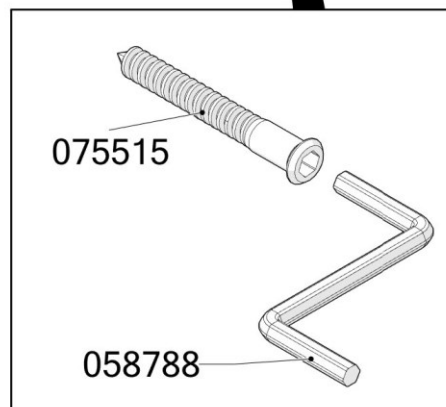


PLEASE ENSURE THAT THE FRONT OF THESE PARTS/FURNITURE IS FACING TOWARDS THE GROUND AS THIS WILL REDUCE MOVING THE FURNITURE AROUND IN FUTURE STEPS.

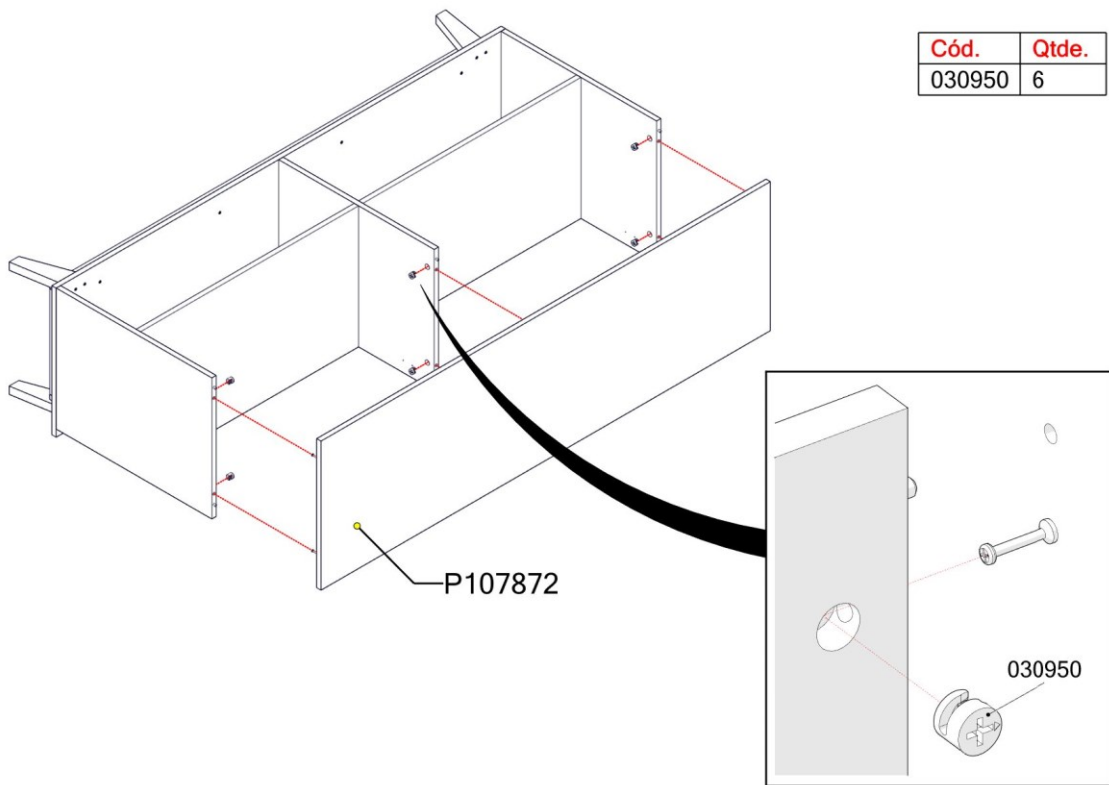
STEP 15



Cód.	Qtde.
058788	1
075515	6



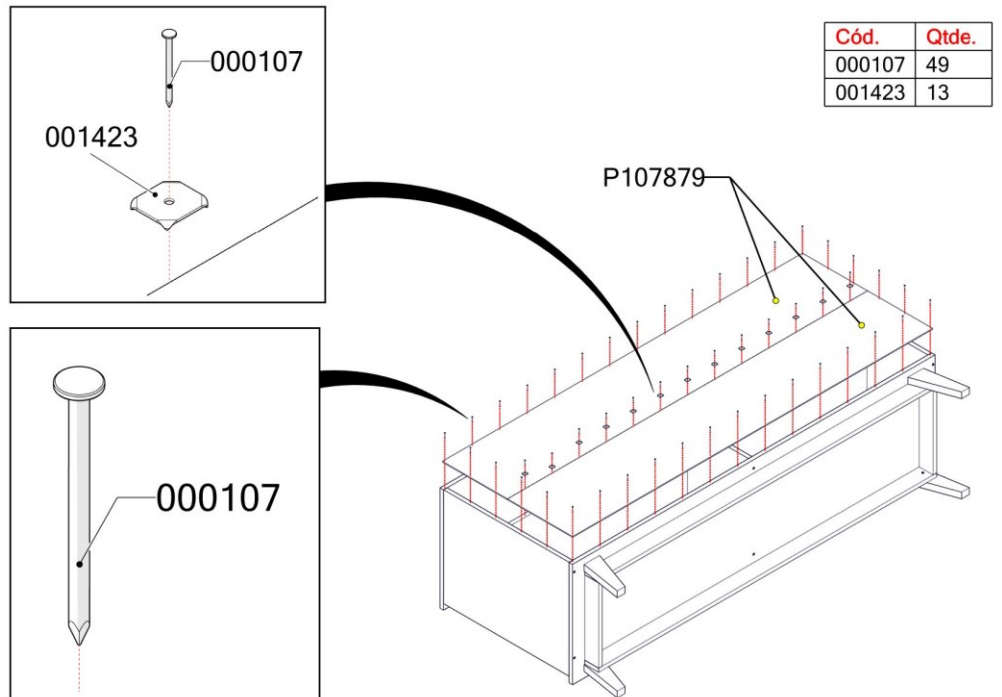
STEP 16



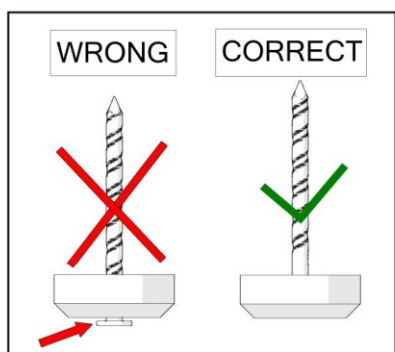
STEP 17

Note: It is essential to place the furniture backing strait/ squared to avoid problems with the functioning and alignment of the doors.

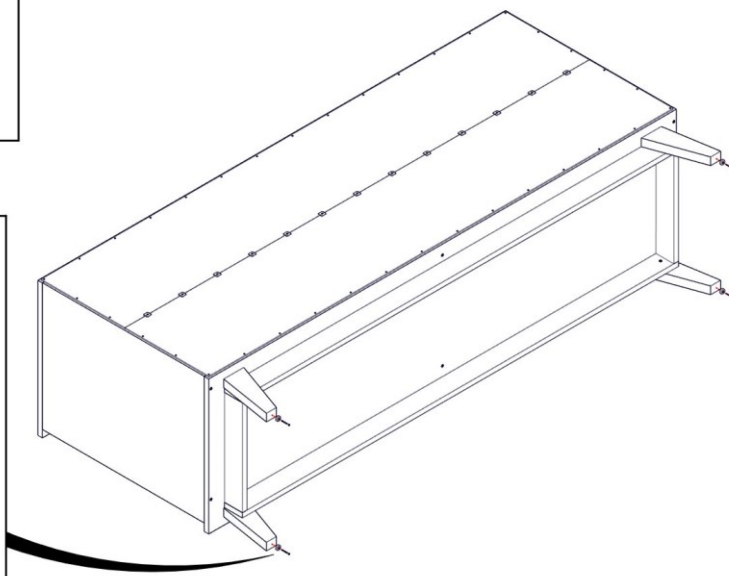
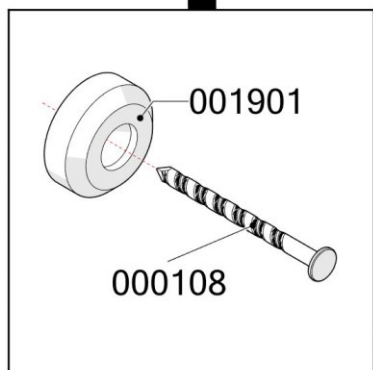
After checking that the back panel is squared to the side and top, nail the back panel in place.



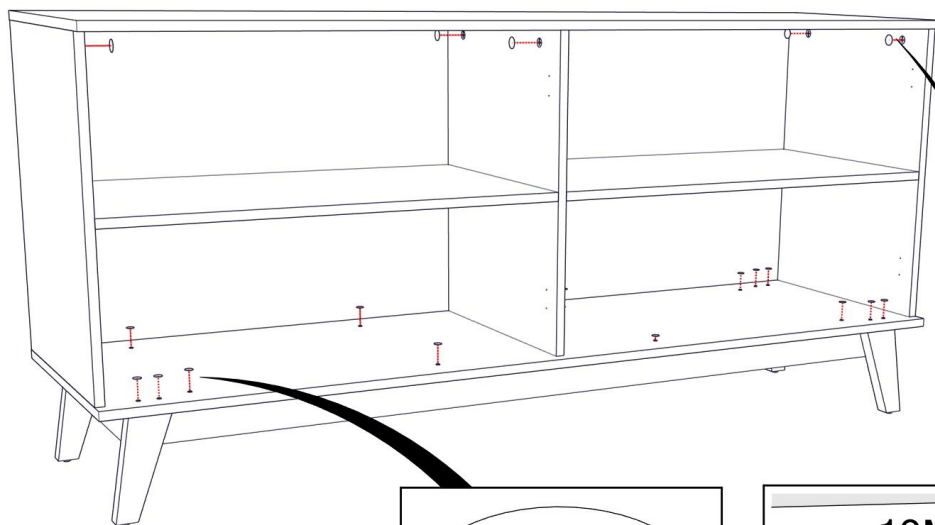
STEP 18



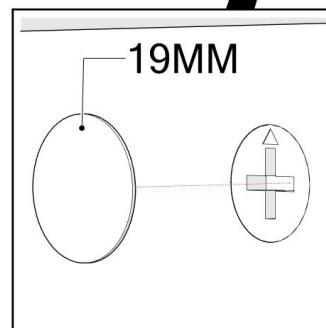
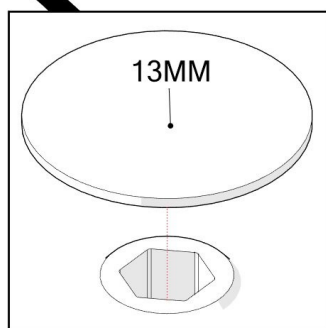
Cód.	Qtde.
000108	4
001901	4



STEP 19

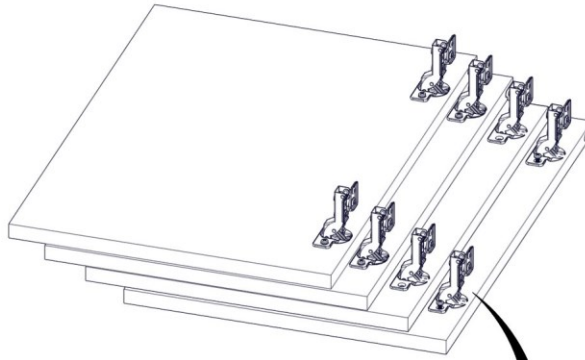


Cód.	Qtde.
13MM	16
19MM	6



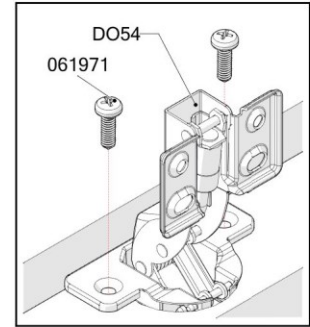
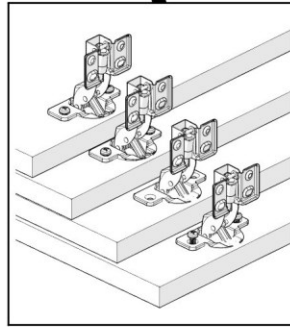
STEP 20

The drawer fronts are found in a separate box

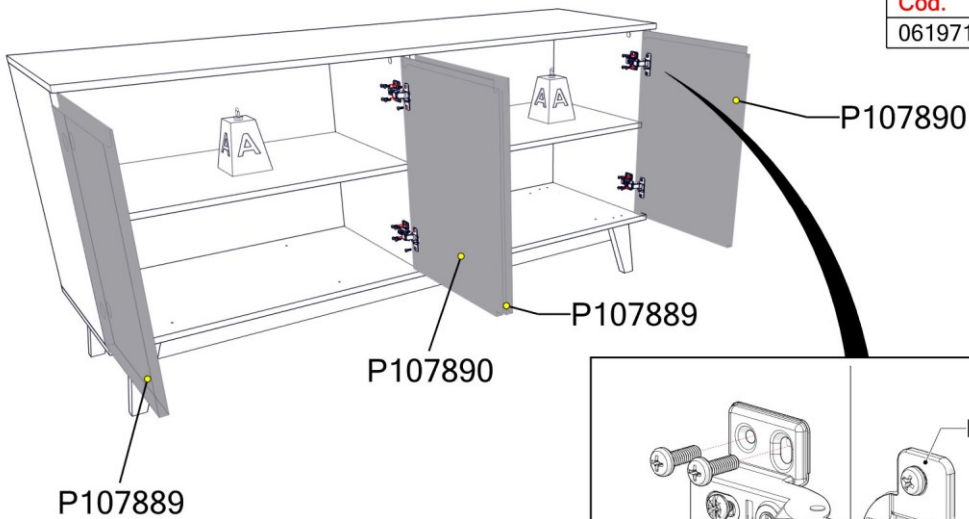


Cód.	Qtde.
061971	16
DO54	8

We recommend that you use the doors to align the hinges before fully attaching them!



STEP 21

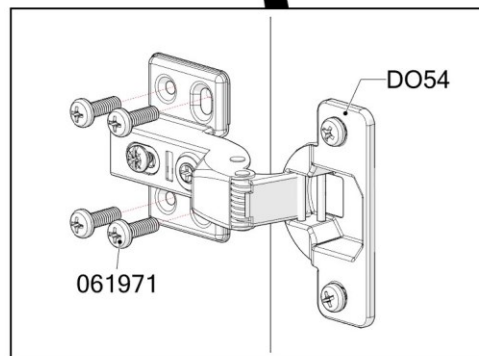


Cód.	Qtde.
061971	32

Weight supported

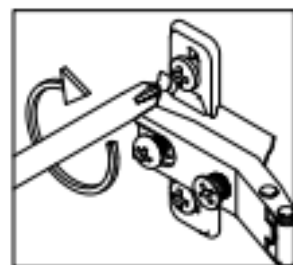
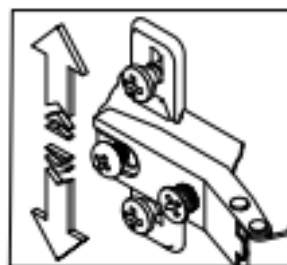
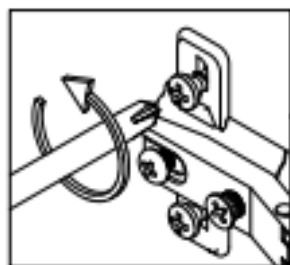
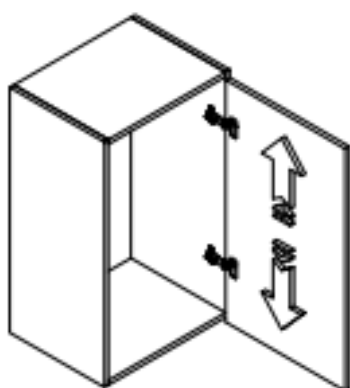
Maximum load weight illustrated in the drawing distributed from uniform way.

	KG	LB
A	7	15,43



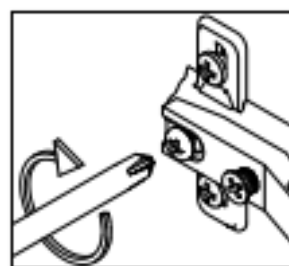
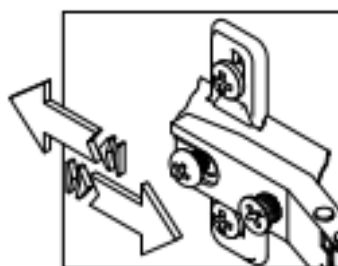
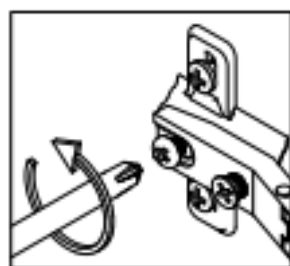
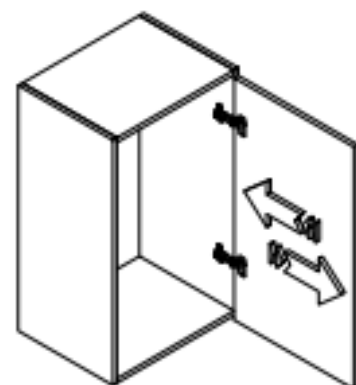
VERTICAL ADJUSTMENT

ILLUSTRATIVE



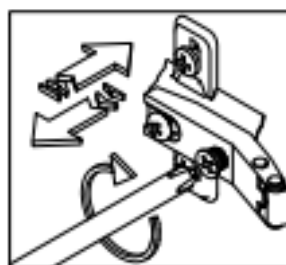
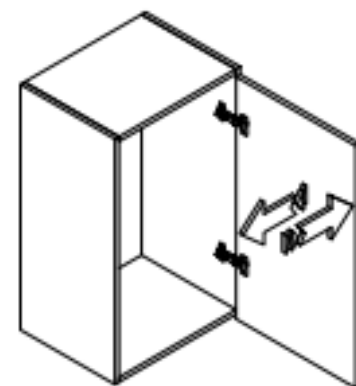
DEPTH ADJUSTMENT

ILLUSTRATIVE



HORIZONTAL ADJUSTMENT

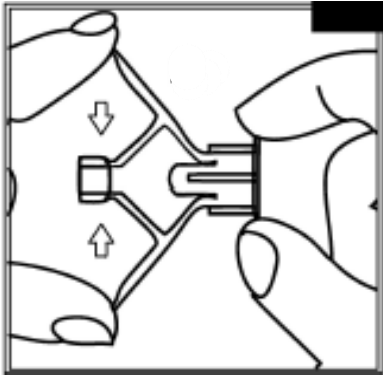
ILLUSTRATIVE



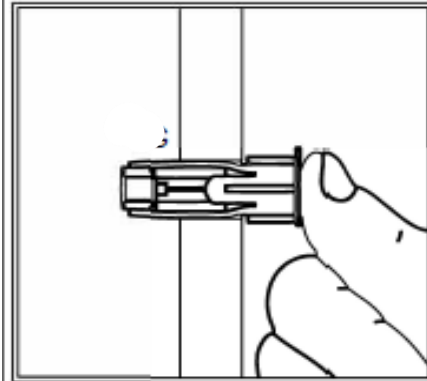
STEP 22

NOTE: Do not turn the DRYWALL ANCHOR into a 10 fasten the SAFETY ANTI-TIPPING

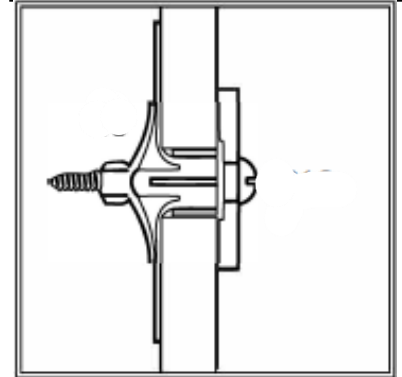
Compress the wings of anchor before inserting.



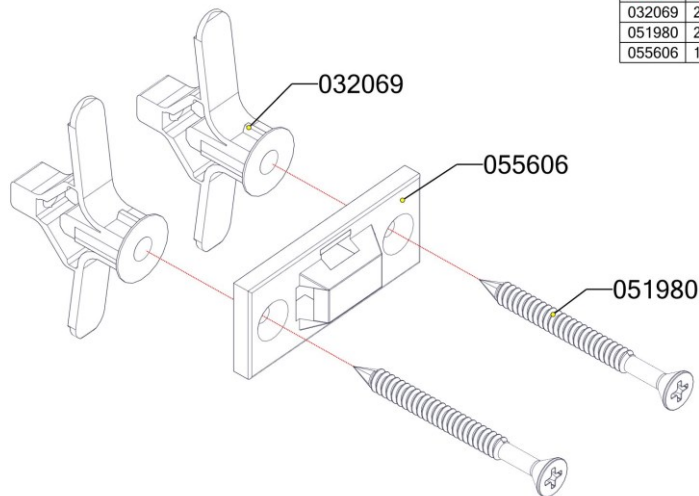
Insert the chuck into the hole of the base material.



Position the object over the bushing and secure it with a screw.



Cód.	Qtde.
032069	2
051980	2
055606	1



Important

The minimum length of the screw must be the bushing length + object thickness that will be fixed.

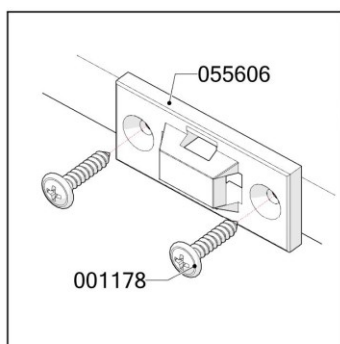
To guarantee the wing expansion function of the bushing, after the screw head is at the object to be fixed, one must continue to rotate the screw until maximum torque is reached.

Pierce the base material a 0.39 in. drill.



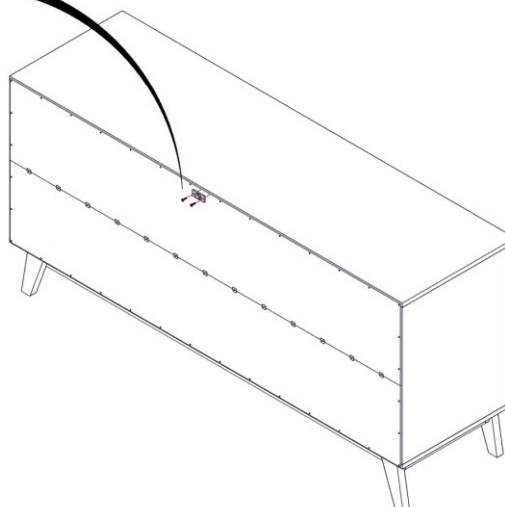
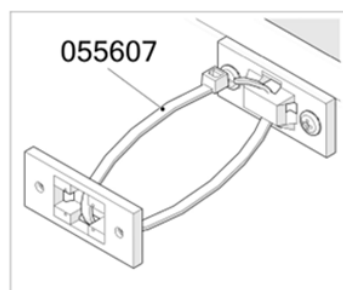
STEP 23

1ST



Cód.	Qtde.
001178	2
055606	1
055607	1

2ND



A WARNING – Anti-Tip Advisory

Potential of serious fatal crushing injuries may occur from furniture tip-over. To help prevent tip-over:

ALWAYS INSTALL the tip-over restrain that came with your furniture. This tip-over restrains only reduces but does NOT completely eliminate the risk of tip-over

- ALWAYS Place the heaviest items in the lowest/bottom drawer.
- NEVER place heavy objects on top of this product.
- NEVER allow children to scale/climb/hang on the drawers, doors, or shelves.
- NEVER open more than one drawer at a time.

B ADVERTENCIA - Aviso antivuelco

Pueden producirse lesiones graves por aplastamiento mortales debido al vuelco de los muebles. Para ayudar a prevenir vuelcos:

- SIEMPRE INSTALE el sistema de retención que viene con sus muebles. Este sistema antivuelco solo reduce pero NO elimina por completo el riesgo de vuelco.
- SIEMPRE coloque los artículos más pesados en el cajón más bajo /inferior.
- NUNCA coloque objetos pesados encima de este producto.
- NUNCA permita que los niños escalen, trepen o se cuelguen de los cajones, puertas o estantes.
- NUNCA abra más de un cajón a la vez