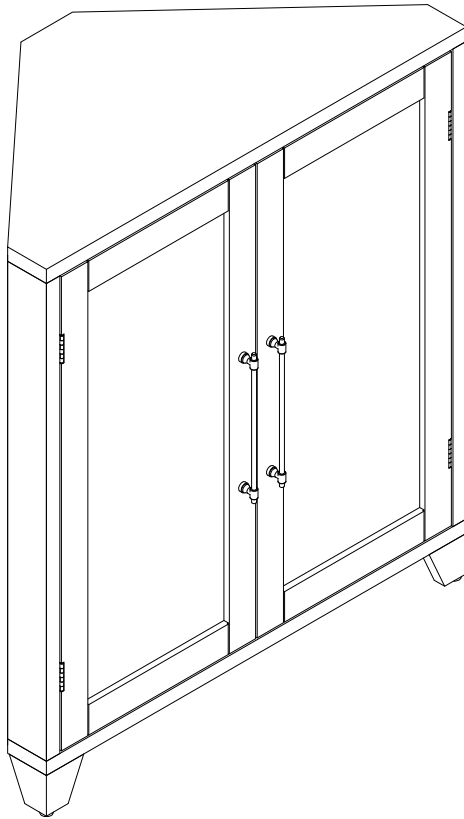


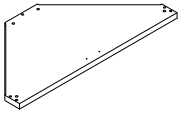
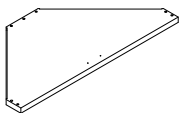
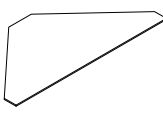
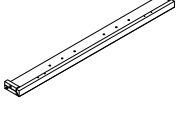
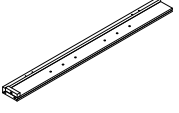
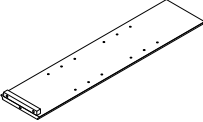
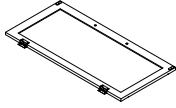
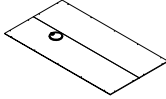


# CROSLLEY

FURNITURE

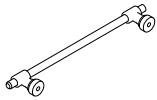
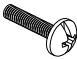
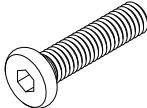
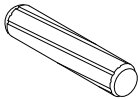

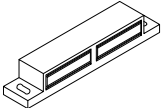

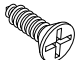
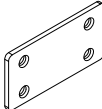

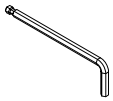

## Stackable Corner Kitchen Storage Pantry CF3132



# PART LIST

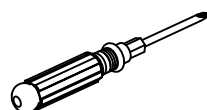
				
<p>Top Panel 1 PC</p>	<p>Bottom Panel 1 PC</p>	<p>Adjustable Shelf 2 PCS</p>	<p>Left Panel 1 PC</p>	<p>Right Panel 1 PC</p>
				
<p>Middle Back Panel 1 PC</p>	<p>Door 2 PCS</p>	<p>Back Panel 2 PCS</p>	<p>Leg 2 PCS</p>	<p>Support Leg 1 PC</p>

# HARDWARE LIST

	 $\text{Ø}5/32" \times 19\text{mm}$	 $\text{Ø}1/4" \times 1"$	 $\text{Ø}8 \times 30\text{mm}$	
<p>Handle 2 PCS</p>	<p>Round Head Bolt 4 PCS (Extra 1)</p>	<p>Bolt 10 PCS</p>	<p>Wood Dowel 12 PCS (Extra 1)</p>	<p>Shelf Holder 8 PCS (Extra 1)</p>
	 $\text{Ø}3 \times 16\text{mm}$	 $\text{Ø}3 \times 14\text{mm}$		 $\text{Ø}3 \times 10\text{mm}$
<p>Double Magnet 2 PCS</p>	<p>Long Screw 4 PCS</p>	<p>Short Screw 8 PCS (Extra 1)</p>	<p>Connecting Bar 2 PCS</p>	<p>Round Head Screw 40 PCS (Extra 1)</p>
				
<p>Allen Wrench 1 PC</p>	<p>Safety Strap Kit 1 SET</p>			

## ADDITIONAL TOOLS (Not Provided)

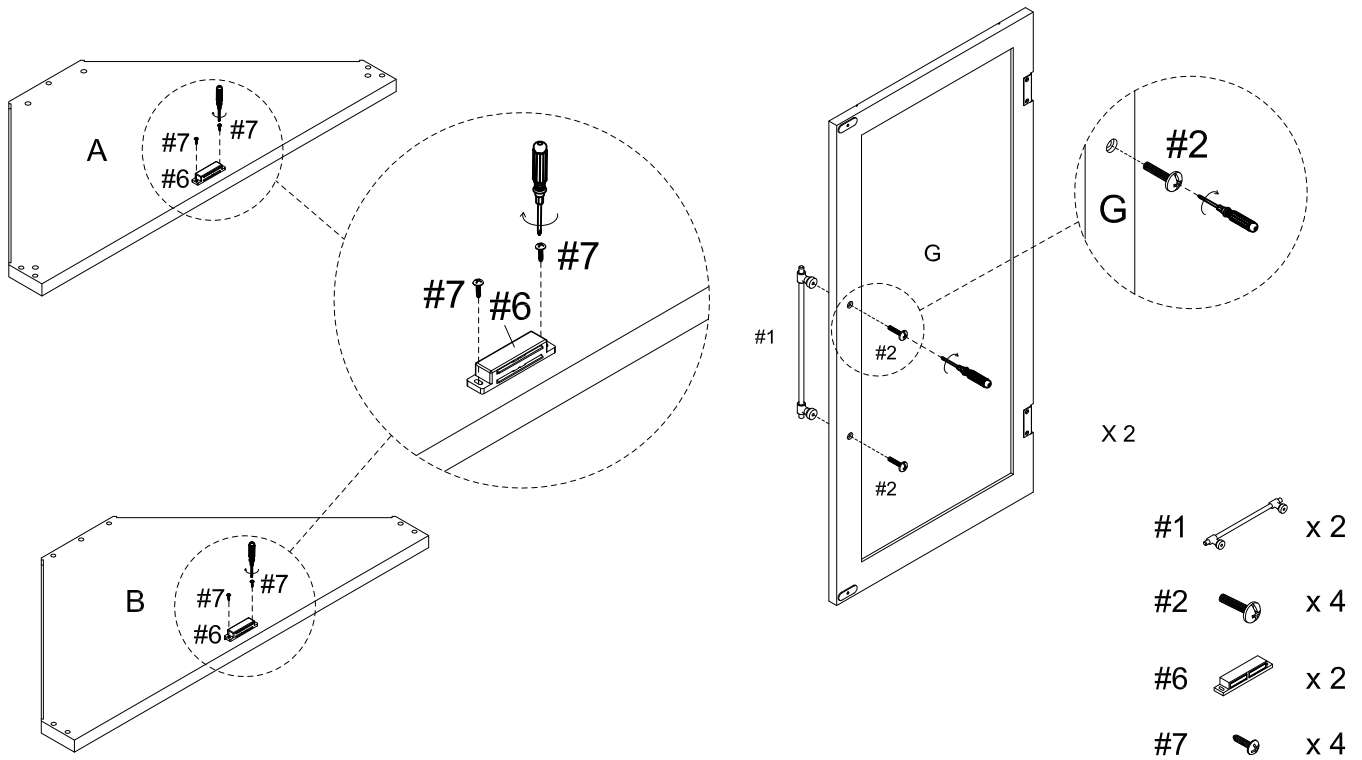
Note: It is not recommended to use power tools during assembly.



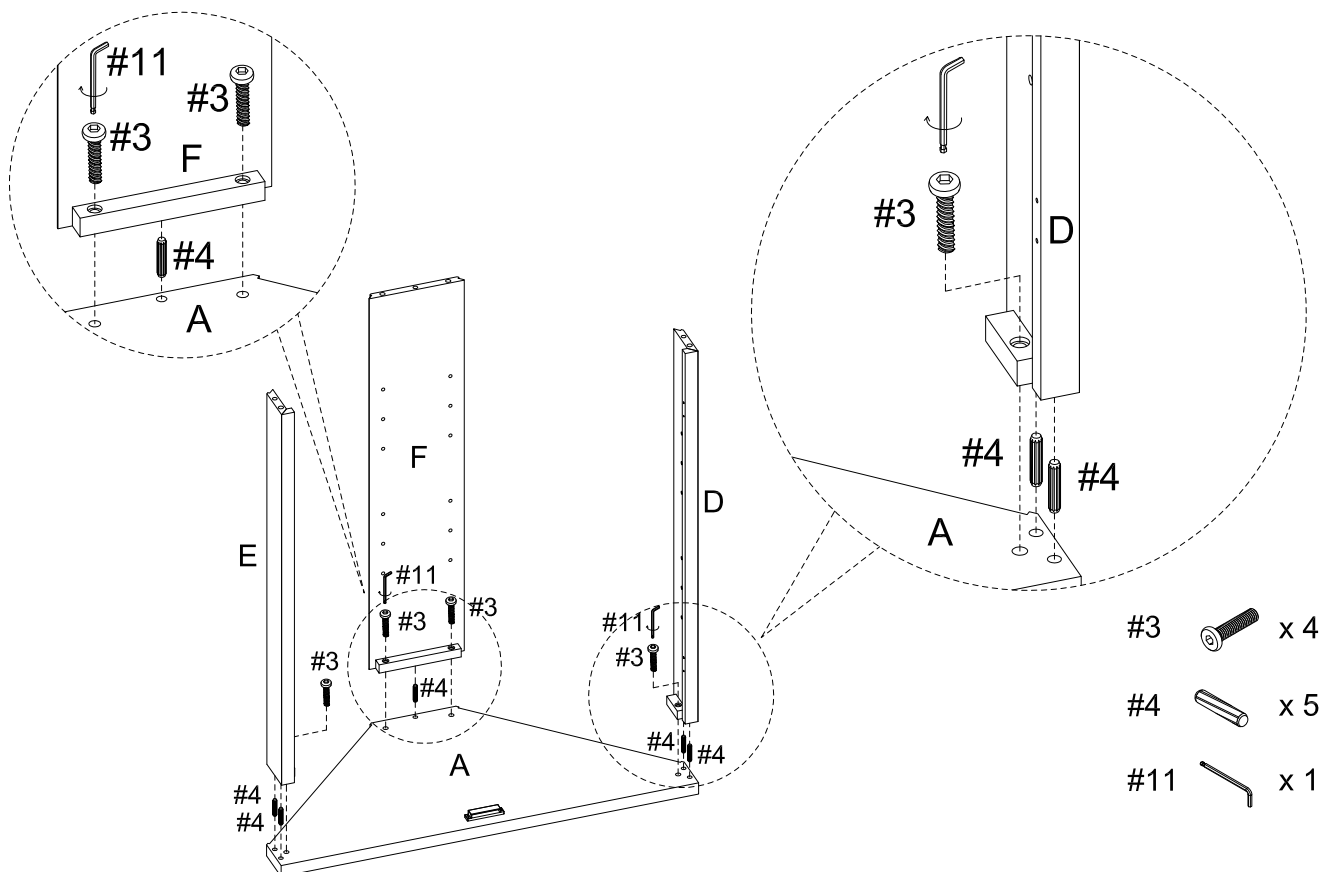
Phillips Head Screwdriver

Note: Wood dowels are intended for alignment. Additional clearance between wood dowel and pre-drilled hole is intentional for ease of assembly.

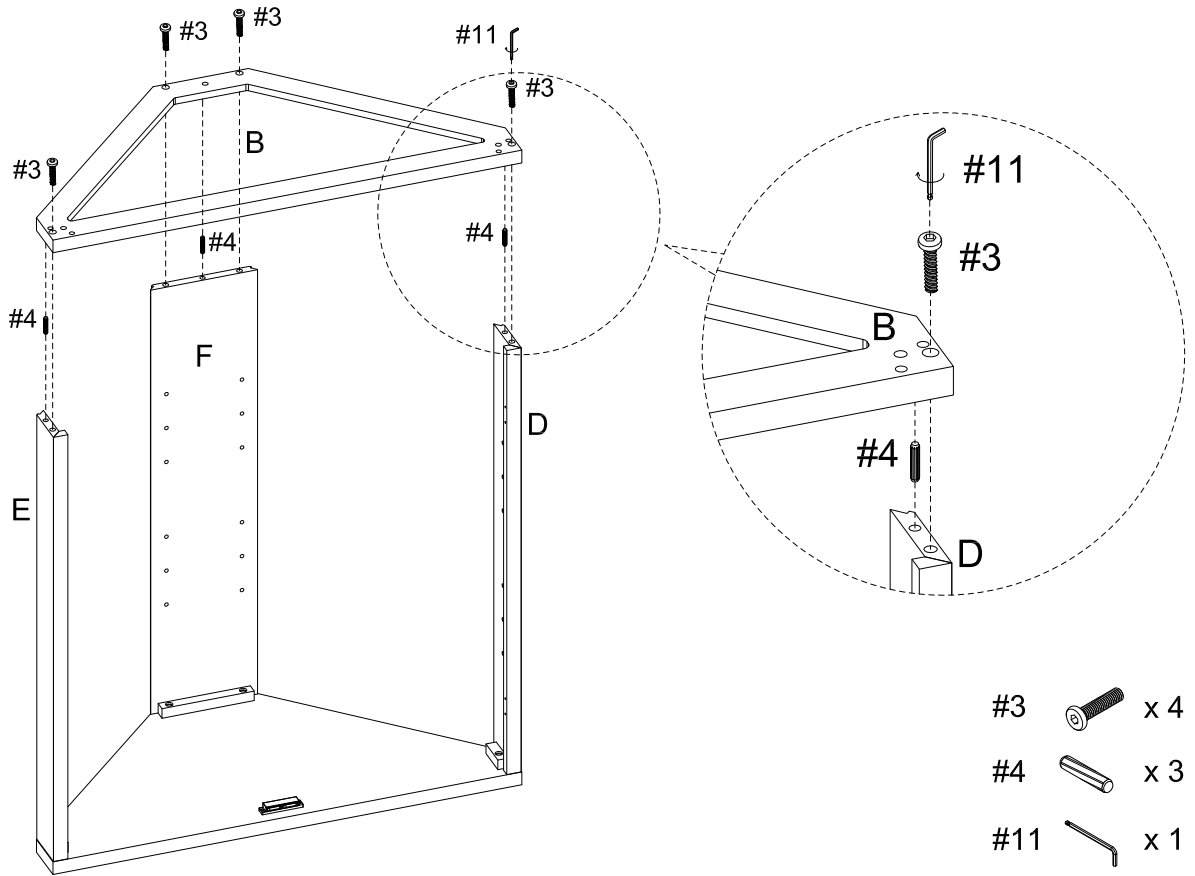
Step 1. Attach double magnets (part #6) to top panel (part A) and bottom panel (part B) using long screws (part #7) and phillips head screwdriver. Attach handle (part #1) to doors (part G) using round head bolts (part #2) and phillips head screwdriver.



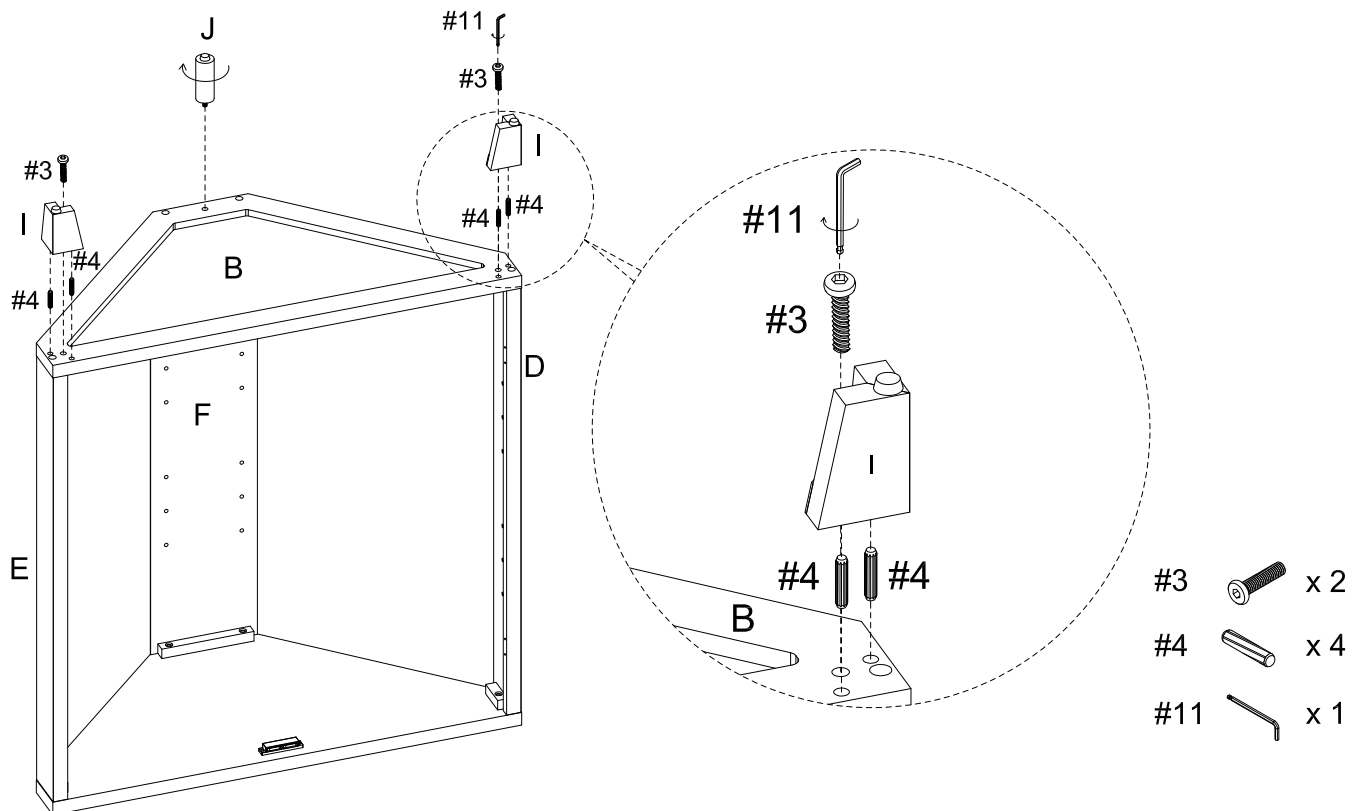
Step 2. Attach panels (parts D, E & F) to top panel (part A) using bolts (part #3), wood dowels (part #4) and allen wrench (part #11).



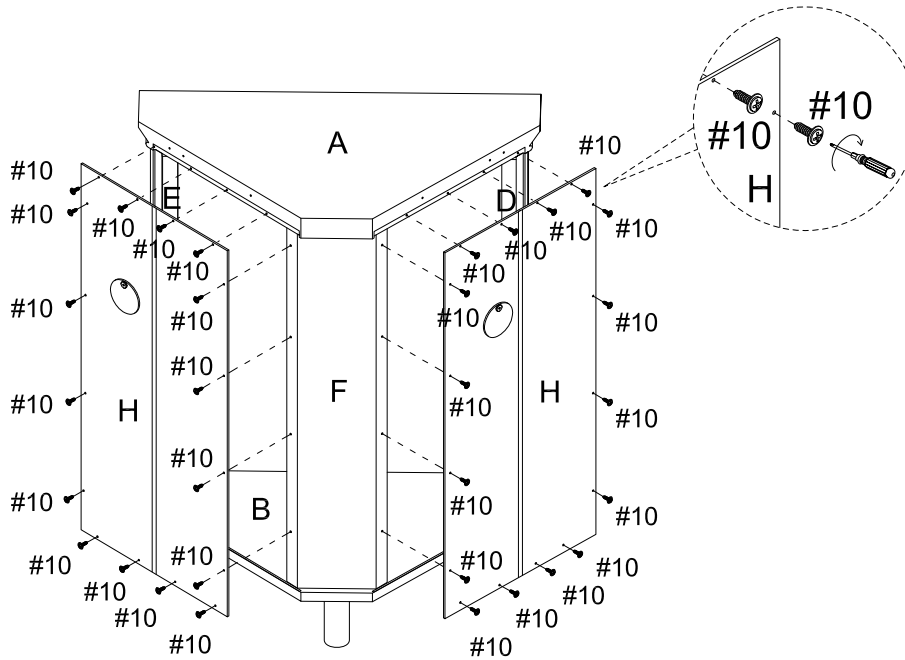
Step 3. Attach bottom panel (part B) to assembled unit (parts D, E & F) using bolts (part #3), wood dowels (part #4) and allen wrench (part #11).



Step 4. Attach legs (part I) and support leg (part J) to bottom panel (part B) using bolts (part #3), wood dowels (part #4) and allen wrench (part #11).

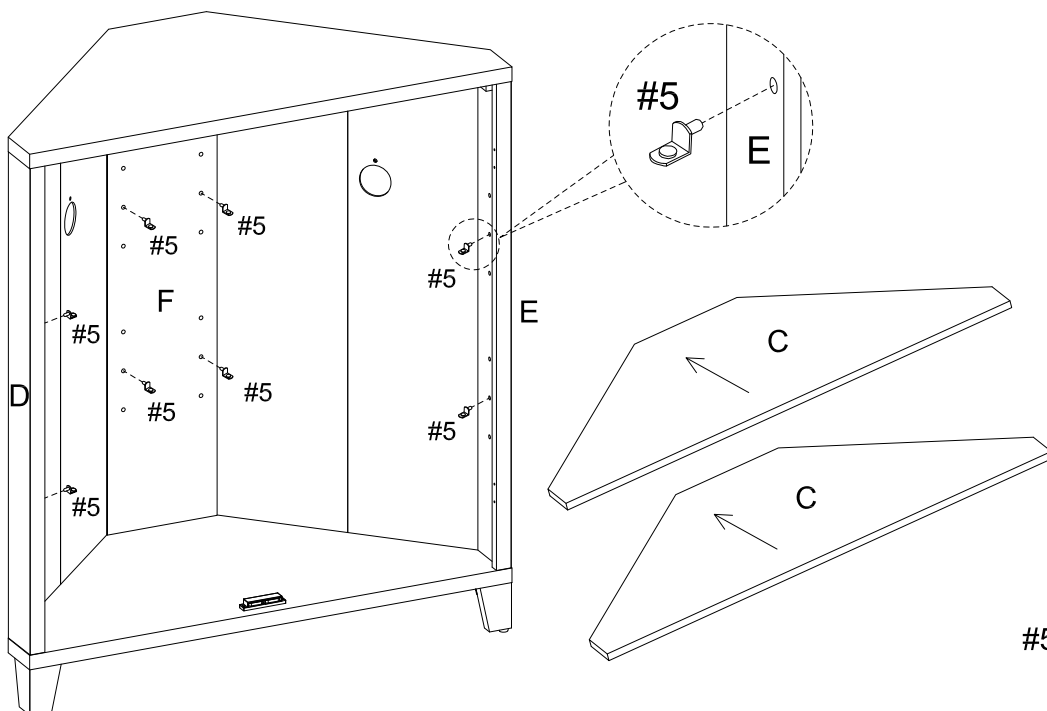


Step 5. Carefully turn unit upright. Attach back panels (part H) to assembled unit (parts A, B, D, E & F) using round head screws (part #10) and phillips head screwdriver.



#10  x 32

Step 6. Place shelf holders (part #5) into desired position and slide adjustable shelves (part C) into place.

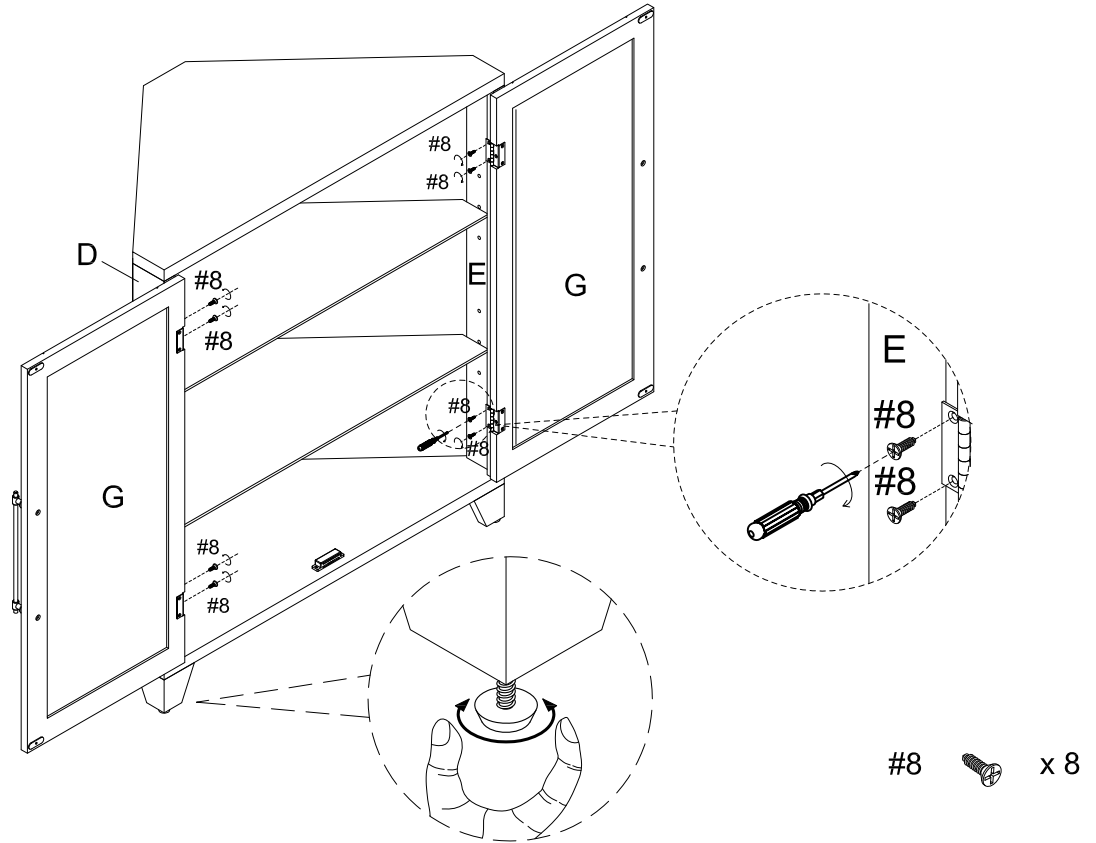


#5  x 8

Step 7. Attach doors (part G) to assembled unit (parts D & E) using short screws (part #8) and phillips head screwdriver.

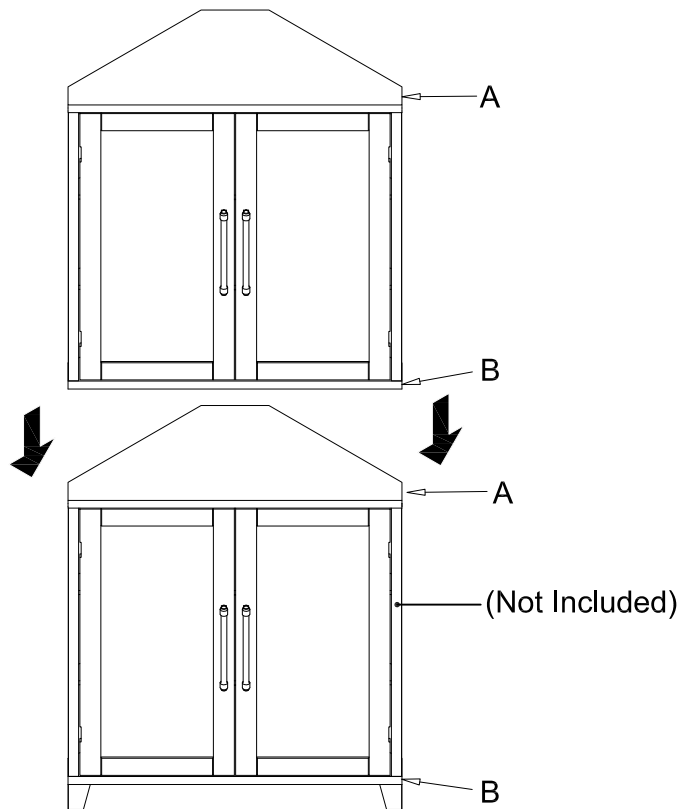
Note: It is important to adjust levelers once fully assembled and upright. Extend adjustable leveler until it's firmly in contact with the floor. If relocating, adjust leveler as needed until it's firmly in contact with the floor in new location.

Important: Safety strap kit (part #12) must be installed to prevent tipping, damage and/or injury.

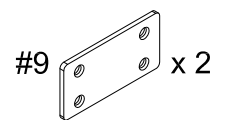
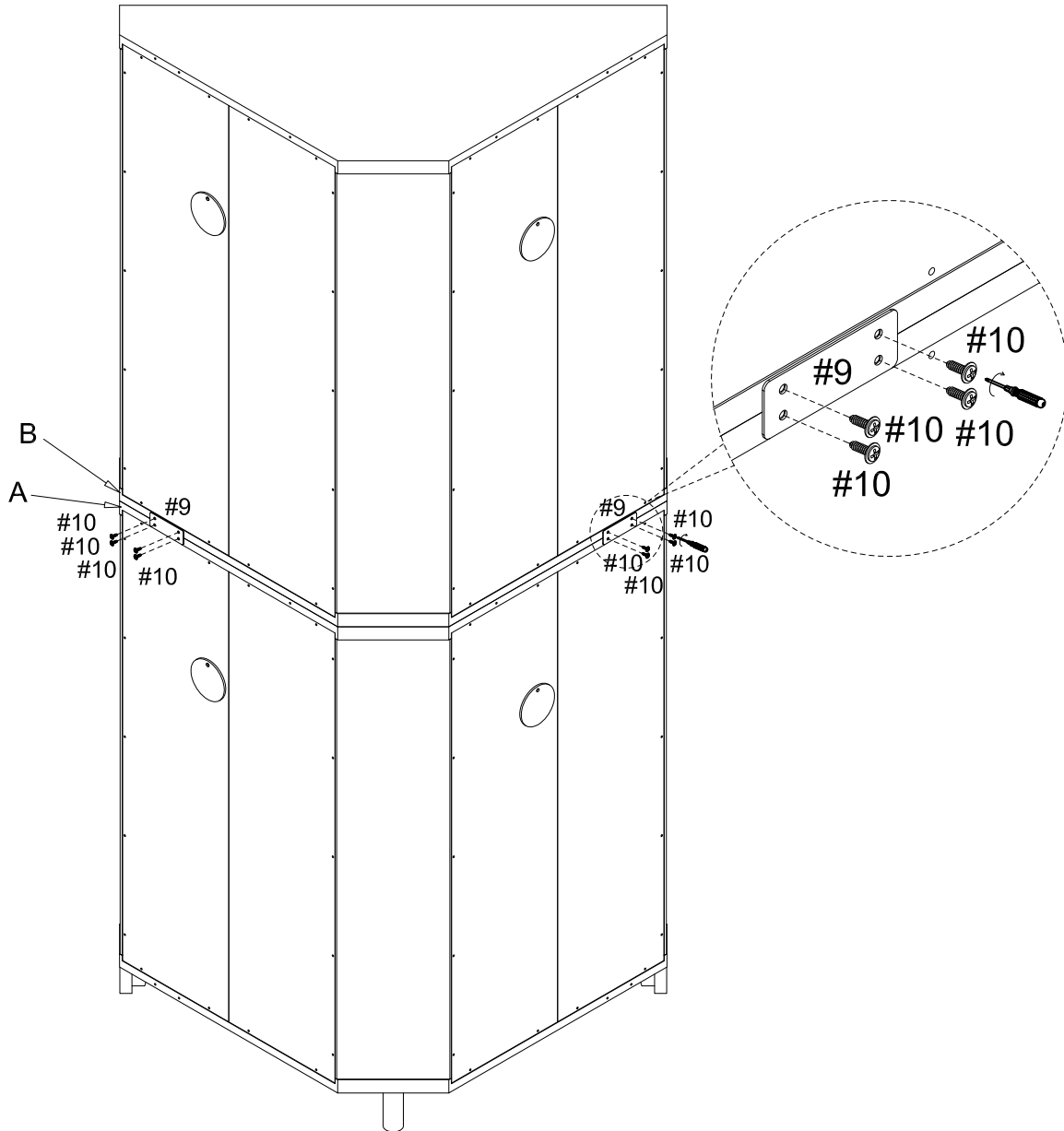






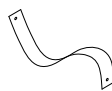

Step 8. Place units together by lining up panels (parts A & B).

Note: Please remove the legs from unit before stacking.



Step 9. Attach connecting bars (part #9) to panels (parts A & B) using round head screws (part #10) and phillips head screwdriver.



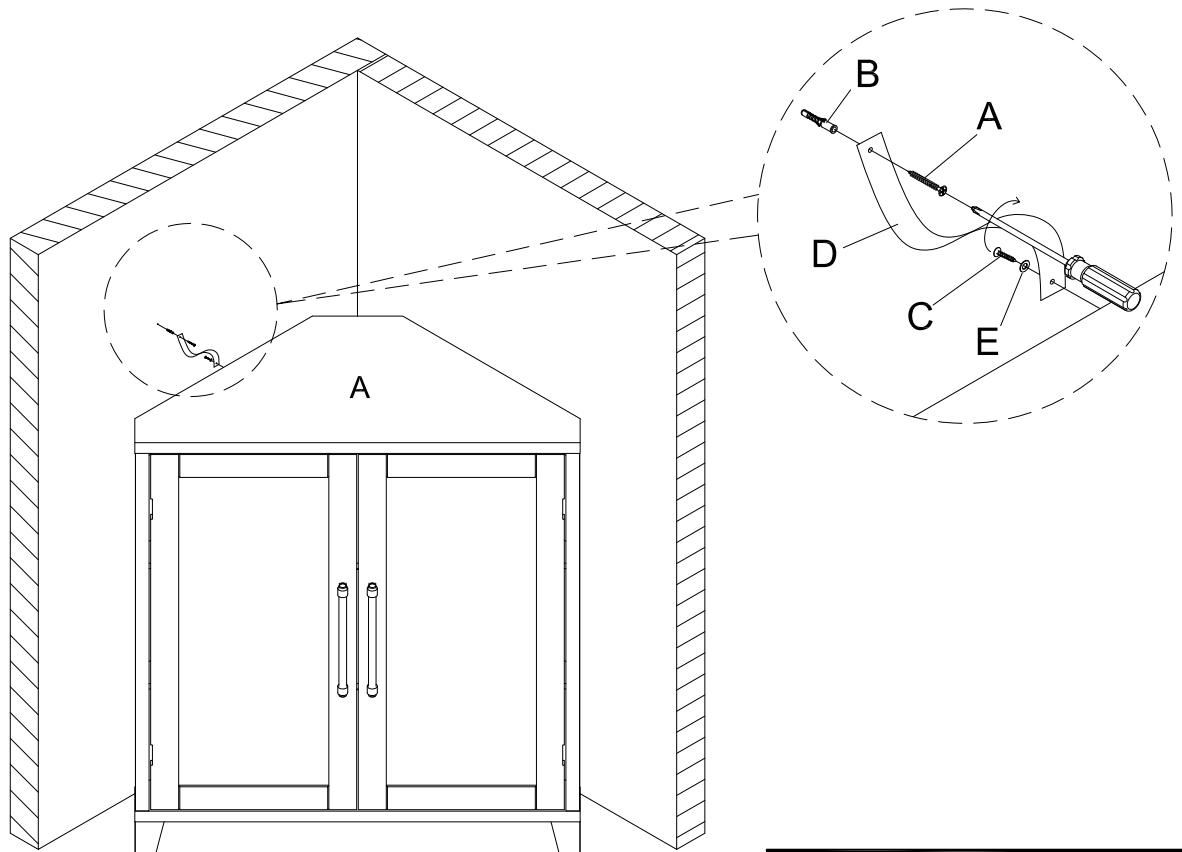
#12	A	B	C	D	E
	 1-1/2"xØ4xD8		 5/8"xØ3xD8		
Safety Strap Kit 1 SET	Long Screw 1 PC	Wall Anchor 1 PC	Short Screw 1 PC	Safety Wall Strap 1 PC	Flat Washer 1 PC

## SAFETY WALL STRAP INSTALLATION

Note: It is highly recommended to install this safety strap kit to prevent tipping, damage and/or injury

1. Insert short screw (C) through flat washer (E) and safety wall strap (D) and attach to top panel (part A) using phillips head screwdriver.
2. Drill a 1 1/32" hole where you want to secure the unit. The drilled hole will be at the same height as the hole in top panel (part A) where safety wall strap (D) is attached. Tap wall anchor (B) into the hole.
3. Insert long screw (A) through safety wall strap (D) into wall anchor (B) using phillips head screwdriver.

Note: This item is not intended for clothing storage use.



**⚠ WARNING**




Children have died from furniture tipover. To reduce the risk of furniture tipover:

- . ALWAYS install tipover restraint provided.
- . NEVER put a TV on this product.
- . NEVER allow children to stand, climb or hang on drawers, doors, or shelves.
- . NEVER open more than one drawer at a time.
- . Place heaviest items in the lowest drawers.

*This is a permanent label.  
Do not remove!*