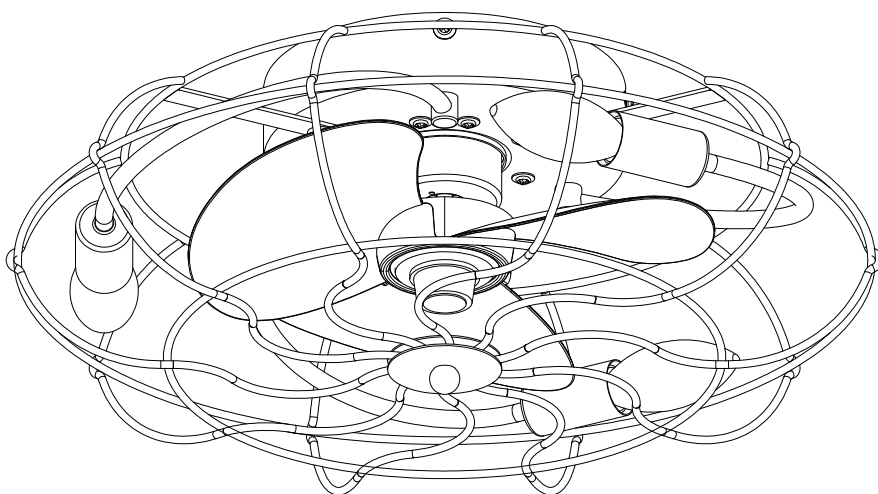


# INSTALLATION MANUAL

## CEILING FAN WITH LIGHTS

Model No.: CFL-1095-03



### TOOLS REQUIRED



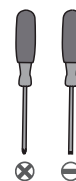
Ladder



Pliers



Wire Strippers



Screwdrivers



Scan for Installation Video

# Safety Rules

1. Be sure the power to the wires you are working on is disconnected, either the fuse is removed or the circuit breaker is turned off. Turning the power off using the light switch is not sufficient to prevent electrical shock.
2. A qualified licensed electrician is required for the installation.
3. The outlet box and support structure must be securely mounted and capable of reliably /supporting a minimum of 70 pounds. Use only UL (cUL for Canadian Installation) listed mounting boxes marked "FOR FAN SUPPORT".
4. The fan must be mounted with a minimum of 7 feet clearance from the trailing edge of the blades to the floor.
5. Do not operate reversing switch while fan blades are in motion (if applicable). Fan must be turned off and blades stopped before reversing blade direction.
6. Do not place any objects in the path of the blades.
7. To avoid personal injury or damage to the fan and other items, be cautious when working around or cleaning the fan.
8. Do not use water or detergents when cleaning the fan or fan blades. A dry dust cloth or lightly dampened soft cloth will be suitable for the cleaning.
9. After marking electrical connections, spliced conductors should be turned upward and pushed carefully up into outlet box. The wires should be spread apart with the grounded conductor on one side of the outlet box.
10. Electrical diagrams are reference only, different fan light may have different light shade and bulbs.
11. Use only our replacement parts. This equipment has been tested and found to comply with the limits for a class B digital device, pursuant to part 15 of the FCC Rules. These limits are to provide reasonable protection against harmful interference in a residential installation. This equipment generates, uses and can radiate radio frequency energy and if not installed and used in accordance with the instructions may cause harmful interference to radio communications.

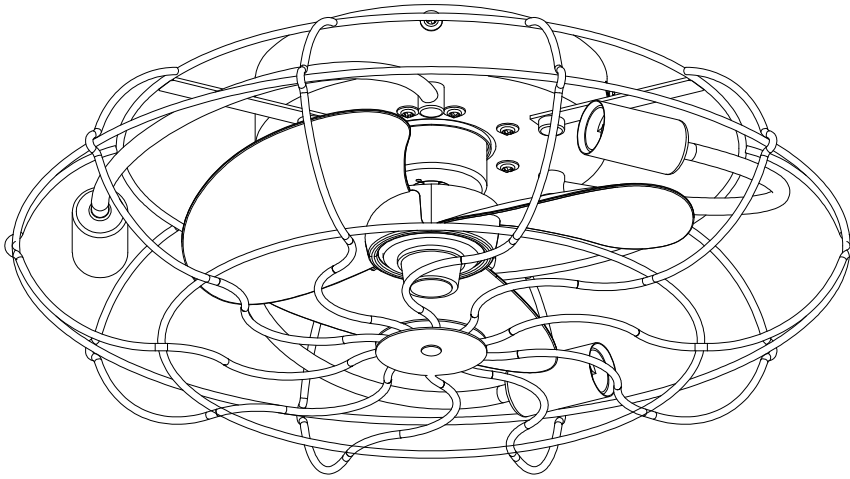
## **Warning:**

To reduce the risk of personal injury, use only the two steel screws and washers provided with the outlet box for mounting to the outlet box. Most outlet boxes commonly used for the support of lighting fixtures are not acceptable for fan support and need to be replaced, consult a qualified electrician if in doubt.

To reduce the risk of fire, electric shock or person injury, mount fan to outlet box marked "acceptable for fan support".



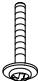


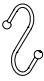




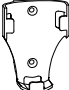



To reduce the risk of personal injury, do not bend the blade brackets (also referred to as flanges) during assembly or after installation. Do not insert objects in the path of the blades.

# PACKING LIST



— A Fan Assembly x1

# INSTALLATION KIT

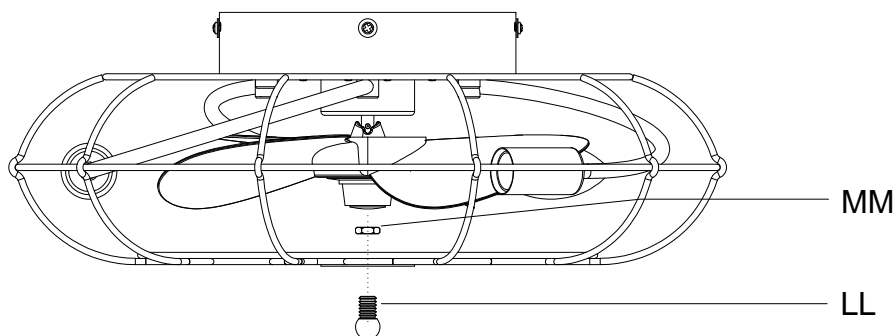
<b>AA</b>  Mounting Bracket	1×	<b>BB</b>  Wire Nut	3×	<b>CC</b>  Outlet Box Screw	2×	<b>DD</b>  Long Wood Screw	2×	<b>EE</b>  Plastic Anchor	2×	<b>FF</b>  "S" Hook	1×
<b>GG</b>  Canopy Screw	4×	<b>HH</b>  Short Wood Screw	2×	<b>II</b>  Remote Holder Anchor	2×	<b>JJ</b>  Remote Control	1×	<b>KK</b>  Remote Holder	1×	<b>LL</b>  Decoration Globe	1×
<b>MM</b>  Hex Nut	1×	<b>NN</b>  Pair of Gloves	1×								

**NOTE:**

1. The listed quantity is for installation, extra hardware may be included.
2. Mounting bracket (AA) and canopy screws (GG) are pre-installed on fan assembly (A).

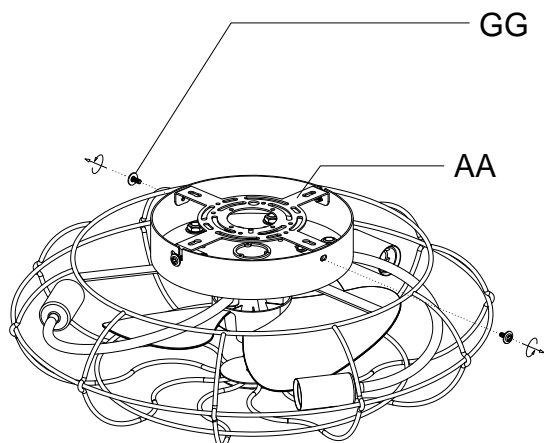
# INSTALLATION

## 1. Install the Decoration Globe

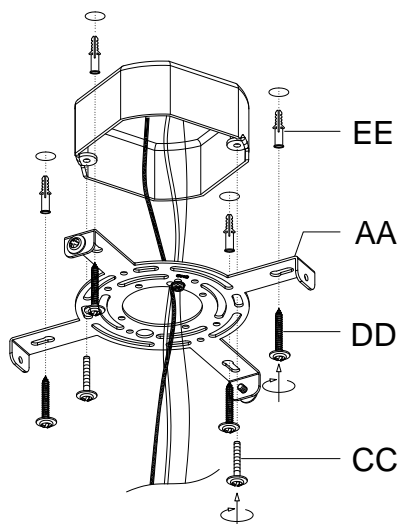


Use the hex nut (MM) to secure the decoration globe (LL) to the fan assembly (A).

## 2. Install the Mounting Bracket



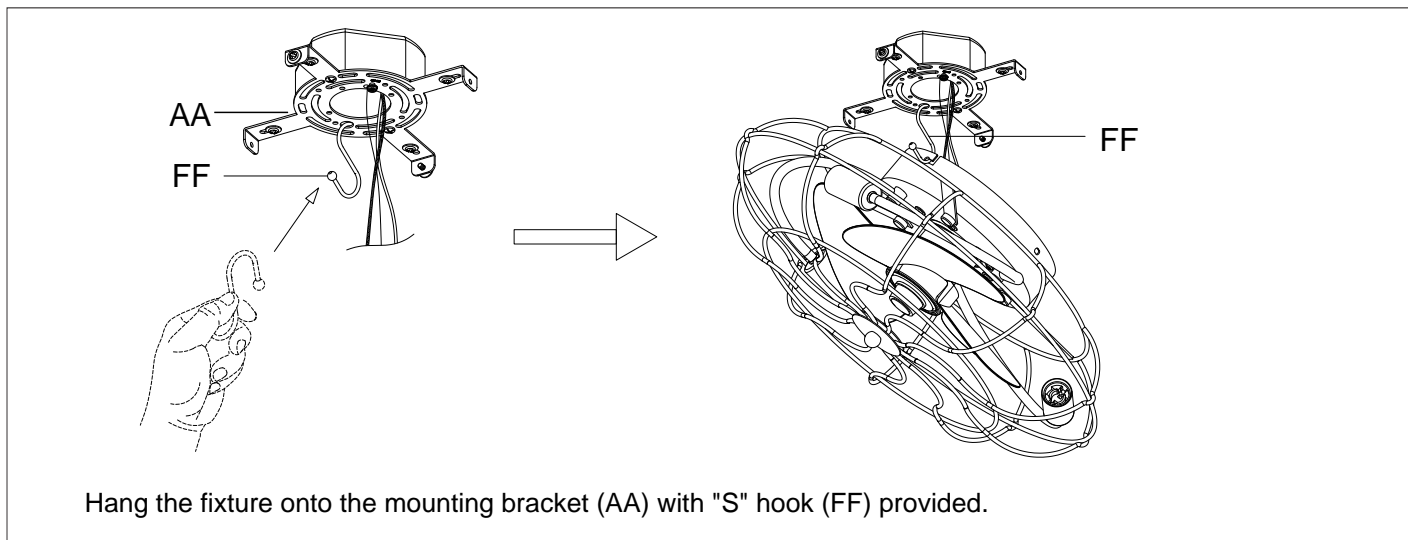
**Step 1:** Loosen and remove the canopy screws (GG) from the round holes, and loosen the canopy screws (GG) in the 'L' holes but do not remove them, and then remove the mounting bracket (AA) from the canopy.



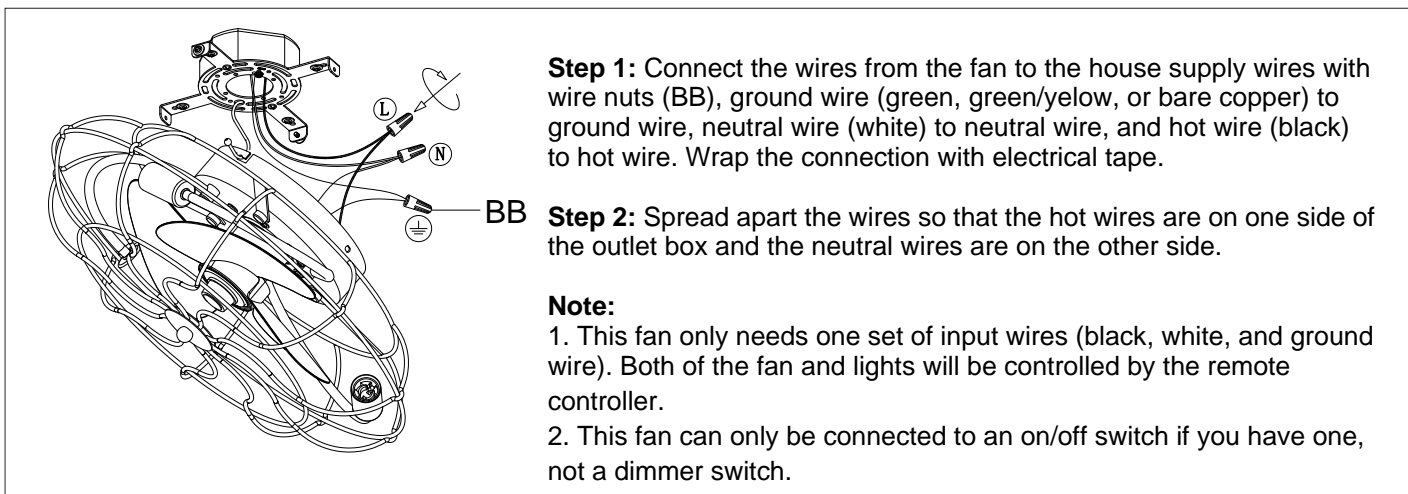
**Step 2:** Mark and drill screw holes in the ceiling, then insert the plastic anchors (EE).

**Step 3:** Use outlet box screws (CC) to fix the mounting bracket (AA) to the outlet box, and then tighten it with long wood screws (DD).

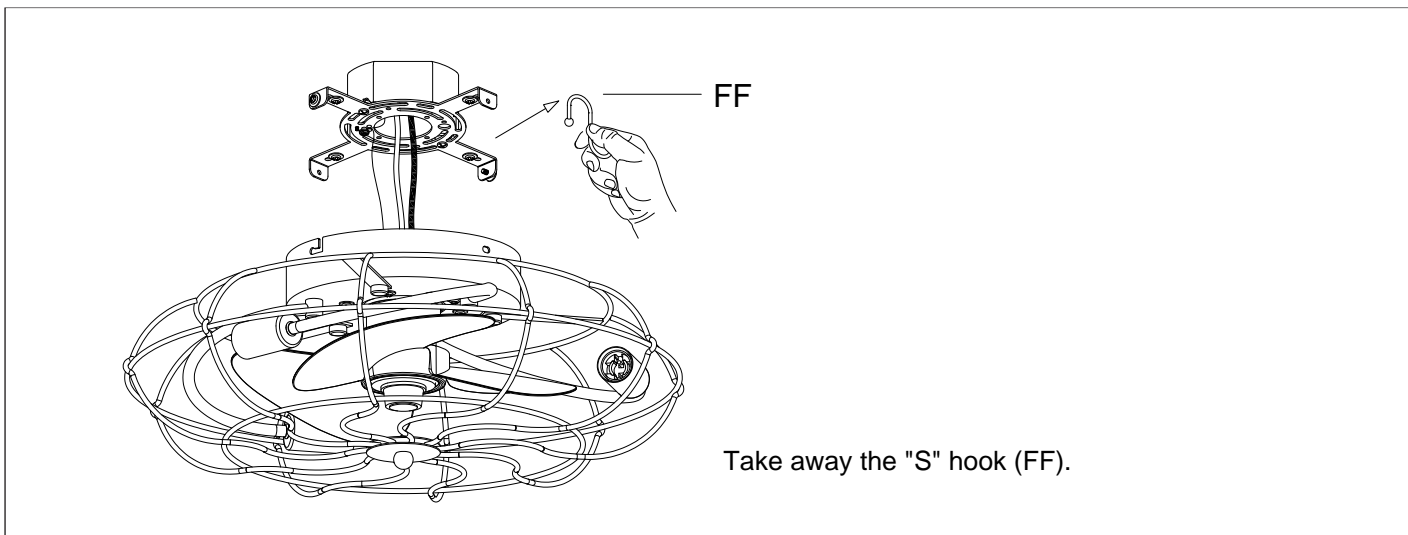
### 3. Hang the Fan

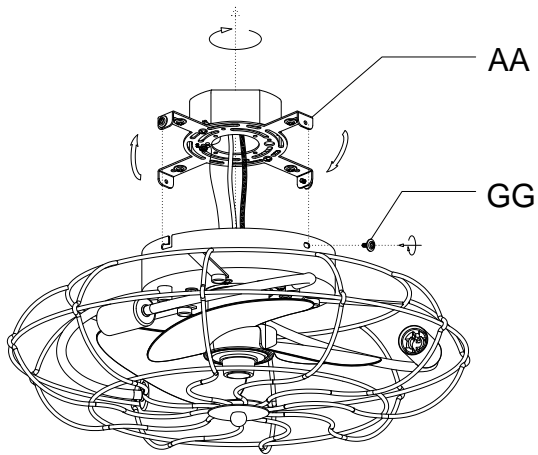


### 4. Connect the Wires



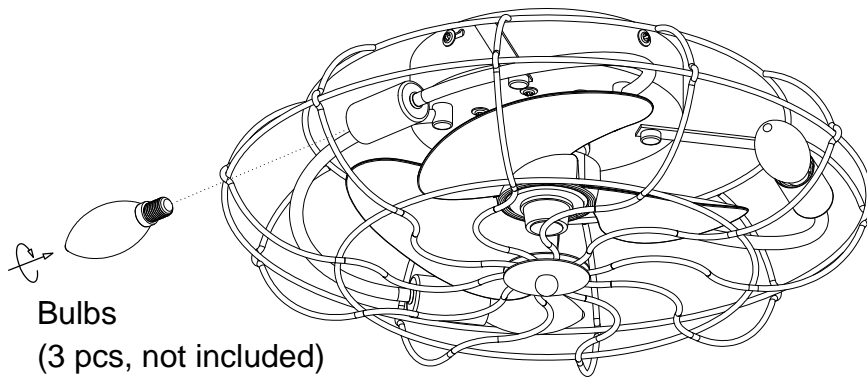
### 5. Attach the Canopy





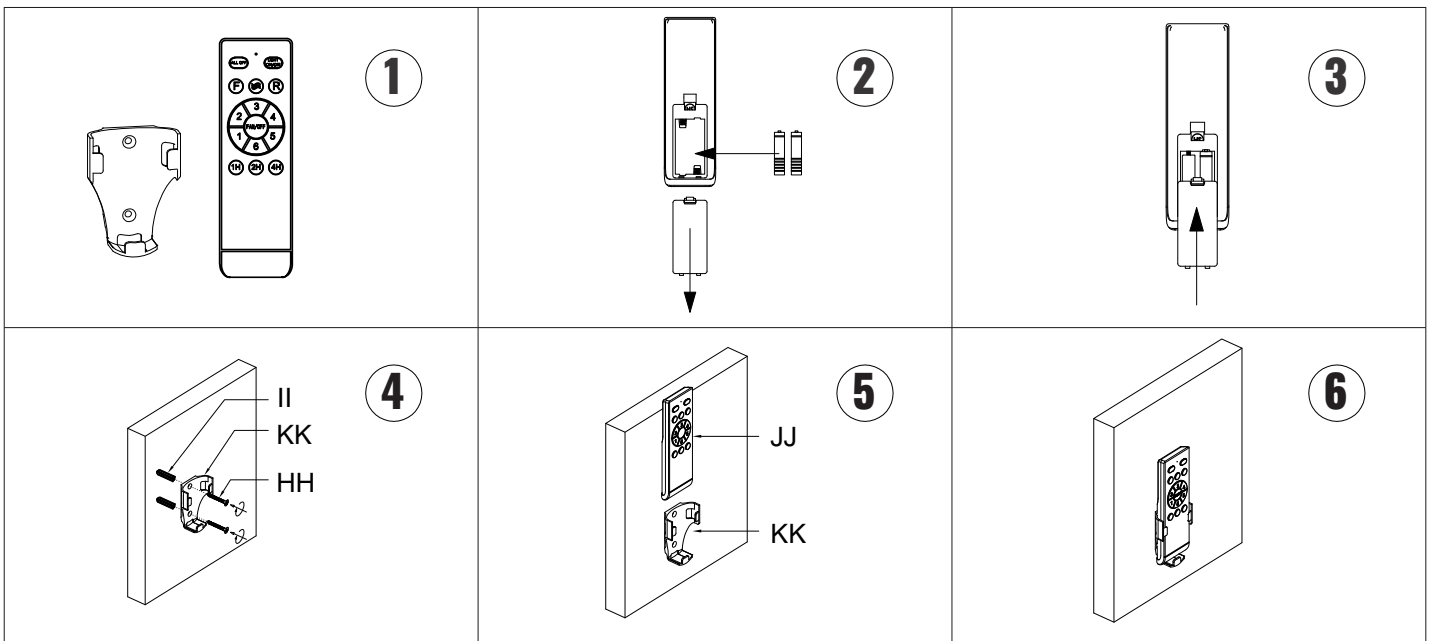
Align the "L" slots from the canopy to the canopy screws (GG) on the mounting bracket (AA), rotate the canopy to lock it onto the mounting bracket (AA). Tighten the canopy screws (GG).

## 6. Install Bulbs



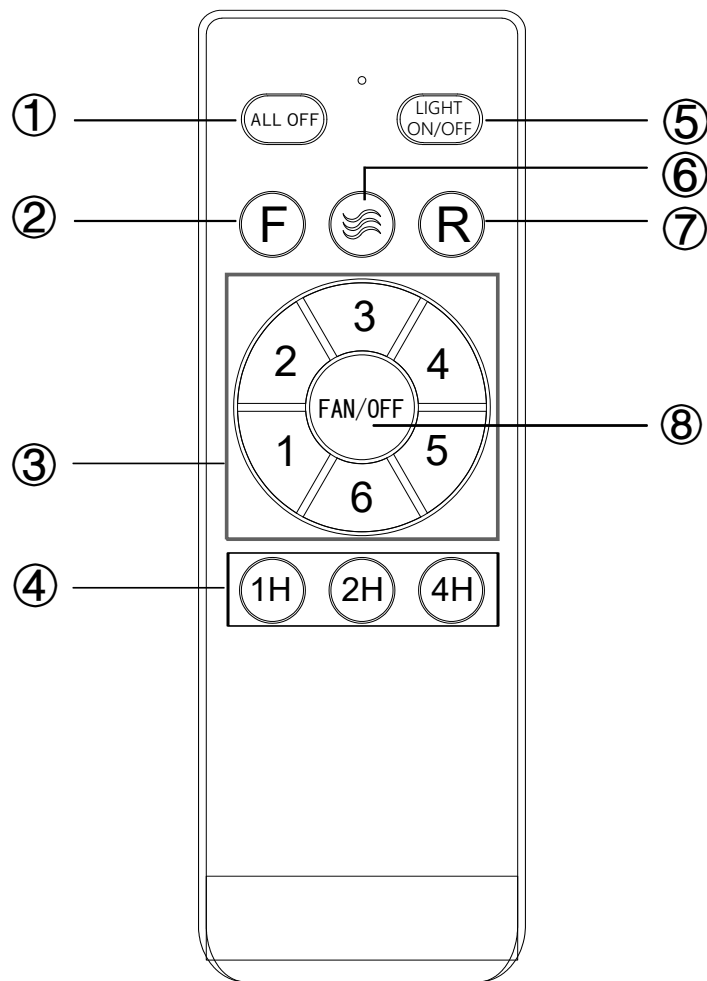
Install light bulbs (E12 x 3, Max 40 W each).

## 7. Install the Remote Holder



1. Insert 2 batteries before using: AAA 1.5V battery x 2pcs (not included).
2. Mark and drill screw holes in the wall, then insert the remote holder anchors (II).
3. Use short wood screws (HH) to fix the remote holder (KK) onto the wall.

# REMOTE CONTROL INSTRUCTIONS



## NOTE:

**Please insert 2 batteries before using.  
AAA 1.5V battery x 2pcs (not included)**

- ①: Turn off the fan and lights.
- ②⑦: "F" refers the fan rotates forward. "R" refers the fan rotates in reverse.
- ③: 1/2/3/4/5/6 for fan speeds.
- ④: 1H/2H/4H for timing the fan.
- ⑤: Turn on/off the lights.
- ⑥: Natural wind of the fan, fan speed will change automatically when use this function.
- ⑧: Turn off the fan.

**REMOTE SIGNAL PAIRING:** If the remote control loses signal of the fan, turn off the power from wall switch, then turn it on, press ⑧ immediately for around 3 seconds, after the fixture beeps or flashes, then it's done.

# Trouble Shooting

---

## 1. Fan doesn't work

- Make sure the fixture is connected to an ON/OFF wall switch, not a dimmer switch.
- Check the remote control battery (not included in this package).
- Check the circuit breaker to ensure the power is on.
- Turn off power from the circuit breaker, then loosen the canopy and check all the connections according to the wiring diagram.

## 2. Lights Do Not Light Up / Flicker / Noisy Operation

- Make sure the fixture is connected to an ON/OFF wall switch, not a dimmer switch.
- Check your power and switch to make sure it's powered on.

## 3. Noisy Operation

- Tighten the light fitting and blade bottom cover.
- Re-tighten all screws on the bracket, downrod, and fan blades (do not over tighten).
- Check to see if any of the blades are cracked. If so, replace all of the blades.

## 4. Remote does not work

- Make sure the battery is installed correctly.
- Pair the remote control again (See page 6).
- Install 2 new batteries.

# Clean And Care

---

To clean, wipe the fixture with a soft cloth. Spraying from chemical cleaners can discolor the finish of the fixture. Do not use scouring pads, powders, steel wool, or abrasive paper to clean this fixture.

# Ordering Parts

---

Keep this manual for future reference, and in case replacement parts are needed. Available parts can be ordered from the place of purchase. Use exact wording from diagrams when ordering parts.