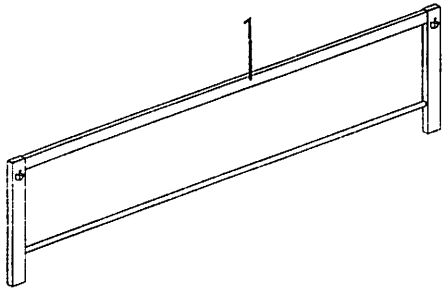


ASSEMBLY INSTRUCTION

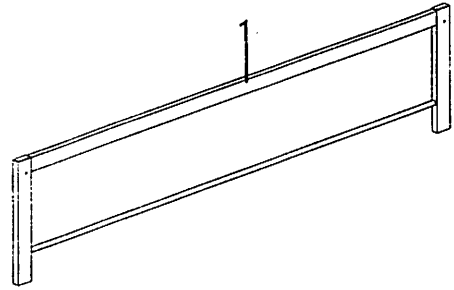
BED BASE DOUBLE BED (Metal Slat) - 6 Support Legs

Before you begin, please follow Assembly Instruction carefully. Follow them step by step.

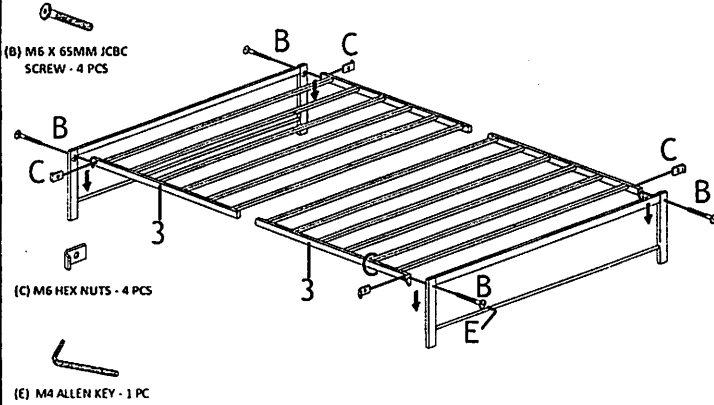
STEP 1



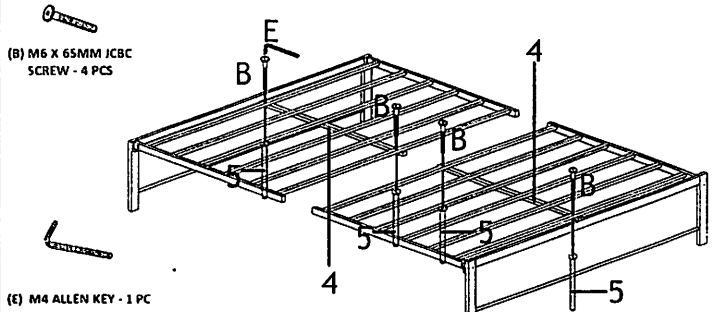
STEP 2



STEP 3



STEP 4

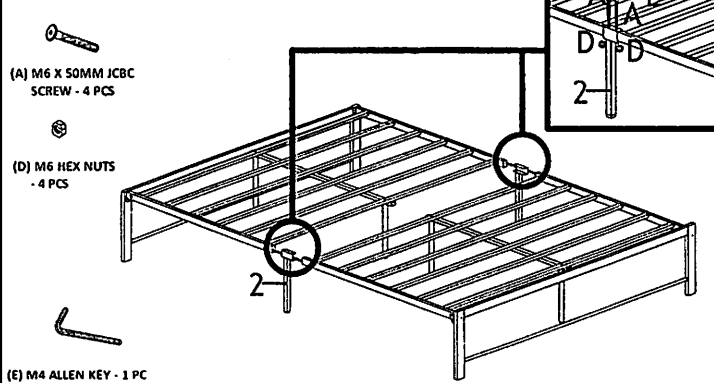


ASSEMBLY INSTRUCTION





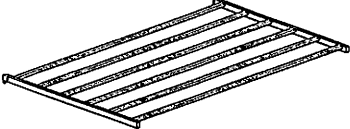
BED BASE DOUBLE BED (Metal Slat) - 6 Support Legs

Before you begin, please follow Assembly Instruction carefully. Follow them step by step.






STEP 5

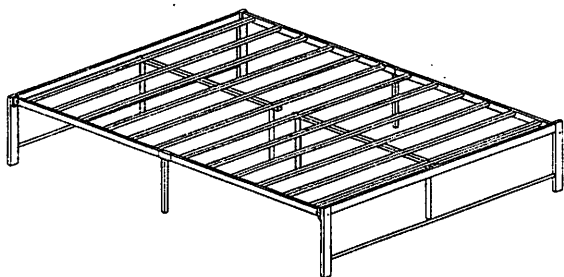


PART LIST

 1) HEADBOARD/FOOTBOARD X 2 PCS	 4) CENTER RAIL X 2 PCS
 2) SIDE LEGS X 2 PCS	 5) CENTER LEGS X 4 PCS
 3) METAL BED BASE X 2 PCS	

HARDWARE LIST

 (A) M6 X 50MM JCBC SCREW - 4 PCS	 (C) M6 "L" NUT - 4 PCS
 (B) M6 X 65MM JCBC SCREW - 8 PCS	 (D) M6 HEX NUTS - 4 PCS
 (E) M4 ALLEN KEY - 1 PC	



FULL SETUP