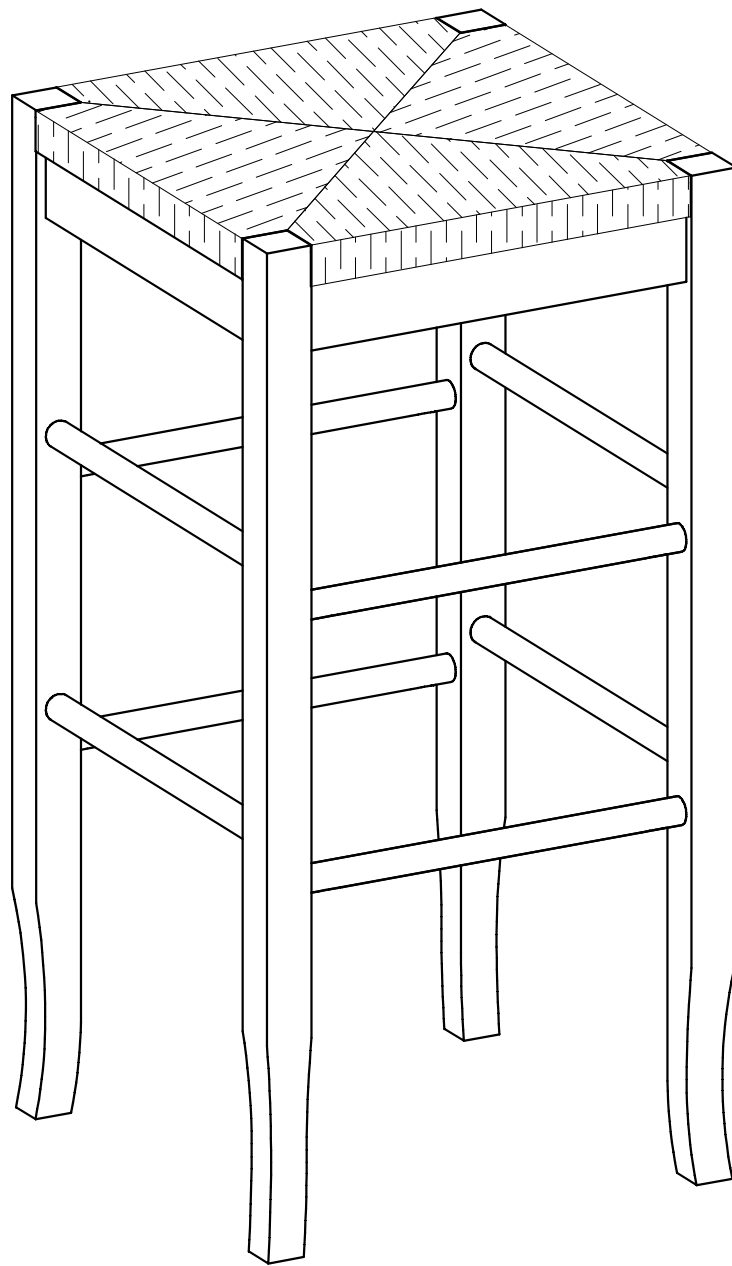
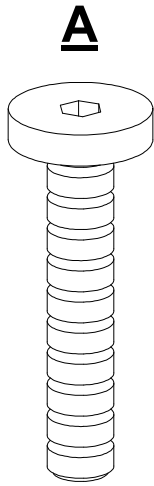


RUSH STOOL

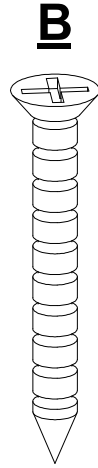
ASSEMBLY INSTRUCTIONS



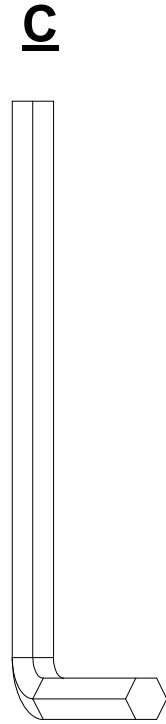
Phillips
Screwdriver
(Not provided)



8 PCS

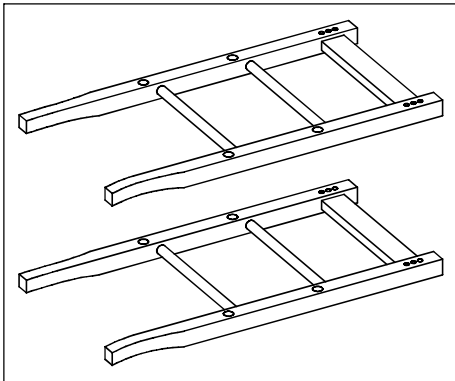


12 PCS

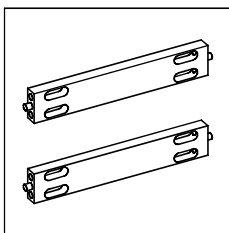


1PC

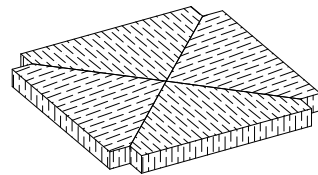
1



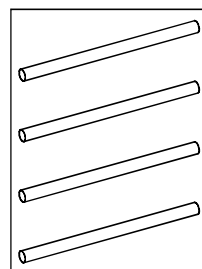
3



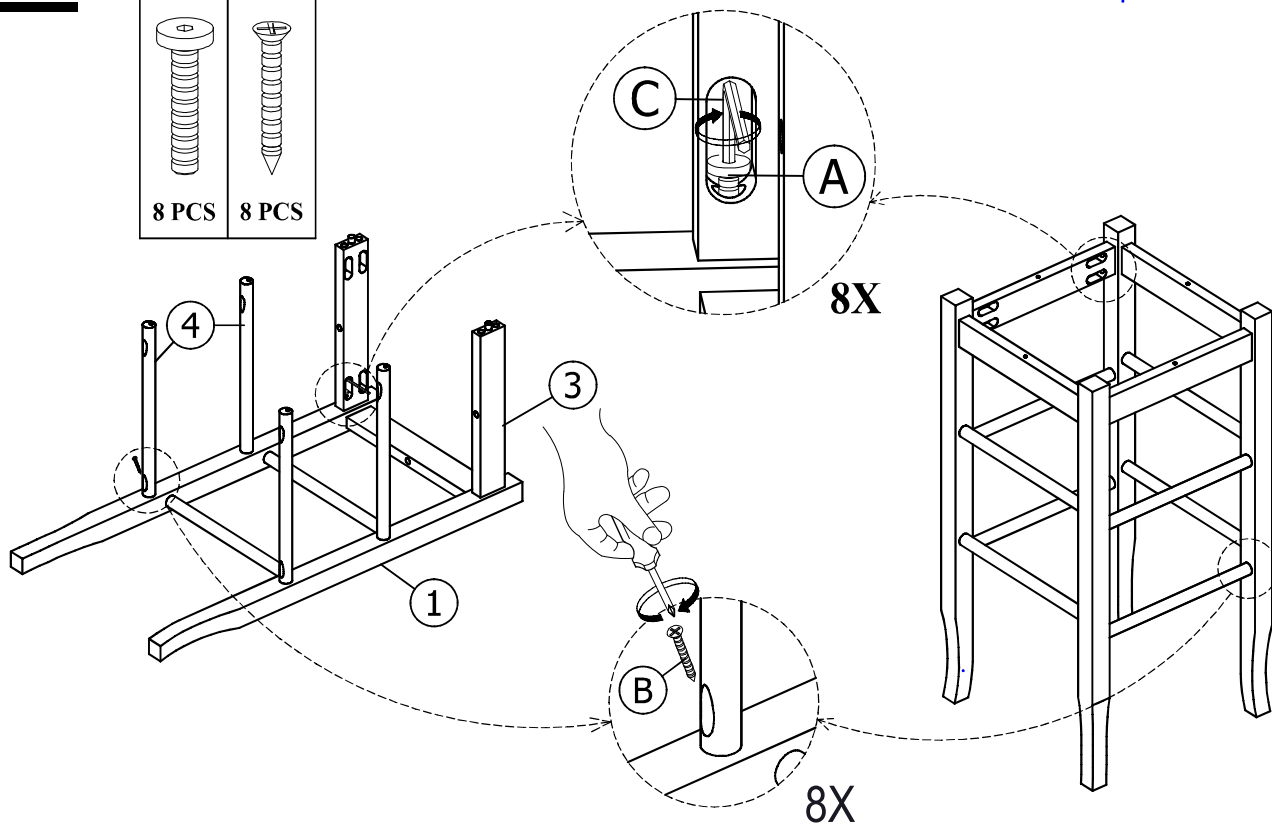
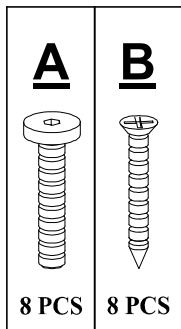
2



4

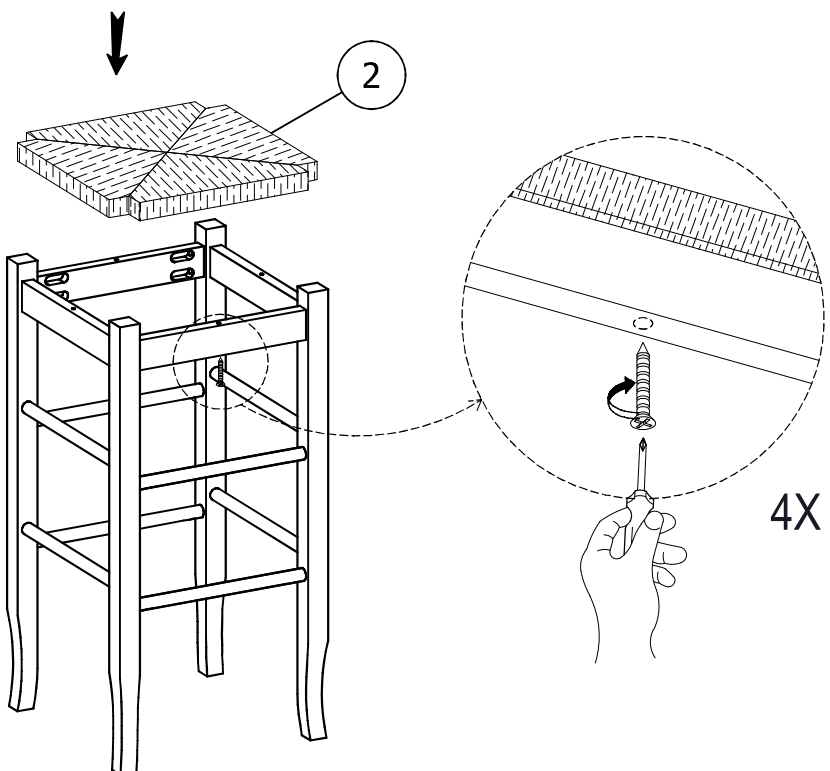
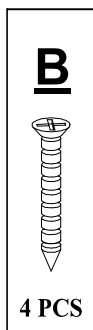


01

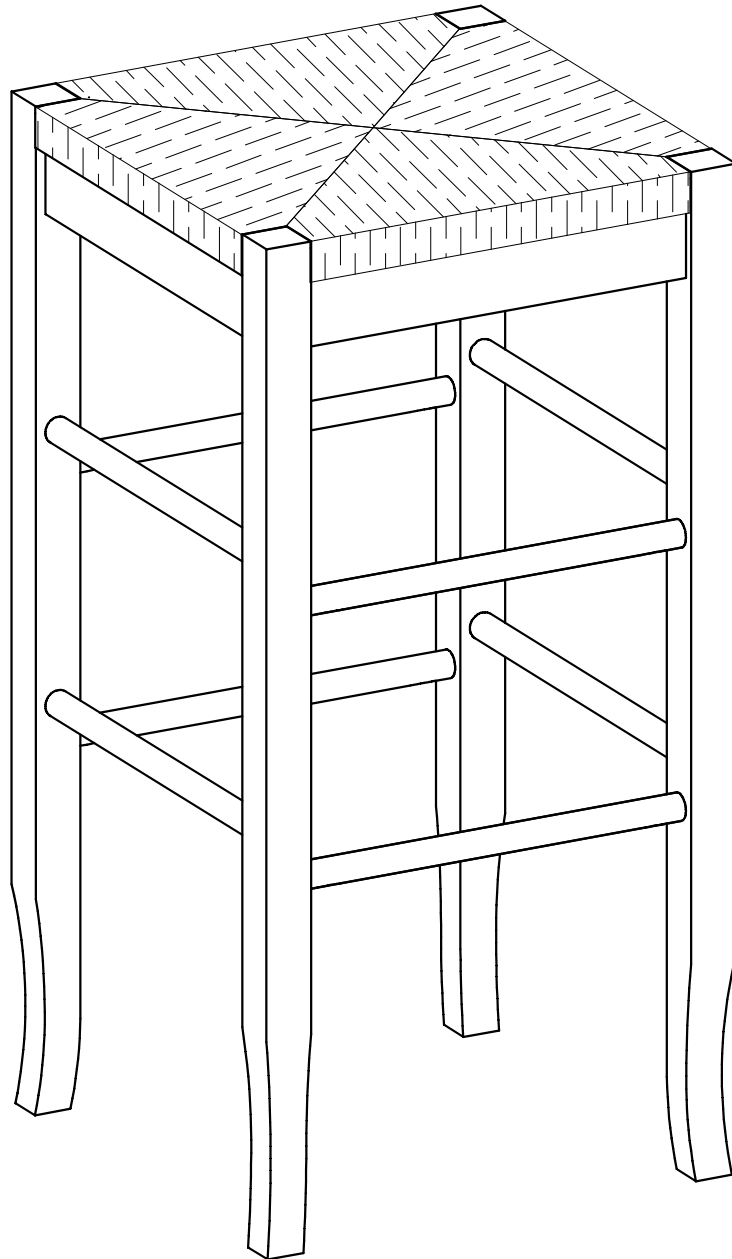


DO NOT TIGHTEN BOLT AND SCREW COMPLETELY.

02



TIGHTEN BOLT AND SCREW COMPLETELY.



BE SURE TO CHECK ALL BOLTS ARE SECURELY
TIGHTENED PRIOR USING THIS STOOL.