

65" Portable Wardrobe

NOTICE

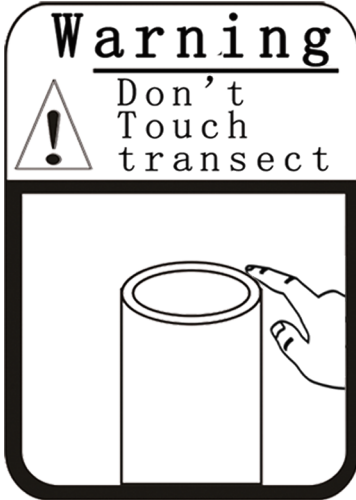
This side up This side up



This side down



This side down

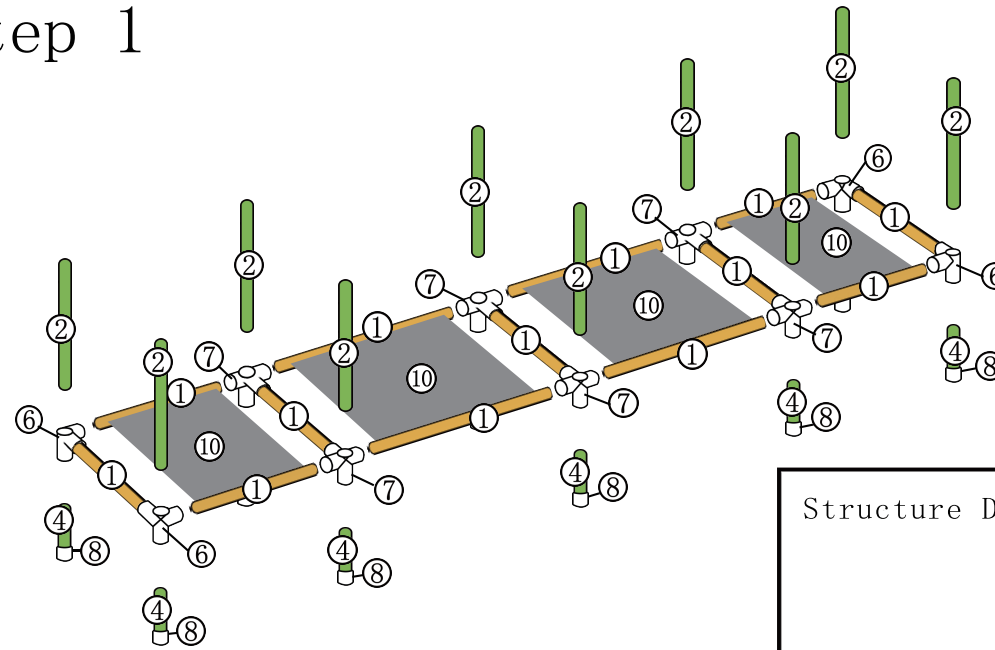


Components List

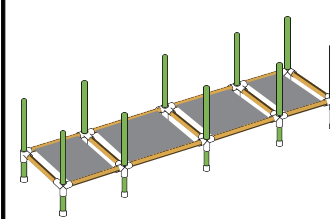
NO.	Qty	Length (inch)	Graphic
①	48	15	
②	20	15	
③	10	30	
④	10	6	
⑤	6+1		
⑥	20+1		
⑦	14+1		
⑧	10+1		
⑨	8+1		
⑩	12	PP Interlayer(S)	
⑪	1	Cover	

(+1 is replacement part.)

Step 1

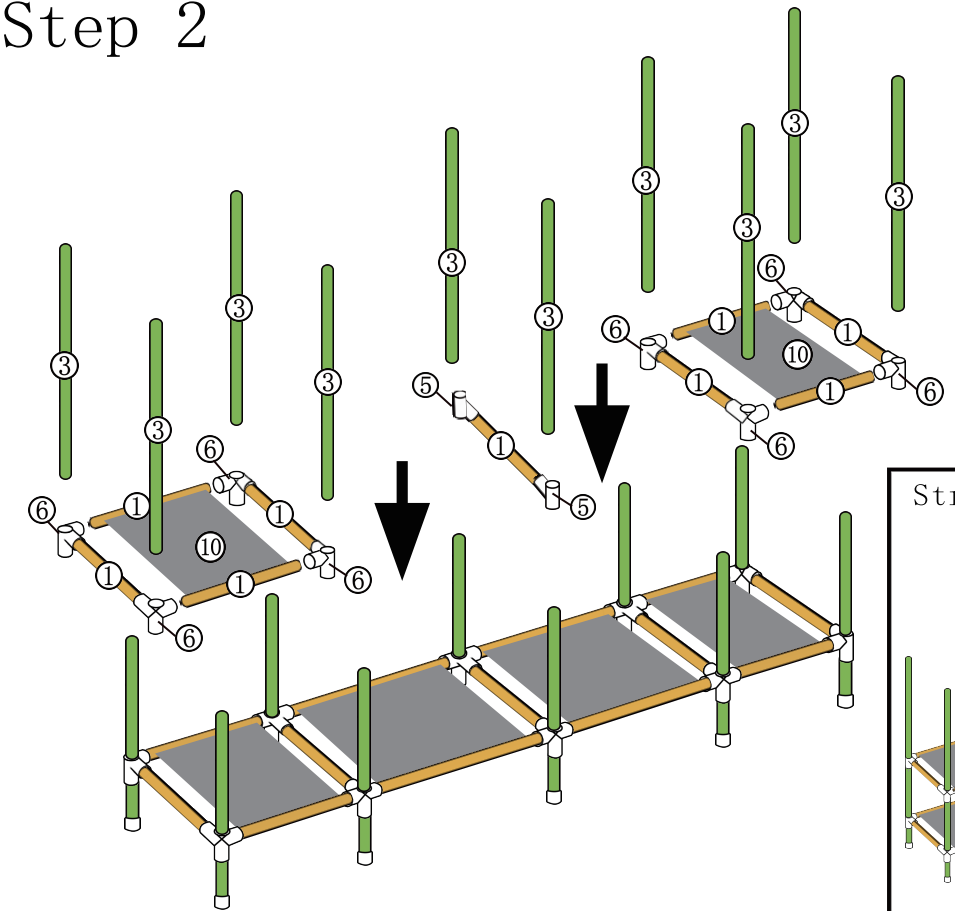


Structure Diagram

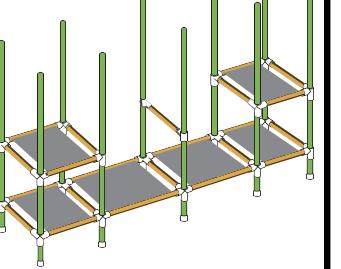


When inserting rod to connector, please make sure rod reaches the end of the hole in the connector. You can tap it with a hammer.

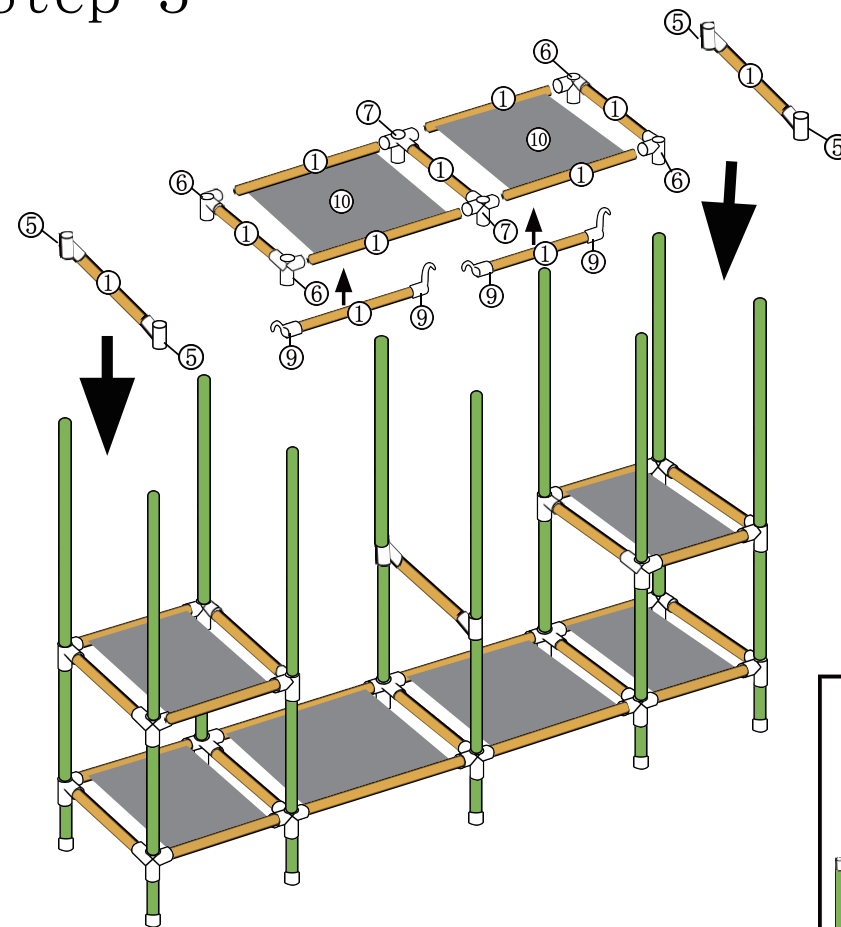
Step 2



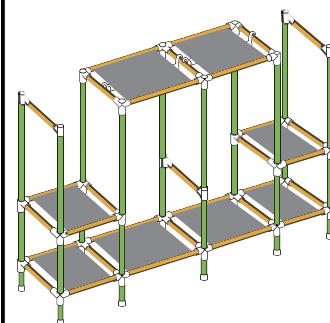
Structure Diagram



Step 3

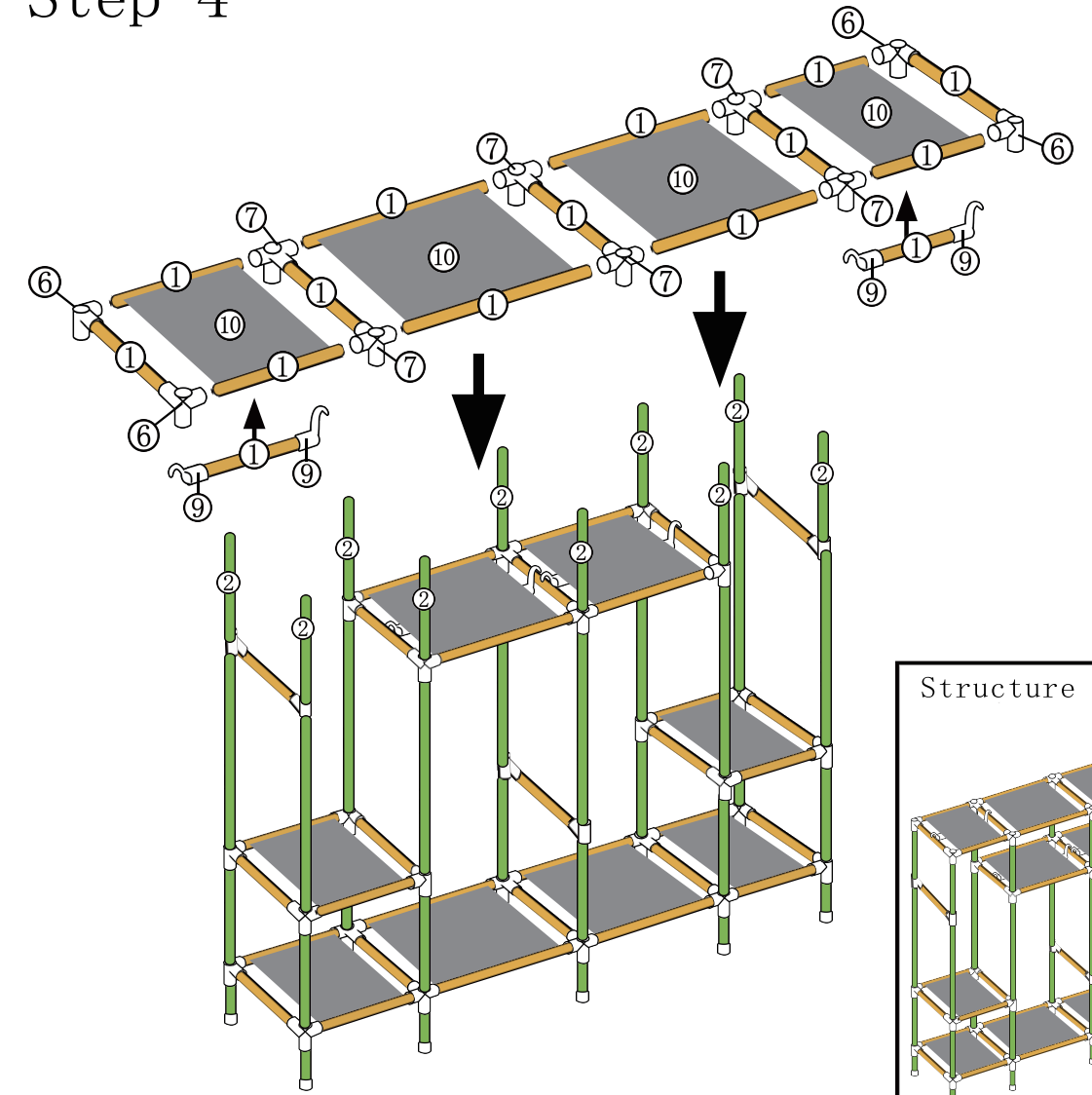


Structure Diagram

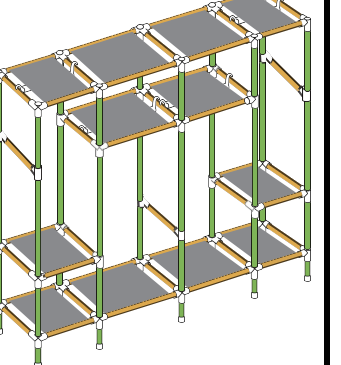


If the hang bar is hard to assemble, you can place it in tilt and force the hook hang to rods, then adjust to horizontal position.

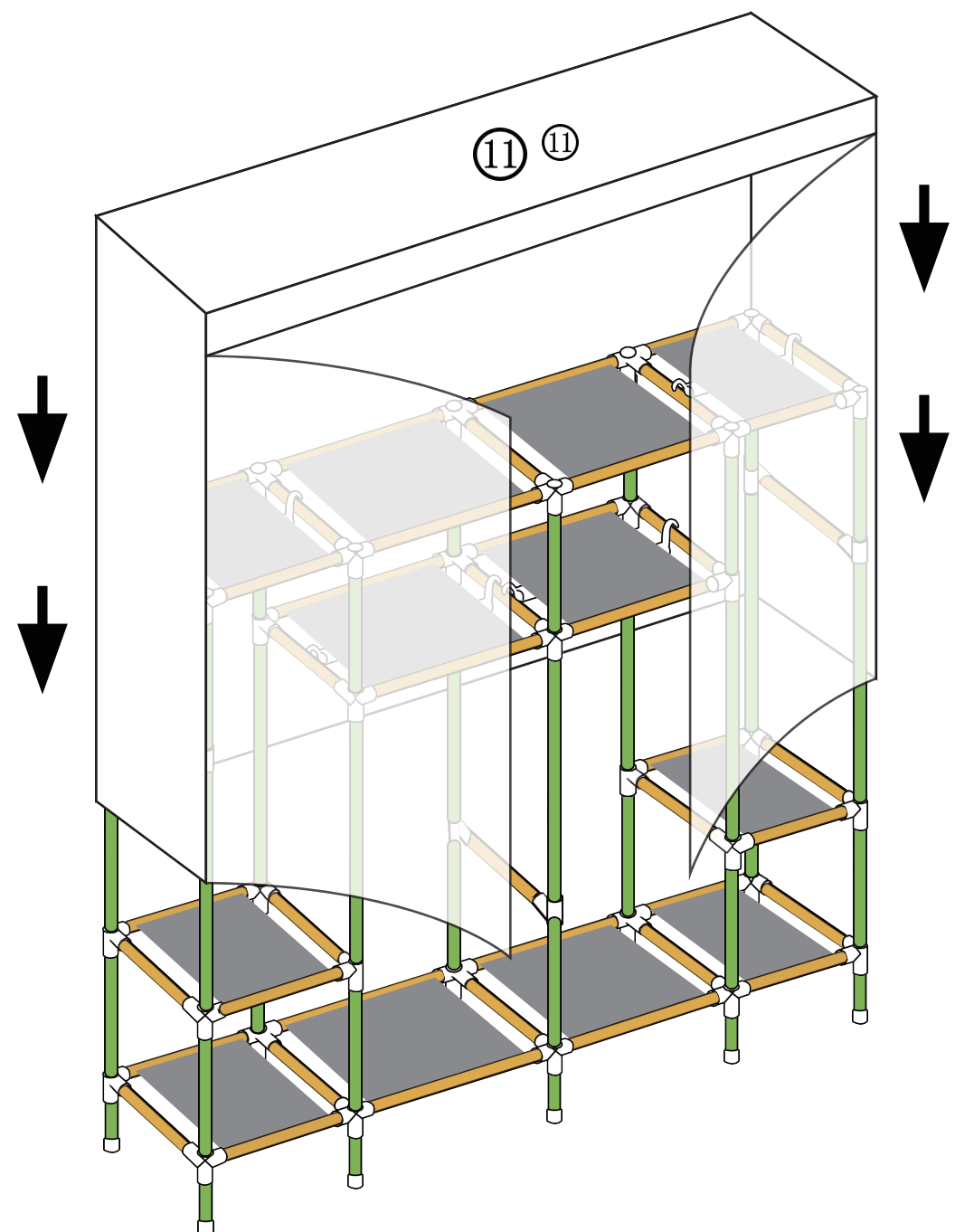
Step 4



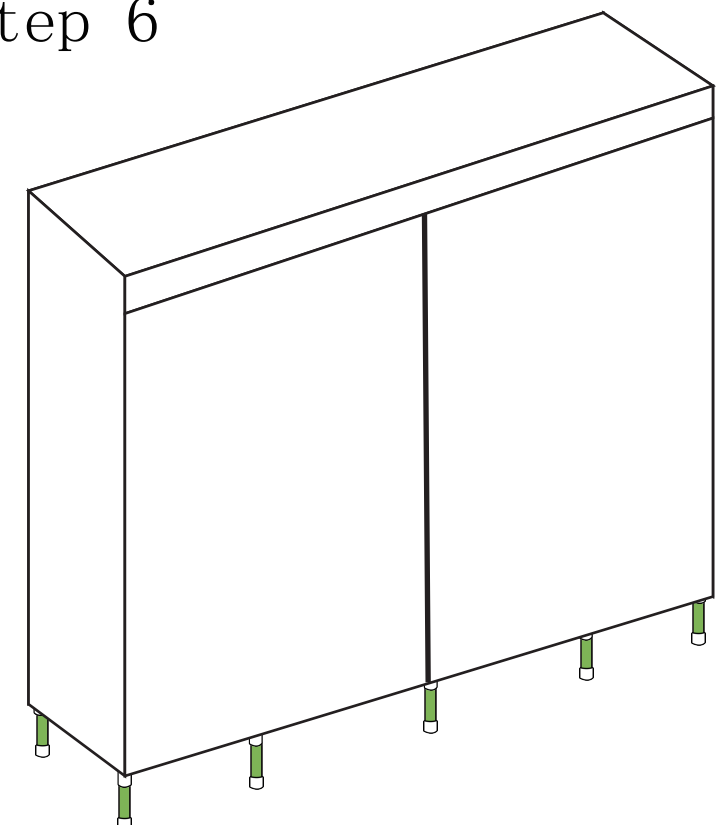
Structure Diagram



Step 5

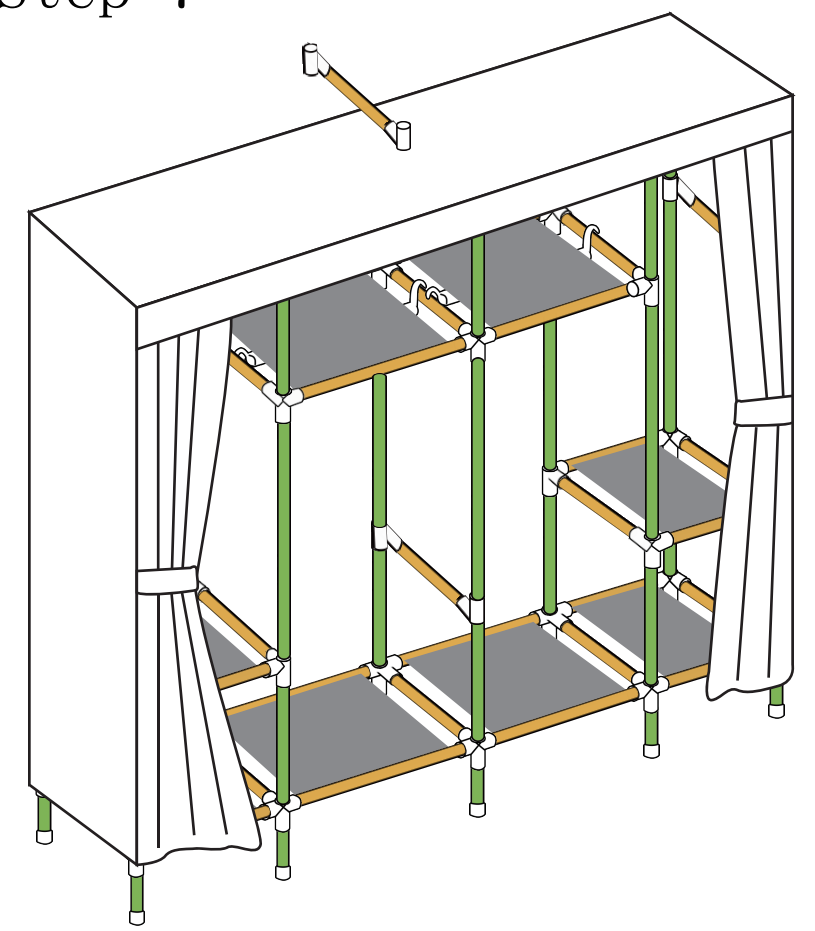


Step 6



⚠ Before placing the cover, make sure that all the fittings pressed tightly. Otherwise, the cover may tear due to size problem.

Step 7



Whole Structure Diagram

