

American Standard

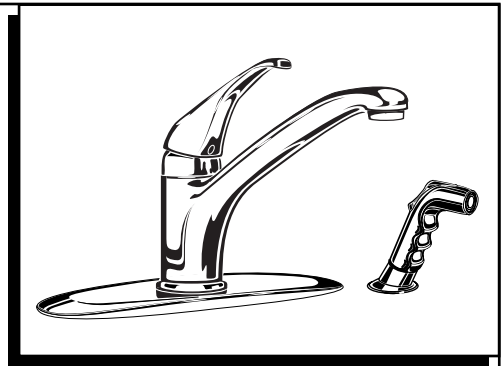
# CONNOISSEUR

## SINGLE CONTROL KITCHEN FAUCET WITH CAST SPOUT

Thank you for selecting American-Standard...the benchmark of fine quality for over 100 years.

To ensure that your installation proceeds smoothly—please read these instructions carefully before you begin.

## Installation Instructions 4400 SERIES



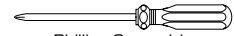
Certified to comply with ANSI A112.18.1M

M968955B

### TOOLS REQUIRED



Channel Locks



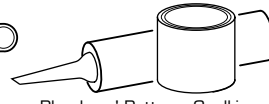
Phillips Screwdriver



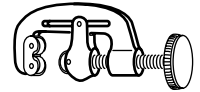
Regular Screwdriver



Adjustable Wrench



Plumbers' Putty or Caulking

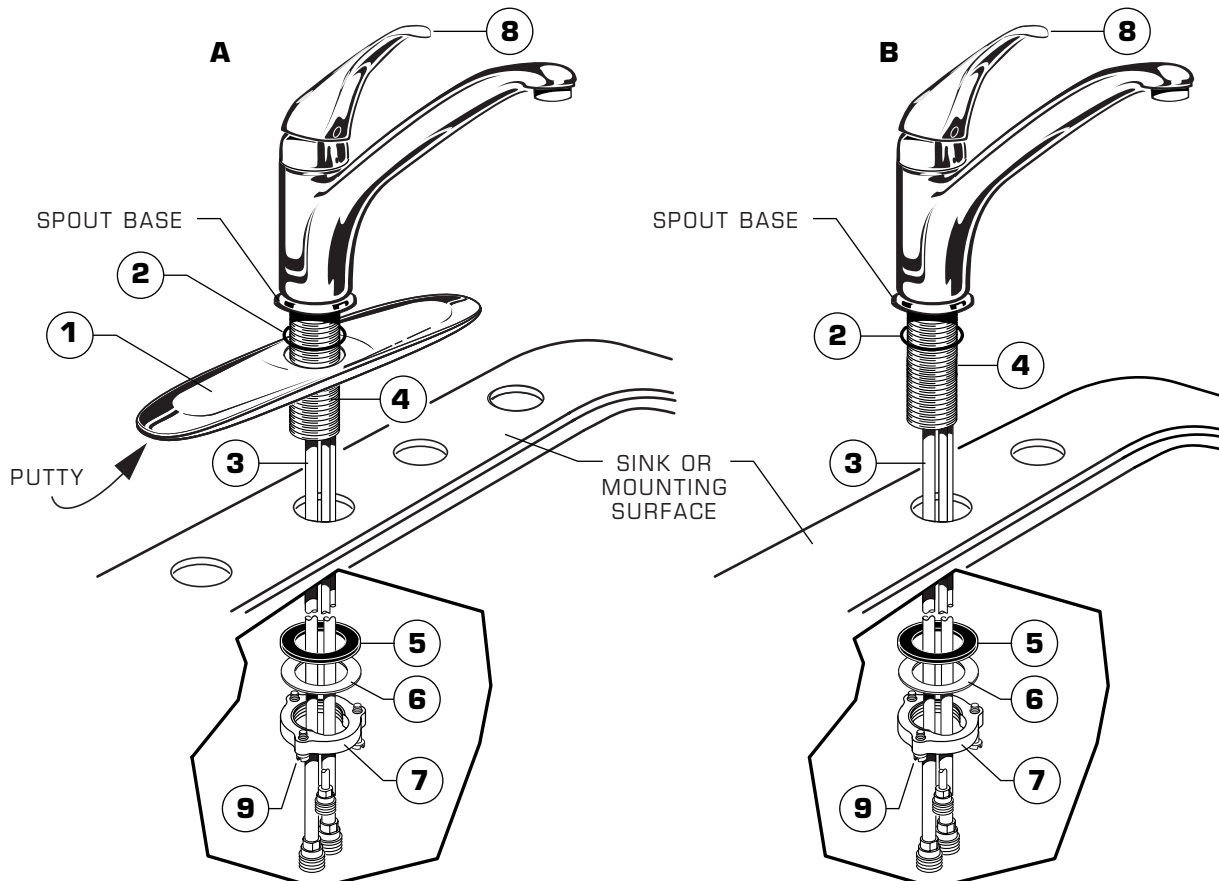


Tubing Cutter

## 1 INSTALL FAUCET WITH OR WITHOUT DECK ESCUTCHEON

**CAUTION** Turn off hot and cold water supplies before beginning.

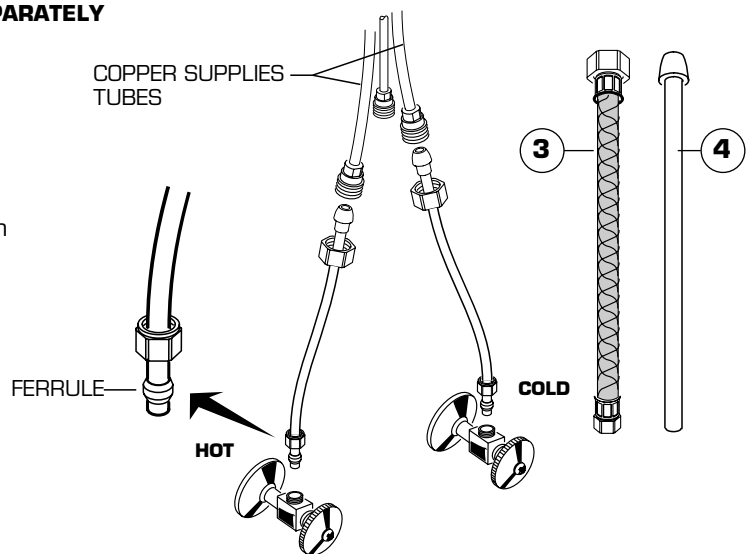
- **(A) Installation with ESCUTCHEON (1).** Apply a bead of putty to bottom edge of ESCUTCHEON (1). Insert supply TUBES (3) and SHANK (4) through hole of ESCUTCHEON (1) and mounting surface. Make certain the O-RING (2) is properly seated in recess of SPOUT BASE. Follow mounting instructions below to secure faucet to mounting surface.
- **(B) Installation less ESCUTCHEON (1).** Remove ESCUTCHEON (1) and insert supply TUBES (3) and SHANK (4) through mounting hole and seat SPOUT BASE onto sink or mounting surface. Make certain the O-RING (2) is properly seated in recess of SPOUT BASE. Do not use putty.
- Assemble RUBBER WASHER (5), BRASS WASHER (6), and threaded LOCKNUT (7) onto SHANK (4) from underside of sink or mounting surface. Hand tighten LOCKNUT (7) and check that rotation of HANDLE (8) from HOT to COLD is centered.
- Use a screwdriver to tighten SCREWS (9) on LOCKNUT (7). Work your way around LOCKNUT (7), tightening the screws slightly each time until all are snug to ensure even pressure.



## 2 MAKE WATER SUPPLY CONNECTIONS

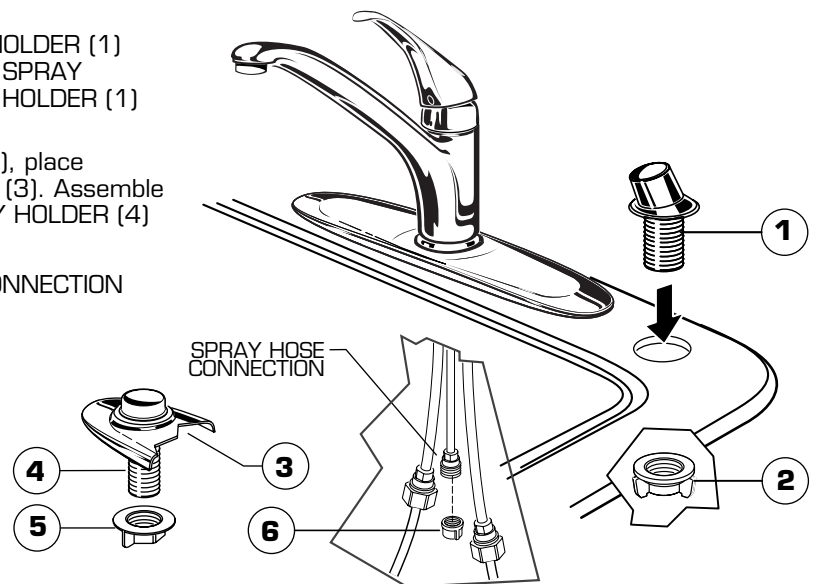
### NOTE: FLEXIBLE SUPPLIES HAVE TO BE PURCHASED SEPARATELY

- Carefully bend COPPER SUPPLIES to meet water supply lines using the palms of the hands to avoid kinking.
- Connect HOT water supply line to left tube, and COLD water supply line to right tube using appropriate connectors.
- Use 1/2" IPS FLEXIBLE SUPPLIES (3) or 3/8" O.D. BULL-NOSE RISERS (4). Use adjustable wrench to tighten connections. Do not over tighten. Be careful not to kink copper supply when bending. Use tubing cutter to cut to proper length.



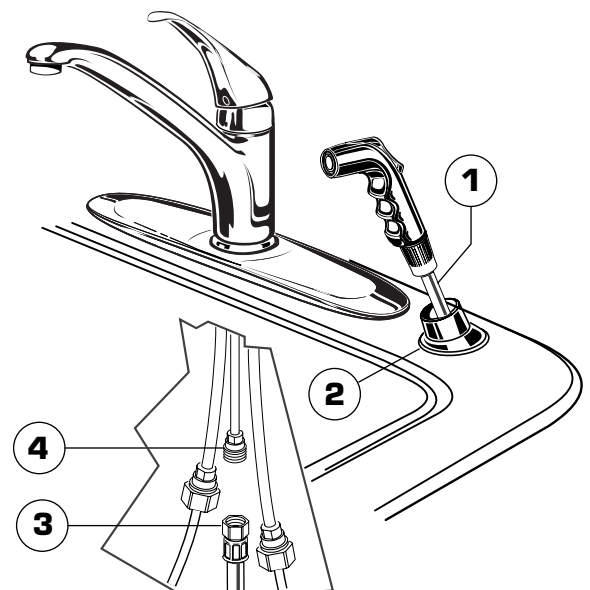
## 3 INSTALL SPRAY HOLDER

- On model with separate spray, place the SPRAY HOLDER (1) into the appropriate mounting hole. Assemble the SPRAY HOLDER WING NUT (2) onto the shank of SPRAY HOLDER (1) from below and tighten. **Do not use putty.**
- On model with spray through the ESCUTCHEON (3), place SPRAY HOLDER (4) into the hole of ESCUTCHEON (3). Assemble SPRAY HOLDER NUT (5) onto the shank of SPRAY HOLDER (4) from below and tighten. **Do not use putty.**
- For installation less spray cap off SPRAY HOSE CONNECTION with PIPE CAP (6).



## 4 CONNECT HOSE SPRAY

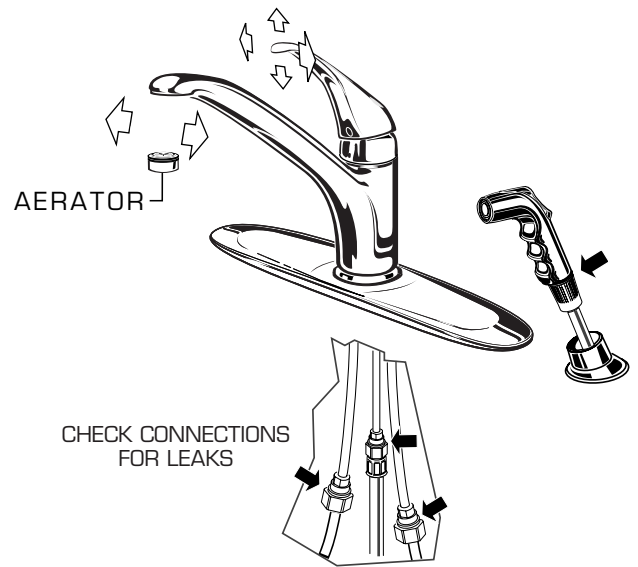
- Feed SPRAY HOSE (1) through SPRAY HOLDER (2) and attach COUPLING NUT (3) of HOSE (1) to HOSE ADAPTOR (4) on valve body. Tighten COUPLING NUT (3) firmly.



# 5

## TEST INSTALLED FAUCET

- Move HANDLE down into "off" position and remove AERATOR.
- Turn on water supplies and check connections for leaks. ➡
- Operate HANDLE up and down, left and right to flush water lines thoroughly.
- For faucet with spray, direct SPRAY HEAD into sink and activate SPRAY. Check hose connections for leaks. ➡
- Move HANDLE down to "off" position and replace AERATOR.



# 6

## SERVICE

**Reduced flow.** If the flow gradually reduces over a number of months, the AERATOR may have collected debris. To clean, remove AERATOR and rinse with water and remove any debris. Turn on faucet to wash any debris out of the faucet. Thread AERATOR back into spout. Operate faucet.

■ **Spout leakage.** If fitting leaks above or below SPOUT HUB remove SPOUT as follows and check SPOUT O-RINGS and SPACER O-RINGS.

- Remove HANDLE BUTTON (2) and loosen SET SCREW (1). Pull HANDLE (3) off valve stem.
- Remove CAP (4) and RETAINER (5). Loosen CARTRIDGE SCREWS (6) and remove CARTRIDGE (7).
- Pull off SPACER (8) and O-RINGS (9).
- Remove SPOUT (12) by pulling up gently while moving SPOUT (12) side to side.
- Check both SPOUT O-RINGS (11). Replace if necessary.

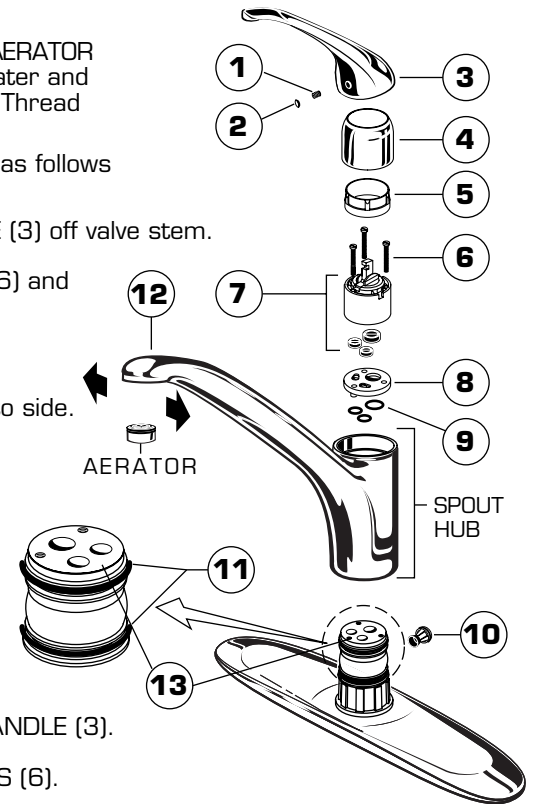
■ On models with SPRAYS, DIVERTER (10) can be cleaned by pulling DIVERTER (10) out of the MANIFOLD (13). Clean DIVERTER (10) and MANIFOLD (13). Push DIVERTER (10) back into MANIFOLD (10).

■ Reverse procedure to reinstall SPOUT, CARTRIDGE and HANDLE.

■ **Clogged CARTRIDGE outlets or inlets may cause reduced flow.** To clean, first turn off water supply then:

- Remove PLUG BUTTON (2), loosen HANDLE SCREW (1) and remove HANDLE (3).
- Remove ESCUTCHEON CAP (4). unscrew the three CARTRIDGE SCREWS (6).
- Clean inlets of CARTRIDGE (7) and MANIFOLD (13).

■ Reassemble CARTRIDGE (7), alternately tightening SCREWS (6). Replace CAP (4) and HANDLE (3). Check flow.



# 7

## CARE INSTRUCTIONS

■ To keep your new faucet looking new, please follow these simple care instructions:

**DO:** ■ Simply rinse the faucet clean with clear water.  
■ Dry the faucet with a soft cotton cloth.

**DO NOT:**

- Do not use any abrasive cleaners, cloths, or paper towels.
- Do not use any cleaning agents containing acids, polish abrasives, or harsh cleaners or soaps.

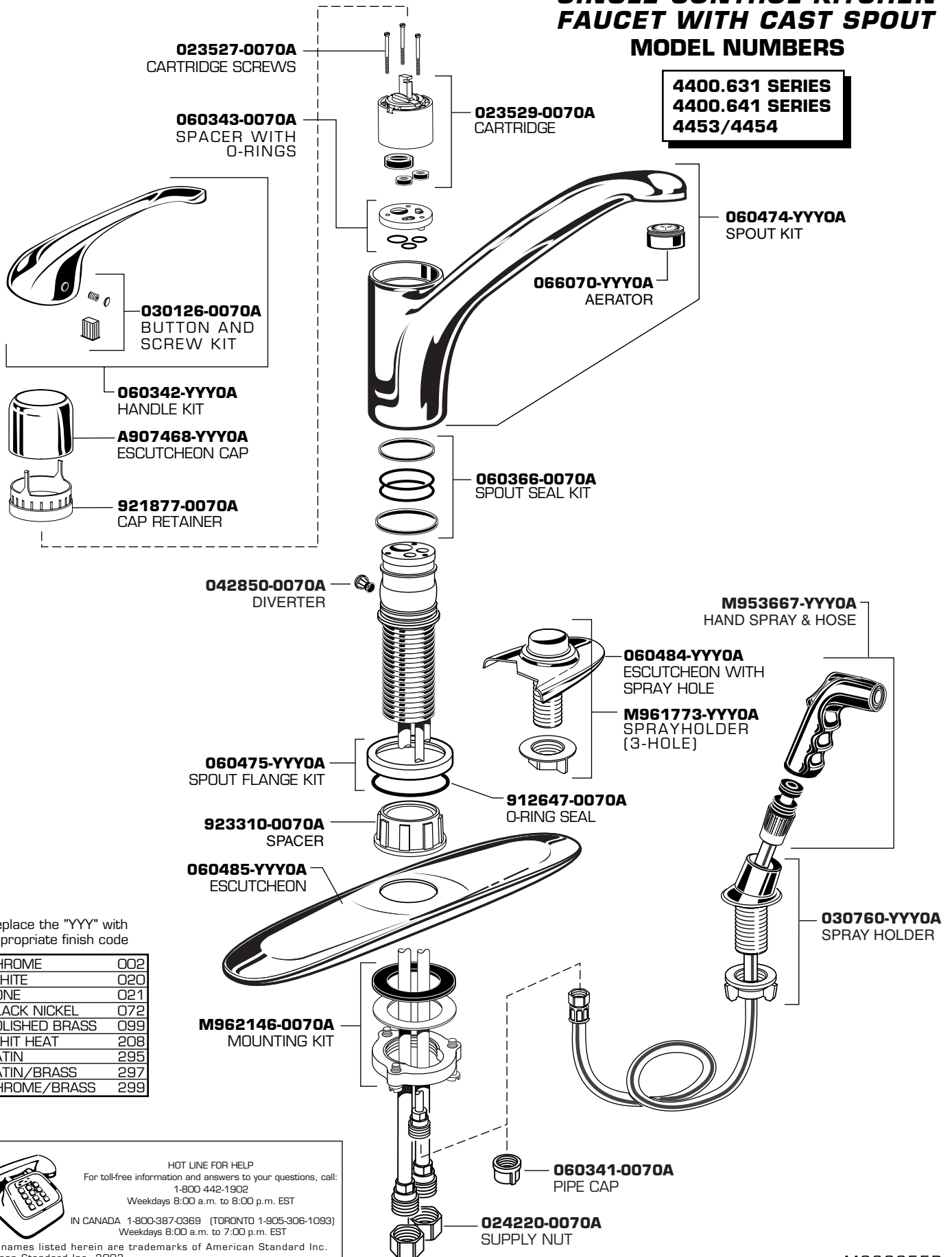
■ Regular and routine cleaning will reduce the need for heavy cleaning and polishing. If heavy cleaning is required, the following procedures are recommended:

- Remove as much surface dirt and film using clear water and soft cotton cloth (as described).
  - Use any of the following to remove tough surface film and build-up:
    - Mild liquid detergents
    - Clear ammonia free liquid glass cleaners
    - Non-acidic, non-abrasive gentle liquid or fully dissolved powder cleansers mixed according to manufacturers directions.
    - Non-abrasive liquid polishers
- Once clean, rinse faucet again with clear water to thoroughly remove cleaner or polish and blot dry with a cotton cloth.

**Failure to follow these care instructions may damage the faucet's finish.**

## SINGLE CONTROL KITCHEN FAUCET WITH CAST SPOUT MODEL NUMBERS

**4400.631 SERIES**  
**4400.641 SERIES**  
**4453/4454**



Replace the "YYY" with appropriate finish code

CHROME	002
WHITE	020
BONE	021
BLACK NICKEL	072
POLISHED BRASS	099
WHIT HEAT	208
SATIN	295
SATIN/BRASS	297
CHROME/BRASS	299



**HOT LINE FOR HELP**  
For toll-free information and answers to your questions, call:  
1-800-442-1902  
Weekdays 8:00 a.m. to 8:00 p.m. EST  
IN CANADA 1-800-387-0369 (TORONTO 1-905-306-1093)  
Weekdays 8:00 a.m. to 7:00 p.m. EST

Product names listed herein are trademarks of American Standard Inc.  
© American Standard Inc. 2003