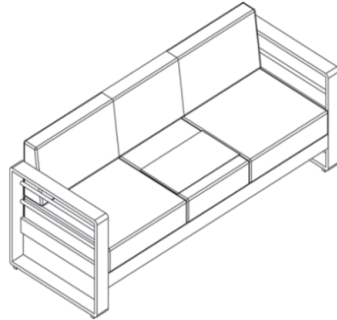






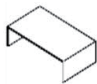
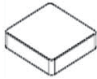
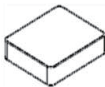
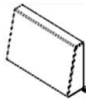
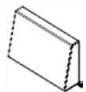
# Assembly Instructions

**Caution : You must read this before you proceed**

## **Three-seater Sofa**



## Parts List

Label	Picture	Description	QTY
A		Left Side Panel	1
B		Right Side Panel	1
C		Seat Panel (with plastic plugs protector in 4 ends)	1
D		Back Support Bar	1
E		U Shape Board	1
F		Middle Cushion	1
G		Seat Cushion	2
H		Back Cushion	2
I		Middle Back Cushion	1

# Hardware

Label	Picture	Description	QTY
①		Bolt (M6*20MM)	5
②		Bolt (M6*25MM)	7
③		Allen Wrench	1

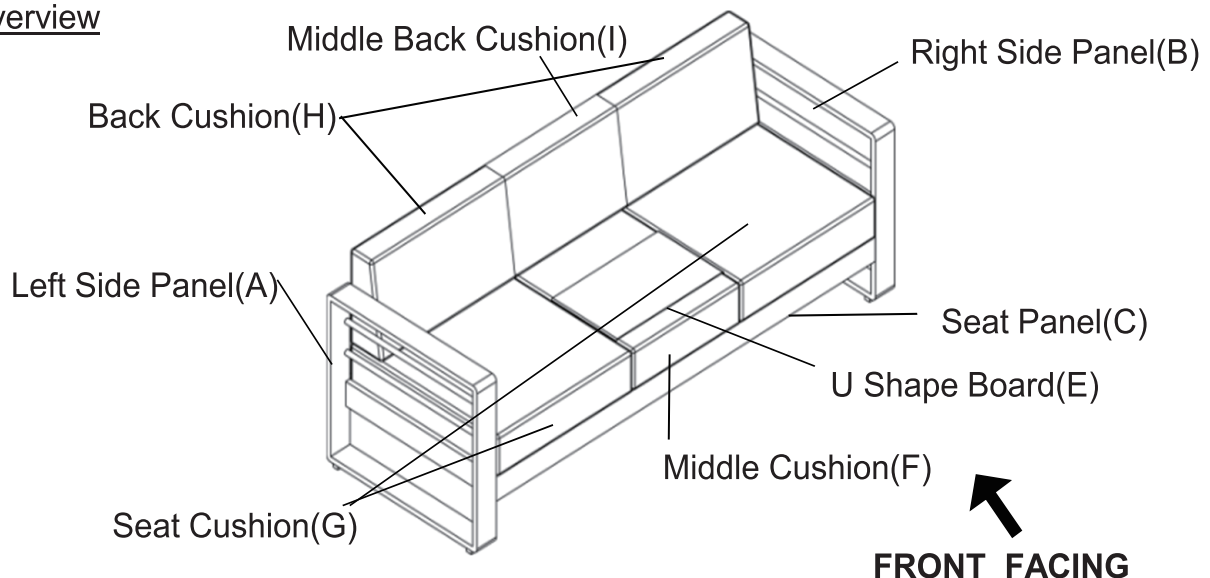
# Assembly Preparation

<b>Before Beginning Assembly:</b>							

- Read instructions, cover to cover-
- Have 2 adults on hand for assembly-
- Do not assemble on flooring or carpet-
- Assemble on a clean non-marring surface (packing foam)-
- Save all packaging until finished-

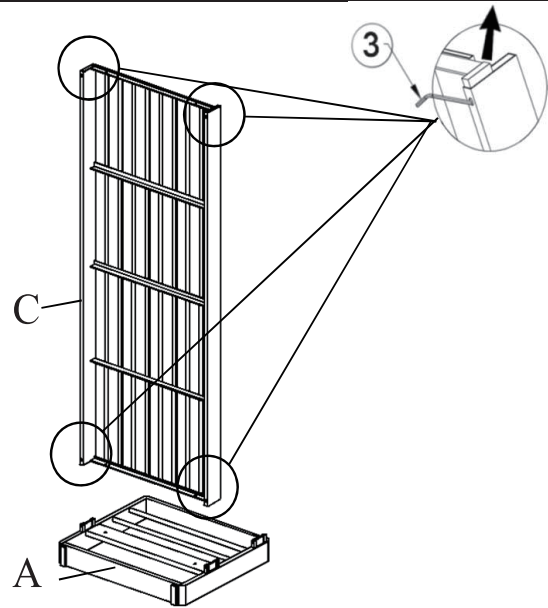
# Assembly Steps

## Overview



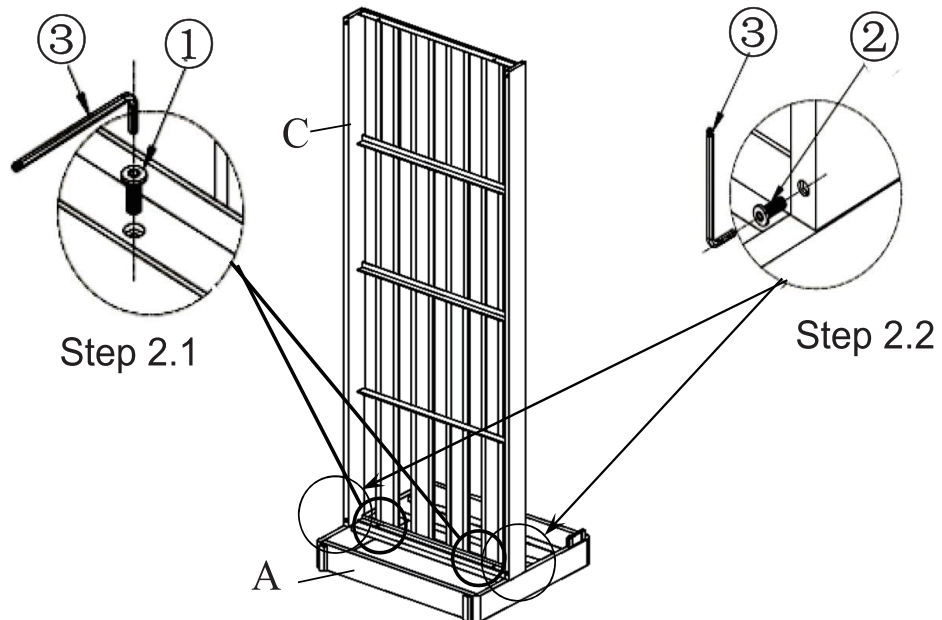
The two-piece sofa has multiple parts and may take 30 minutes to assemble. To give you an idea of the parts of the love sofa, the pictures above will help you see through the parts. Please read the following instructions carefully before assembly to be familiar with the parts and procedures.

## Step 1



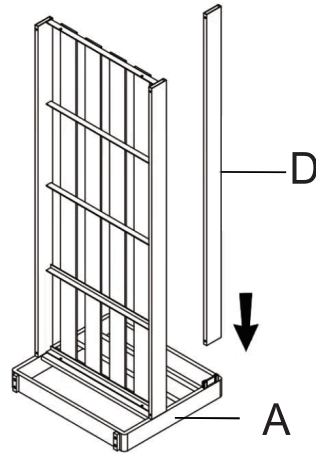
Open the carton and place all the parts onto a clean, non-marring surface.  
Remove the plastic plugs (protect the aluminum from deforming) from the four ends of the Seat Board(C) using Allen Wrench(③) as shown above.  
Please keep plastic plugs for re-package if need.  
Place the Left Side Panel(A) with its inside facing up.  
Insert Seat Panel(C) into the Left Side Panel(A).  
If you found the seat (C) didn't line up with the Side panel(A), please reverse the seat(C) to match up the mounting position.

## Step 2



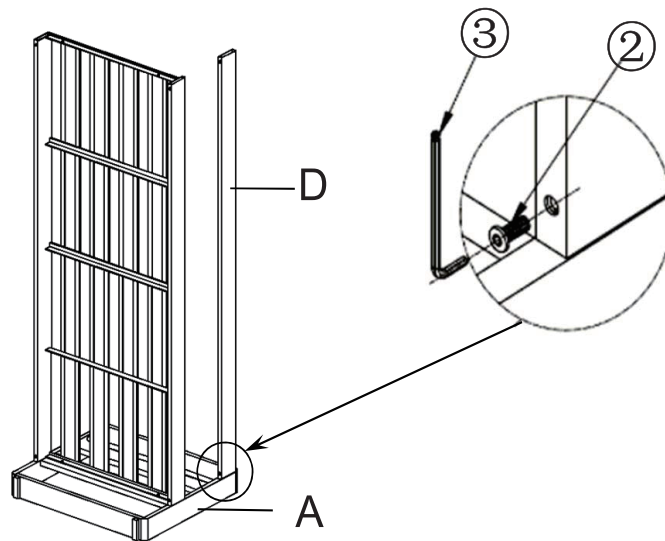
2.1) Attach Seat Panel(C) to Left Side Panel(A) using Bolts(①) with Allen Wrench (③) as shown above.  
2.2) Attach Seat Panel(C) to Left Side Panel(A) using Bolts(②) with Allen Wrench (③) as shown above.

**Step3**



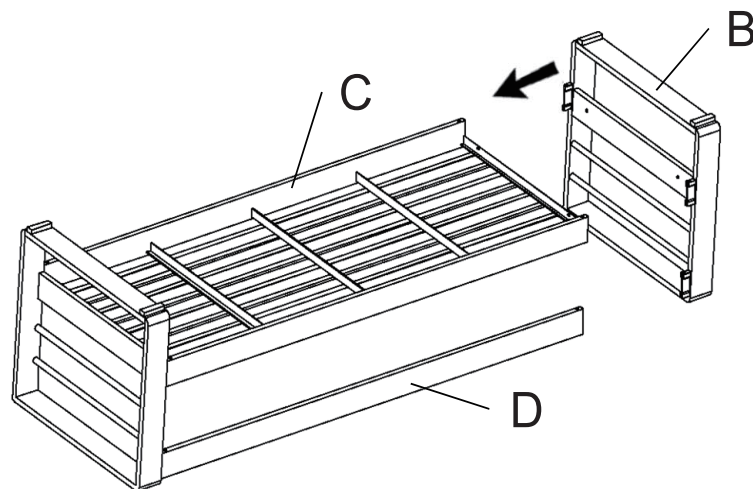
Insert the Back Support Bar(D) into the Left Side Panel(A).

**Step4**



Attach Back Support Bar(D) to the Side Panel(A) using Bolt (2) with Allen Wrench(3). Do not fully tighten the Bolt.

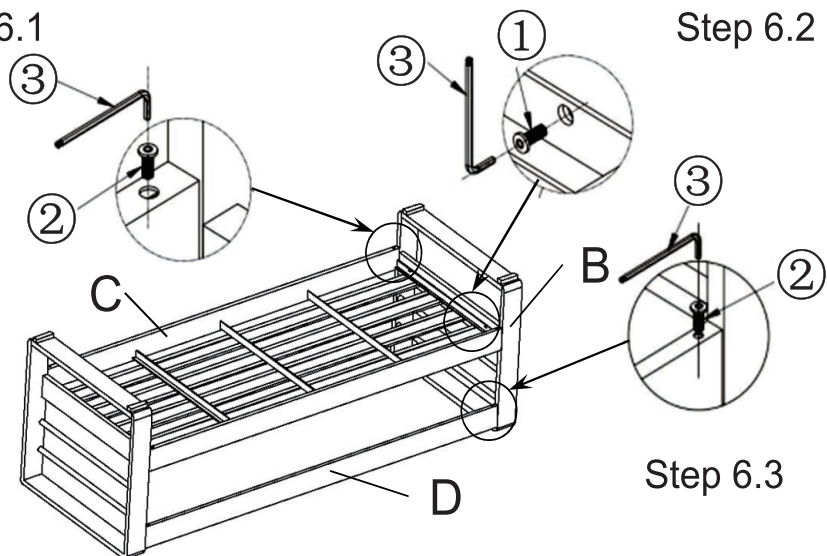
**Step5**



Insert the Right Side Panel(B) into the Back Support Bar(D) and Seat Panel(C) as shown above.

## Step6

### Step 6.1



### Step 6.2

### Step 6.3

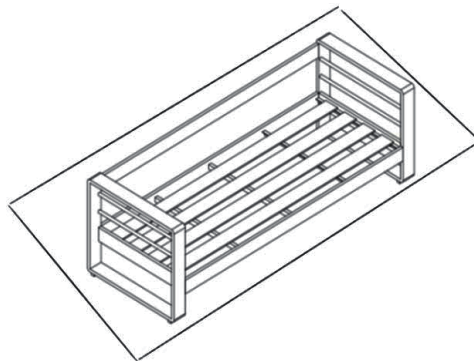
6.1) Attach Right Side Panel(B) to Seat Panel(C) using Bolts(2) with Allen Wrench (3) as shown above.

6.2) Attach Right Side Panel(B) to Seat Panel(C) using Bolts(1) with Allen Wrench(3) as shown above.

6.3) Attach Back Support Bar(D) to Right Side Panel(B) using Bolt(2) with Allen Wrench (3) shown above.

Do not fully tighten the Bolts.

## Step7



Set up the love sofa.

Place the love sofa on a level.

Check and ensure that all parts are fully connected.

Sit gently and carefully on the sofa.

This will help align all the parts at all the joints.

Then carefully leave the sofa and tighten all the bolts in sequence.

When tightening bolts, tighten them in sequence.

Do not tighten any bolts completely and proceed to the next bolt.

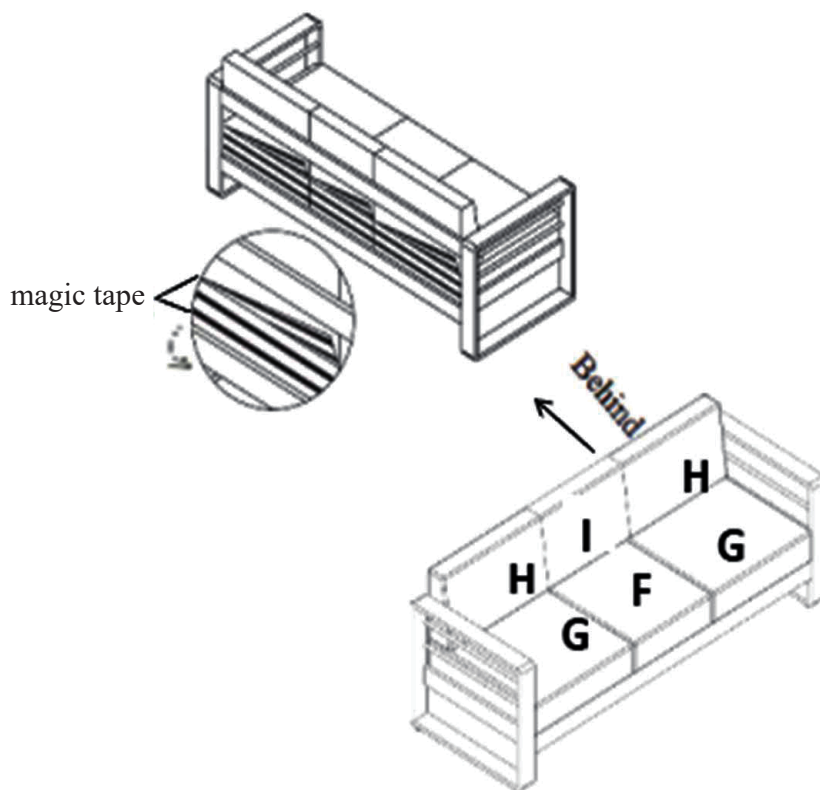
This can lead to distortion of the frame.

If there is still shaking, loosen the bolt and perform the same procedure.

If the sofa is unstable, the product may be damaged.

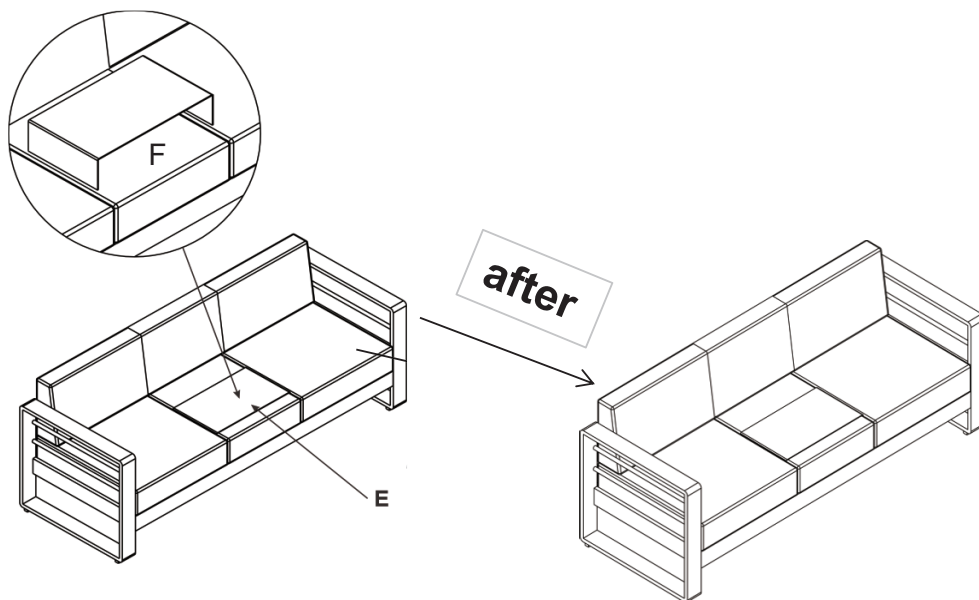
Note: this step is best done with the help of a second adult.

### Step8























Put seat (G), middle seat (F), cushion (H) and middle cushion (I) on the two-person sofa. Then stick the magic tape from the back pad to the seat cushion, as shown above.

### Step9



Put the U Shape Board(E) on the Middle Cushion(F) as shown above.  
Your Loveseat is ready for use.  
This Loveseat can only be used on a flat, level surface.

## Care & Maintenance

-   ● Do not put hot items directly on furniture surface
  -   ● Do not clean furniture with harsh cleansers or polish.
  -   ● To obtain the longest lifespan of your outdoor products, minimizing exposure to direct sunlight is recommended.
  -   ● Children should not climb or jump on the furniture.
  -   ● Do not write on furniture without a padded barrier to protect the surface.
  -   ● To obtain the longest lifespan of your outdoor products, avoid extended and lengthy exposure to rain, snow, and direct sunshine. Whenever possible cover the product and /or place under patio or awnings.
  -   ● Not for commercial use. For residential use only .
  -   ● Stains may be removed with mild soap solution and damp cloth.
  -   ● Keep away from sources of ignition.
- 
-   ● Dust and pick-up spills using a clean, non-colored, lint-free cloth.