

# ASSEMBLY INSTRUCTIONS



## + Do Not Use Power Tools



## + Suggested Adults



### NOTE:

- 1 Read instructions cover to cover.
- 2 Save all packaging until assembly is completed.

## 1 IMPORTANT SAFETY INFORMATION

**Do not** assemble the product if any of the following parts arrived damaged:

- Part # - Base
- Part # - Table Top
- Part # - Connection Panel

## 2 IMPORTANT ASSEMBLY INFORMATION

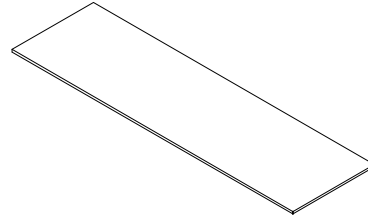
**Assembly Step** Use Bolt , to connect Part to Part .

**Assembly Step** Use Bolt , to connect Part , and part , to Part .

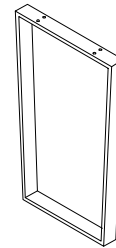
**\*Warning:** Do not over tighten screws, or it could damage the Table Top.

## + Parts Included

① TABLE TOP 1PC



② TABLE BASE 2PCS



## + Hardware Included

A ALLEN WRENCH 1PC

M8



B BOLT 8PCS

M8\*25MM



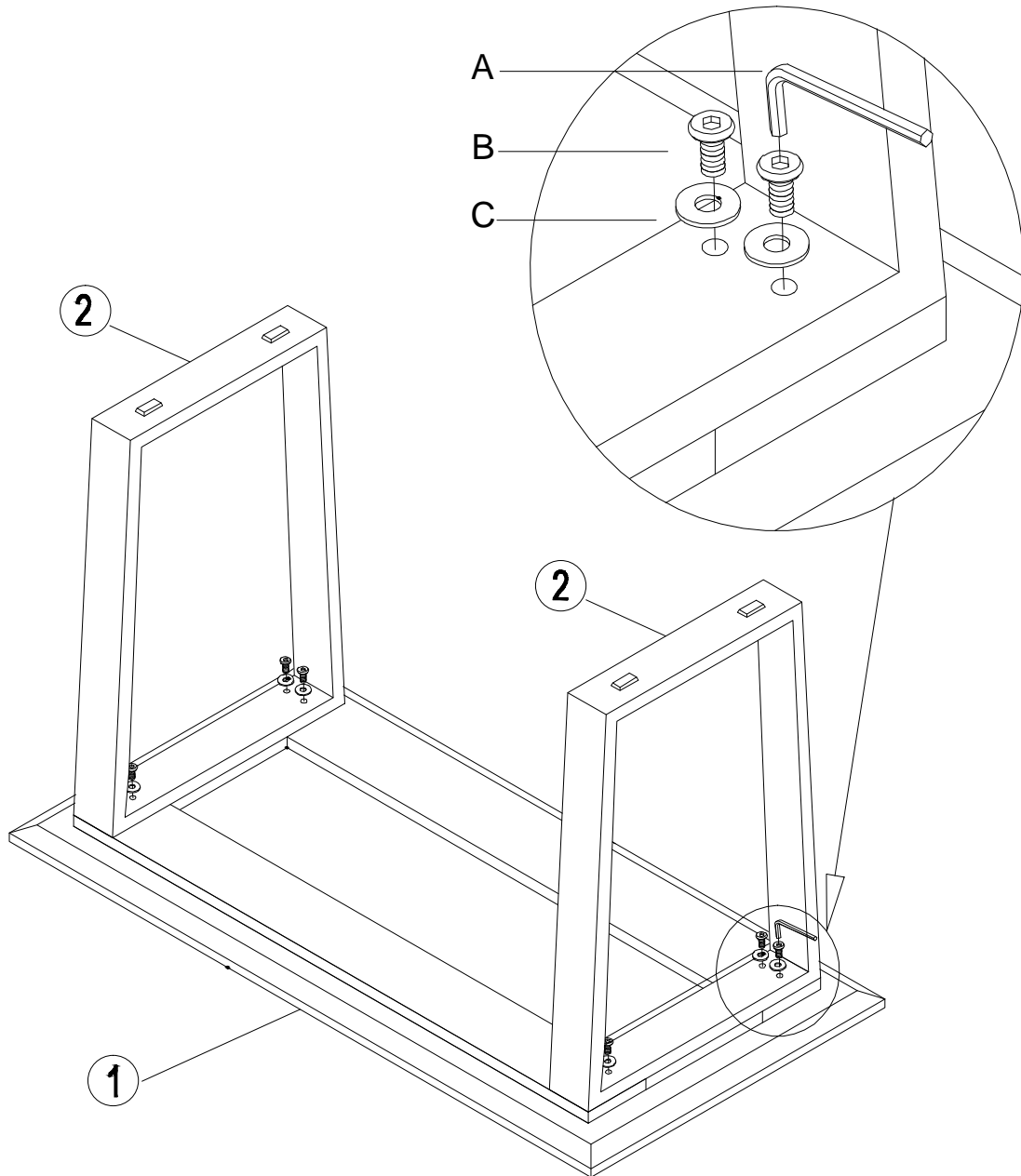
C FLAT WASHER 8PCS

Ø18\*Ø8



# ASSEMBLY INSTRUCTIONS

1



**Note:** Do not over tighten screws