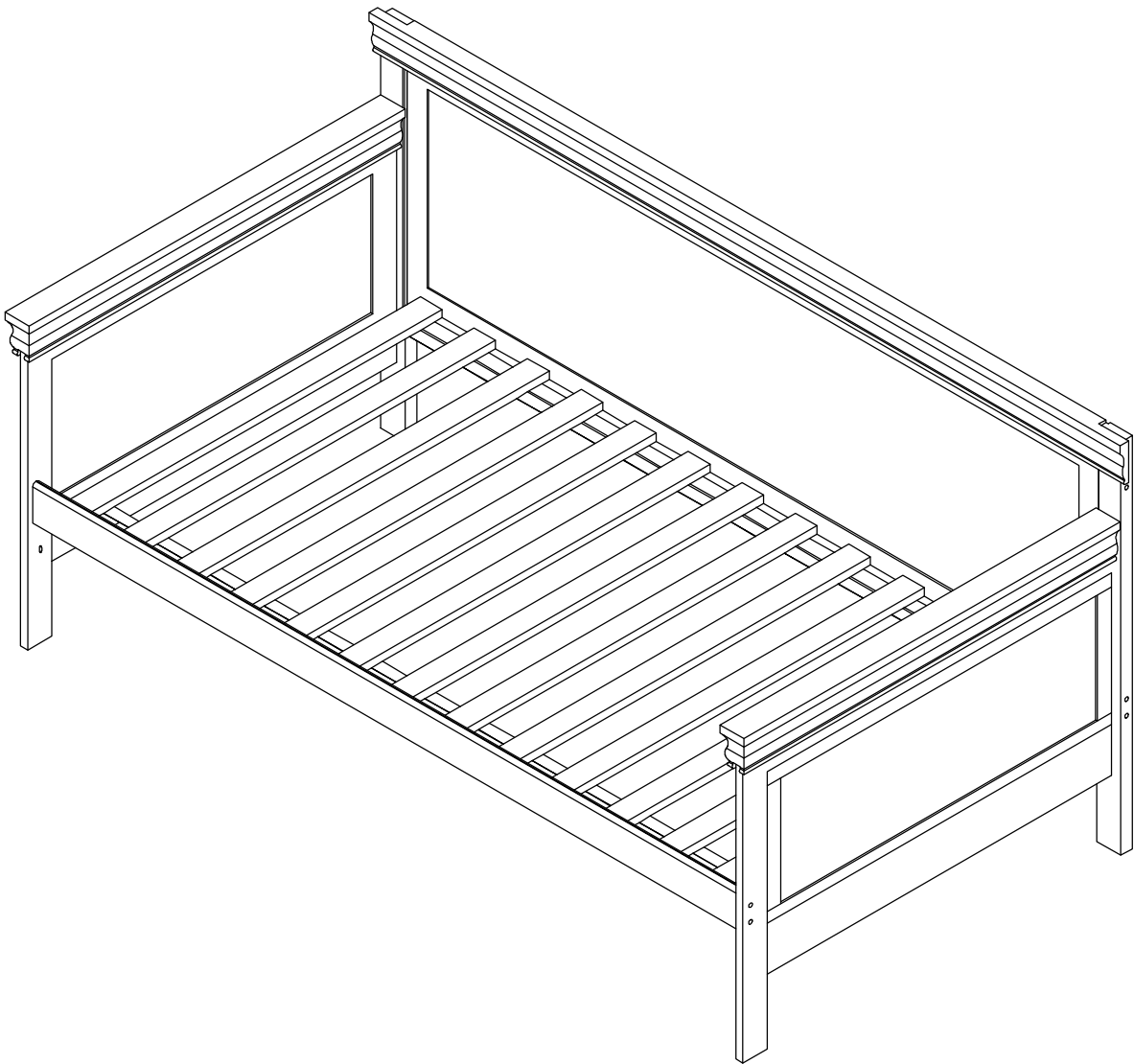






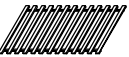


ASSEMBLY INSTRUCTIONS






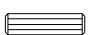



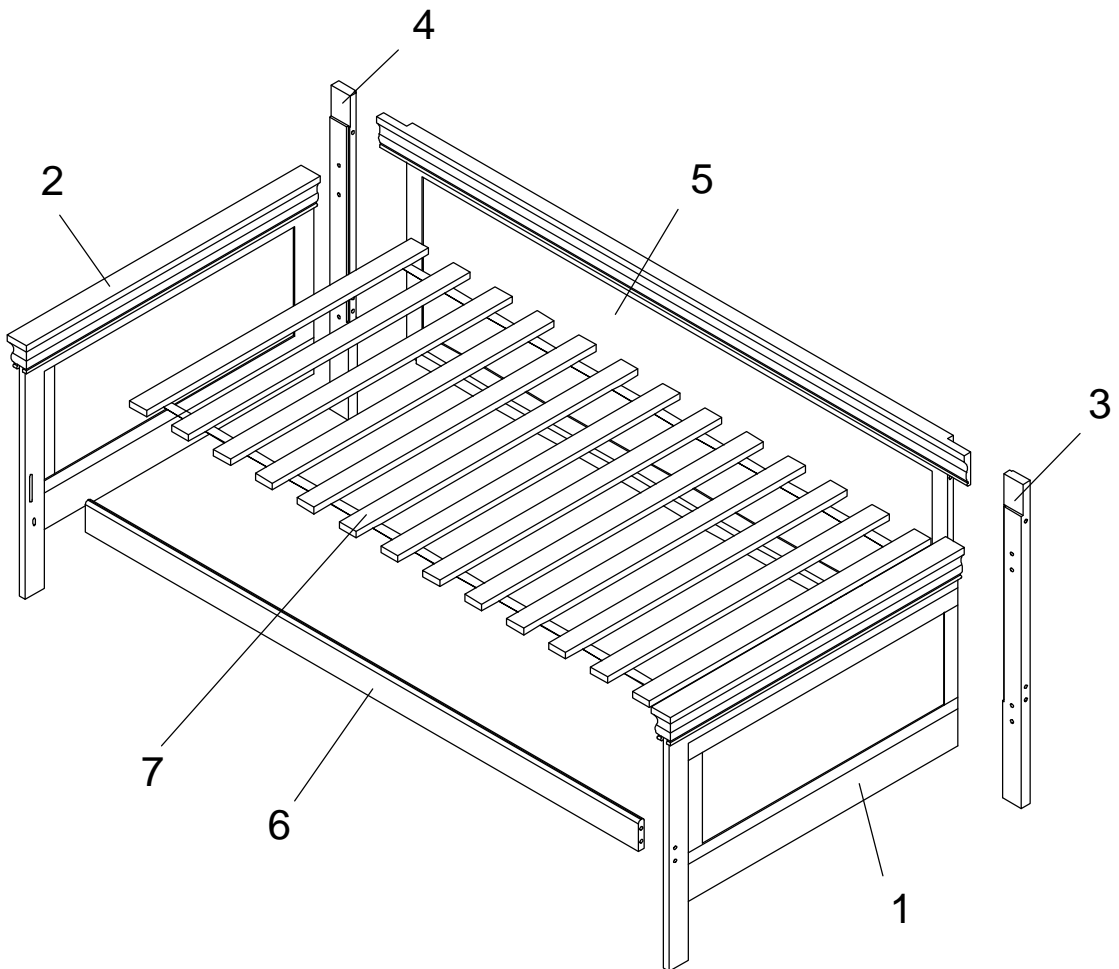
Do not tighten screws until each step is completed.

PARTS LIST

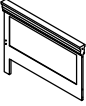
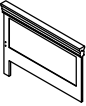
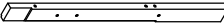

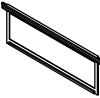

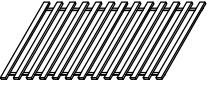
No	Diagram	Description	Q'ty
1		RIGHT HEABOARD	1 pc
2		LEFT HEADBOARD	1 pc
3		RIGHT LEG	1 pc
4		LEFT LEG	1 pc
5		BACK PANEL	1 pc
6		FRONT RAIL	1 pc
7		SLATS (13pcs=1set)	1 set

HARDWARE LIST

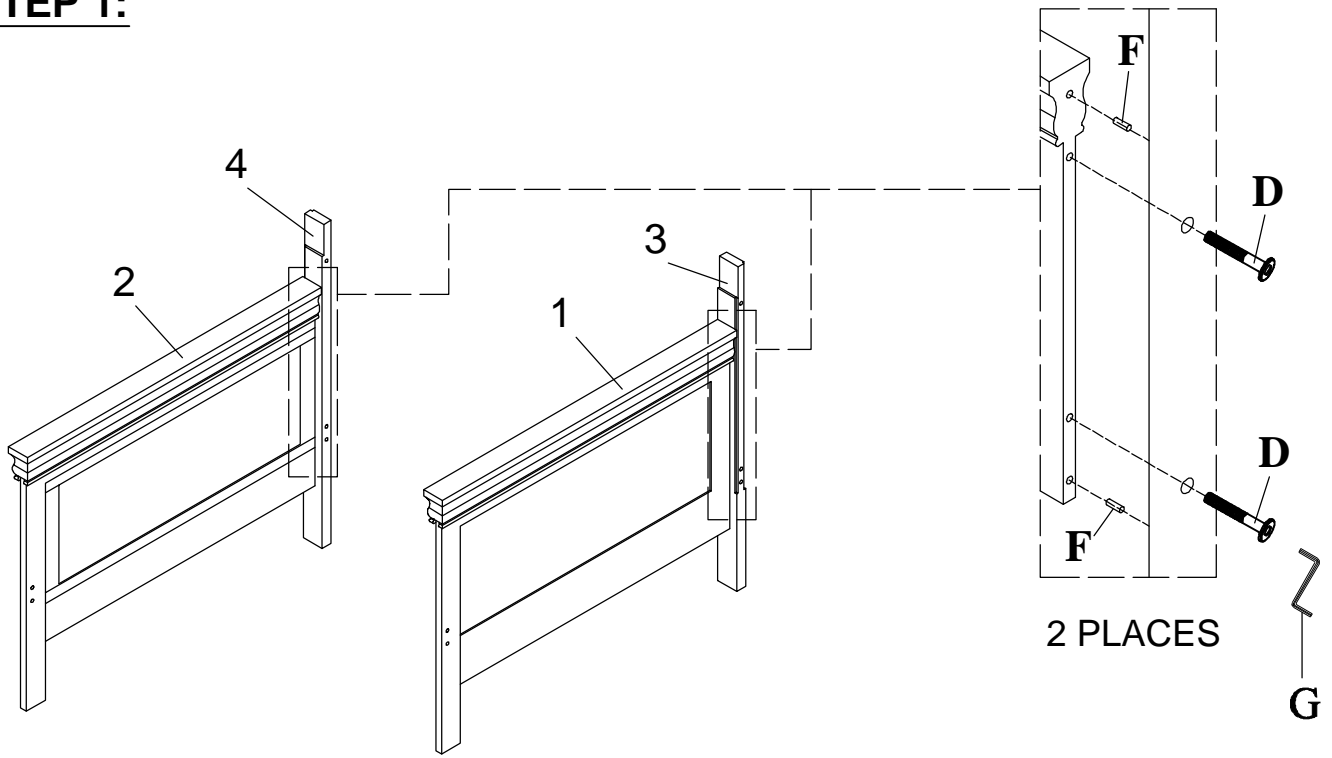
No	Diagram	Description	Q'ty
A		BOLT - 6.3 x 100(mm)	6 pcs
B		HALF ROUND NUT	10 pcs
C		BOLT - 6.3 x 80(mm)	4 pcs
D		BOLT - 6.3 x 60(mm)	4 pcs
E		SCREW - 4 x 30(mm)	26 pcs
F		WOOD DOEL - 10 x 40(mm)	4 pcs
G		ALLEN KEY	1 pc



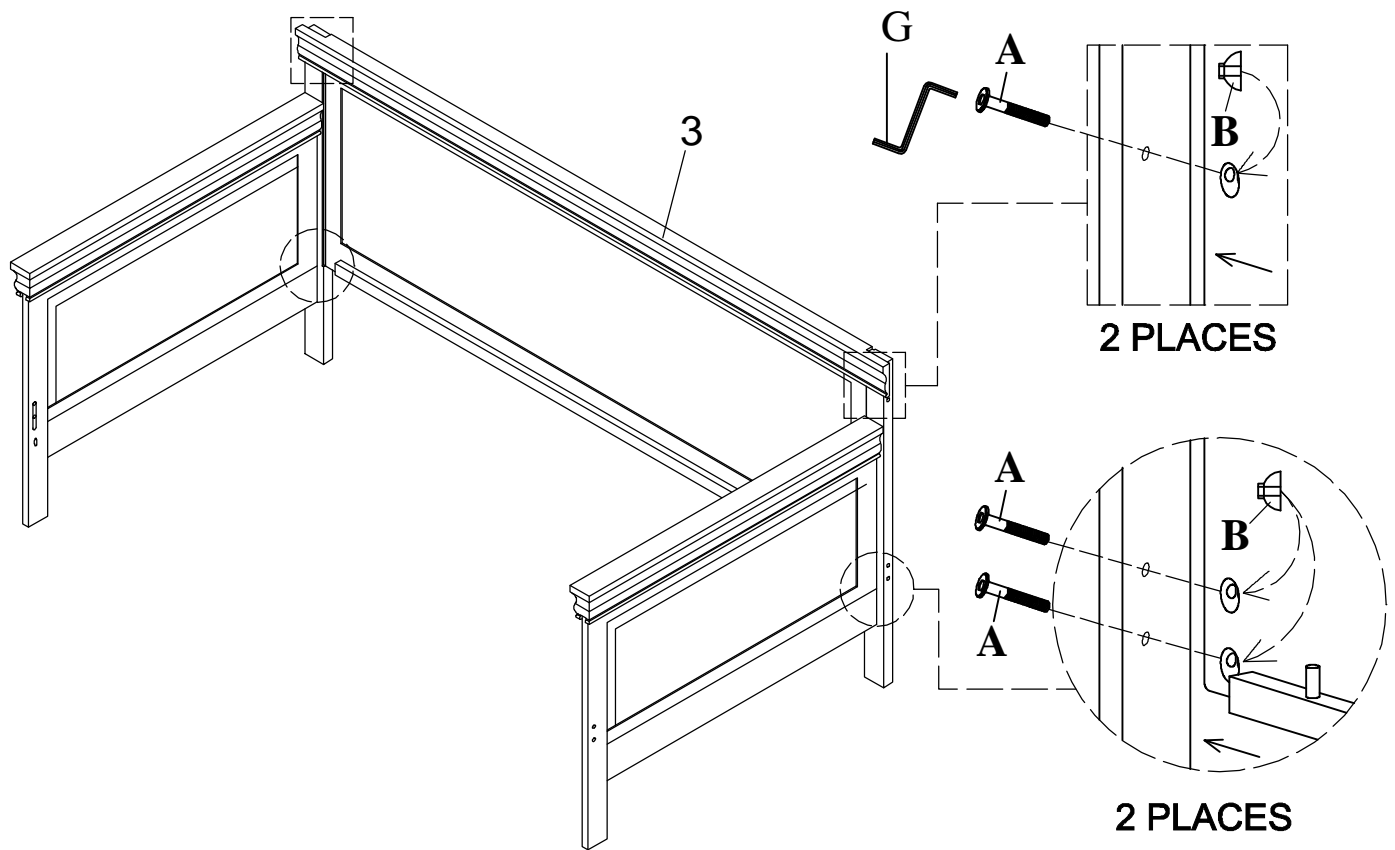
Packed in 2 cases

Carton	Disignation		Part	Hardware
	RIGHT HEABOARD	#1		
	LEFT HEABOARD	#2		
	RIGHT LEG	#3		
	LEFT LEG	#4		
	BACK PANEL	#5		HARDWARE BOX
	FRONT RAIL	#6		
	SLATS (13pcs=1set)	#7		

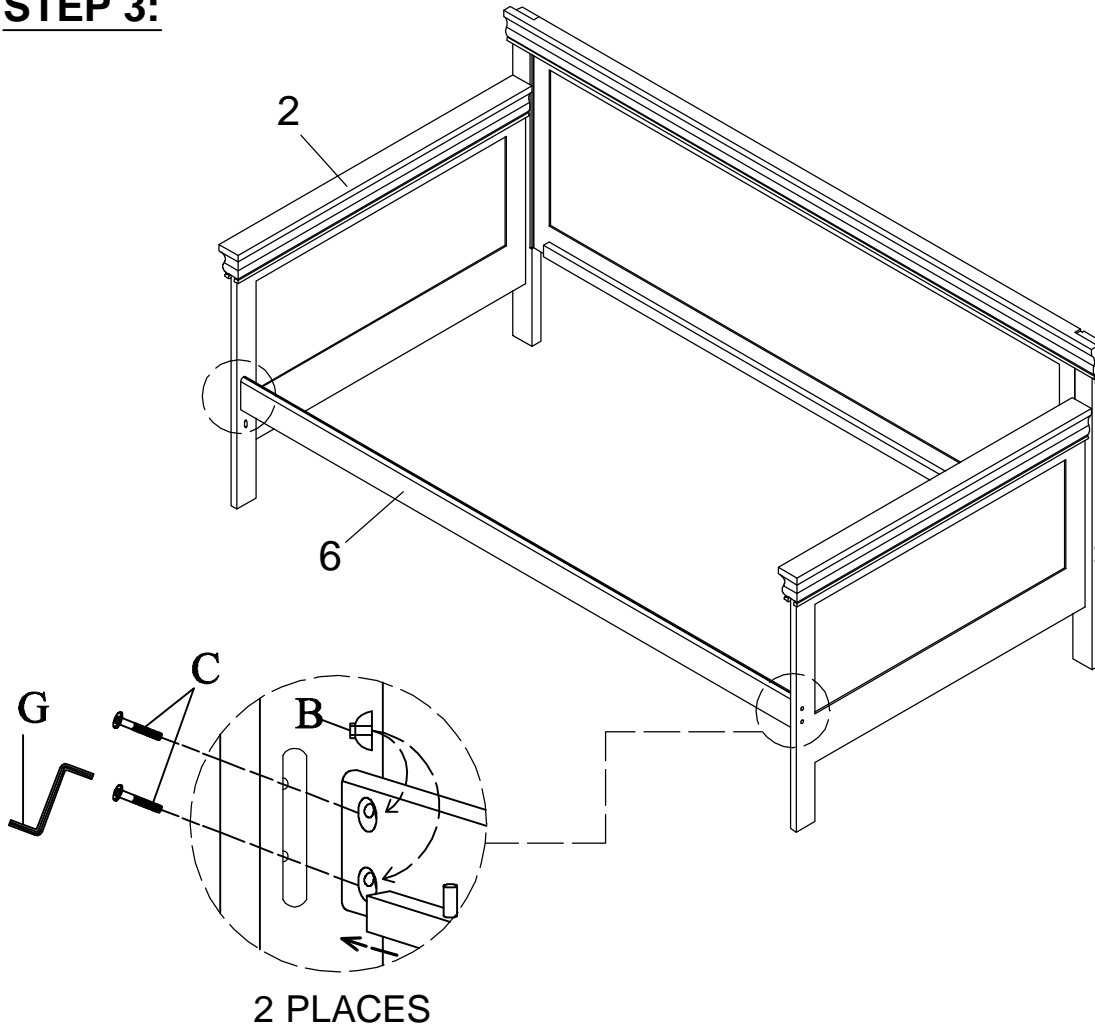
STEP 1:



STEP 2:



STEP 3:



STEP 4:

