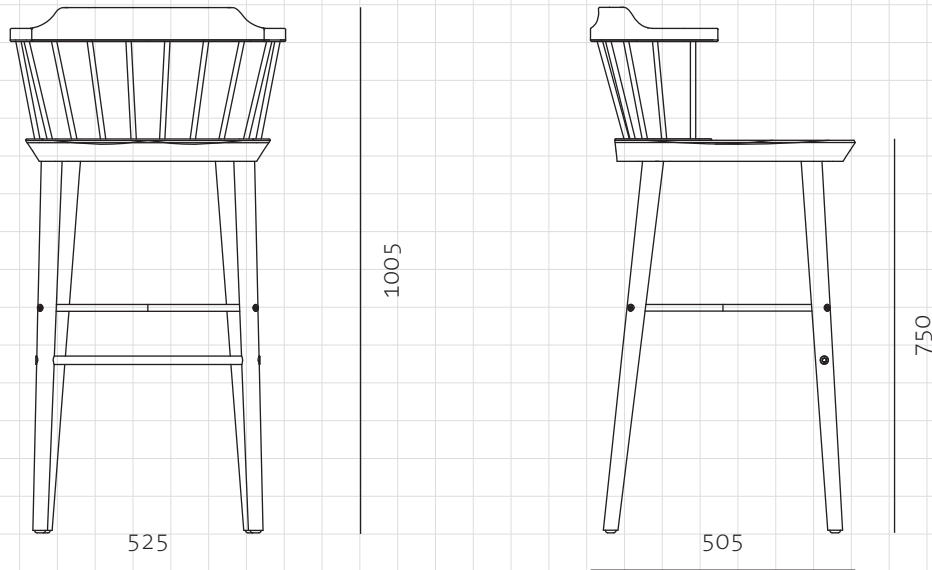


Exchange Bar Chair 2.0 SH750



CODE
DIMENSIONS

EX-S311-R2-750
W525 x D505 x H1005mm
Seating height: 750mm

NET WEIGHT
ENVIRONMENT
MATERIALS

8.0 kg
Indoor
Solid wood frame, wood veneer seat, steel black powder coat matt
*Please refer to website or contact your local representative for complete material swatches.

SHIPPING

Package	Assembled		
Package Qty	1 pcs/box		
Packaging	Measurement (mm)	Volume (cbm)	Gross Weight (kg)
FCL	W600 x D600 x H1140	0.41	15.57
LCL/AIR	W620 x D620 x H1235	0.47	20.04