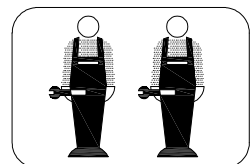
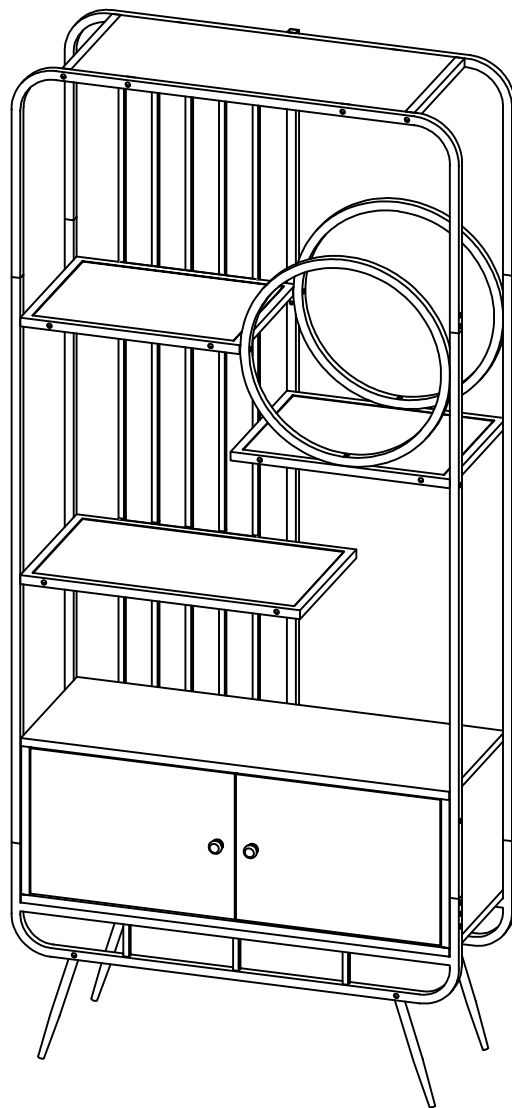
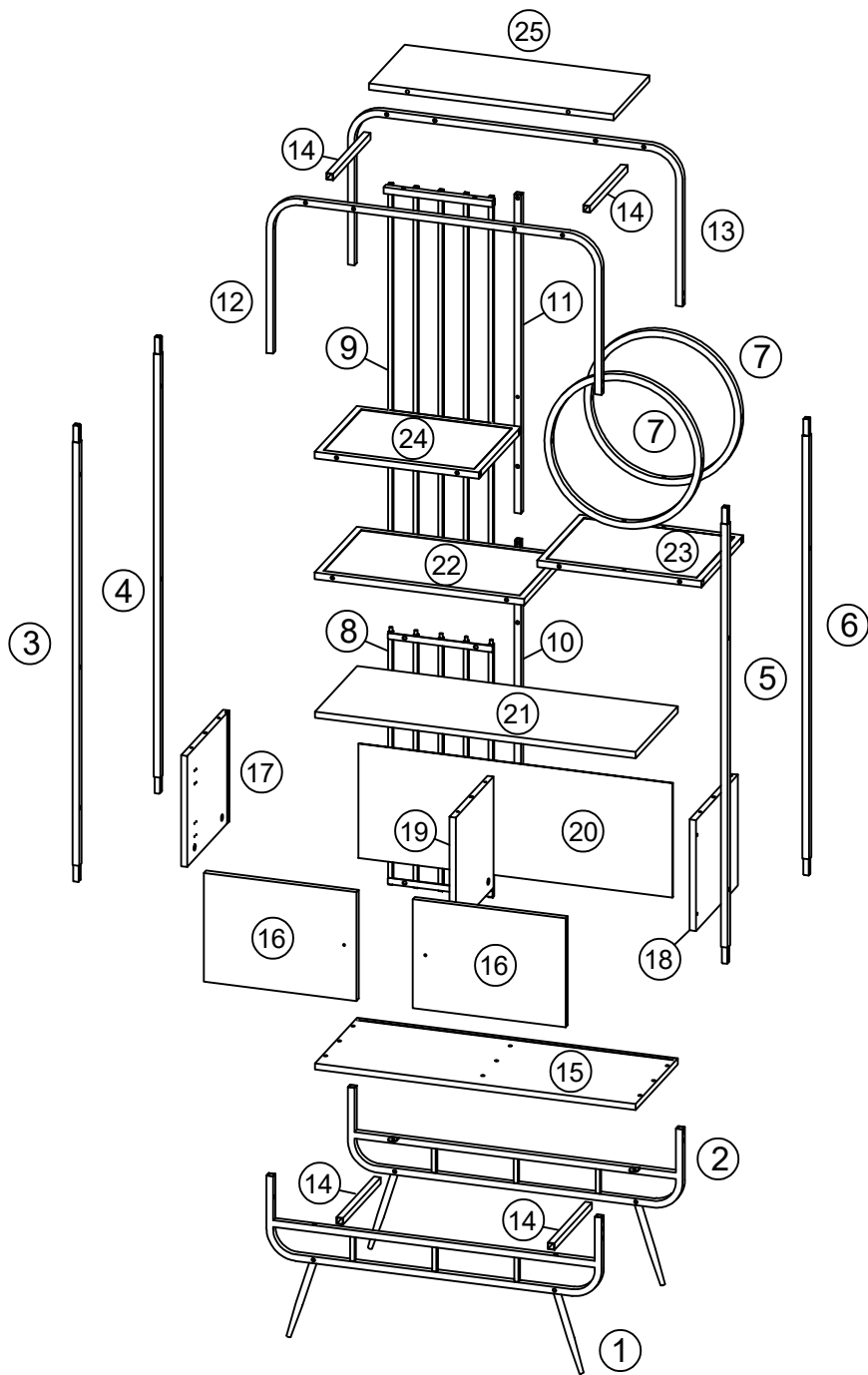
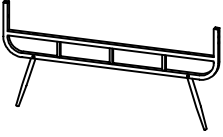
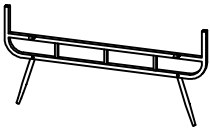




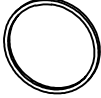




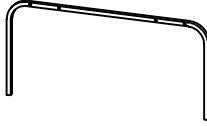
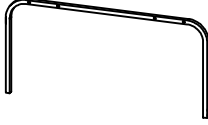
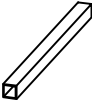

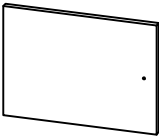



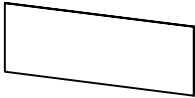







ASSEMBLY INSTRUCTIONS



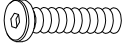
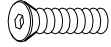

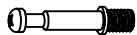


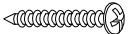






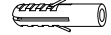





Part List

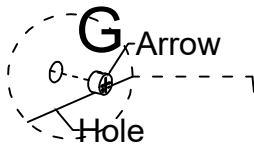
| | | | |
|---|---|--|---|
|  |  |  |  |
| ①×1pc | ②×1pc | ③×1pc | ④×1pc |
|  |  |  |  |
| ⑤×1pc | ⑥×1pc | ⑦×2pcs | ⑧×1pc |
|  |  |  |  |
| ⑨×1pc | ⑩×1pc | ⑪×1pc | ⑫×1pc |
|  |  |  |  |
| ⑬×1pc | ⑭×4pcs | ⑮×1pc | ⑯×2pcs |
|  |  |  |  |
| ⑰×1pc | ⑱×1pc | ⑲×1pc | ⑳×1pc |
|  |  |  |  |
| ㉑×1pc | ㉒×1pc | ㉓×1pc | ㉔×1pc |
|  | | | |
| ㉕×1pc | | | |

Hardware List

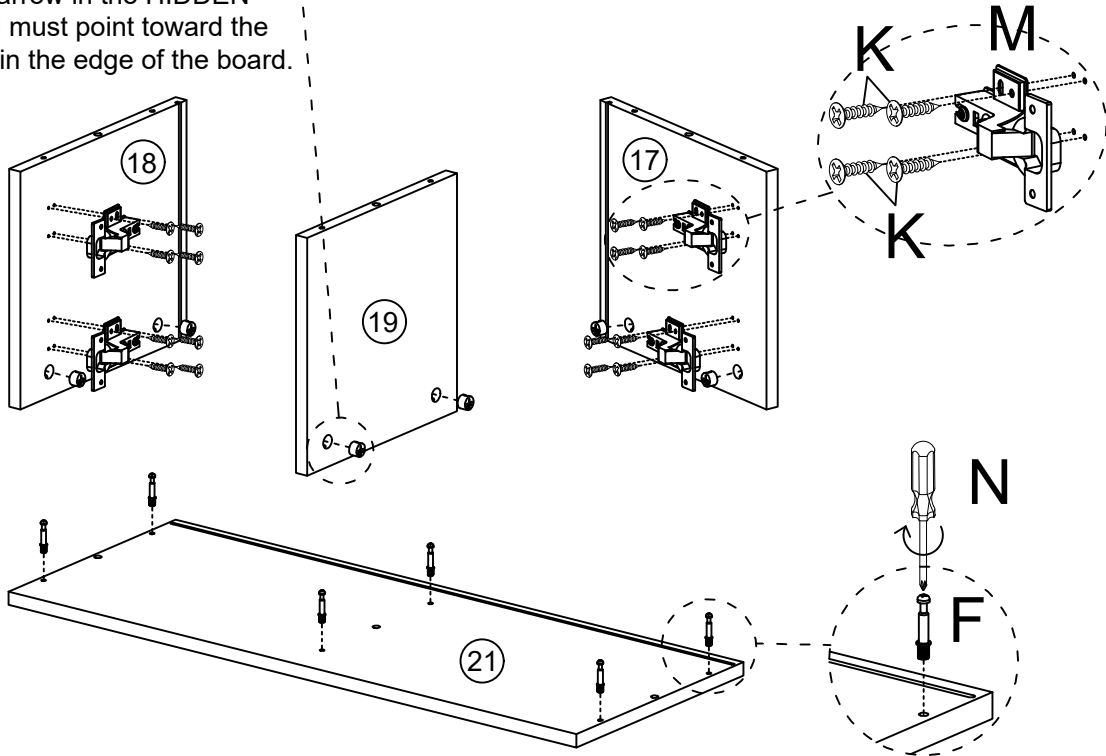
| | | | | | | | |
|---|-----|---|----|---|-----|---|----|
| A | X27 | B | X6 | C | X20 | D | X6 |
|  | |  | |  | |  | |
| M6X12mm | | M6X25mm | | M6X30mm | | M6X28mm | |
| E | X10 | F | X6 | G | X6 | H | X6 |
|  | |  | |  | |  | |
| φ7X40mm | | φ6X35mm | | φ15X12mm | | φ8X30mm | |
| I | X2 | J | X2 | K | X24 | L | X2 |
|  | |  | |  | |  | |
| 4X35mm | | M4X18mm | | 3.5X14mm | | | |
| M | X4 | N | X1 | O | X1 | P | X2 |
|  | |  | |  | |  | |
| | | | | M4 | | φ6X30mm | |
| Q | X2 | | | | | | |
|  | | | | | | | |
| | | | | | | | |

Step 1


| | | | | | | | |
|---|----|---|----|---|-----|---|----|
| F | X6 | G | X6 | K | X16 | M | X4 |
|  | |  | |  | |  | |
| φ6X35mm | | φ15X12mm | | 3.5X14mm | | | |

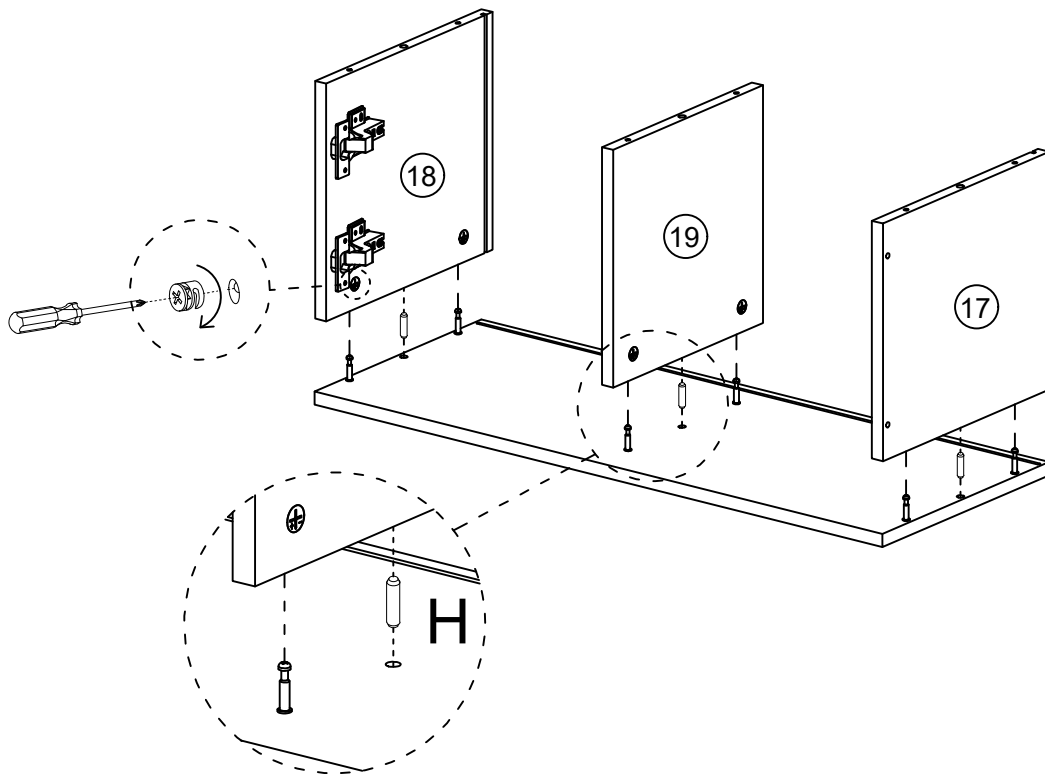


The arrow in the HIDDEN CAM must point toward the hole in the edge of the board.

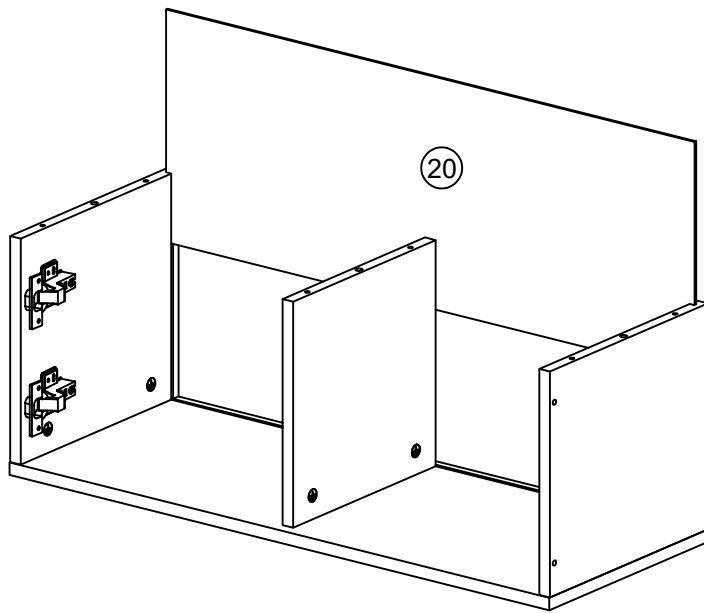


Step 2

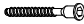
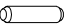
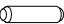
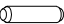
| | |
|---|----|
| H | X3 |
|  | |
| φ8X30mm | |

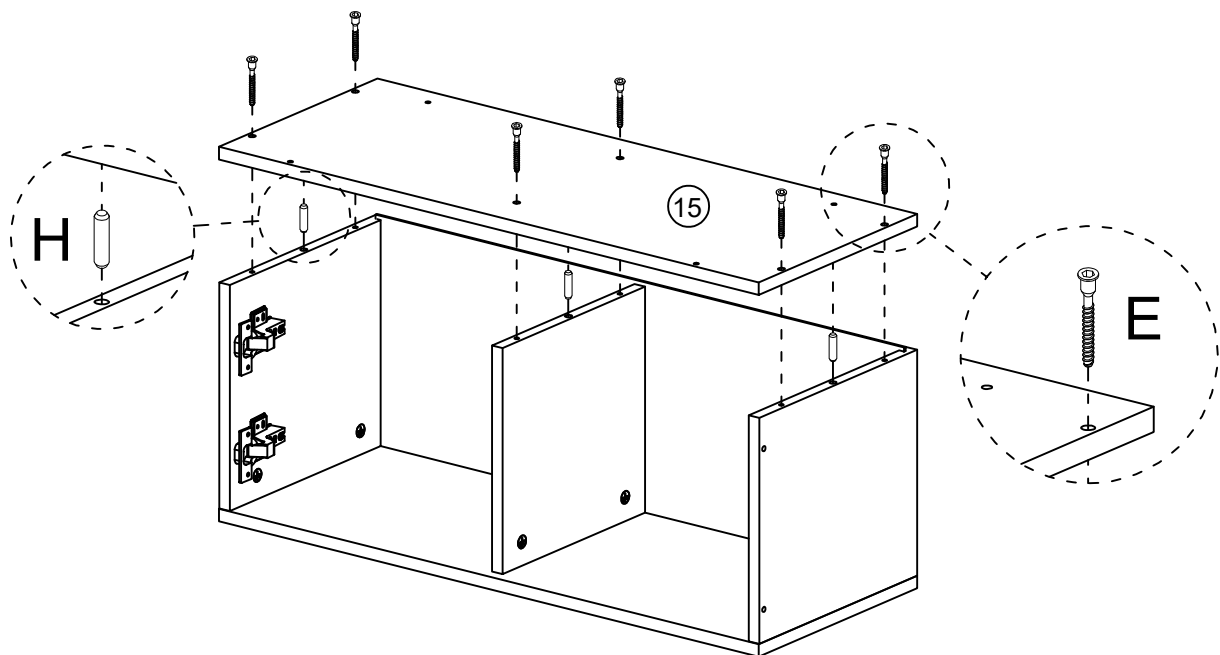


Step 3


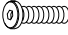


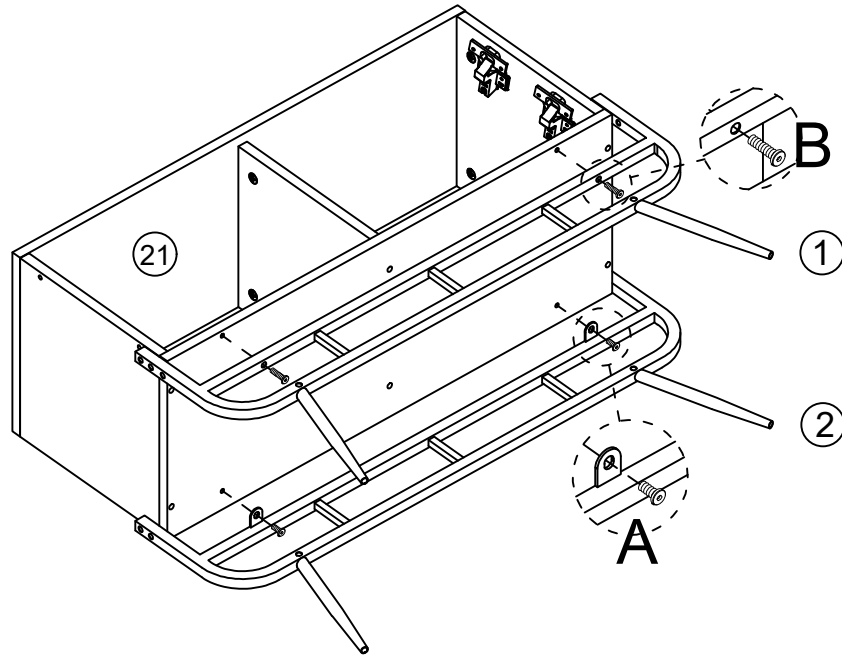
Step 4

| E | X6 | H | X3 |
|---|---|---|---|
|  |  |  |  |
| $\varnothing 7 \times 40 \text{mm}$ | | $\varnothing 8 \times 30 \text{mm}$ | |


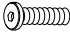



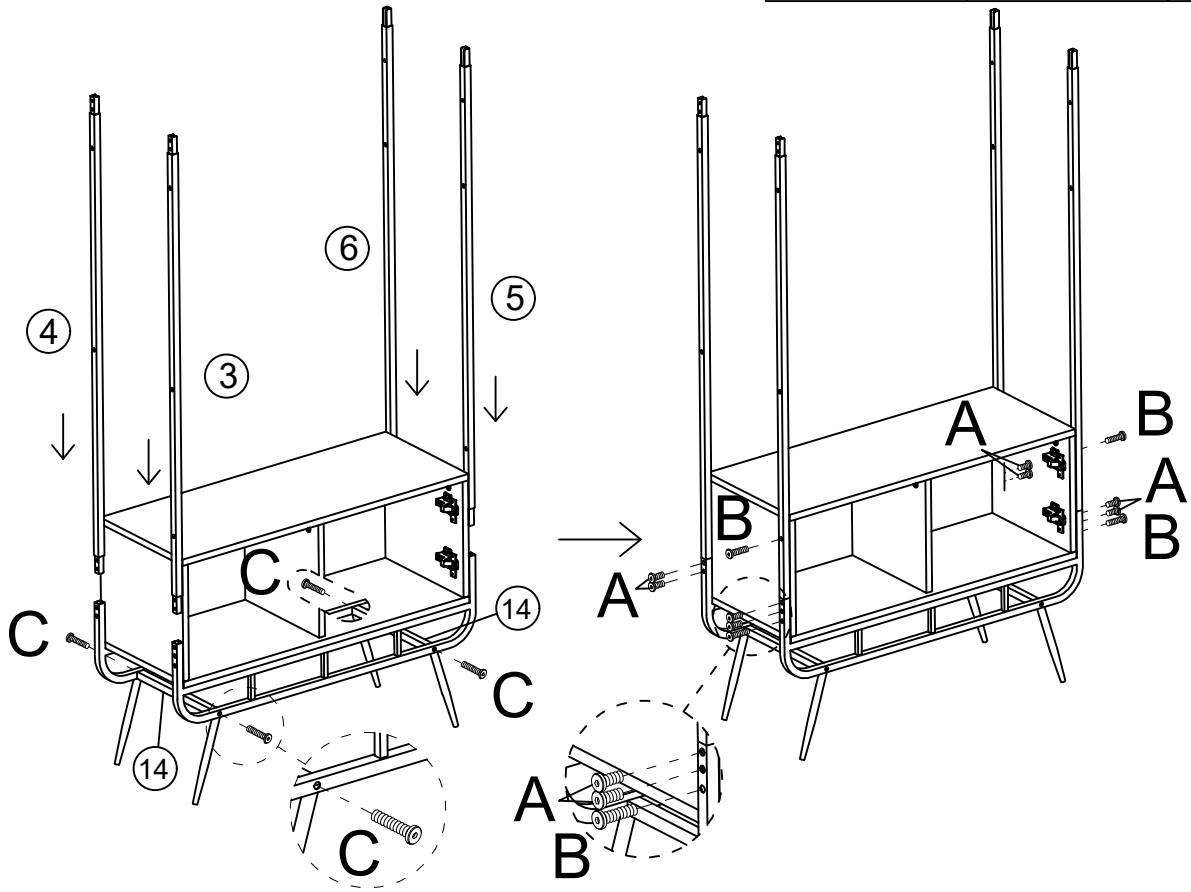
Step 5

| | | | |
|---|----|---|----|
| A | X2 | B | X2 |
|  | |  | |
| M6X12mm | | M6X25mm | |




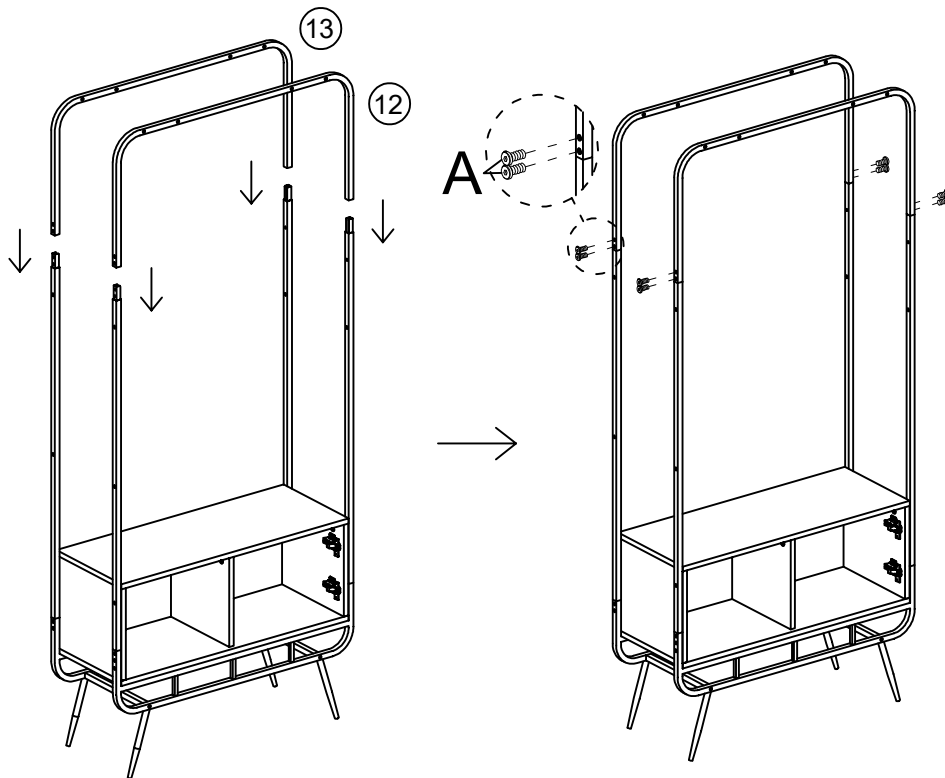
Step 6

| | | | | | |
|---|----|---|----|---|----|
| A | X8 | B | X4 | C | X4 |
|  | |  | |  | |
| M6X12mm | | M6X25mm | | M6X30mm | |

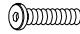



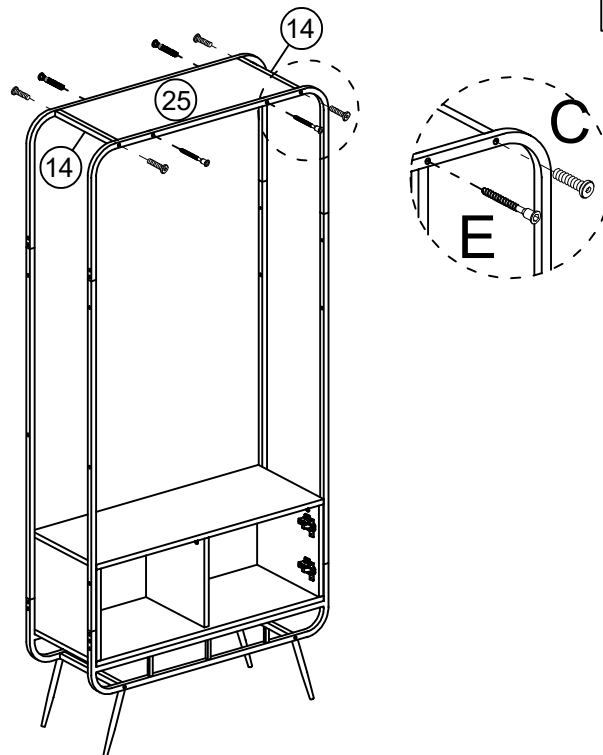
Step 7

| | |
|---|----|
| A | X8 |
|  | |
| M6X12mm | |


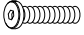


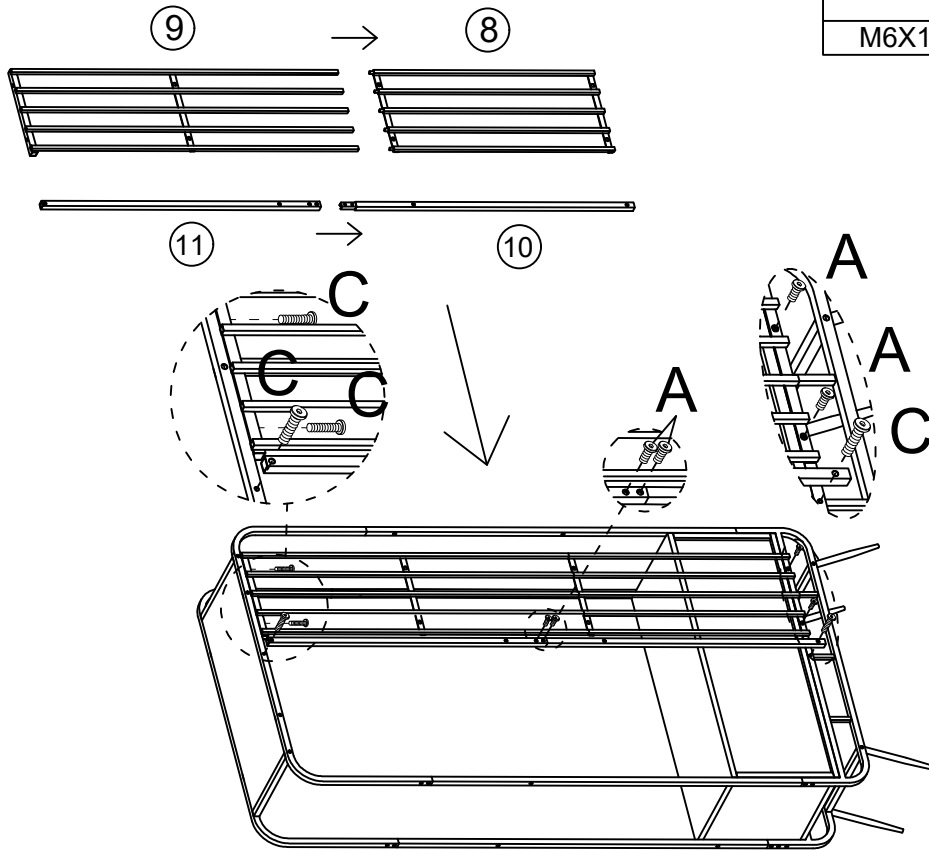
Step 8

| | | | |
|---|----|---|----|
| C | X4 | E | X4 |
|  | |  | |
| M6X30mm | | φ7X40mm | |

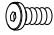


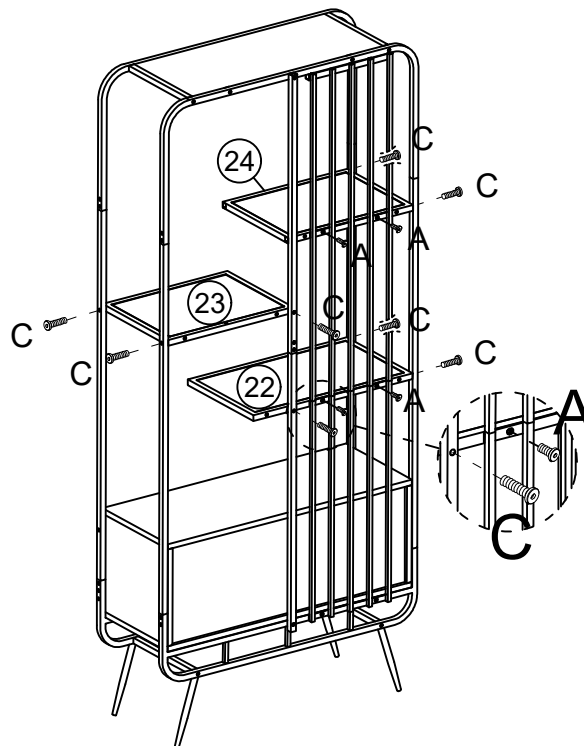
Step 9

| | | | |
|---|----|---|----|
| A | X4 | C | X4 |
|  | |  | |
| M6X12mm | | M6X30mm | |

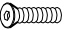


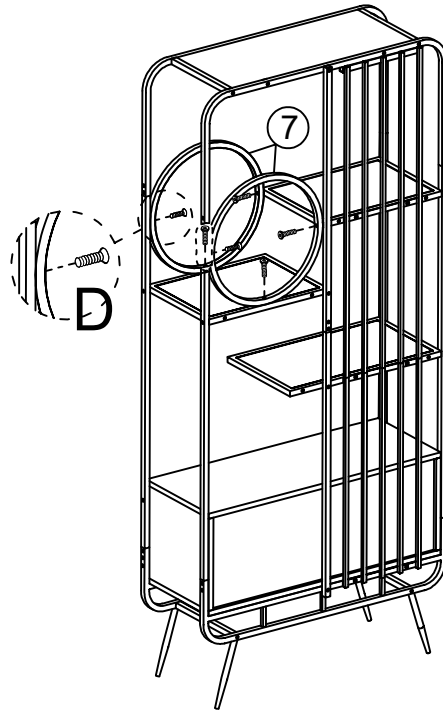
Step 10

| | | | |
|---|----|---|----|
| A | X4 | C | X8 |
|  | |  | |
| M6X12mm | | M6X30mm | |

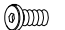


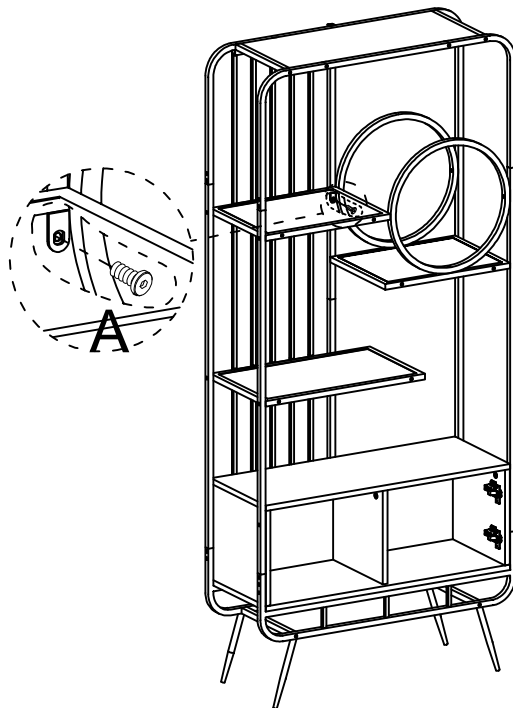
Step 11

| | |
|---|----|
| D | X6 |
|  | |
| M6X28mm | |




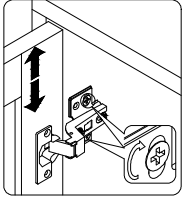
Step 12

| | |
|---|----|
| A | X1 |
|  | |
| M6X12mm | |

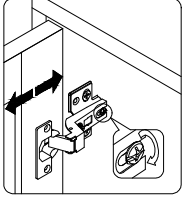


Step 13

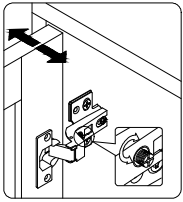
| | |
|---|----|
| K | X8 |
|  | |
| 3.5X14mm | |



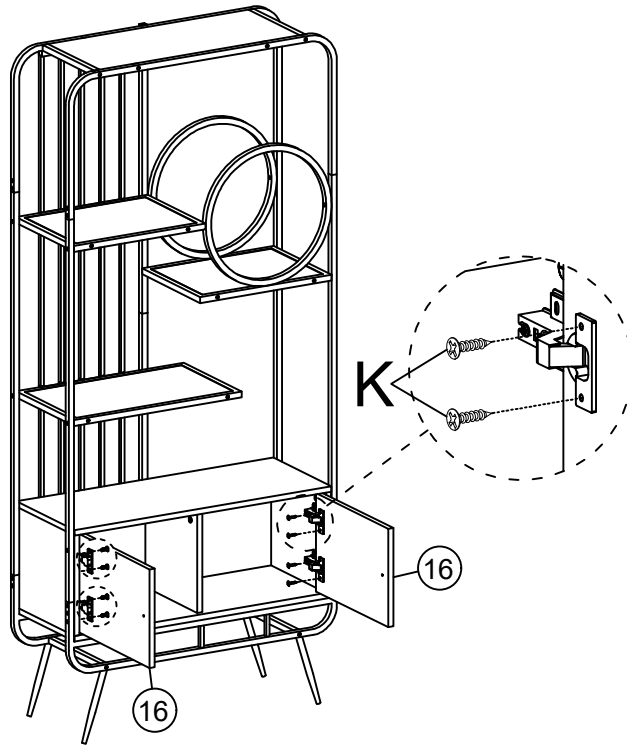
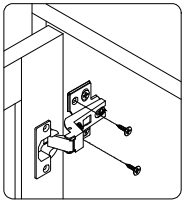
Adjust screws as image-1 to adjust the cabinet door up and down, to fit.




Adjust screws as image-2 to pull the cabinet door in and out to open it smoothly.

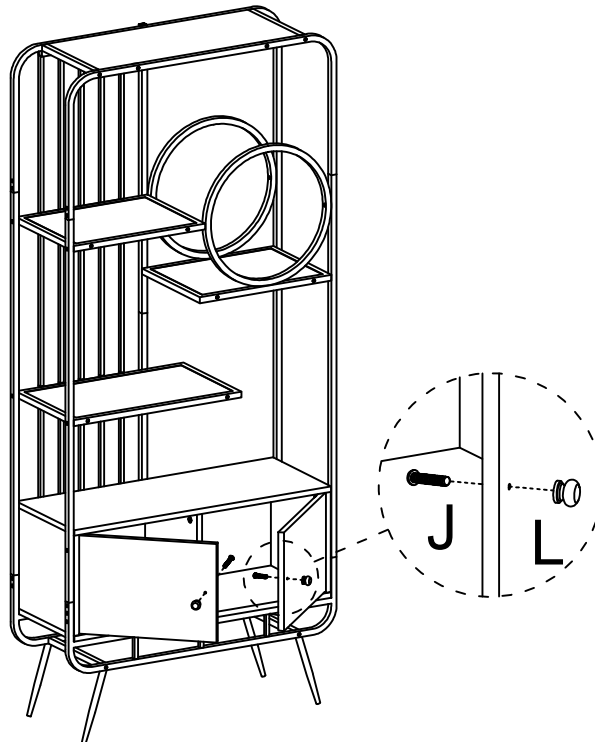


Adjust screws as image-3 to adjust the cabinet door right and left, to fit.

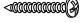




Step 14

| | | | |
|---|----|---|----|
| J | X2 | L | X2 |
|  | |  | |
| M4X18mm | | | |



Step 15

| I | X2 | P | X2 | Q | X2 |
|--|----|---|----|---|----|
|  | |  | |  | |
| 4X35mm | | φ6X30mm | | | |

