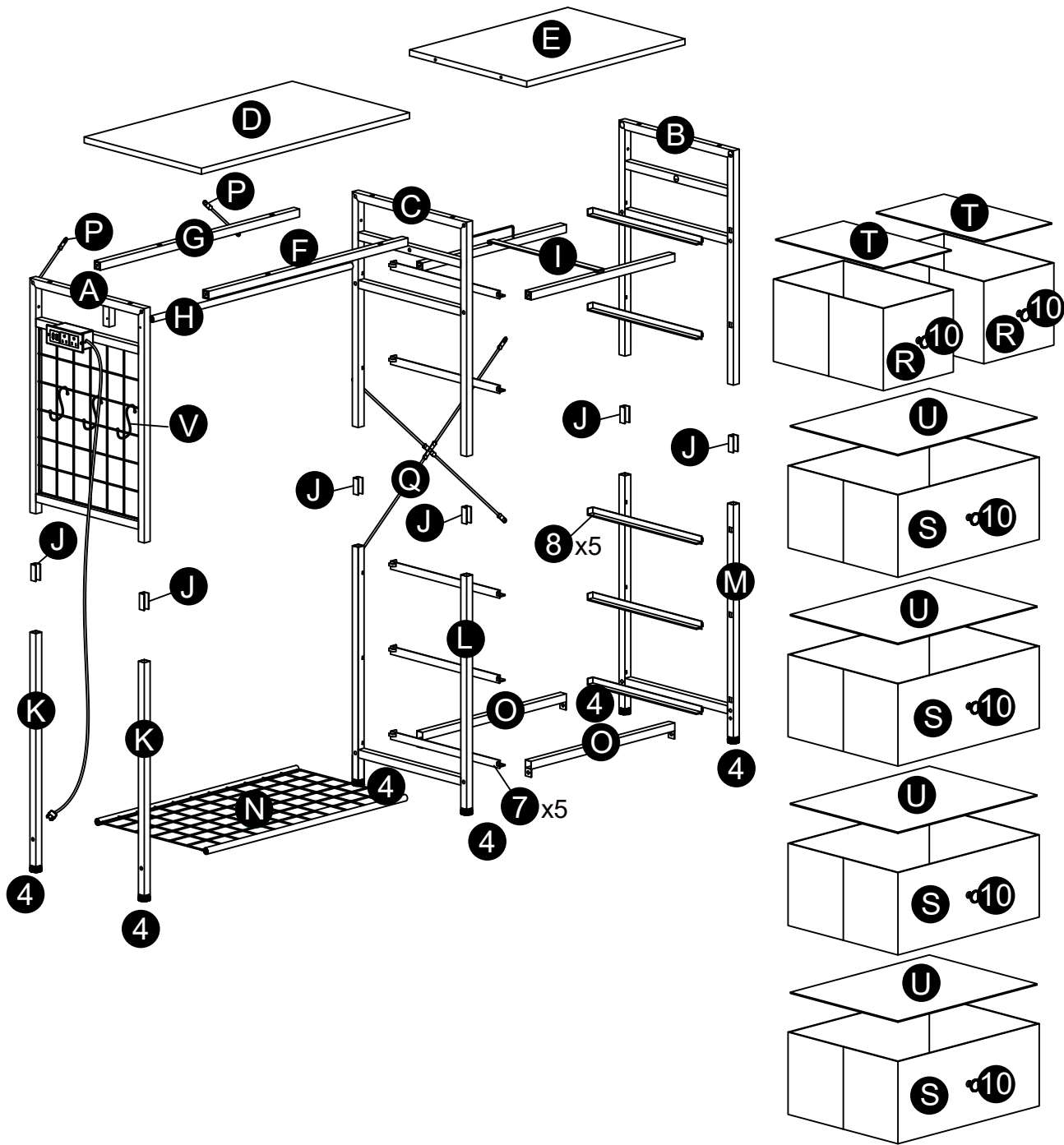


**Drawer  
Storage Tower**  
Instruction Manual

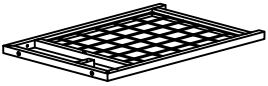
**Torre de almacenaje  
con cajones**  
Manual de instrucciones

**Tour de Rangement  
à tiroirs**  
Manuel d'Instruction





**A** x1

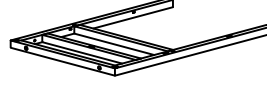


**B** x1



EN: Right / Derecha / Droit

**C** x1

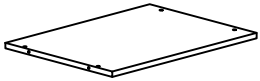


EN: Left / Izquierda / Gauche

**D** x1



**E** x1



**F** x1



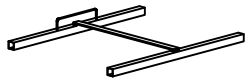
**G** x1



**H** x1



**I** x1



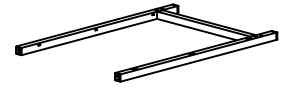
**J** x6



**K** x2

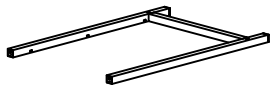


**L** x1

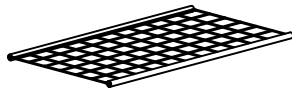


Left

**M** x1



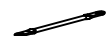
**N** x1



**O** x2



**P** x2

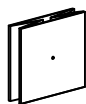


EN: Right / Derecha / Droit

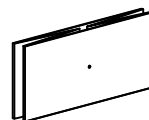
**Q** x1



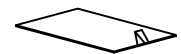
**R** x2



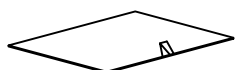
**S** x4



**T** x2



**U** x4



**V** x3

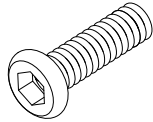


**1**x2



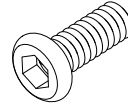
Ø6x30mm

**2**x21



M6x30mm

**3**x27

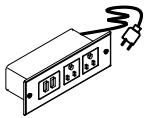


M6x12mm

**4**x6



**5**x1



**6**x2



#3.5x12mm

**7**x5



**8**x5



**9**x6



M4x10mm

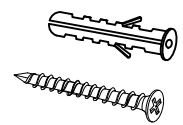
**10**x6



**11**x1



**12**x2



**13**x1



EN: (Remote for light strip)

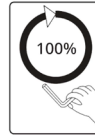
ES: (Mando a distancia para la tira de luces)

FR: (Télécommande pour bande lumineuse)

# 3

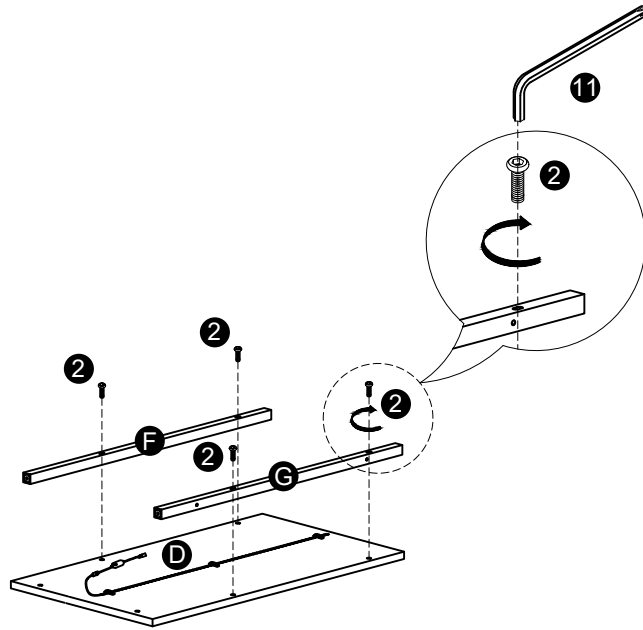
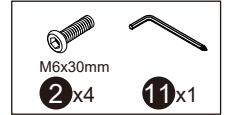
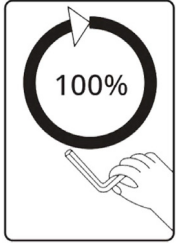


EN: : Partially tighten the screws.  
ES: : Apriete parcialmente los tornillos.  
FR: : Serrez d'abord les vis partiellement.

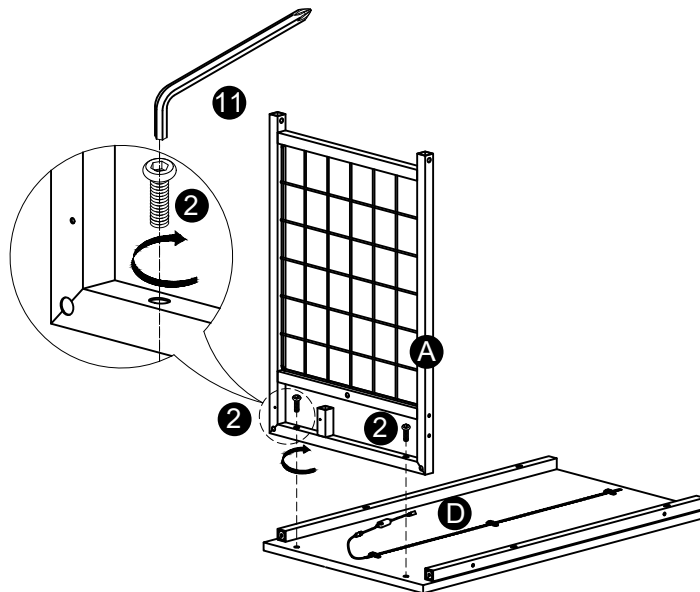
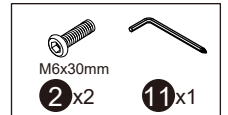
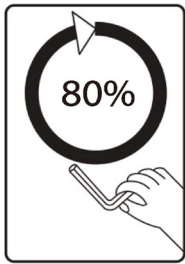


EN: : Fully tighten the screws.  
ES: : Apriete completamente los tornillos.  
FR: : Serrez les vis complètement.

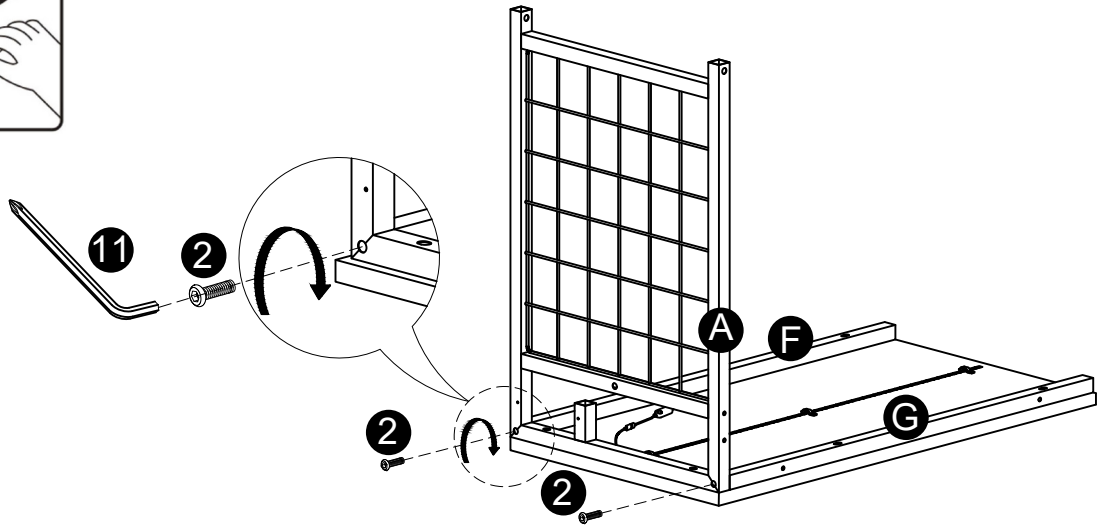
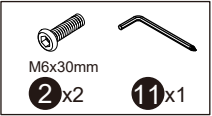
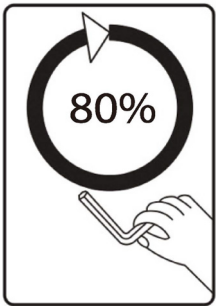
## STEP 1



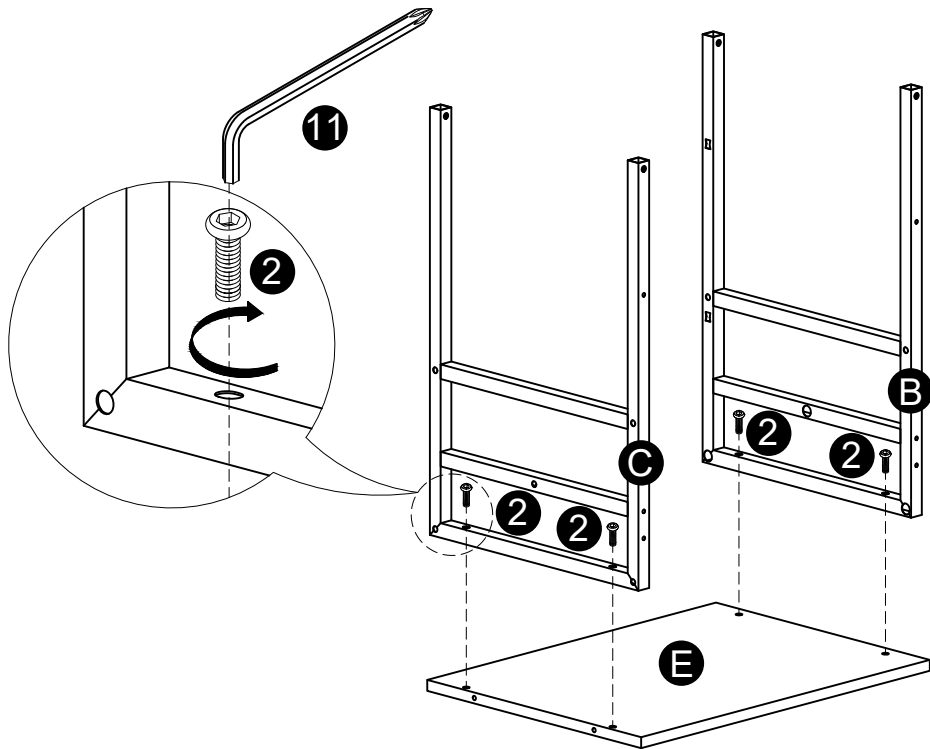
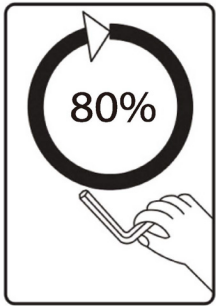
## STEP 2



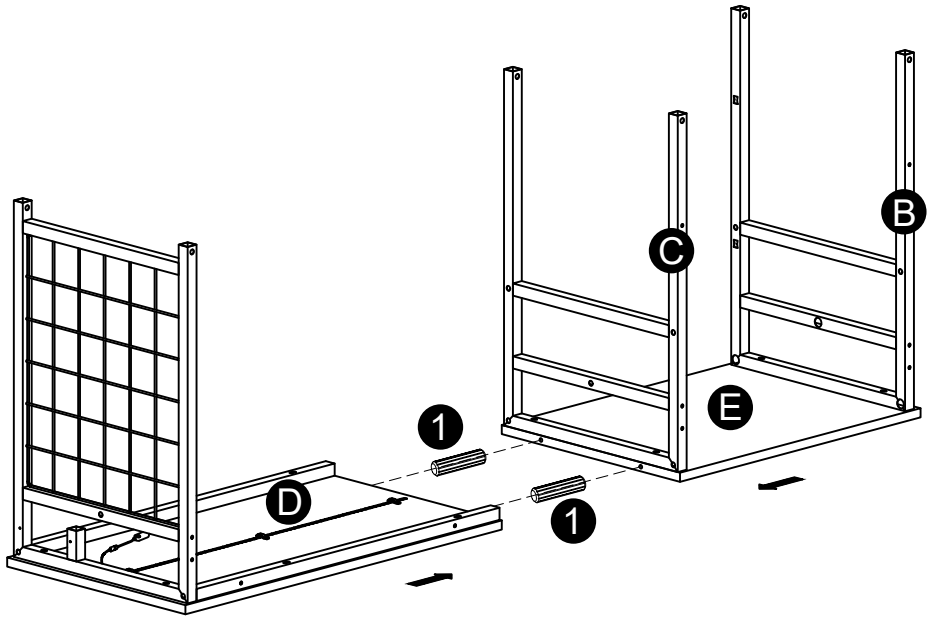
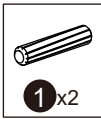
# STEP 3



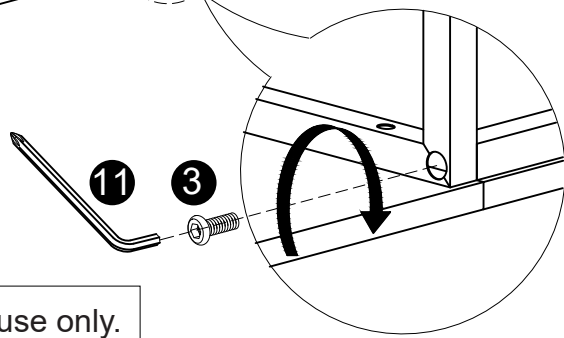
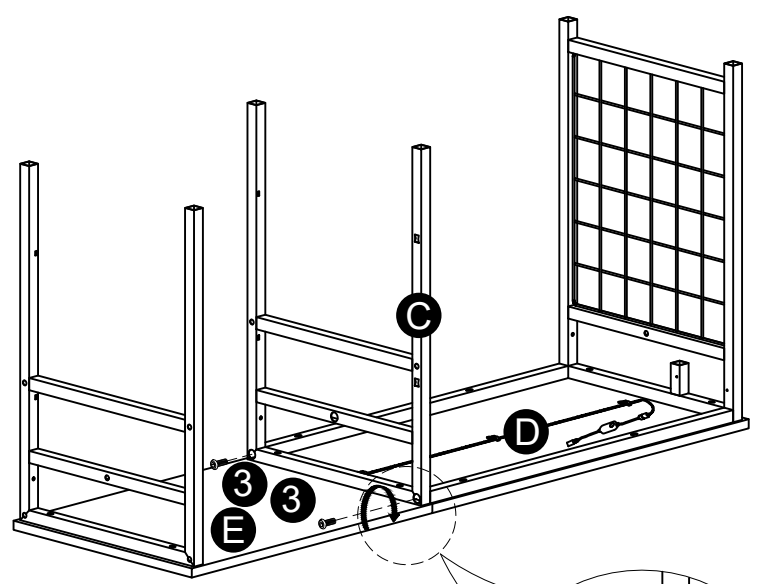
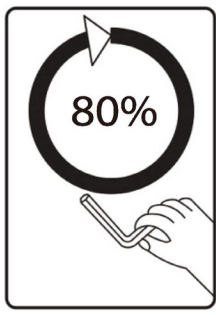
# STEP 4



# STEP 5

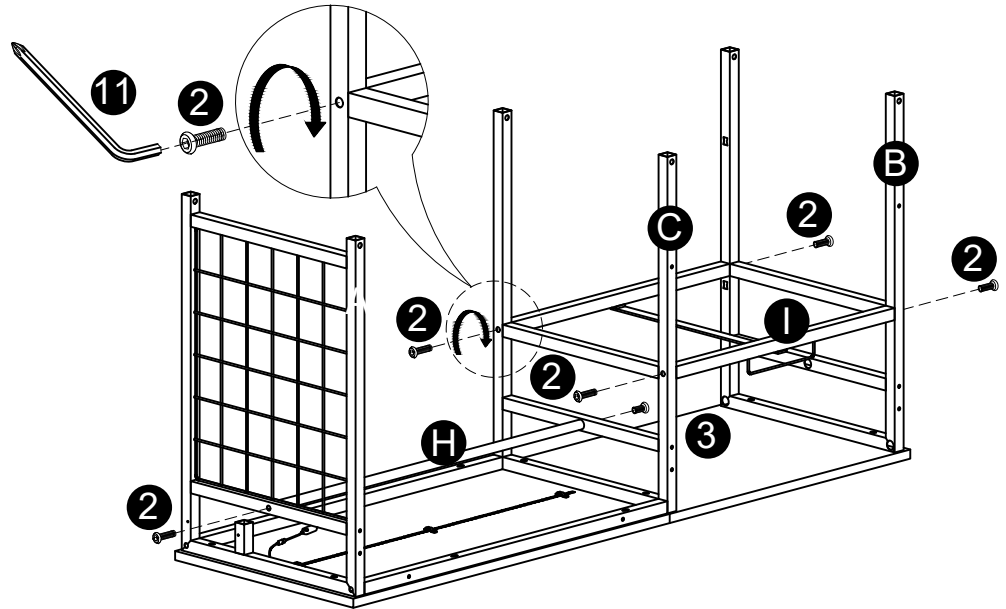
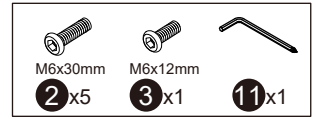
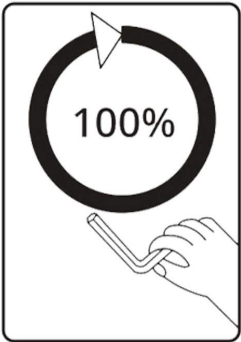


# STEP 6

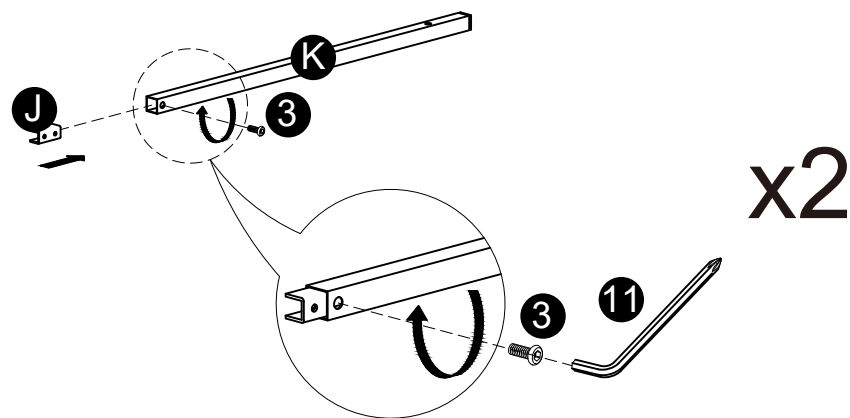
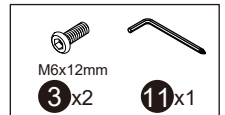
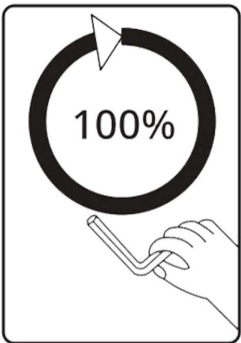


Note: The included wrench is for auxiliary use only. Please use your own wrench for more stable and convenient installation.

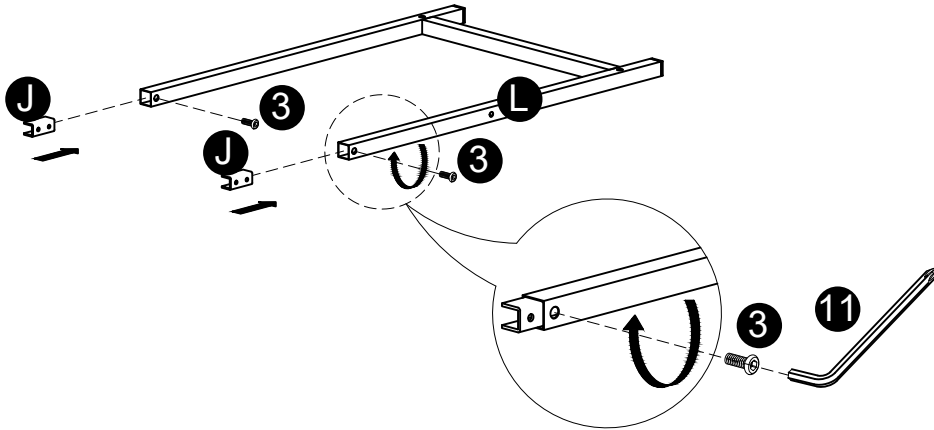
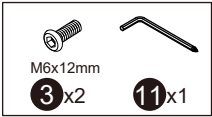
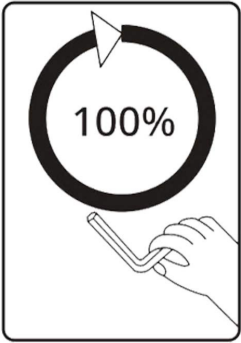
# STEP 7



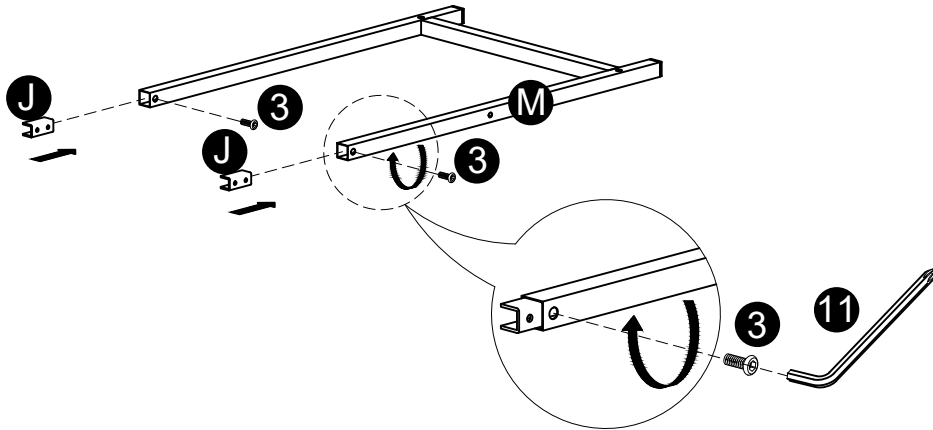
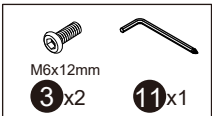
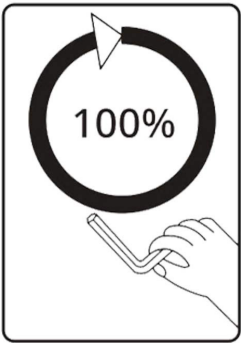
# STEP 8



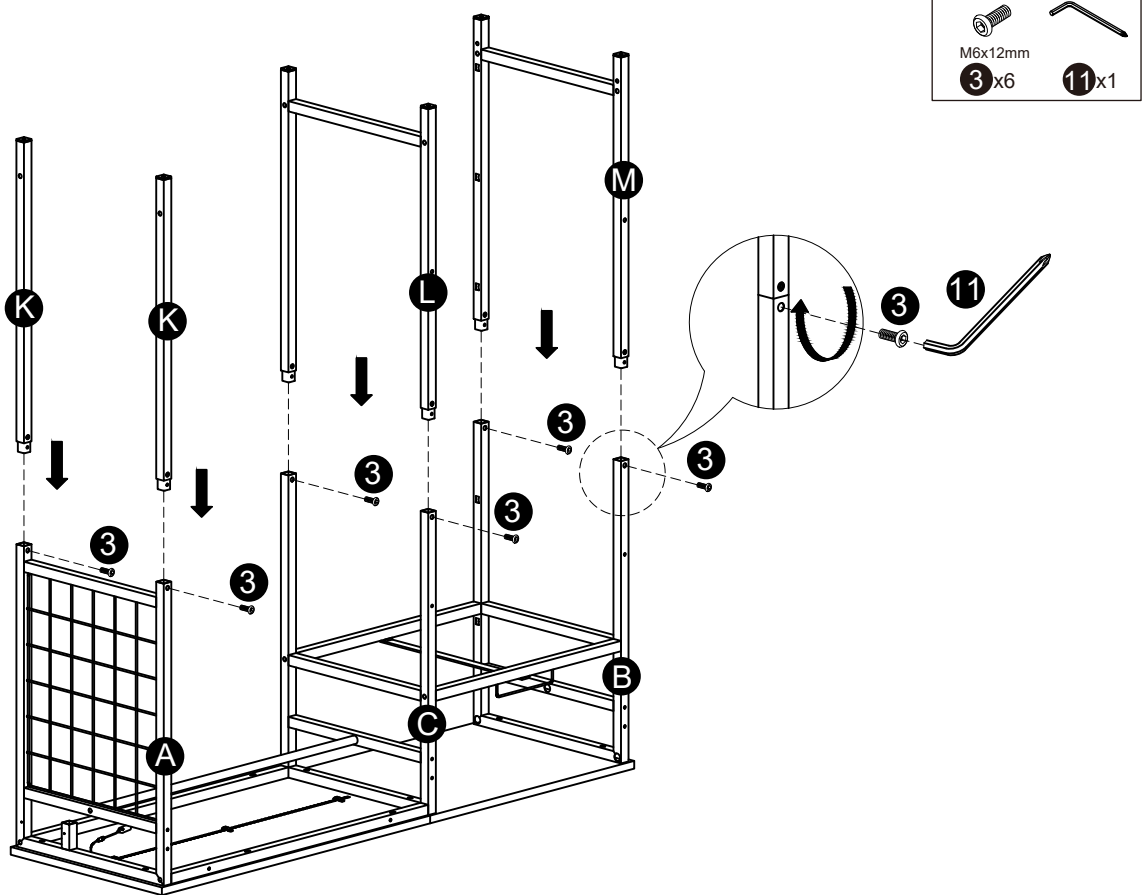
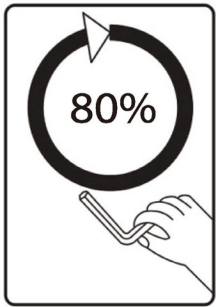
# STEP 9



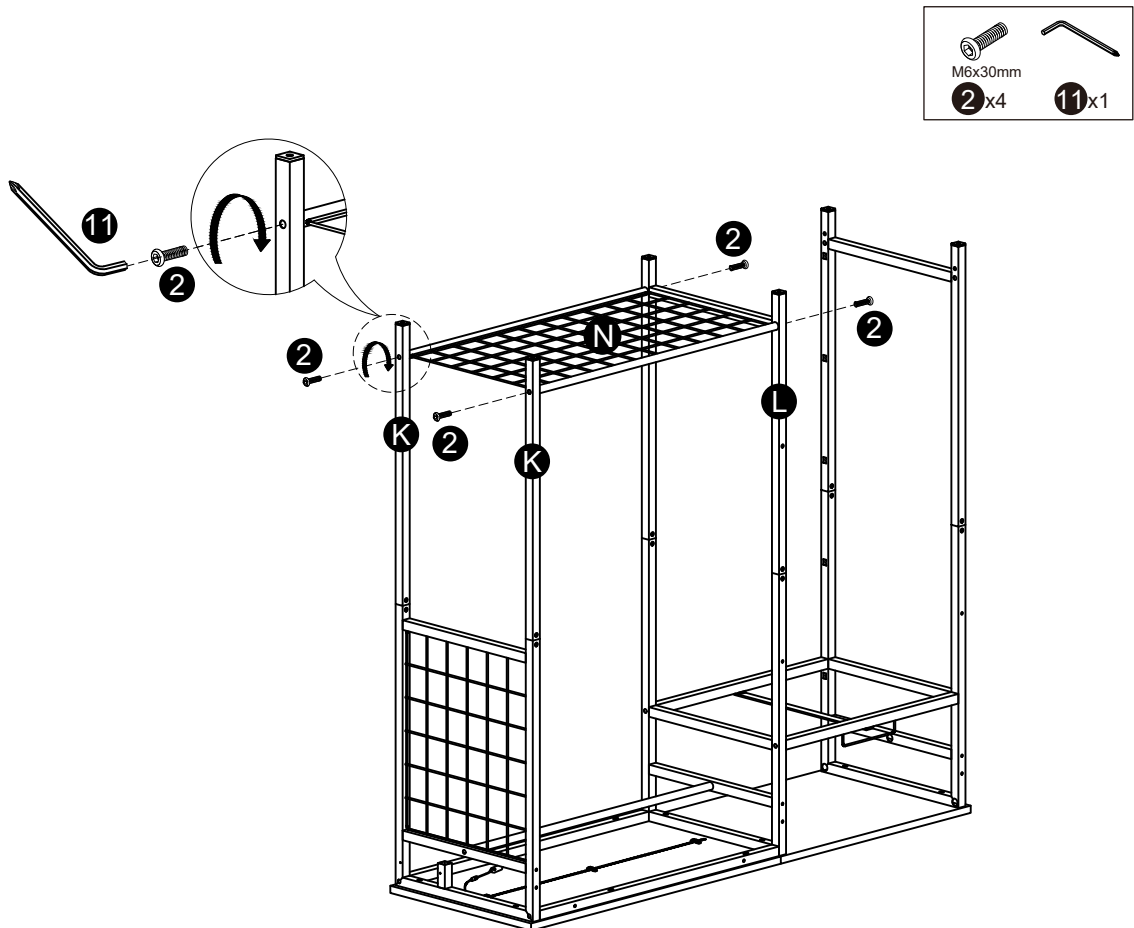
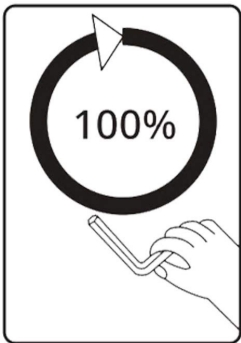
# STEP 10



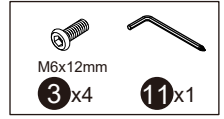
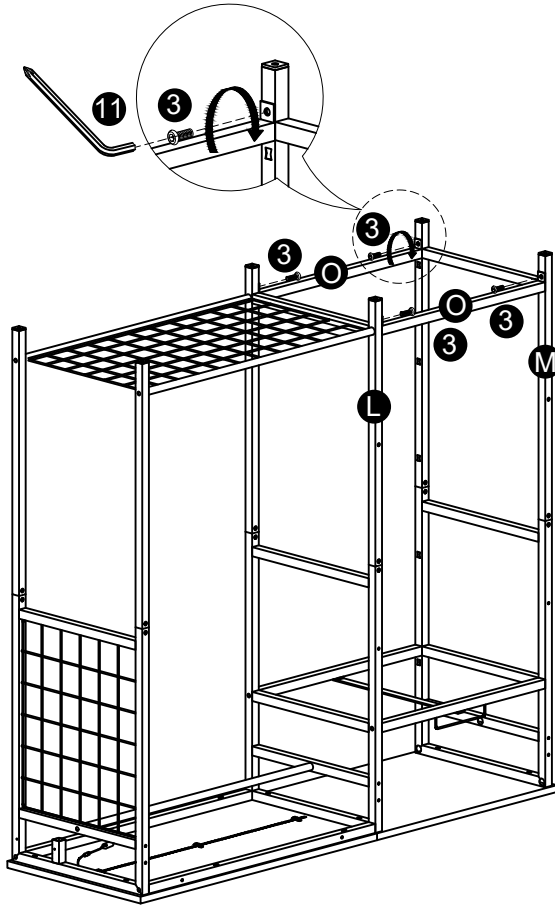
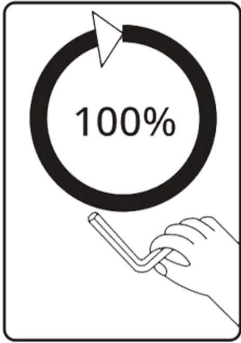
# STEP 11



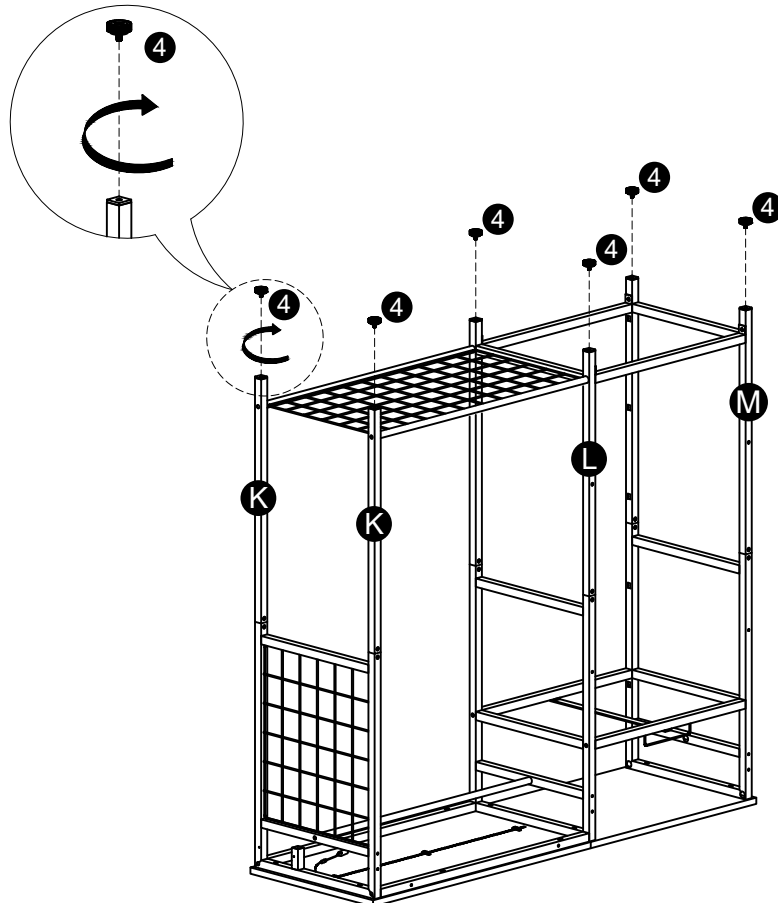
# STEP 12



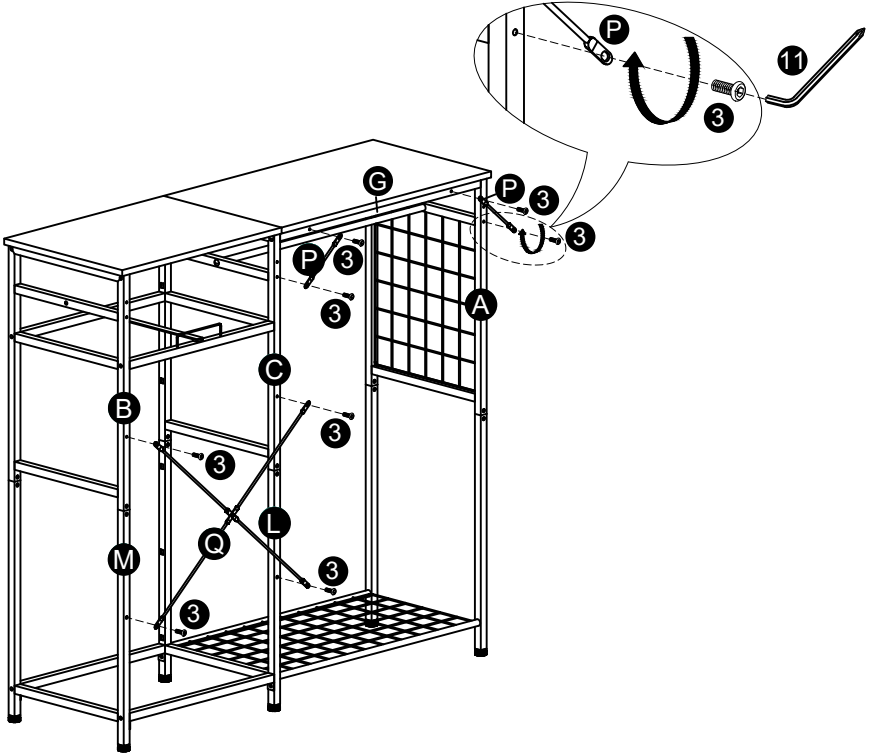
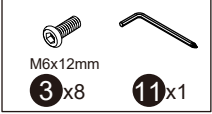
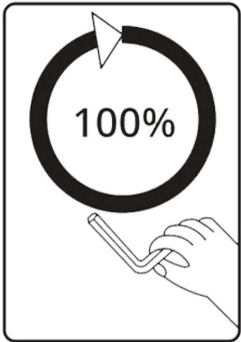
# STEP 13



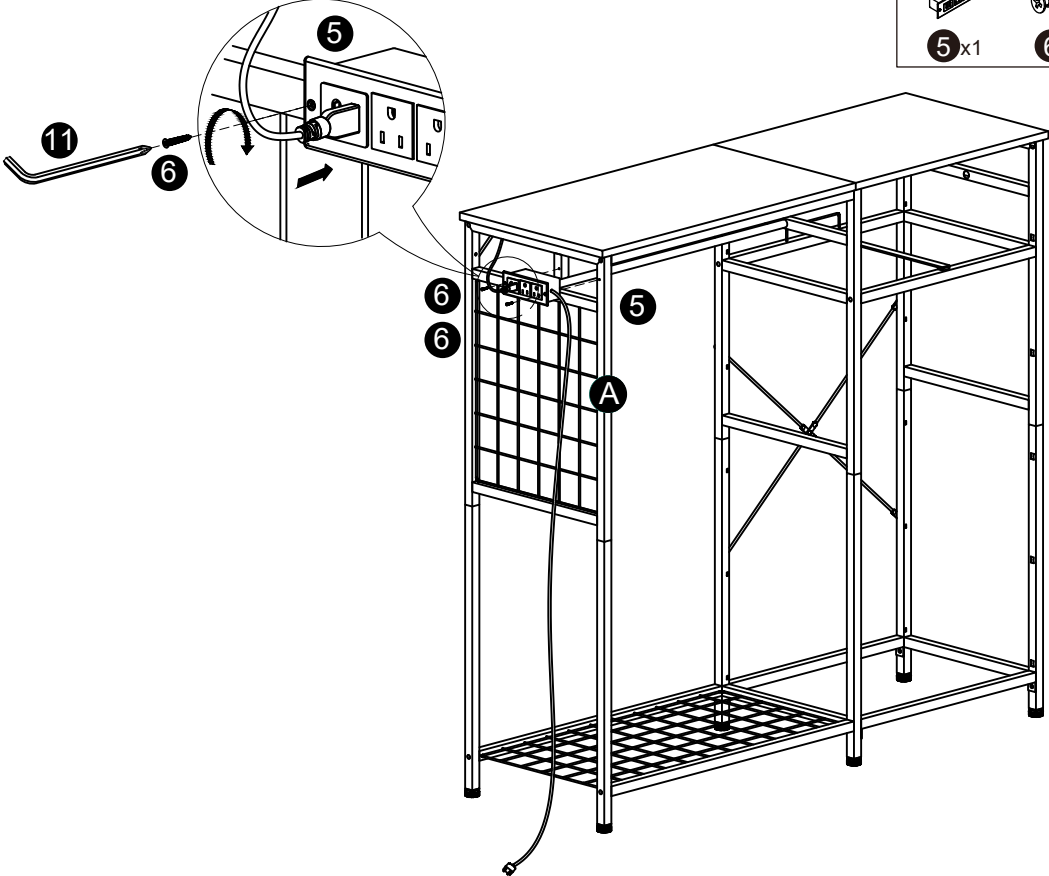
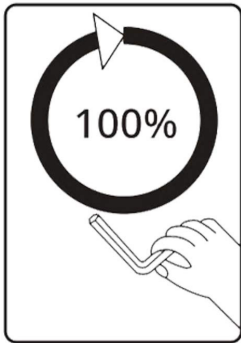
# STEP 14



# STEP 15



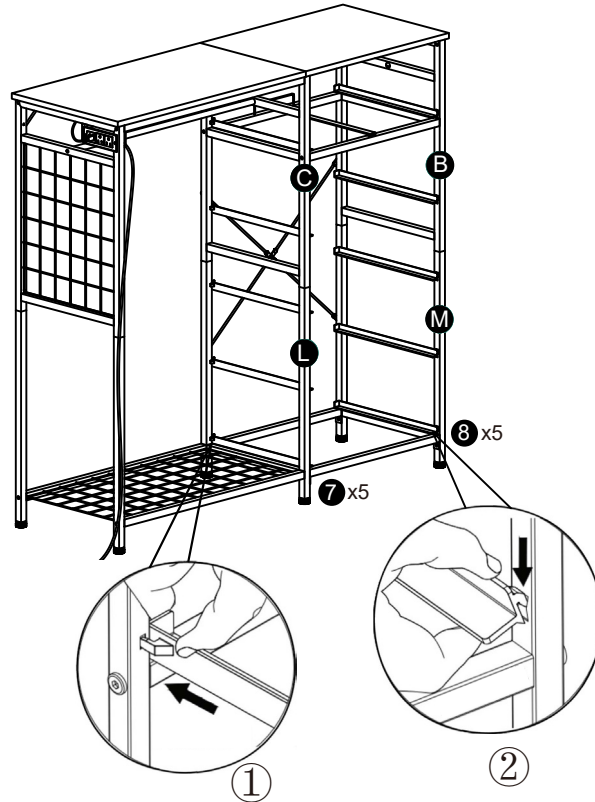
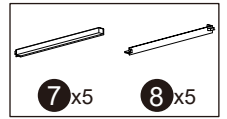
# STEP 16



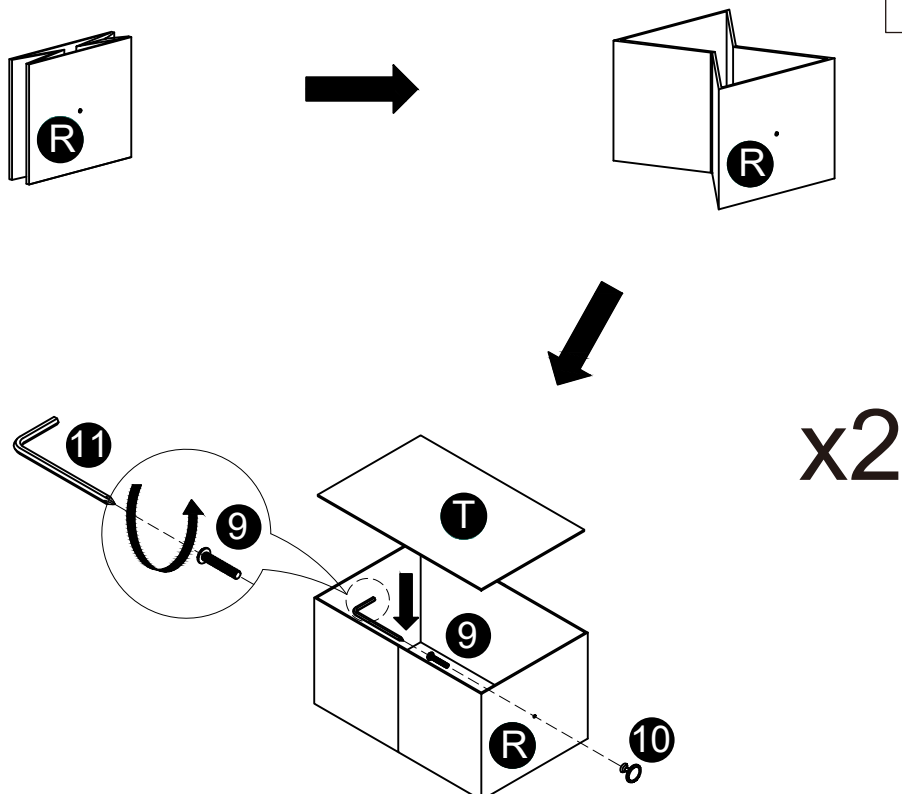
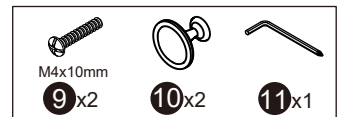
# STEP 17



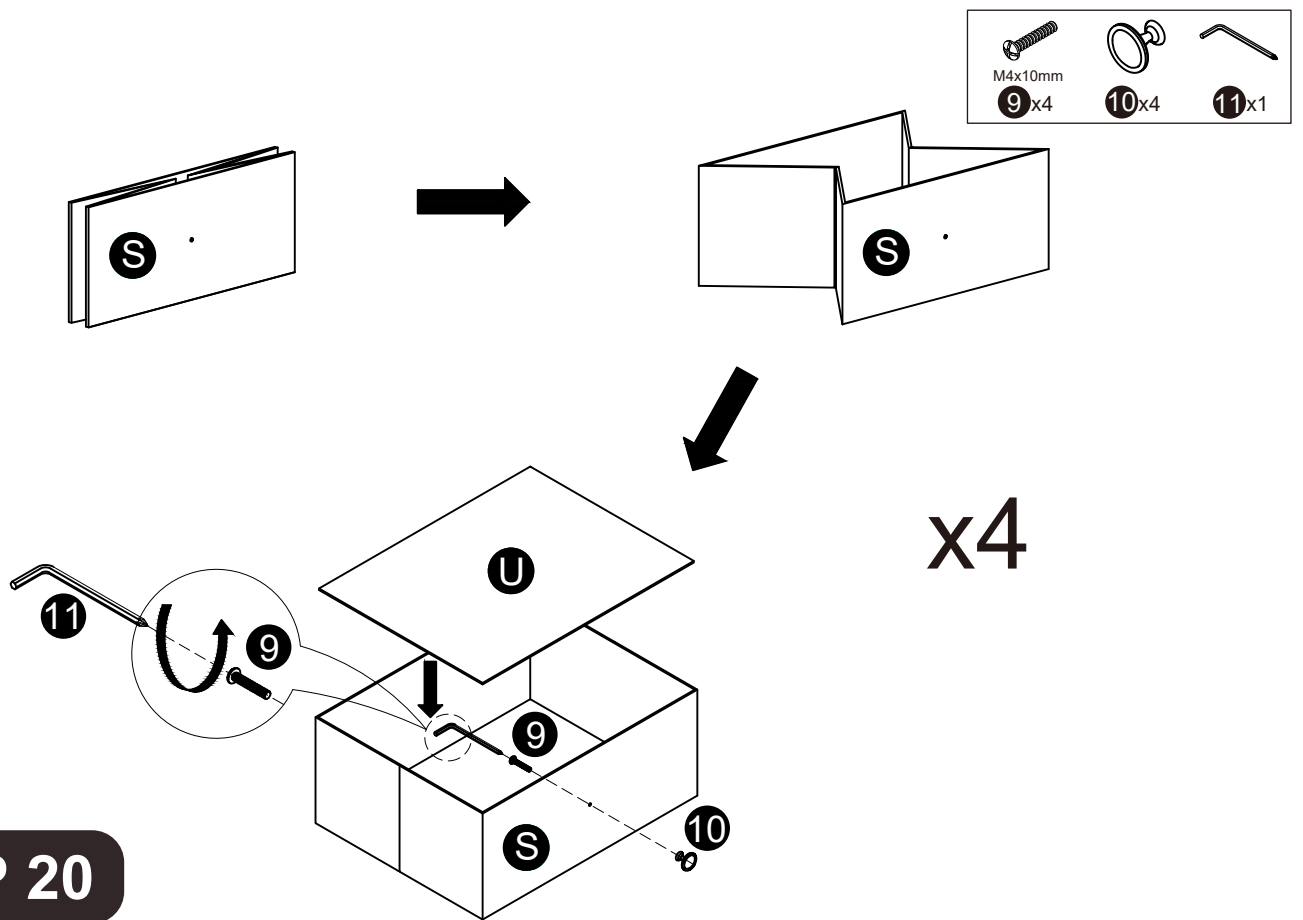
EN: Tighten all screws!  
ES: ¡Apriete todos los tornillos!  
FR: Serrez toutes les vis!



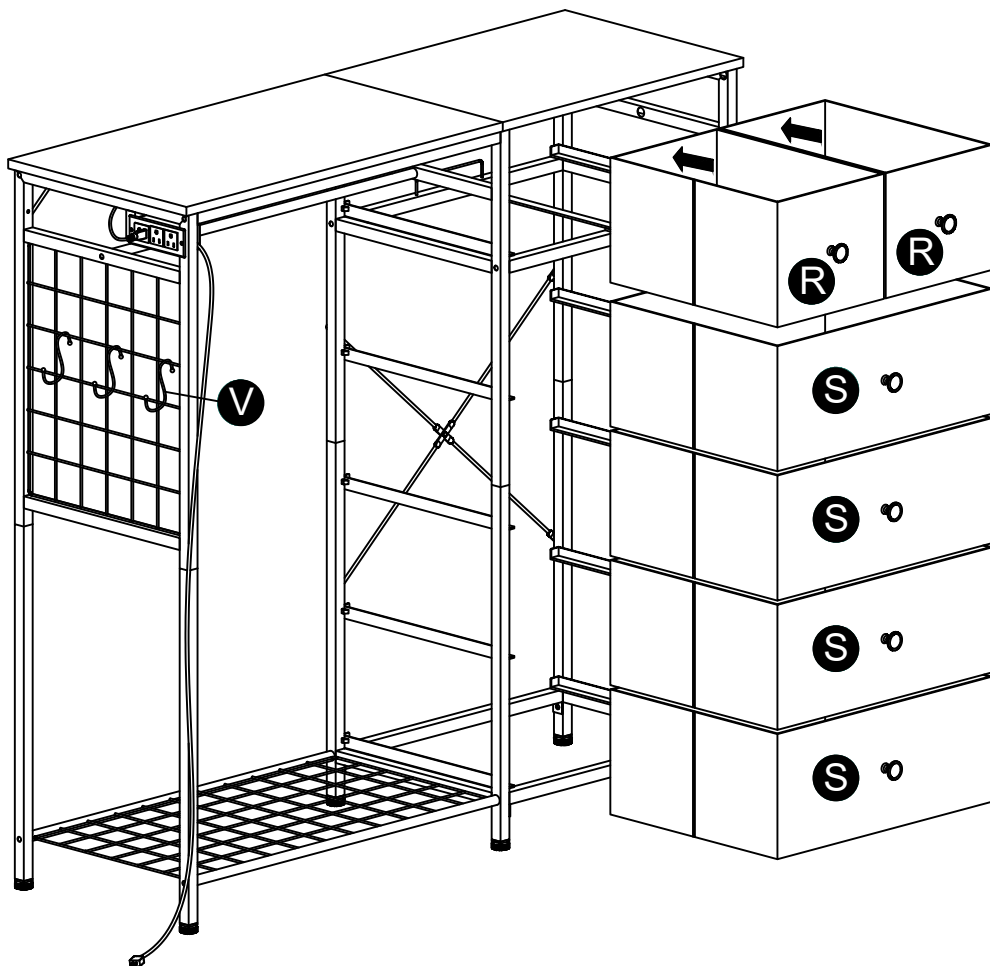
# STEP 18



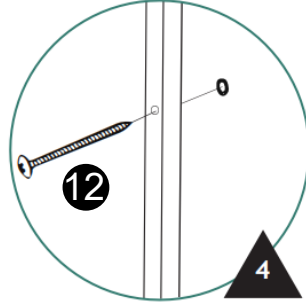
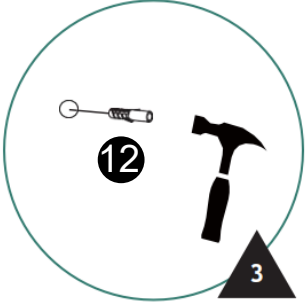
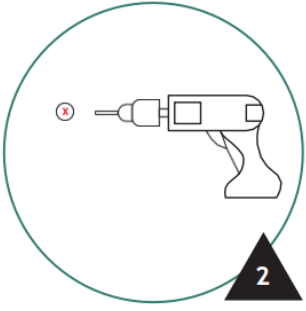
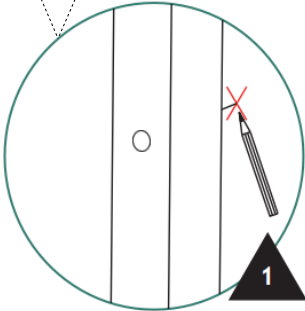
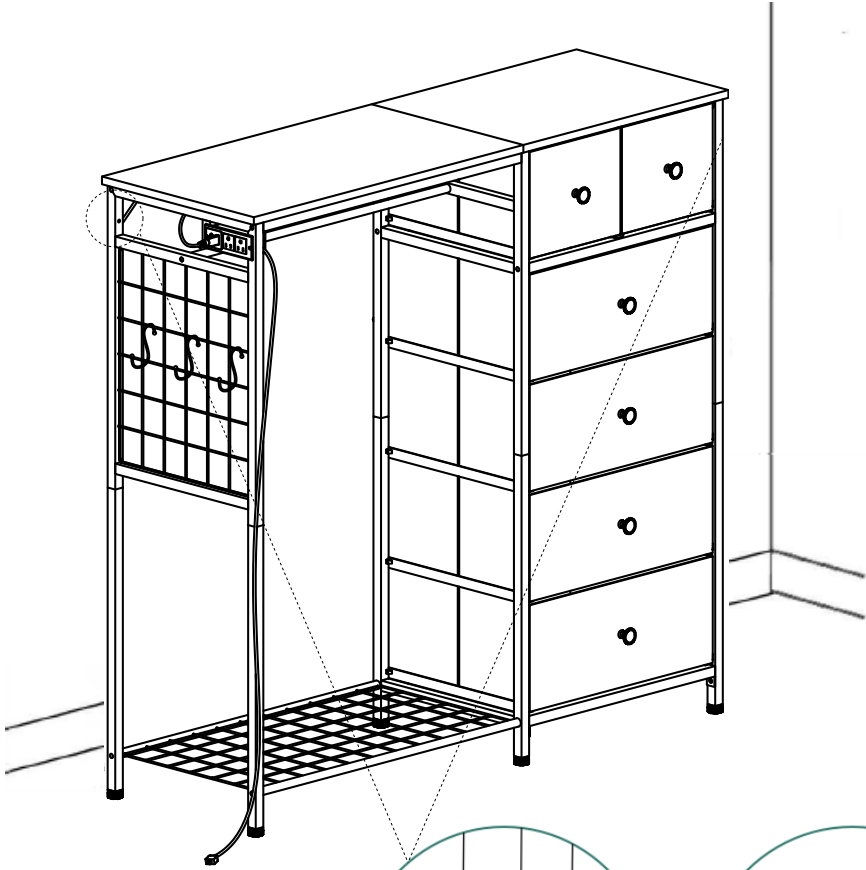
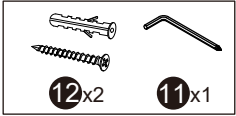
# STEP 19



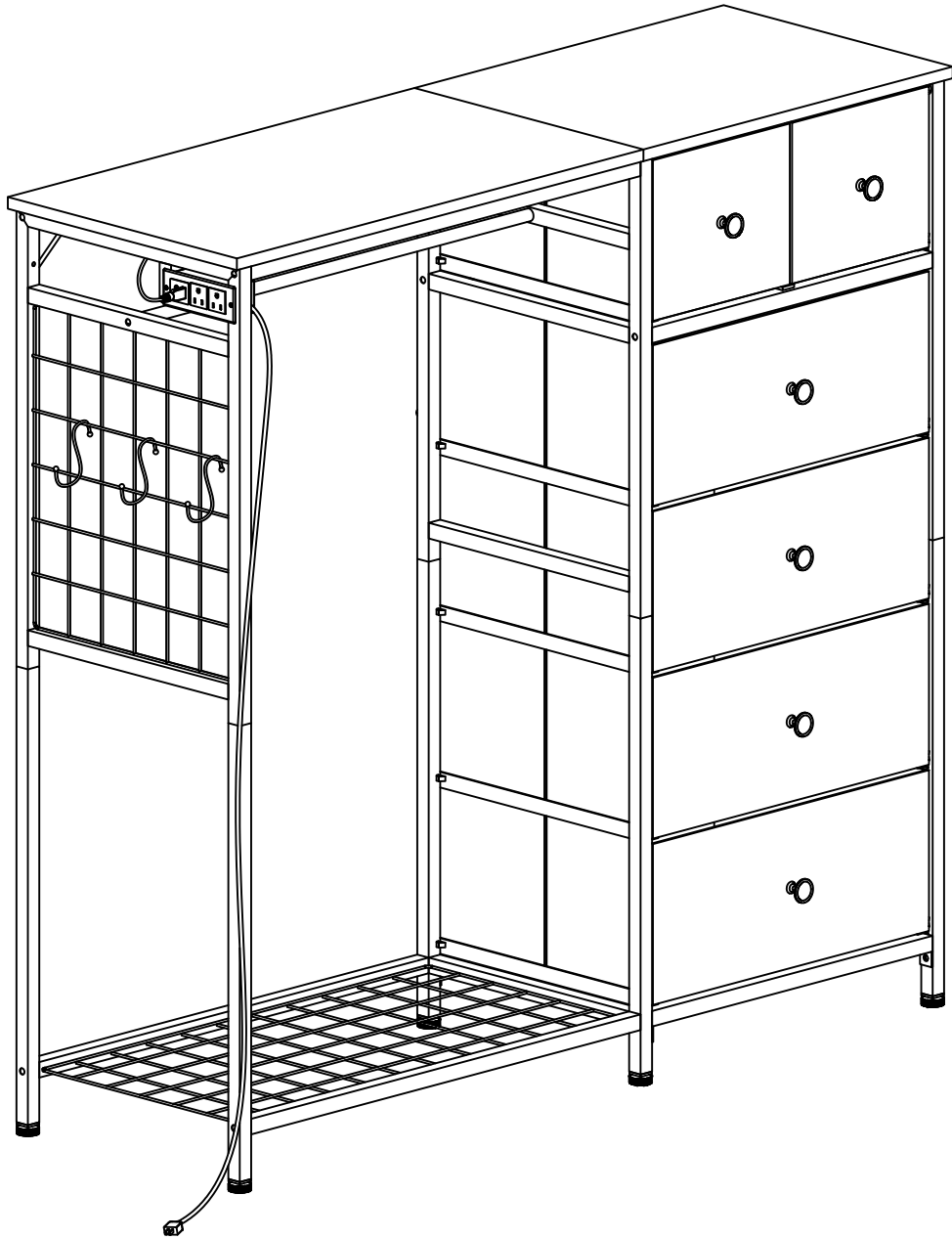
# STEP 20



# STEP 21



EN: Note: Tools are not provided.  
ES: Nota: No se incluyen herramientas.  
FR: Remarque : Les outils ne sont pas fournis.



Thank you for choosing this product. We strive to provide you with the best quality products and service in the industry. Should you have any issues, please don't hesitate to contact us.