

NOTICE

- * Please make sure that you have all parts indicated and they are in good condition before you begin assembly of this item. Refer to part list and hardware list below for guidance.
- * This item should be assembled on a soft surface to prevent scratching the finish during assembly.
- * This item may require periodic tightening.
- * If you are having difficulty, our friendly Customer Care team is always here to help.

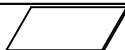


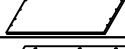

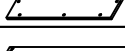

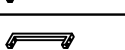

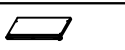


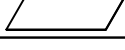
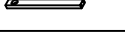

PREPARATION

- * Before beginning assembly of product, make sure all parts are present. Compare parts with part contents list and hardware contents list.
- * If any part is missing or damaged, do not attempt to assemble the product.
- * Estimated Assembly Time: 60 minutes.
- * Needed for Assembly: 2 People.
- * Tools Required for Assembly : Allen Key (included), Phillips screwdriver (not included)

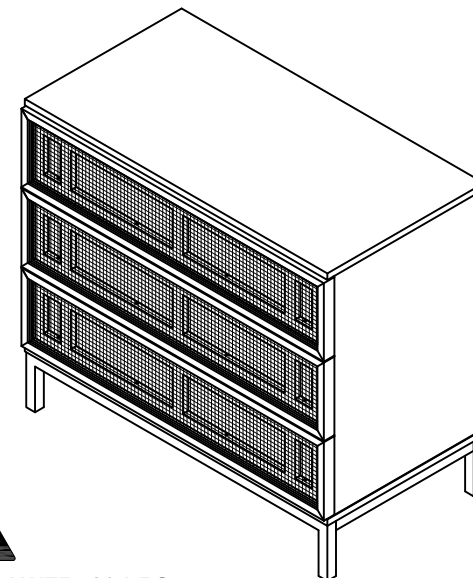
CARE AND MAINTENANCE

Adhesive felt pads should always be applied to areas of furniture which make direct contact with flooring, said application will prevent damage to the furniture and or surfaces on which the furniture lies. Objects placed on articles of furniture should rest on non abrasive material as to prevent damage to the wood finish. Wipe up spills immediately and avoid common hazards such as hot dishes, harsh solvents and abrasives. Cleaning should be done with a soft lint free cotton cloth dampened with water or furniture polish.

Part List and Hardware List

PIECE	DESCRIPTION	PICTURE	QUANTITY
A	TOP PANEL		1X
B	LEFT PANEL		1X
C	RIGHT PANEL		1X
D	BOTTOM PANEL		1X
E	UPPER BACK PANEL		1X
F	LOWER BACK PANEL		1X
G	RAIL		1X
H	LEG FRAME		2X
I	SIDE FRAME		2X
J	DRAWER FRONT		3X
K	DRAWER LEFT		3X
L	DRAWER RIGHT		3X
M	DRAWER BACK		3X
N	DRAWER BASE		3X
O	DRAWER SUPPORT		3X


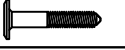
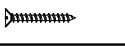
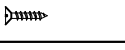

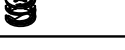

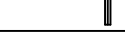
Product Dimensions: 34"W x 18"D x 30"H



WARNING

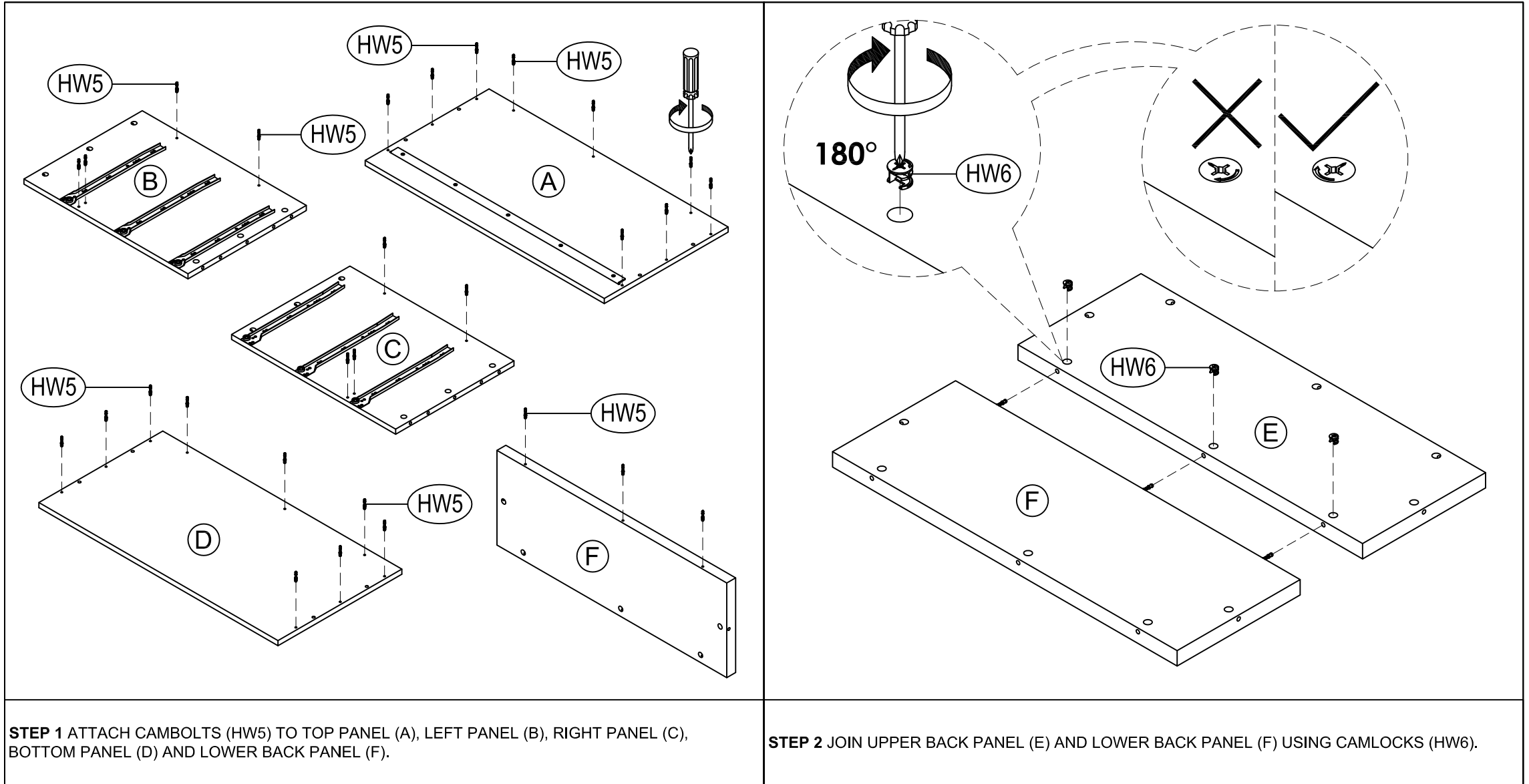


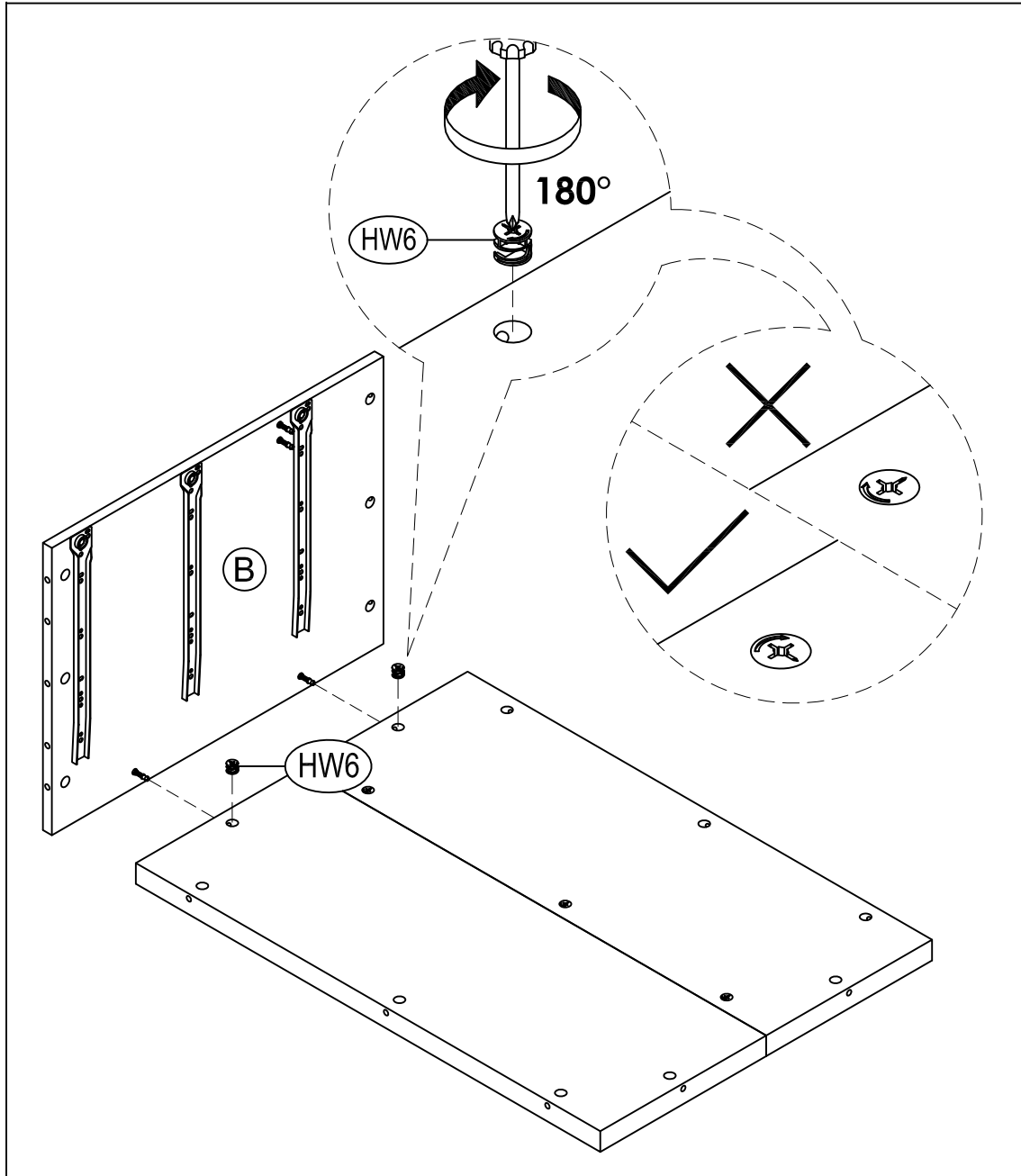
WEIGHT CAPACITY: TOP: 50 LBS, DRAWER: 30 LBS
WARNING: DO NOT STAND ON THE CHEST
WARNING: DO NOT OVER TORQUE BOLTS/SCREWS

PIECE	DESCRIPTION	PICTURE	QUANTITY
HW1	BOLT 6 x 1 x 45 MM		8X
HW2	BOLT 6 x 1 x 35 MM		6X
HW3	FLAT HEAD SCREW 3 x 1 x 32 MM		33X
HW4	FLAT HEAD SCREW 3 x 1 x 19 MM		12X
HW5	CAMBOLT		29X
HW6	CAMLOCK		29X
HW7	DOWEL		8X
HW8	ALLEN KEY		1X

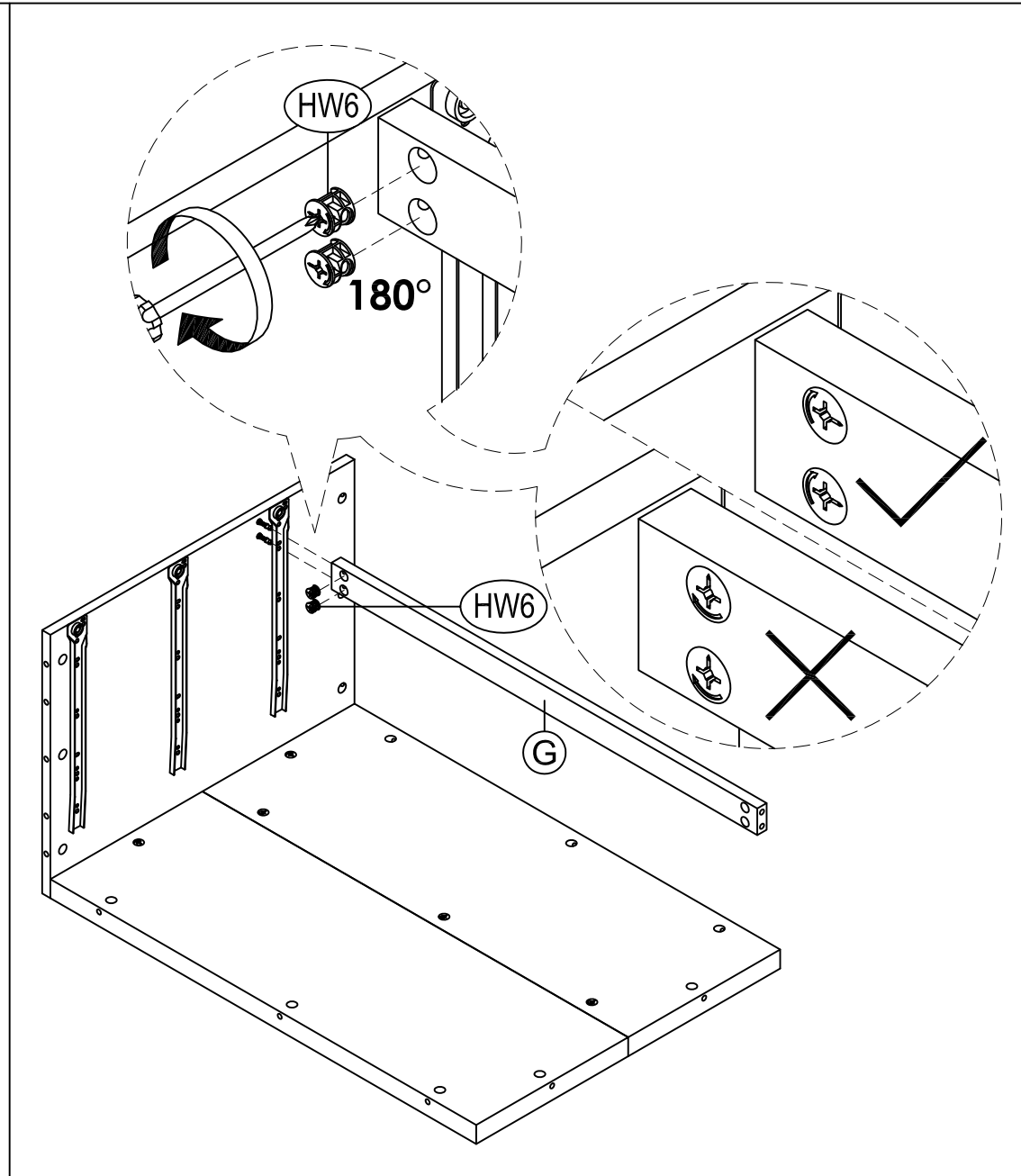
PREPARATION

- * Before beginning assembly of product, make sure all parts are present. Compare parts with package contents list and hardware contents list.
- * If any part is missing or damaged, do not attempt to assemble the product.
- * Estimated Assembly Time: 60 minutes.
- * Needed for Assembly: 2 People.
- * Tools Required for Assembly : Allen Key (included), Phillips screwdriver (not included)
- * If you are having difficulty, our friendly Customer Care team is always here to help.

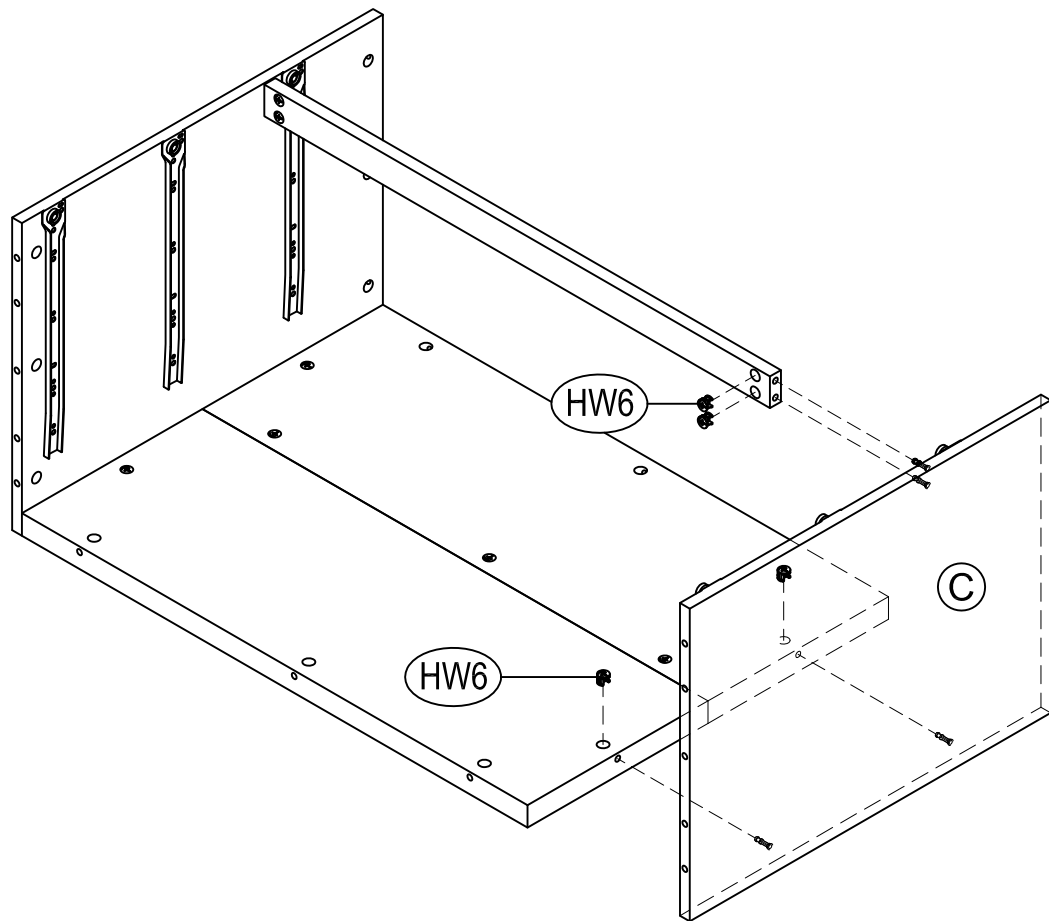




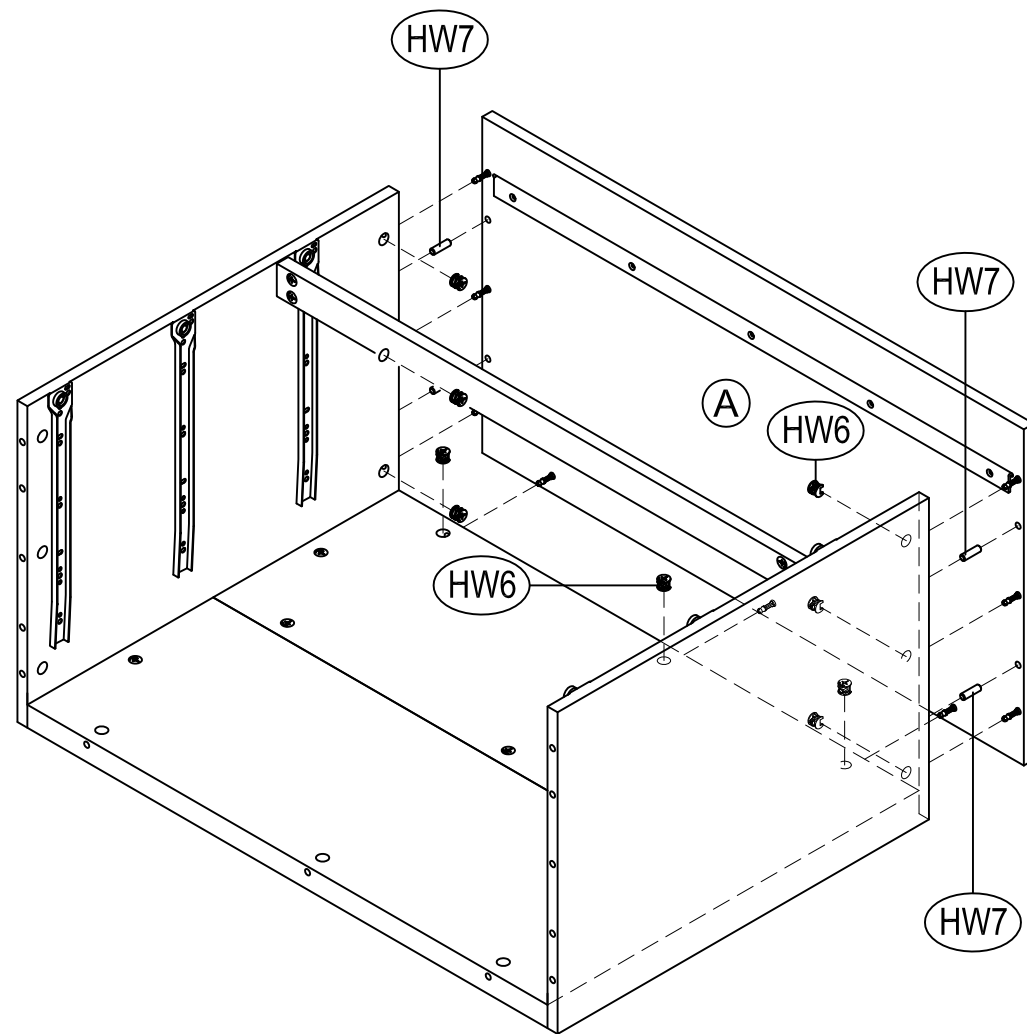
STEP 3 ATTACH BACK PANEL ASSEMBLY TO LEFT PANEL (B) USING CAMLOCKS (HW6).



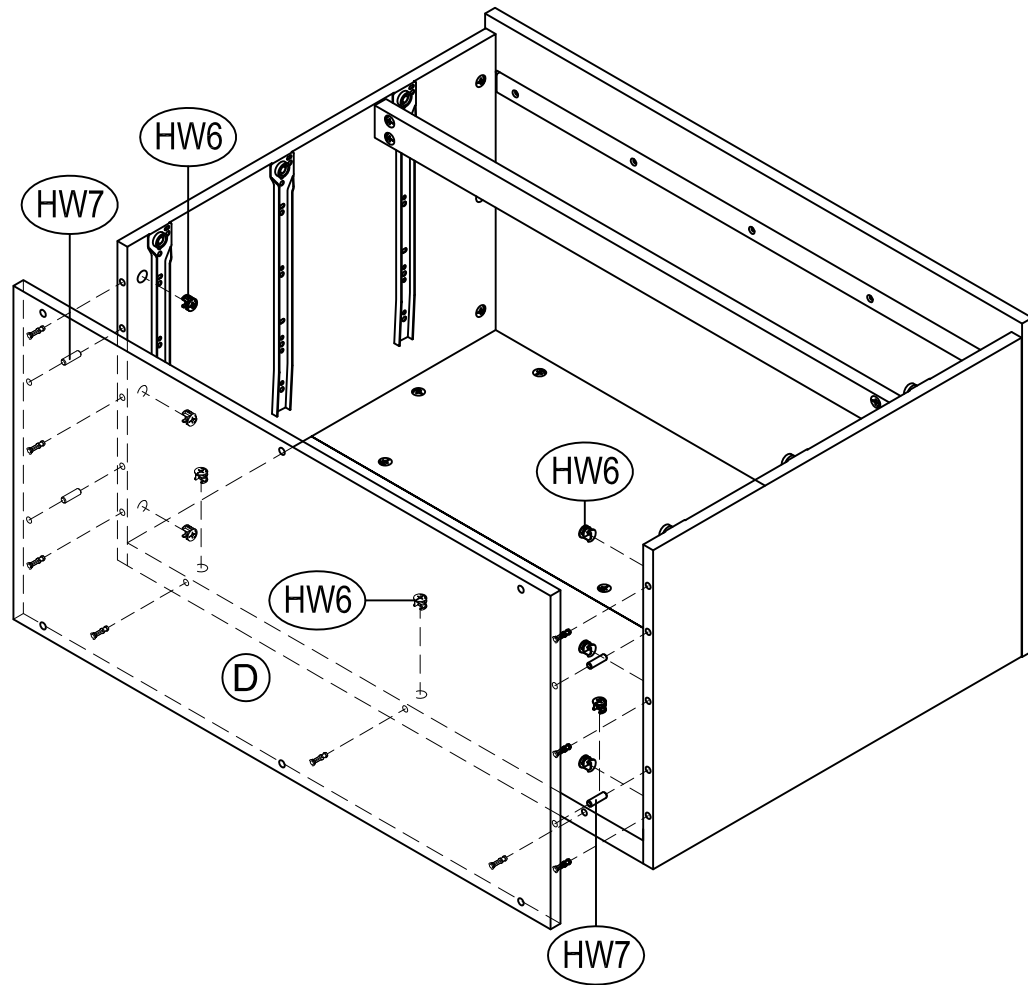
STEP 4 ATTACH RAIL (G) TO UNIT USING CAMLOCKS (HW6).



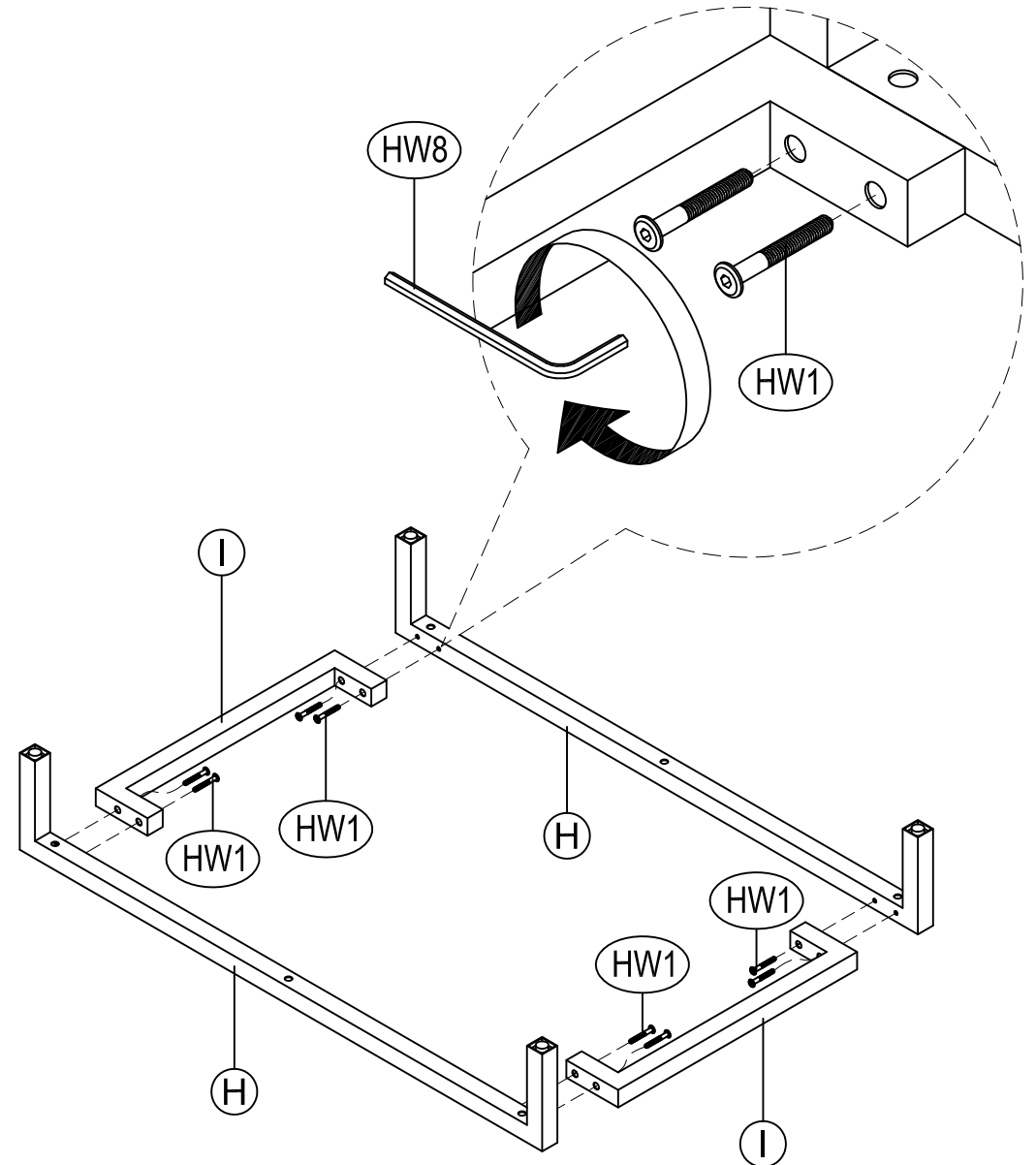
STEP 5 ATTACH RIGHT PANEL (C) TO UNIT USING CAMLOCKS (HW6).



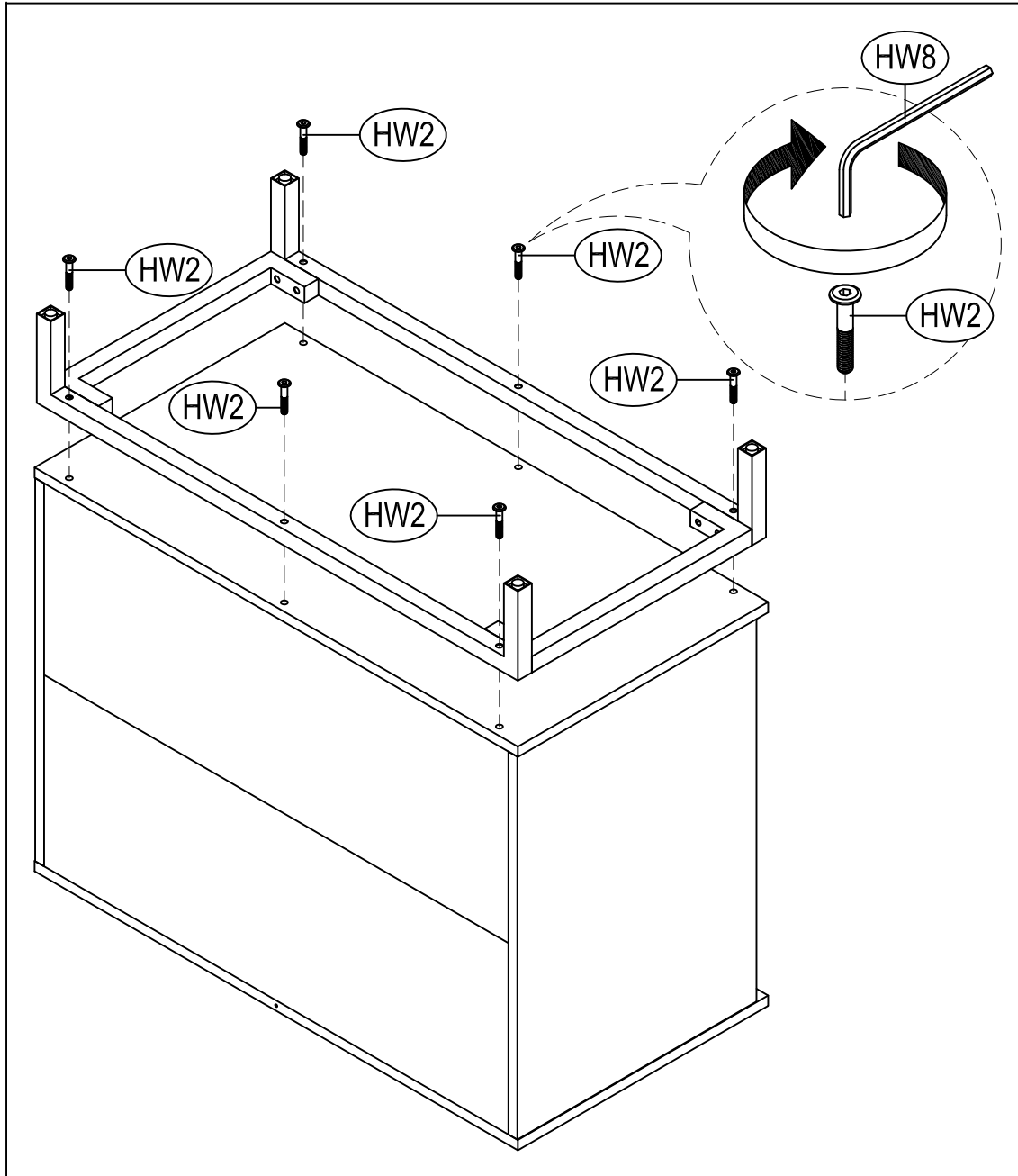
STEP 6 ATTACH TOP PANEL (A) TO UNIT USING CAMLOCKS (HW6) AND DOWELS (HW7).



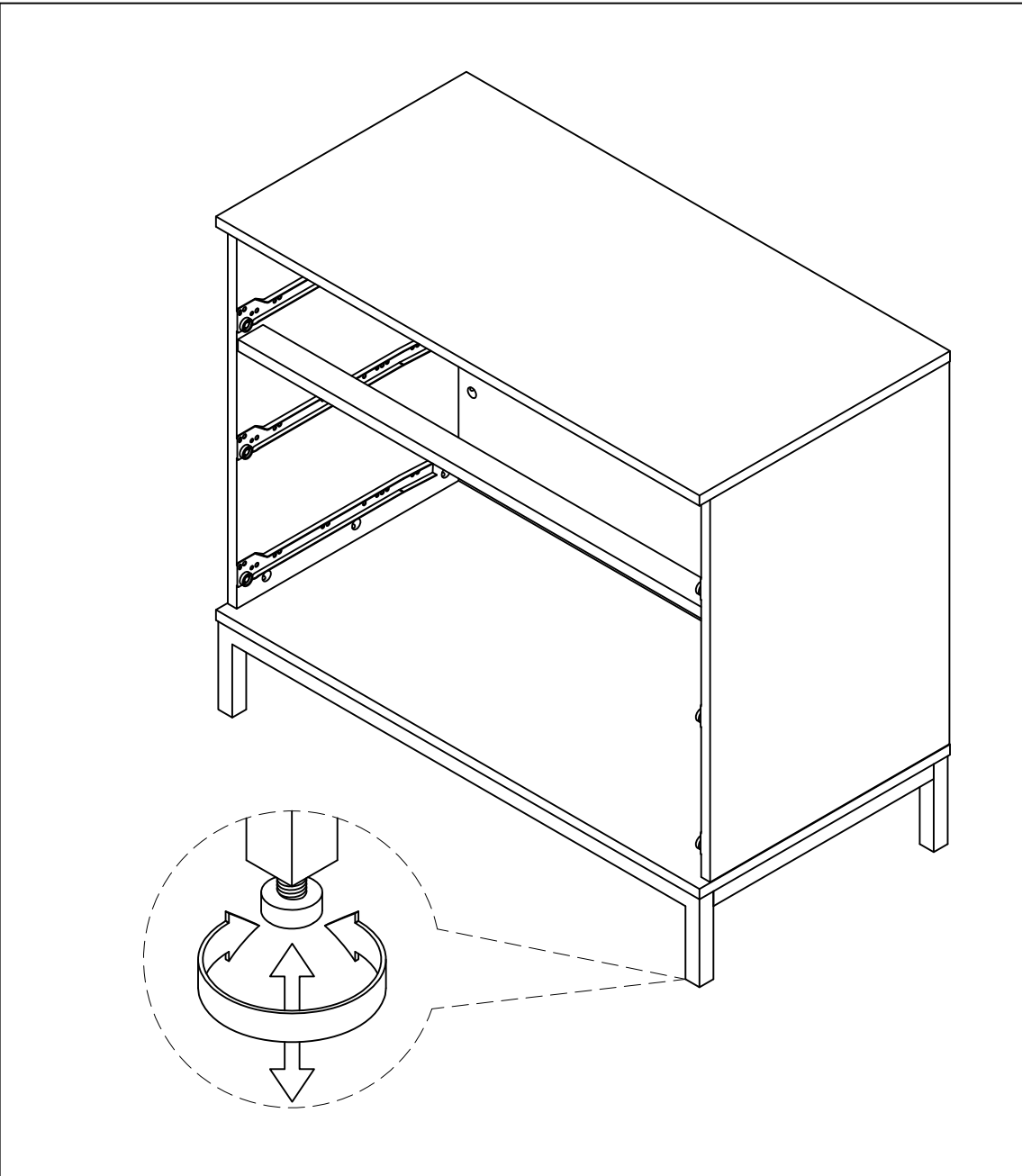
STEP 7 ATTACH BOTTOM PANEL (D) TO UNIT USING CAMLOCKS (HW6) AND DOWELS (HW7).



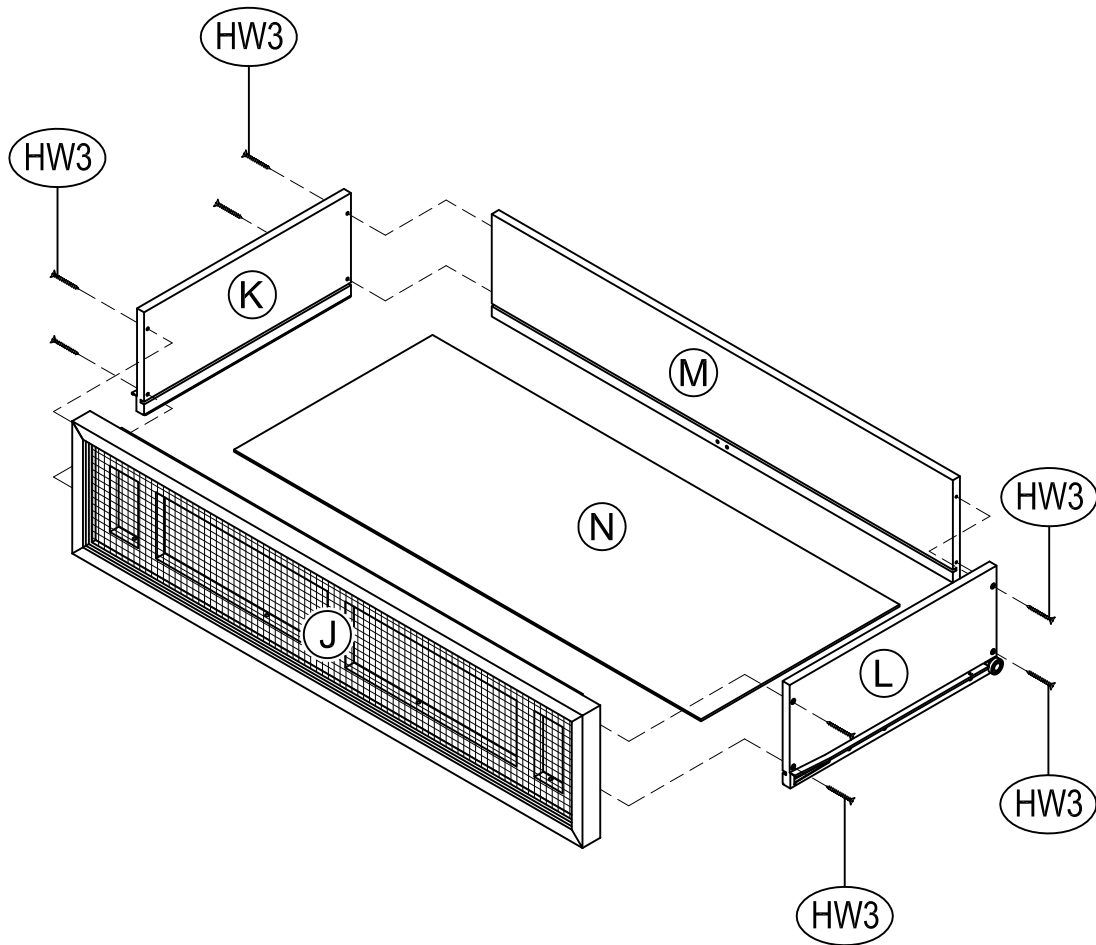
STEP 8 ATTACH SIDE FRAMES (I) TO LEG FRAMES (H) USING 45 MM BOLTS (HW1). TIGHTEN THE BOLTS USING ALLEN KEY (HW8).



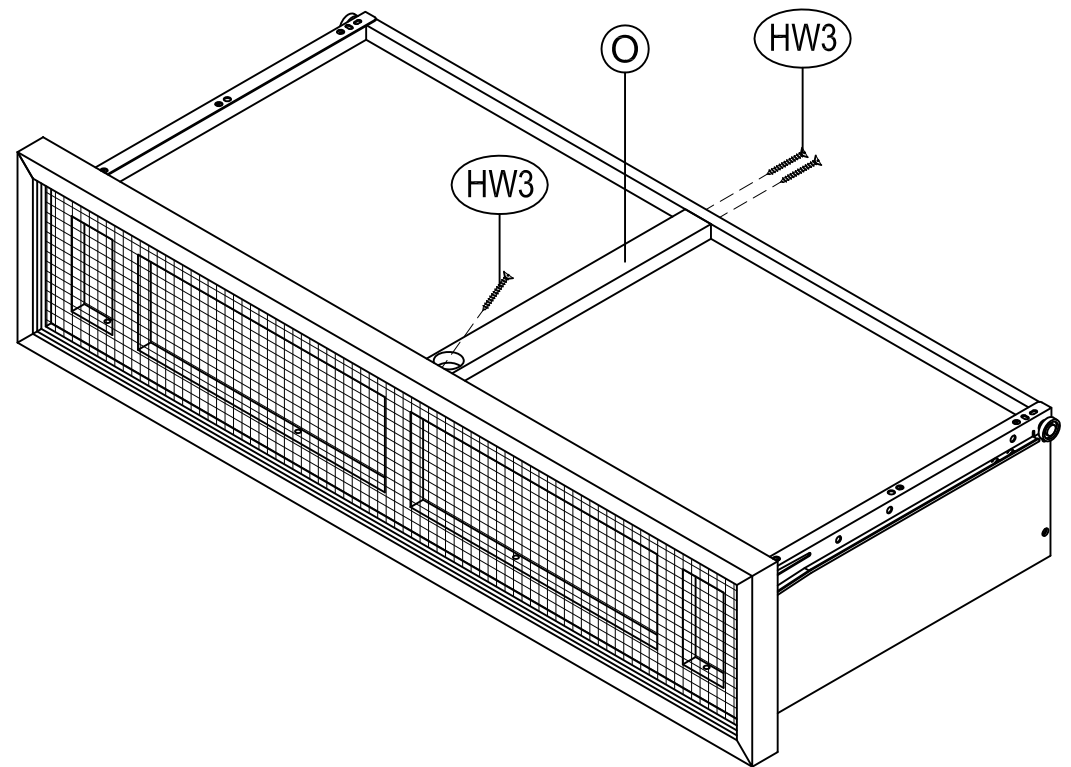
STEP 9 ATTACH UNIT FROM STEP 8 TO UNIT FROM STEP 7 USING 35 MM BOLTS (HW2).
TIGHTEN THE BOLTS USING ALLEN KEY (HW8).



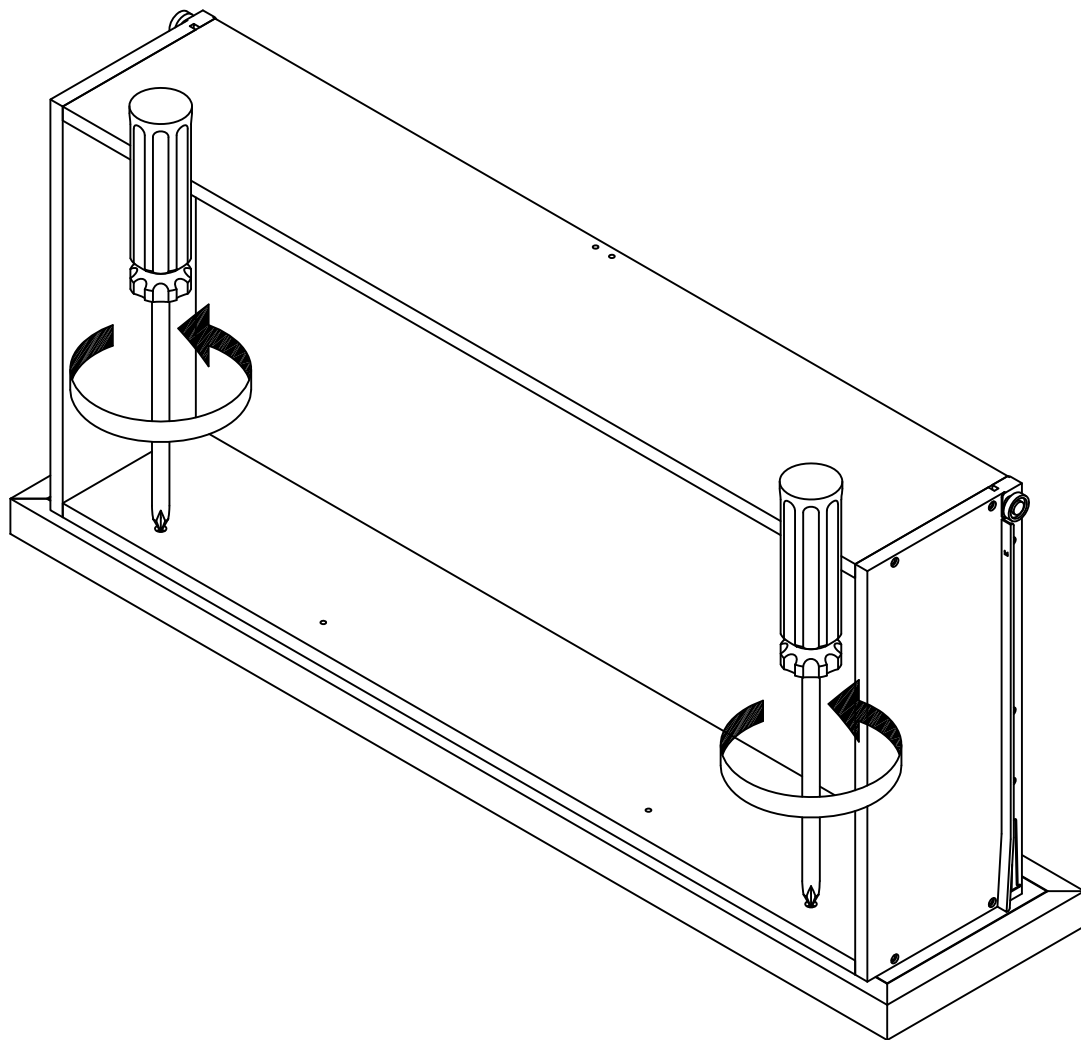
STEP 10 ADJUST THE ADJUSTER THAT HAS ALREADY BEEN ASSEMBLED TO THE LEGS TO
STABILIZE YOUR UNIT.



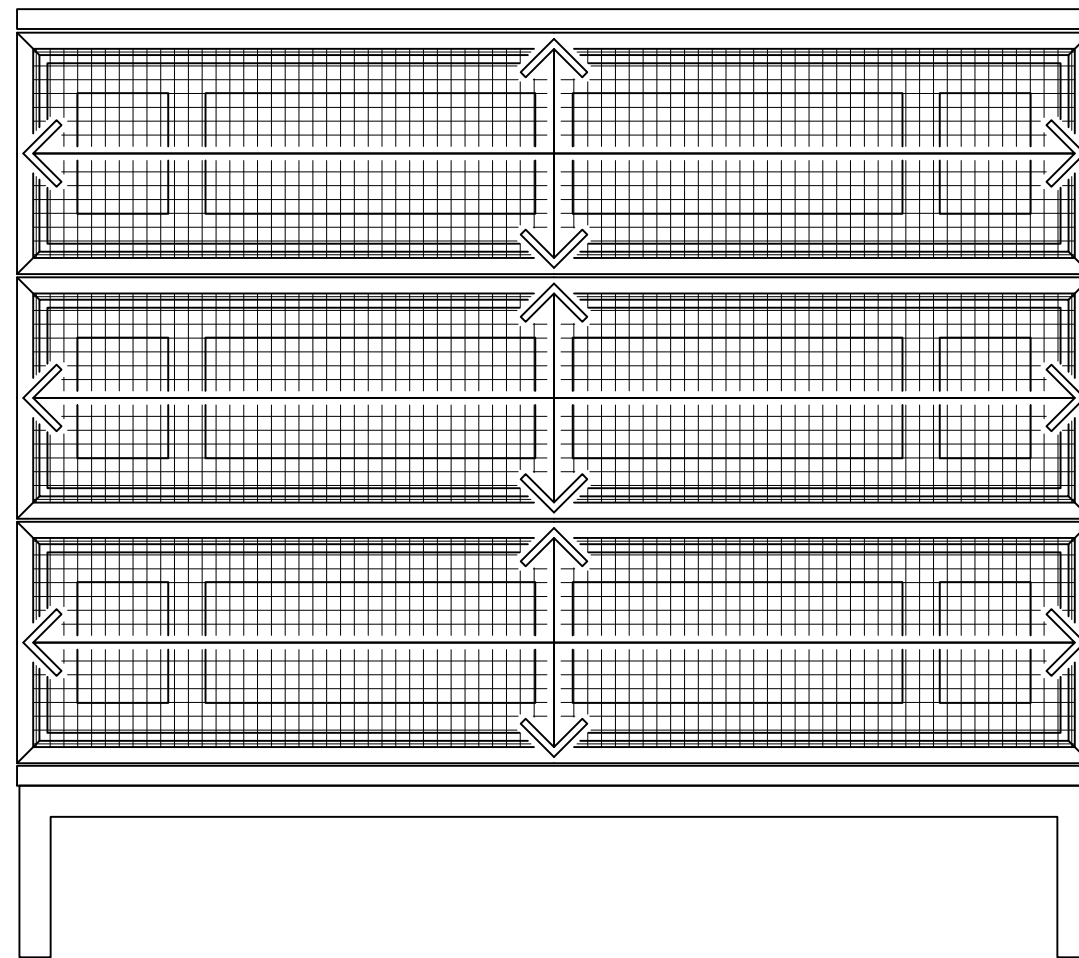
STEP 11 ATTACH DRAWER LEFT (K) AND DRAWER RIGHT (L) TO DRAWER BACK (M) USING 1 1/4" FLAT HEAD SCREWS (HW3). SLIDE DRAWER BASE (N) INTO THE GROOVE. ATTACH DRAWER FRONT (J) TO DRAWER LEFT (K) AND DRAWER RIGHT (L) USING 1 1/4" FLAT HEAD SCREWS (HW3).



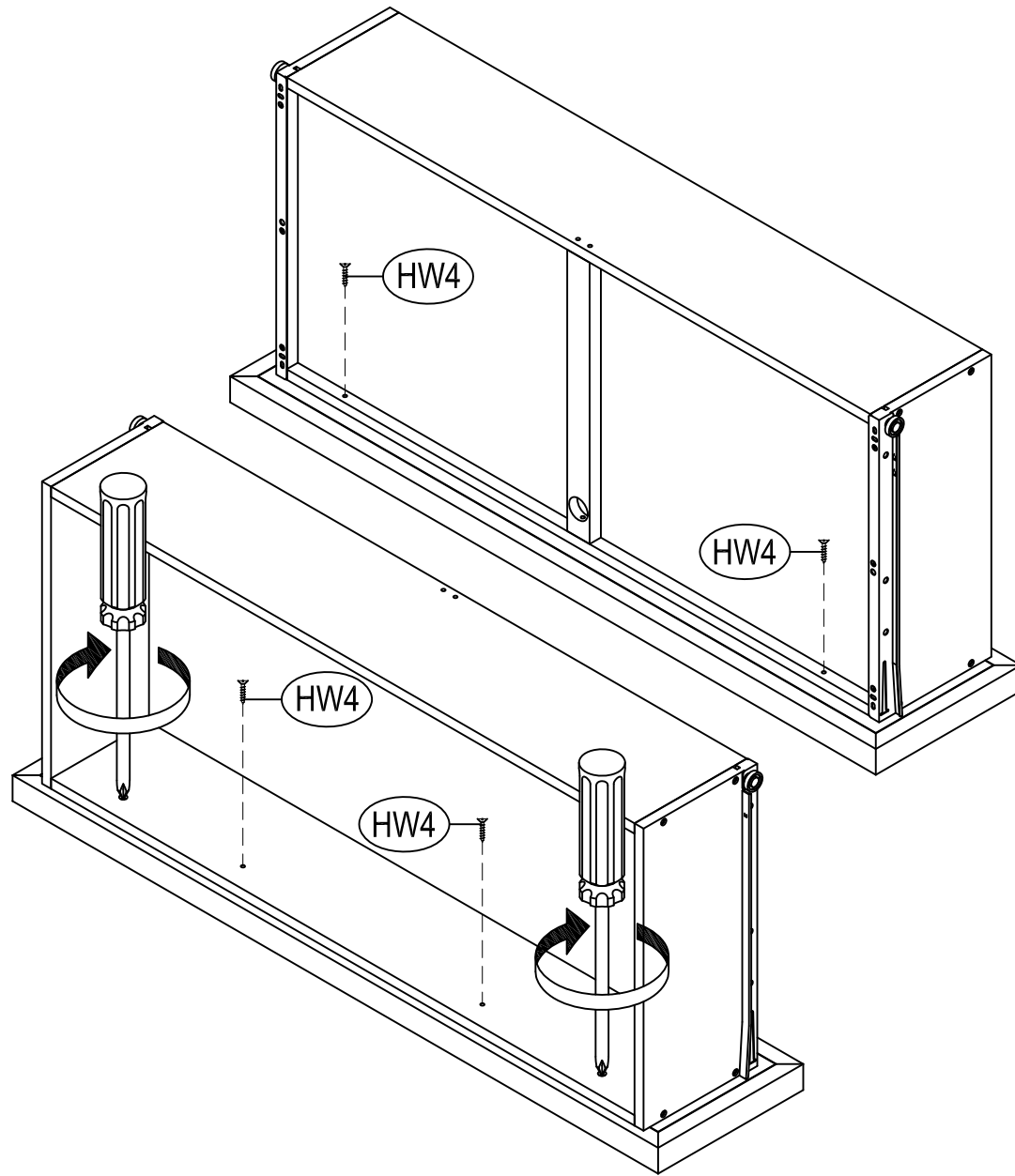
STEP 12 ATTACH DRAWER SUPPORT (O) TO THE BOTTOM SIDE OF DRAWERS USING 1 1/4" FLAT HEAD SCREWS (HW3).



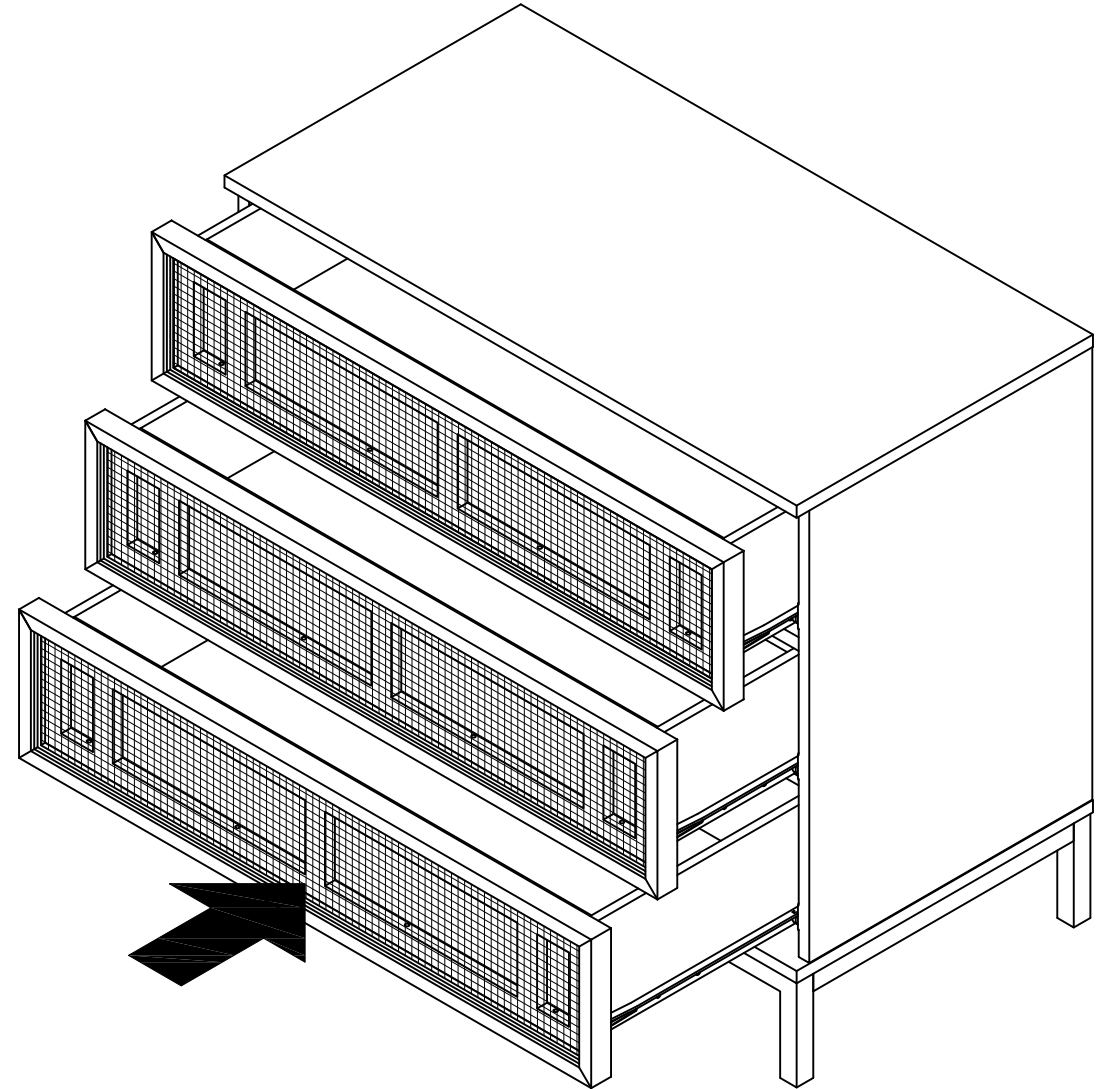
STEP 13 LOOSEN SLIGHTLY THE SCREWS PRE-INSTALLED ON THE BACK OF THE DRAWER FRONTS.



STEP 14 INSERT THE DRAWER INTO THE UNIT, THEN ADJUST THE DRAWER FRONT PANEL LEFT OR RIGHT AND UP OR DOWN UNTIL THE DRAWER GAPS LOOK PROPORTIONAL.



STEP 15 PULL THE DRAWER OPEN SLOWLY AND RE-TIGHTEN THE SCREWS FROM STEP 13. MAKE SURE THE FRONT PANEL DOES NOT MOVE AND LOCK THE DRAWER FRONT PANEL INTO POSITION WITH 3/4" FLAT HEAD SCREWS (HW4).



STEP 16 SLIDE THE DRAWERS INTO UNIT.