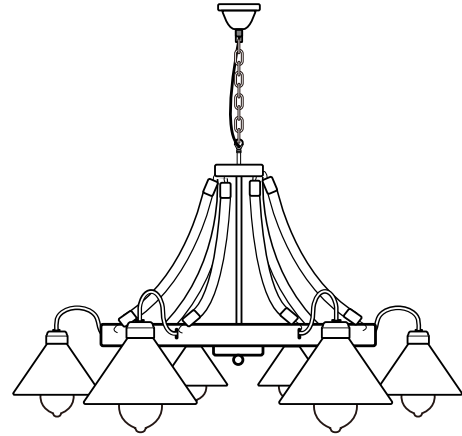


Instruction manual

Installation And Safety Instructions



Item No. 458663

*Bulb Not Included

GROUNDING INSTRUCTIONS

STEP 1: Insert the green grounding screw into the hole with two raised dimples on the mounting bar. Wrap the ground wire from the fixture (if supplied) around the green grounding screw, then connect it to ground wire from the outlet box (if not fixed on the outlet box) using a wire connector (not supplied). If ground wire from the fixture is not supplied, wrap the ground wire (if not fixed on the outlet box) from the outlet box around the green grounding screw and tighten it.

NEVER CONNECT GROUND WIRE TO BLACK OR WHITE POWER SUPPLY WIRES.

STEP 2: Take note of the color of the wire(s) on your fixture. Identify which group your fixture wire(s) falls into and connect the wires according to the directions below;

GROUP A: Connect to Black	GROUP B: Connect to White
BLACK	WHITE
*PARALLEL WIRE (round & smooth)	PARALLEL WIRE (square & ridged)
WHITE OR GREY TRACER	WHITE OR GREY WITHOUT TRACER
BROWN GOLD OR WITHOUT TRACER	BLACK BROWN, GOLD OR BLACK WITH TRACER

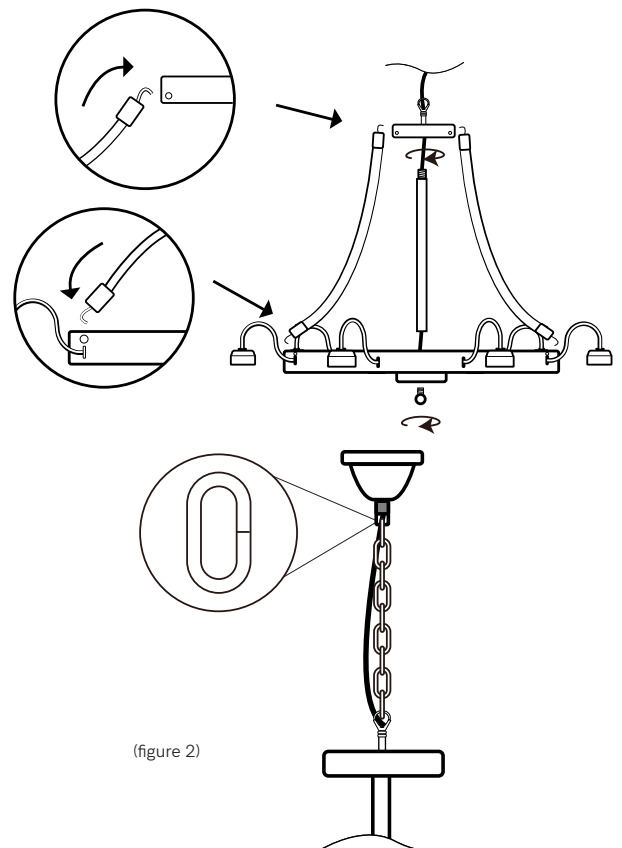
***NOTE:** When parallel wire (SPT-1 & SPT-2) is used, the tracer wire is square shaped or ridged and the less tracer wire is round in shape or smooth (seen best when viewed from wire end.)

STEP 3: Take your fixture wire(s) from group A and place evenly against the black wire from the outlet box. Do NOT twist wires together before using wire connectors

STEP 4: Fit a wire connector over the wires and screw the connector clockwise until you feel firmness.

STEP 5: Try gently to pull the connector off the wires. If you can pull the connector off, carefully re-do steps 3 and 4 as above, and check again for a firm connection.

2. Install parts according to the picture instructions. Hook the middle plate and the light frame. (figure 2);



(figure 2)

FOR YOUR SAFETY

WARNING: BE SURE THE ELECTRICITY TO THE WIRES YOU ARE WORKING ON IS SHUT OFF; EITHER THE FUSE IS REMOVED OR THE CIRCUIT BREAKER IS SHUT OFF

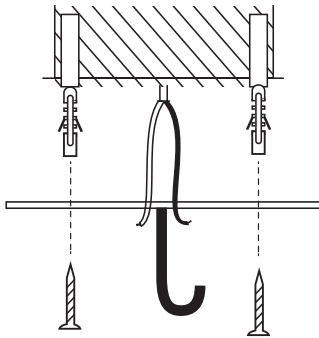
GENERAL

You don't need special tools to install this fixture. Be sure to follow the steps in the order given. Under no circumstances should a fixture be hung on house electrical wires, nor should a swag type fixture be installed on a ceiling, which contains a radiant type heating system. Read instructions carefully. If you are unclear as to how to proceed, consult a qualified electrician

NOTE: Proper wiring is essential for the safe operation of this fixture.

INSTALLATION

1. Use the mounting screws to attach the mounting bracket onto the ceiling. (figure 1);



(figure 1)

STEP 6: Connect the fixture wire from group B to the white wire from the outlet box in the same manner. Make sure no bare wires can be seen outside wire connectors.

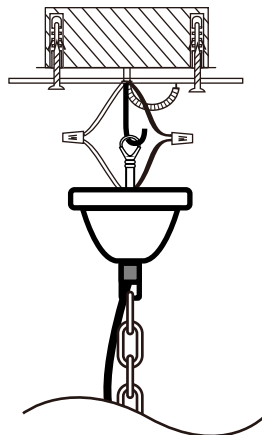
CLEANING

To clean, wipe fixture with a soft cloth. Clean glass with a mild soap. Do not use abrasive materials such as scouring pads or powders, steel wool or abrasive paper.

ORDERING PARTS

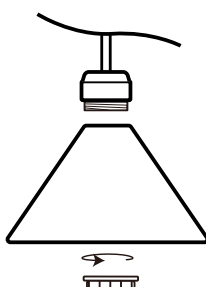
Keep this sheet for future reference, and in case you need to order replacement parts. All parts for this fixture can be ordered from place of purchase. Be sure to use exact wording from illustration when ordering parts.

3. Make the electrical connection from ceiling to the fixture. Connect the ground wire to the mounting bracket using the GREEN hex-head ground screw. Connect the ground wire with the ground wire from the ceiling. Then connect the live wire (fire wire) from the fixture with the live wire from the ceiling by wire connector. Connect the naught wire from the fixture with the naught wire from the ceiling by wire connector. As follow the picture. (figure 3);



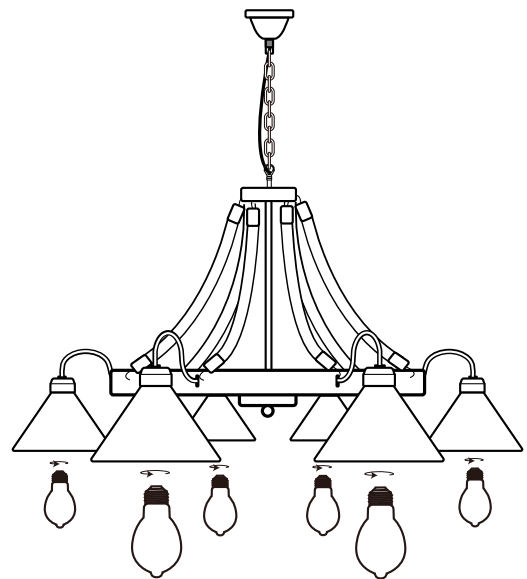
(figure 3)

4. Place the shade over the socket, secure by threading socket collar onto socket. Hand tighten until snug. (figure 4)



(figure 4)

5. Install bulbs(not included). Please do not exceed the maximum capacity recommended on the socket.(figure 5)



(figure 5)

Note: if the ceiling is not reserved with the ground wire, the lamp does not connect the ground wire.