



Thank you for supporting our mission to create a greener planet through reforestation. Before starting, please make sure all pieces listed in this manual are complete. And save this manual for future reference.

When assembling, we recommend placing all wooden parts on a soft, clean and flat surface to avoid scratches and damage while assembling your brand new MasayaCo piece.

Need any assistance?  
Feel free to contact our Customer Service Team.

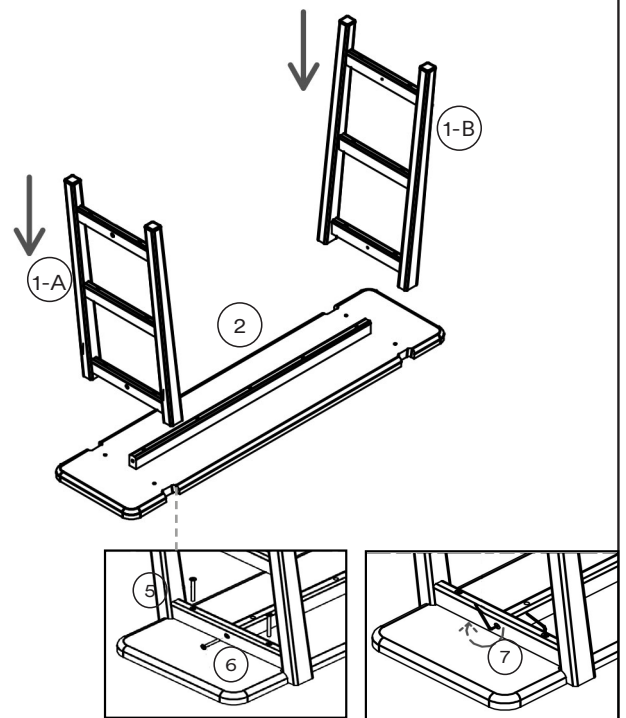
(615) 953 - 9373,  
customerservice@masayacompany.com  
or using our chat on [www.masayacompany.com](http://www.masayacompany.com)

30 Min 2 people Allen Hex Key

ID	Description	Qty	Reference
1	Wood Legs	2	
2	Shelf A	1	
3	Shelf B	1	
4	Shelf C	1	
5	Decorative heat bolt 13 mm x 65 mm (2.5")	12	
6	Decorative heat bolt 13mm x 40 mm (1.5")	4	
7	Allen Hex Key	1	

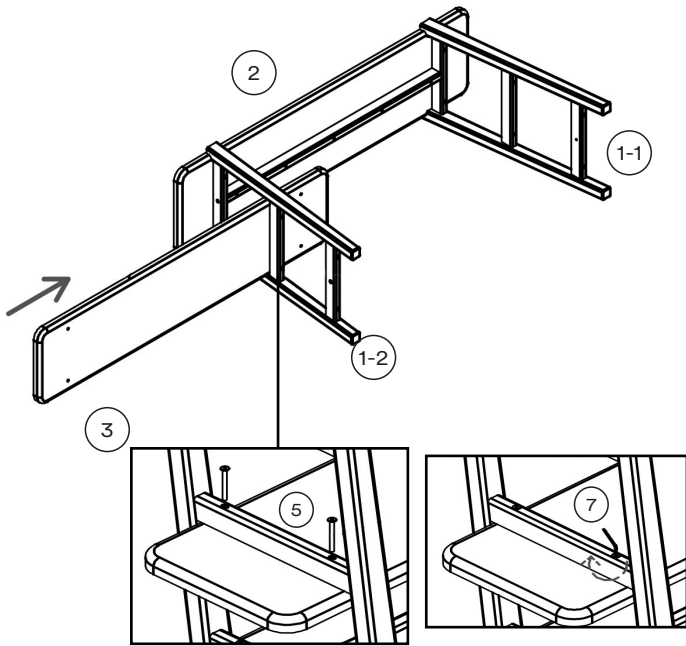
### Step 1

Place the side leg frames on a smooth and flat surface; position Shelf A on top of them. Next, insert the decorative bolts through the side skirts and shelf brace, and screw until secure.



## Step 2

Place Shelf B and position the decorative bolts on both sides. Once everything is in place, screw them in until secure.



## Step 3

Repeat the previous steps for Shelf C, and once everything is in place, screw them in until secure.

