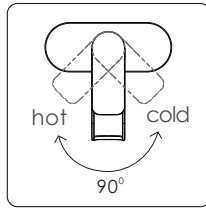
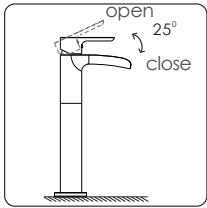
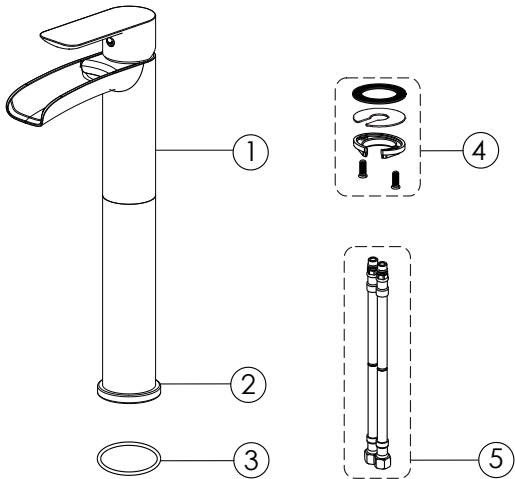


Application Instruction

Gradually pull the handle, it will be more advangeous to protect the cartridge.



Standard Part List



| NO. | Part Name | Quantity |
|-----|-------------------|----------|
| 1 | Body Assy | 1 |
| 2 | Base | 1 |
| 3 | O-Ring | 1 |
| 4 | Fitting Assy | 1 |
| 5 | Water Supply Hose | 2 |

· Every once in a while, please rinse the faucet with lukewarm soapwater, and wipe it clean with a soft duster cloth.
 Please avoid any abrasive cleaners, steel wools, or corrosive chemicals.

BEFORE INSTALLATION

- To insure proper installation, please read the following instructions carefully.
- Please make sure that the water supply has been shut off at the stop valve.
- NEWATER reserves the right to update product without notice.

Installation Steps

1

1. Make sure there is a $\varnothing 30\text{-}\varnothing 33$ mm Hole on the basin before fix the mixer, Unscrew the ④ Fitting ASSY from the bottom of the body, then get the body through the hole, don't forget to fix the ③ O-ring between the bottom of the ① Body and the Basin.

2

2. According the remove step to screw up the fixing set to the mixer below the basin. Use hand to screw up the locknut, then use install tool for fixing strengthen.

3

3. Connect and screw on the ⑤ Supply Hoses to Valves.

4. Turn on faucet to check for leaks.