

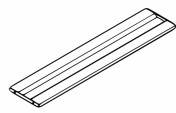
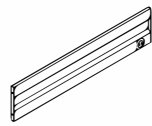
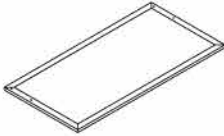
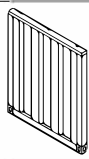
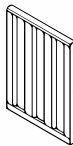
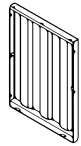
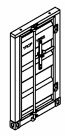


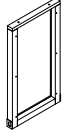
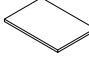
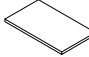

ASSEMBLY INSTRUCTION FOR FURNITURE









Container shape computer desk

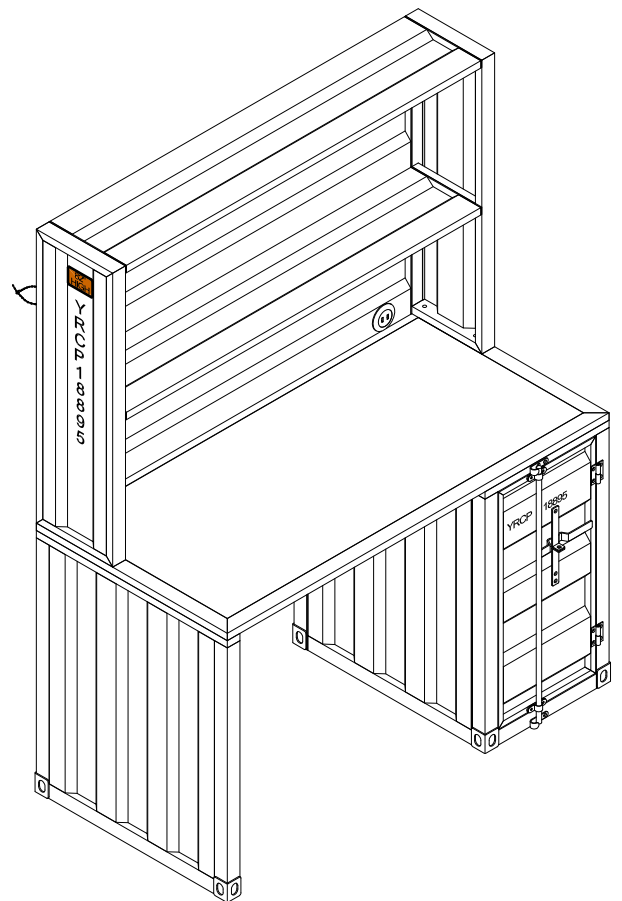
Thank you for purchasing this quality product. Be sure to check all packing materials carefully for small parts which may have come loose inside the carton during shipment. Separate, identify, and count all parts and metal hardware. Compare with parts list to be sure all parts are present. If any part(s) are missing or damaged, please contact your local furniture dealer. For efficient and speedy service, please indicate the model number and code letter of the part(s) needed.

***** Do not fully tighten screws until fully assembled *****

COMPONENT PARTS		
DECERPTION	PART NAME	Q'TY(PCS)
1	Up-Left side frame 	1pc
2	Up-Right side frame 	1pc
3	Big Layer plate 	3pcs
4	Back plate 	1pc
5	Desk-top 	1pc
6	Down-Left side frame 	1pc
7	Down-Mid side frame 	1pc
8	Down-Right side frame 	1pc
9	Door 	1pc

10	Back frame		1pc
11	Middle Layer plate		1pc
12	Bottom plate		1pc
13	Support plate		1pc

HARDWARE REQUIRED:	
A	 Bolt 1/4"x5/8" - 32pcs
B	 Bolt 1/4"x1-3/8" - 12pcs
C	 Bolt 1/4"x1-3/8" - 2pcs
D	 Allen Wrench M4 - 1pc
E	 Screw M4 - 1pc
F	 Metal Plate - 2pcs
G	 Anchor - 1pc
H	 Girding - 1pc



Attention:

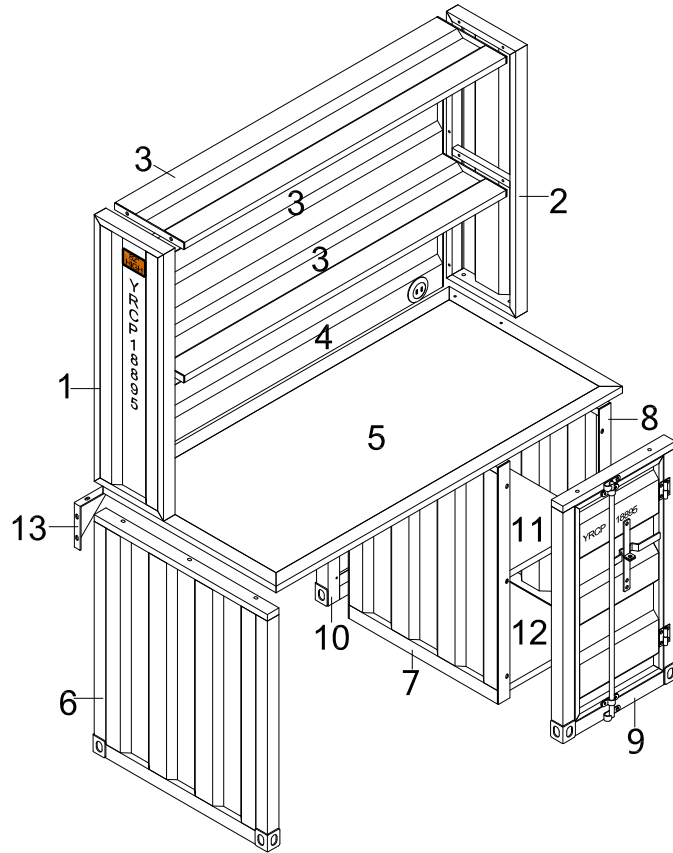
***Mattresses not included.

***Some number parts listed on the instruction sheet may not be in parts bag as they may already be assemble.
Carefully check parts and packing materials prior to ordering replacements.

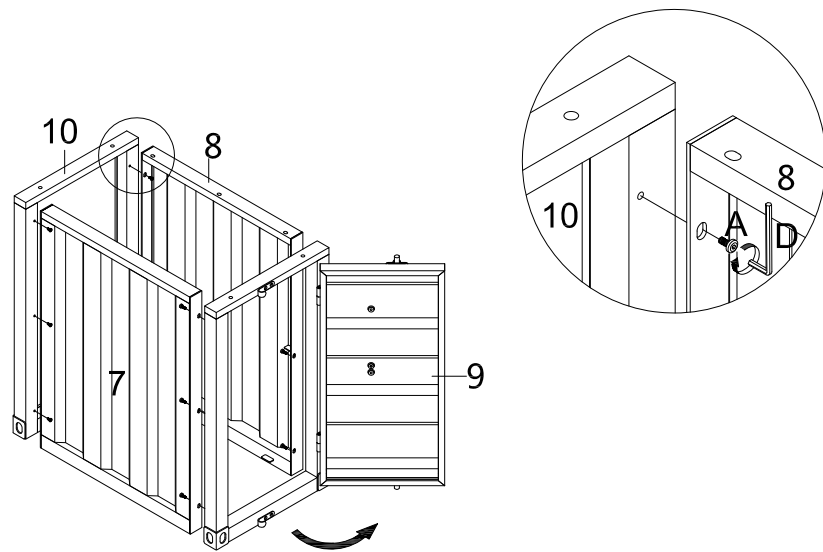
How to Assemble:

STEP 1.

Exploded View



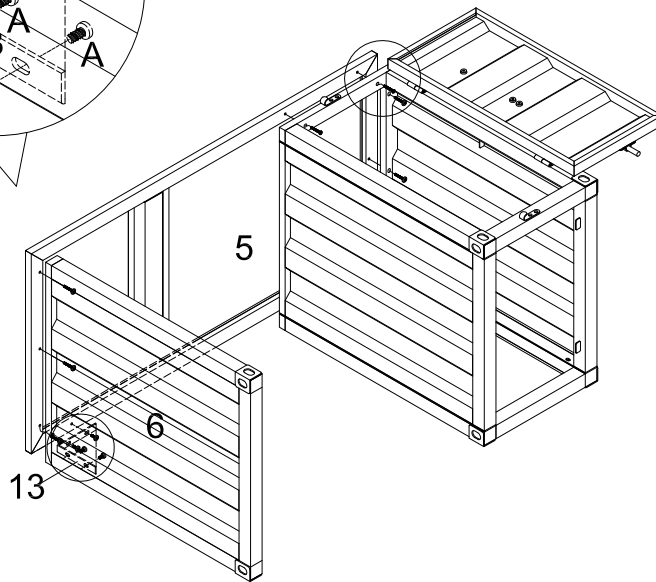
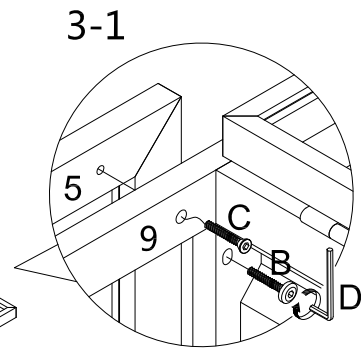
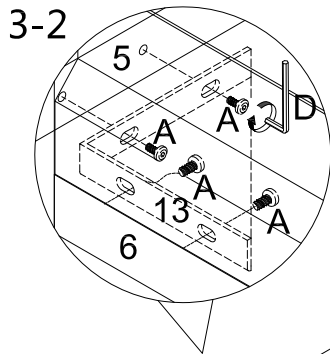
STEP 2.






A  12pcs

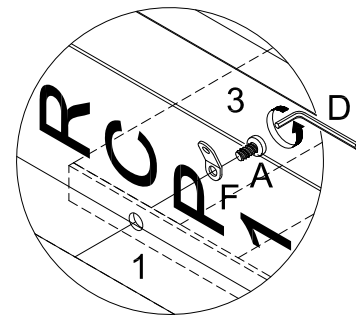
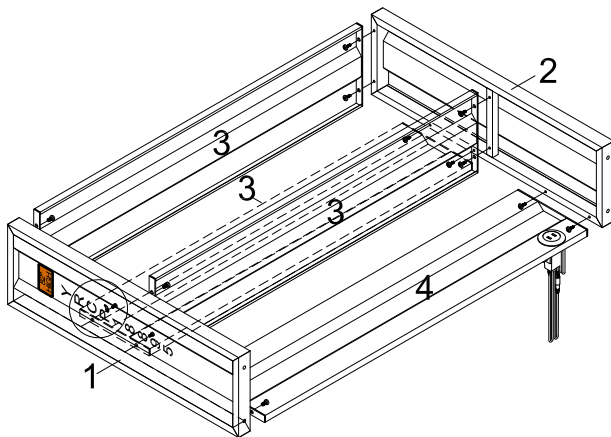
How to Assemble:



STEP 3.



A		4pcs
B		8pcs
C		2pcs

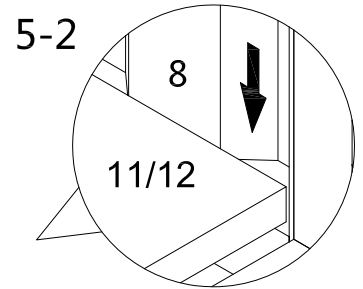
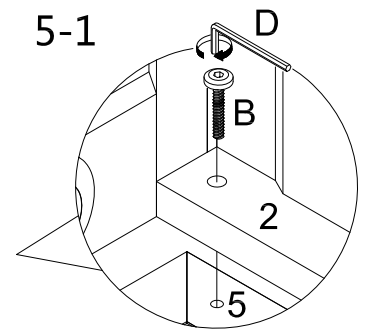
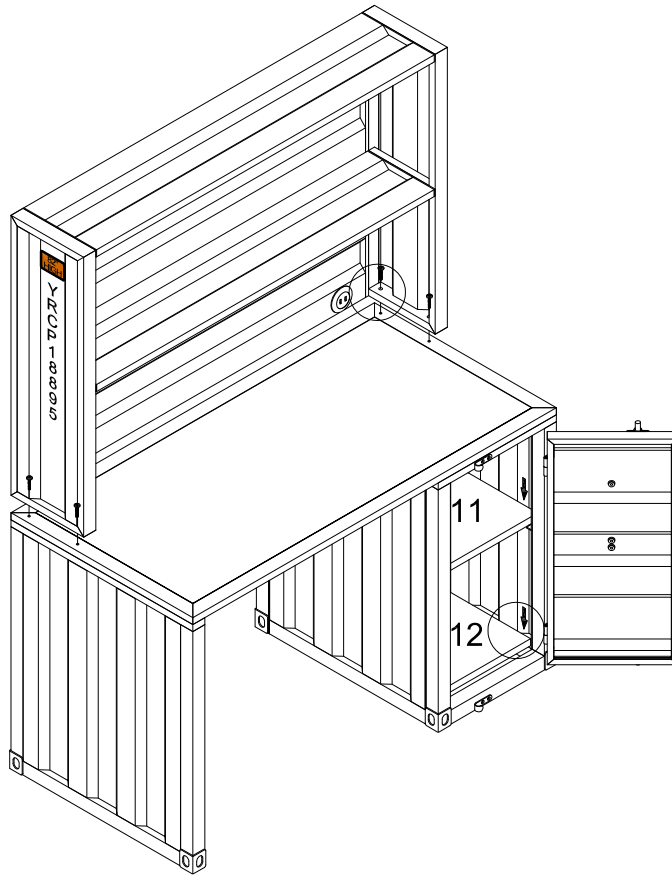
STEP 4.



A		16pcs
F		1pc

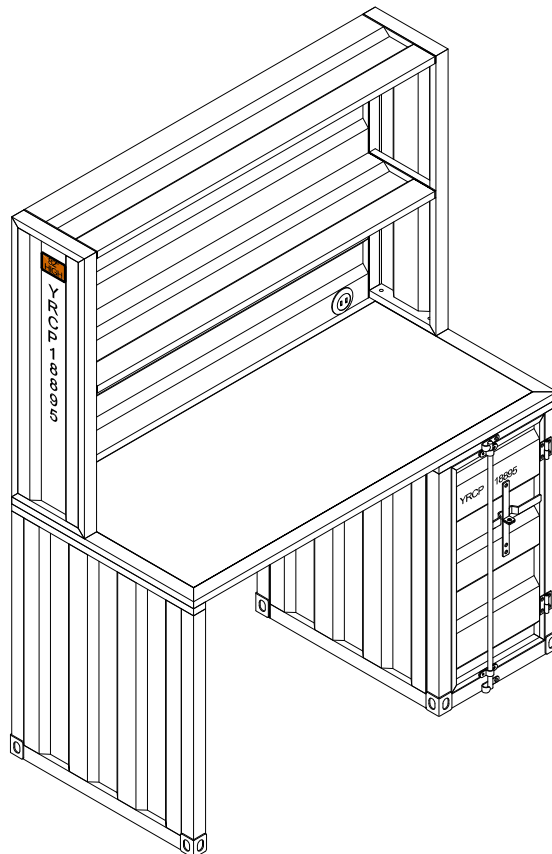
How to Assemble:

STEP 5.



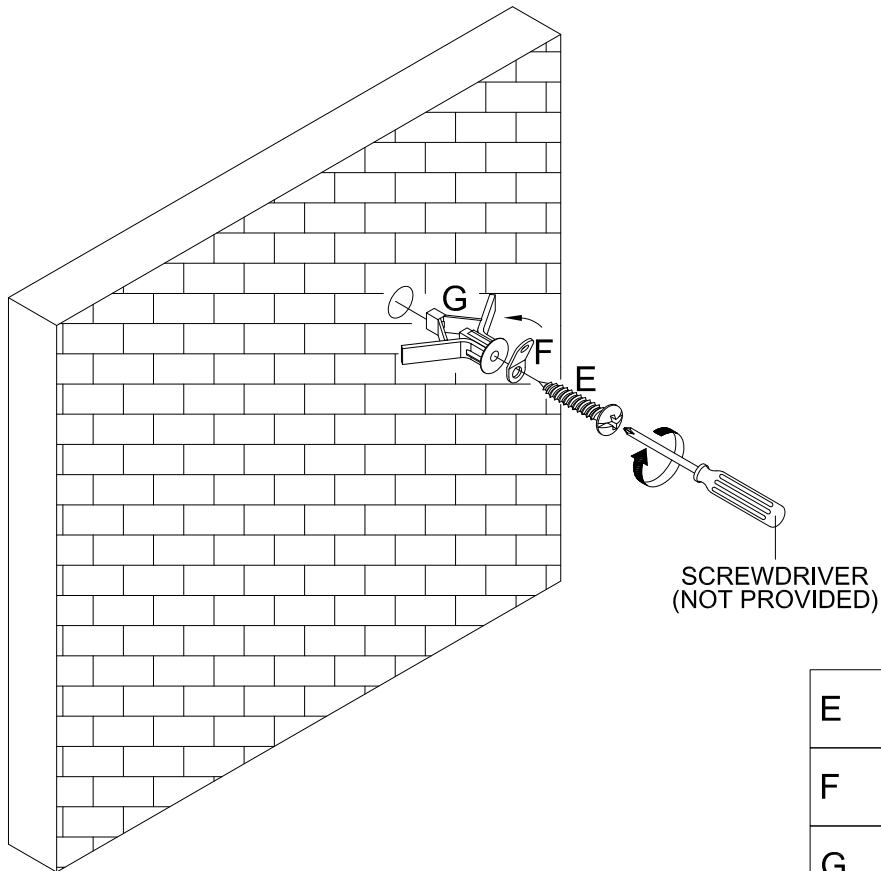
B  4pcs




STEP 6.



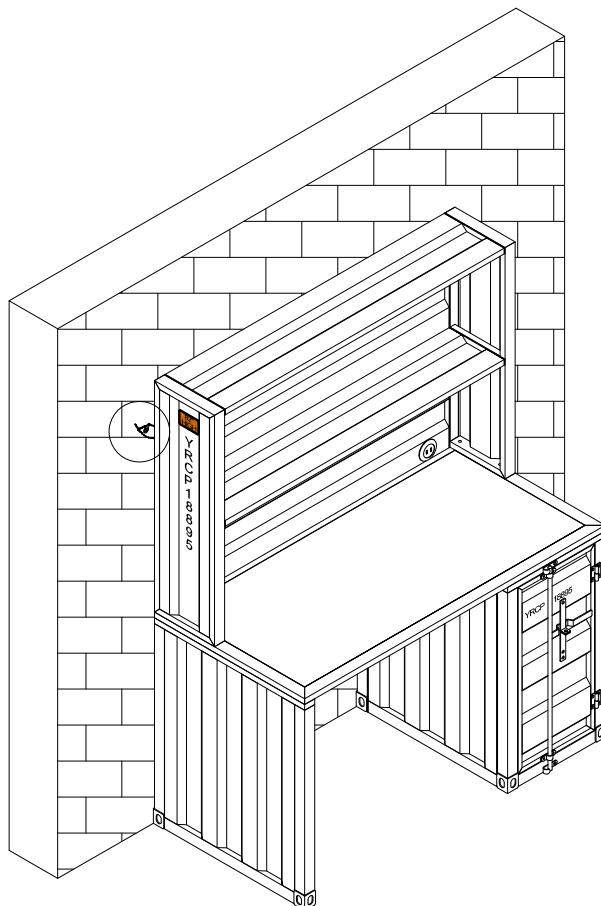
How to Assemble:

STEP 7.

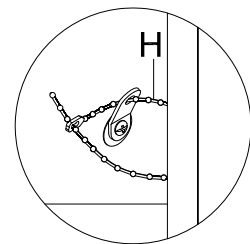



E		1pc
F		1pc
G		1pc

STEP 8.



To Prevent Tip over
Product Must Be
Attached To Wall



H		1pc
---	---	-----