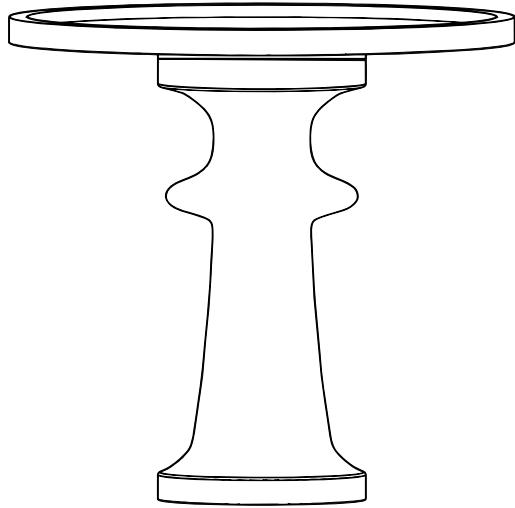

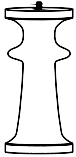


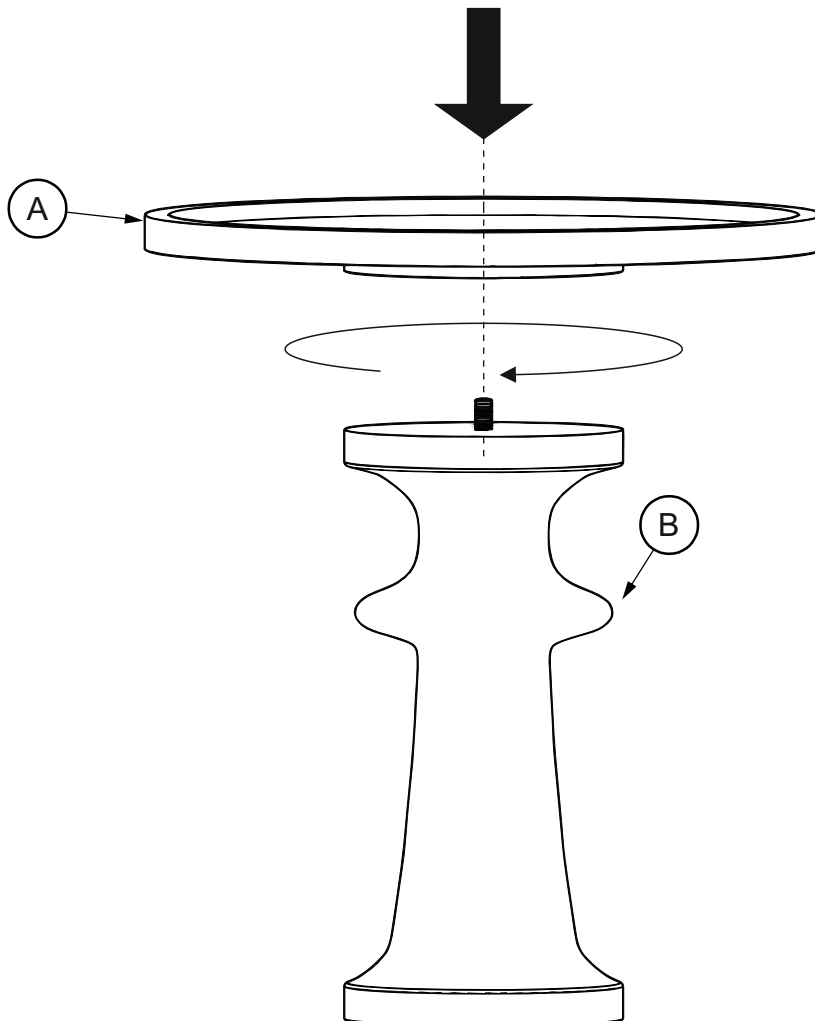
ASSEMBLY INSTRUCTION FOR

END TABLE



HARDWARE LIST				
A		TOP	Ø508 X 31.75mm.	1
B		BASE	Ø197 X 450mm.	1

Step 1



Step 2

