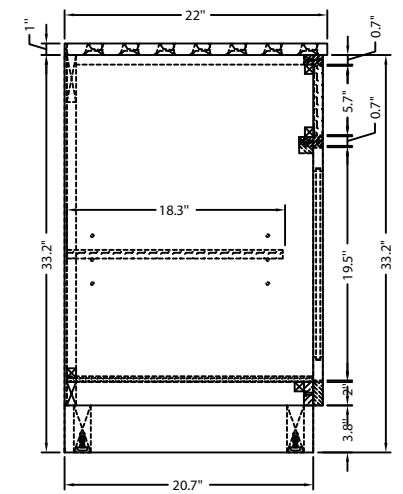
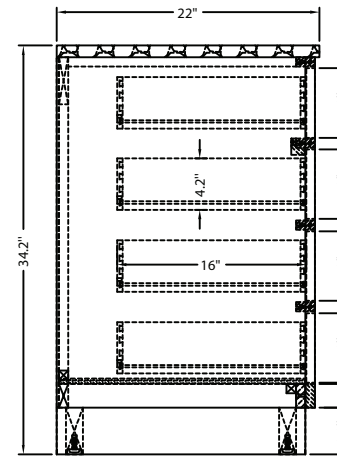
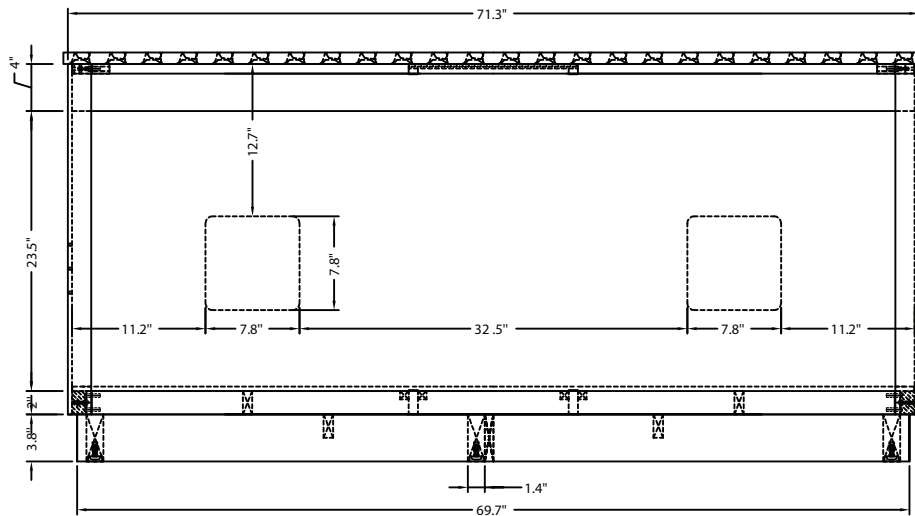
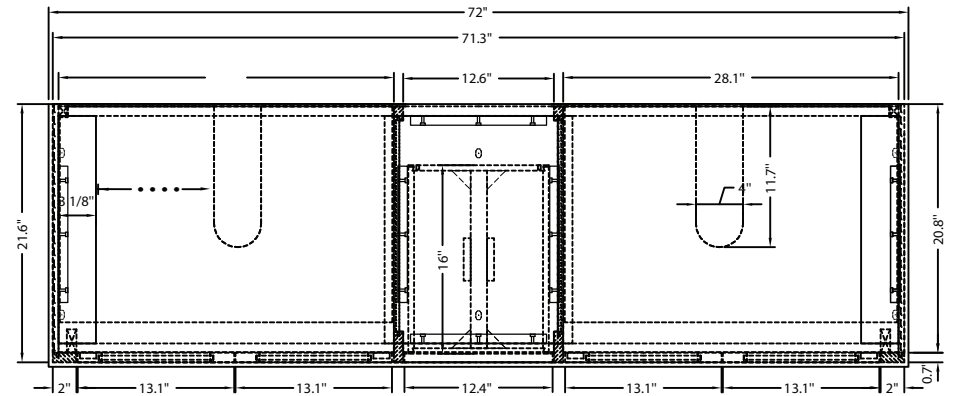
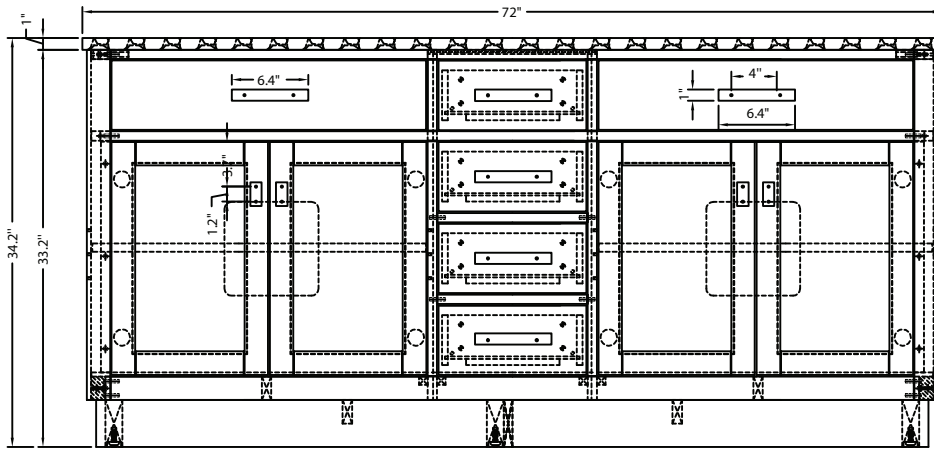


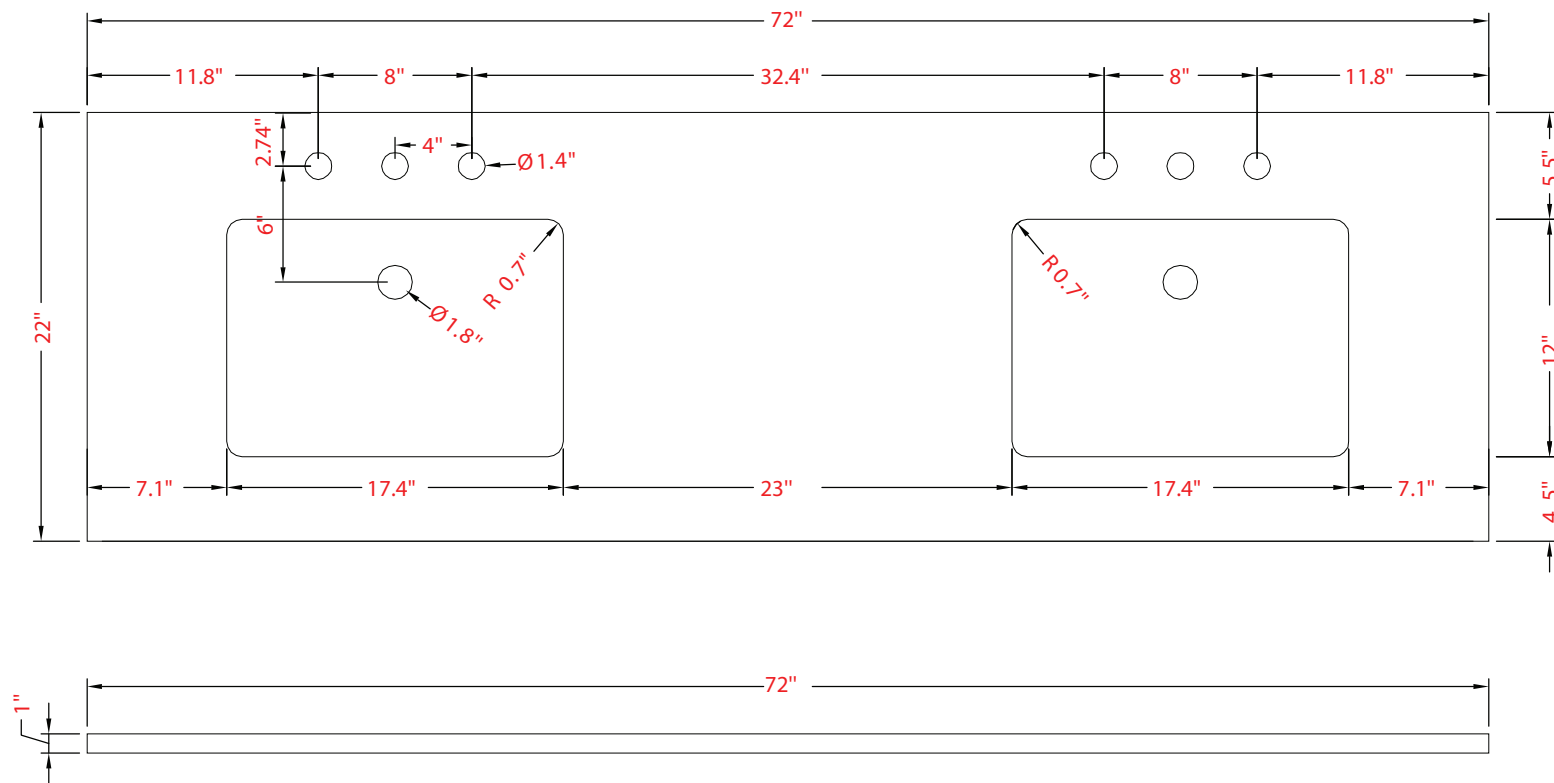


MODEL: HARTFORD 72



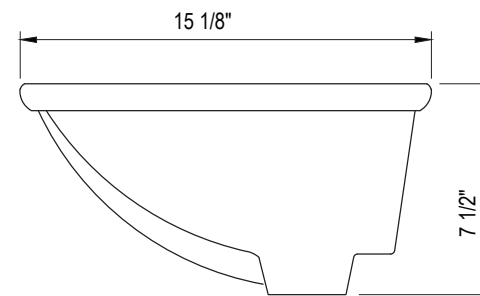
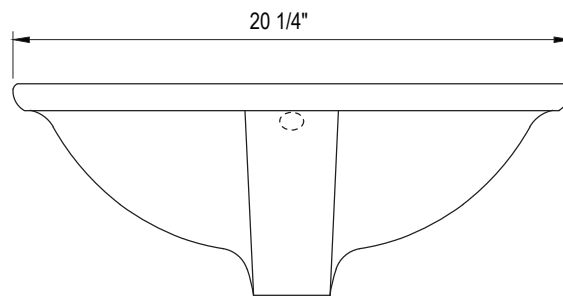
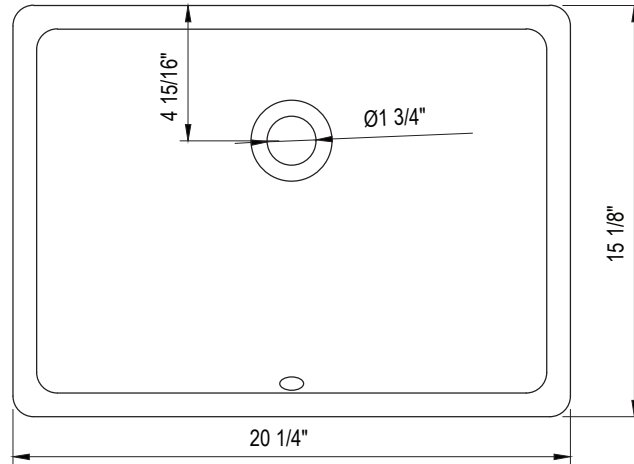


MODEL: HARTFORD 72



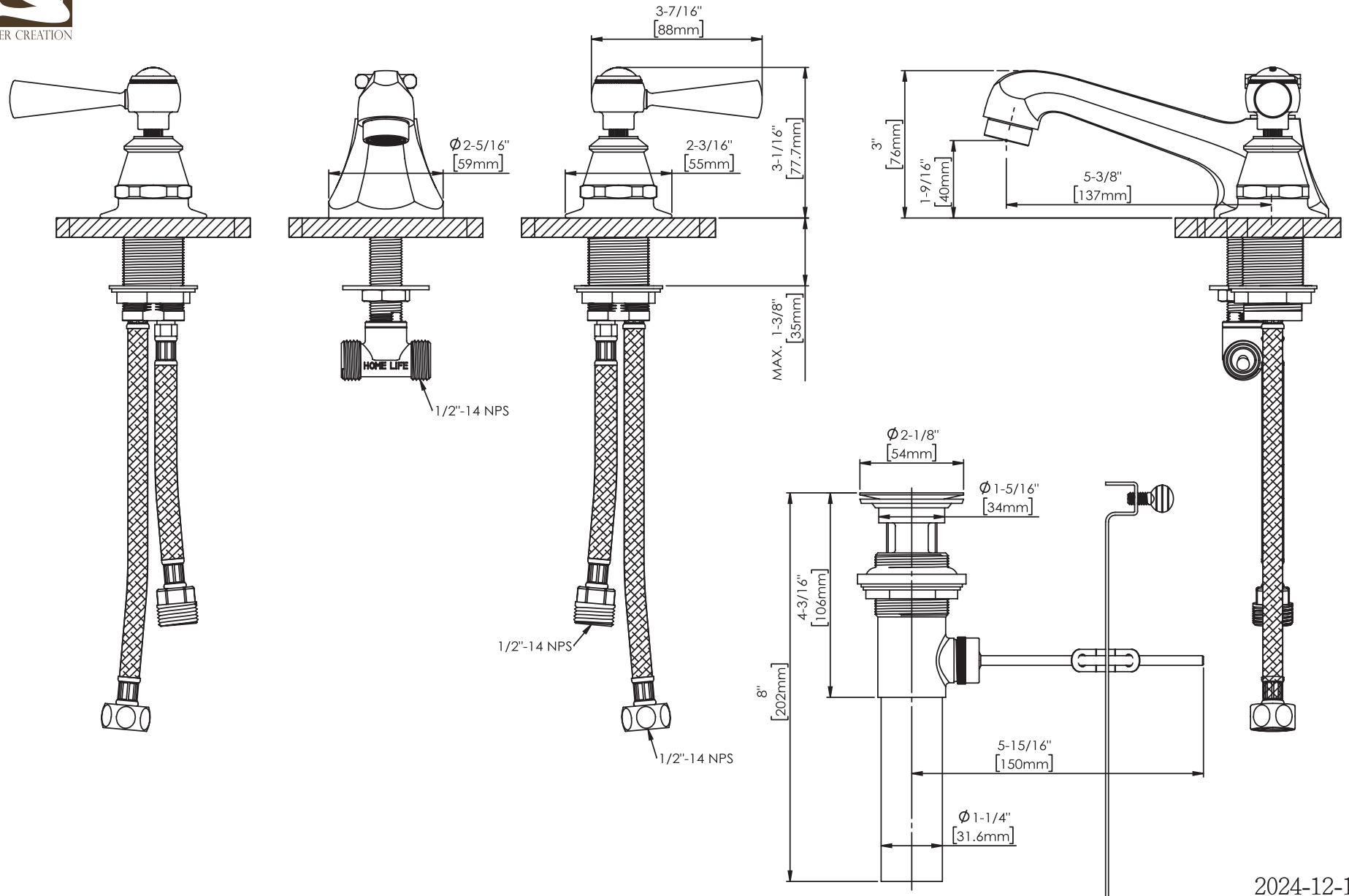


MODEL: HARTFORD 72





MODEL: F2-0009-TL



2024-12-19