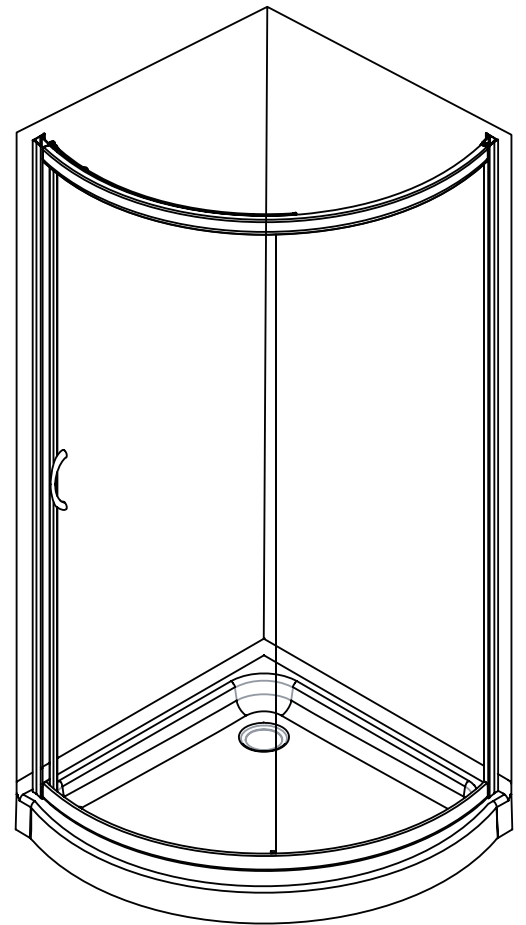
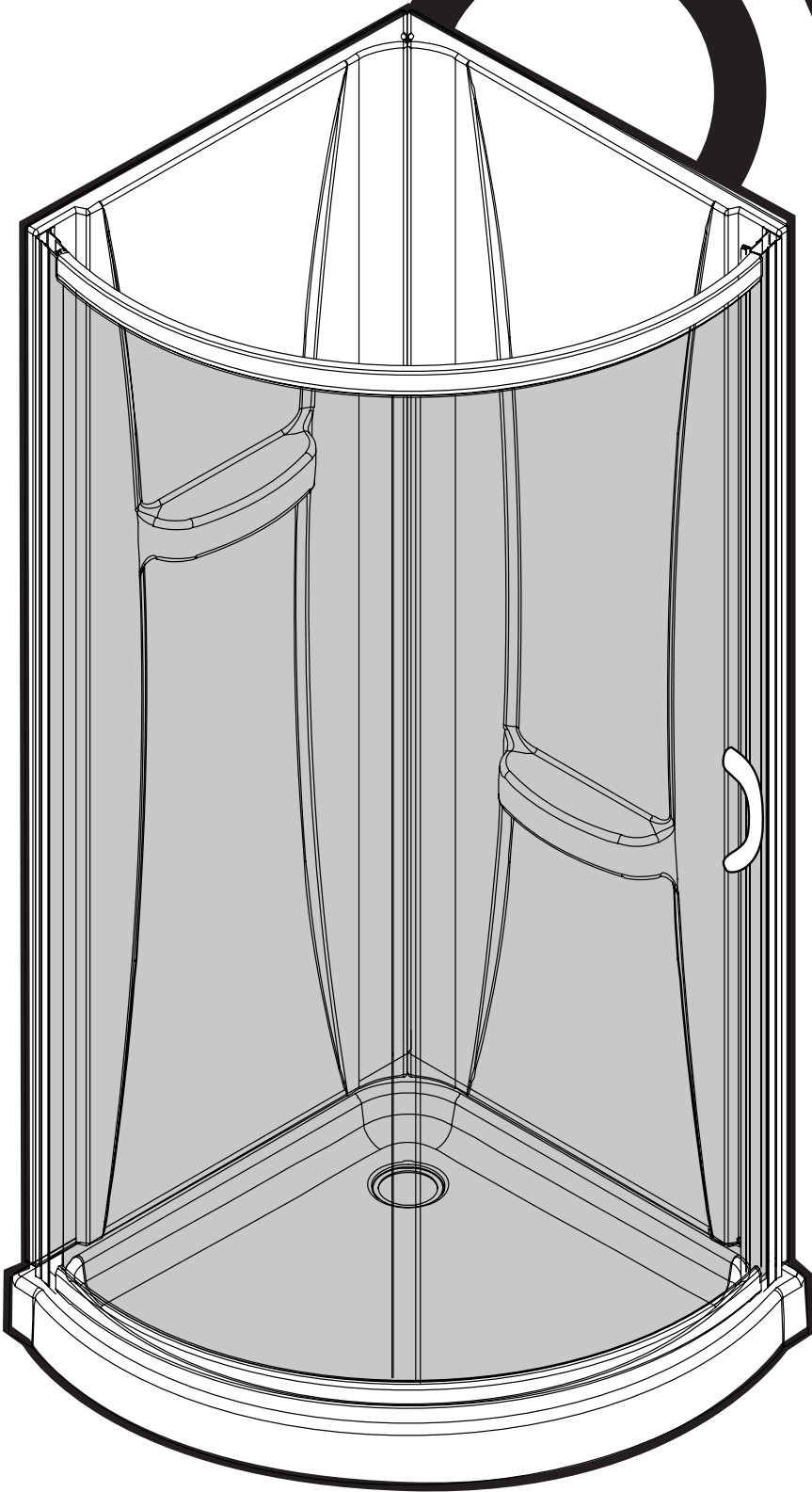




LOVE



BREEZE ROUND CORNER SHOWER

INSTALLATION MANUAL

WATCH
INSTALL
VIDEO
HERE
2025-12



THANK YOU
FOR CHOOSING

OVE

For the easy installation of this product please read the following important points:

- **READ ALL** the instructions completely before beginning.
- **ENSURE** you find all parts listed in the part list of each package: Shower Door, Shower Base, Shower Wall (if purchased as a kit). Contact customer service immediately if any part is missing at 1-866-839-2888 or customerservice@ovedecors.com.



INSTALLATION CONDITIONS



Out of Plumb Conditions



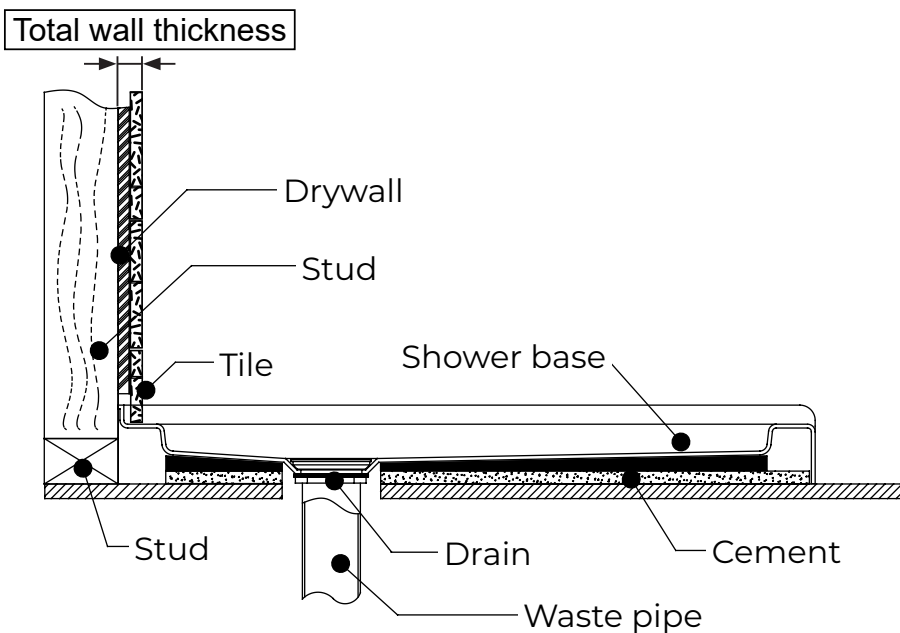
WARNING! OUT OF PLUMB CONDITIONS!!!

This model is designed to accommodate walls that are less than 1/2" (13mm) out of plumb. Installing on a wall that is more than 1/2" (13mm) out of plumb may cause extra stress and improper function. Consult local qualified plumber to fix the out of plumb beyond 1/2" (13mm), otherwise use the acrylic wall panels and follow option B for installation.

Wall Thickness



If you purchase a kit without OVE acrylic wall panels, please ensure your total wall thickness meets below requirements for a proper installation.



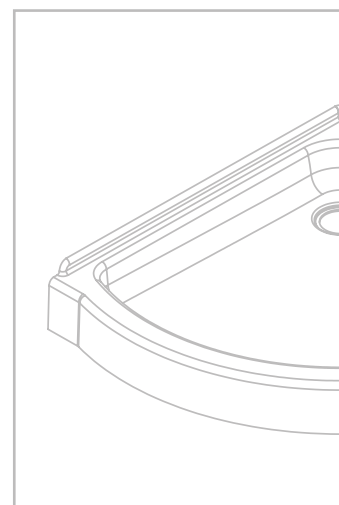
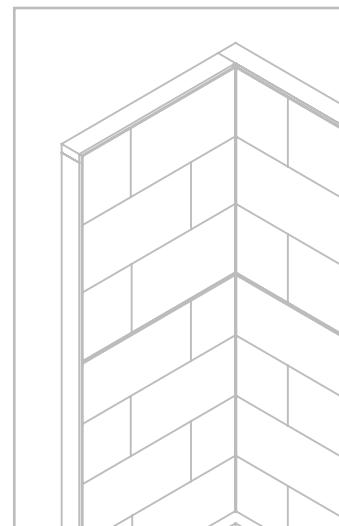
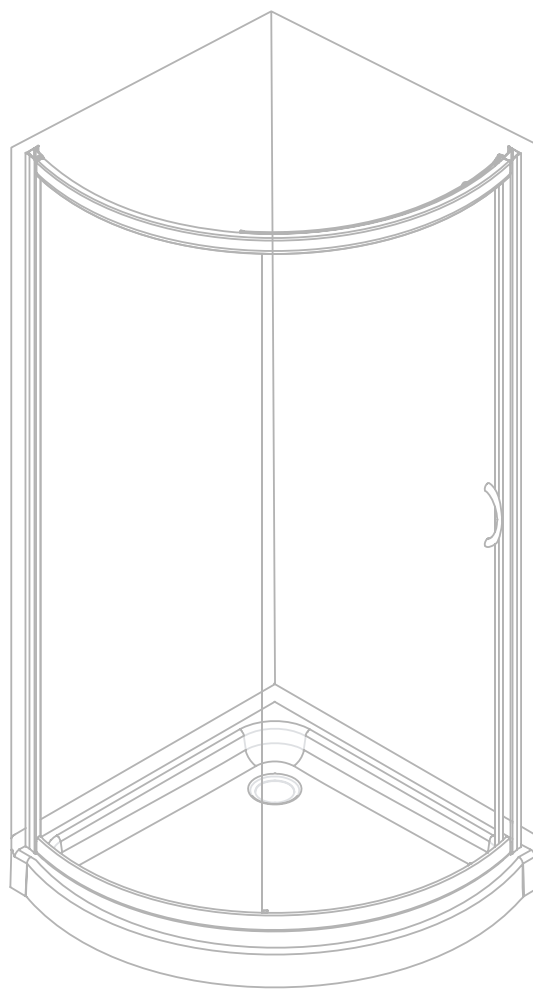
Warning!!!

The total wall thickness should be within the range as per the table below for a proper installation.

| Shower size | MIN | MAX |
|-------------|-----------------|-----------------|
| 33" | 1 1/16" 18mm | 1 1/4" 32mm |
| 35" | 1 1/16" 18mm | 1 3/16" 30mm |
| 40" | 1 1/16" 18mm | 1 1/16" 27mm |
| 44" | 1 1/16" 18mm | 1 1/8" 29mm |

CONTENTS

TABLE OF



| | |
|---|-------|
| Safety Information | 5 |
| Types of Installation & Tools Required | 6 |
| Parts & Tools Checklist | 7-17 |
| Base Installation Information | 18-20 |
| Base Installation (Option A)..... | 21-27 |
| Base Installation (Option B)..... | 28-36 |
| Step-by-Step Base Installation | 29-32 |
| Step-by-Step Acrylic Wall Panels Installation | 33-36 |
| Shower Door Installation | 37-55 |
| Preparation | 38 |
| Step-by-Step Door Installation | 39-55 |
| Maintenance & Care | 56 |
| Warranty | 57 |
| Notes | 58-59 |

SAFETY INFORMATION



Please carefully read the following important safety information before handling or installing this shower. There is a risk of serious injury while handling this product.

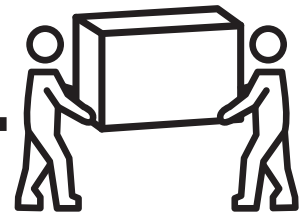
To minimize these risks, please note:

- Always wear safety glasses and gloves while handling.
- Always read and follow all the steps in the installation instructions.
- Inspect all contents and glass for damage before installation.
- Extreme caution should be taken while handling the glass during installation as the tempered glass may shatter if in contact with a hard surface.
- HANDLE THE TEMPERED GLASS WITH CAUTION! Improperly handling the glass can cause it to break suddenly in small pieces (never in pointed fragments).
- Always take all precautions not to touch the tempered glass with any tools during the installation, or after installed.
- Do not cut or modify the tempered glass as it will shatter if cut.
- Carefully remove product from packaging and keep packaging until installation is complete.
- Inspect all parts for damage; if there is damage to the unit prior to installation, please contact customer service at the number provided in this guide.
- Install the shower on a floor that is level and able to accommodate the weight of the unit and an occupant.
- Consult local building codes and compliance standards prior to installation and ensure conformity.
- After installation, and from time to time, check the glass for fit and finish to ensure that nothing has come loose since installation.
- Keep this installation manual for future reference.

NOTICE

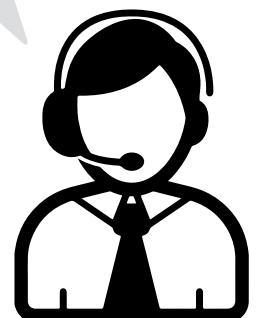
Any modification or alteration from what is specified in this instruction manual will void any and all warranty on this product. The distributor is not responsible for any damage to the unit or personal property caused by improper installation. If you disregard instructional warnings, you will void your warranty and possibly deal with water damage. Consult the distributor's website for any additional information or question on this product's installation.

You will need at least two people to install this unit properly.



Questions, problems, need help?

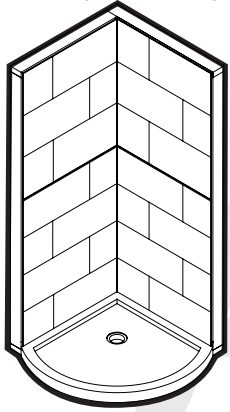
Call our customer service department at 1-866-839-2888, 9 a.m. - 5 p.m., EST, Monday - Friday



TYPES OF INSTALLATION

OPTION (A):

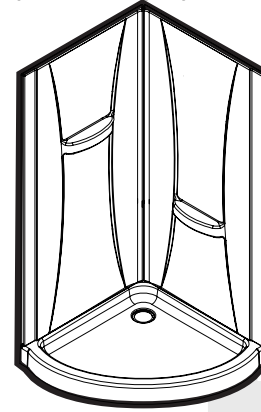
Installation with tiles or composite wall panels (not supplied).



If your walls are made of tile or composite panels **(OPTION A)** continue to pages identified with **A**.

OPTION (B):

Installation with OVE acrylic panels (if purchased as a kit).

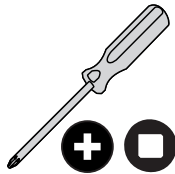


If you are using the provided Acrylic Panels **(OPTION B)** continue to pages identified with **B**.

TOOLS REQUIRED (NOT SUPPLIED)



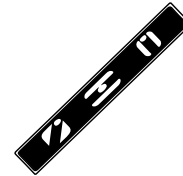
Pencil



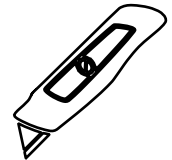
Screwdriver
Phillips & Robertson SQ1



Measuring tape



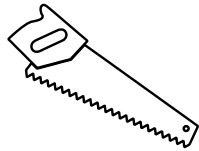
Level



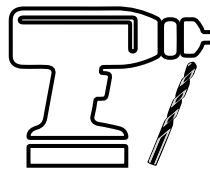
Box cutter



Silicone



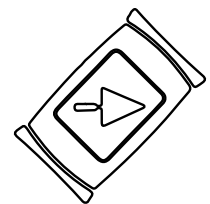
Saw



Drill and drill bits
ø1/8" (3mm)
ø3/16" (5mm)
ø1/4" (6mm)



Wood
shims



Mortar
Cement



Trowel



Safety
glasses



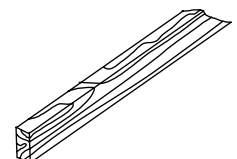
Rubber
mallet



Ratchet
5mm Bit socket



Construction
Adhesive



1x3 in Batts

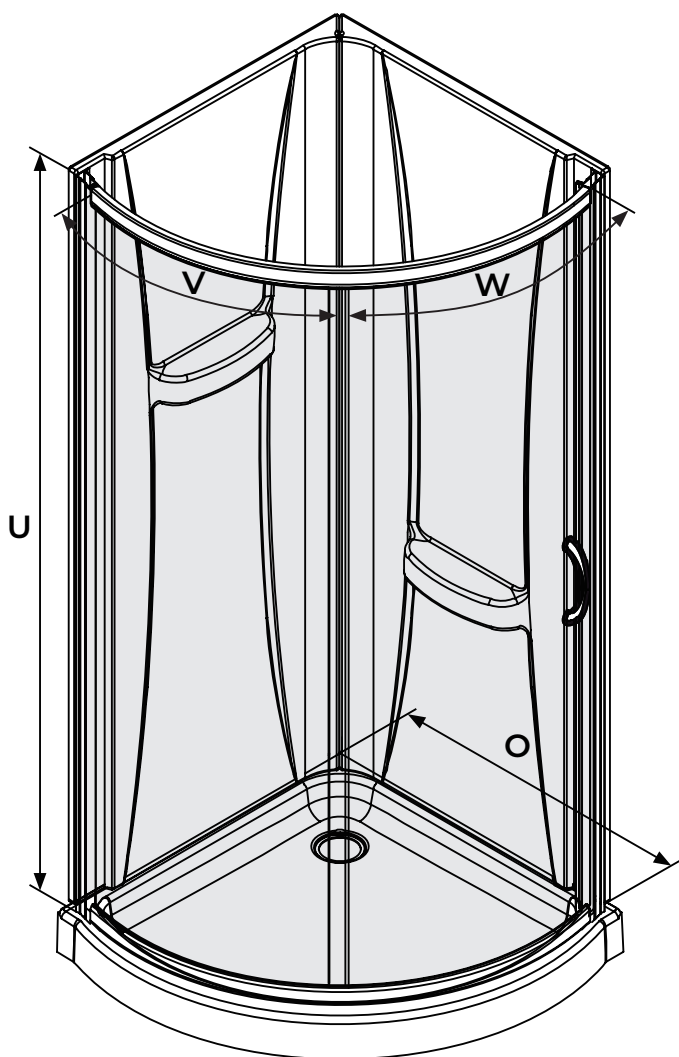
CHECKLIST

PARTS
& TOOLS

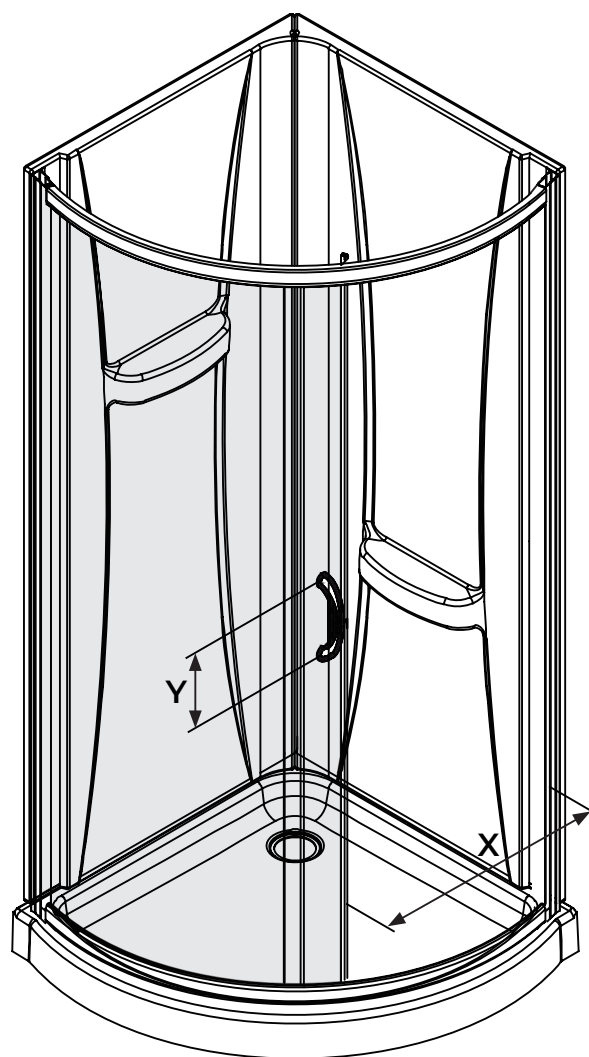


OVERALL SHOWER DIMENSIONS

| | Measurements | 33" | 35" | 40" | 44" |
|---|--|--------------------------------------|-------------------------------------|---------------------------------|---------------------------------|
| O | Shower width (wall track to wall track) | 29 13/16" 758mm | 31 1/4" 793mm | 33 7/16" 850mm | 35 7/8" 911mm |
| U | Shower height | 72 13/16" 1850mm | 72 13/16" 1850mm | 72 13/16" 1850mm | 72 13/16" 1850mm |
| V | Fixed panel width | 22 3/4" R23" 578 R584mm | 25 1/16" R23" 637 R584mm | 30 15/16" R23" 786 R584mm | 39 3/16" R24 1/2" 995 R622mm |
| W | Door panel width | 23 15/16" R22 1/16" 608 R560mm | 26 3/16" R22 1/16" 665 R560mm | 32 1/4" R22 1/16" 819 R560mm | 32 5/8" R23 9/16" 829 R598mm |
| X | Door opening | 19 15/16" 506mm | 21 13/16" 554mm | 25 11/16" 652mm | 26 1/8" 664mm |
| Y | Distance between handle holes | 5 11/16" 145mm | 5 11/16" 145mm | 5 11/16" 145mm | 5 11/16" 145mm |

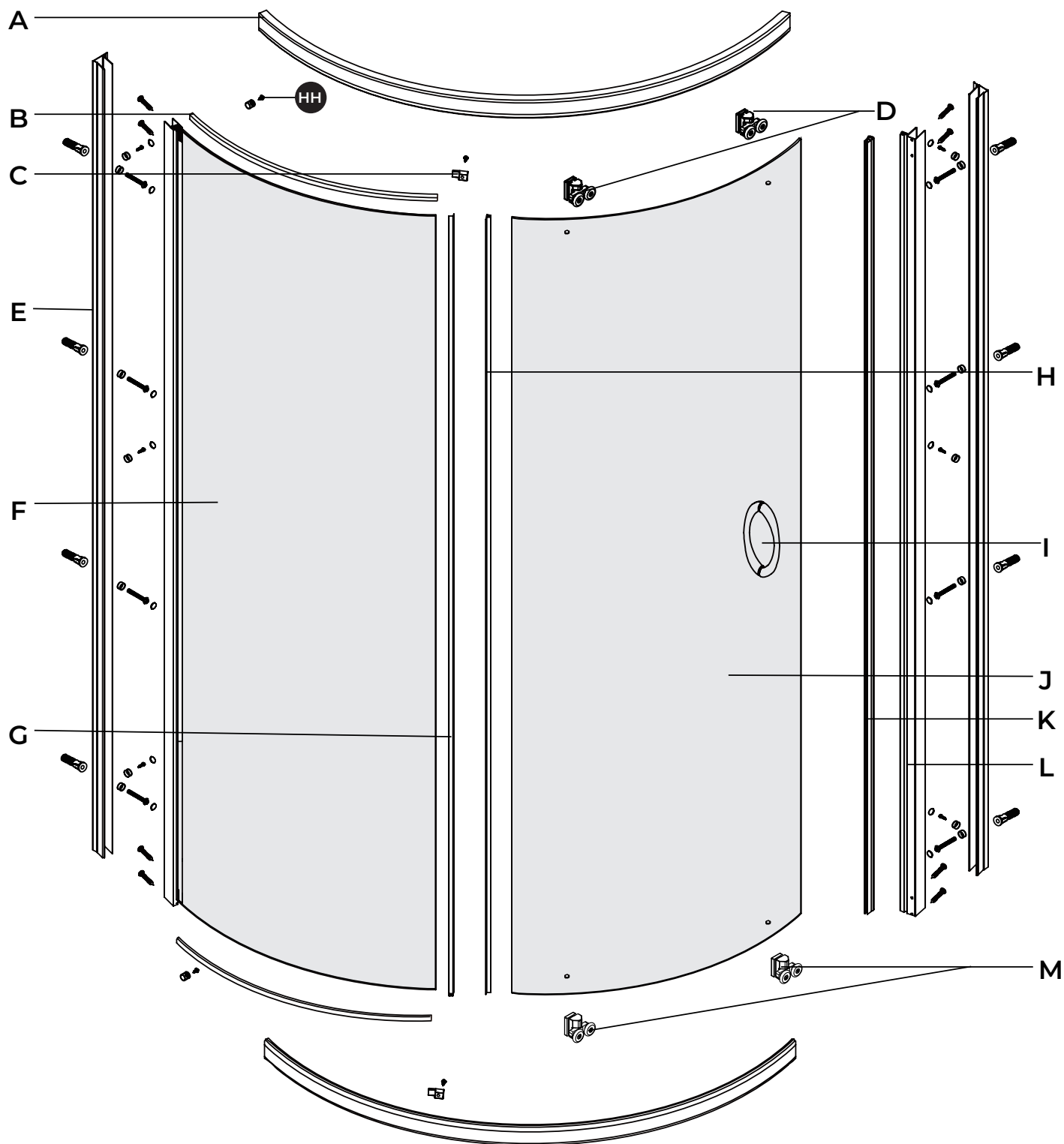


OVERALL SHOWER DIMENSION



SHOWER DOOR OPENING DIMENSION

SHOWER DOOR PARTS CONTENTS



SHOWER DOOR PARTS CONTENTS



Tick the appropriate boxes to familiarize yourself with the part names and to confirm that the parts are included

A 2 X Frame track (top and bottom)

B 2 X Fixed panel seal strip (top and bottom)

C 2 X Fixed panel clamp

D 2 X Top wheels and holder

E 2 X Wall track

F 1 X Fixed panel

G 1 X Fixed panel seal strip

H 1 X Door panel seal strip

I 1 X Door handle

J 1 X Door panel

K 1 X Door magnetic seal strip

L 1 X Magnetic door track

M 2 X Bottom wheels and holder

SUPPLIED HARDWARE LIST

| AA | BB | CC | DD | EE | FF | GG | HH |
|---|--|-----------------------------|------------------------|------------------------|----------------------|---------------|-----------------------------|
| | | | | | | | |
| Screw Robertson #1 ST4x45 12+2 | Screw Robertson #1 ST3.5x25 8+2 | Wall Anchor ø6x30 8+1 | Screw ST4x14 2+1 | Screw ST4x13 6+1 | Screw cap 14+1 | Washer x14 | Spare screw ST4x12 +1 |

SHOWER DOOR PARTS LIST

| PART # | DESCRIPTION | QUANTITY | CODE |
|--------|--|----------|--|
| A | Frame track (top and bottom) | 2 | 33" Chrome: 99STR1033 |
| | | | 35" Chrome: 99STR1034 |
| | | | 40" Chrome: 99STR1035 |
| | | | 44" Chrome: 99STR1036 |
| | | | 33" Satin Nickel: 99STR3766-AC |
| | | | 35" Satin Nickel: 99STR3767-AC |
| | | | 40" Satin Nickel: 99STR3768-AC |
| | | | 44" Satin Nickel: 99STR3769-AC |
| | | | 33" Matte Black: 99STR3770-AC |
| | | | 35" Matte Black: 99STR3771-AC |
| | | | 40" Matte Black: 99STR3772-AC |
| | | | 44" Matte Black: 99STR3773-AC |
| B | Fixed panel seal strip (top and bottom) | 2 | 33" Chrome and Satin Nickel: 99SRU3633-AC |
| | | | 35" Chrome and Satin Nickel: 99SRU3634-AC |
| | | | 40" Chrome and Satin Nickel: 99SRU3635-AC |
| | | | 44" Chrome and Satin Nickel : 99SRU3636-AC |
| | | | 33" Matte Black: 99SRU3703-AC |
| | | | 35" Matte Black: 99SRU3704-AC |
| | | | 40" Matte Black: 99SRU3705-AC |
| | | | 44" Matte Black: 99SRU3706-AC |
| C | Fixed panel clamp | 2 | Chrome: 99SGC1030 |
| | | | Satin Nickel: 99SGC4053-AC |
| | | | Matte Black: 99SGC4054-AC |
| D | Top wheels | 2 | Chrome: 99SWE-15WF5HSU-AC |
| | | | Satin Nickel: 99SWE-C47ZE471-AC |
| | | | Matte Black: 99SWE-2X95EOF7-AC |
| E | Wall track | 2 | 33" Chrome: 99STR3835-AC |
| | | | 33" Satin Nickel: 99STR3837-AC |
| | | | 33" Matte Black: 99STR3836-AC |
| | | | 35" Chrome: 99STR3838-AC |
| | | | 35" Satin Nickel: 99STR3840-AC |
| | | | 35" Matte Black: 99STR3839-AC |
| | | | 40" Chrome: 99STR3841-AC |
| | | | 40" Satin Nickel: 99STR3843-AC |
| | | | 40" Matte Black: 99STR3842-AC |
| | | | 44" Chrome: 99STR1043-AC |
| | | | 44" Satin Nickel: 99STR3774-AC |
| | | | 44" Matte Black: 99STR3775-AC |

SHOWER DOOR PARTS LIST

| PART # | DESCRIPTION | QUANTITY | CODE | |
|------------------------------|------------------------|----------|------------------------------------|-------------------------------|
| F | Fixed panel | 1 | Transparent glass | 33" Chrome: 99SG10018-AC |
| | | | | 35" Chrome: 99SG10327-AC |
| | | | | 40" Chrome: 99SG10328-AC |
| | | | | 44" Chrome: 99SG10329-AC |
| | | | | 33" Satin Nickel: 99SG3754-AC |
| | | | | 35" Satin Nickel: 99SG3755-AC |
| | | | | 40" Satin Nickel: 99sG3756-AC |
| | | | | 44" Satin Nickel: 99SG3757-AC |
| | | | | 33" Matte Black: 99SG3758-AC |
| | | | | 35" Matte Black: 99SG3759-AC |
| | | | 40" Matte Black: 99SG3760-AC | |
| | | | 44" Matte Black: 99SG3761-AC | |
| | | | Rough messy frosted glass | 33" Chrome: 99SGP-7S5N5VN8-AC |
| | | | | 35" Chrome: 99SGP-739GKCQU-AC |
| | | | | 40" Chrome: 99SGP-7Q9K943L-AC |
| | | | | 44" Chrome: 99SGP-59G50X35-AC |
| | | | | 33" Satin Nickel: 99SG3762-AC |
| | | | | 35" Satin Nickel: 99SG3763-AC |
| | | | | 40" Satin Nickel: 99SG3764-AC |
| | | | | 33" Matte Black: 99SG3766-AC |
| 35" Matte Black: 99SG3767-AC | | | | |
| 40" Matte Black: 99SG3768-AC | | | | |
| G | Fixed panel seal strip | 1 | Chrome and Satin Nickel: 99SRU0057 | |
| | | | Matte Black: 99SRU3707-AC | |
| H | Door panel seal strip | 1 | Chrome and Satin Nickel: 99SRU0058 | |
| | | | Matte Black: 99SRU3708-AC | |
| I | Door handle | 1 | Chrome: 99SHA1022 | |
| | | | Satin Nickel: 99SHA3639-AC | |
| | | | Matte Black: 99SHA3640-AC | |

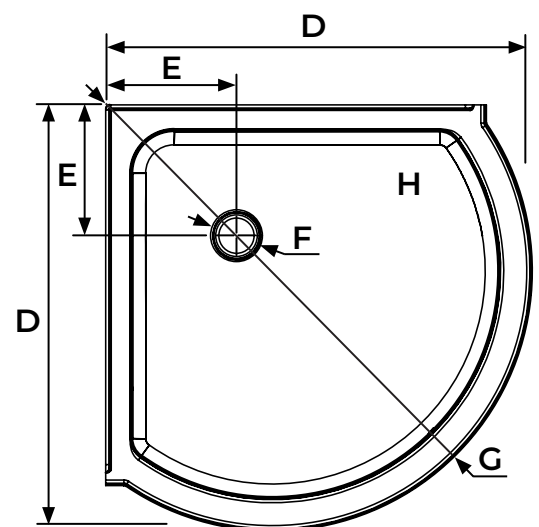
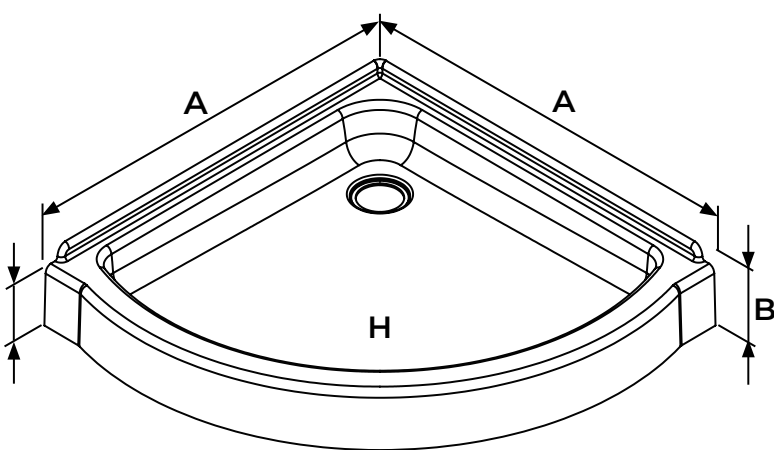
SHOWER DOOR PARTS LIST

| PART # | DESCRIPTION | QUANTITY | CODE | |
|--------|--------------------------|----------|------------------------------------|--------------------|
| J | Door panel | 1 | Transparent glass | 33" : 99SGD0021-AC |
| | | | | 35" : 99SGD0041-AC |
| | | | | 40" : 99SGD0040-AC |
| | | | | 44" : 99SGD0042-AC |
| | | | Rough messy frosted glass | 33" : 99SGD3661-AC |
| | | | | 35" : 99SGD3662-AC |
| | | | | 40" : 99SGD3663-AC |
| | | | | 44" : 99SGD3664-AC |
| | | | Small squares frosted glass | 33" : 99SGD4958-AC |
| | | | | 35" : 99SGD4959-AC |
| | | | | 35" : 99SGD4960-AC |
| | | | | 40" : 99SGD4961-AC |
| K | Door magnetic seal strip | 1 | Chrome and Satin Nickel: 99SRU0059 | |
| | | | Matte Black: 99SRU3709-AC | |
| L | Magnetic door track | 1 | Chrome: 99STR1037 | |
| | | | Satin Nickel: 99STR3776-AC | |
| | | | Matte Black: 99STR3777-AC | |
| M | Bottom wheels and holder | 2 | Chrome: 99SWE0068-AC | |
| | | | Satin Nickel: 99SWE3646-AC | |
| | | | Matte Black: 99SWE3647-AC | |
| *** | Complete hardware kit | N/A | Chrome: 99SHW0040-AC | |
| | | | Satin Nickel: 99SHW6076-AC | |
| | | | Matte Black: 99SHW6077-AC | |

SHOWER BASE DIMENSIONS

| | Measurements | 33" | 35" | 40" | 44" |
|---|--------------------------------------|---|--|--|---|
| A | Edge width | 31 7/8" 810mm | 33 7/8" 860mm | 35 15/16" 913mm | 37 13/16" 960mm |
| B | Shower base height (With flange) | 5 1/8" 130mm | 5 1/8" 130mm | 5 1/8" 130mm | 5 1/8" 130mm |
| C | Threshold height (Without flange) | 4 1/8" 105mm | 4 1/8" 105mm | 4 1/8" 105mm | 4 1/8" 105mm |
| D | Overall shower base width | 32 11/16" 830mm | 34 15/16" 887mm | 40 1/16" 1018mm | 44 5/16" 1125mm |
| E | Drain distance from corner | 7 7/16" 189mm | 7 1/4" 184mm | 12 3/8" 314mm | 11 5/8" 296mm |
| F | Drain opening diameter | 3 3/8" 85mm | 3 3/8" 85mm | 3 3/8" 85mm | 3 3/8" 85mm |
| G | Base edge length (maximum) | 36 1/8" 918mm | 39 1/4" 996mm | 46 7/8" 1187mm | 51 7/8" 1318mm |
| H | Finished surface area | 911 in ² 0.588 m ² | 1051 in ² 0.678 m ² | 1407 in ² 0.908 m ² | 1708 in ² 1.102m ² |

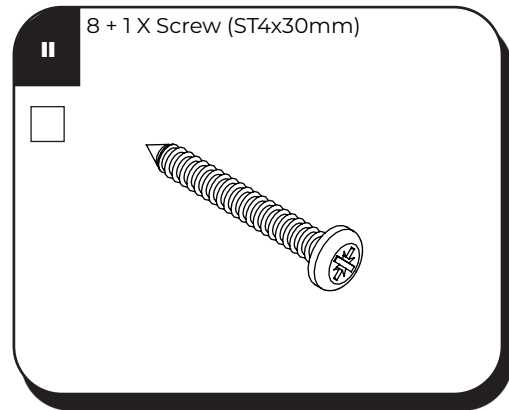
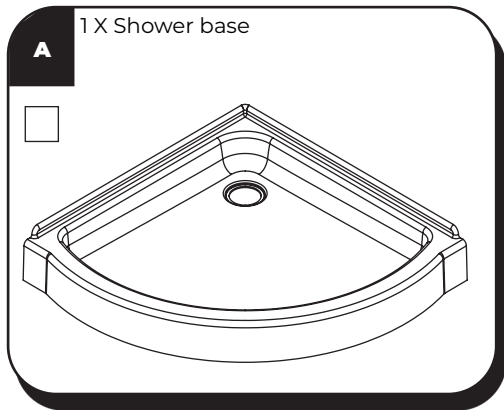
MEASURES: Inch (mm)



SHOWER BASE PARTS LIST



Tick the appropriate boxes to familiarize yourself with the part names and to confirm that the parts are included

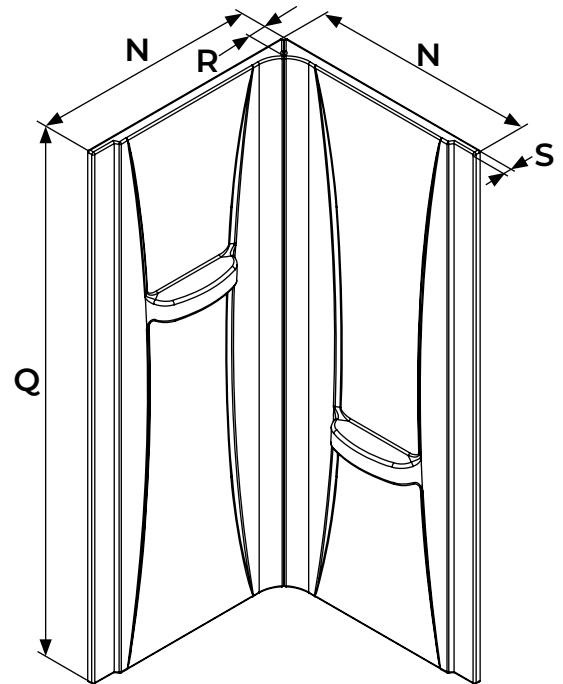


| PART # | DESCRIPTION | QUANTITY | CODE |
|--------|------------------|----------|------|
| A | Shower base | 1 | -- |
| | | | -- |
| | | | -- |
| | | | -- |
| II | Screw (ST4x30mm) | 8+1 | -- |

SHOWER WALL DIMENSIONS

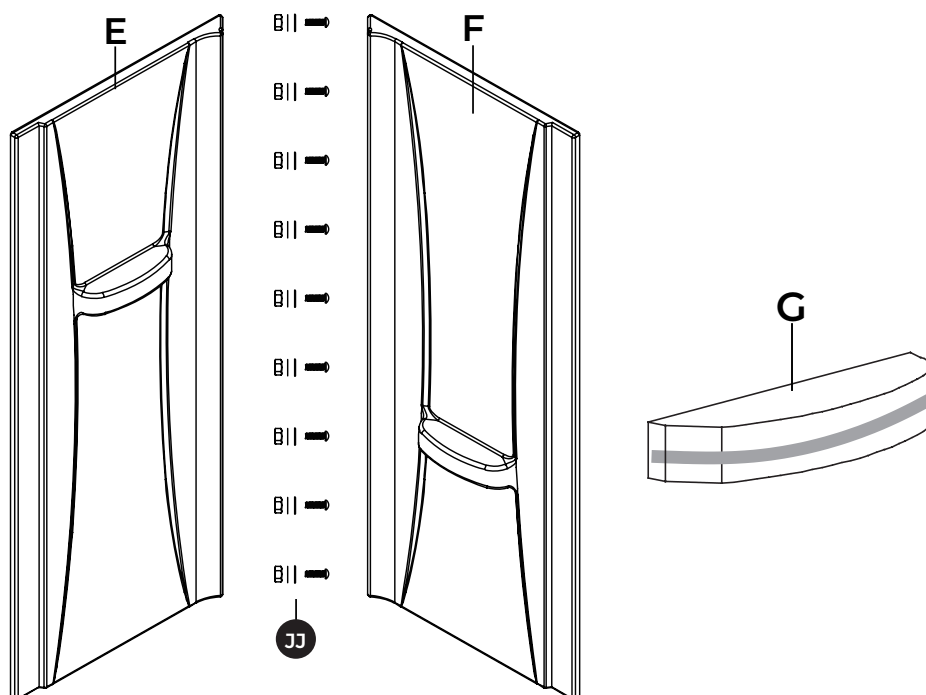
IF PURCHASED AS A KIT

| | Measurements | 33" | 35" | 40" | 44" |
|---|------------------------|-------------------|-------------------|--------------------|--------------------|
| N | Wall width | 30 3/4" 781mm | 32 7/8" 835mm | 34 13/16" 884mm | 36 13/16" 935mm |
| Q | Wall height | 73 3/8" 1863mm | 73 3/8" 1863mm | 73 3/8" 1863mm | 73 3/8" 1863mm |
| R | Overall wall thickness | 2 13/16" 71mm | 2 13/16" 71mm | 2 13/16" 71mm | 2 13/16" 71mm |
| S | Wall thickness | 15/16" 23mm | 15/16" 23mm | 15/16" 23mm | 15/16" 23mm |



SHOWER WALL PARTS CONTENTS

IF PURCHASED AS A KIT

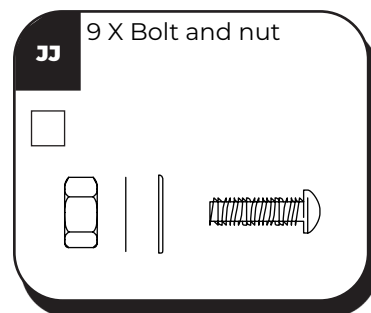
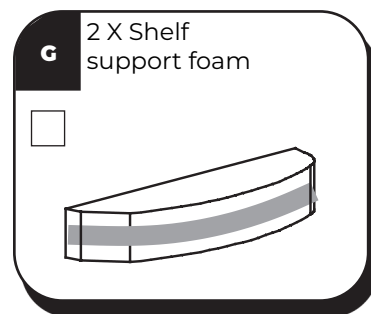
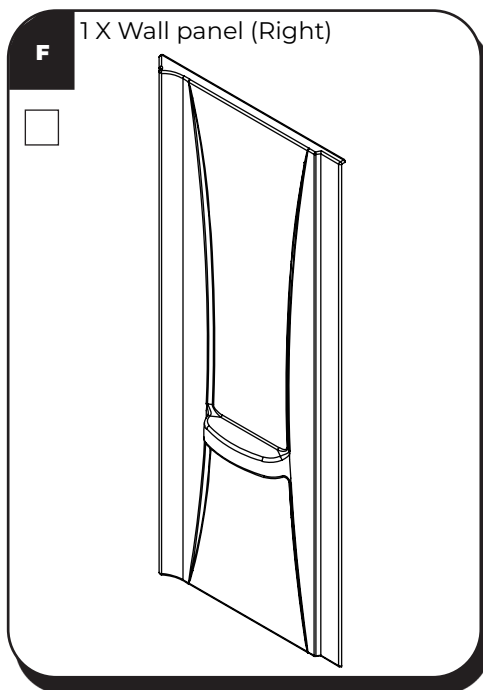
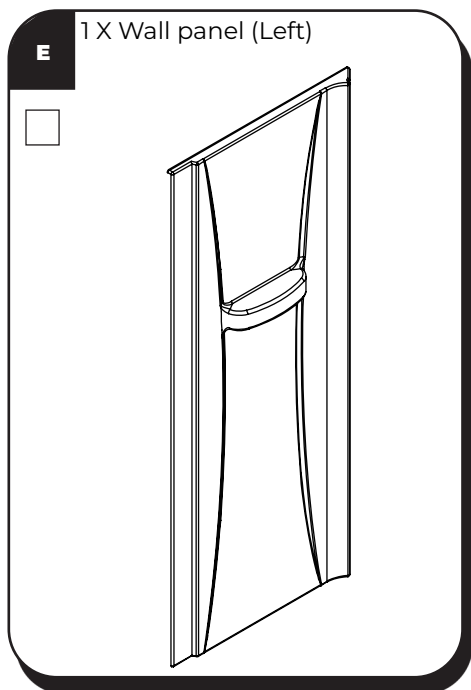


SHOWER WALL PARTS CONTENTS

IF PURCHASED AS A KIT



Tick the appropriate boxes to familiarize yourself with the part names and to confirm that the parts are included



SHOWER WALL PARTS LIST

IF PURCHASED AS A KIT

| PART # | DESCRIPTION | QUANTITY | CODE |
|--------|--------------------|----------|--------------------|
| E | Wall panel (left) | 1 | 33" : 99SAP0044-AC |
| | | | 35" : 99SAP0046-AC |
| | | | 40" : 99SAP0048-AC |
| | | | 44" : 99SAP0050-AC |
| F | Wall panel (right) | 1 | 33" : 99SAP0045-AC |
| | | | 35" : 99SAP0047-AC |
| | | | 40" : 99SAP0049-AC |
| | | | 44" : 99SAP0051-AC |
| G | Shelf support foam | 2 | -- |
| JJ | Bolt and nut | 9 | 99SHW0353-AC |

BASE

INSTALLATION INFORMATION

A

B

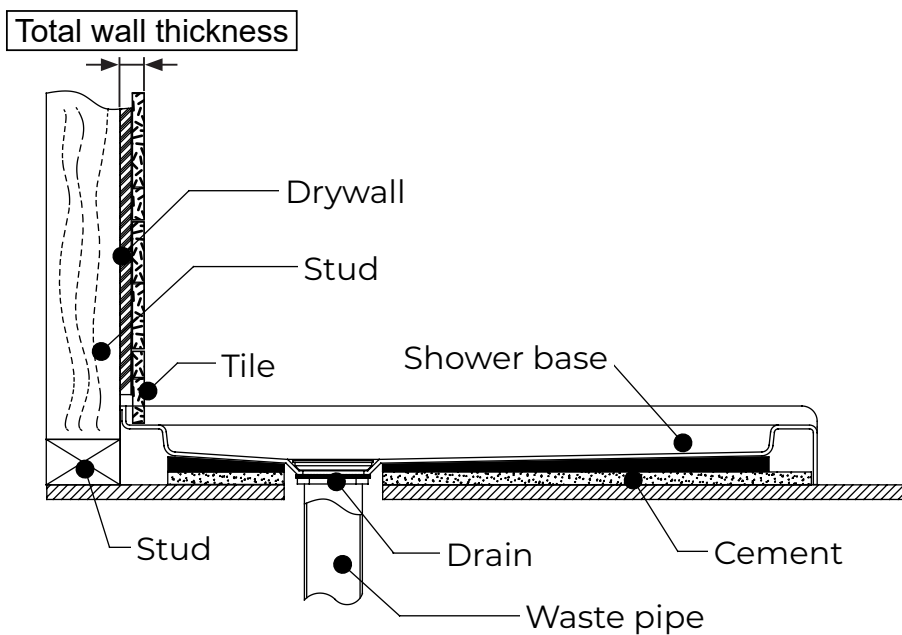
SHOWER BASE INSTALLATION OVERVIEW

1. Before you start the installation of your product consult the illustration 1 below showing a side-view of the completed installation.
2. Illustration 2 shows the recommended wall structure and measurements for the product installation.

NOTE: Customer must follow and comply with the local and national building and plumbing codes.

All illustrations in this manual are for reference only and do not take precedent on any code or regulation. It's recommended that this product be installed by a professional.

SHOWER KIT OPTION A : SHOWER BASE WITHOUT OVE ACRYLIC WALLS



Warning!!!
The total wall thickness should be within the range as per the table below for a proper installation.

| | MIN | MAX |
|-----|-----------------|-----------------|
| 33" | 1 1/16" 18mm | 1 1/4" 32mm |
| 35" | 1 1/16" 18mm | 1 3/16" 30mm |
| 40" | 1 1/16" 18mm | 1 1/16" 27mm |
| 44" | 1 1/16" 18mm | 1 1/8" 29mm |

SHOWER KIT OPTION B: SHOWER BASE WITH OVE ACRYLIC WALLS

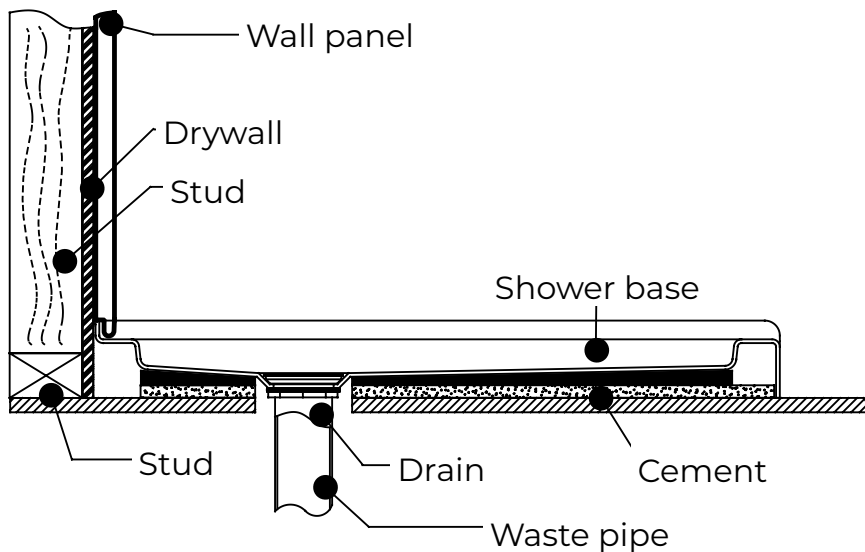
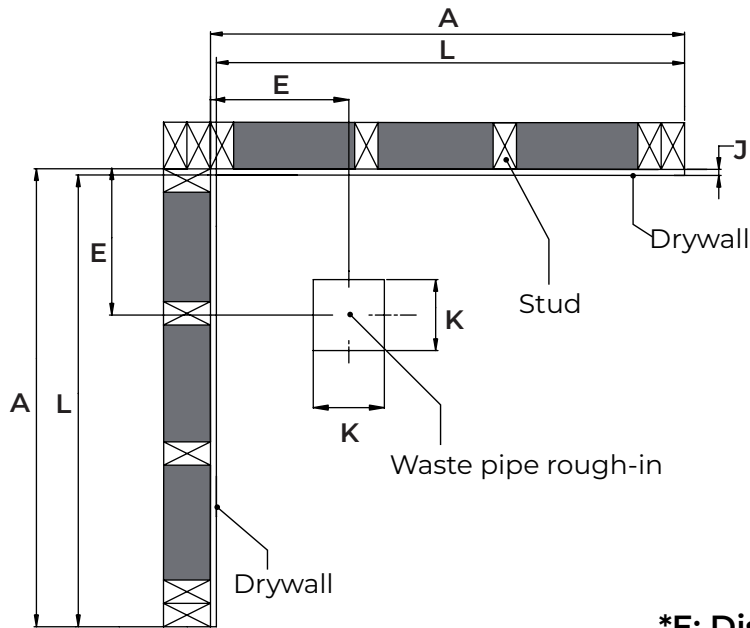


Illustration 1

SHOWER BASE INSTALLATION OVERVIEW

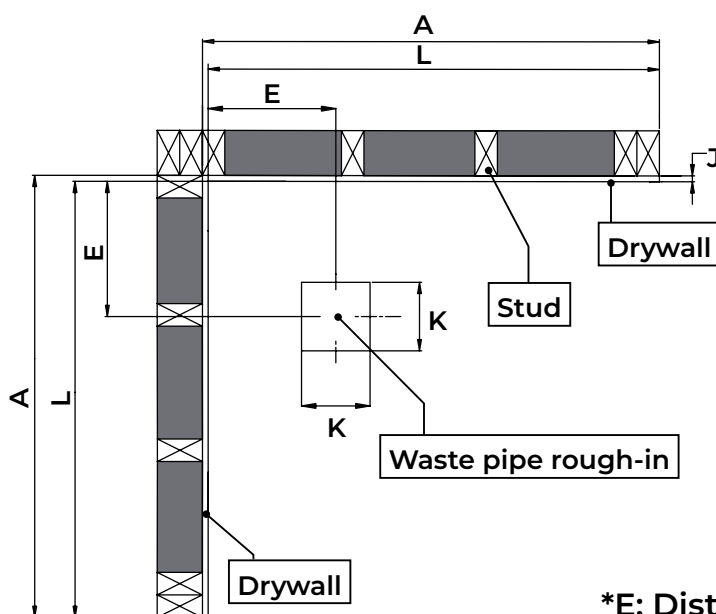
SHOWER KIT OPTION A : SHOWER BASE WITHOUT OVE ACRYLIC WALLS



| | 33" | 35" | 40" | 44" |
|-----|-------------------|-------------------|--------------------|--------------------|
| A | 31 7/8" 810mm | 33 7/8" 860mm | 35 15/16" 913mm | 37 13/16" 960mm |
| *E* | 7 7/16" 189mm | 7 1/4" 184mm | 12 3/8" 314mm | 11 5/8" 296mm |
| J | 1/2" 13mm | 1/2" 13mm | 1/2" 13mm | 1/2" 13mm |
| K | 6" 152mm | 6" 152mm | 6" 152mm | 6" 152mm |
| L | 31 9/16" 802mm | 33 9/16" 852mm | 35 1/2" 902mm | 37 1/2" 952mm |

*E: Distance between center of drain to stud.

SHOWER KIT OPTION B: SHOWER BASE WITH OVE ACRYLIC WALLS



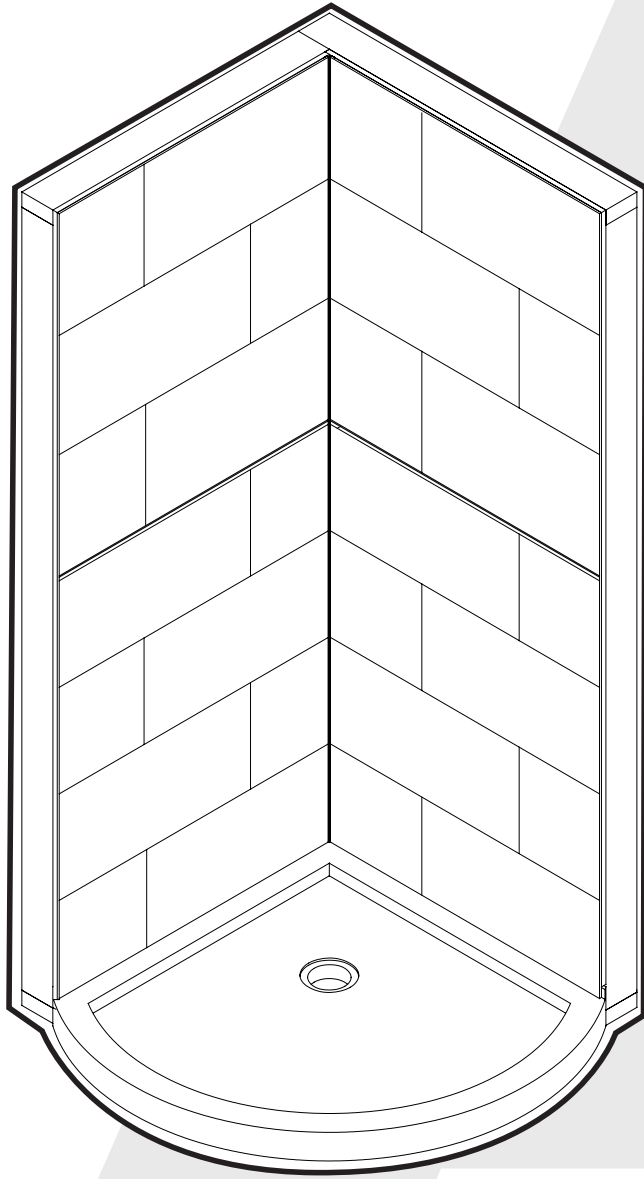
| | 33" | 35" | 40" | 44" |
|-----|-------------------|-------------------|--------------------|--------------------|
| A | 31 7/8" 810mm | 33 7/8" 860mm | 35 15/16" 913mm | 37 13/16" 960mm |
| *E* | 7 7/16" 189mm | 7 1/4" 184mm | 12 3/8" 314mm | 11 5/8" 296mm |
| J | 1/2" 13mm | 1/2" 13mm | 1/2" 13mm | 1/2" 13mm |
| K | 6" 152mm | 6" 152mm | 6" 152mm | 6" 152mm |
| L | 31 9/16" 815mm | 33 9/16" 865mm | 35 1/2" 915mm | 37 1/2" 965mm |

*E: Distance between center of drain to drywall.

Illustration 2

INSTALLATION

BASE



SHOWER BASE WITH
TILES OR COMPOSITE WALL PANELS (NOT SUPPLIED)

PREPARATIONS

STEP 1

NOT SUPPLIED

The studs, the drywall and the drywall screws are not supplied.

1.1

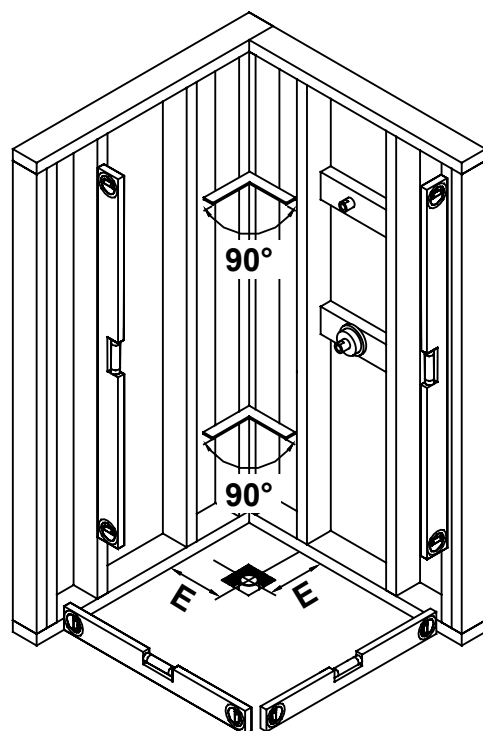
Ensure that the wall structure is leveled.

WARNING!! OUT OF PLUMB CONDITIONS!!!

This door is designed to accommodate walls that are less than 1/2" (13mm) out of plumb. Installing on a wall that is more than 1/2" (13mm) out of plumb may cause extra stress and improper function.

Consult local qualified plumber to fix the out of plumb beyond 1/2" (13mm), otherwise use the acrylic wall panels and follow option B for installation.

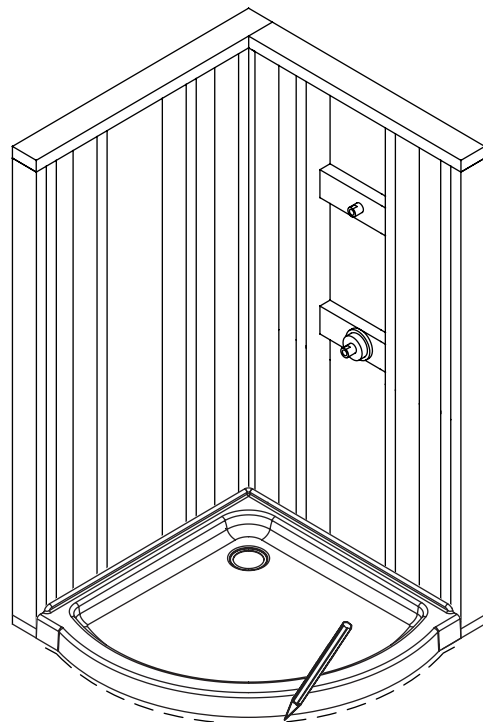
| | 33" | 35" | 40" | 44" |
|---|------------------|-----------------|------------------|------------------|
| E | 7 7/16" 189mm | 7 1/4" 184mm | 12 3/8" 314mm | 11 5/8" 296mm |



1.2

Place the shower base (A) on the floor and mark the outline using a pencil.

***This section is only for tile wall installation, for composite wall panel installation please refer to your composite wall panel instruction manual.**



SHOWER DRAIN GUIDELINES

STEP 2

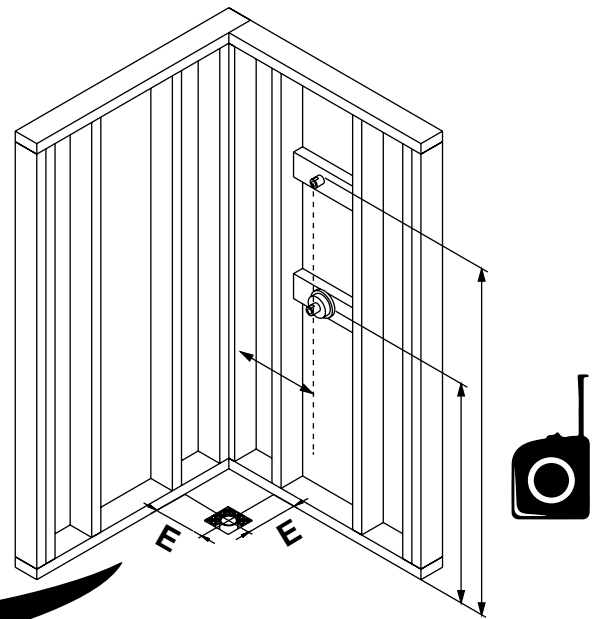
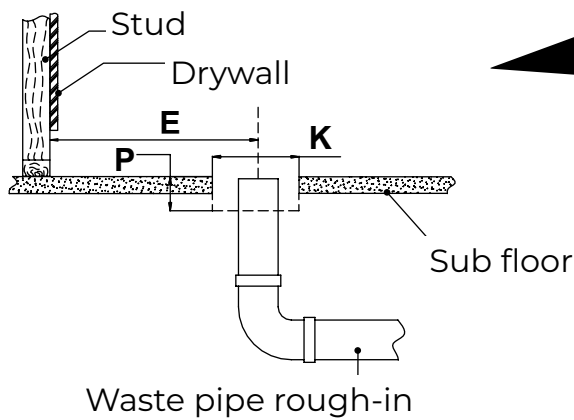
NOT SUPPLIED

The shower drain and the waste pipe are not supplied.

2.1

Ensure that the waste pipe plumbing is completed.

| | 33" | 35" | 40" | 44" |
|---|------------------|-----------------|------------------|------------------|
| E | 7 7/16" 189mm | 7 1/4" 184mm | 12 3/8" 314mm | 11 5/8" 296mm |
| K | 6" 152mm | 6" 152mm | 6" 152mm | 6" 152mm |
| P | 2 1/4" 57mm | 2 1/4" 57mm | 2 1/4" 57mm | 2 1/4" 57mm |

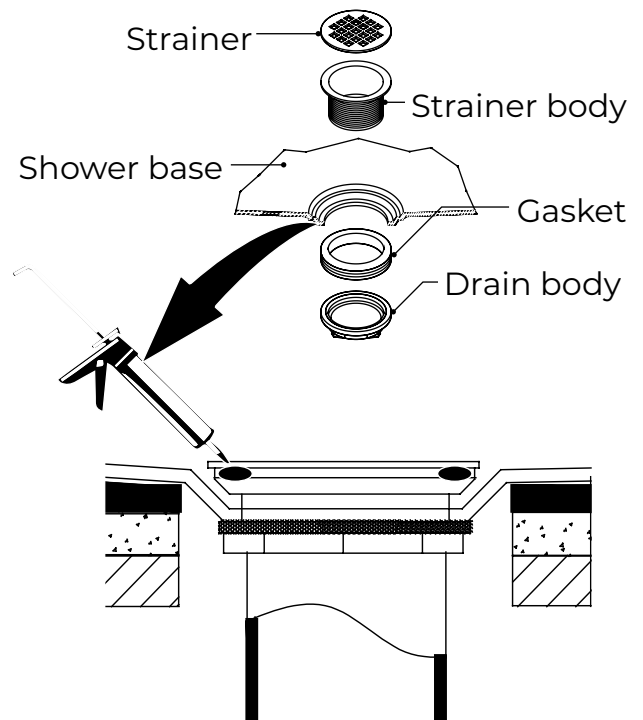


Warning!!!

Locate the positions of the shower head outlet and mixer valve to determine the required drilling points on the finished wall.

2.2

The shower drain is not supplied, these illustrations are for reference only. It is recommended that you review the drain installation from the manufacturer before continuing. Usually, the drain body must be sealed onto the waste pipe before continuing the base installation. Once the base installation is completed, the strainer body is screwed into the drain body. Apply silicone under the strainer body to reduce the risks of leakage.



A SUB-STRUCTURE

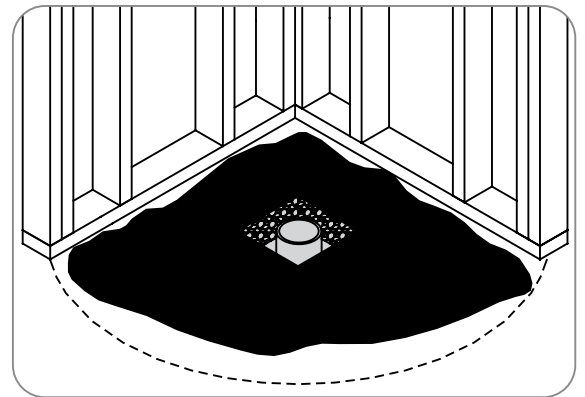
STEP 3

NOT SUPPLIED

The cement and the polyethylene sheet are not supplied.

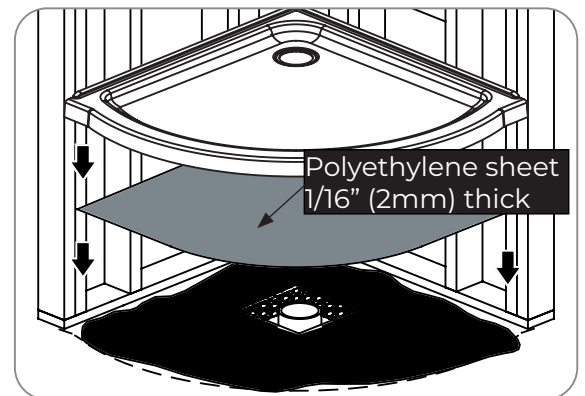
3.1

Apply cement (1 in to 1 1/2 in [2.5 to 3.8cm] thick) within the traced contour of the shower base. This will help level the base in subsequent steps. The thickness of the cement layer varies depending on your floor.



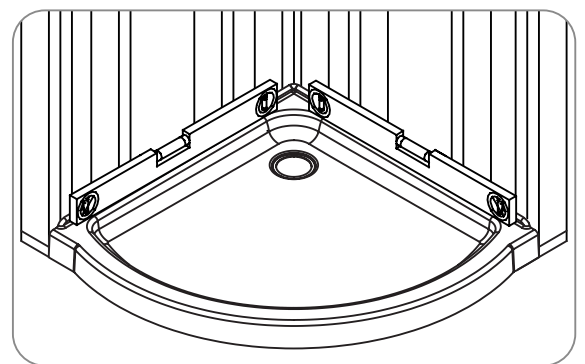
3.2

Before setting the shower base onto the cement, it is recommended to cover the cement with a thin (2mm [1/16 in]) sheet of polyethylene. This will prevent the base from being permanently stuck to the cement, and allow for future adjustments if necessary.



3.3

Level the shower base.



FAQ

Q: What thickness of cement must I apply?
A: Between 1" and 1-1/2" (2.5 to 3.8 cm).

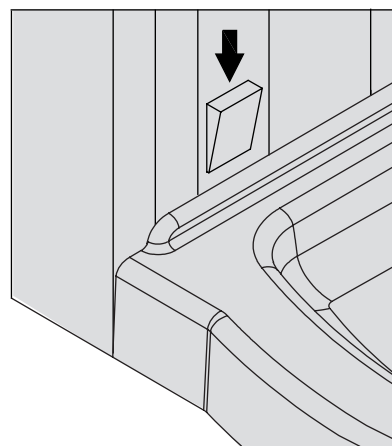
Q: Is the base installed on the studs or on the drywall?
A: On the studs.

AFFIX THE SHOWER BASE

STEP 4

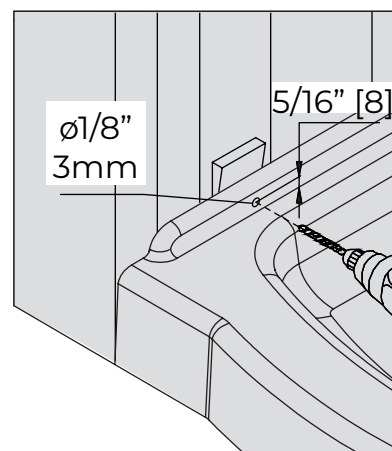
4.1

The shower base flange is slightly sloped by design. At the locations where you will screw the shower base to the studs, it is recommended that you use wood shims to fill the gap between the base flange and the studs.



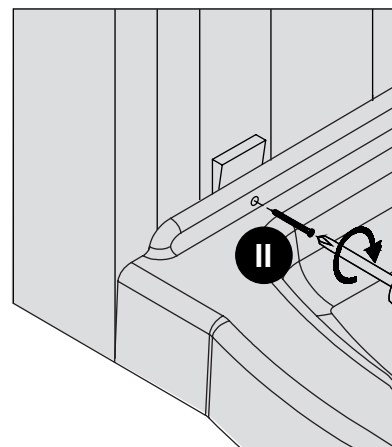
4.2

Drill guide holes.



4.3

Fix the shower base by screwing it to the studs. It is recommended that you screw 1 screw per stud, and aim for the center of the stud.



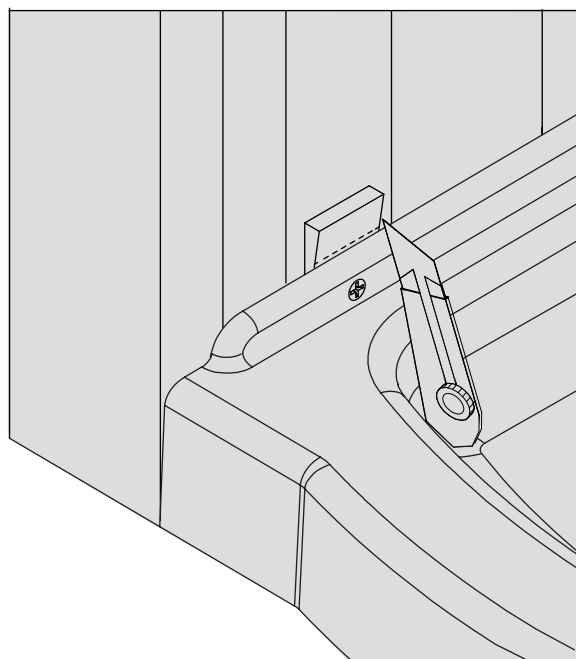
A CURE-CEMENT

STEP

05

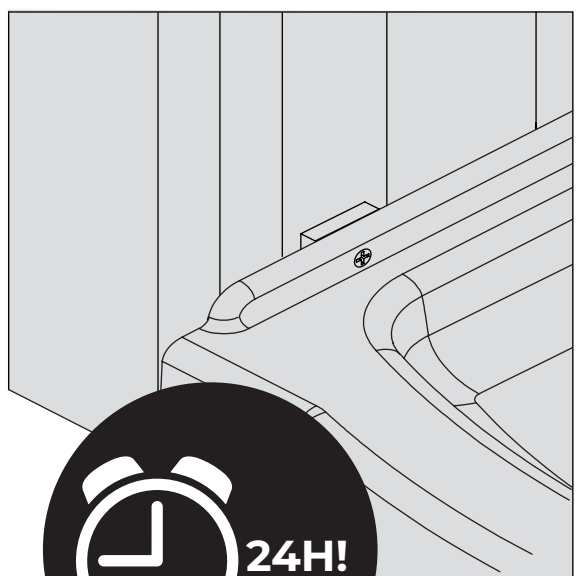
5.1

Cut the protruding part of the wood shims.



5.2

Let the cement cure for 24 hours before continuing.



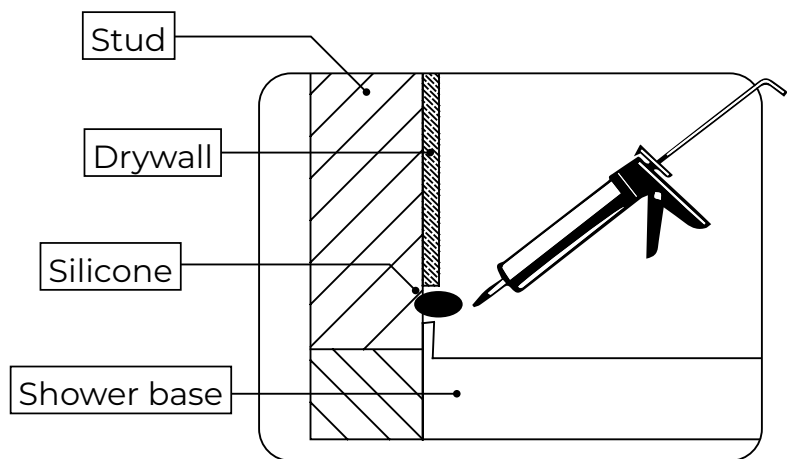
DRYWALL & TILE GUIDELINES

STEP

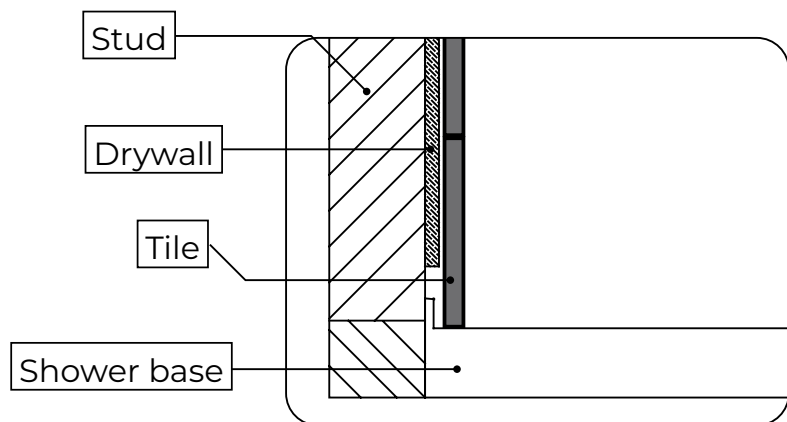
06

FOLLOW BELOW GUIDELINES TO
INSTALL YOUR DRYWALL OR TILE

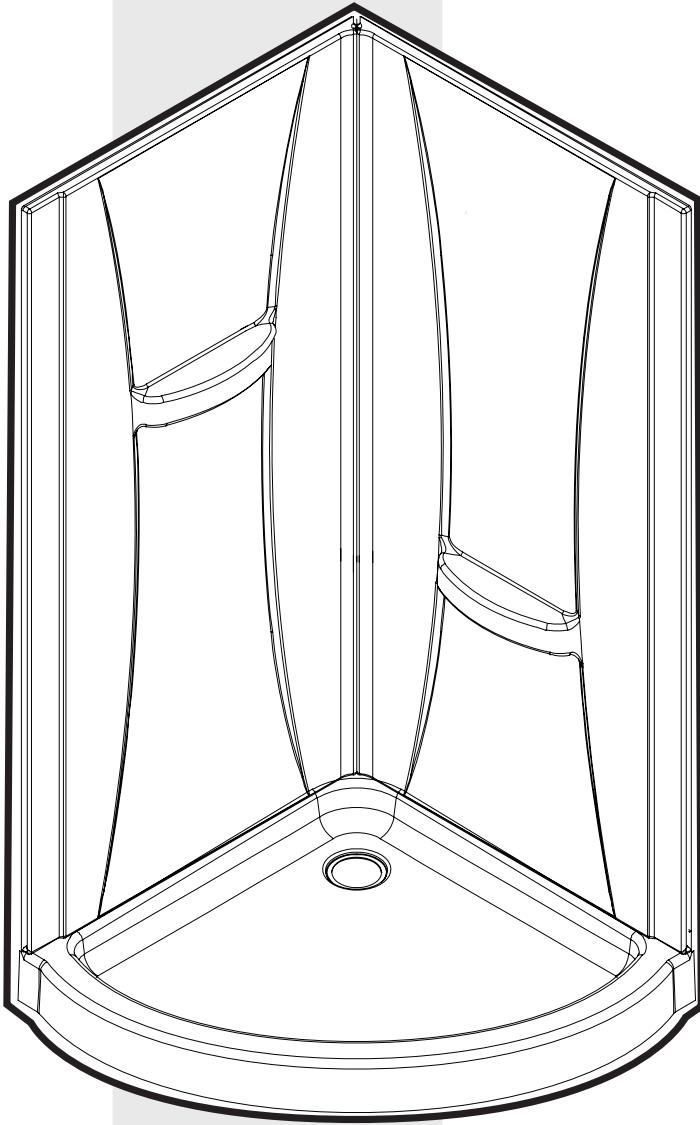
Install your drywall



Install your tiles



INSTALLATION



SHOWER BASE WITH OVE WALL PANELS

BASE & WALL PANEL

SHOWER DRAIN GUIDELINES

STEP 1

INSTALL YOUR DRYWALL BEFORE START BELOW STEPS. ENSURE YOUR DRYWALL ARE LEVELED.

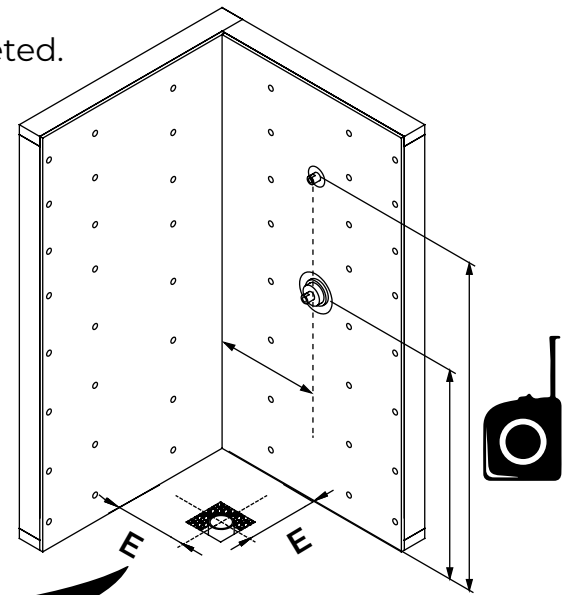
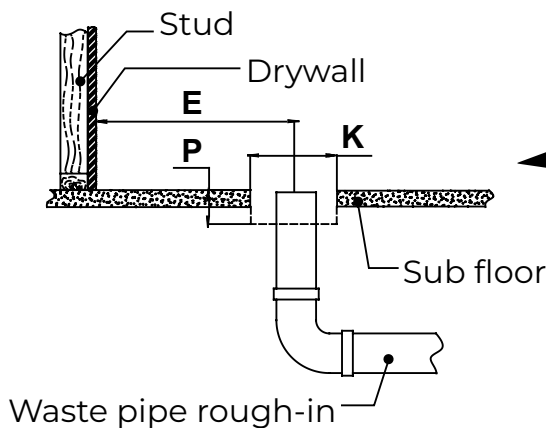
NOT SUPPLIED

The shower drain and the waste pipe are not supplied.

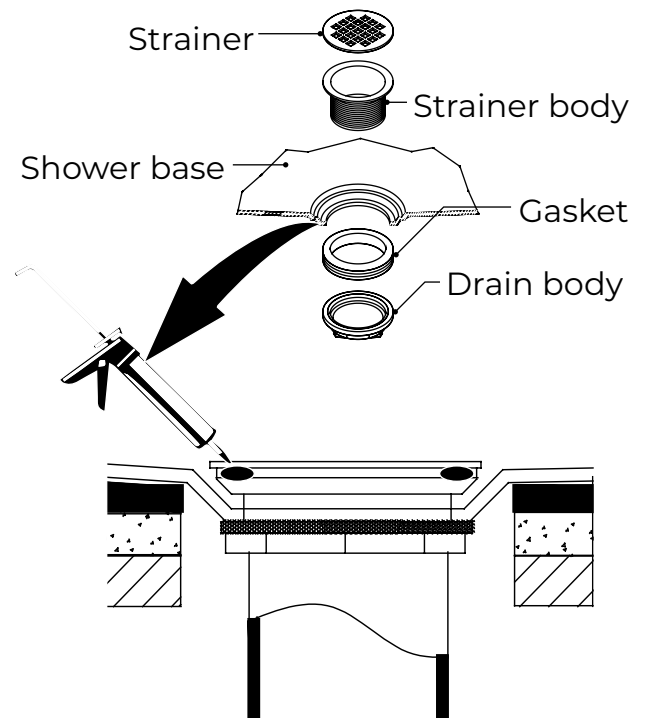
1.1

Ensure that the waste pipe plumbing is completed.

| | 33" | 35" | 40" | 44" |
|---|------------------|-----------------|------------------|------------------|
| E | 7 7/16" 189mm | 7 1/4" 184mm | 12 3/8" 314mm | 11 5/8" 296mm |
| K | 6" 152mm | 6" 152mm | 6" 152mm | 6" 152mm |
| P | 2 1/4" 57mm | 2 1/4" 57mm | 2 1/4" 57mm | 2 1/4" 57mm |



Warning!!!
Locate the positions of the shower head outlet and mixer valve to determine the required drilling points on the shower wall.



1.2

The shower drain is not supplied, these illustrations are for reference only. It is recommended that you review the drain installation from the manufacturer before continuing. Usually, the drain body must be sealed onto the waste pipe before continuing the base installation. Once the base installation is completed, the strainer body is screwed into the drain body. Apply silicone under the strainer body to reduce the risks of leakage.

B SUB-STRUCTURE STEP

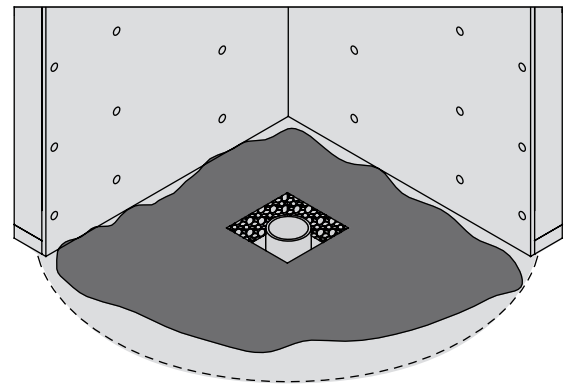
C2

NOT SUPPLIED

The cement and the polyethylene sheet are not supplied.

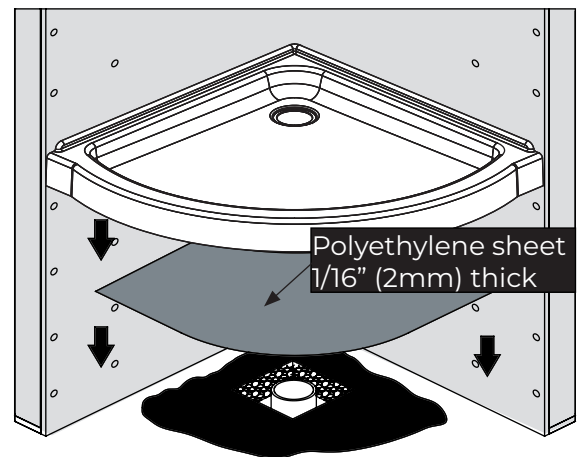
2.1

Apply cement (1 in to 1 1/2 in [2.5 to 3.8cm] thick) within the traced contour of the shower base. This will help level the base in subsequent steps. The thickness of the cement layer varies depending on your floor.



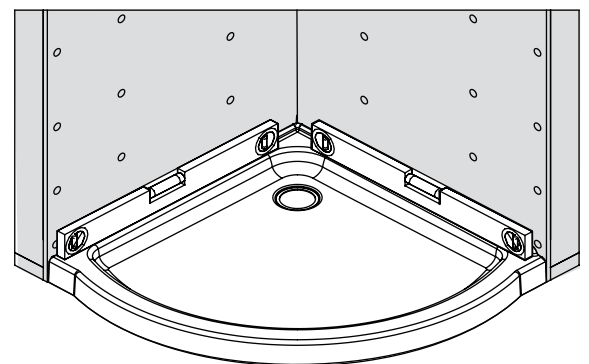
2.2

Before setting the shower base onto the cement, it is recommended to cover the cement with a thin (2mm [1/16 in]) sheet of polyethylene. This will prevent the base from being permanently stuck to the cement, and allow for future adjustments if necessary.



2.3

Level the shower base.



FAQ

Q: What thickness of cement must I apply?
A: Between 1" and 1-1/2" (2.5 to 3.8cm).

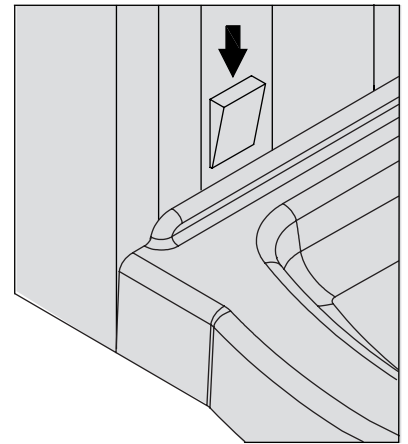
Q: Is the base installed on the studs or on the drywall?
A: On the drywall.

AFFIX THE SHOWER BASE

STEP 03

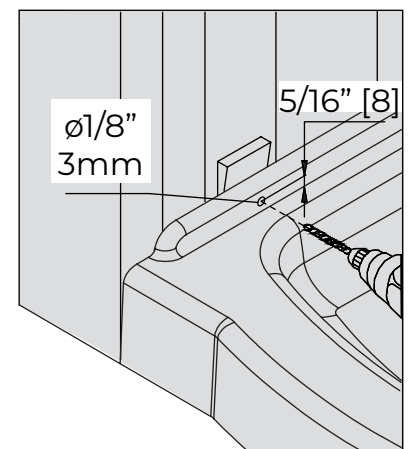
3.1

The shower base flange is slightly sloped by design. At the locations where you will screw the shower base to the studs, it is recommended that you use wood shims to fill the gap between the base flange and the studs.



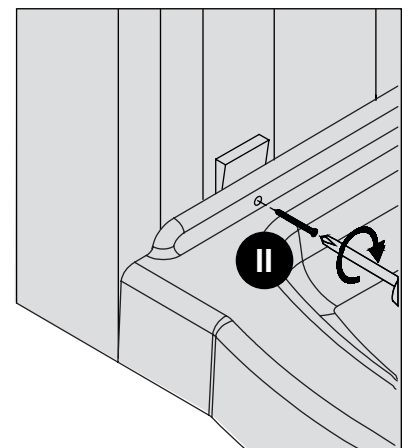
3.2

Drill guide holes.



3.3

Fix the shower base by screwing it to the studs. It is recommended that you screw 1 screw per stud, and aim for the center of the stud.



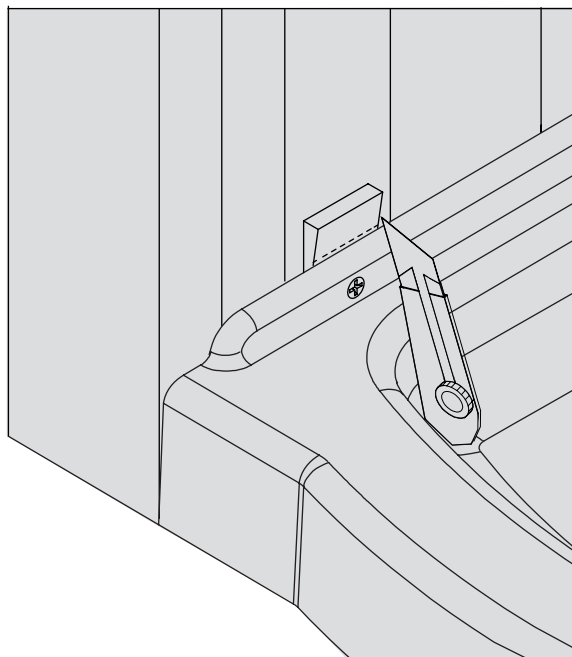
B CURE-CEMENT

STEP

4

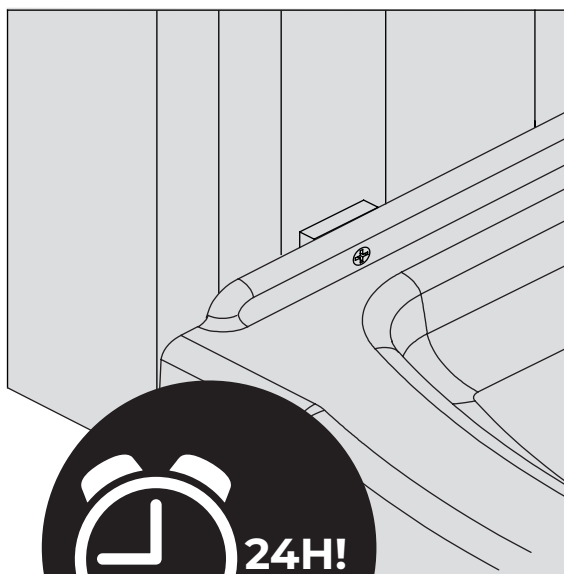
4.1

Cut the protruding part of the wood shims.



4.2

Let the cement cure for 24 hours before continuing.

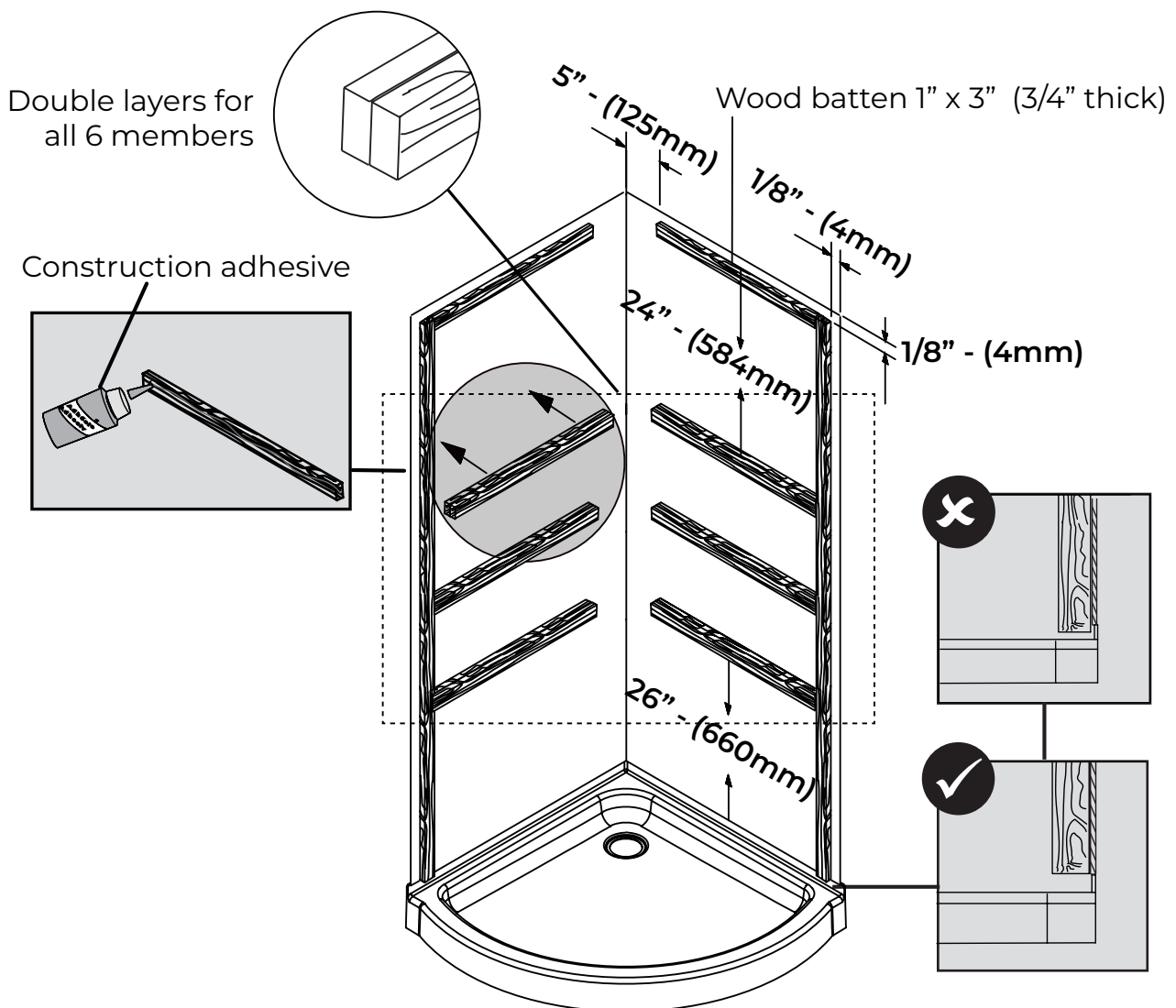


WOODEN BATTEN INSTALLATION

STEP 5

5.1 Prepare 1"x3" wood batten following the design based on the shower base size.

5.2 Install the wood batten as illustrated using construction adhesive; alternatively, using construction screws or nails to install the wood battens. Make sure the vertical piece is seating on top of the shower flange level.



TUB SURROUND ADHESIVE

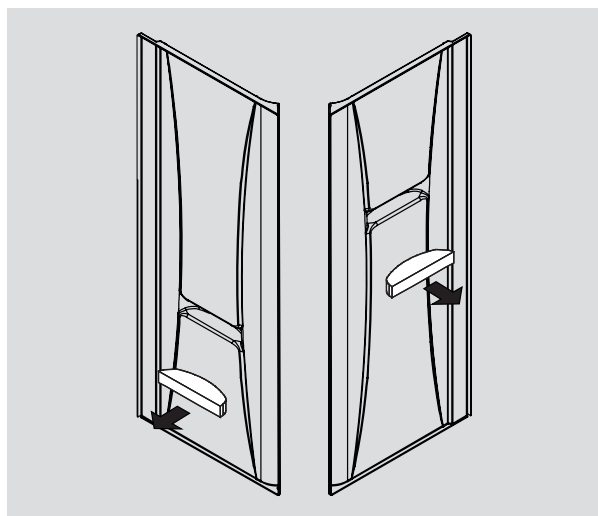
STEP 6



**CONSTRUCTION ADHESIVE MUST BE USED.
DO NOT USE SILICONE!
APPLY GENEROUSLY, COUPLE OF TUBES MAY BE NEEDED.**

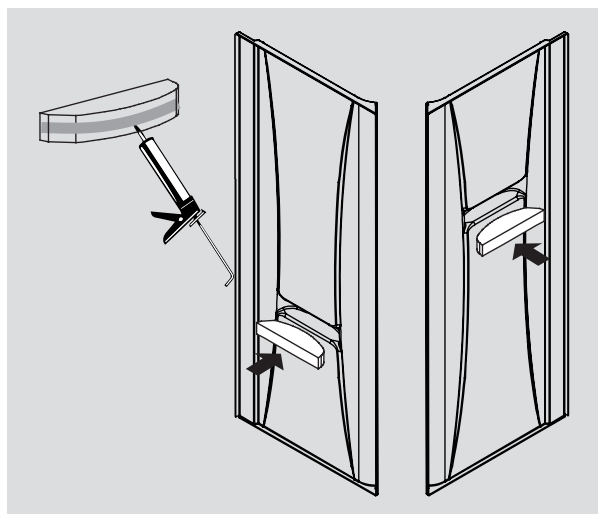
6.1

Remove the tape from the back of the wall panels (E, F), take out the 2 pieces of shelf support foam (G) from the wall panels (E, F).



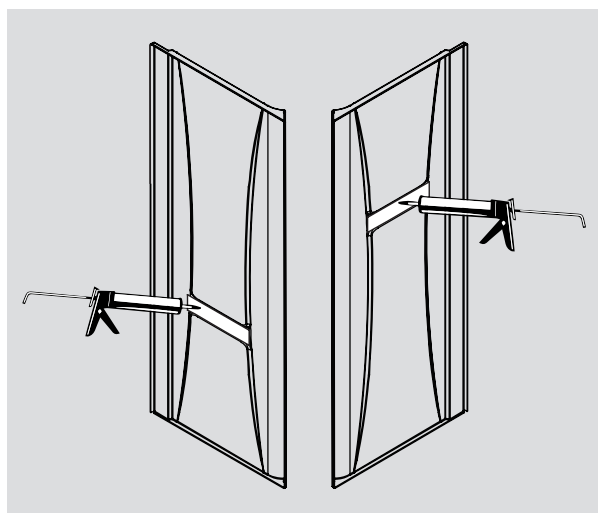
6.2

Apply tub surround adhesive at the rounded edge of each piece of shelf support foam (G), firmly push the shelf support foam (G) back into the wall panels until they are flush with the back of the wall panels.



6.3

Apply tub surround adhesive at the back of the shelf support foam (G).



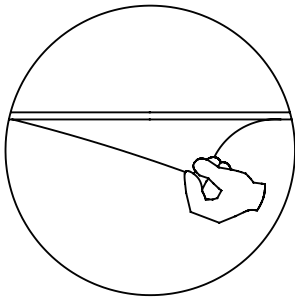
SILICONE BEAD

STEP 7

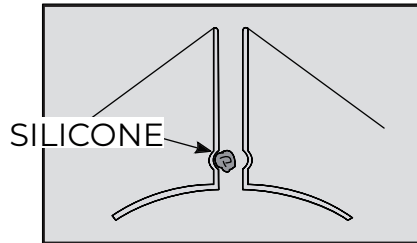
7.1

NOTE: Remove the protective film from wall panels before installation.

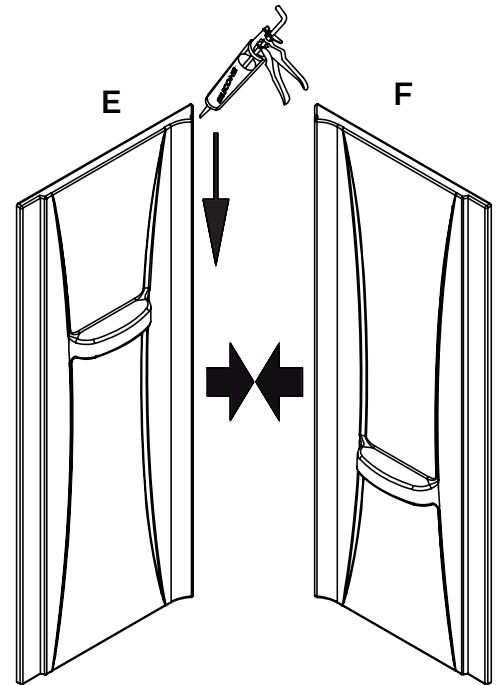
Apply a silicone bead along the groove of the left wall panel.



Top view



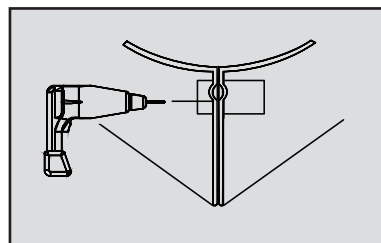
Front view



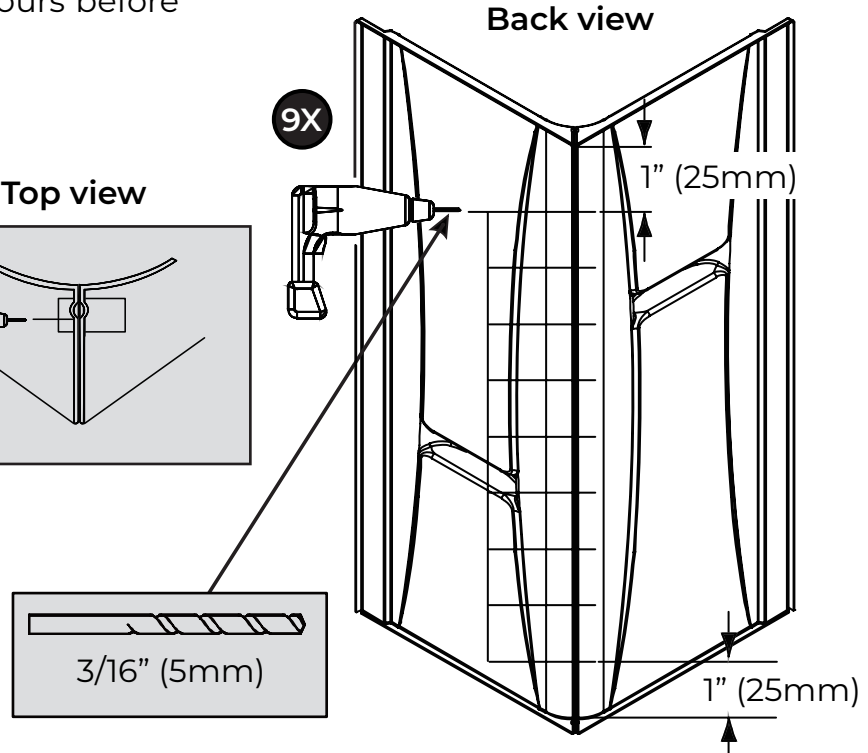
7.2

Let the adhesive cure for 24 hours before continuing.

Top view



Back view

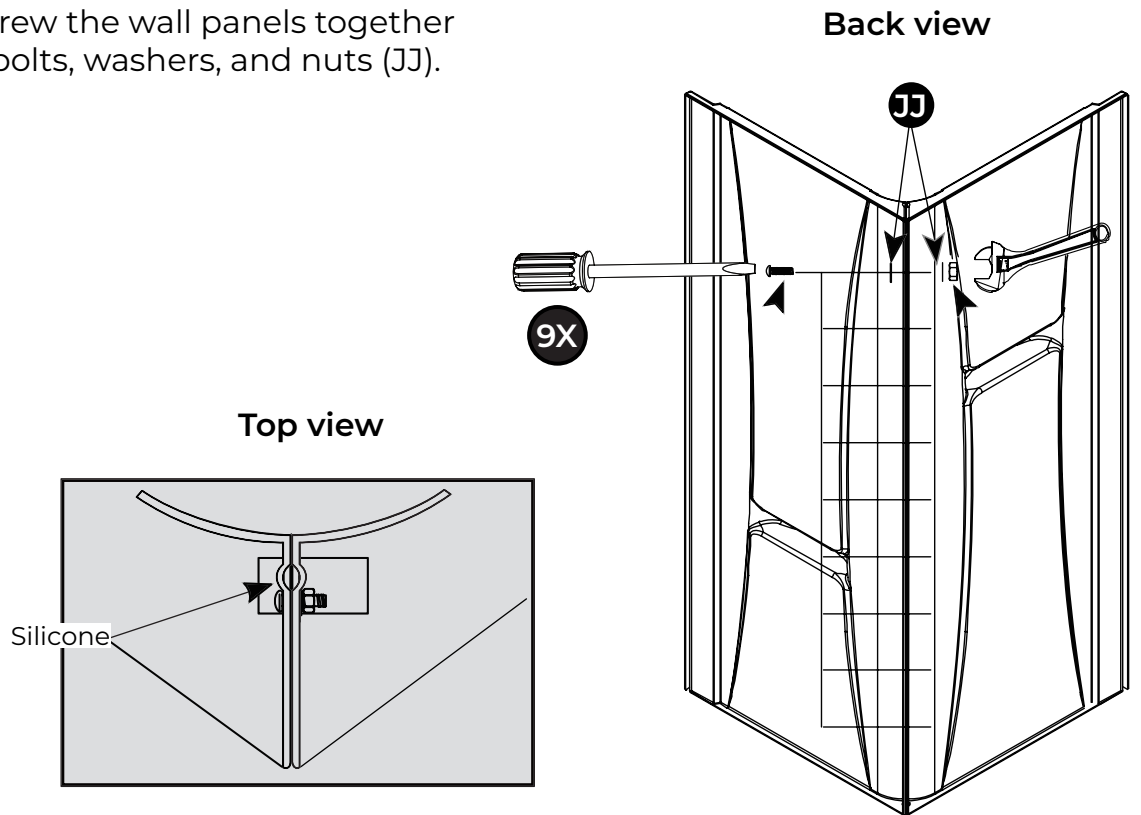


ACRYLIC WALL PANELS

STEP 8

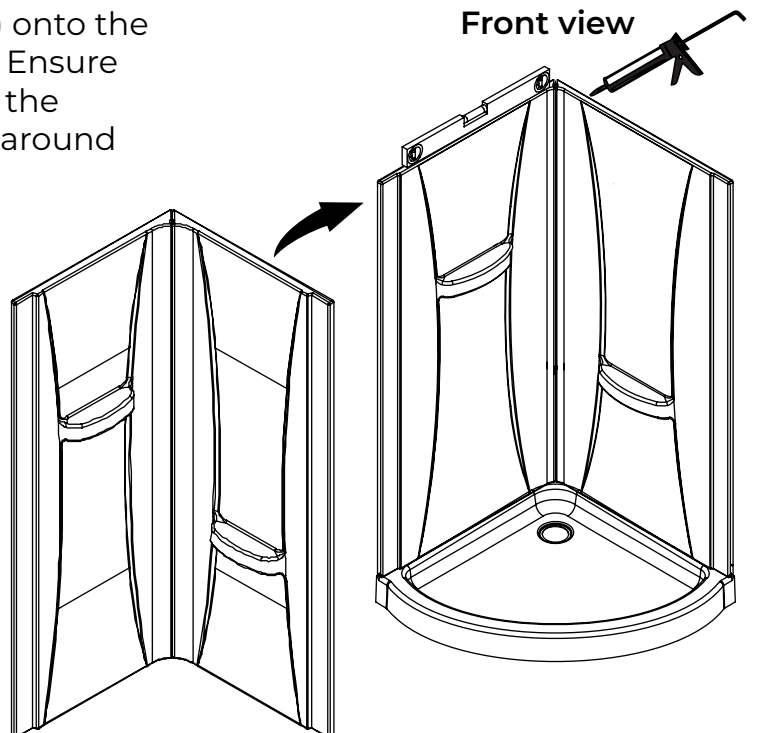
8.1

Tightly screw the wall panels together with the bolts, washers, and nuts (JJ).



8.2

Firmly push the wall panels (E & F) onto the drywall and wood batten support. Ensure that the wall panels are flush with the shower base edge. Apply silicone around the acrylic shower wall edges.



HELPFUL HINT:
Add silicone on the top and side edges of the wall panels

INSTALLATION

SHOWER
DOOR



SHOWER DOOR INSTALLATION PREPARATION

This instruction is drawn up for a door opening from right to left (see illustration 1). For an installation for a door opening from left to right (see illustration 2), use the same instructions, but switch around the panels: **mirror effect**.

! INSTALL THE SHOWER HEAD ON THE DOOR'S SIDE AS SHOWN IN THE ILLUSTRATION! THIS WILL REDUCE THE RISK OF LEAKING.

SHOWER DOOR INSTALLATION
FIXED PANEL ON THE LEFT
HAND SIDE

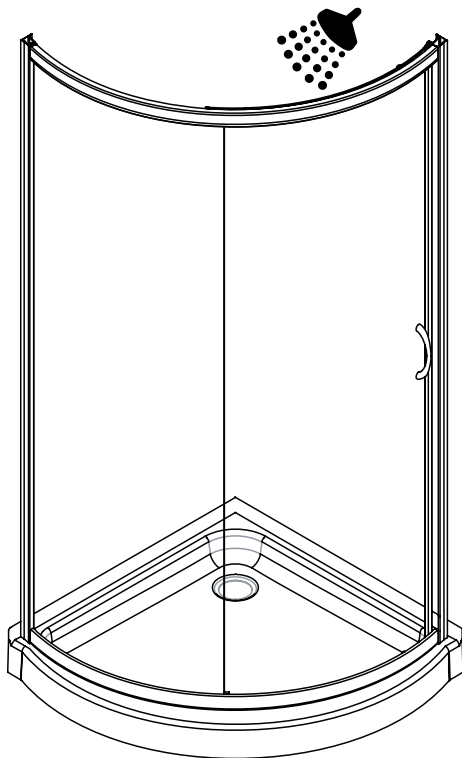


Illustration 1

SHOWER DOOR INSTALLATION
FIXED PANEL ON THE RIGHT
HAND SIDE

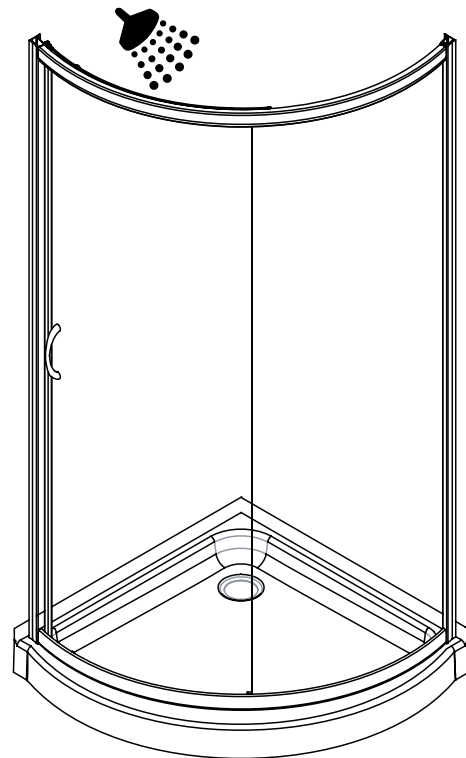


Illustration 2

FAQ

Q: If the shower head is installed on the other wall, will it leak?

A: It is possible to install your shower head on the other side, but we strongly recommend to install it as illustrated.

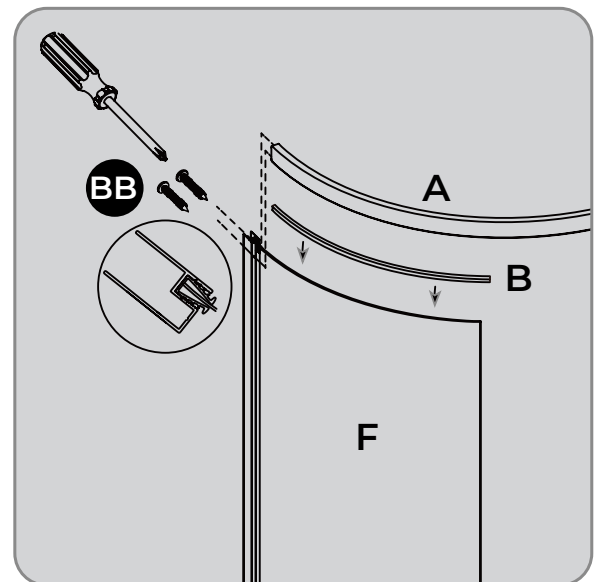
FRAME ASSEMBLY

STEP 01

! POSITION THE TOP AND BOTTOM FRAME TRACKS (A) SO THAT THE PRE-INSTALLED DOOR BUMPER AT THE BACK IS LOCATED ON THE SIDE OF THE FIXED PANEL (F).

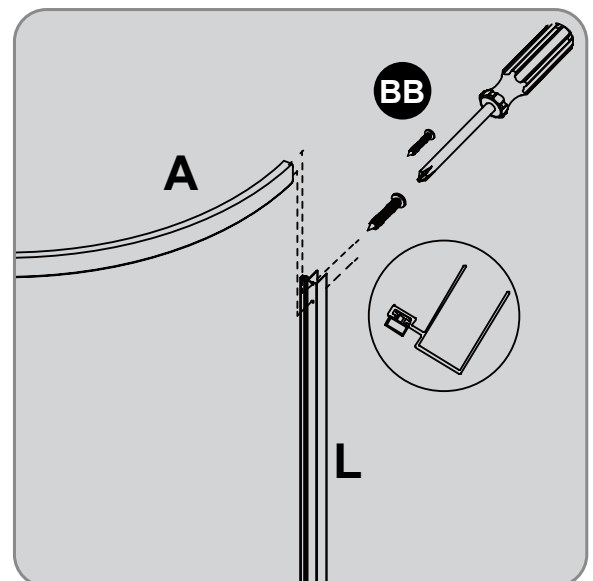
1.1

Insert the fixed panel seal strip (B) on top of the fixed panel (F). Screw the top left side of fixed panel (F) to the frame track (A) using screws (BB).



1.2

Screw the top right side of the door track (L) to the frame track (A) using screws (BB).



FRAME ASSEMBLY

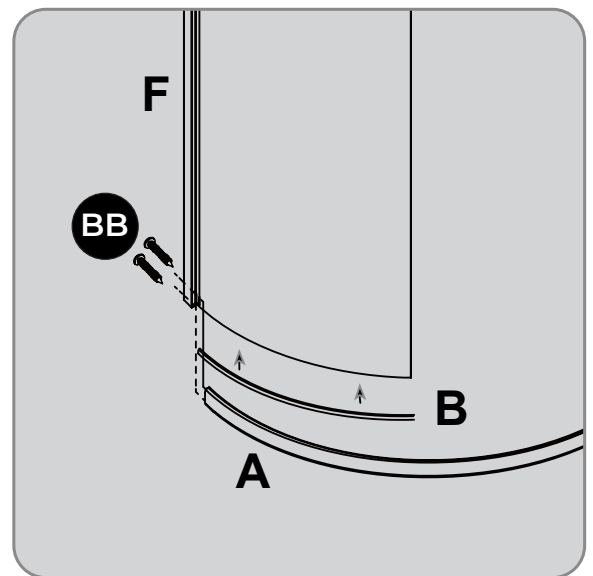
STEP 02



POSITION THE TOP AND BOTTOM FRAME TRACKS (A) SO THAT THE PRE-INSTALLED DOOR BUMPER AT THE BACK IS LOCATED ON THE SIDE OF THE FIXED PANEL (F).

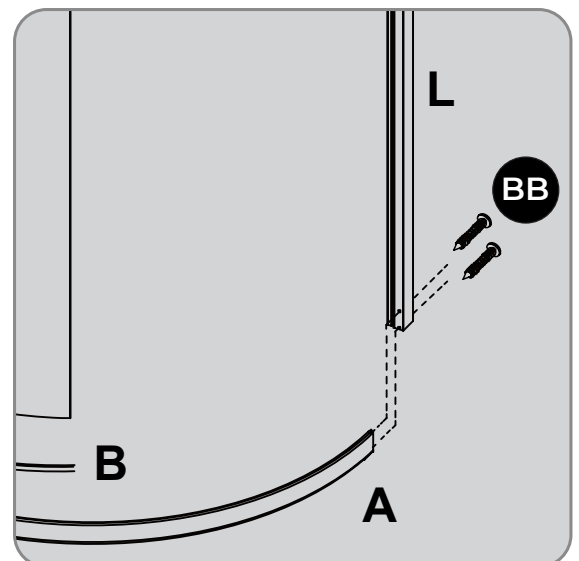
2.3

Insert the fixed panel seal strip (B) on bottom of the fixed panel (F). Screw the bottom left side of fixed panel (F) to the frame track (A) using screws (BB).



2.4

Screw the bottom right side of the door track (L) to the frame track (A) using screws (BB).

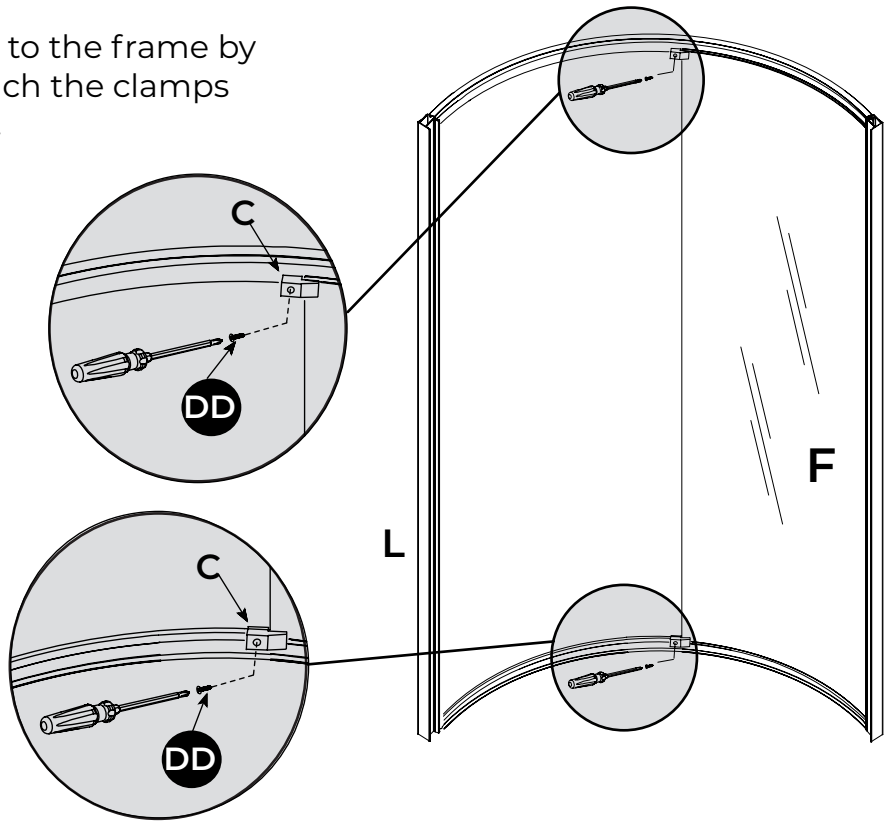


FIXED PANEL ASSEMBLY

STEP 3

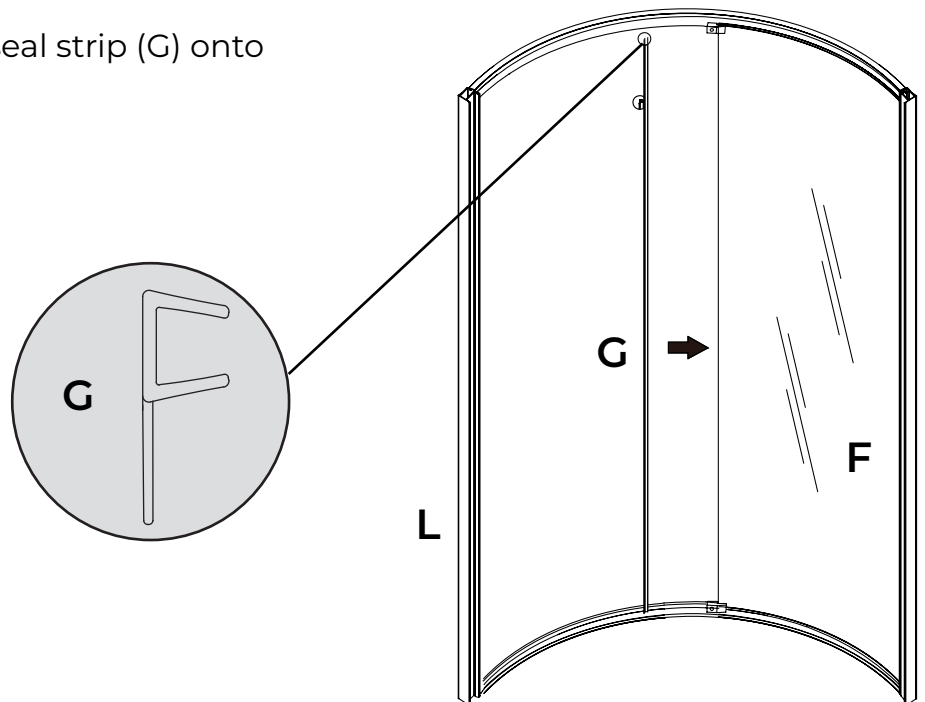
3.1

Secure the fixed panel (F) to the frame by using the clamps (C). Attach the clamps (C) using the screws (DD).



3.2

Insert the fixed panel seal strip (G) onto the fixed panel (F).

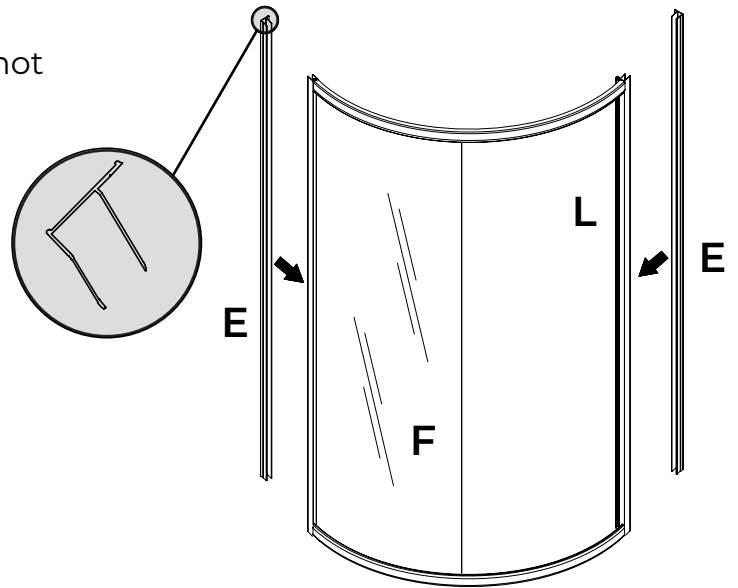


WALL TRACK AND SHOWER FRAME ASSEMBLY

STEP 4

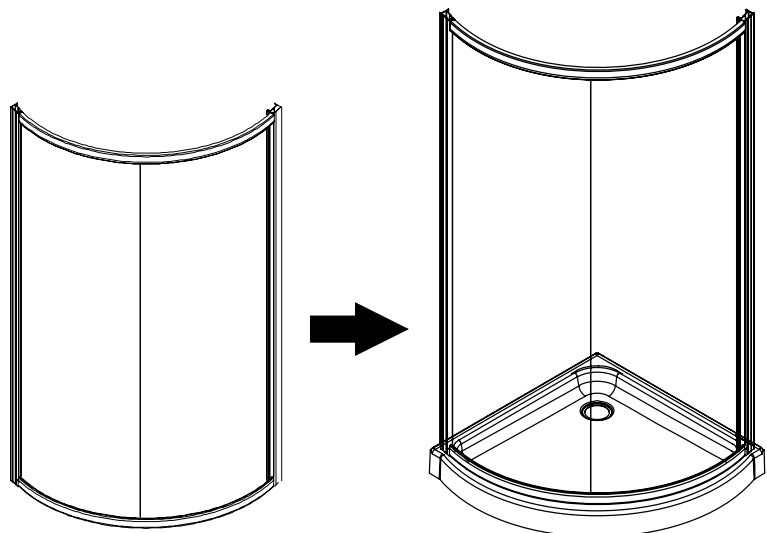
4.1

Insert the wall tracks (E) onto the sides of the assembled frame. Do not screw in the wall track at this step.



4.2

Take the assembled shower frame and gently put it onto the installed shower base. Ensure that all leveled. Position the frame such as the center of the wall track will be located on the center line of the shower base, as illustrated below.



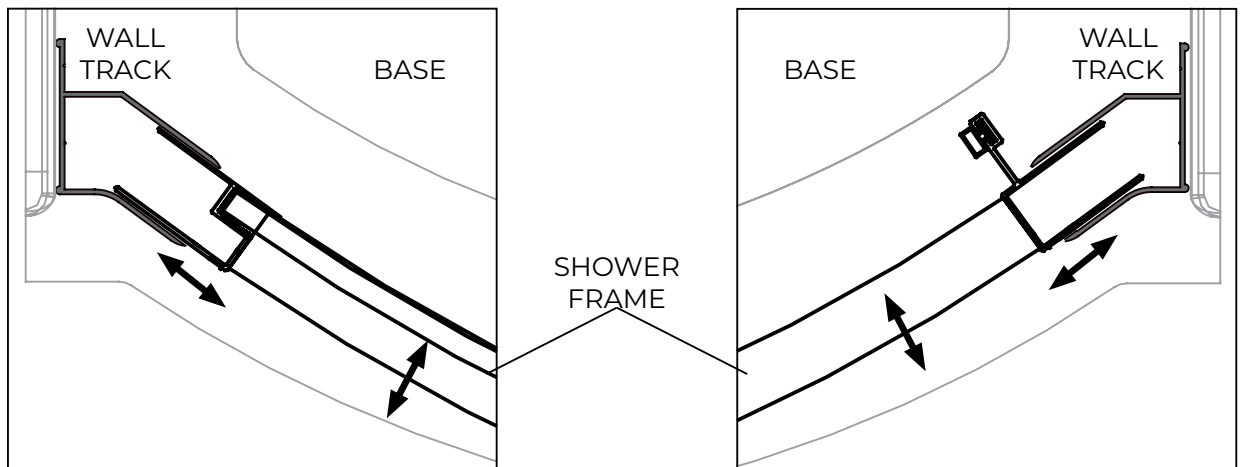
SHOWER FRAME ADJUSTMENT

STEP 5

5.1

The wall tracks allow you to adjust the position of the assembled shower frame. Adjusting the depth allows for out of plumb adjustment.

WARNING!!!
DO NOT SECURE THE WALL TRACKS OR
DOOR FRAME WITH SCREWS AT THIS STEP.

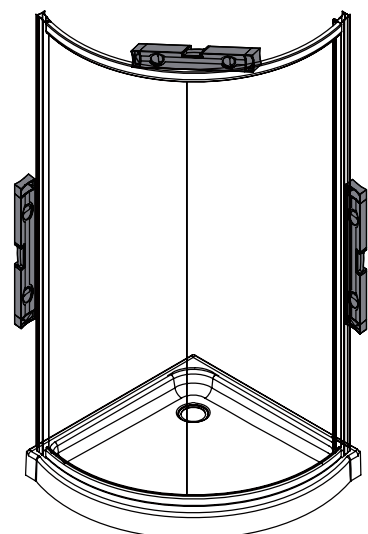


IMPORTANT!!!

Adjust the door frame and the wall tracks to fit the shower door into the space. The wall tracks are allowed to deviate from the center line a bit as long as the shower door frame sits on the flat surface of the shower base threshold.

5.2

Level the shower frame.

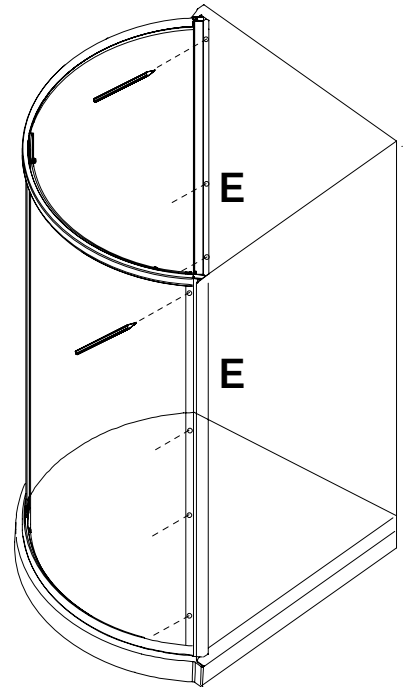
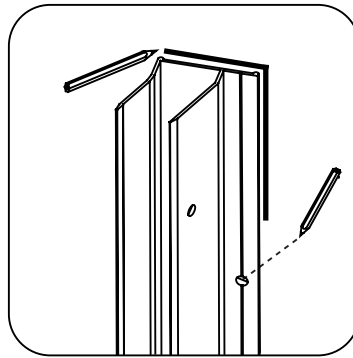


DRY FIT

STEP

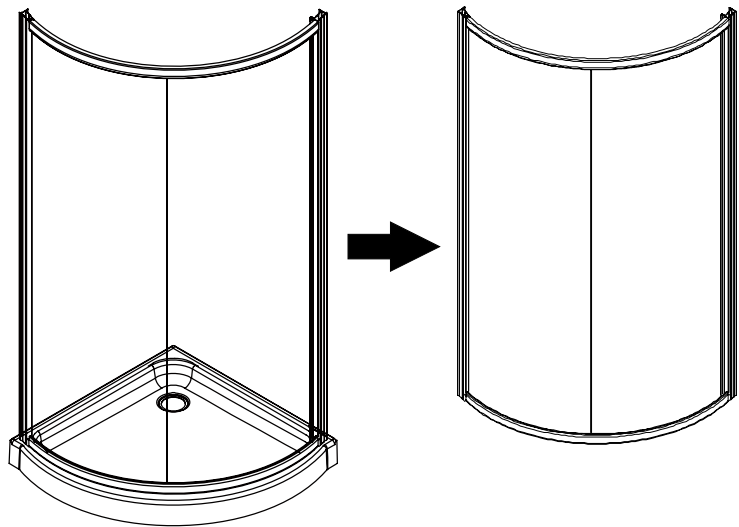
6.1

Mark the pre-drilled holes and the outline of the wall tracks (E) onto the wall.



6.2

Remove the assembled shower frame from the base.



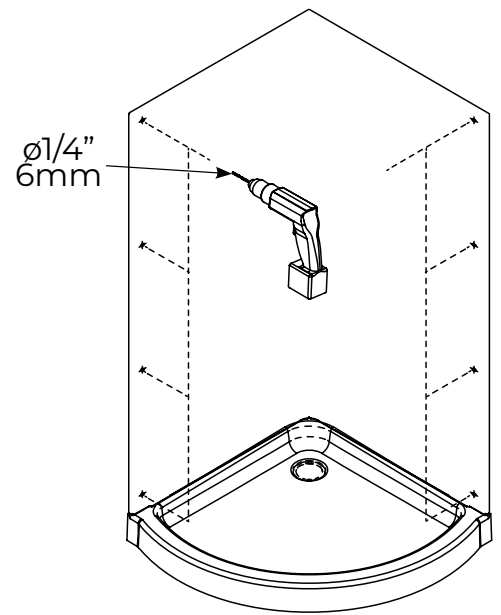
SHOWER FRAME INSTALLATION

STEP 07

! IF THERE ARE NO STUDS ALIGNED TO THE WALL TRACK BEHIND THE DRYWALL, USE THE WALL ANCHORS TO ENSURE THE SCREWS WON'T BECOME LOOSE.

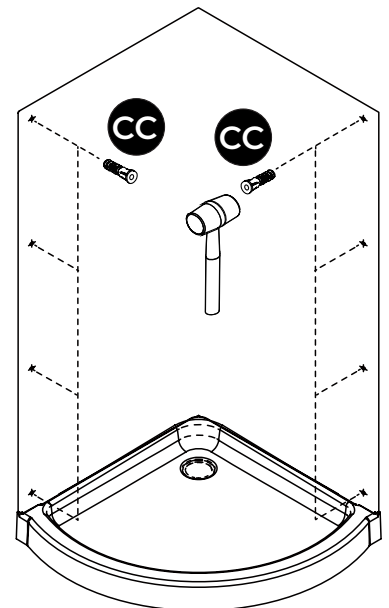
7.1

Using a $\phi 1/4"$ (6mm) drill bit, drill guide holes at the marked location.



7.2

Insert the wall anchors (CC) using a rubber mallet until the wall anchors are flush with the wall.

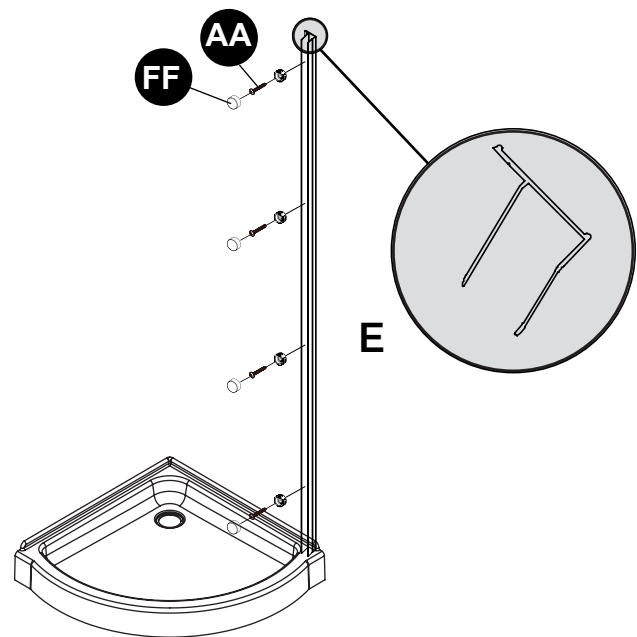


SHOWER FRAME INSTALLATION

STEP 8

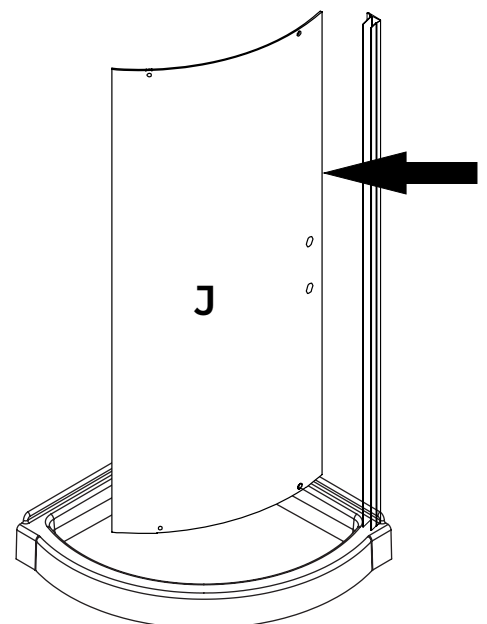
8.1

Place back the wall track (E) for the door opening side and align it with the marks. Secure the wall track using the washers (GG), screw (AA), and covers (FF).



8.2

HELPFUL HINT:
Before installing the frame, you may insert the door panel (J) in the shower base to facilitate future steps.

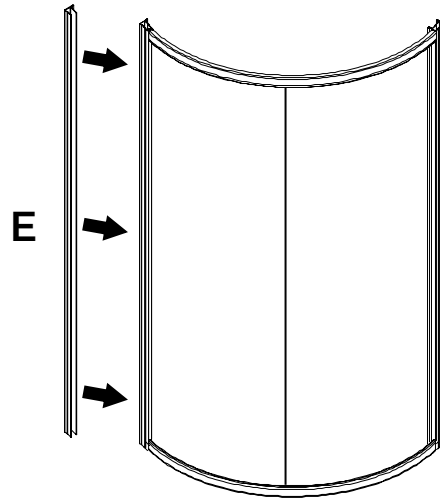


SHOWER FRAME INSTALLATION

STEP 9

9.1

Insert the other wall track (E) into the shower frame on the fixed panel side.

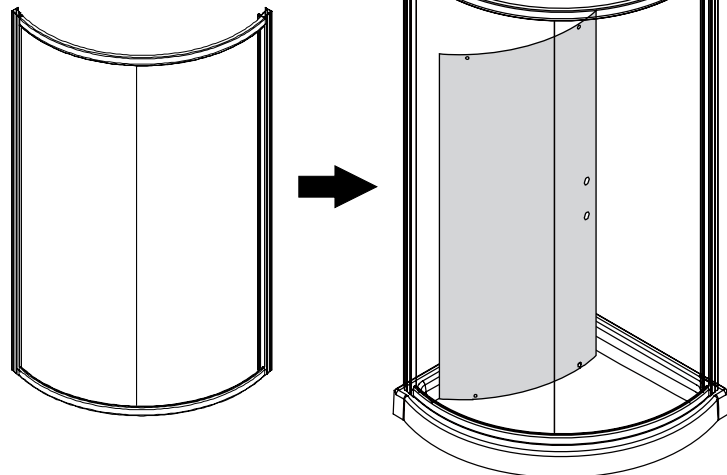
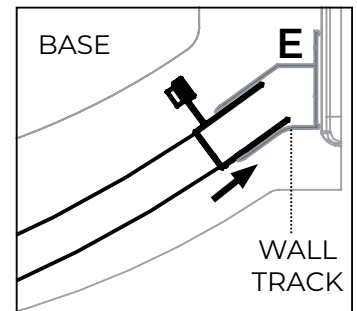


9.2

Place the assembled shower frame back onto the base and inset it into the mounted wall track (E).

IMPORTANT!!!

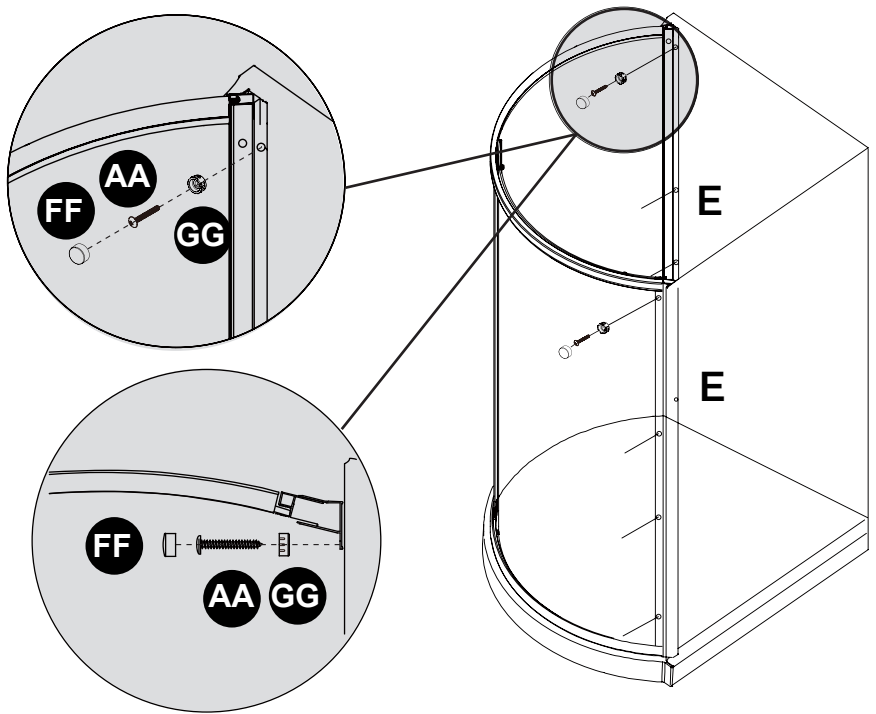
Redo the adjustment to make sure the frame sit correctly and the wall track is aligned with the markings.



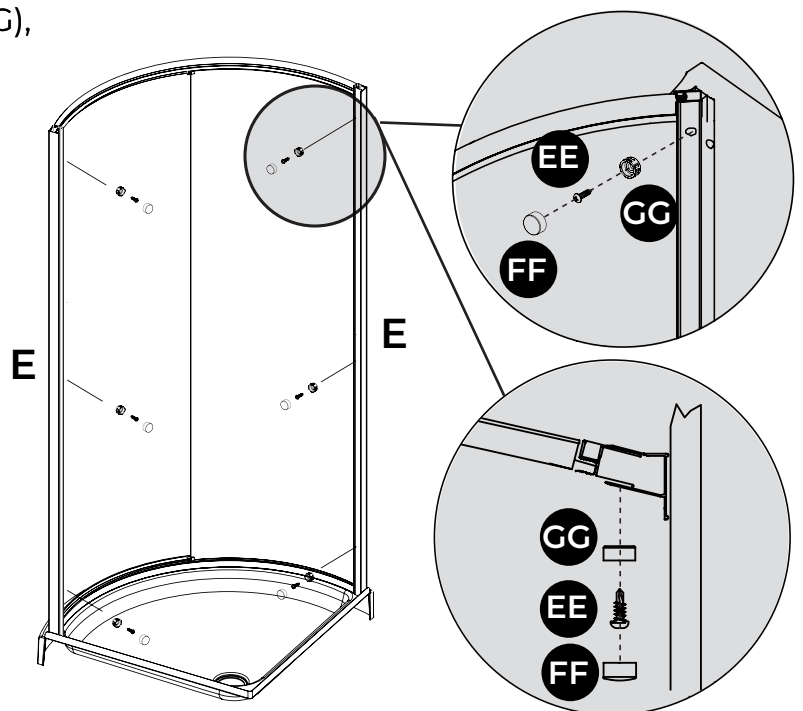
SHOWER FRAME INSTALLATION

STEP

10.1 Secure the wall tracks (E) using the washers (GG), screws (AA), and covers (FF).



10.2 Secure the shower frame to the wall tracks (E) using washers (GG), screws (EE), and caps (FF).

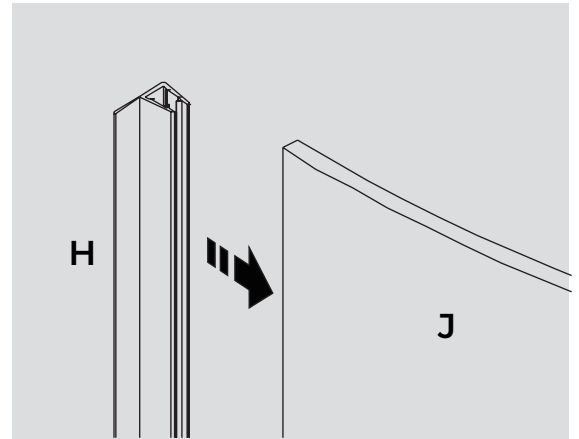


SHOWER DOOR INSTALLATION

STEP

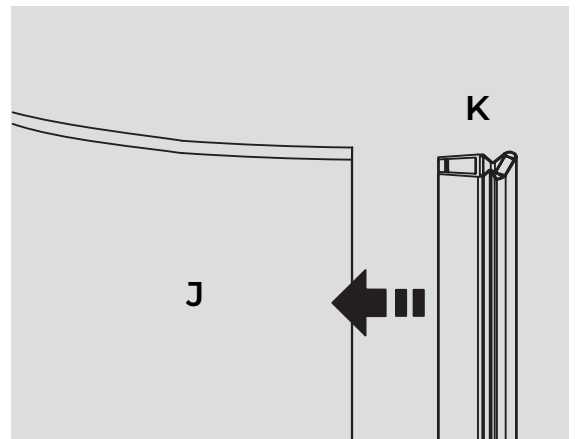
11.1

Insert the door panel seal strip (H) on the left side of the door (J).



11.2

Insert the magnetic seal strip (K) on the closing end of the door (J).



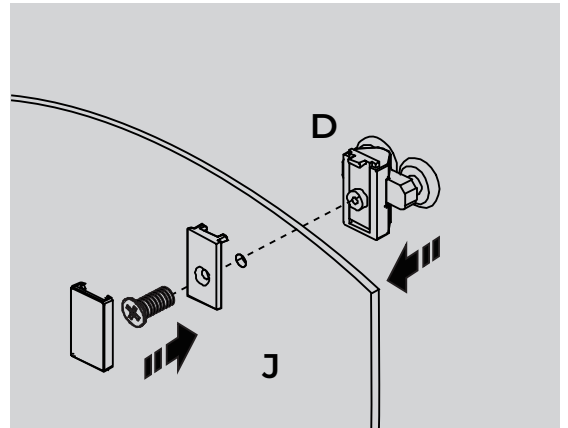
SHOWER DOOR INSTALLATION

STEP

12

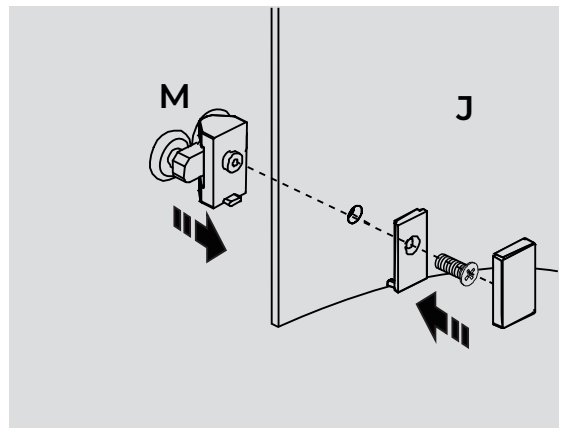
12.3

Insert the top door wheels (D) into the wheel holders.



12.4

Insert the bottom door wheels (M) into the wheel holders.



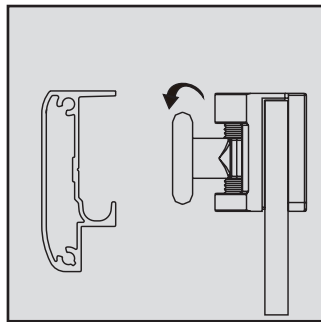
SHOWER DOOR INSTALLATION

STEP

13

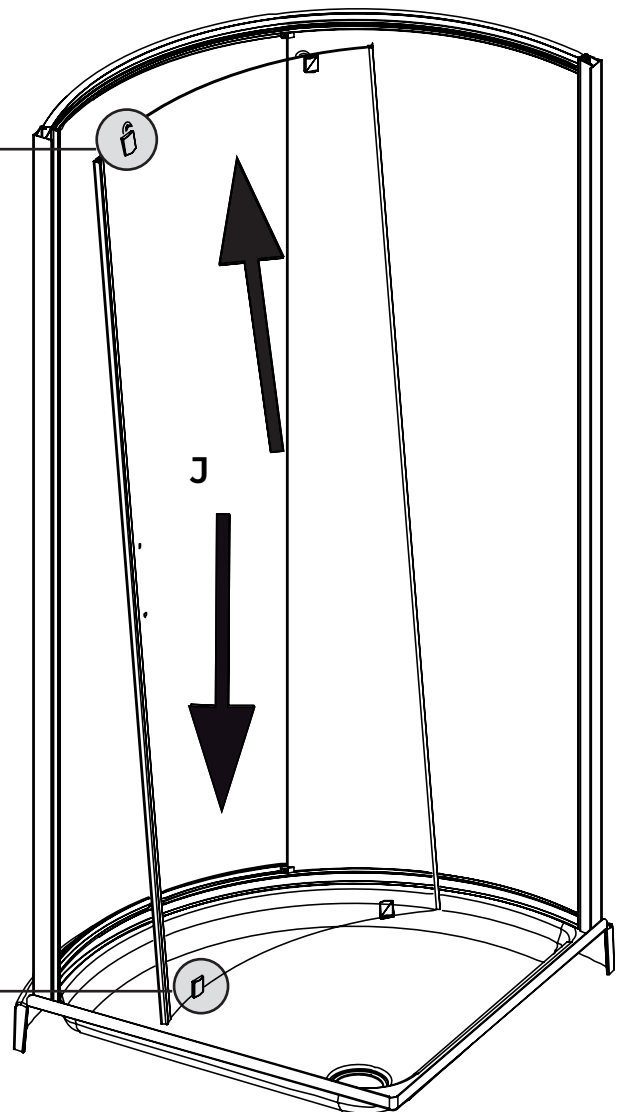
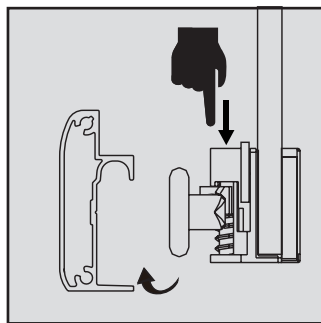
13.1

Gently and carefully hang the door (J) by its top wheels (D).



13.2

Secure the bottom wheels into the bottom frame track (A) by pushing down on the bottom wheel. A spring action will secure the bottom wheels into the frame track.

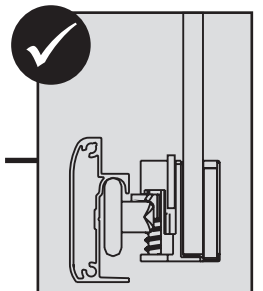
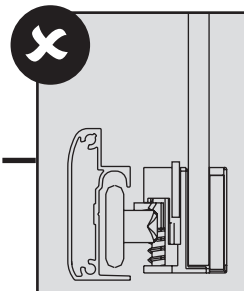
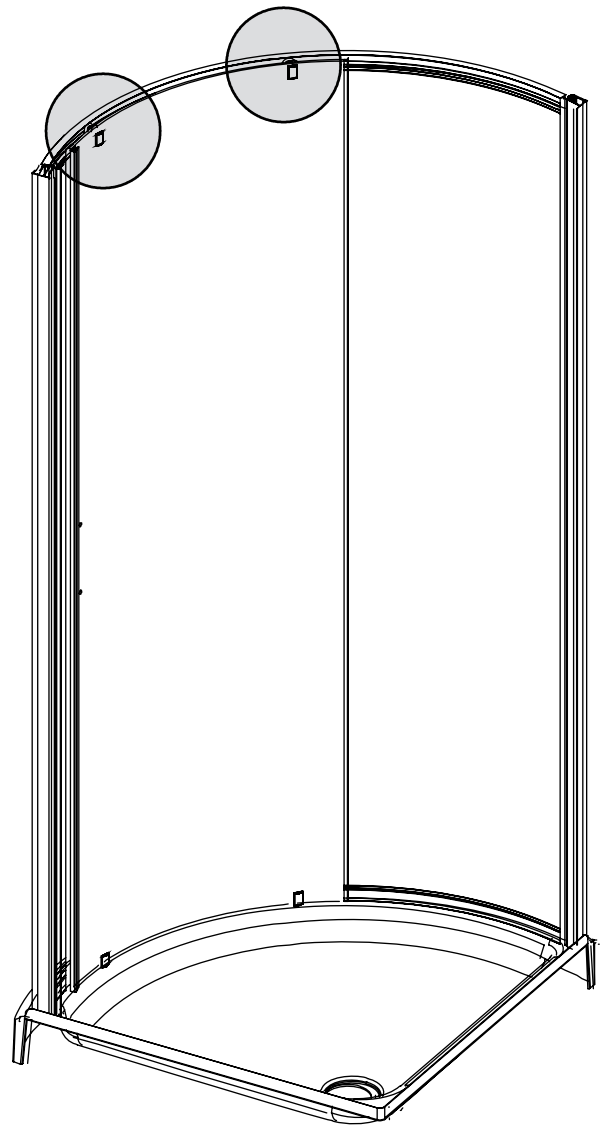
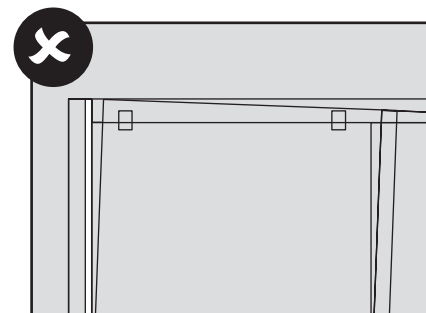
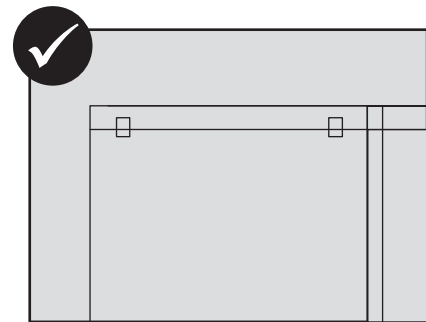
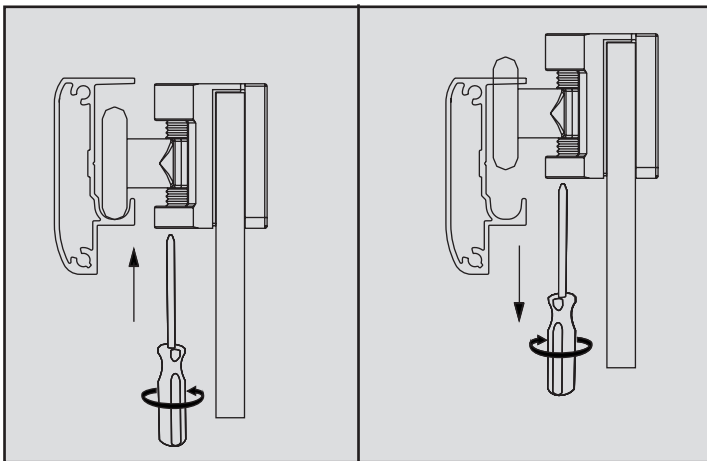


SHOWER DOOR ADJUSTMENT

STEP 4

14.1

Ensure that the door closes well and that it is leveled. If an adjustment is needed, use a screwdriver to tighten or loosen the screw located under the top rollers to level the door adequately.



HELPFUL HINT:

This wheel adjustment can be used to level the door in order to yield a uniform and tight closed door seal. It is also used, if the bottom wheels of the door come off their rail too easily, in which case, tighten the screws of the top wheels counter-clockwise which will lift the door panel up and tighten the bottom wheels.

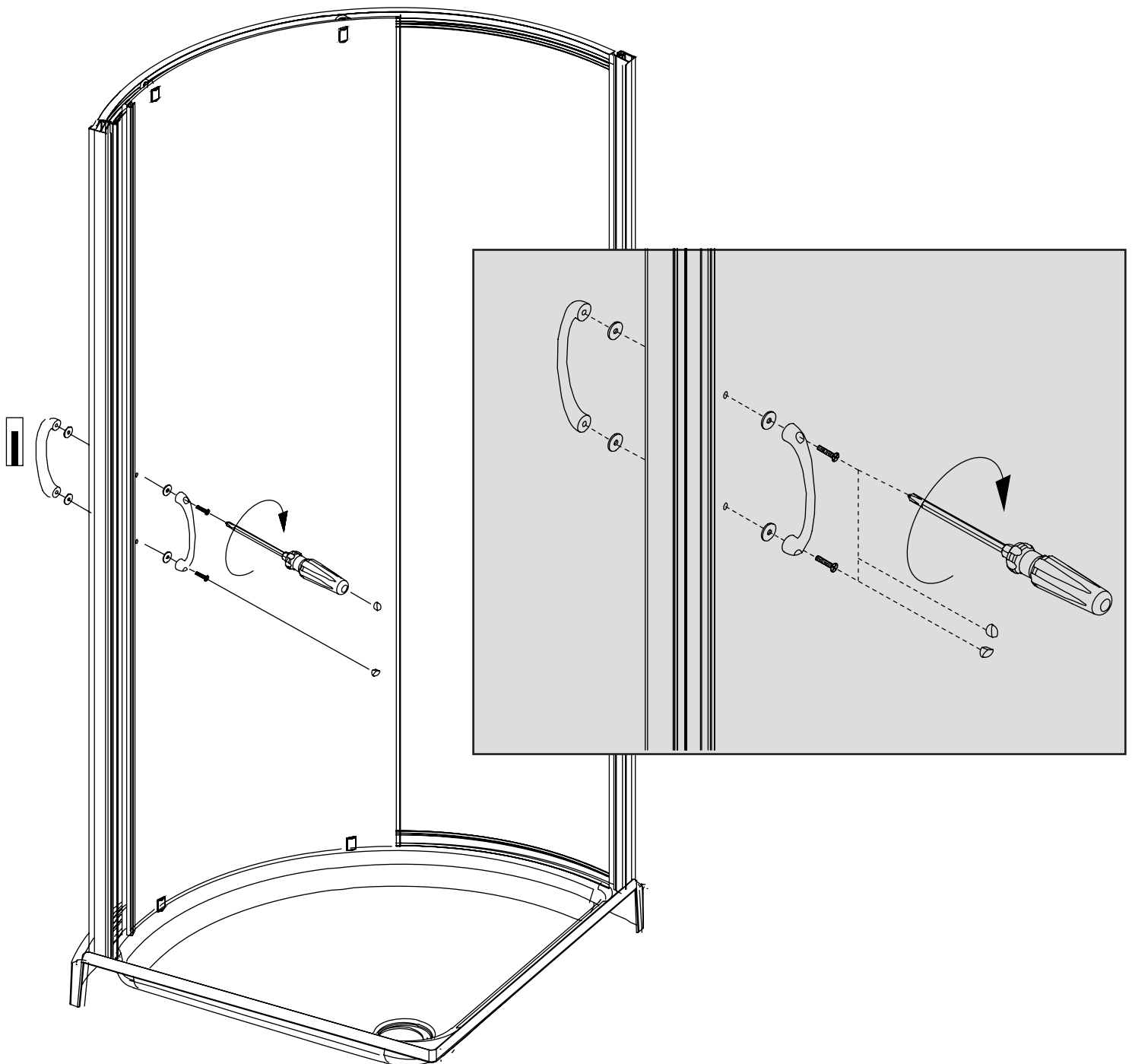
HANDLE INSTALLATION

STEP

15

15.1

Install the handle (I).



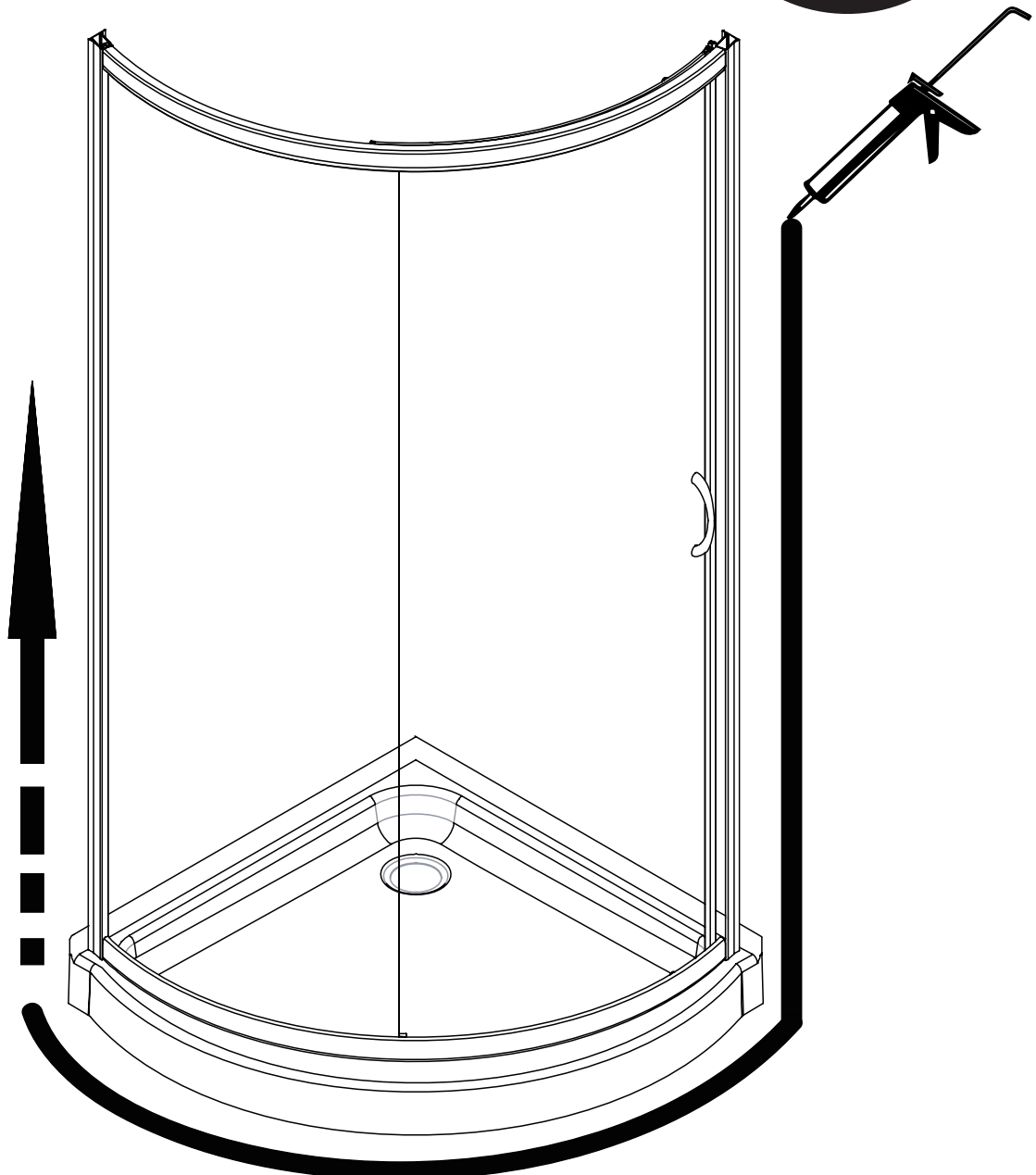
SEALING

STEP

16

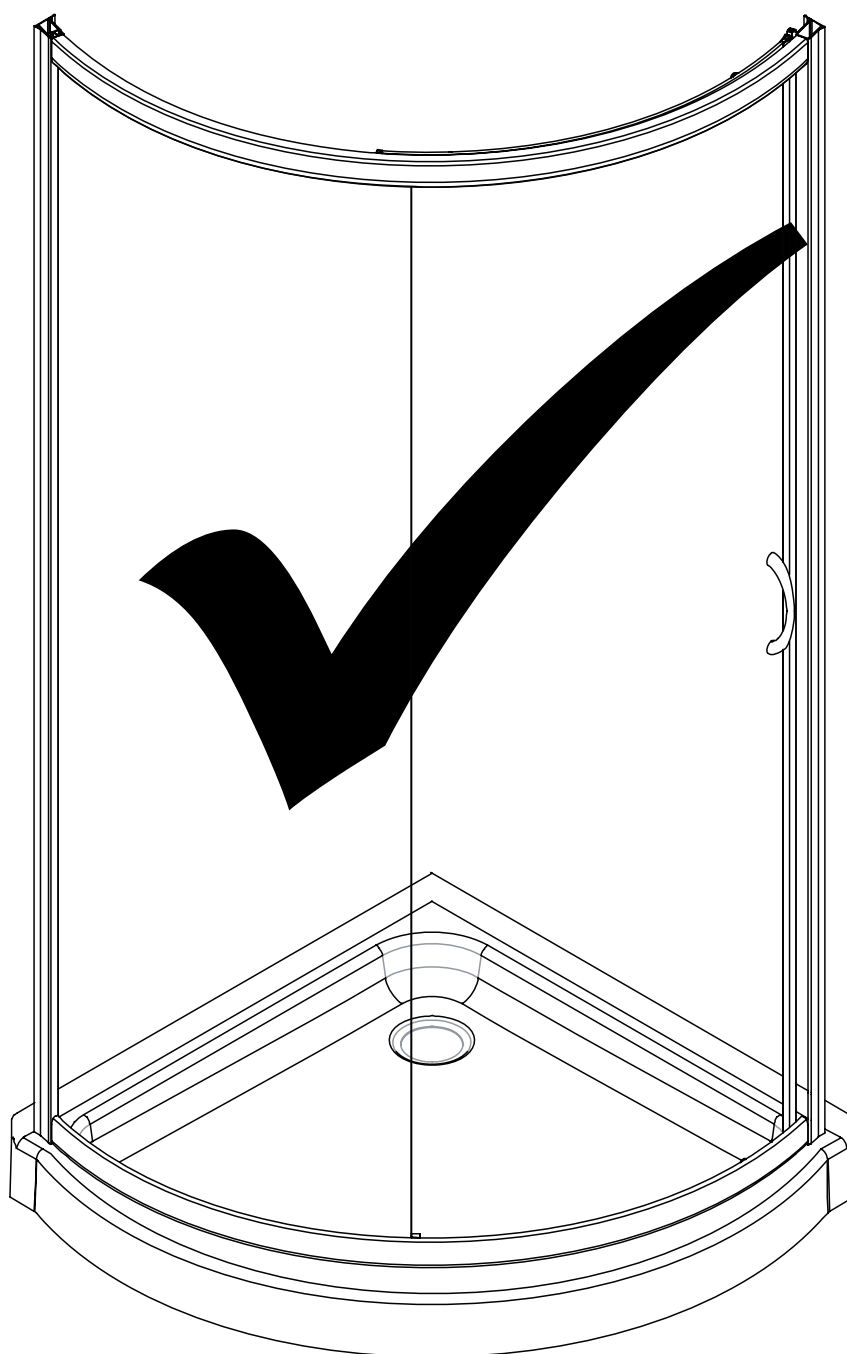
16.1

Ensure that the door closes tightly and opens smoothly. Ensure that there is a firm connection between the fixed panel(s) and the support bar. Apply a clear silicone water sealant around the inside and outside perimeter of any fixed shower components. Allow 24 hours for silicone to dry. Improper application of silicone sealant may cause your shower to leak.



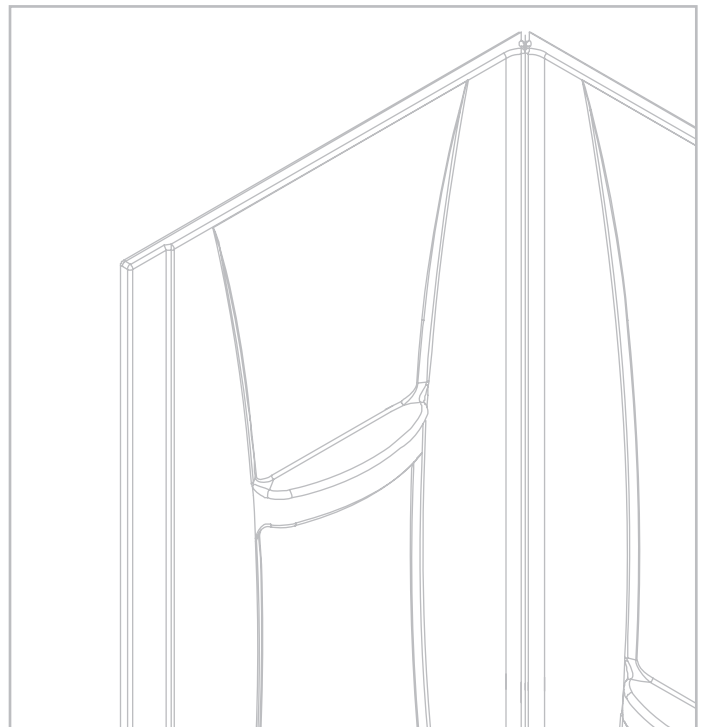
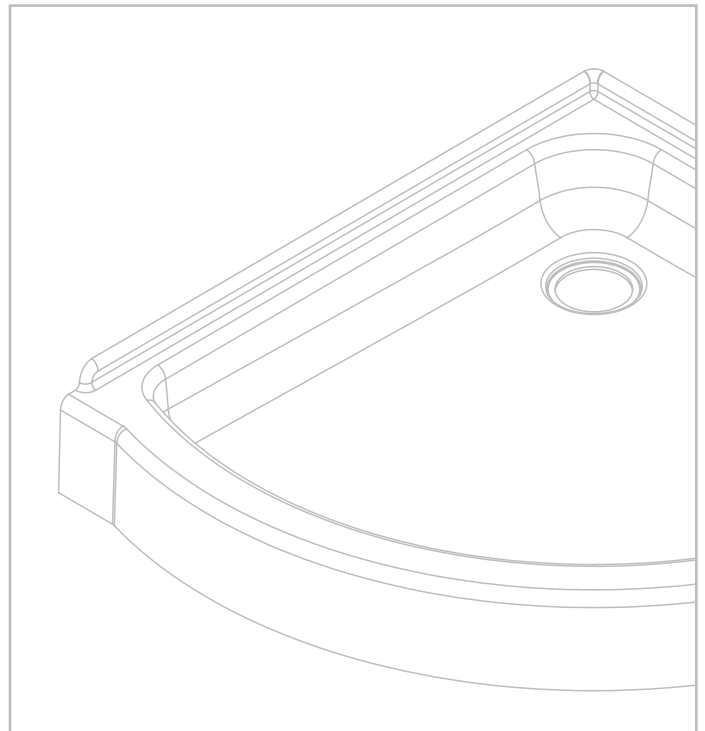
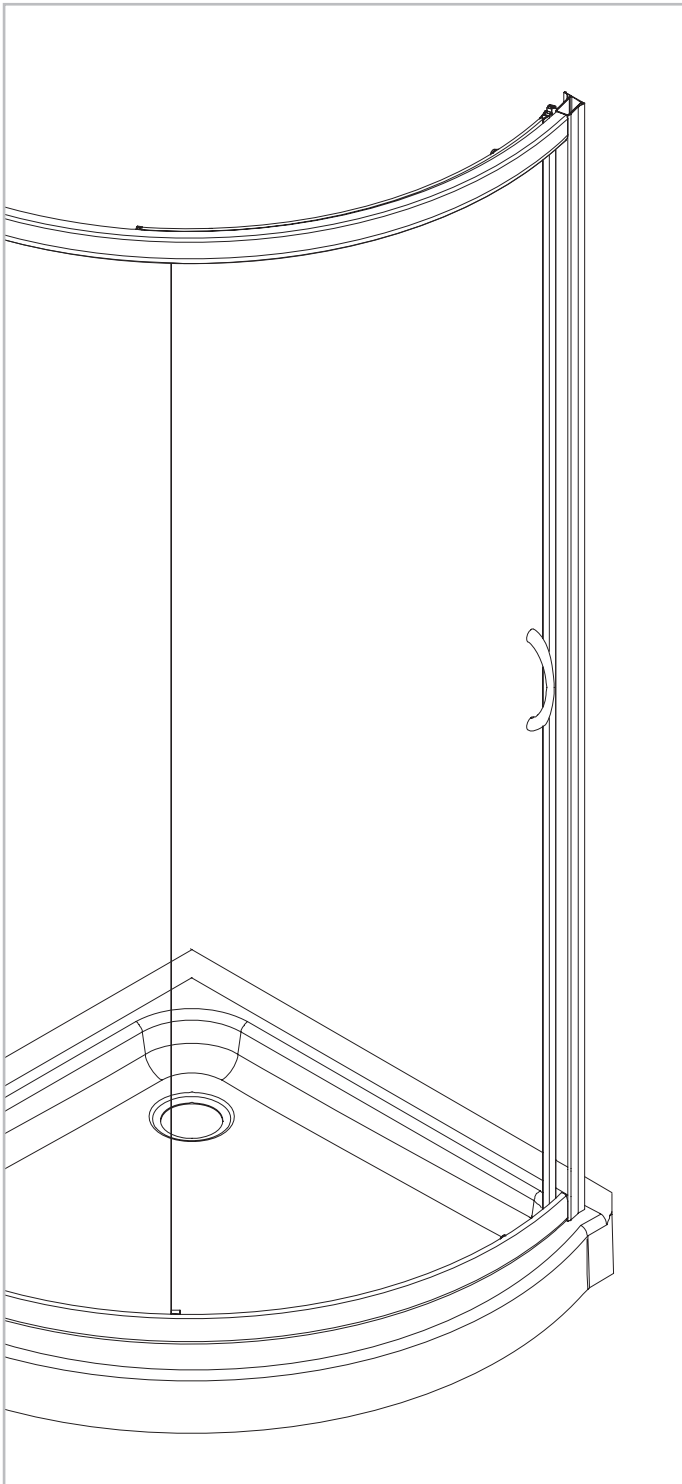
ASSEMBLY

COMPLETED



MAINTENANCE & CARE

- For the daily maintenance, use a wet cloth and a soft liquid cleaner.
- Never use abrasive cleaners containing some acetone, chlorine or strong bleach, scrapers, metallic brushes, nor other objects or the products which can graze or tarnish surfaces.
- Use a ratchet to strongly tighten any bolts used to support the fixed glass panels or doors panel (support bolts can withstand up to 250 lbf*in of torque).
- Check these bolts every 4 months and re-tighten them if necessary.



THE WARRANTY

LIMITED PRODUCT WARRANTY

The DISTRIBUTOR is a distributor of the following Products:

- Shower Doors (warranty period 5 years).
- Acrylic Surfaces (warranty period 5 years against blistering, cracking or chipping in the acrylic surface).
- Acrylic Shell Structure (warranty period 5 years against loss of water through fiberglass laminate of the acrylic body).
- Shower Hardware (handles, hinges, rubber support clips, metal support bars and wall tracks) (warranty period 1 year against defects in materials or workmanship).

LIMITED WARRANTY: The DISTRIBUTOR warrants to the original retail purchaser that within a reasonable time after notification from purchaser, The DISTRIBUTOR will repair or replace the Product, or any part or component of the covered Product, distributed by The DISTRIBUTOR which is proven to the satisfaction of The DISTRIBUTOR to be defective in workmanship or materials, and which has failed during normal use and within the warranty period. This Limited Warranty does not apply to Products that have been damaged, or which fail, as a result of causes other than manufacturing defects (such as but not limited to improper installation; lack of or improper care or maintenance; exposure to elements including corrosive products, environments or water; alteration; abuse or misuse). This warranty does not cover damage to finishes. The warranty commences on the first date a Product is purchased by the customer. This warranty applies exclusively to products purchased and used in non-commercial applications.

WARRANTY CLAIM PROCEDURE: To make a claim please call The DISTRIBUTOR's helpline to trouble-shoot the issue and start the claim process. Products may be inspected or evaluated by The DISTRIBUTOR and any Product or component found to meet the above warranty criteria will be repaired or replaced at The DISTRIBUTOR's option. Replacement or repaired parts will be shipped at no cost to customer via ground freight only. Any expedited methods of shipments are customer's expense.

DISCLAIMER AND EXCLUSION OF WARRANTIES: This warranty is meant to be a complete and exclusive statement of the terms of all limited warranties offered by The DISTRIBUTOR. To the fullest extent permitted by law, other than the express warranty set forth in this instrument there are **NO WARRANTIES, EXPRESS OR IMPLIED, INCLUDING ANY IMPLIED WARRANTIES OF MERCHANTABILITY OR FITNESS FOR A PARTICULAR PURPOSE EXTENDED BY THE DISTRIBUTOR.**

This warranty gives you specific legal rights. You may also have rights, which may vary under applicable state, provinces, or national legislation, which cannot be disclaimed or modified by the above Disclaimer. Except as permitted, the Disclaimer is not intended to waive, modify, release or limit the applicability of preemptive state, province, or national legislation inconsistent with the terms of this Limited Warranty and Disclaimer. However, to the extent permitted by law, no implied warranties of merchantability or fitness are intended or extended hereunder. Notwithstanding the Disclaimer if any implied warranty is imposed by operation of law, to the extent permitted, the duration of such implied warranties is limited to the shorter of the term of the express warranty or the applicable statute of limitations.

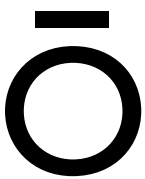
The Products listed above are intended to be installed and used for personal, consumer residential use. Use of Products for any other purpose such as commercial purposes voids this warranty. The Limited Warranty is applicable only to the Products listed herein, and no warranty is extended to products not distributed by The DISTRIBUTOR. The warranty is applicable only to the first retail purchaser.

Transferability: This warranty is not transferable.

LIMITATION AND EXCLUSION OF REMEDIES AND DAMAGES: The DISTRIBUTOR's sole responsibility under this Limited Warranty shall be to repair or replace, at its option, any defective Product or component. Purchaser agrees that this is the sole and exclusive remedy under this Limited Warranty. The DISTRIBUTOR will not be responsible for any incidental, consequential, special or indirect damages, including loss of use as a result of any manufacturing defect in a Product. The DISTRIBUTOR will not be responsible for labor, or any other fees associated with removal or installation of warranted parts. Some states, provinces, or national legislation do not allow the exclusion or limitation of incidental or consequential damages, so this limitation may not apply to you.

Product modification: The DISTRIBUTOR reserves the right to change, modify or improve the Products without obligation to incorporate such changes in Products previously sold or installed.

Authority and Modification: The retail seller is not the agent of The DISTRIBUTOR and is not authorized to vary or modify the terms of the Limited Warranty. In addition, the retail seller cannot bind The DISTRIBUTOR or make any representations or promises about the Product that are binding on The DISTRIBUTOR.



950 Michelin
Laval, Quebec, Canada, H7L 5C1

www.ovedecors.com | customerservice@ovedecors.com