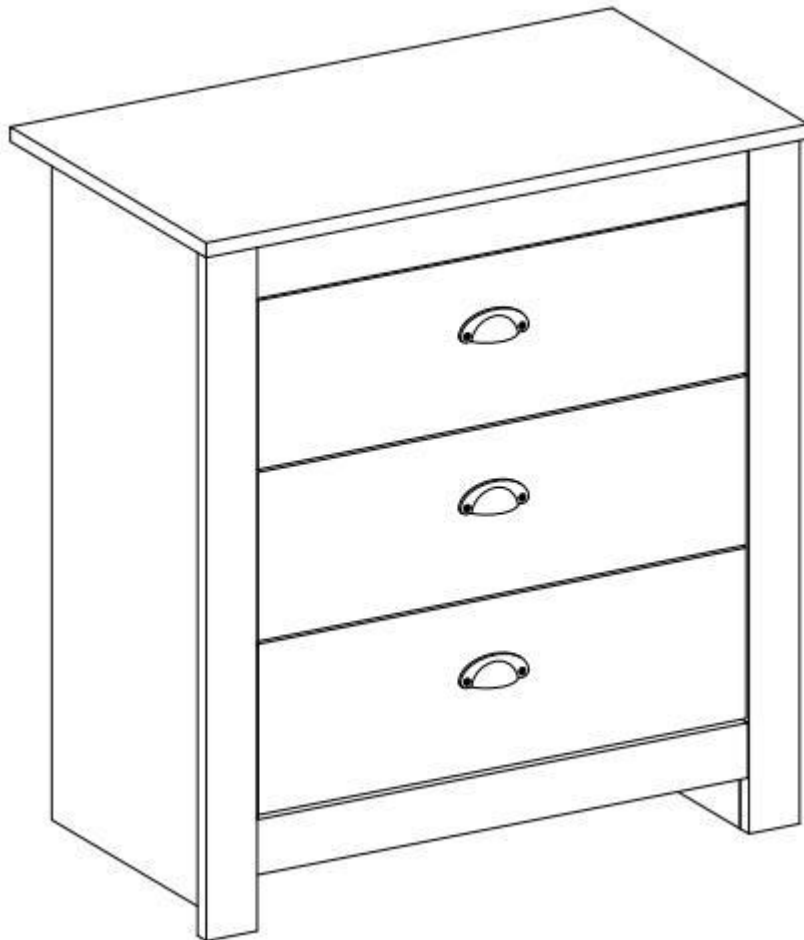


HMD FURNITURE

3 DRAWER BEDSIDE CABINET Assembly Instructions



PLEASE READ this instructions carefully before assembly the product.

Please open the outer carton carefully and confirm all parts and fixings condition according to the instruction before assembly.

If there is a shortage of parts or hardware or any questions, do not directly return or give a negative feedback, please contact us.

Our professional after-sales service staff will give you a satisfactory answer within 24 hours.

After-sale Guide

Dear Customer,

Please feel free to contact our customer service team directly via email.

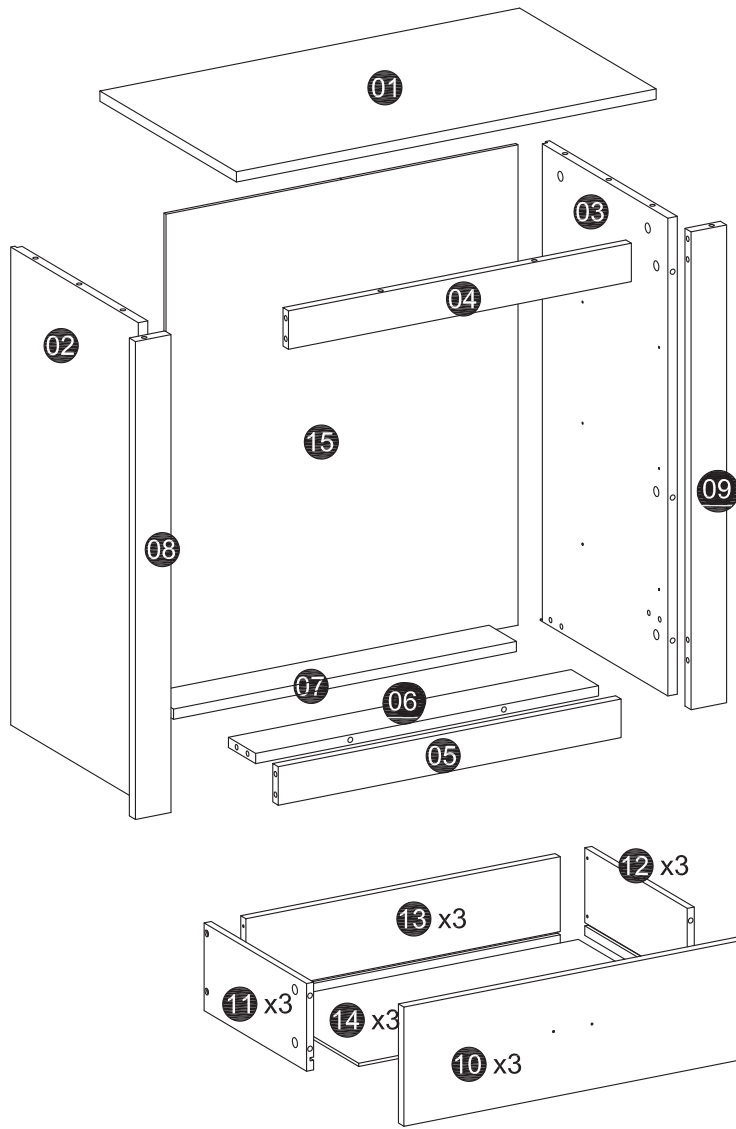
Provide as much detail as possible

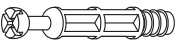

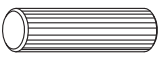

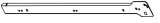
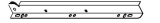
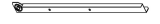
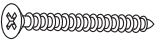


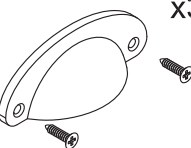

regarding the nature of your issue, including **photos if needed**, so we have the necessary information to assist you properly. We will work to investigate what has gone wrong and determine the best solution to remedy the situation to your satisfaction.

Please let us know how else we may assist. We are here to help however needed.

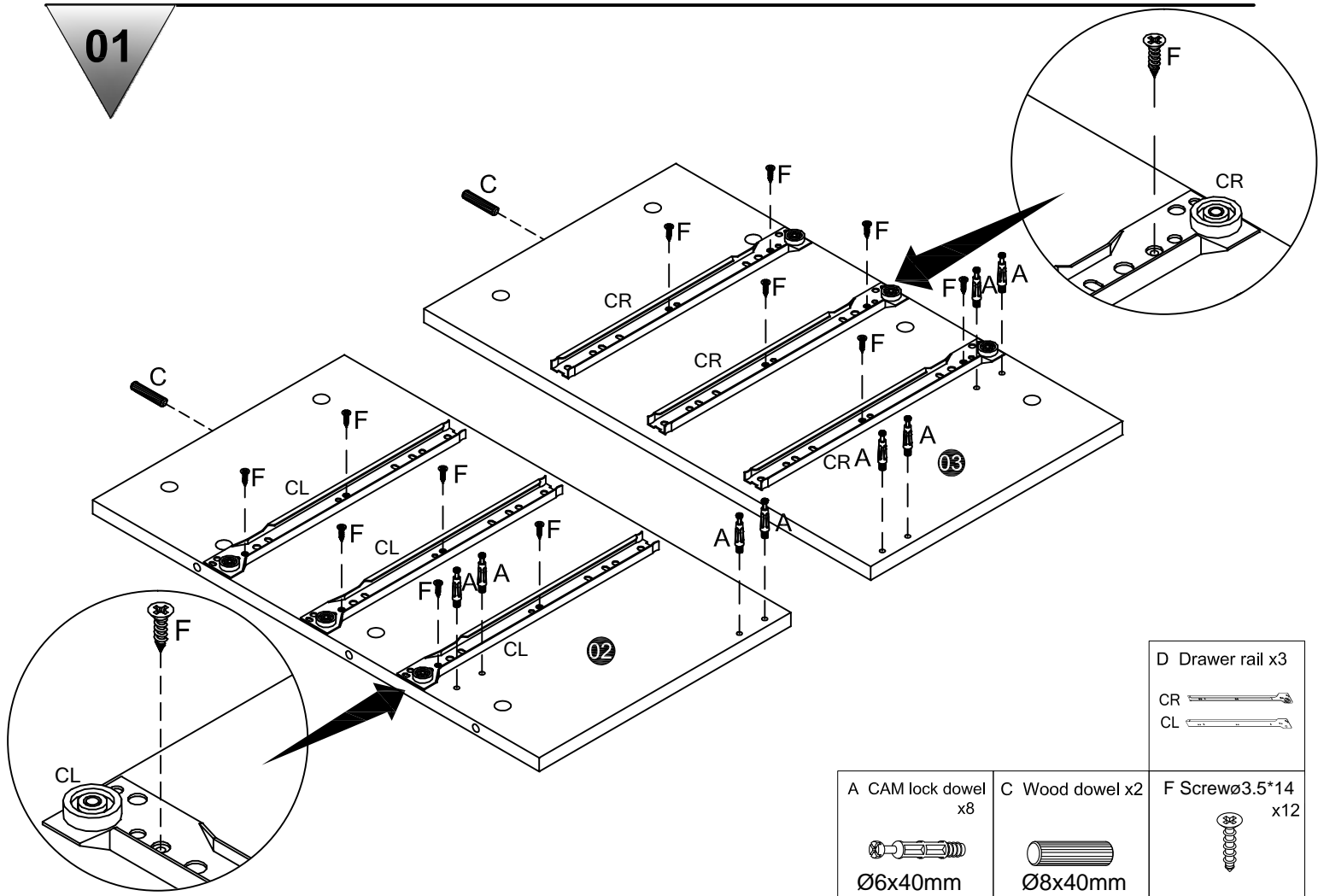
With gratitude,

Customer Service Representative

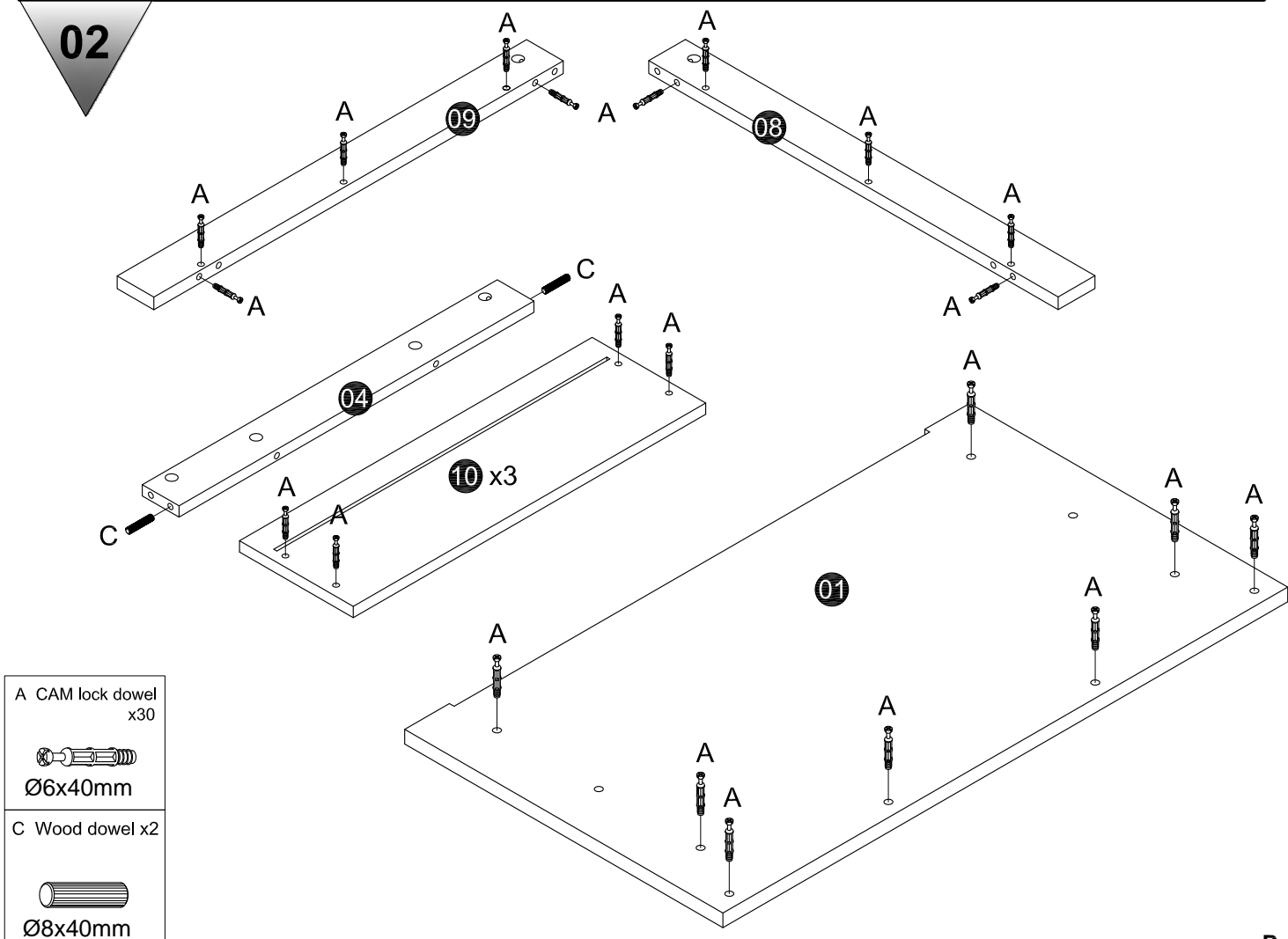


<p>A CAM lock dowel x40</p> 	<p>B CAM lock x40</p> 	<p>C Wood dowel x6</p> 	<p>D Drawer rail x3</p> <p>CR </p> <p>CL </p> <p>DR </p> <p>DL </p>	<p>E Screw $\varnothing 3.5 \times 35$ x12</p> 
<p>F Screw $\varnothing 3.5 \times 14$ x24</p> 	<p>G Nail</p> 	<p>H Handle & Screw x3</p> 	<p>I Nail Leg x4</p> 	

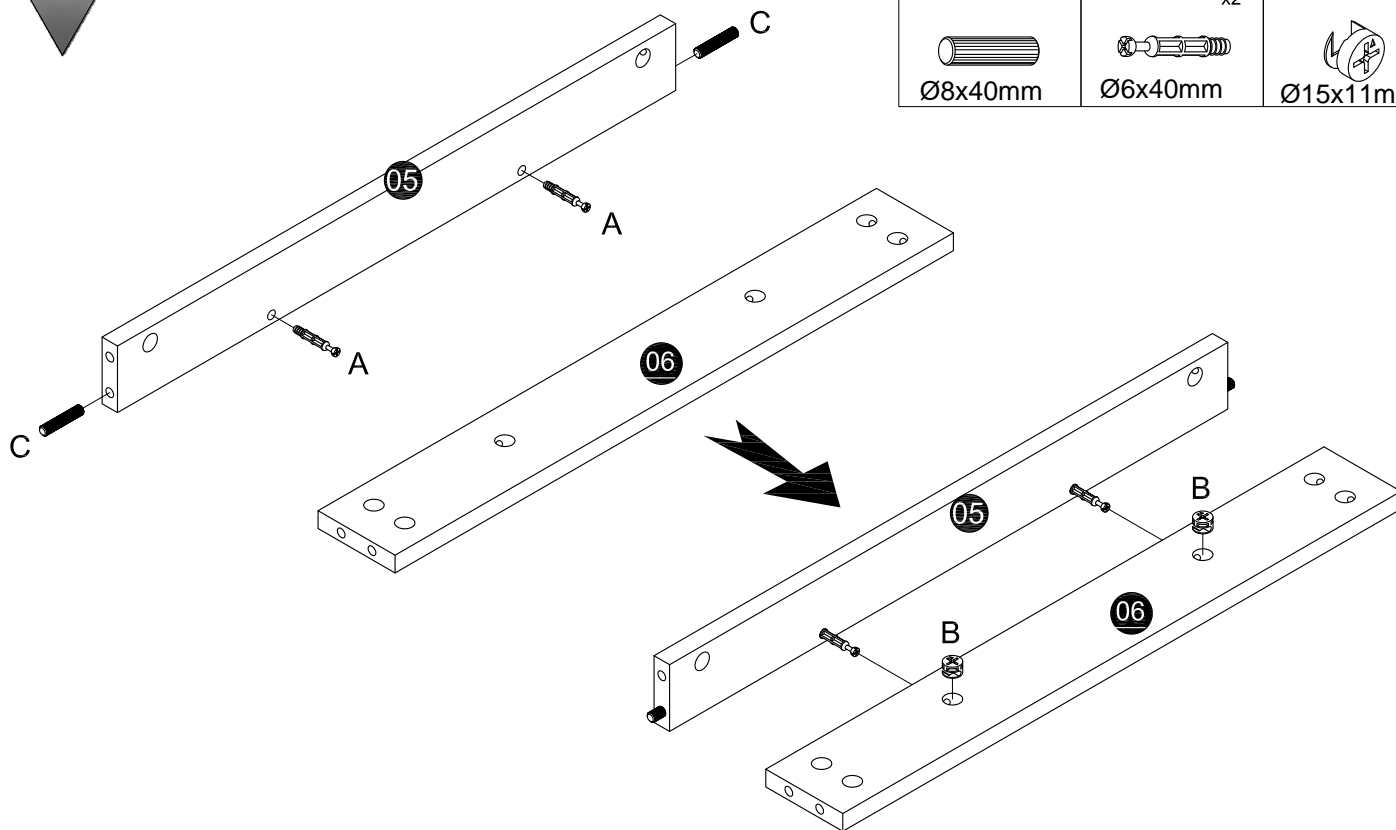
01



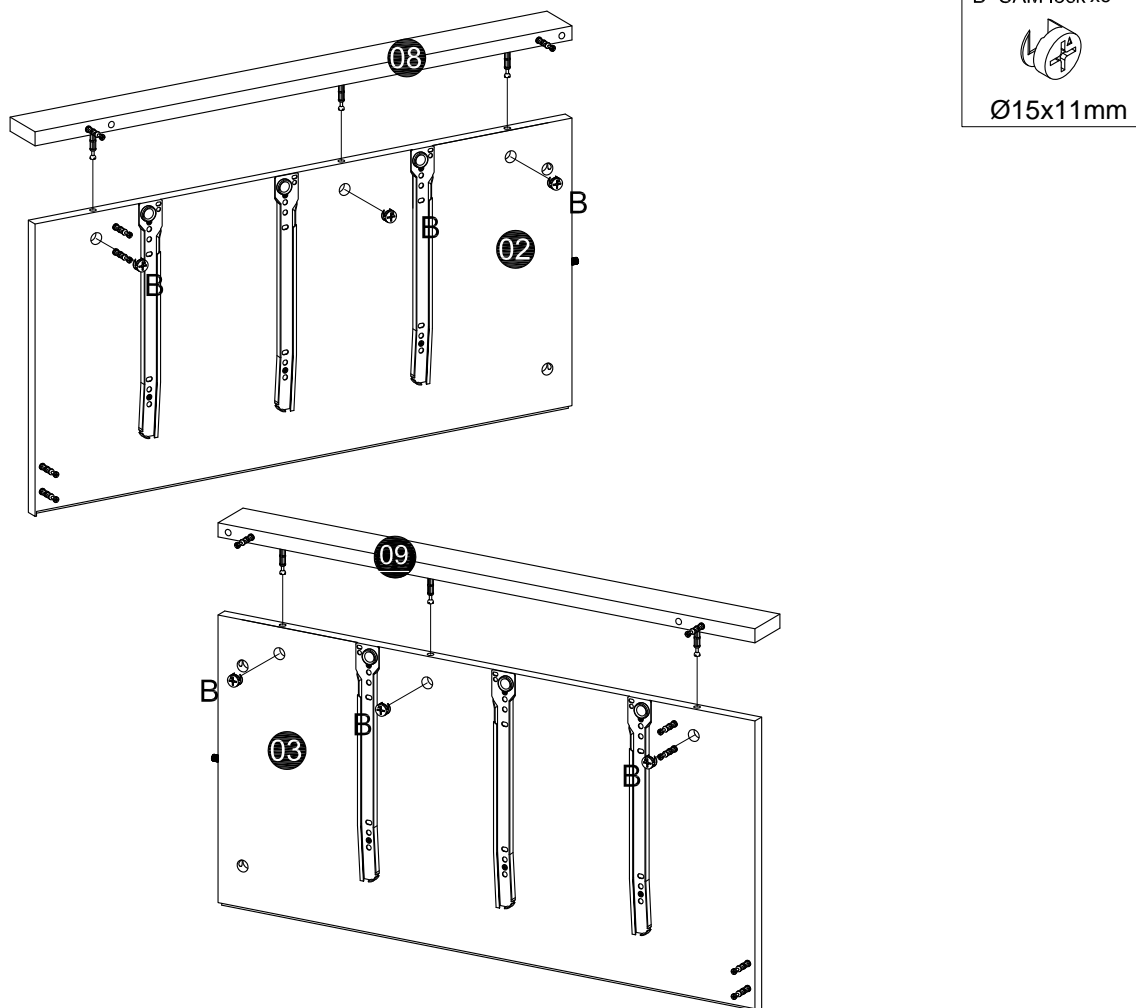
02



03



04

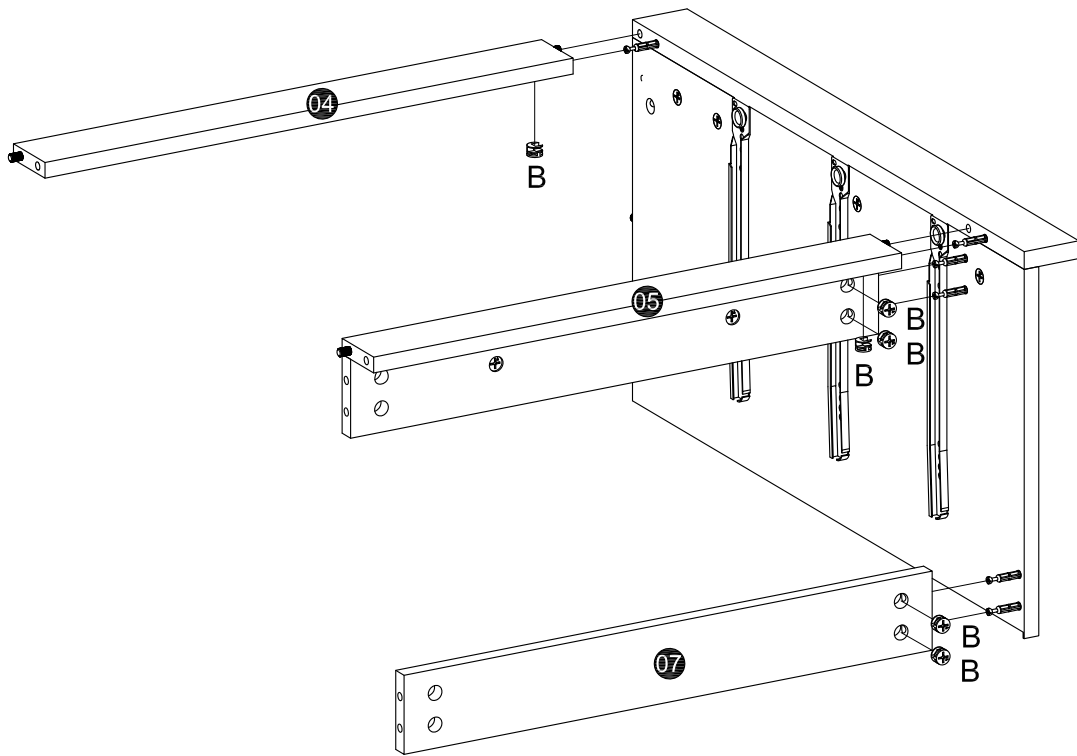


05

B CAM lock x6



Ø15x11mm

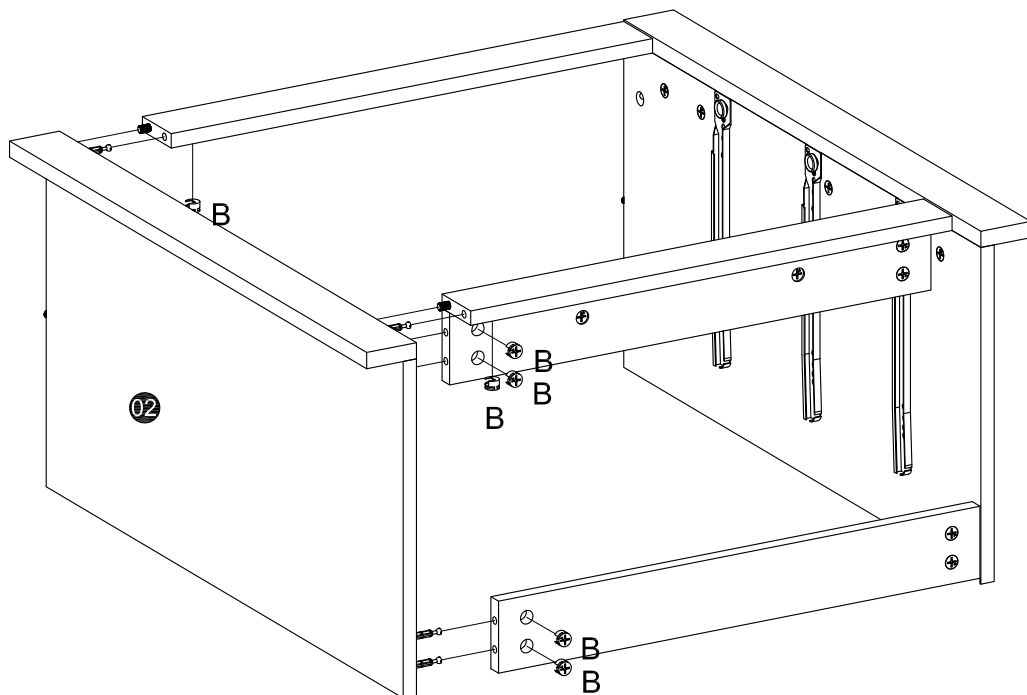


06

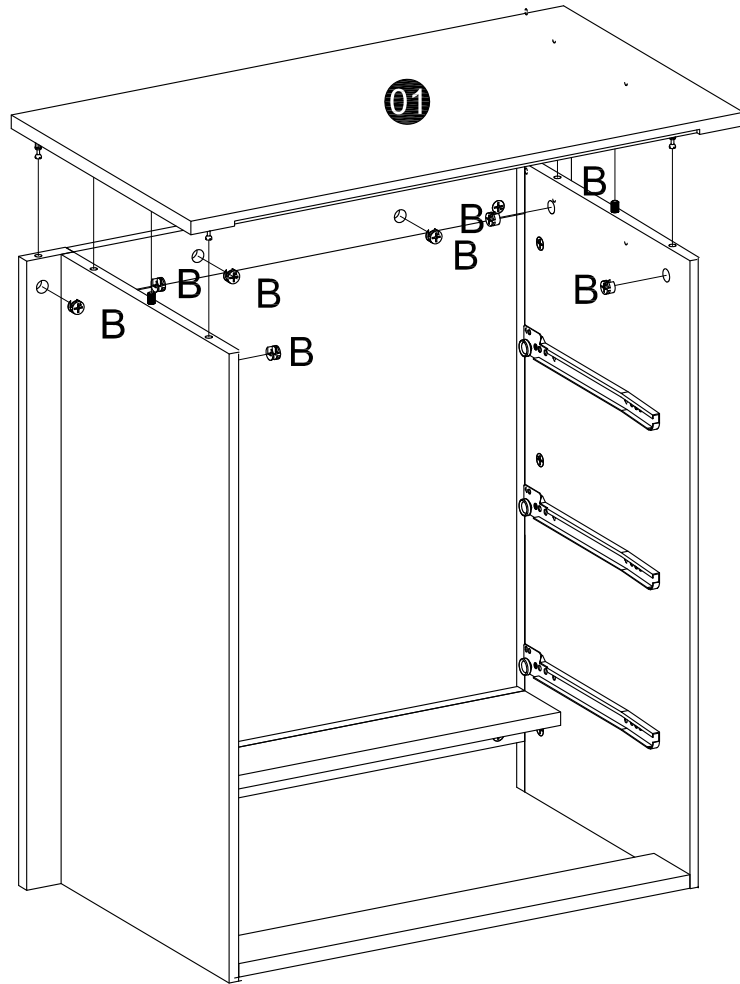
B CAM lock x6



Ø15x11mm



07

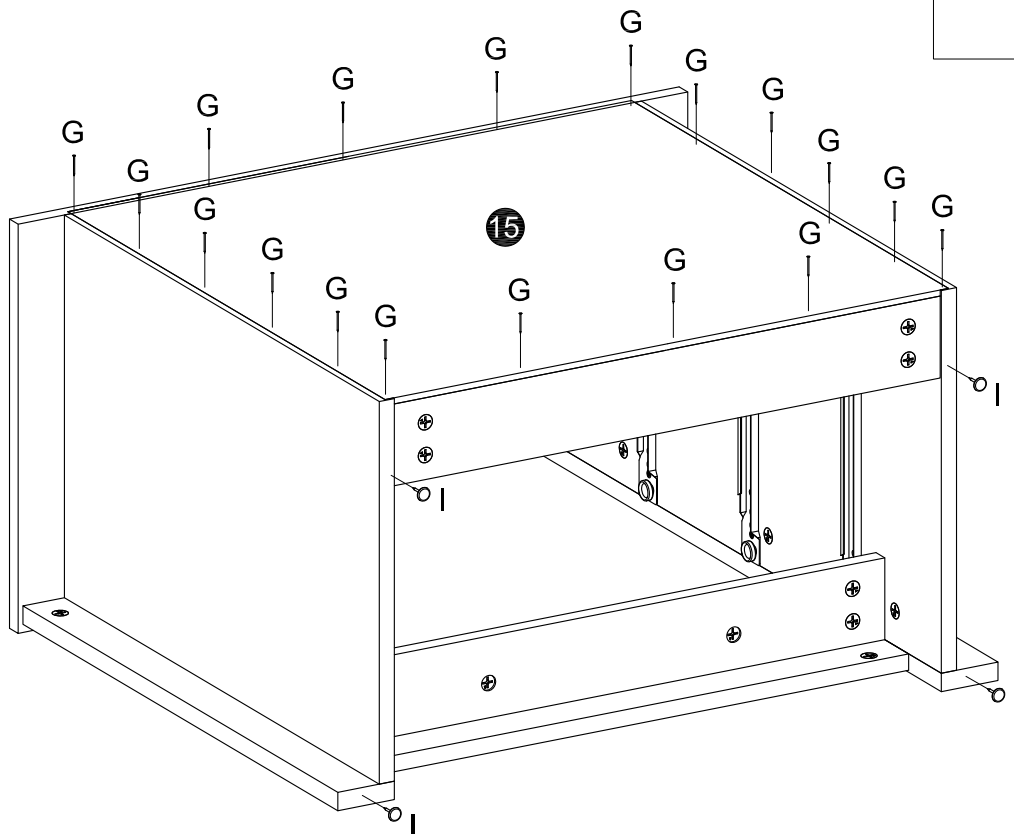


B CAM lock x8



Ø15x11mm

08



G Nail



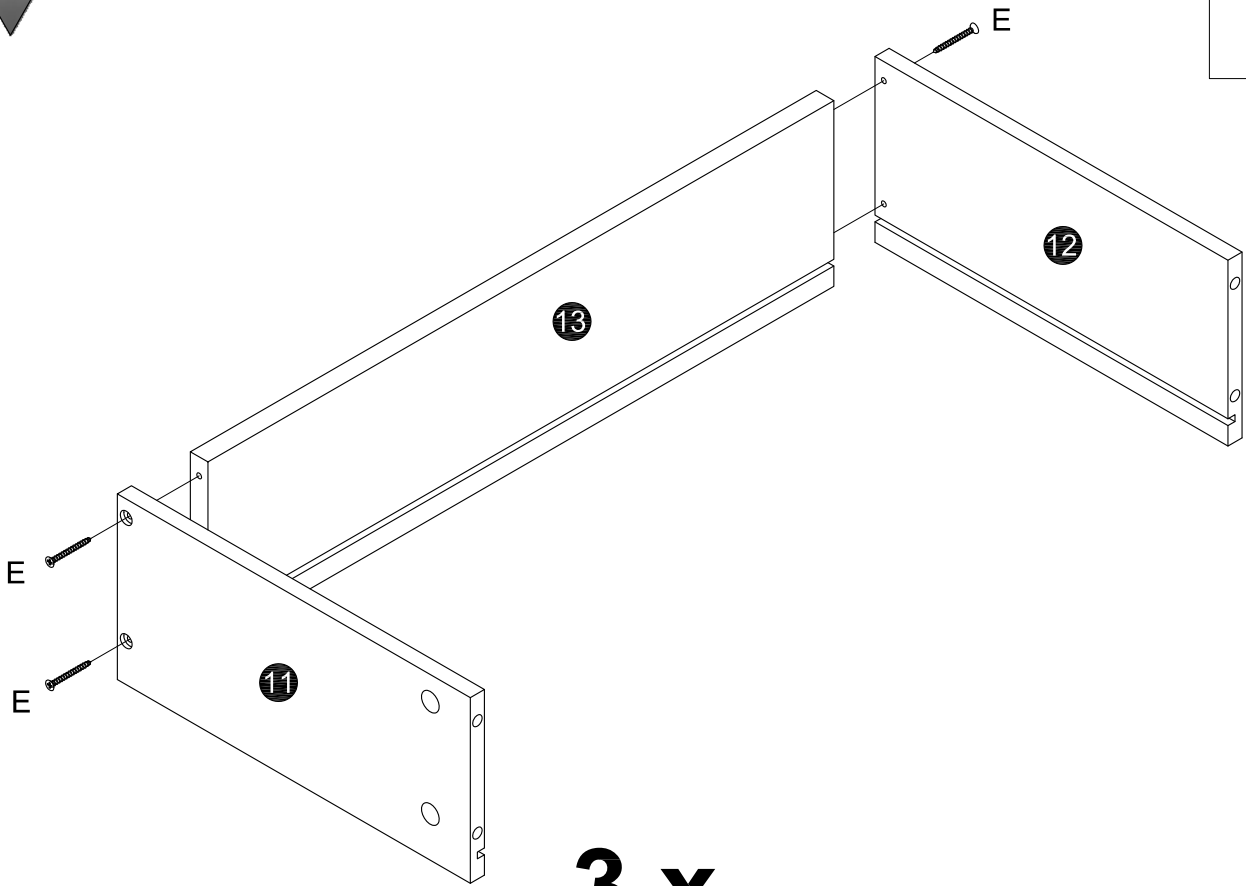
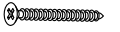
I Nail leg



x4

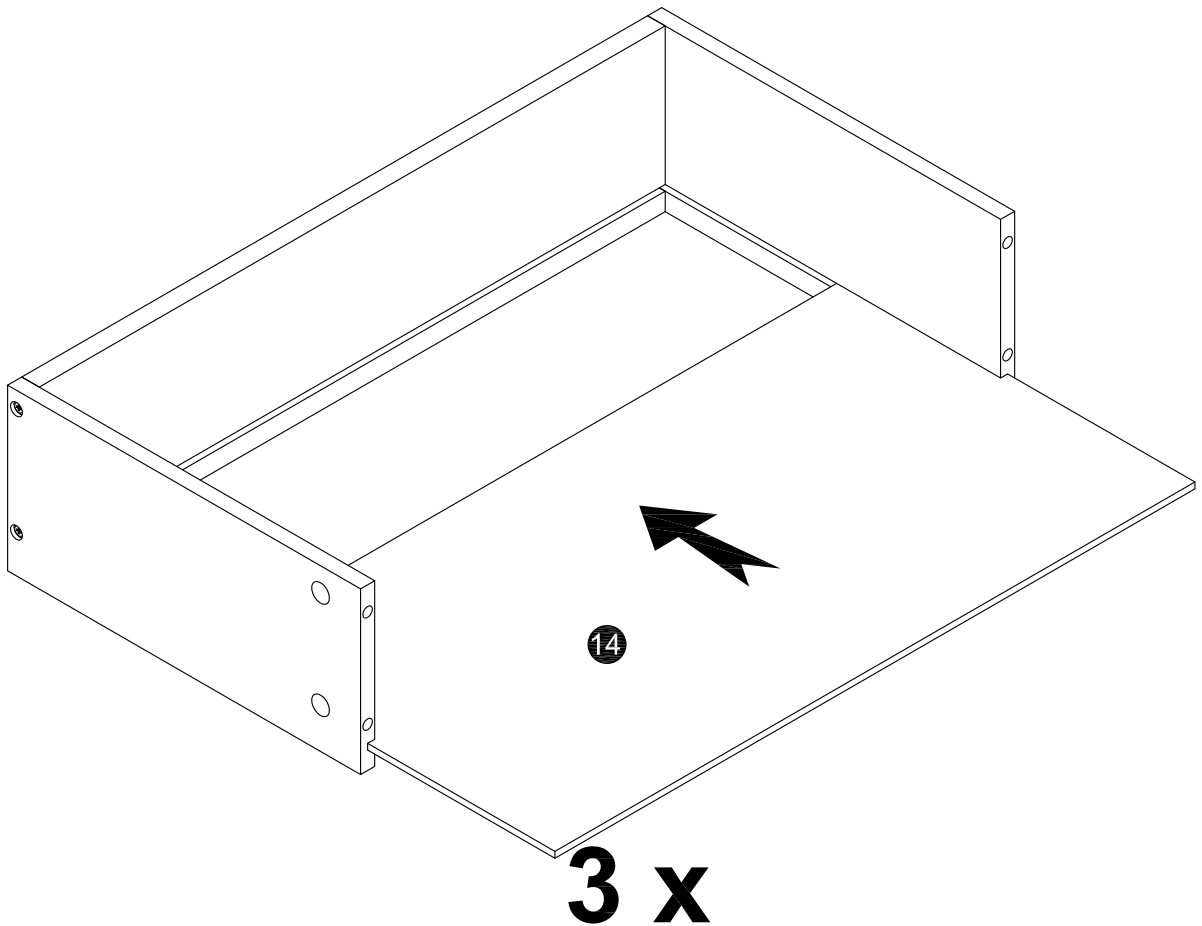
09

E Screw $\varnothing 3.5 \times 35$
x12



3 x

10



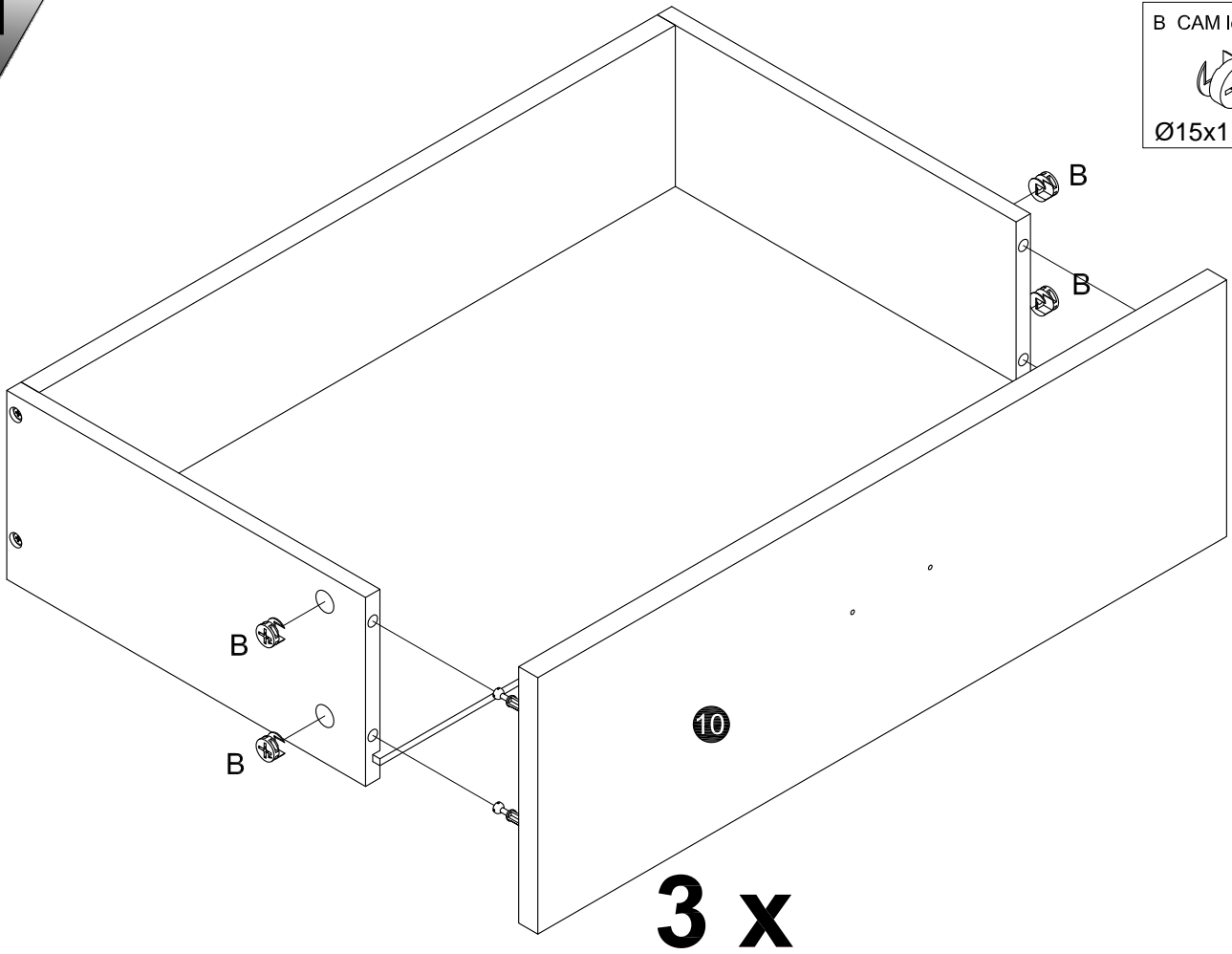
3 x

11

B CAM lock x12



Ø15x11mm

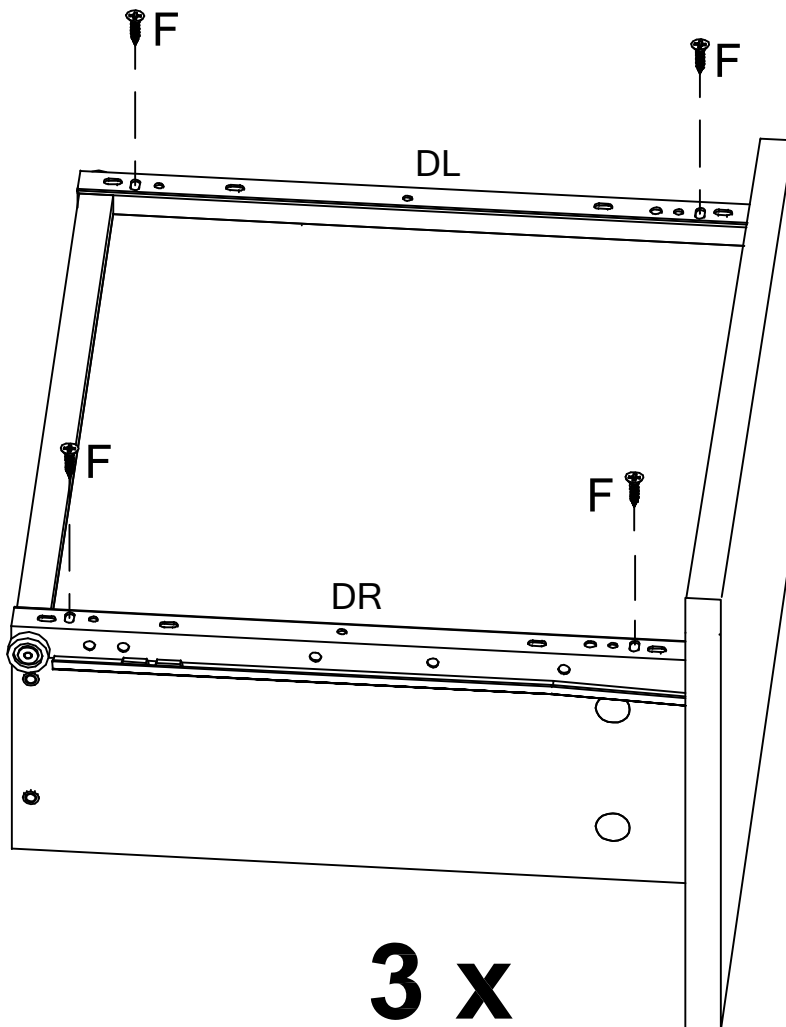


12

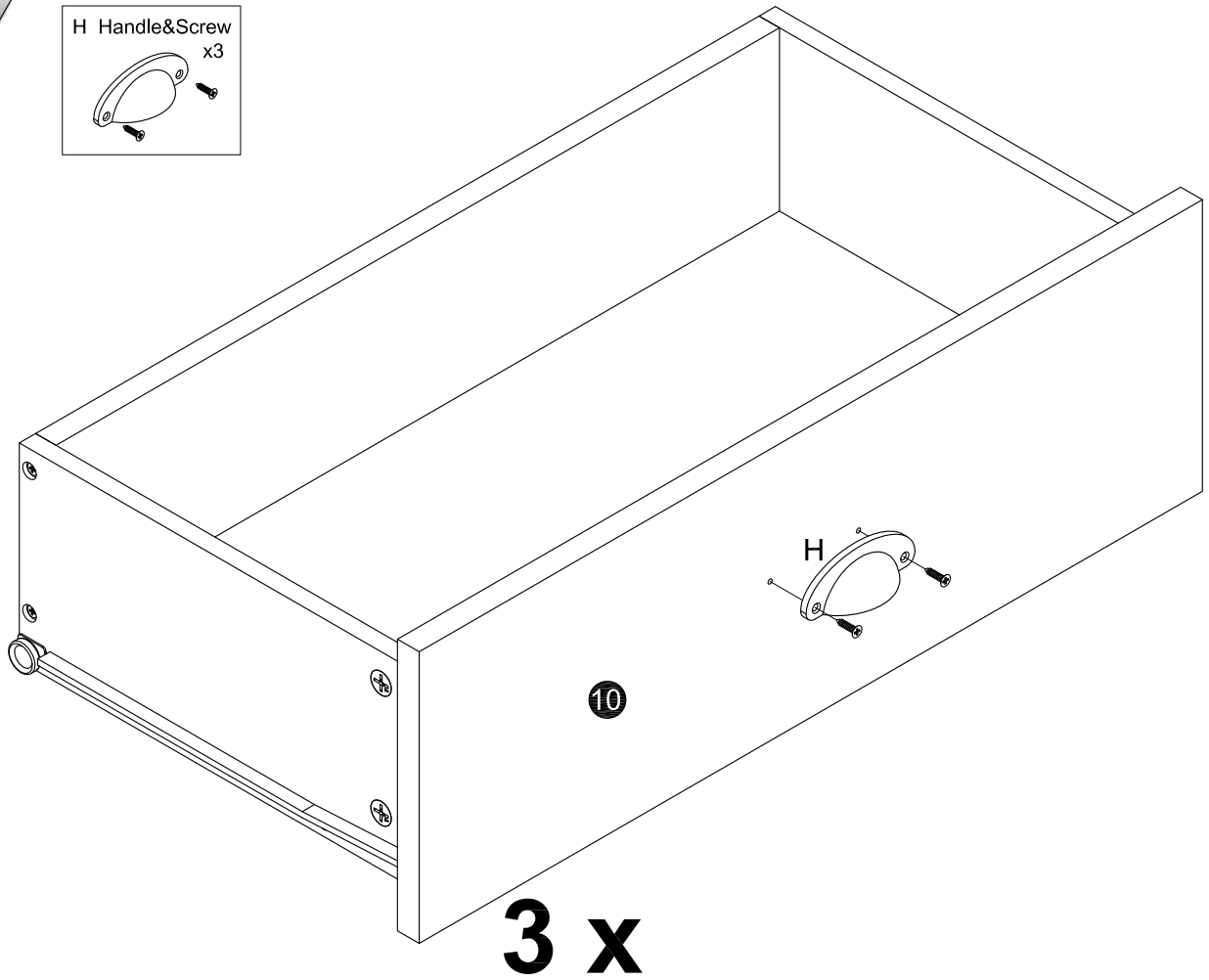
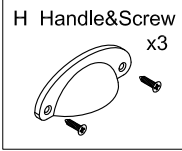
F Screw Ø3.5x14
x12



D Drawer rail x3



13



14

