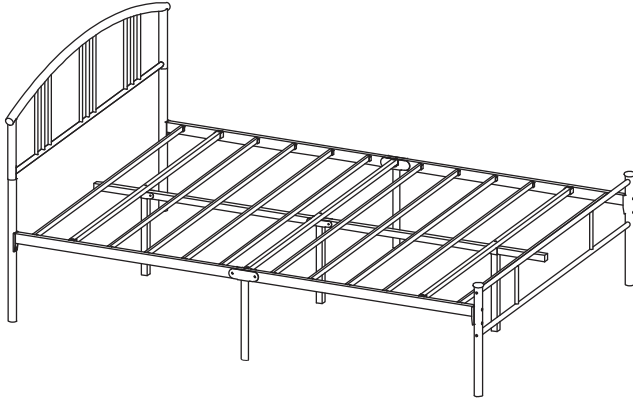
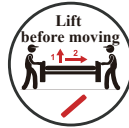
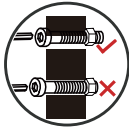


Installation & Assembly



Bed Frame

CAUTION!



Assembly Guide

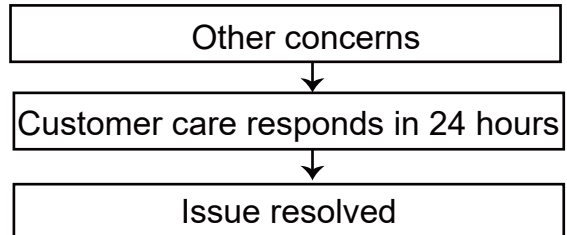
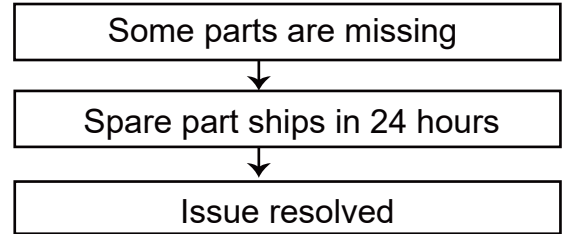
Tip!

DO check for all the components and screws listed in this guide before putting things together. If any part is missing, for the missing part.

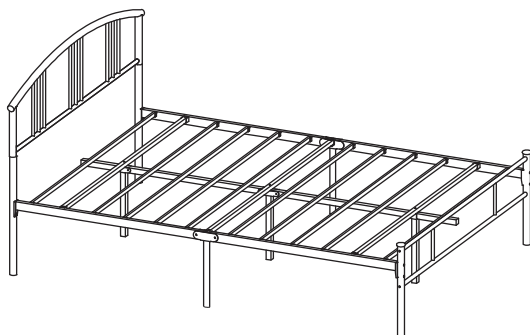
Return Policy

Your satisfaction is our top priority. If our product fails to satisfy you, please let us know how we can make things right for you. Our trained customer care team can handle most concerns and assist you with any questions you may have. Simply shoot them a message at with your order number and question. To be eligible for a full-refund return, the item must be in pristine condition, in the original packaging, with all of the shipped components intact and not yet assembled, and with the item's unique proof of purchase.

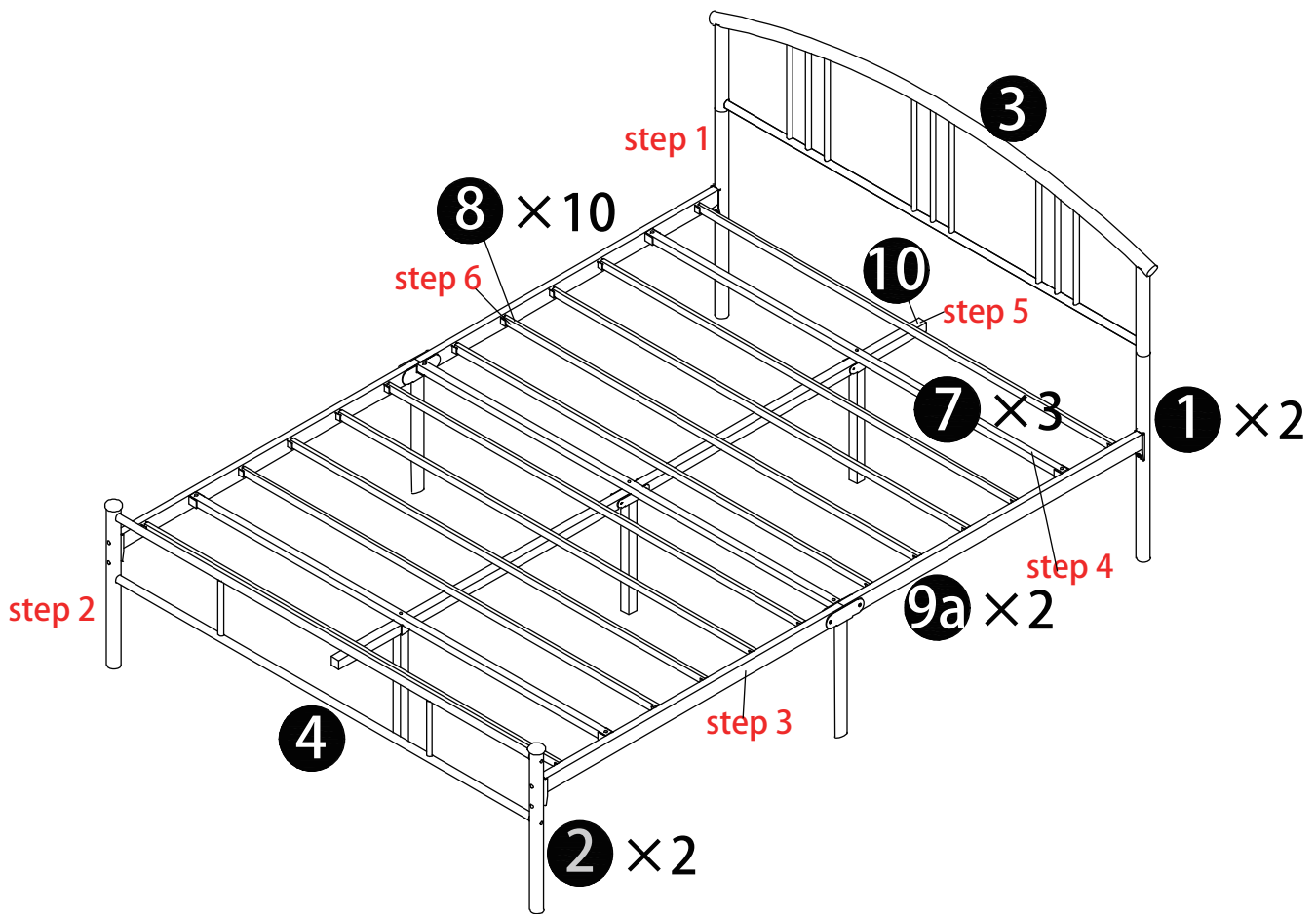
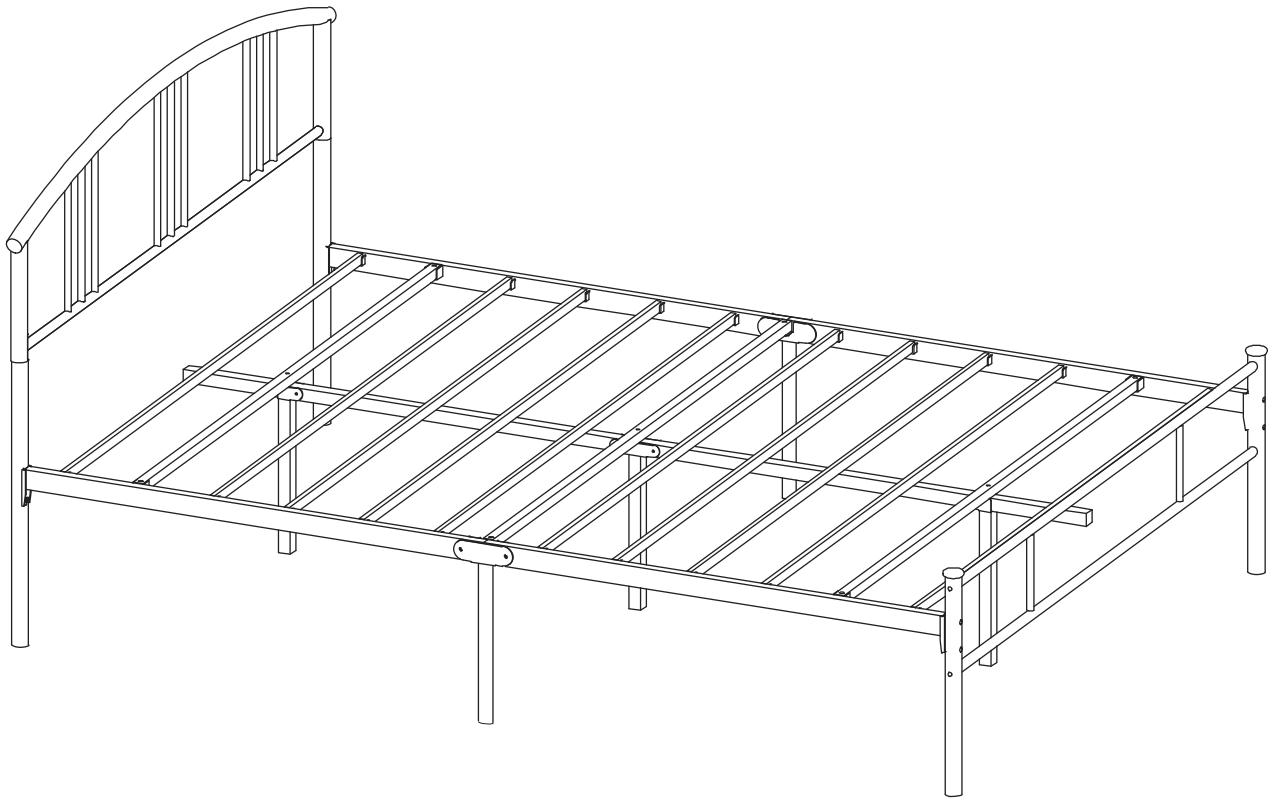
Trouble shooting:

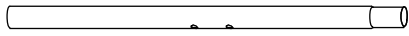
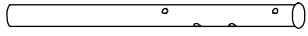
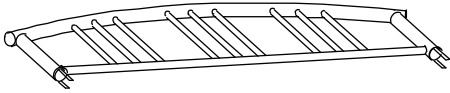

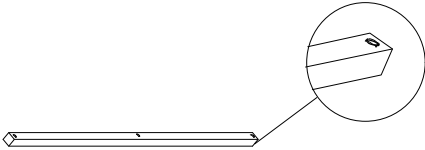
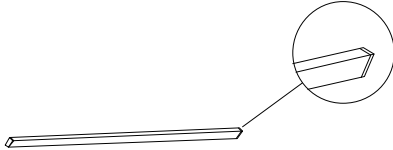
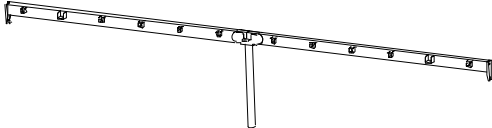
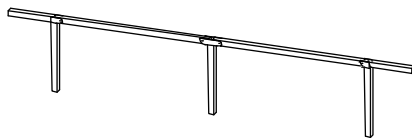


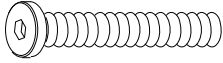
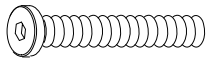
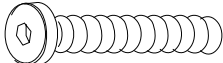

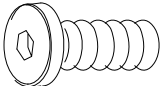
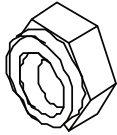
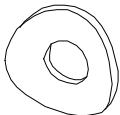

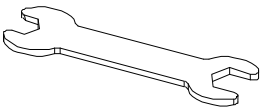
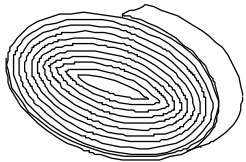
We run our own manufacturer, so rest assured about the quality consistency.



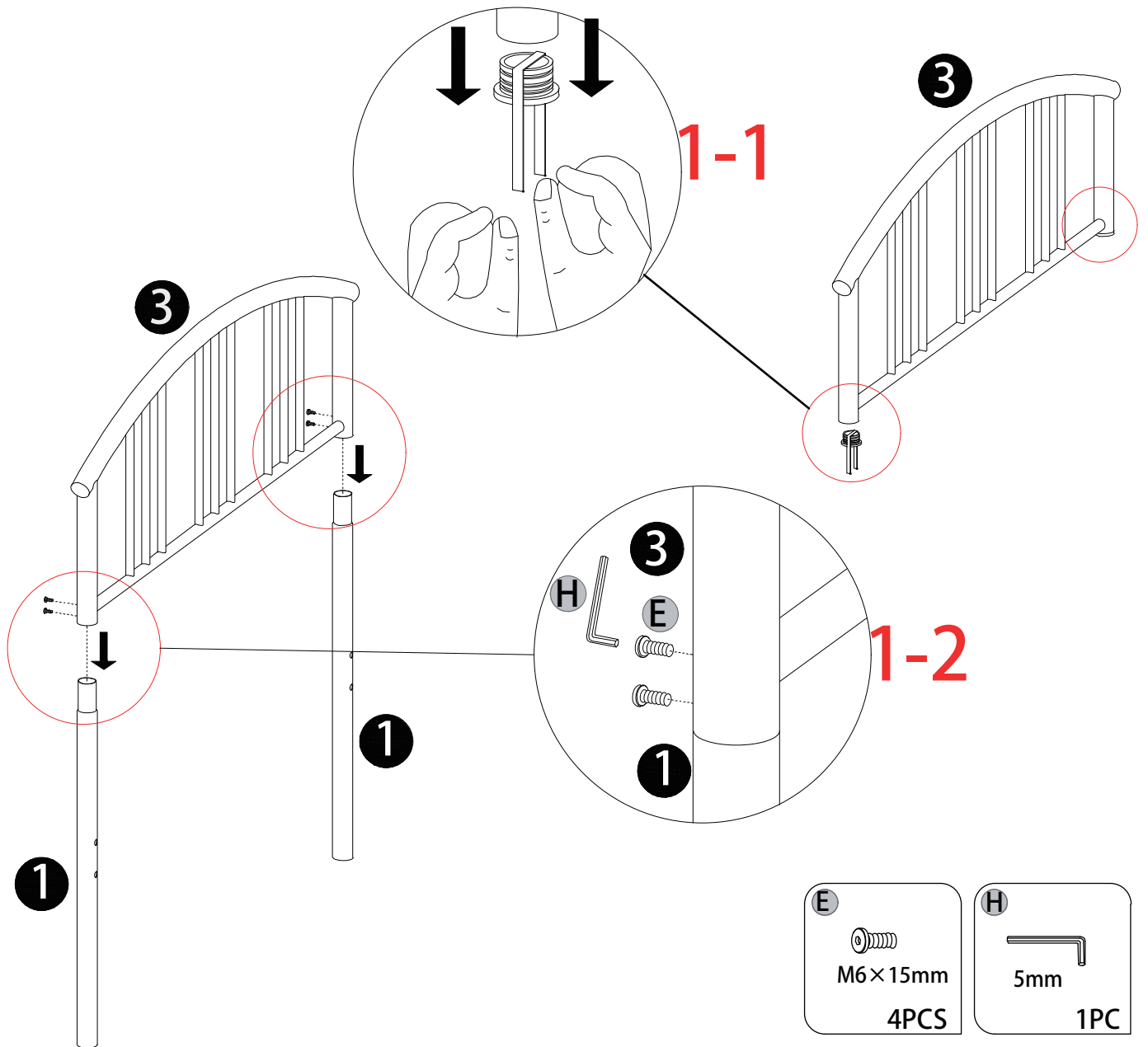
Item Description: Bed Frame



<p>1</p>		<p>2pcs</p>	<p>2</p>		<p>2pcs</p>
<p>3</p>		<p>1pc</p>	<p>4</p>		<p>1pc</p>
<p>7</p>	 <ul style="list-style-type: none"> ● With Screw Holes ★ Mit Schraubenlöchern ▲ Avec trous de vis 	<p>3pcs</p>	<p>8</p>	 <ul style="list-style-type: none"> ● Without Screw Holes ★ Ohne Schraubenlöcher ▲ Sans trous de vis 	<p>10pcs</p>
<p>9a</p>		<p>2pcs</p>	<p>10</p>		<p>1pc</p>

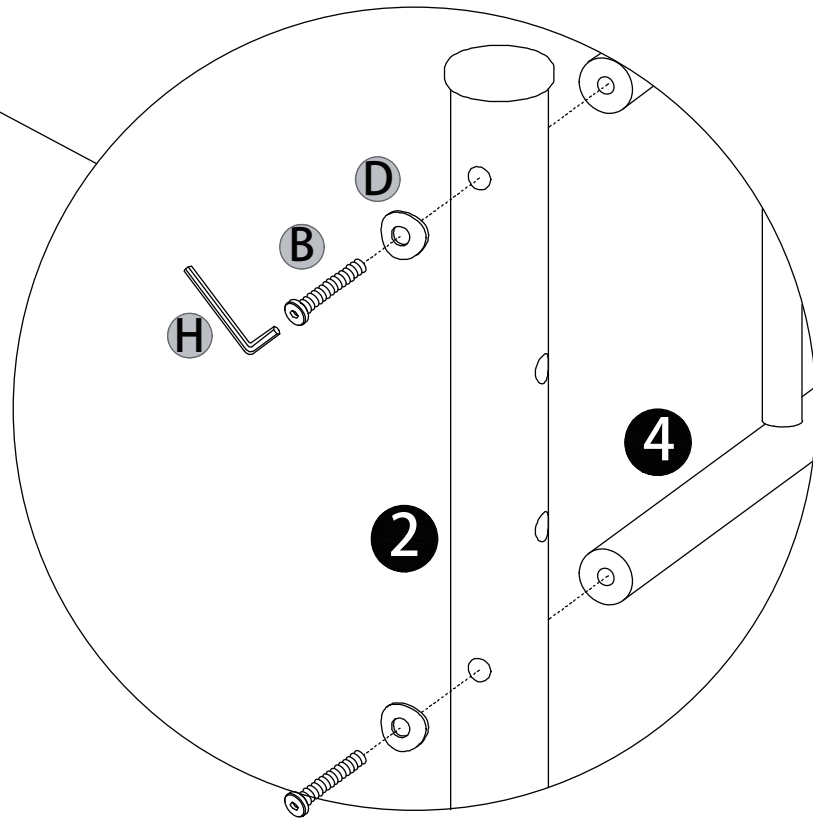
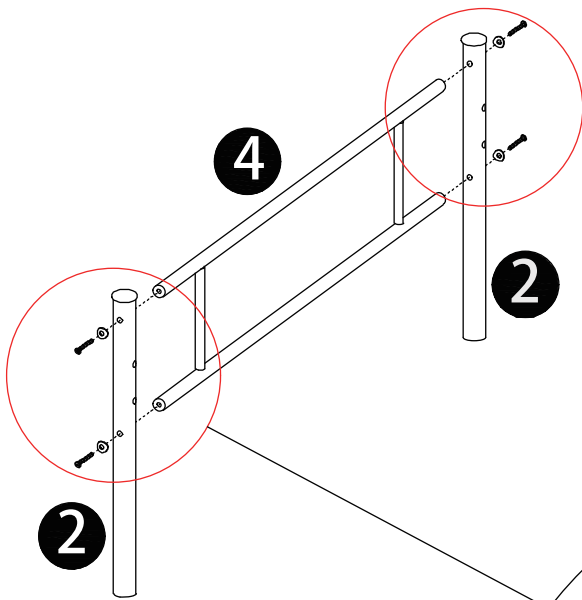
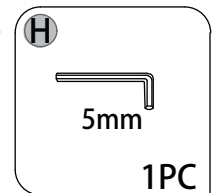
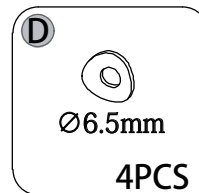
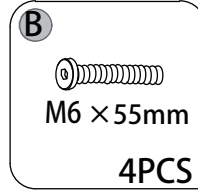
<p>A</p>	 <p>M8 x 50mm</p>	<p>8pcs</p>	<p>B</p>	 <p>M6 x 55mm</p>	<p>7pcs</p>
<p>C</p>	 <p>M6 x 30mm</p>	<p>6pcs</p>	<p>D</p>	 <p>Ø6.5mm</p>	<p>4pcs</p>
<p>E</p>	 <p>M6 x 15mm</p>	<p>4pcs</p>	<p>F</p>	 <p>M8</p>	<p>4pcs</p>
<p>G</p>	 <p>Ø8.5mm</p>	<p>8pcs</p>	<p>H</p>	 <p>5mm</p>	<p>1pc</p>
<p>I</p>		<p>1pc</p>	<p>N</p>		<p>1pc</p>

Step 1

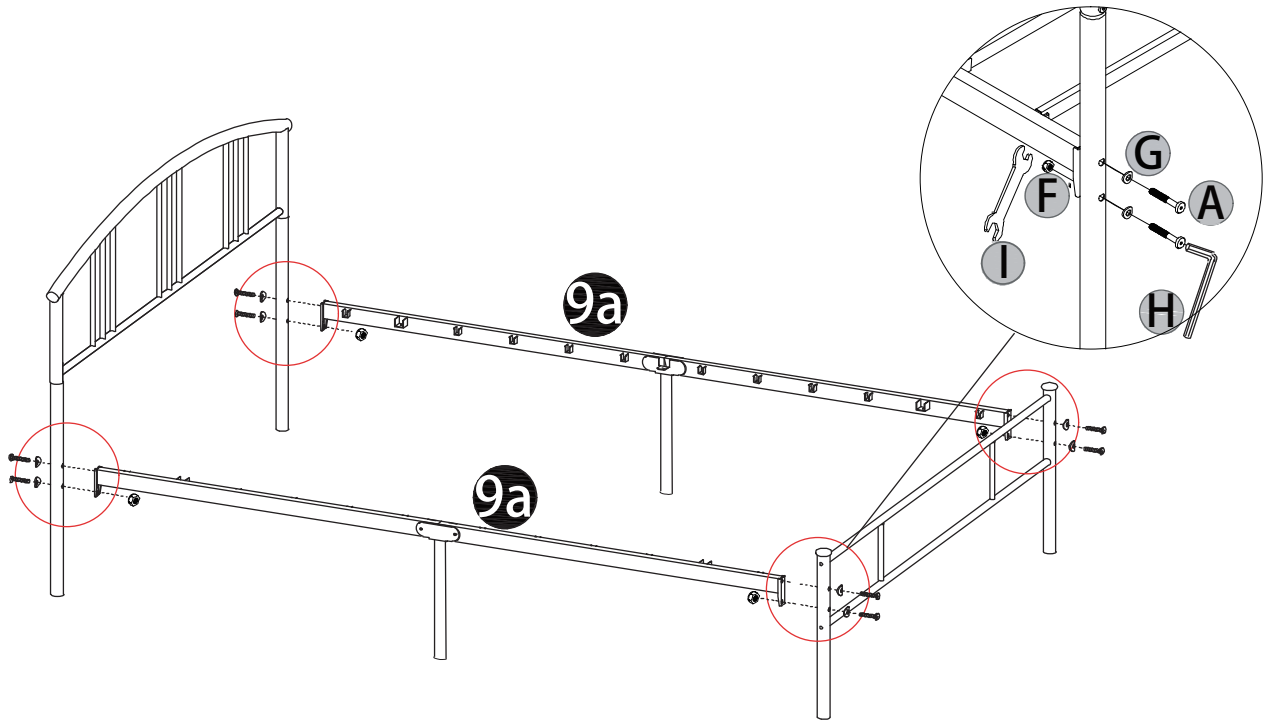
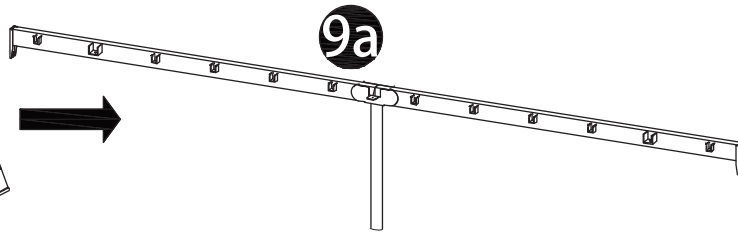
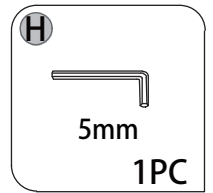
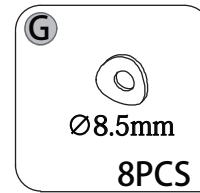
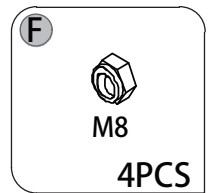
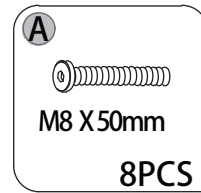
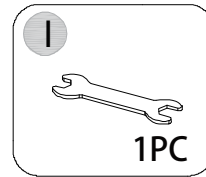
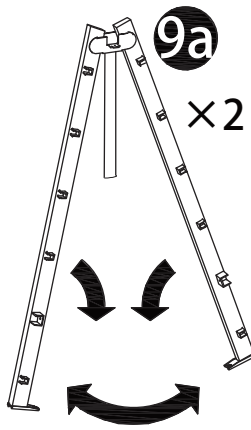


- Note: For easy setup, do not tighten screws during the installation process.
- ★ Hinweis: Um die Installation zu erleichtern, ziehen Sie die Schrauben während des Installationsprozesses nicht vollständig fest.
- ▲ Remarque : Pour faciliter le montage, ne serrez pas les vis à fond pendant l'installation.

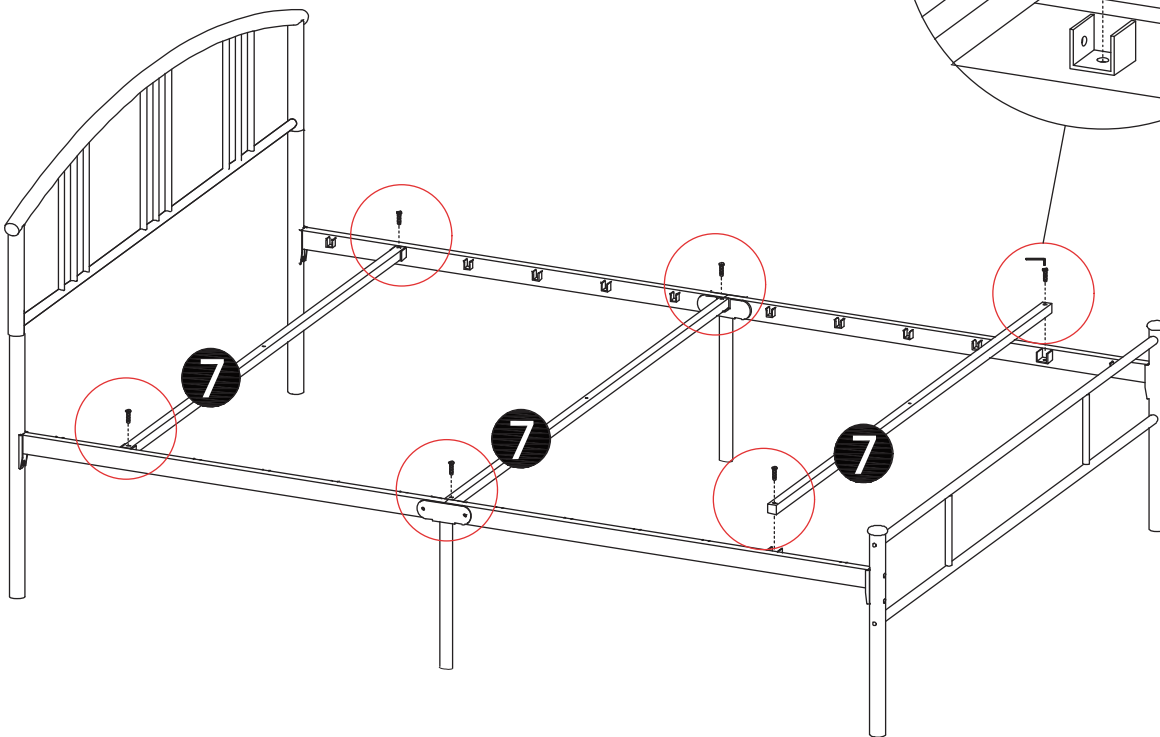
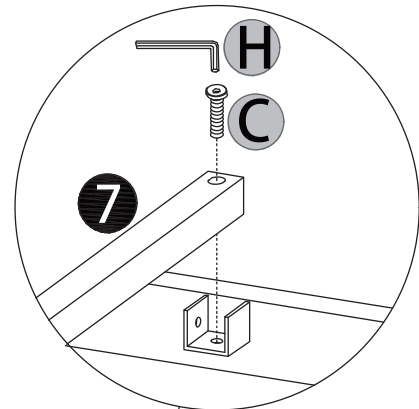
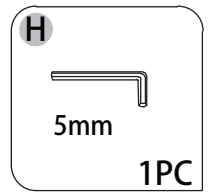
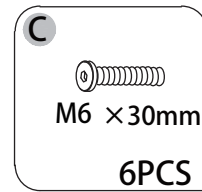
Step 2



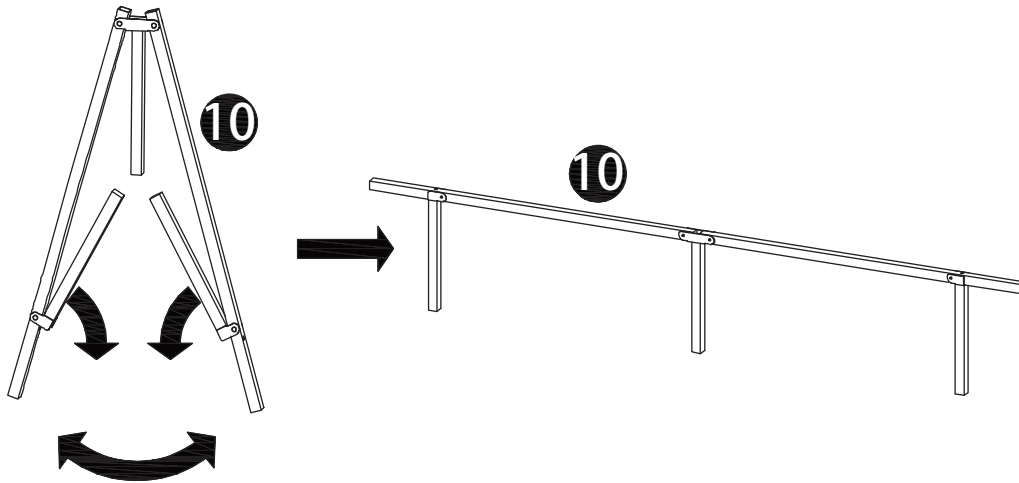
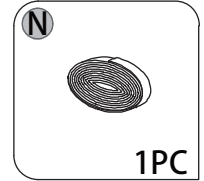
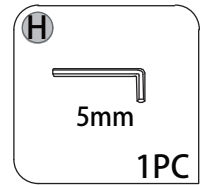
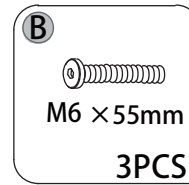
Step 3



Step 4

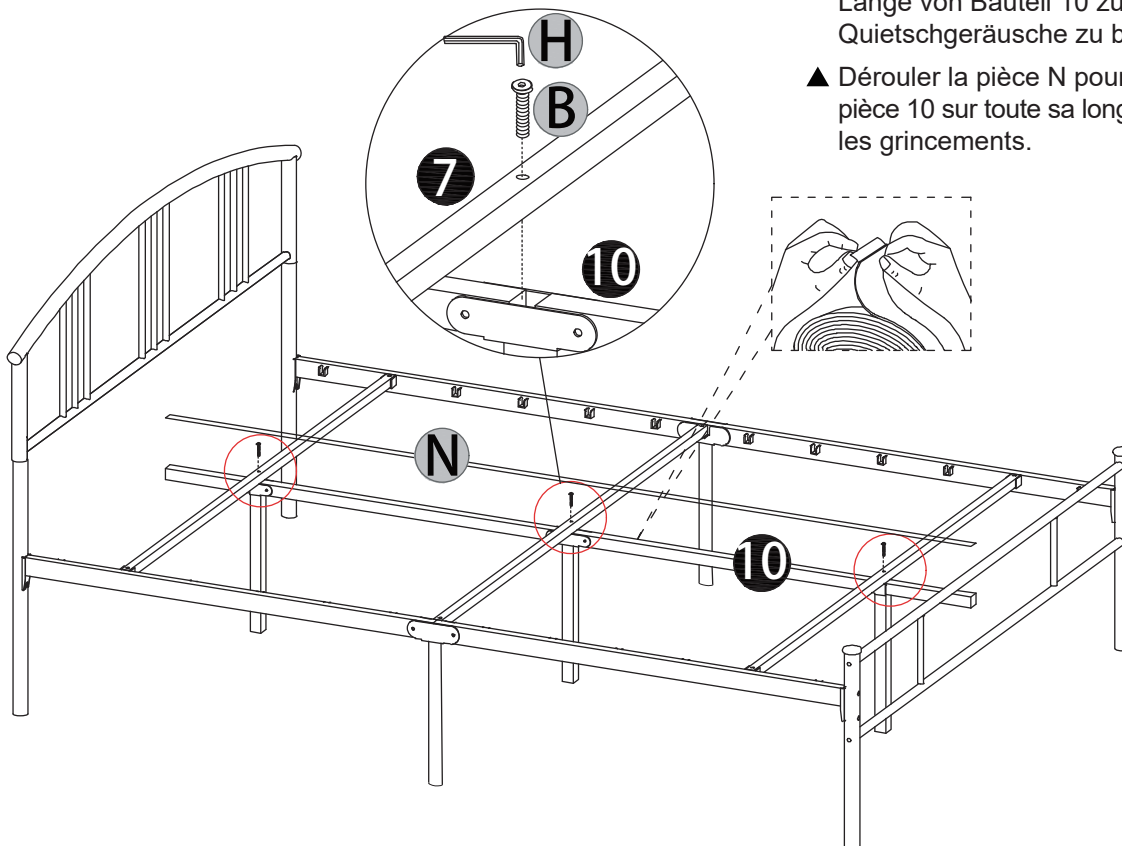


Step 5

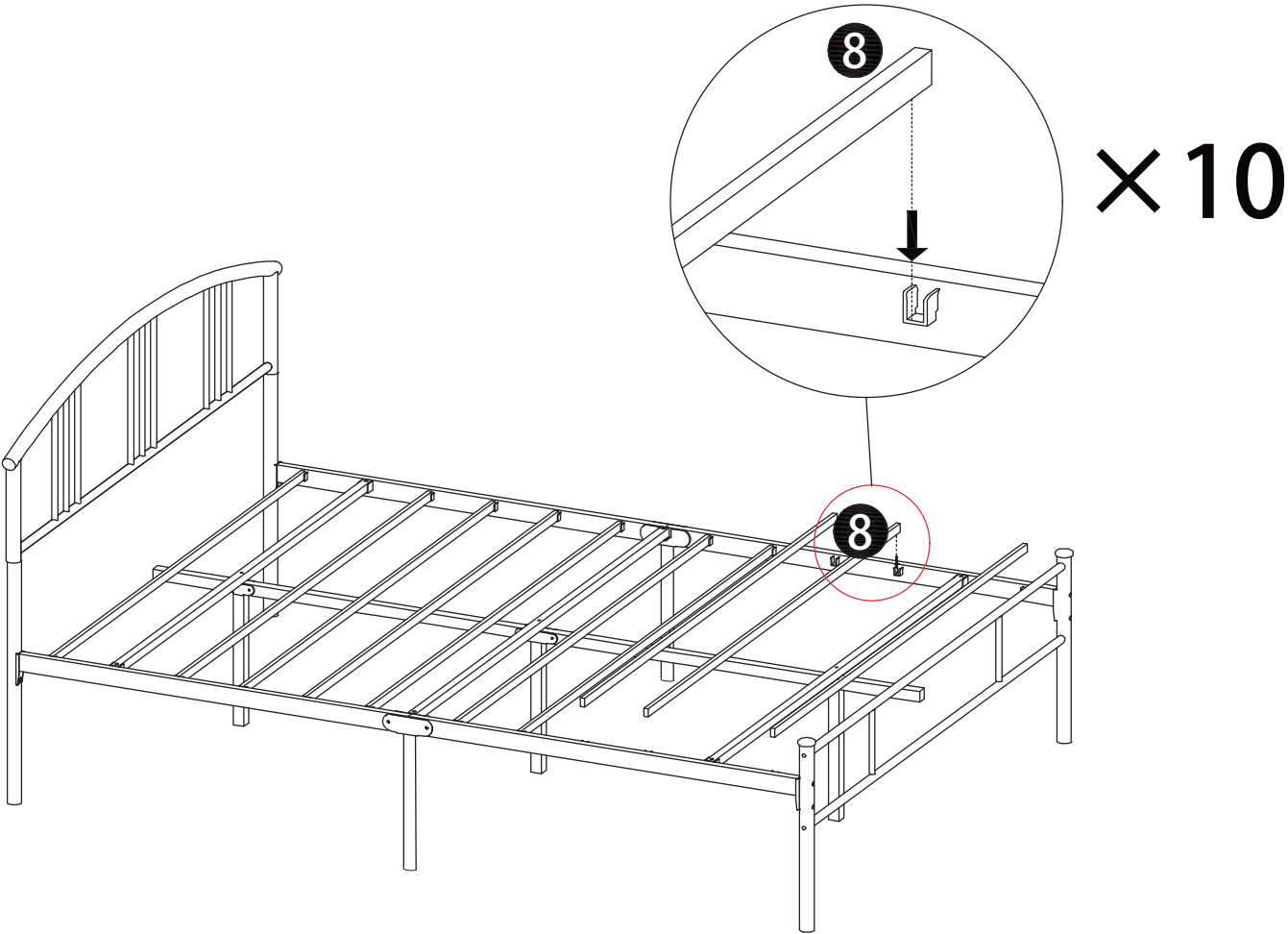


- Tighten screw B
- ★ Schraube B festziehen
- ▲ Serrer la vis B.

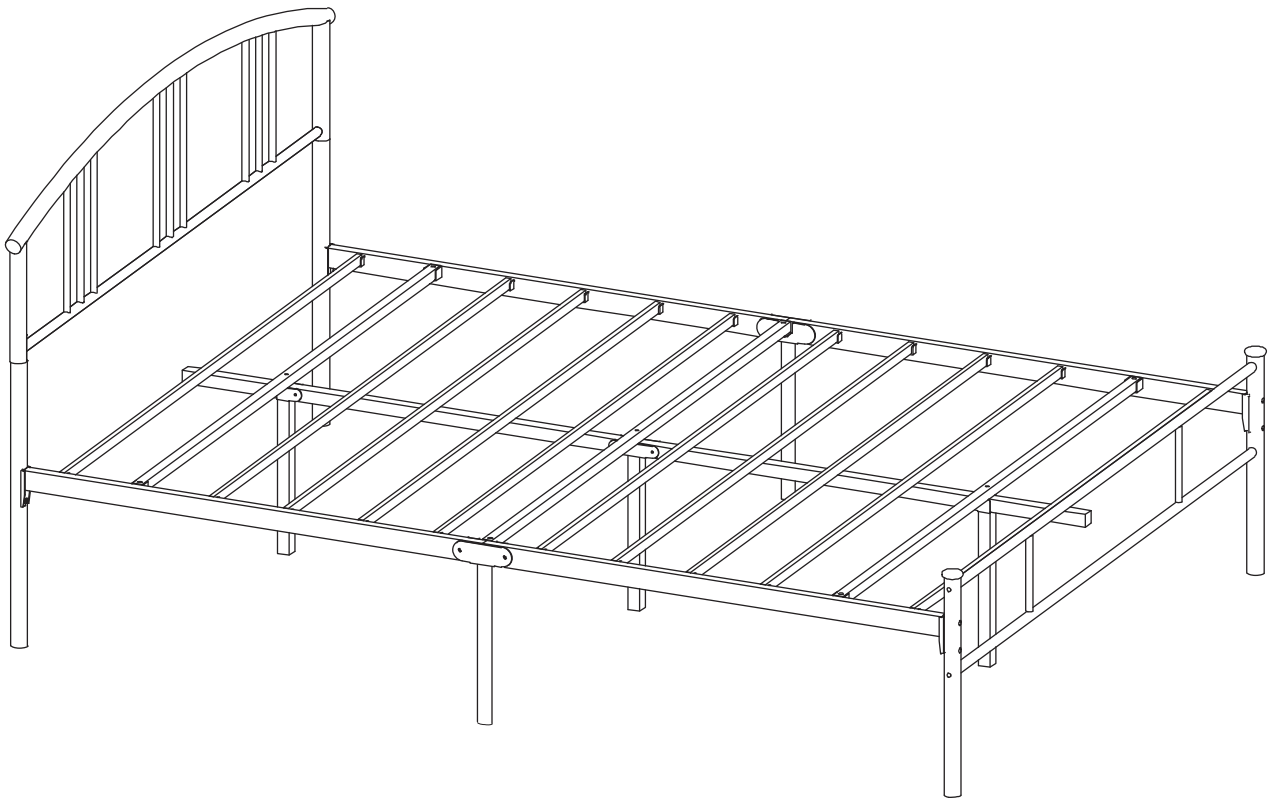
- Unroll part N to pad the entire length of part 10 to eliminate squeaks
- ★ Rollen Sie Bauteil N aus, um die gesamte Länge von Bauteil 10 zu polstern und somit Quietschgeräusche zu beseitigen.
- ▲ Dérouler la pièce N pour rembourrer la pièce 10 sur toute sa longueur afin d'éliminer les grincements.



Step 6



Step 7



- Note: Now remember to double check all screws are properly fastened
- ★ Hinweis: Vergessen Sie jetzt nicht, zu überprüfen, ob alle Schrauben richtig angezogen sind.
- ▲ Remarque : N'oubliez pas de vérifier que toutes les vis sont bien serrées.