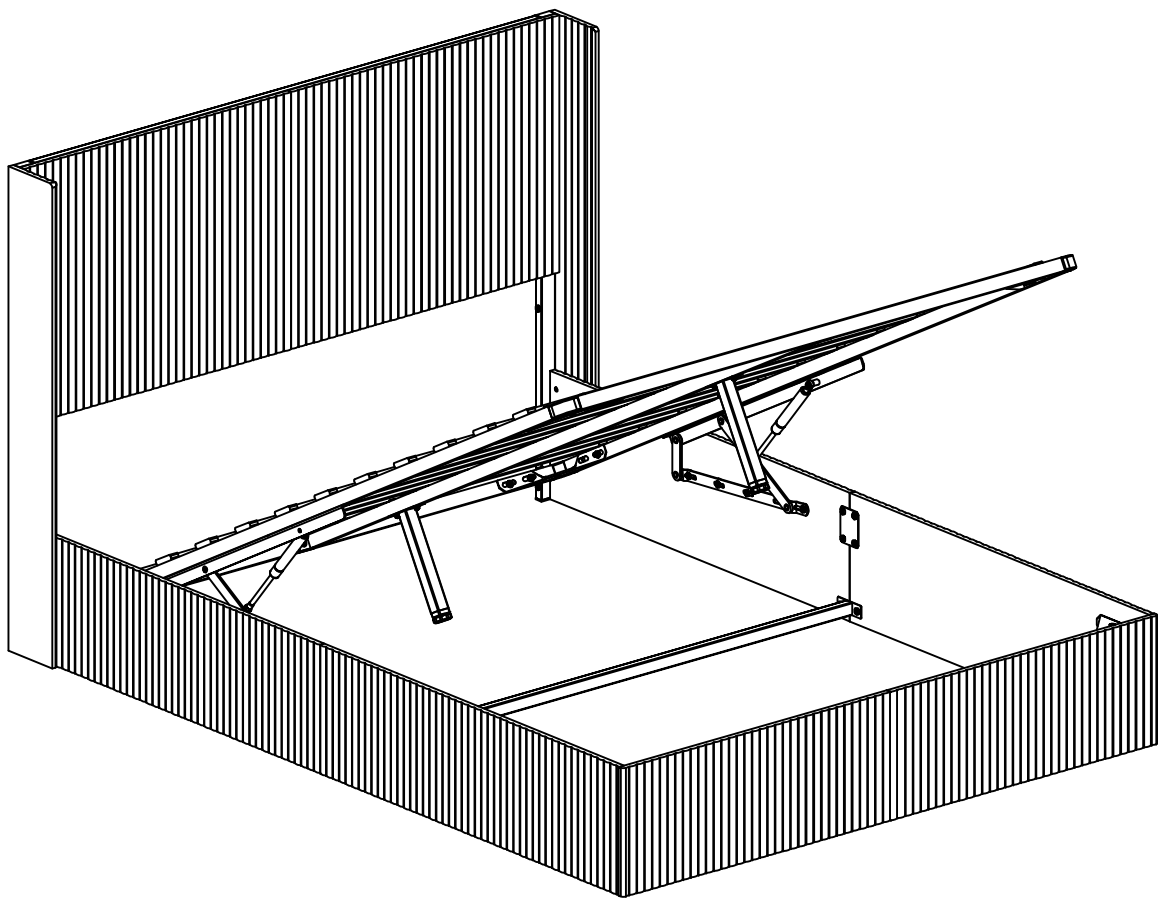


# Instruction manual

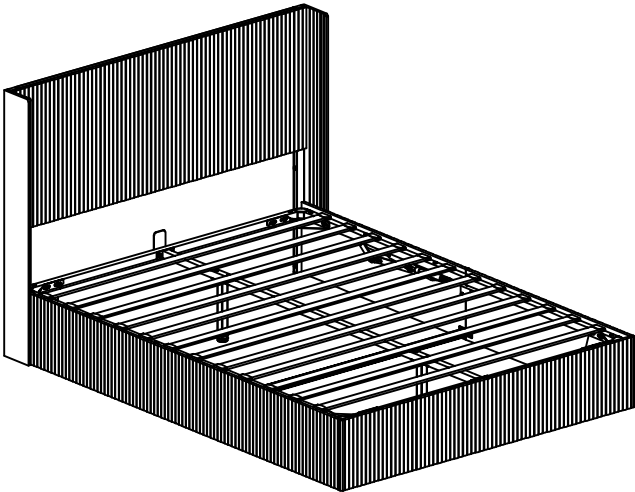


## TIPS

1. Please read the instructions fully before assembly. These instructions include important information which could ensure correct assembly. We have been working on providing high quality products for you. However, in the rare instance that your product is defective, missing parts or there are some issues, please don't hesitate to contact our customer service to submit parts requirements, assembly suggestion or warranty claims, and we will give the best solution as soon as possible. If necessary, we need you to provide some more clear pictures of the issue.

2. insert the screws in holes and tighten the screws, but not too tight, 70%~80% is ok, finally tighten all the screws. If some issues happened that some screws cannot target to the hole or some parts are difficult to install, please adjust the tightness of the screws.

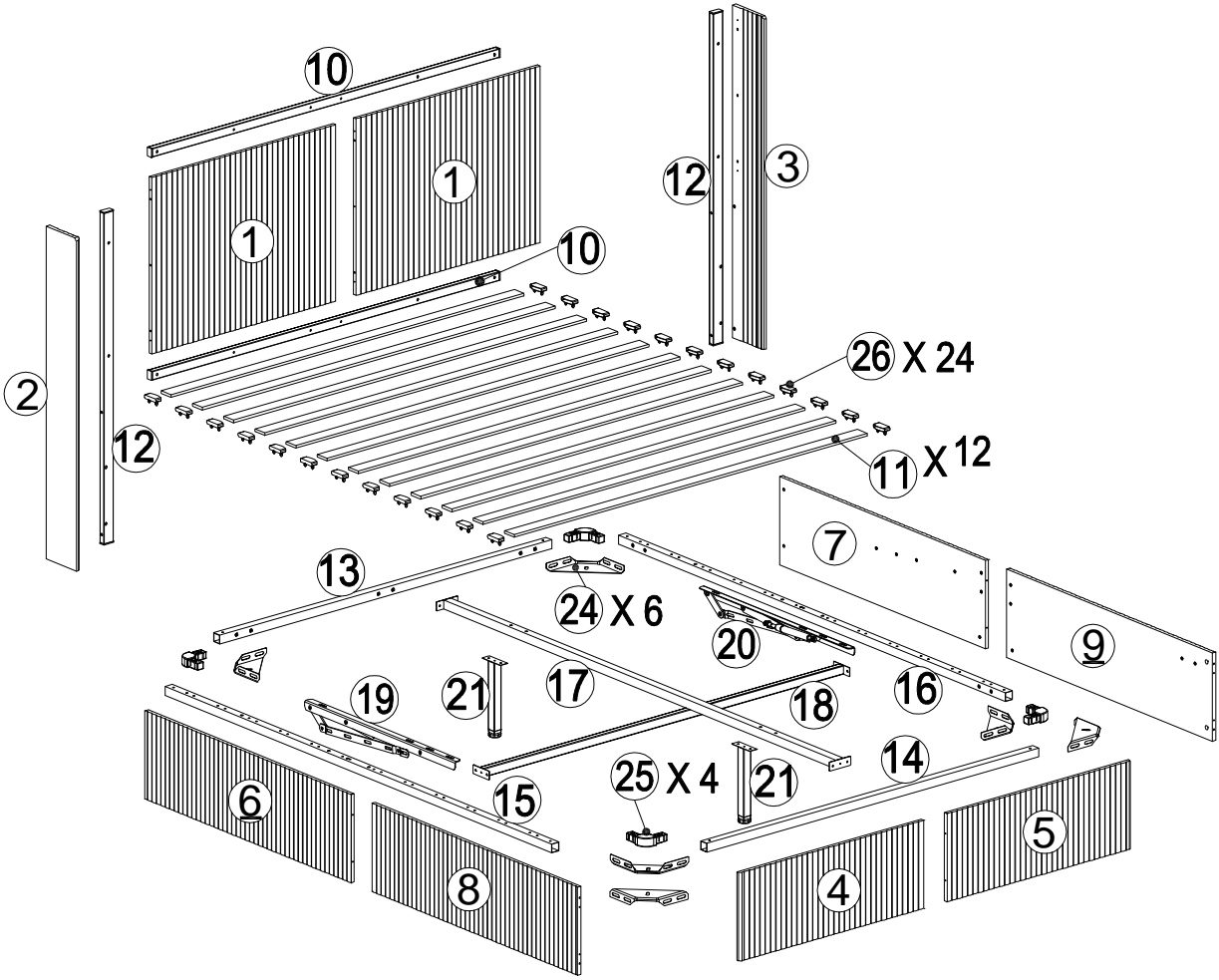
3. 2 people are recommended to finish



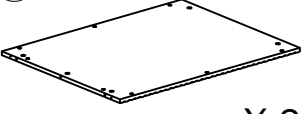

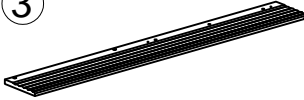
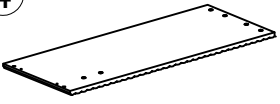
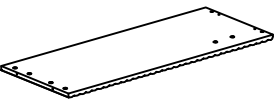
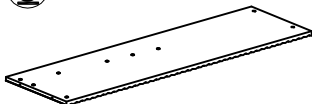
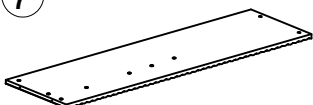
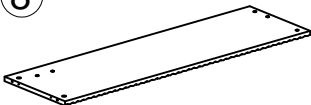



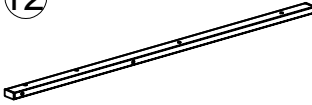






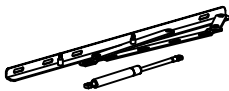
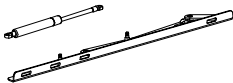



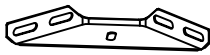
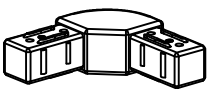

**⚠ WARNING**  
**CHOKING HAZARD- Small parts.**  
Not for children under 3 yrs.  
Assembled by an adult.

**⚠ Installation suggestion: 1-2 people**


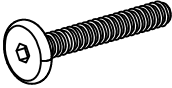
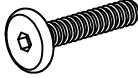



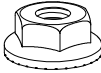
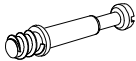
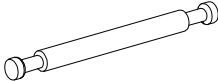
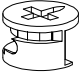
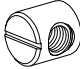

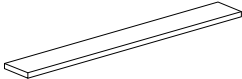
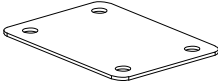
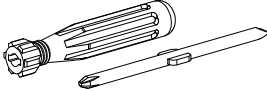
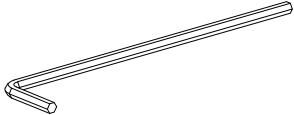

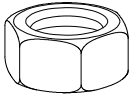

# Components



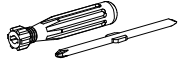
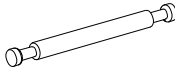


# Hardware

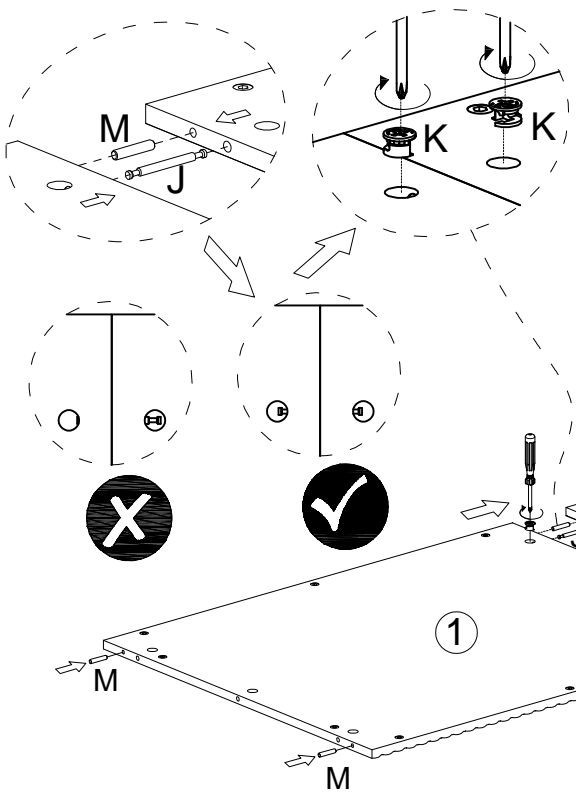
①  X 2	②  X 1	③  X 1	④  X 1
⑤  X 1	⑥  X 1	⑦  X 1	⑧  X 1
⑨  X 1	⑩  X 2	⑪  X 12	⑫  X 2
⑬  X 1	⑭  X 1	⑮  X 1	⑯  X 1
⑰  X 1	⑱  X 1	⑲  X 1	⑳  X 1
㉑  X 2	㉒  X 1	㉓  X 1	㉔  X 6
㉕  X 4	㉖  X 24+2		

# Hardware

<p>A M6 x 50</p>  <p>X 8+1</p>	<p>B M6 x 40</p>  <p>X 12+2</p>	<p>C M6 x 30</p>  <p>X 16+2</p>	<p>D M6 x 15</p>  <p>X 8+1</p>
<p>E M6 x 12</p>  <p>X 58+3</p>	<p>F Ø25 x 2</p>  <p>X 8+1</p>	<p>G M6 x 6</p>  <p>X 12+2</p>	<p>H M6 x 35</p>  <p>X 10+1</p>
<p>J Ø5 x 60</p>  <p>X 2</p>	<p>K Ø15 x 9.5</p>  <p>X 14+1</p>	<p>L Ø9.8 x 10.5</p>  <p>X 4</p>	<p>M Ø6 x 30</p>  <p>X 17+2</p>
<p>N 12 x 100</p>  <p>X 16+2</p>	<p>P 84 x 60*1.5</p>  <p>X 4</p>	<p>R</p>  <p>X 1</p>	<p>S M4</p>  <p>X 1</p>
<p>T 10 / 13</p>  <p>X 1</p>	<p>U M8 x 6</p>  <p>X 4+1</p>	<p>V 100 x 60 x 2</p>  <p>X 1</p>	

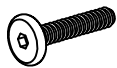

# 01

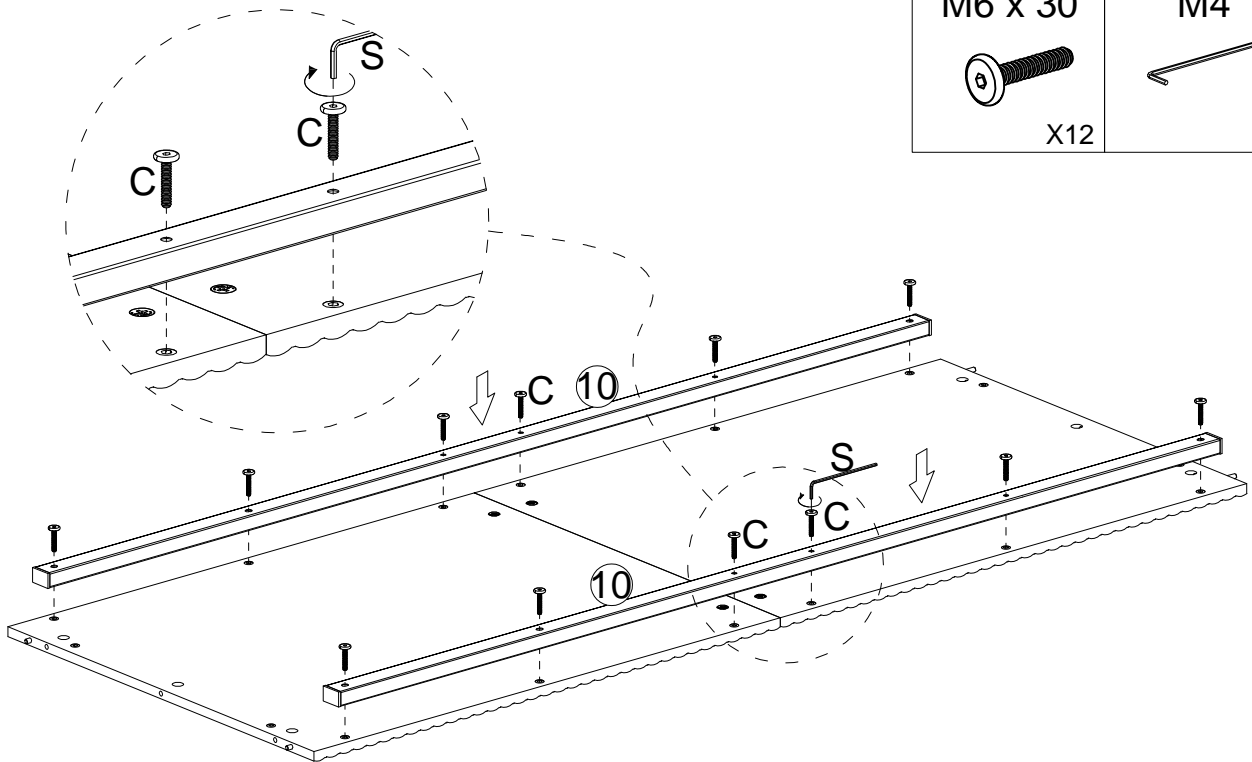
J	K	M	R
Ø5 x 60	Ø15 x 9.5	Ø6 x 30	
			X1
X2	X4	X7	




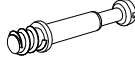
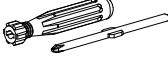
When the headboard vertical panels are closed , the distances on both sides of the double-headed part should be symmetrical . Place the three-in-one plate and lock the seams of the wooden panels clockwise at both ends .

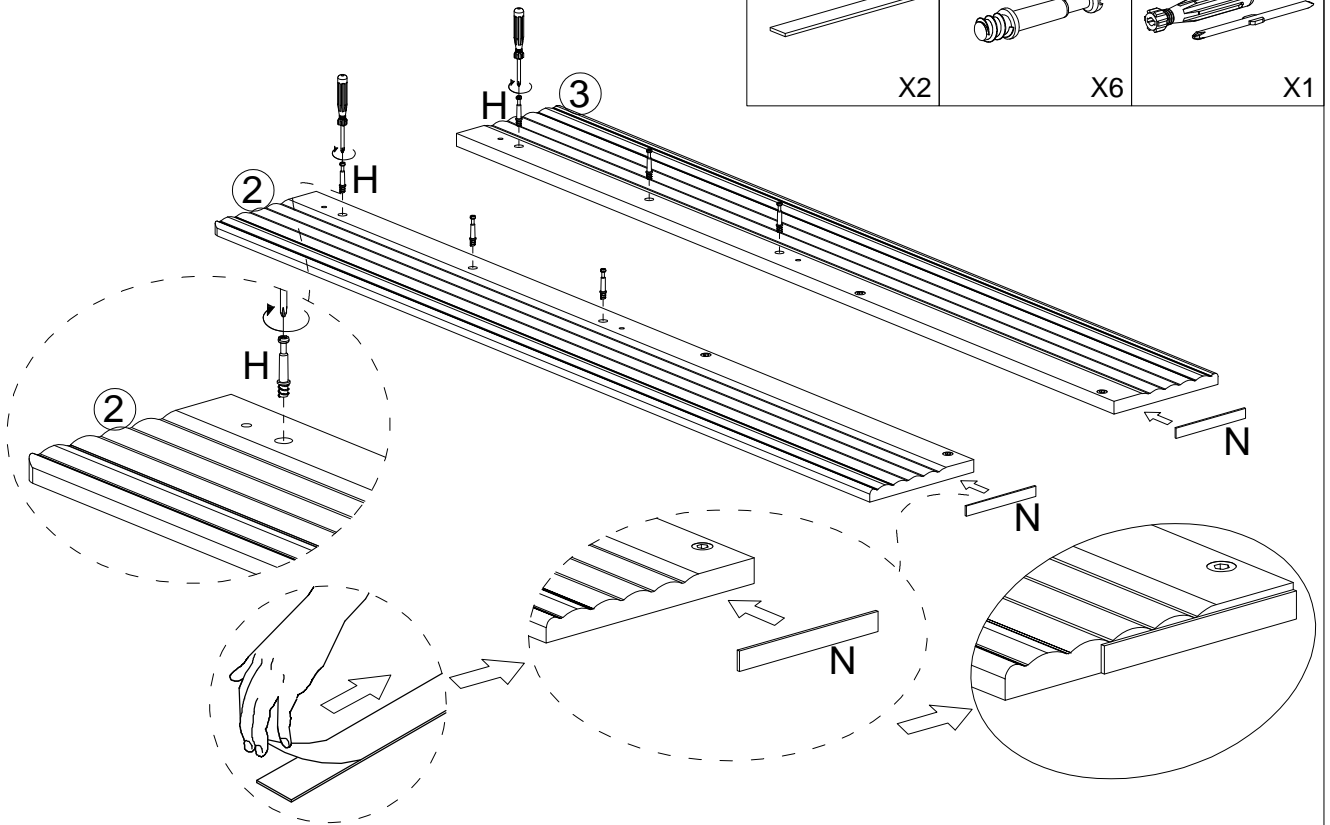
# 02

C	S
M6 x 30	M4
	
X12	X1


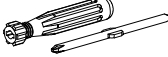


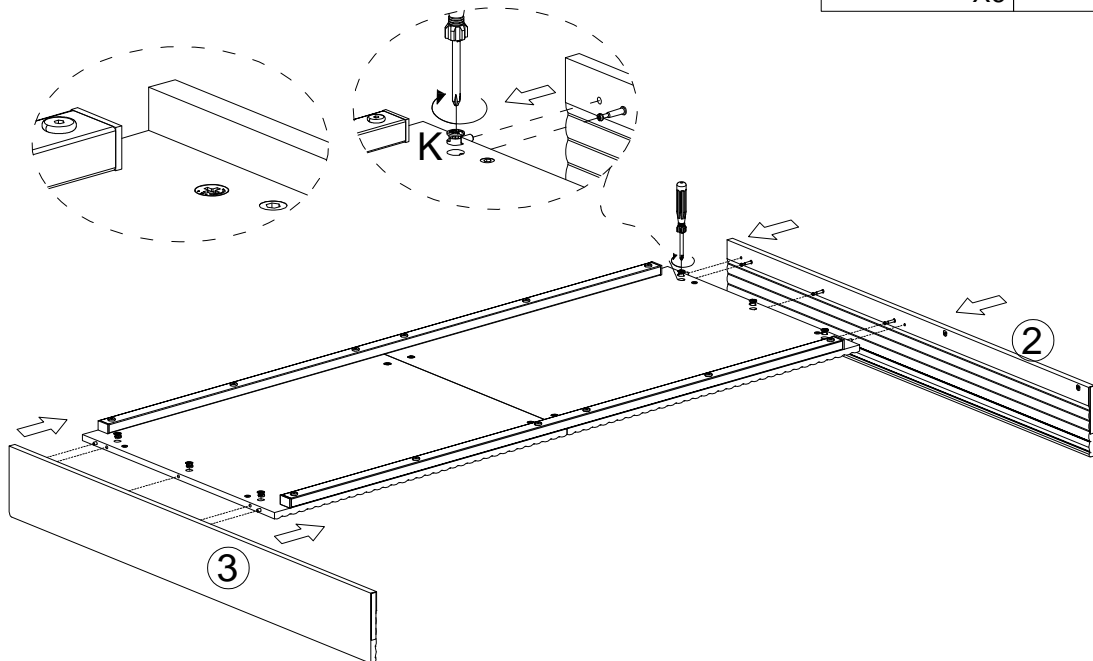
# 03

N	H	R
12 x 100 	M6 x 35 	
X2	X6	X1

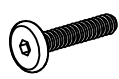



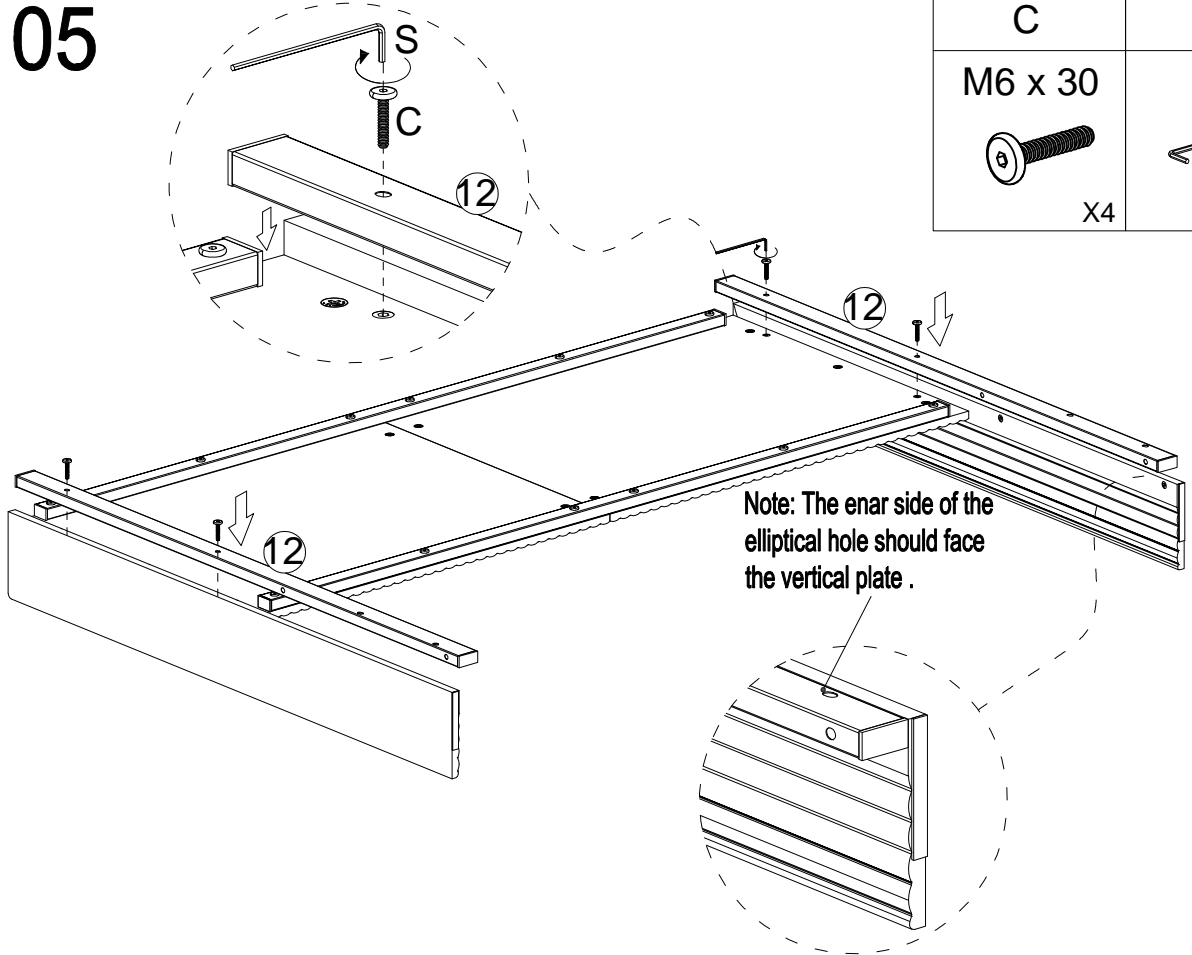
# 04

K	R
Ø15 x 9.5 	
X6	X1





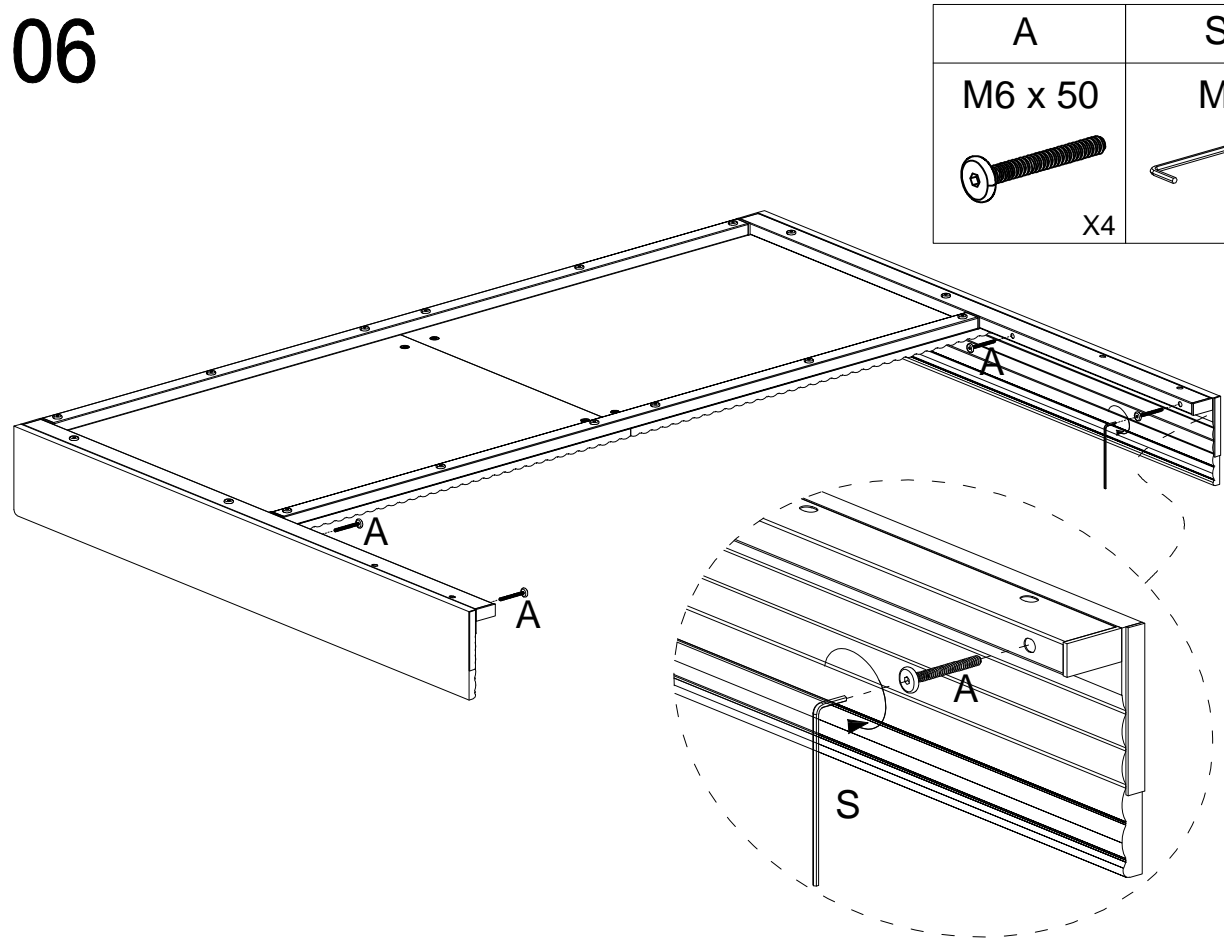
# 05

C	S
M6 x 30	M4
	
X4	X1





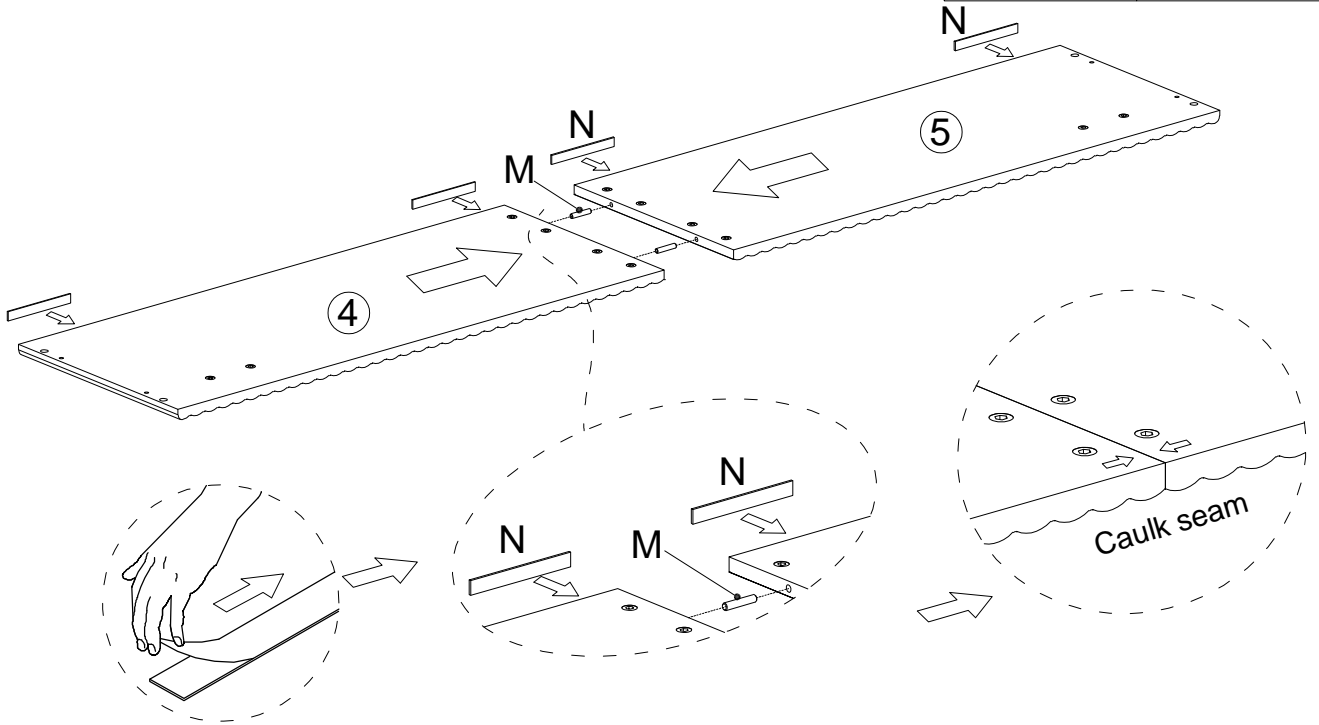
# 06

A	S
M6 x 50	M4
	
X4	X1

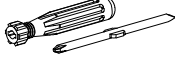
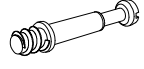





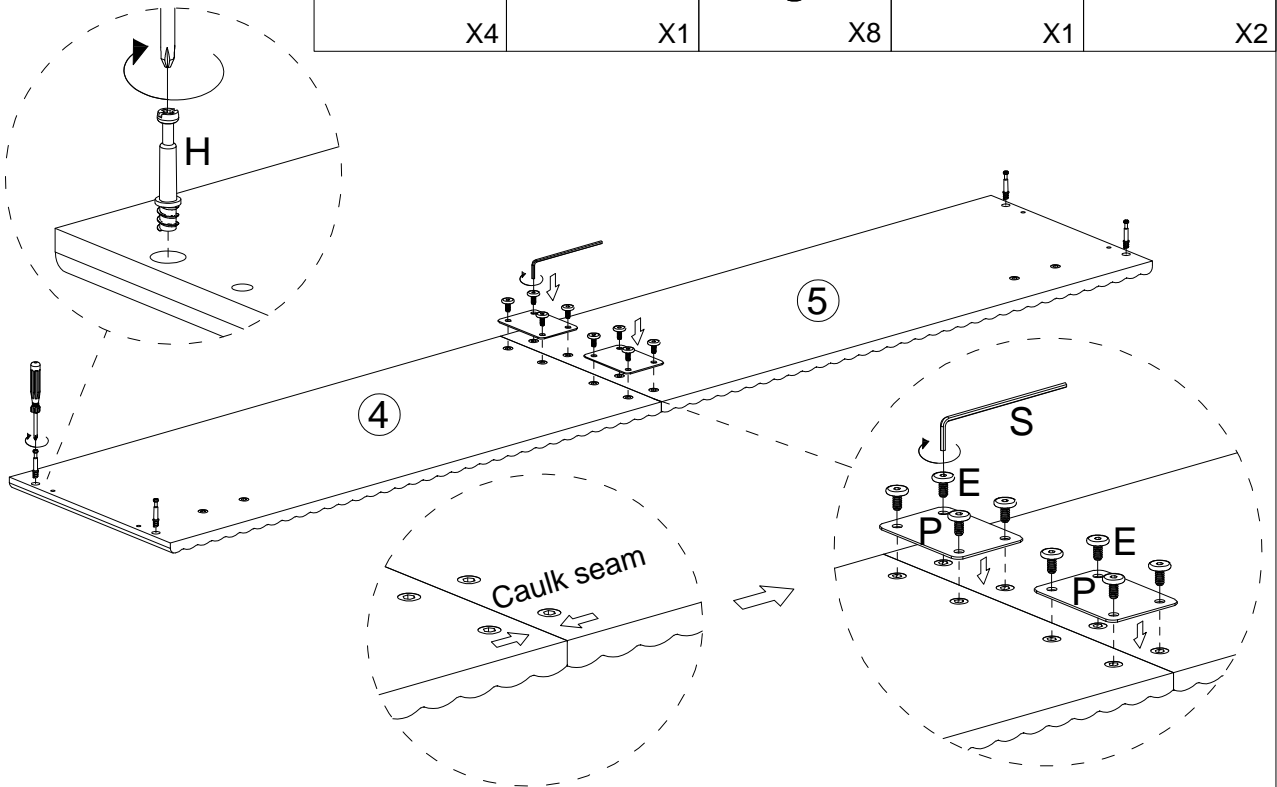
# 07

N	M
12 x 100	Ø6 x 30
	
X4	X2

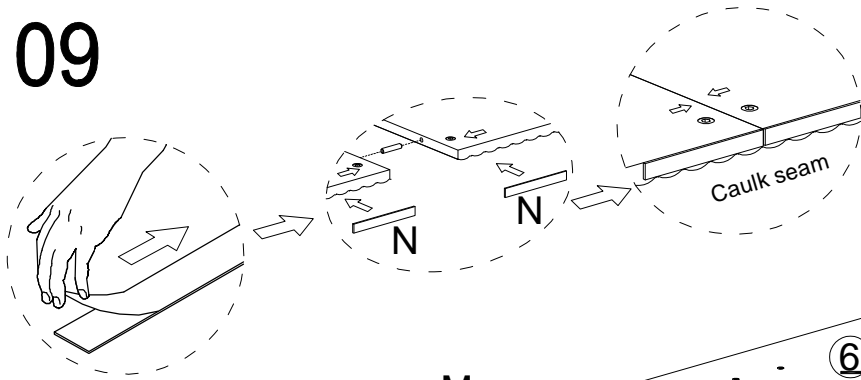


# 08

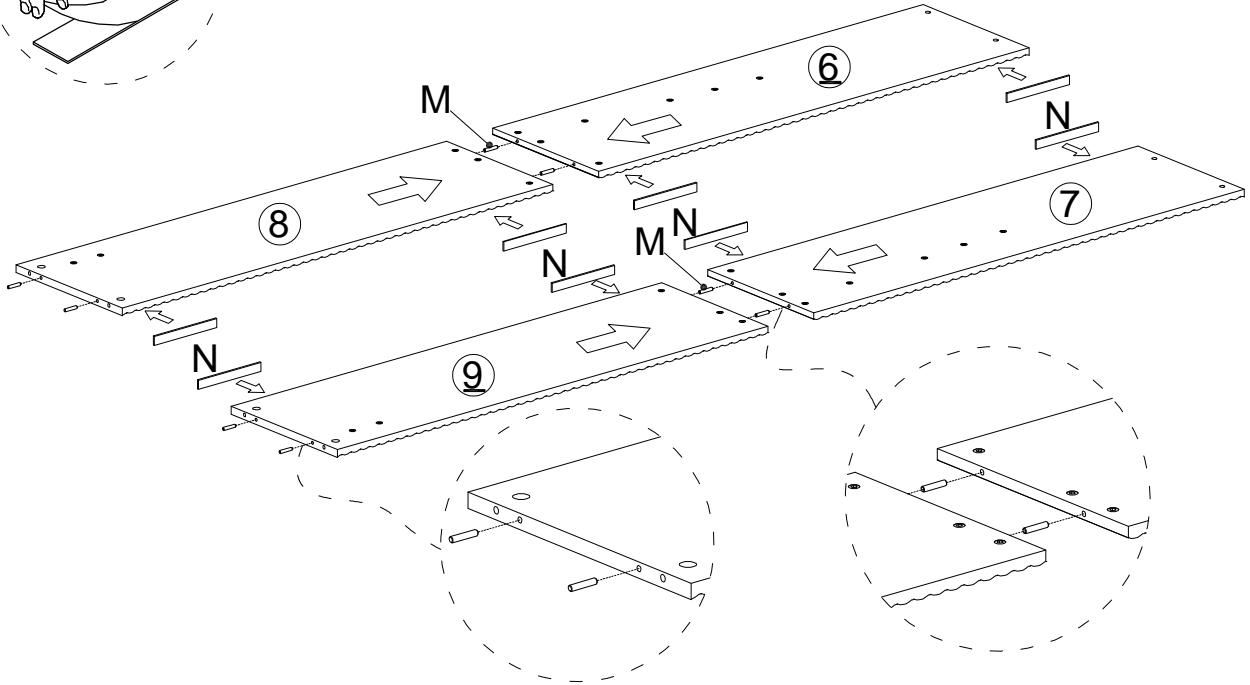
H	R	E	S	P
M6 x 35		M6 x 12	M4	84x60x1.5
	X1			
X4		X8	X1	X2



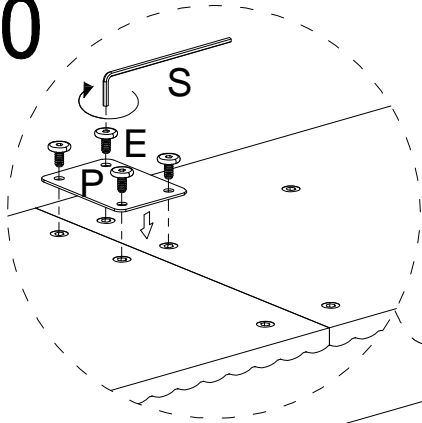
# 09



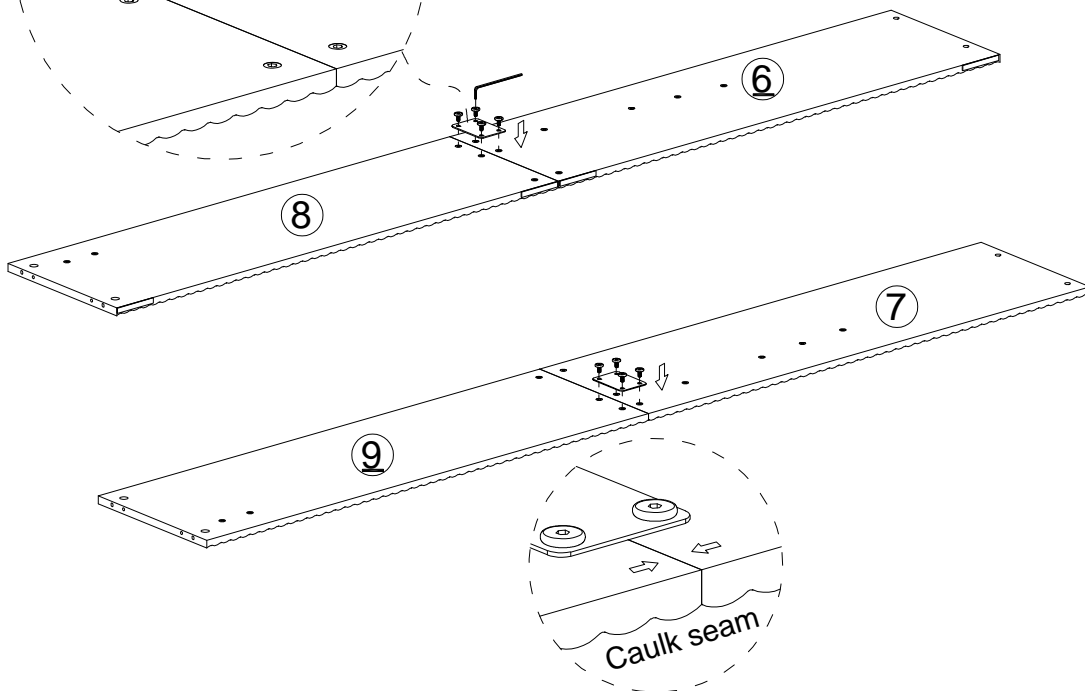
N	M
12 x 100	Ø6 x 30
X8	X8








# 10

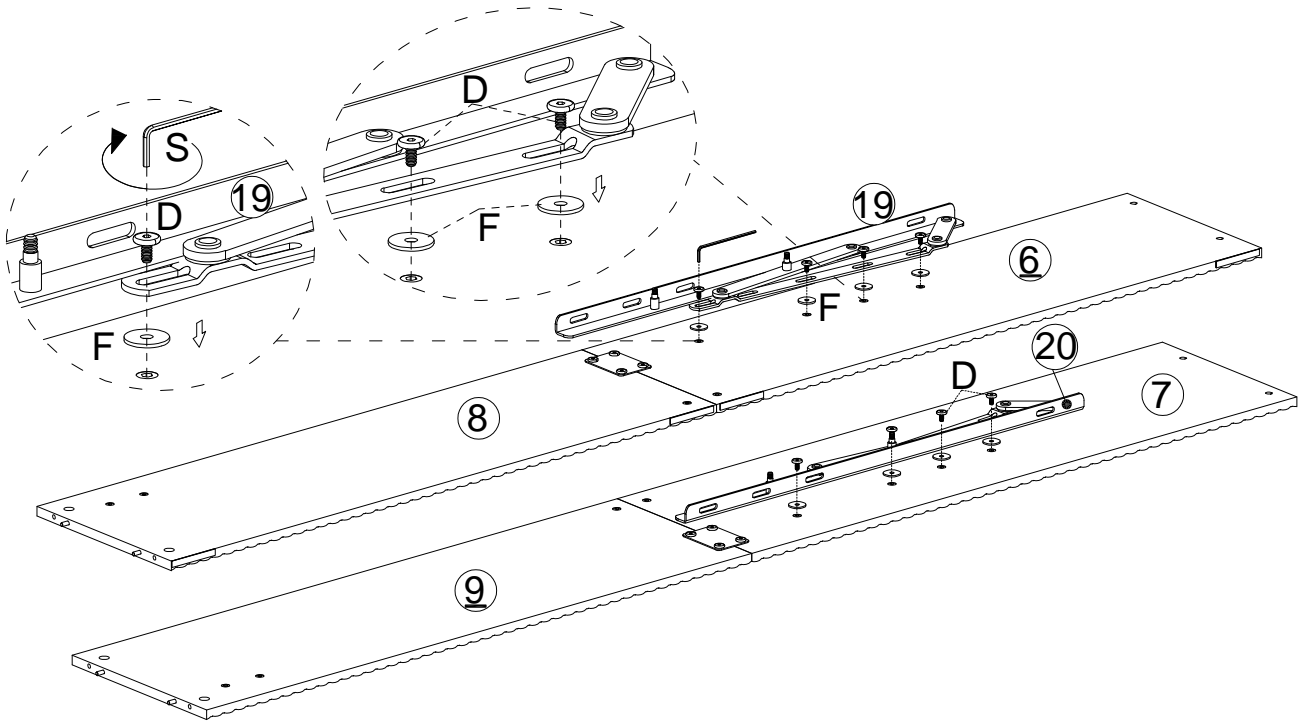


E	P	S
M6 x 12	84x60x1.5	M4
X8	X2	X1





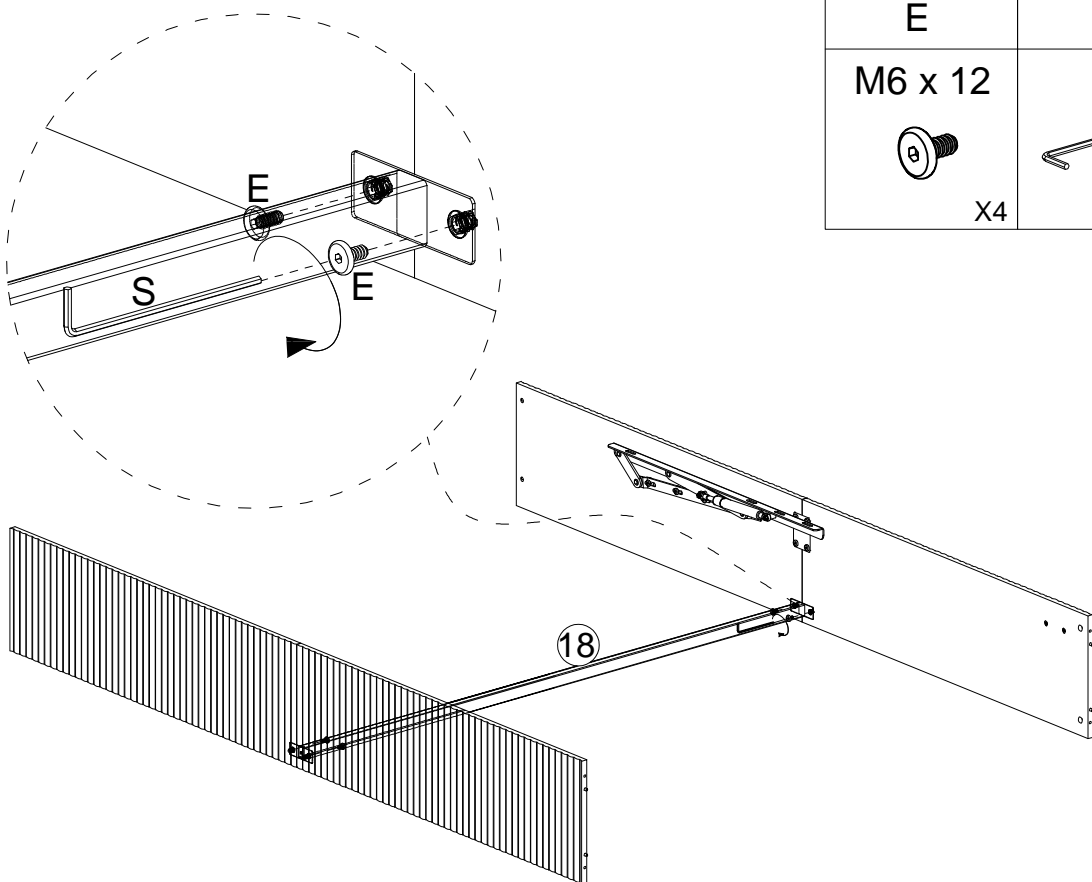
# 11

19	20	D	F	S
L750	L750	M6 x 15	Ø25 x 2	M4
				
X1	X1	X8	X8	X1

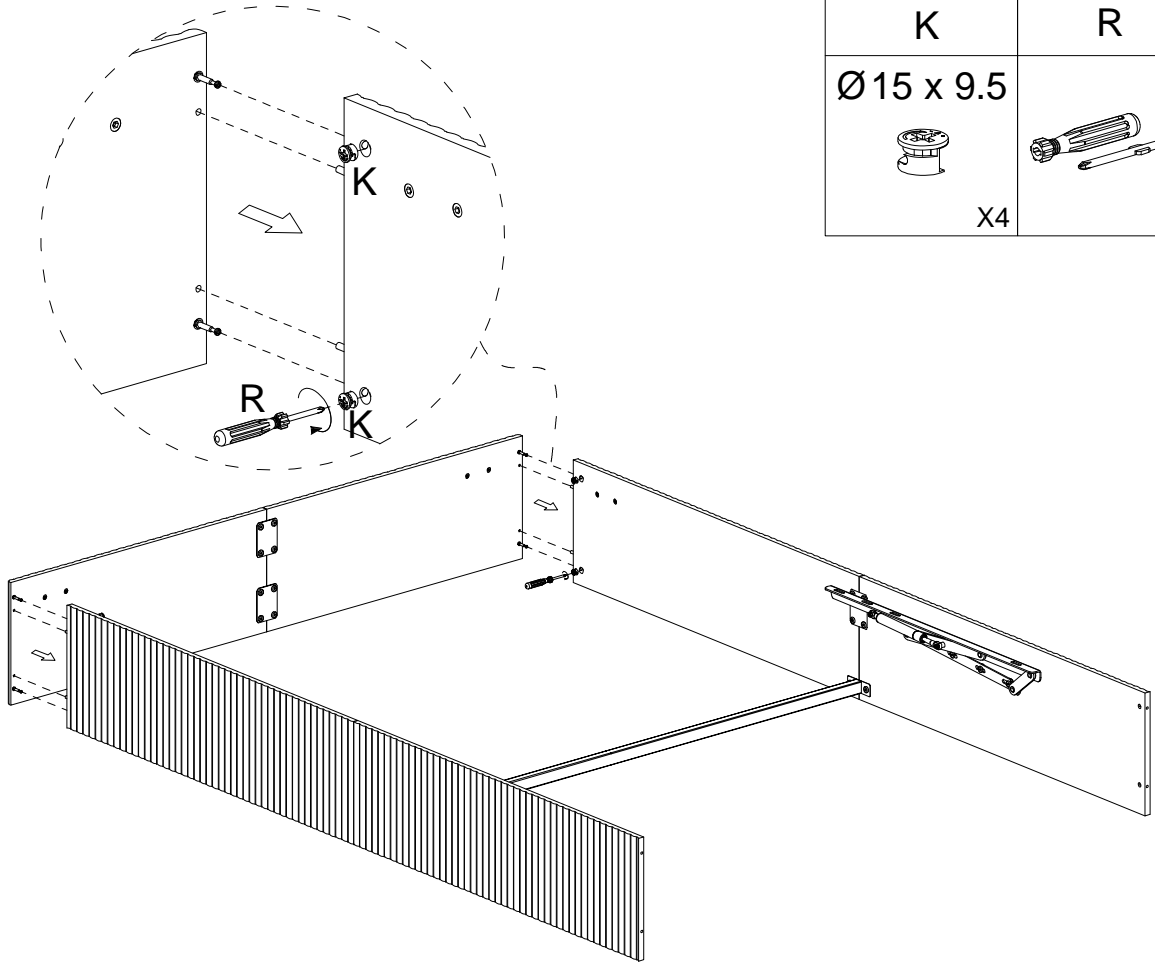



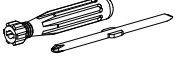
# 12

E	S
M6 x 12	M4
	
X4	X1

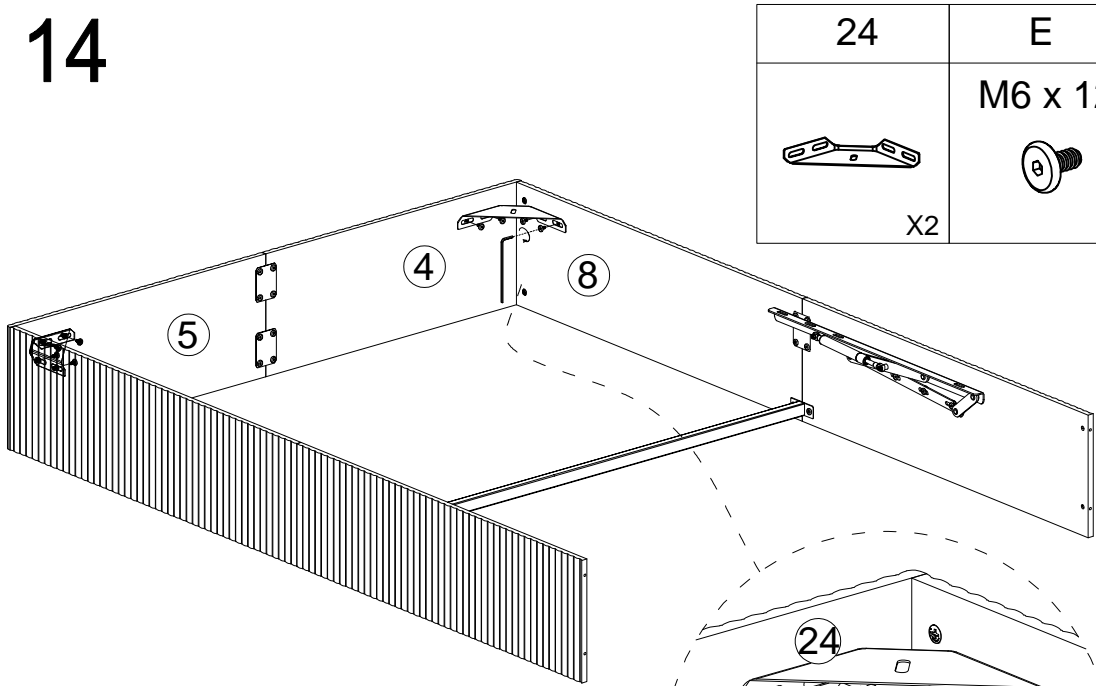


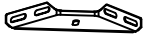


# 13







K	R
$\text{Ø}15 \times 9.5$  X4	 X1

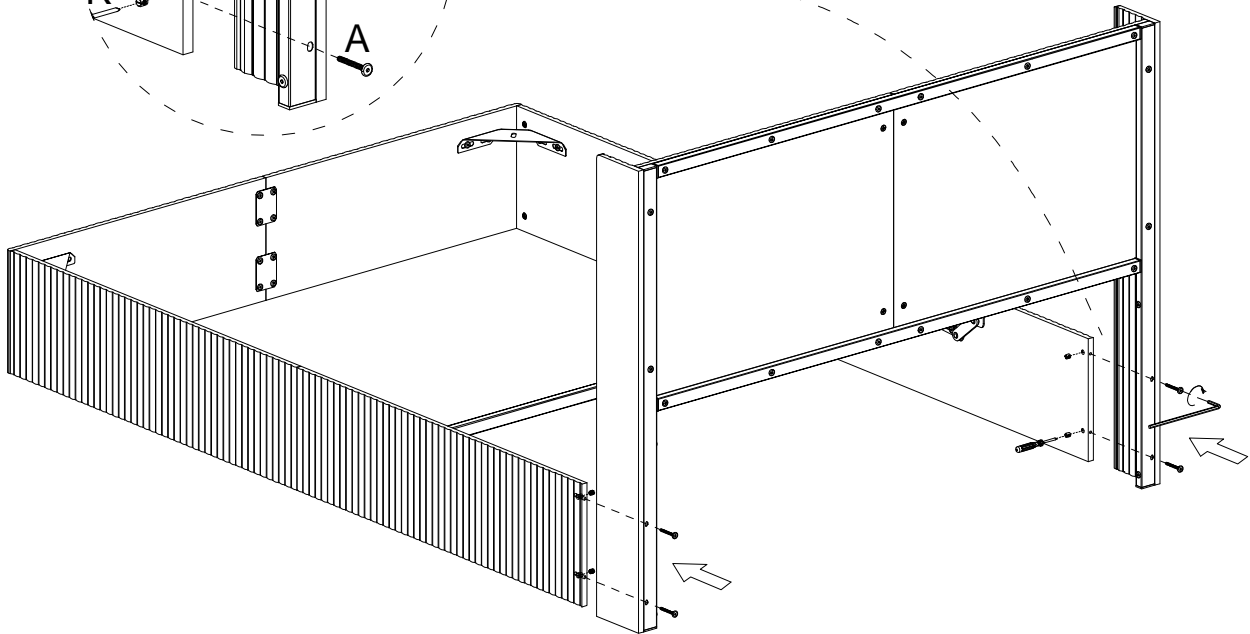
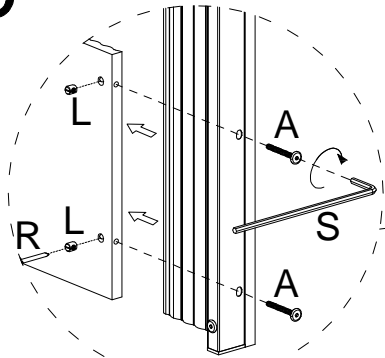
# 14






24	E	S
 X2	M6 x 12  X8	M4  X1

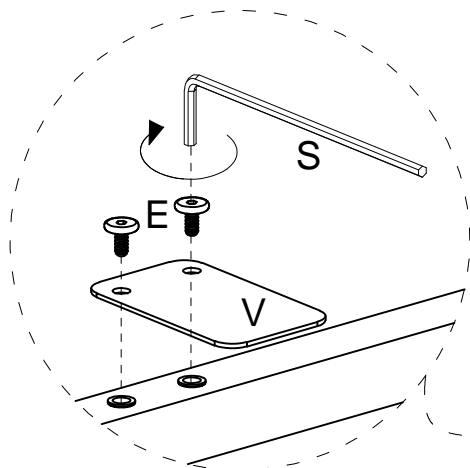
# 15

A	L	R	S
M6 x 50	Ø9.8x10.5		M4
		X1	
X4	X4		X1

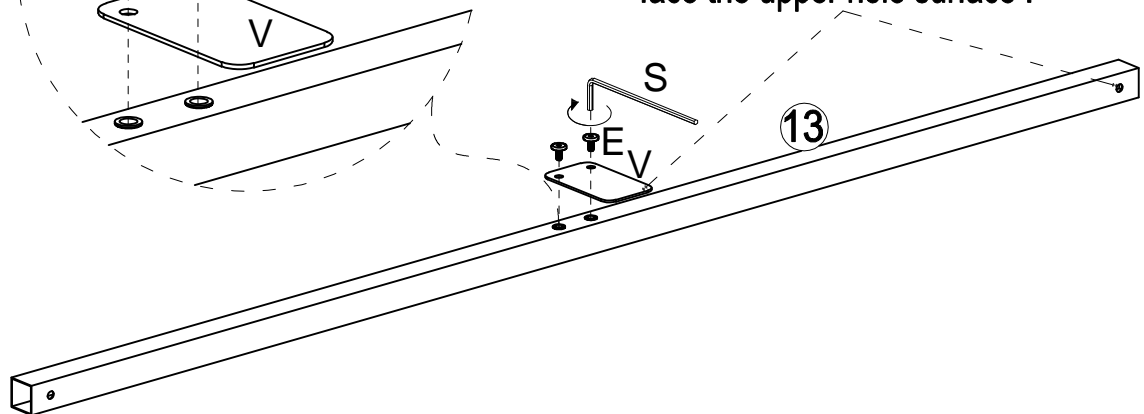


# 16




E	S	V
M6 x 12	M4	100 x 60 x 2
		
X2	X1	X1

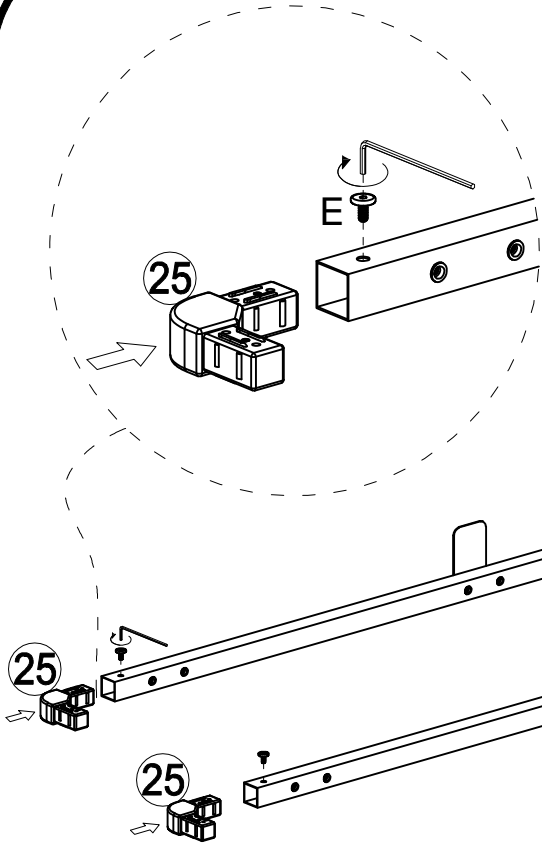


Note: The non-hole end should face the upper hole surface .





# 17

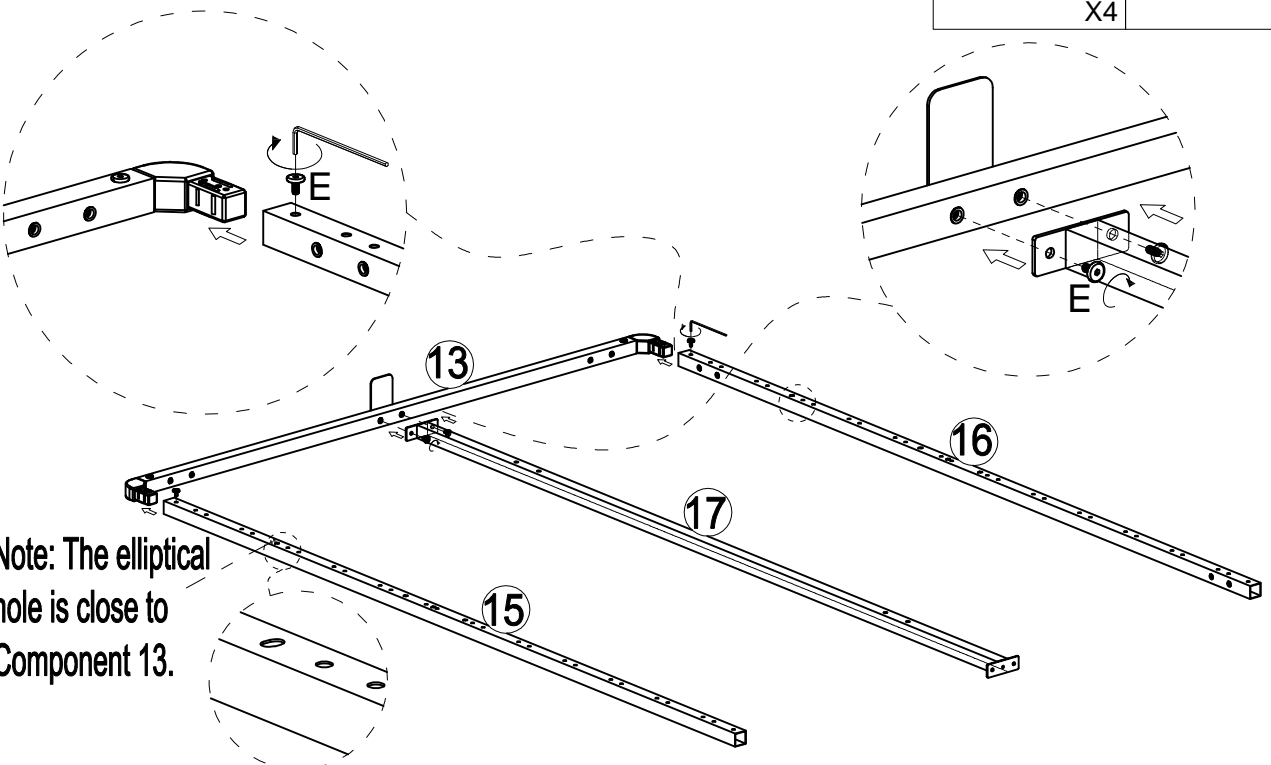
25	E	S
	M6 x 12 	M4 
X4	X4	X1



Note: First push to close, then tighten with the screw, with the plastic end facing the pull cap surface.



# 18

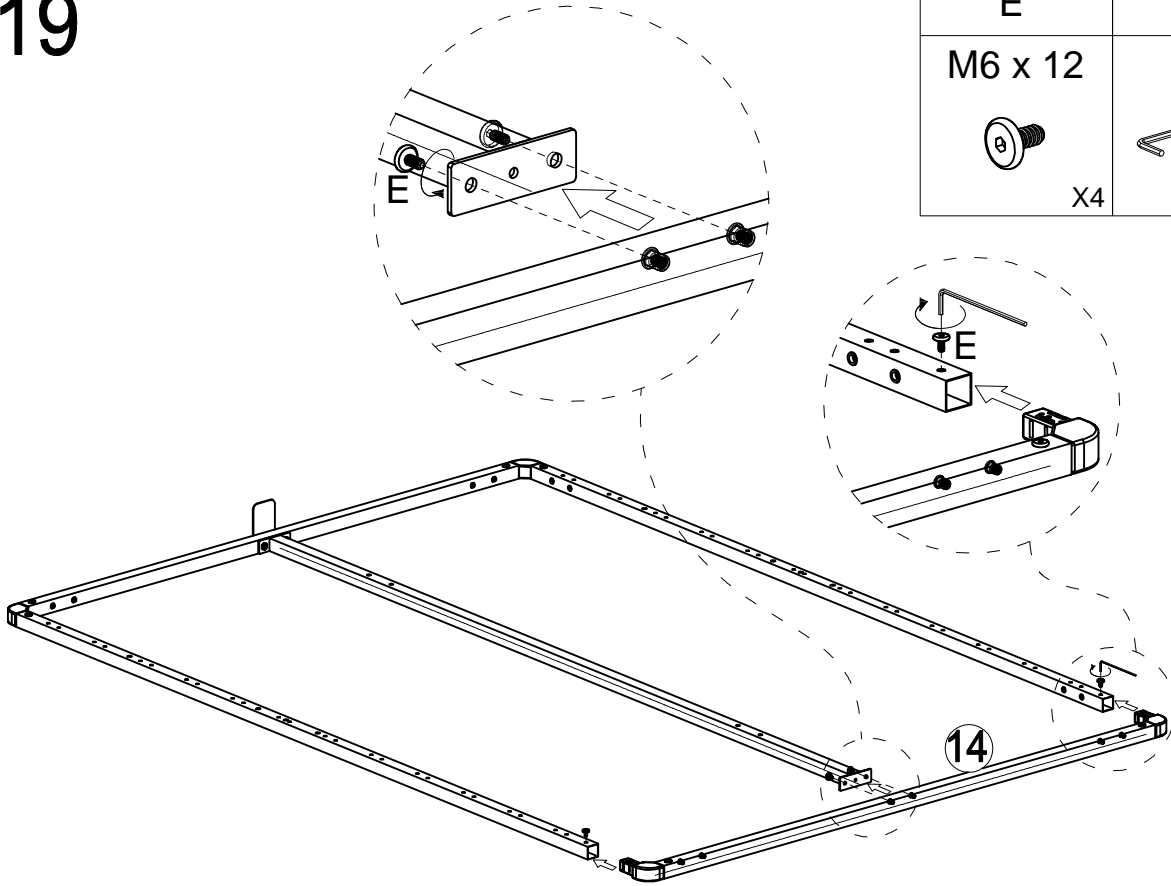
E	S
M6 x 12 	M4 
X4	X1






Note: The elliptical hole is close to Component 13.

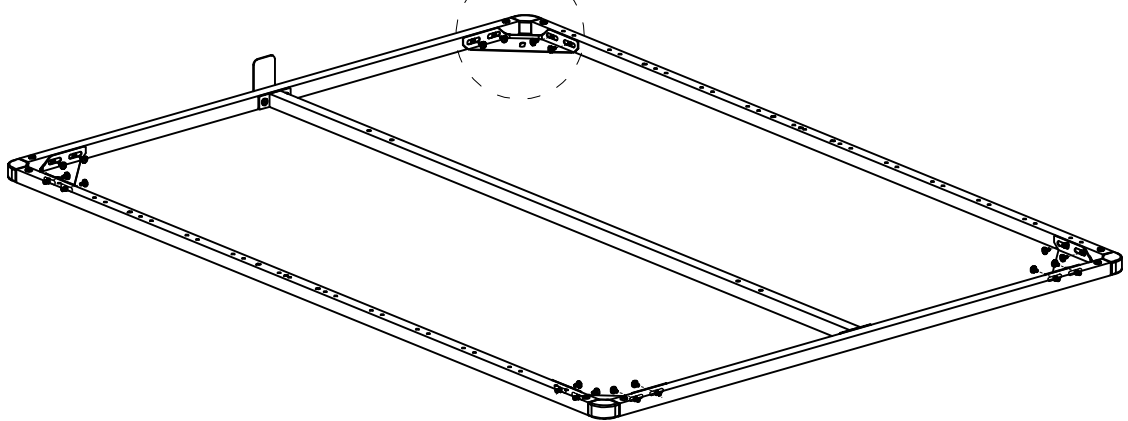
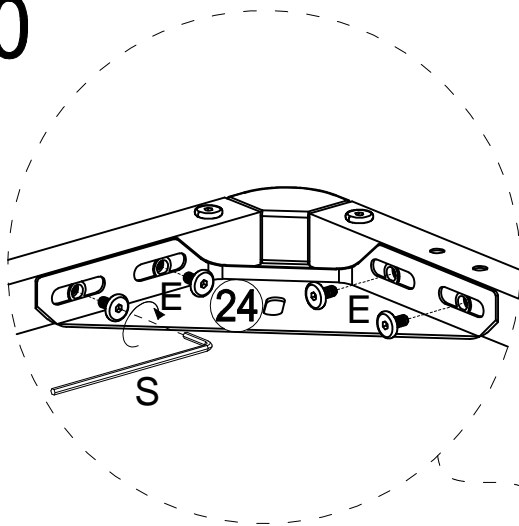
# 19

E	S
M6 x 12	M4
	
X4	X1

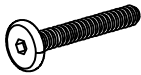





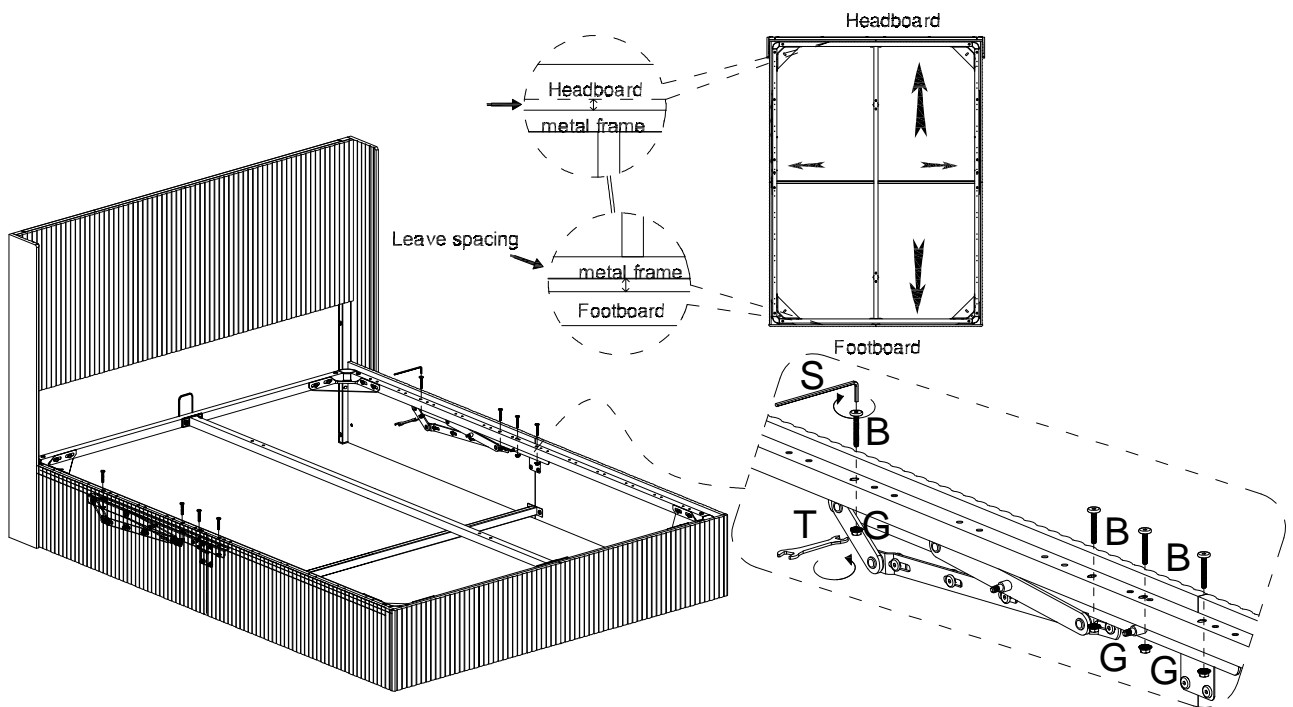
# 20

E	24	S
M6 x 12		M4
	X4	
X16		X1

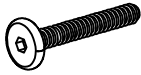





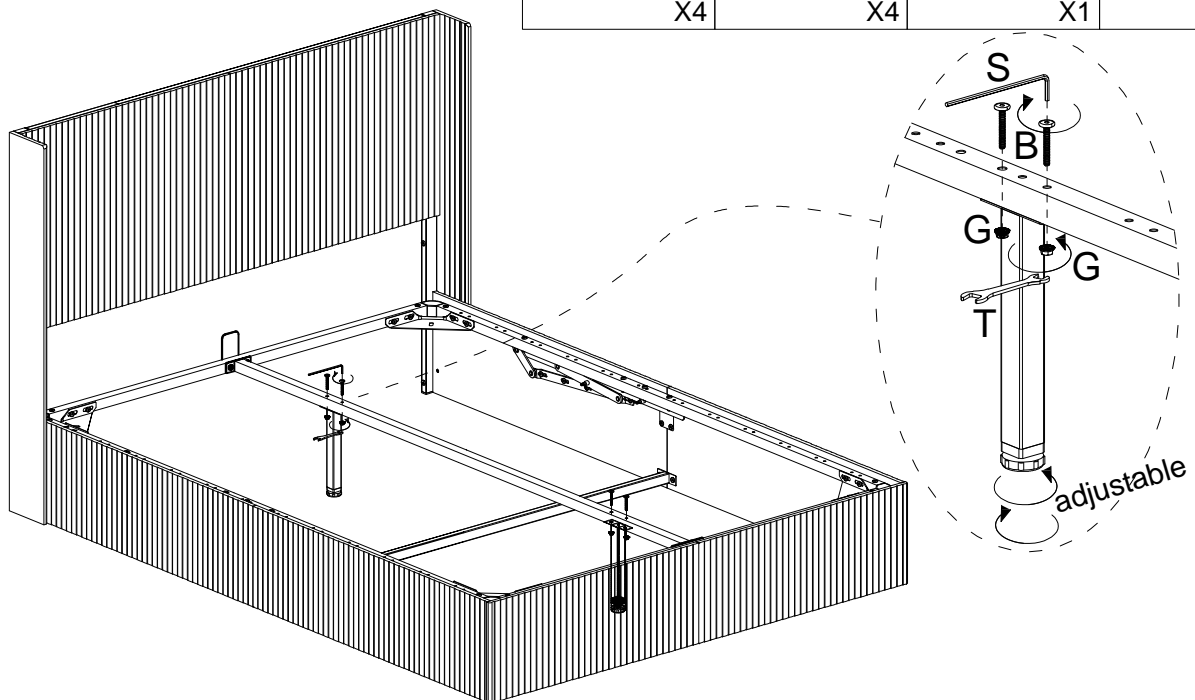
# 21

B	G	S	T
M6 x 40	M6 x 6	M4	
			
X8	X8	X1	X1

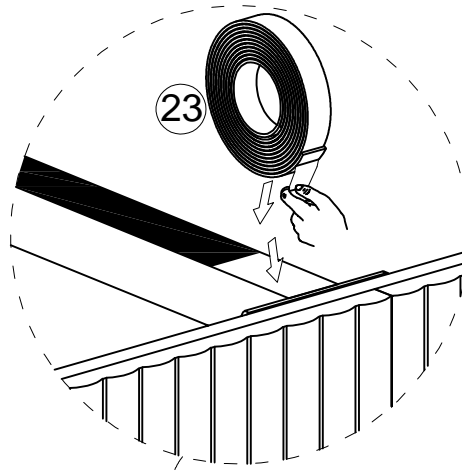
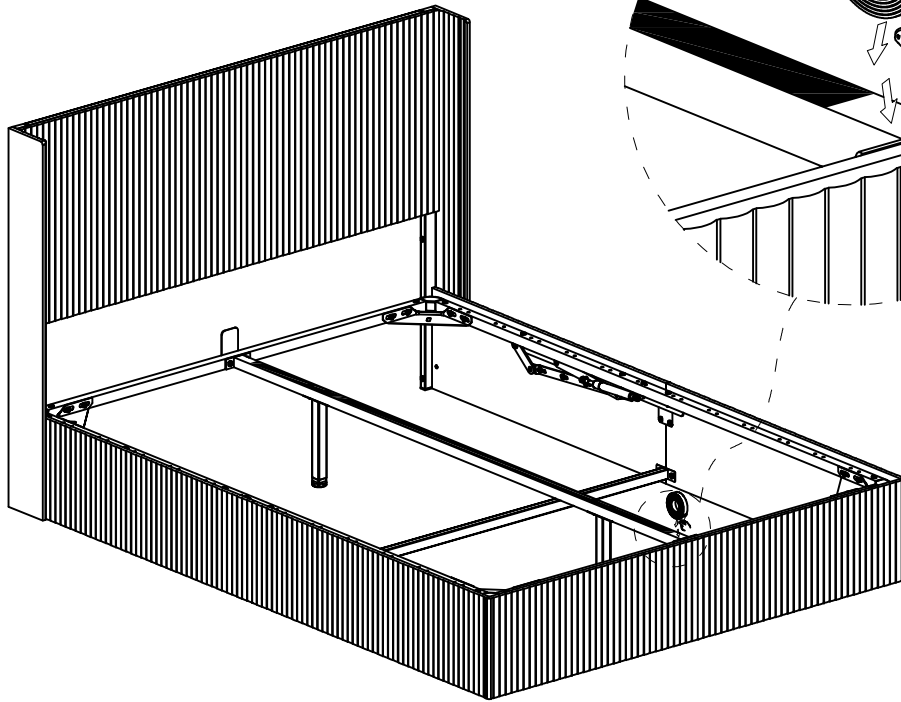


# 22

B	G	S	T
M6 x 40	M6 x 6	M4	
			
X4	X4	X1	X1



# 23

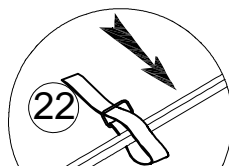
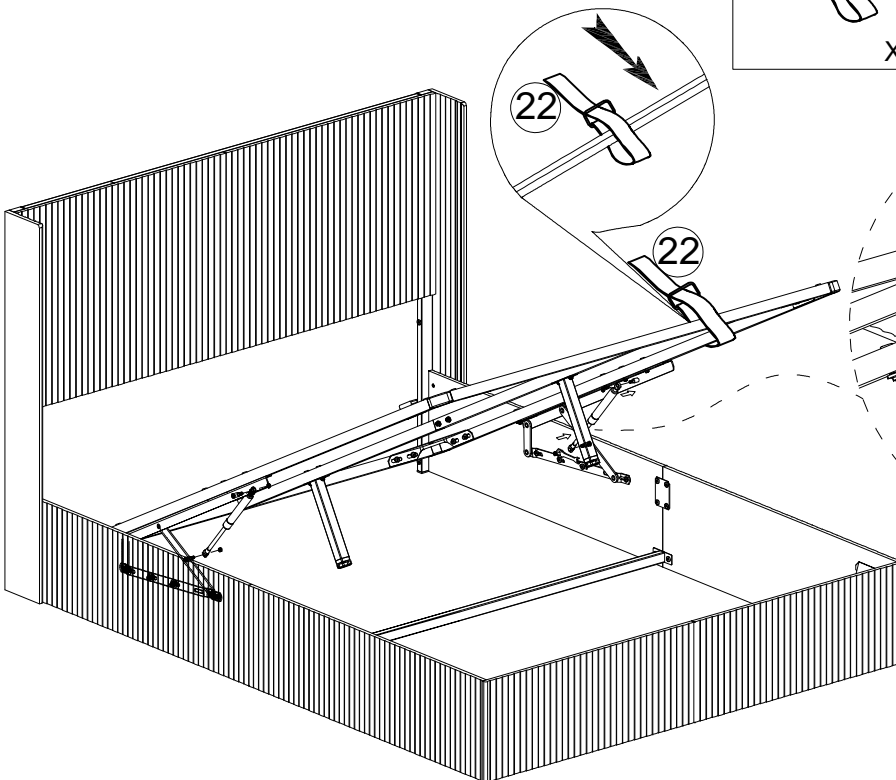


23

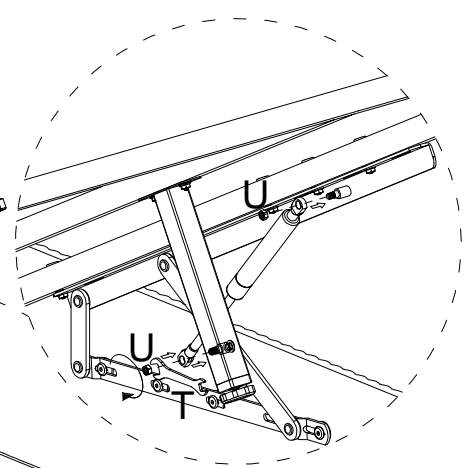


X1

# 24



22	U	T
X1	X4	X1

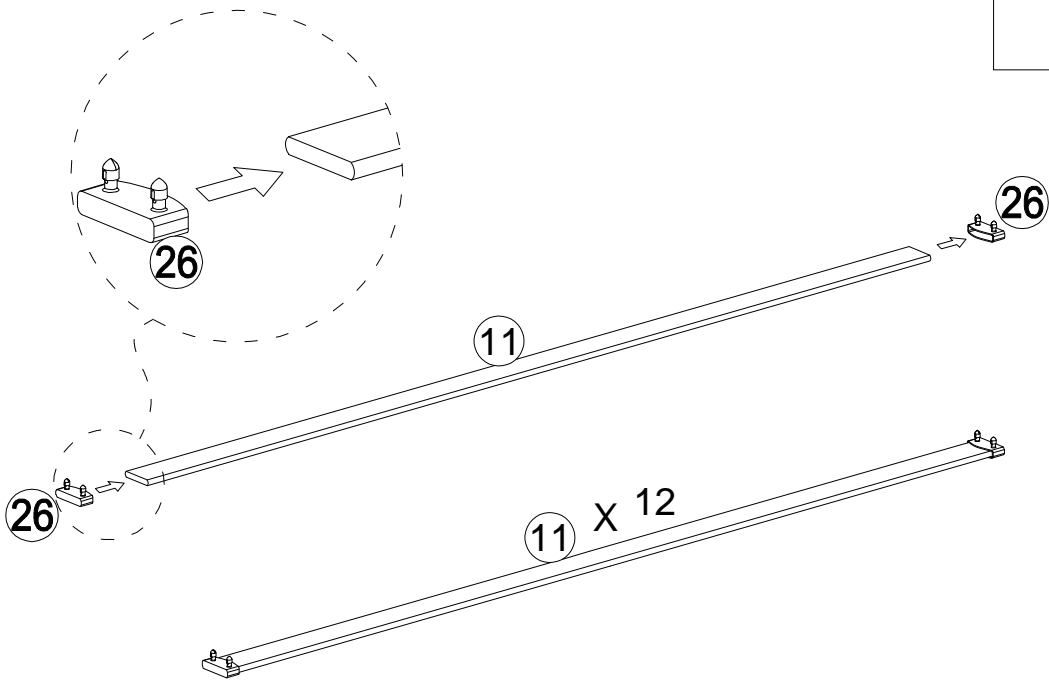


# 25

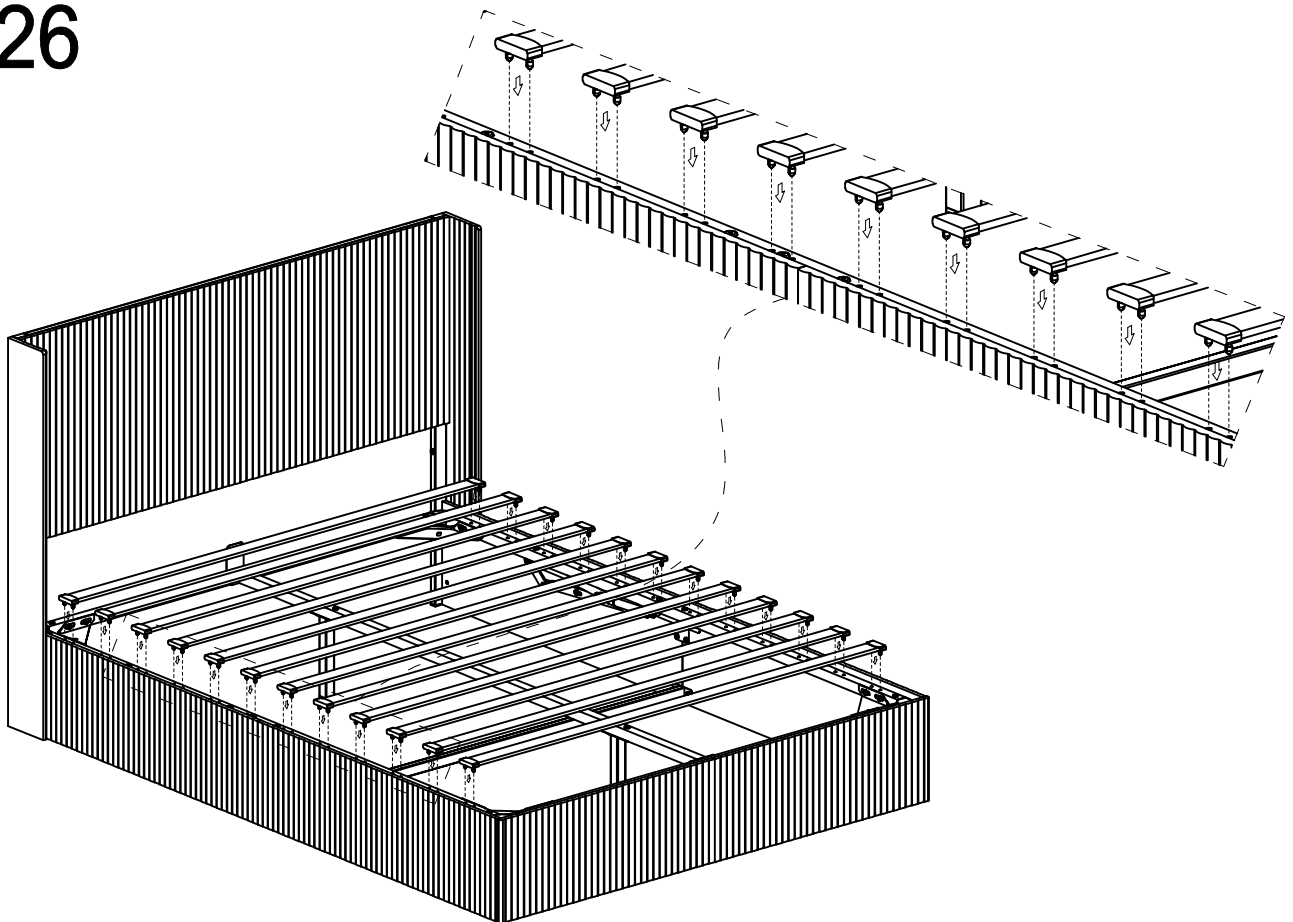
# 26



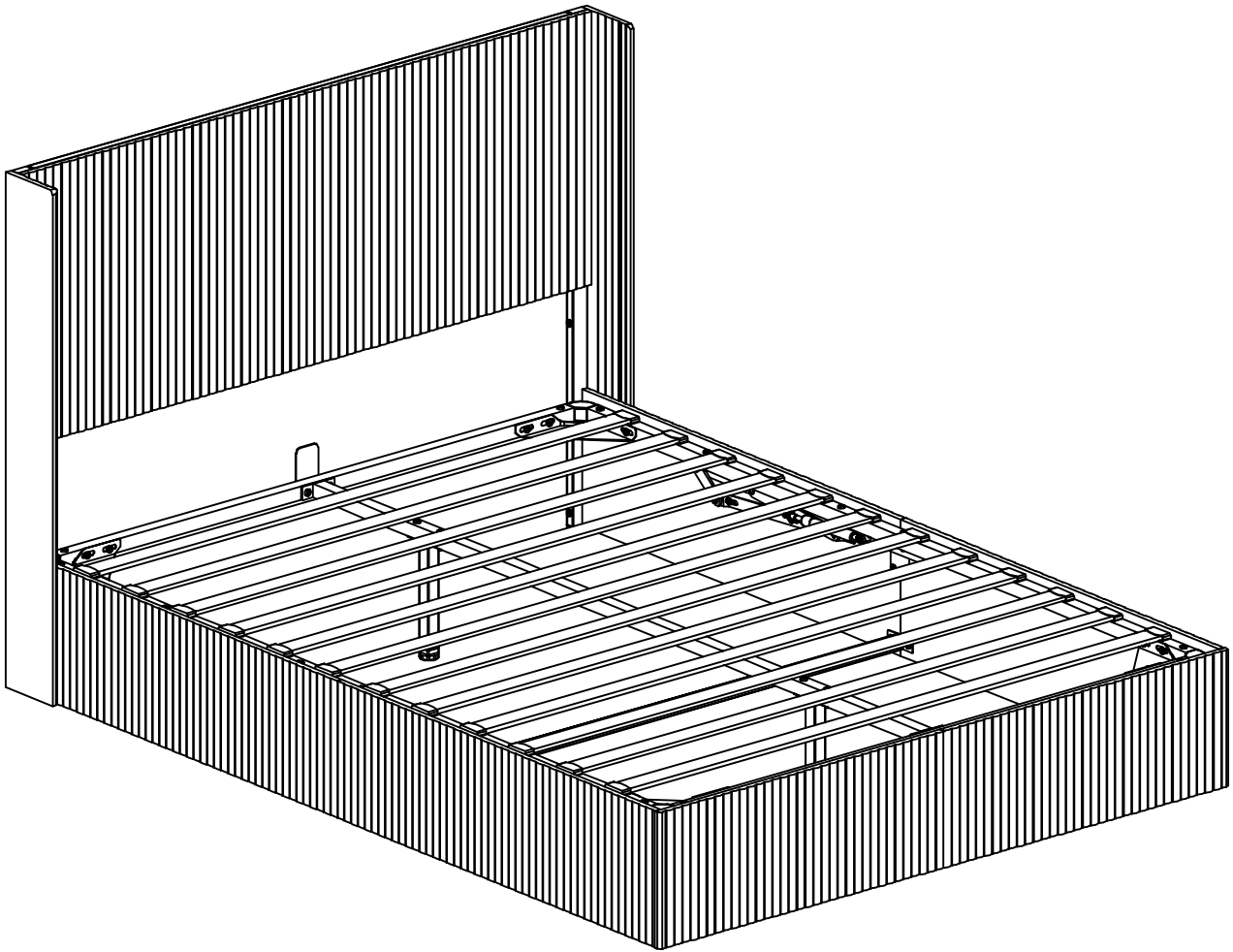
X24



# 26



27



Note : When adjusting , clockwise rotation means locking ,  
and counterclockwise rotation means loosening .

After - sales service: [592204677@qq.com](mailto:592204677@qq.com)