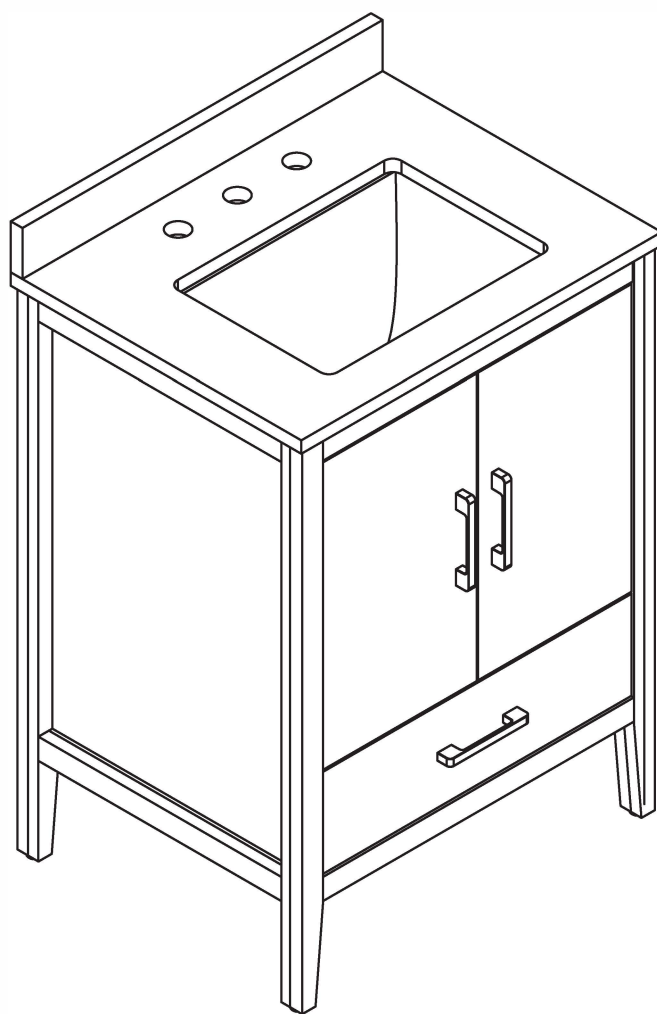


BATHROOM VANITY



CONTACT US

Thank you for purchasing our products!

We're delighted to enhance your living space with our offerings.

If you encounter any issues or have questions during installation or usage, don't hesitate to reach out. Our dedicated support team is available 24/7 to assist you and ensure your complete satisfaction.



WARNING

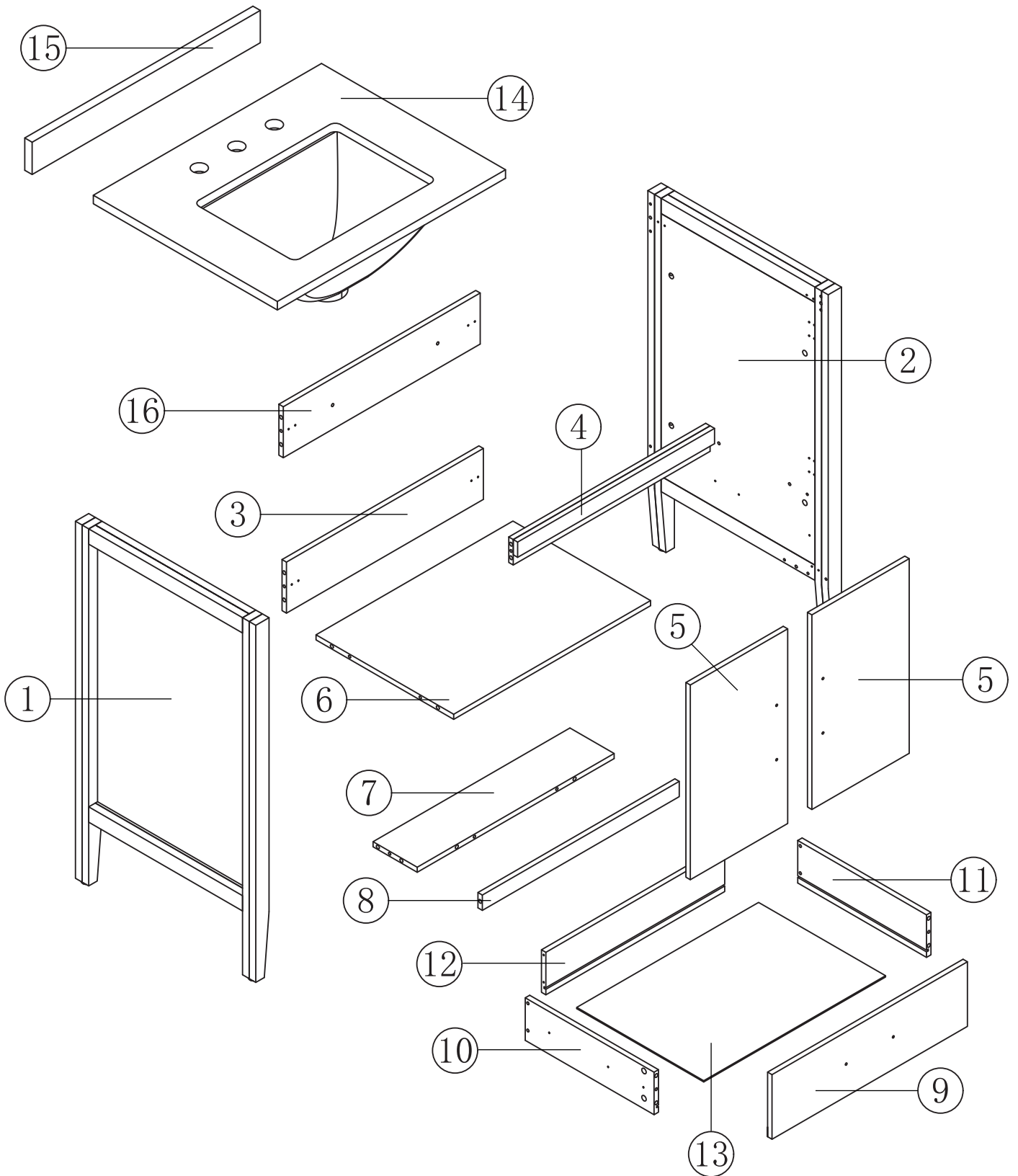
Serious or fatal crushing injuries can occur from furniture tip-over. To prevent this furniture from tipping over it must be permanently fixed to the wall/floor.

We only provide one type of wall fixing device. Use fixing devices suitable for the walls/floors in your home since different wall materials require different types of fixing devices.

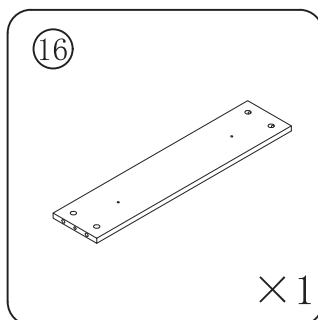
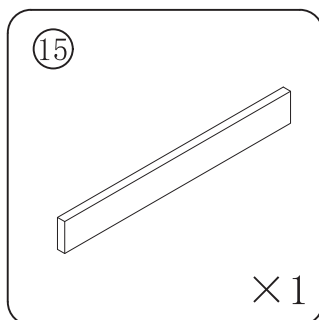
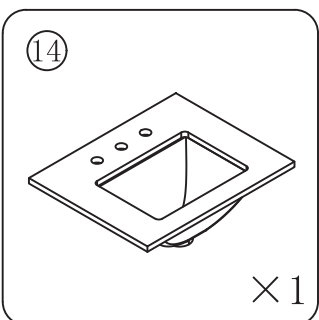
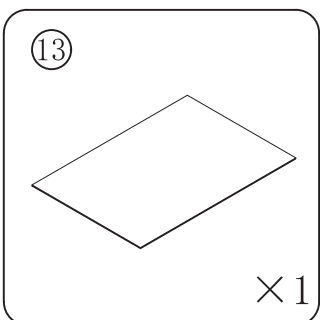
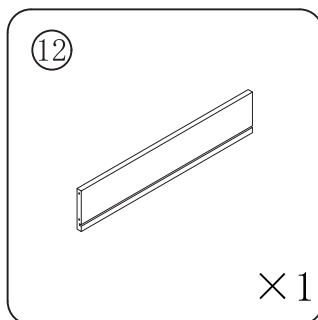
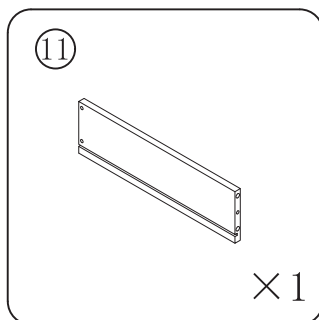
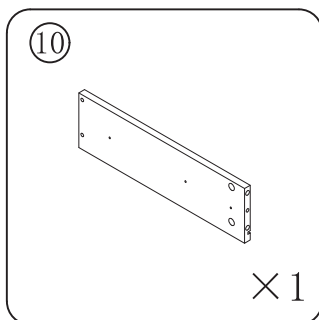
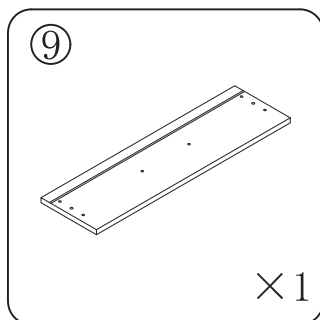
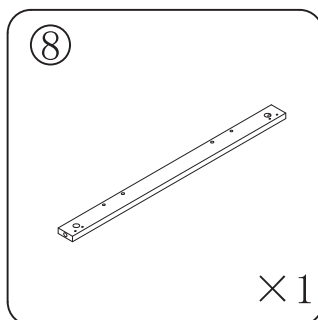
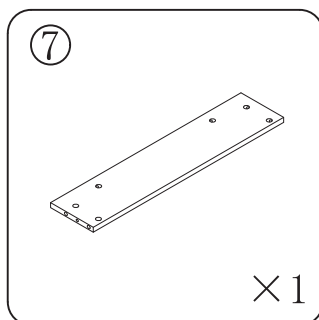
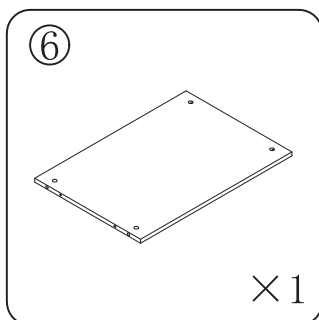
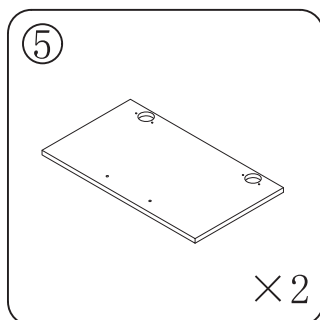
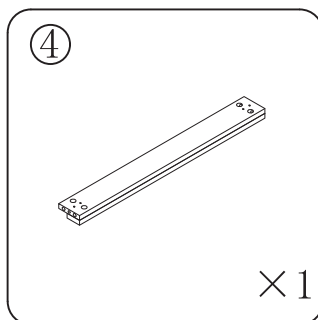
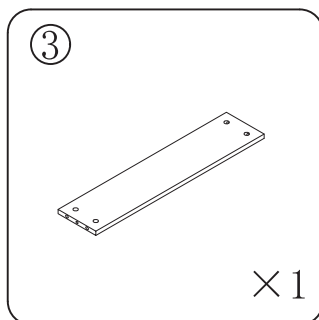
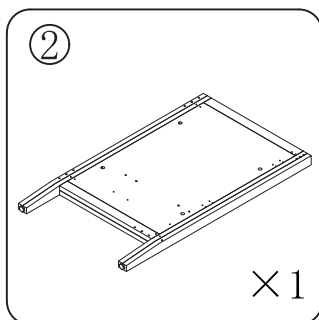
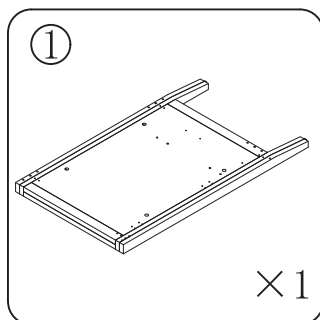
Safety recommendation:

- Place heaviest items in the lowest shelf.
- Prevent children from climbing or hanging on the drawers, doors or shelves.

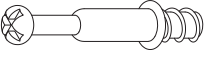
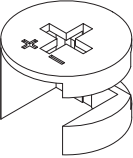


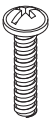

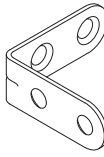


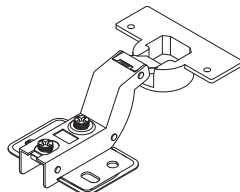
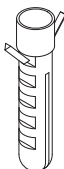
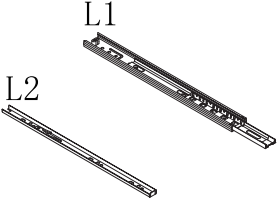

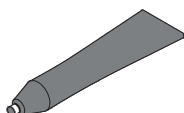
ASSEMBLY DRAWING



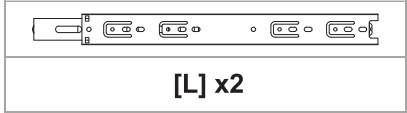
ACCESSORIES LIST



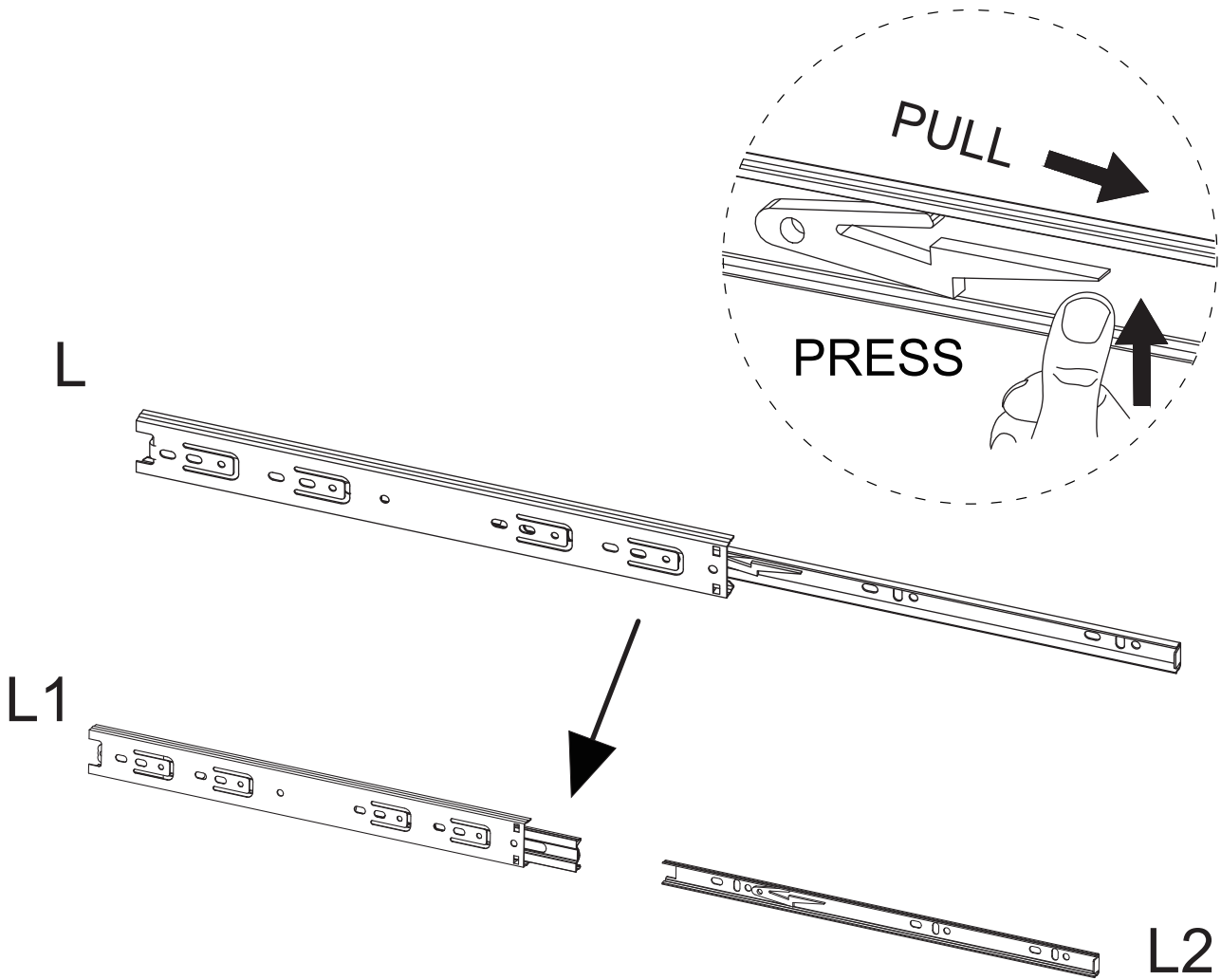
ACCESSORIES LIST

A  $\phi 6*35 \quad \times 28$	B  $\phi 12*9.5 \quad \times 28$	C  $\phi 6*30 \quad \times 16$	D  $M4*60 \quad \times 2$
E  $M4*16 \quad \times 6$	F  $M4*12 \quad \times 68$	G  $\times 8$	H  $M4*35 \quad \times 4$
I  $\times 3$	J  $\times 4$	K  $\times 2$	L  $\times 2$
M  $\times 1$	N 		

Note: [N]Silicone sealant is not included. Please purchase it separately.

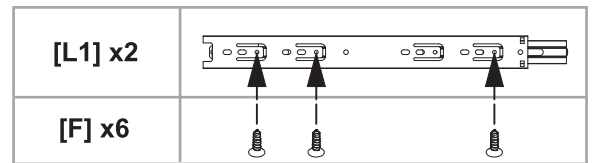


1 Separate component L.

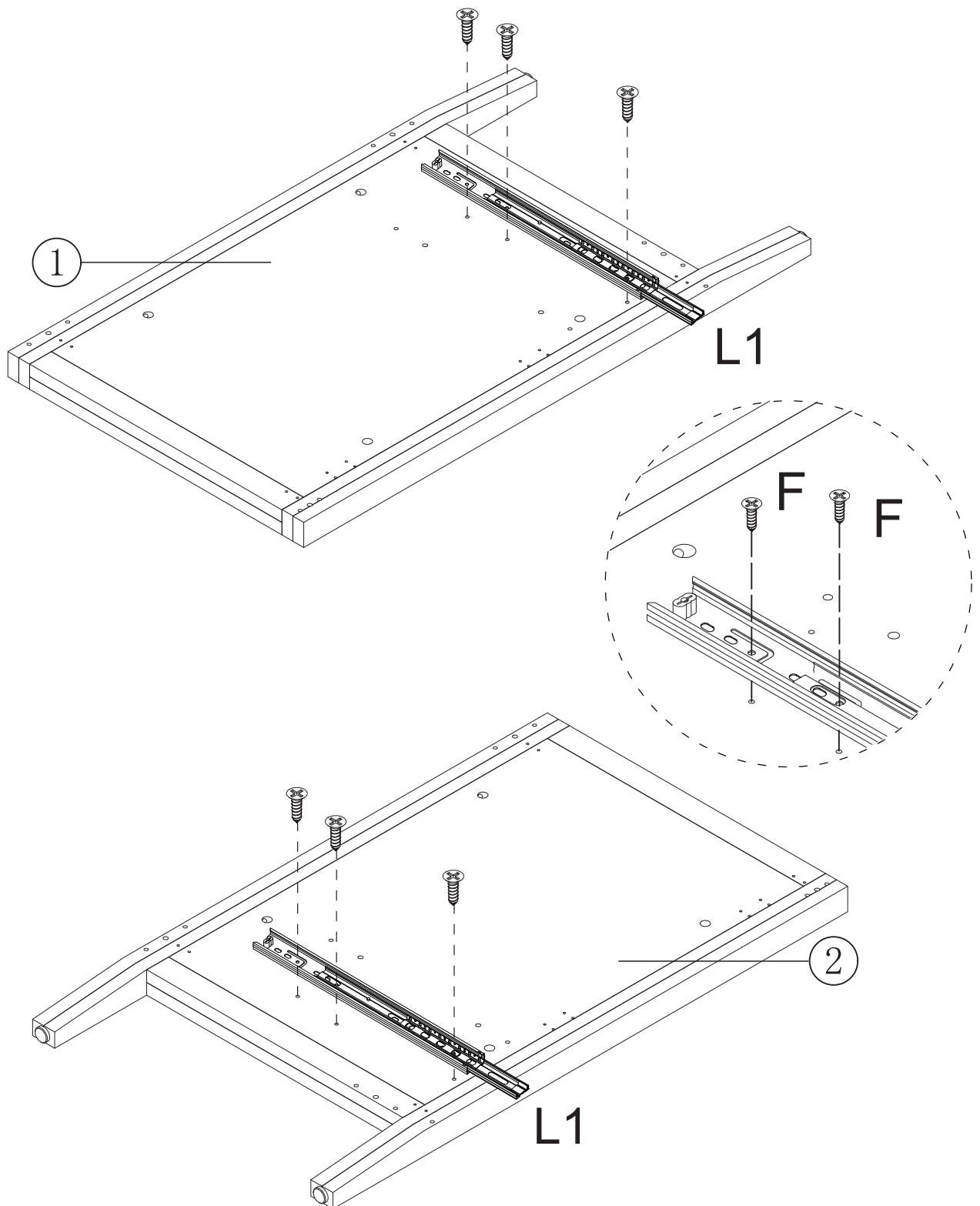


L1 is used in Step 2 and L2 is used in Step 12.

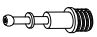
2 Mount slide rail L1.

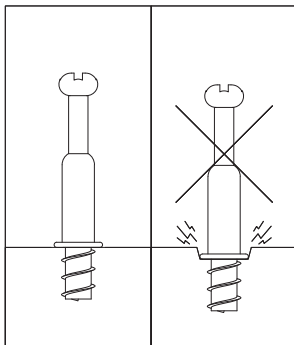
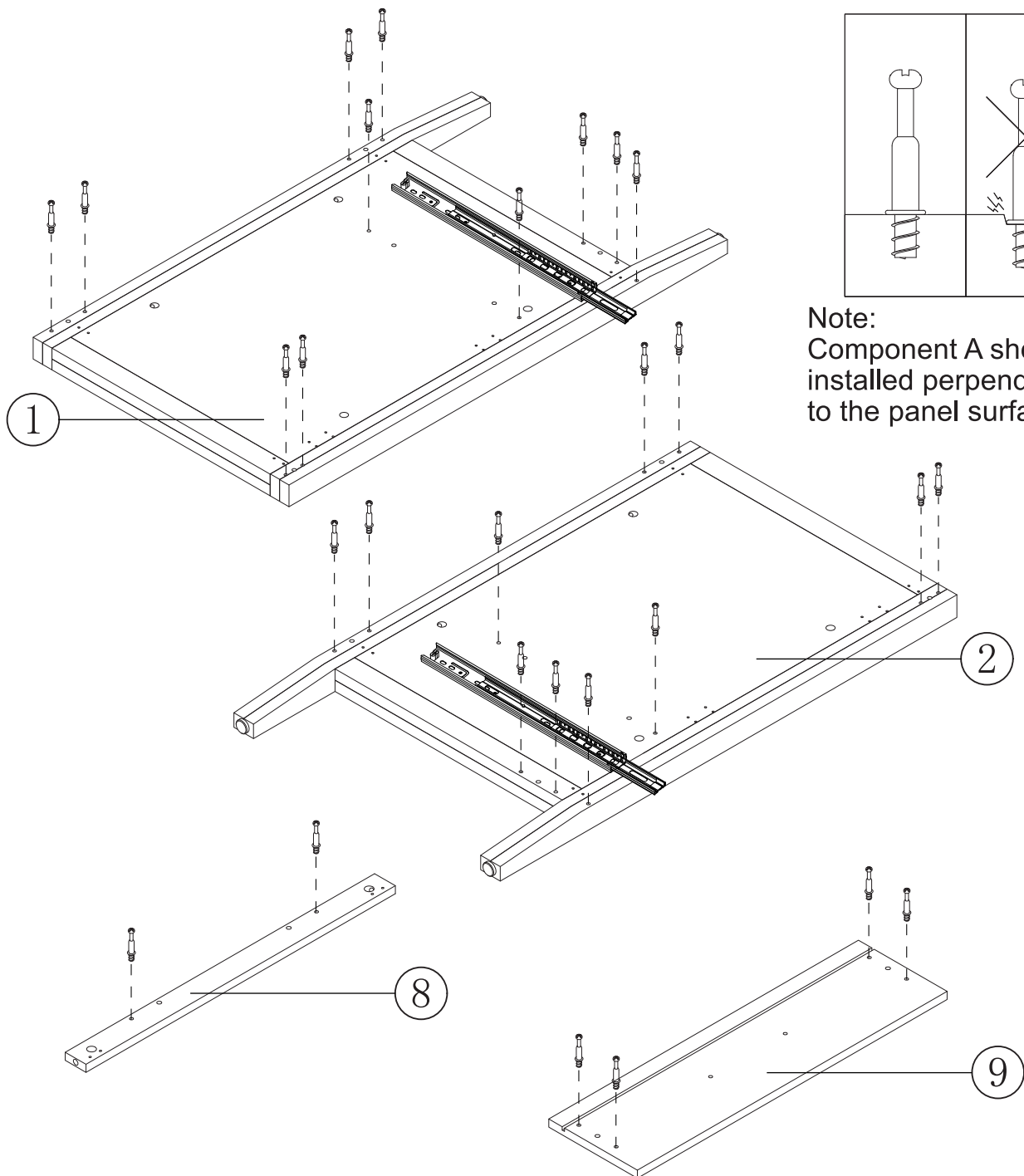


Note: Install component L1 according to the diagram.

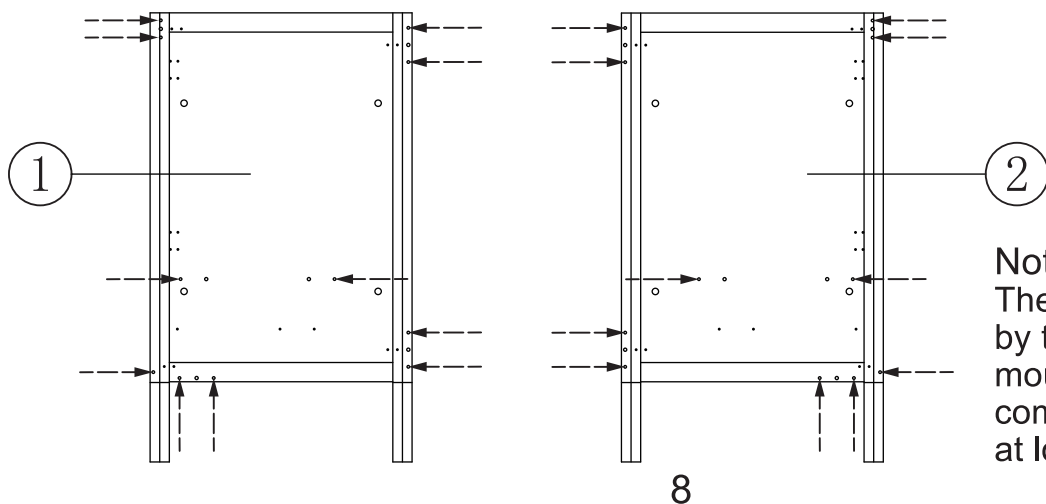


3 Assemble component A with panels.


[A] x28


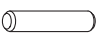


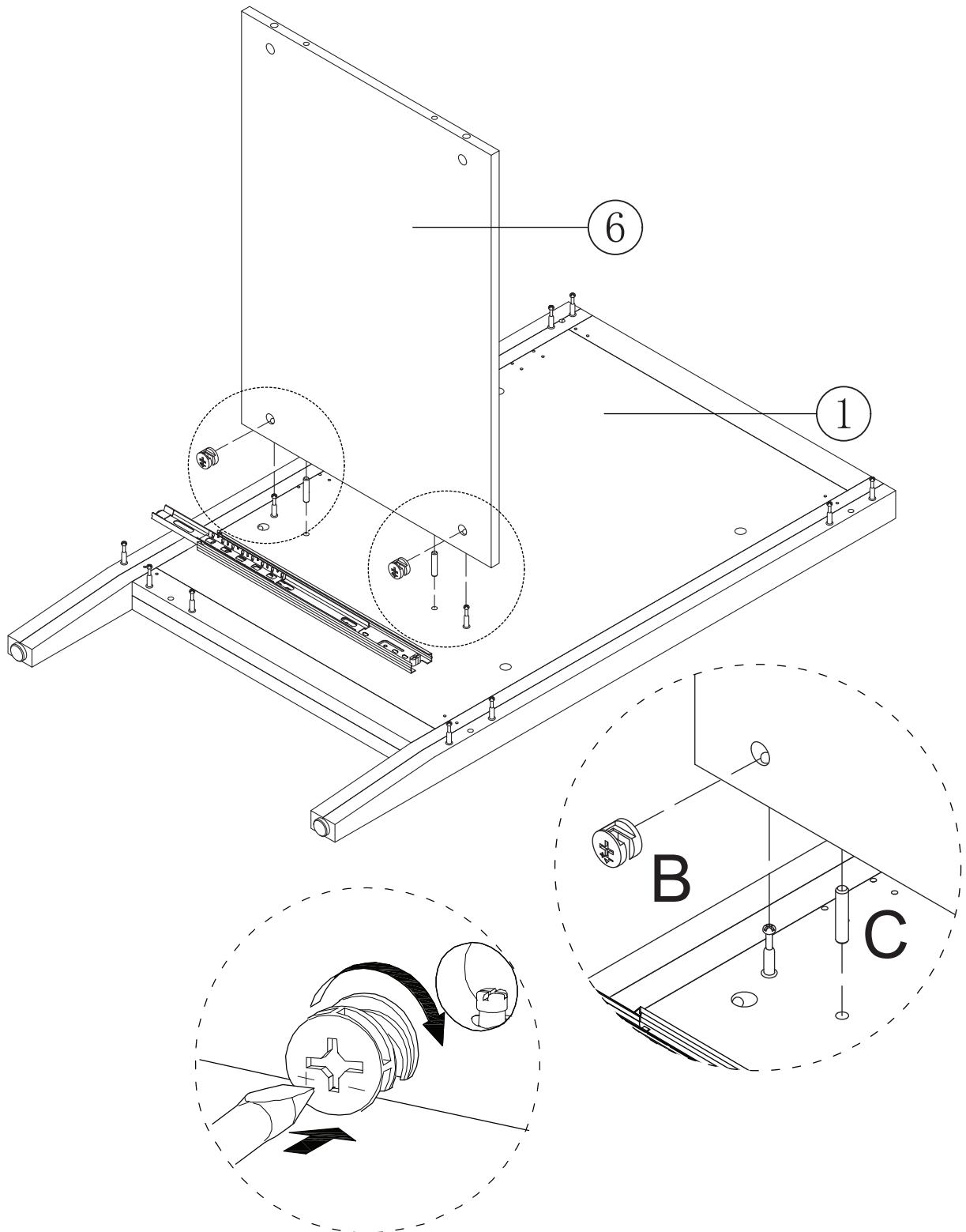
Note:
Component A should be installed perpendicular to the panel surface.



Note:
The holes indicated by the arrows are the mounting positions for components 1 and 2 at location A.

4 Assemble the panels.


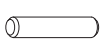
	
[B] x2	[C] x2



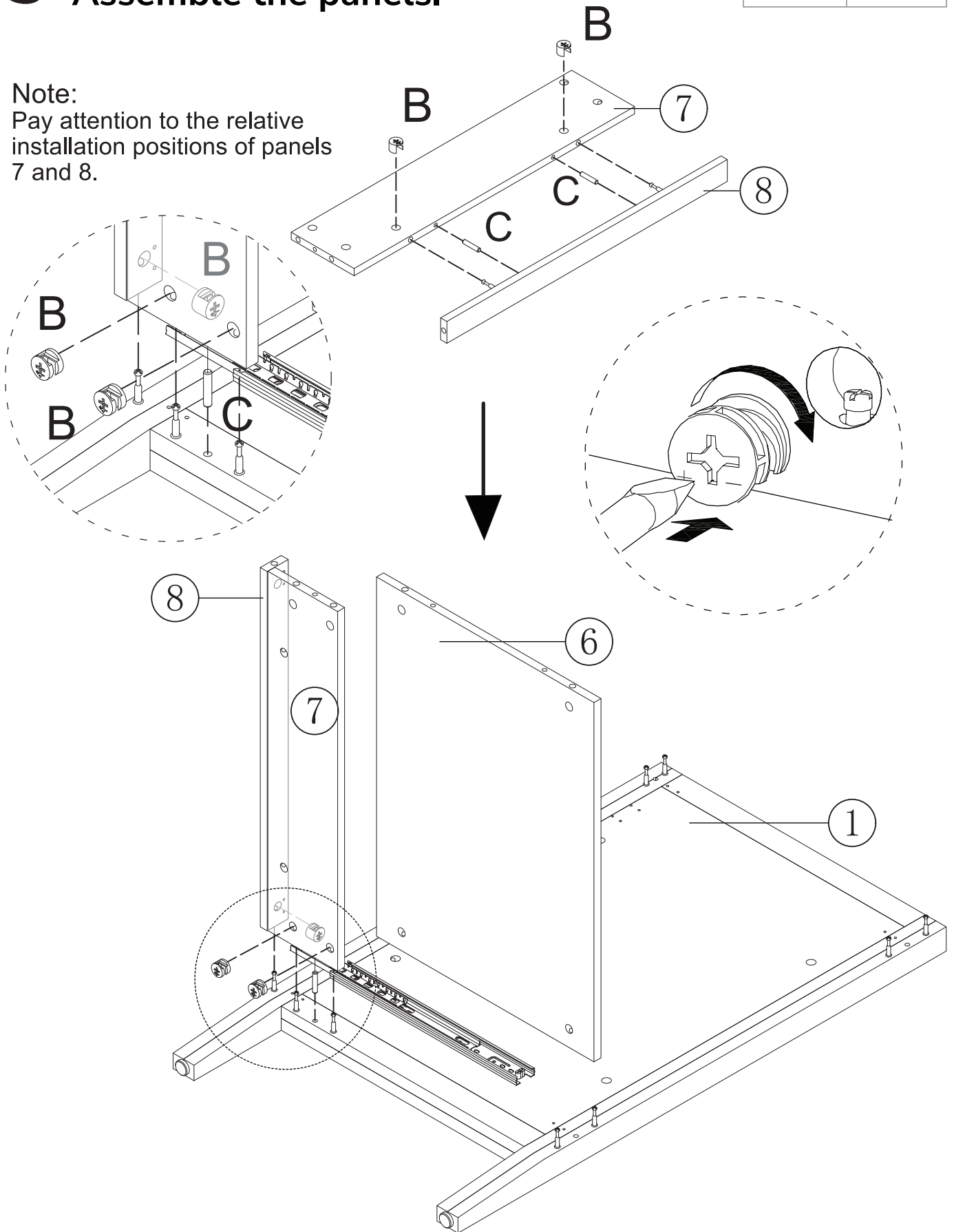
Note:

- 1、 The screw cap **should be placed in the direction** shown in the diagram.
- 2、 Tighten towards "+" and loosen towards "-".

5 Assemble the panels.


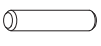
	
[B] x5	[C] x3

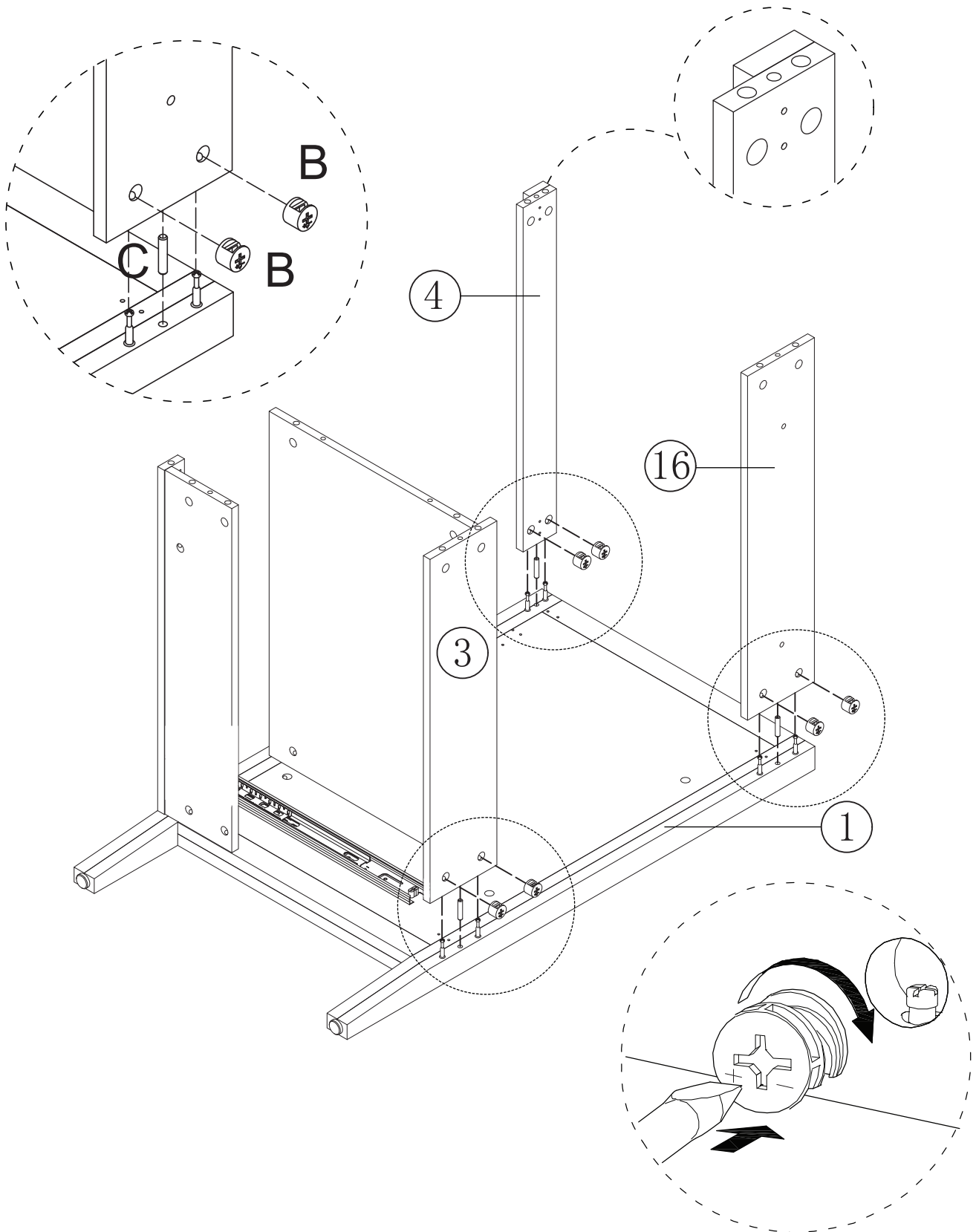
Note:
Pay attention to the relative installation positions of panels 7 and 8.



Note:
1. The screw cap **should be placed in the direction** shown in the diagram.
2. Tighten towards "+" and loosen towards "-".

6 Assemble the panels.


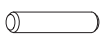
	
[B] x6	[C] x3

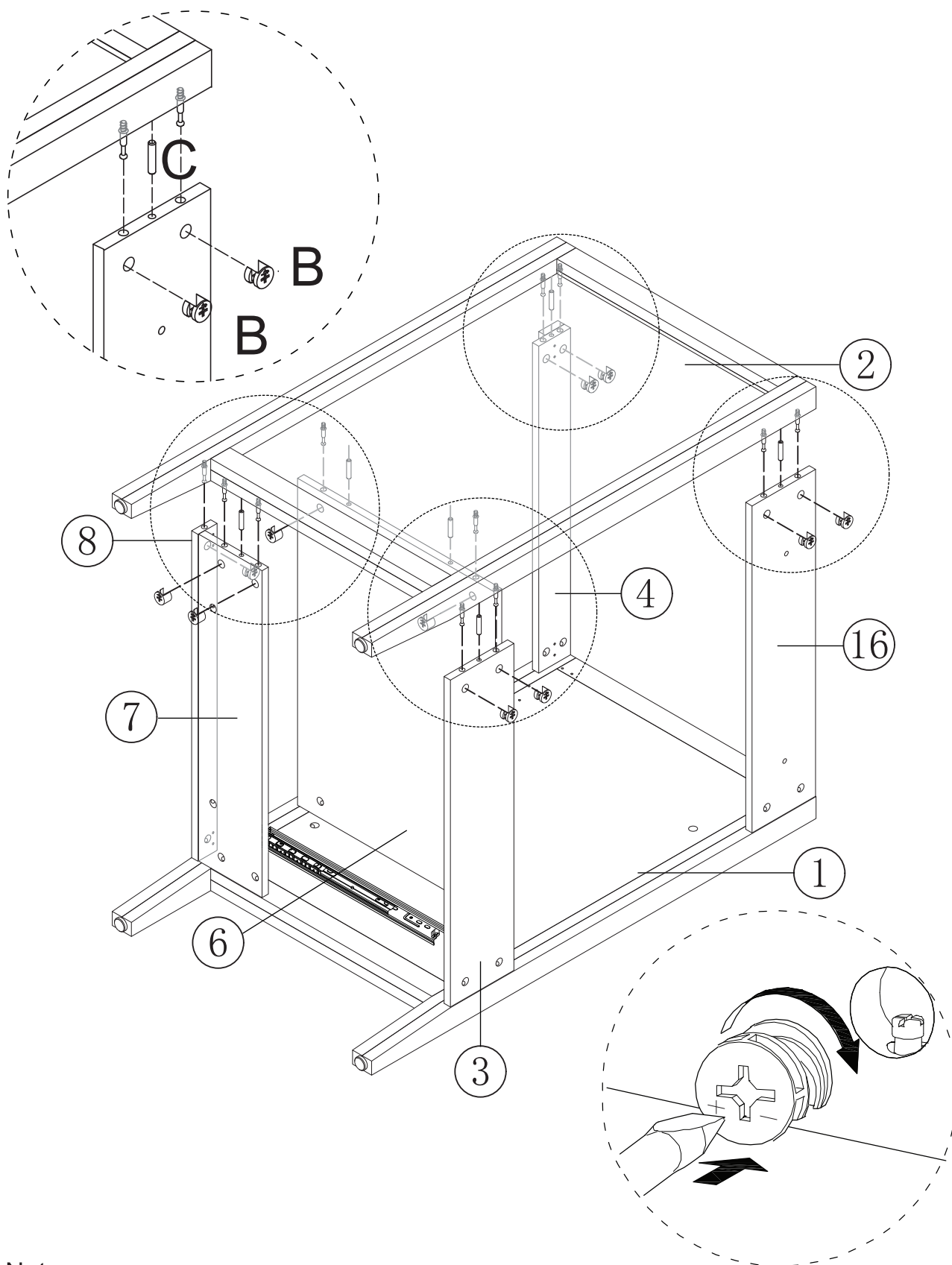


Note:

- 1、 The screw cap **should be placed in the direction** shown in the diagram.
- 2、 Tighten towards "+" and loosen towards "-".

7 Assemble the panels.



	
[B] x11	[C] x6

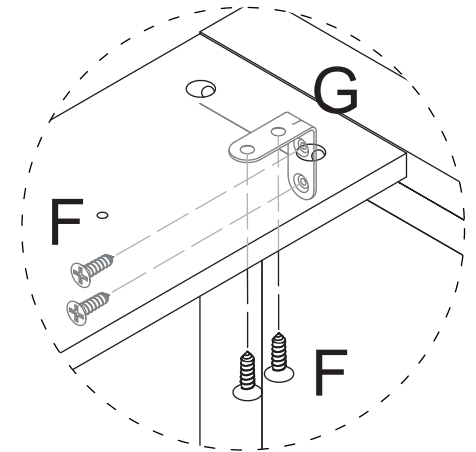
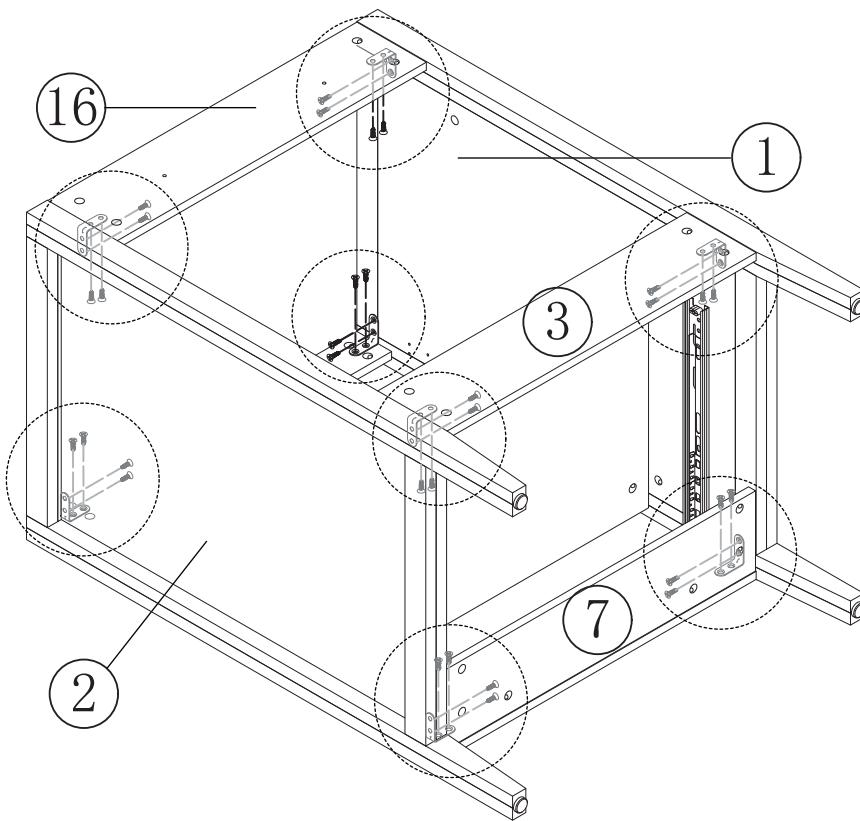


Note:

1. The screw cap **should be placed in the direction** shown in the diagram.
2. Tighten towards "+" and loosen towards "-".





8 Install the corner brackets.

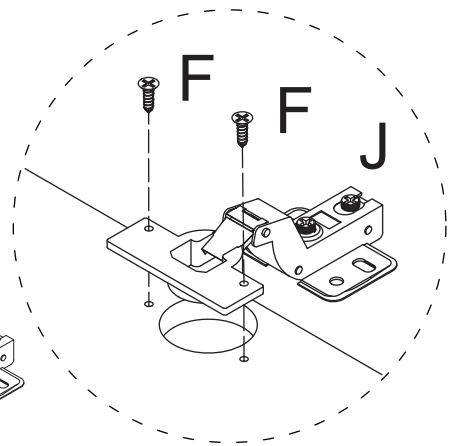
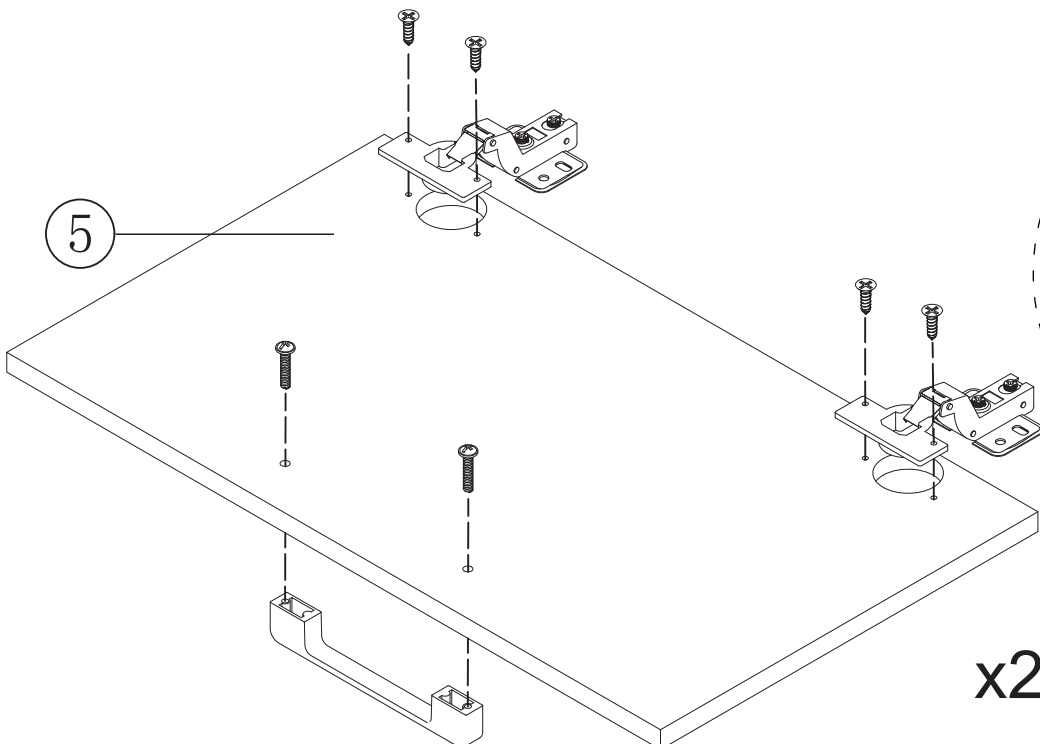
	
[F] x32	[G] x8



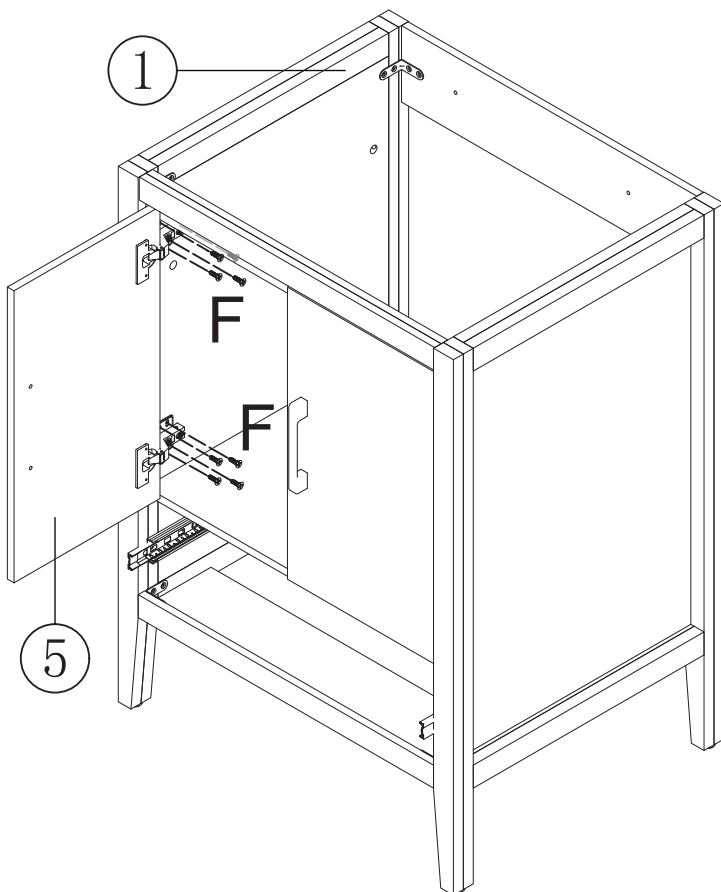
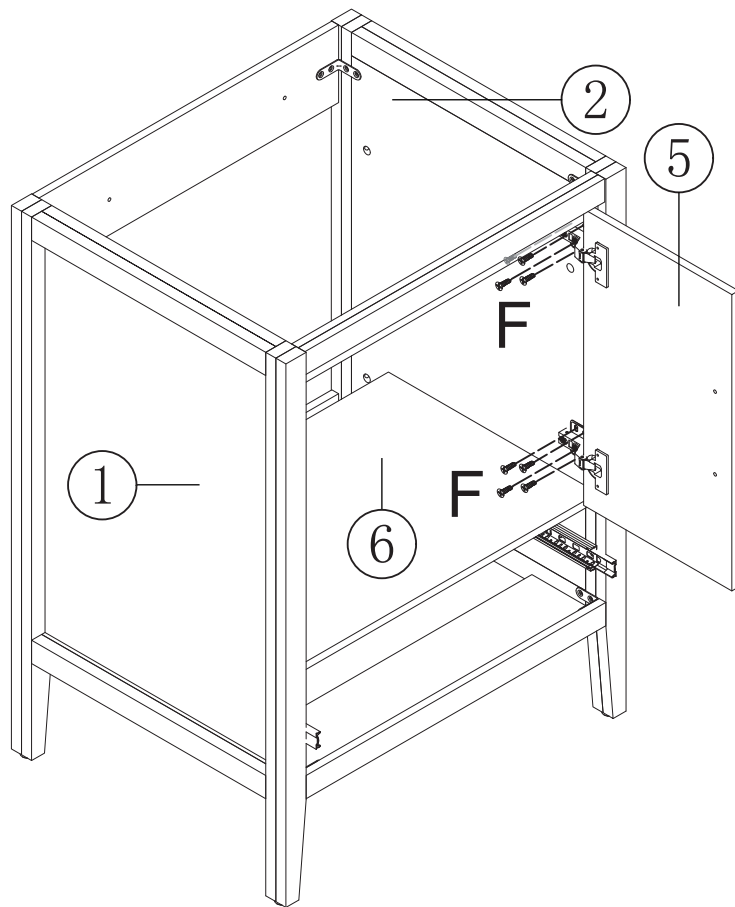
Note:
A total of 8 corner brackets should be installed.

9 Install the hinges and door handles.

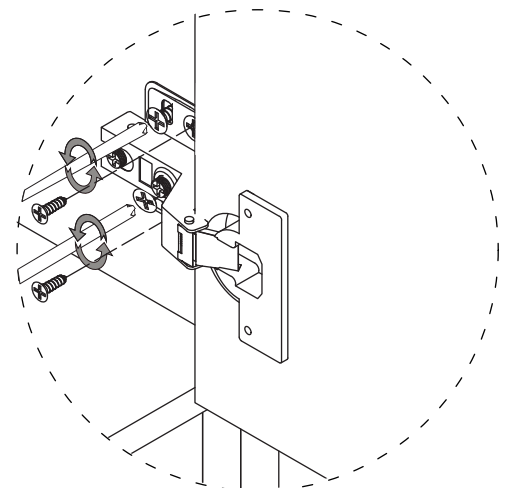
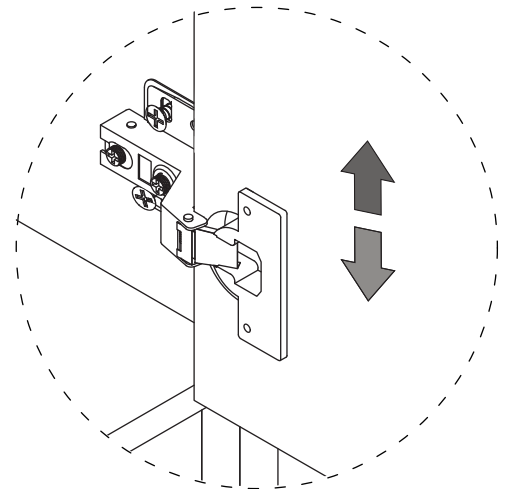
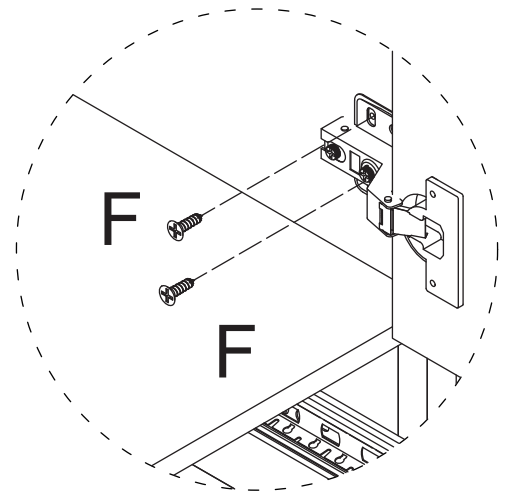
	
[E] x4	[F] x8
	
[I] x2	[J] x4



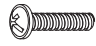


10 Install the doors.

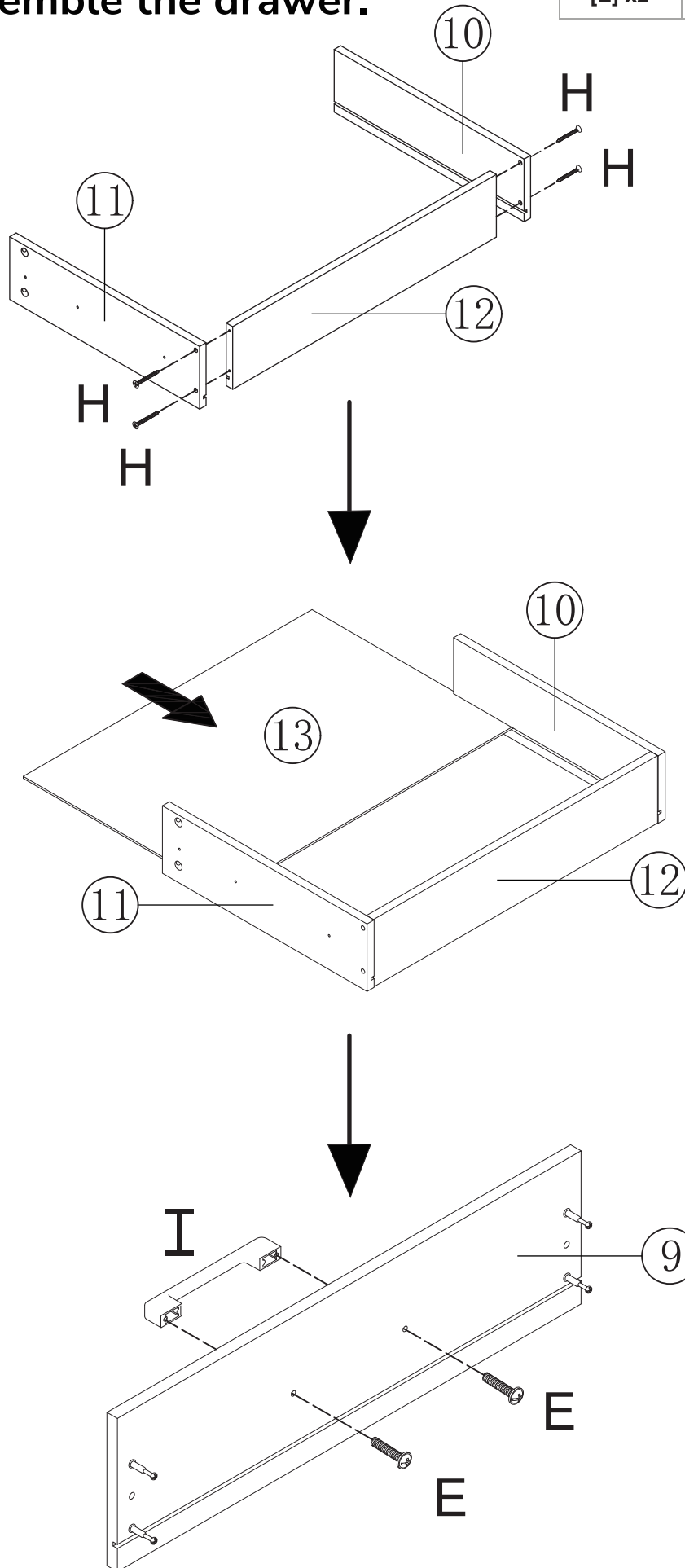


Note:
Tighten the rear two screws only halfway. Adjust the door to the desired position and finally fully tighten the front and rear screws.


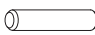




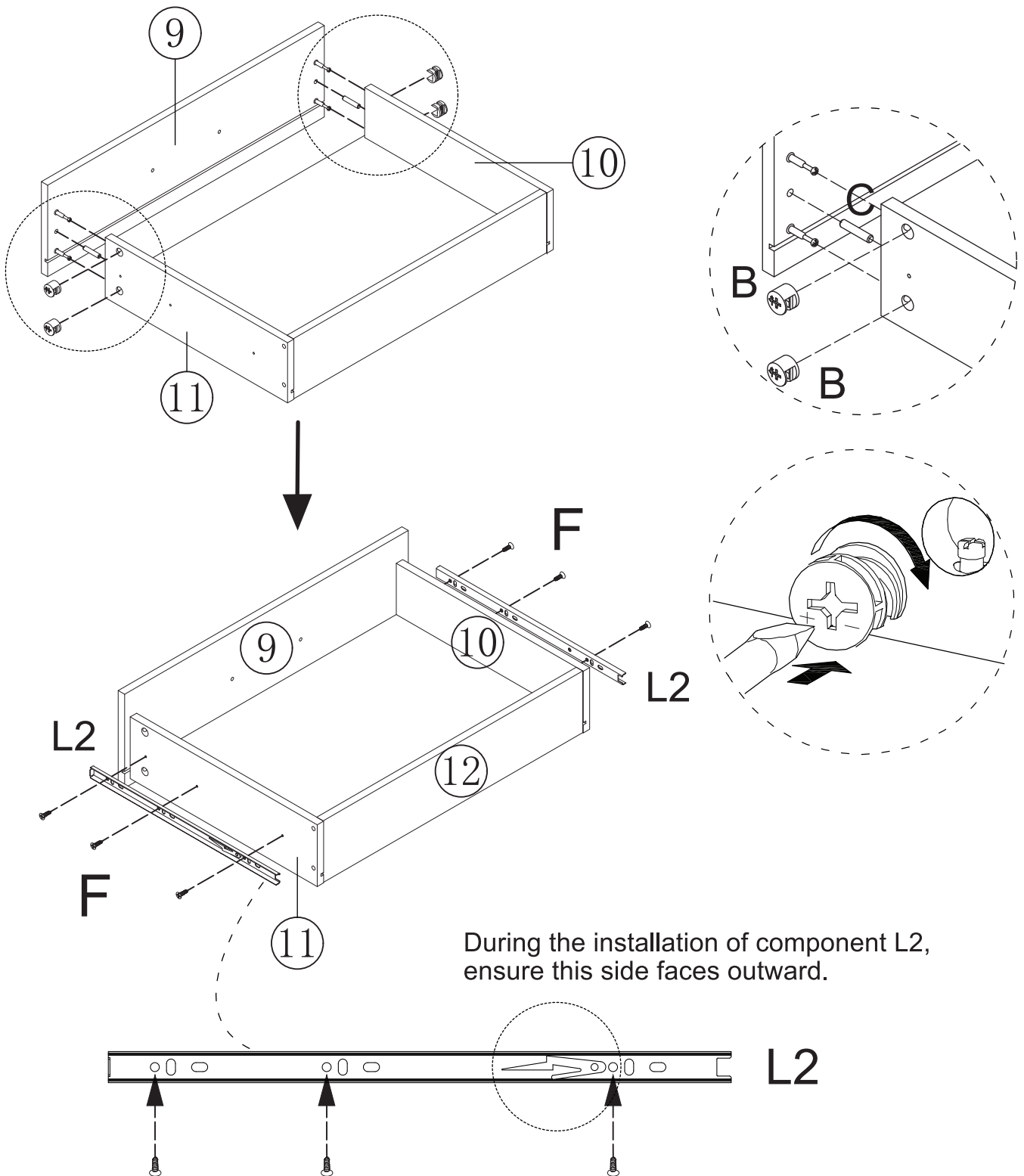
11 Assemble the drawer.

		
[E] x2	[H] x4	[I] x1



12 Mount slide rail L2.

			
[B] x4	[C] x2	[L2] x2	[F] x6



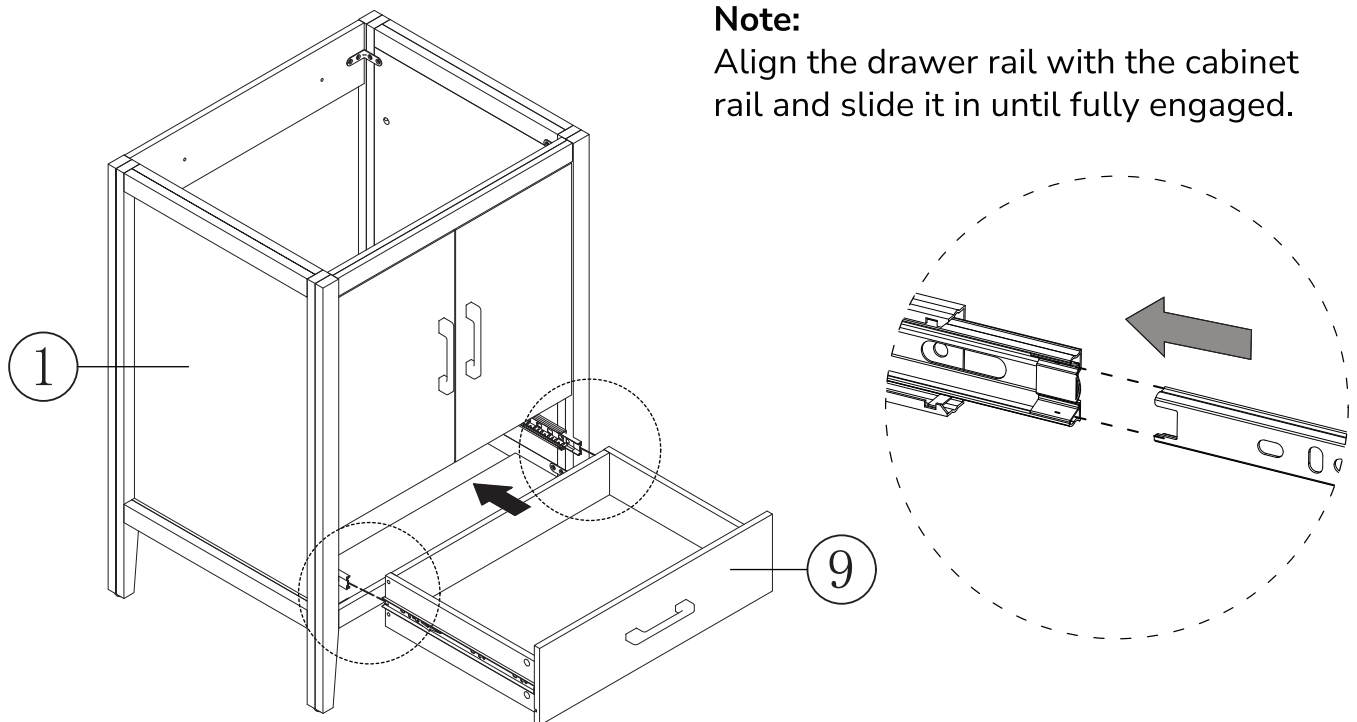
Note:

1. The screw cap **should be placed in the direction** shown in the diagram.
2. Tighten towards "+" and loosen towards "-".

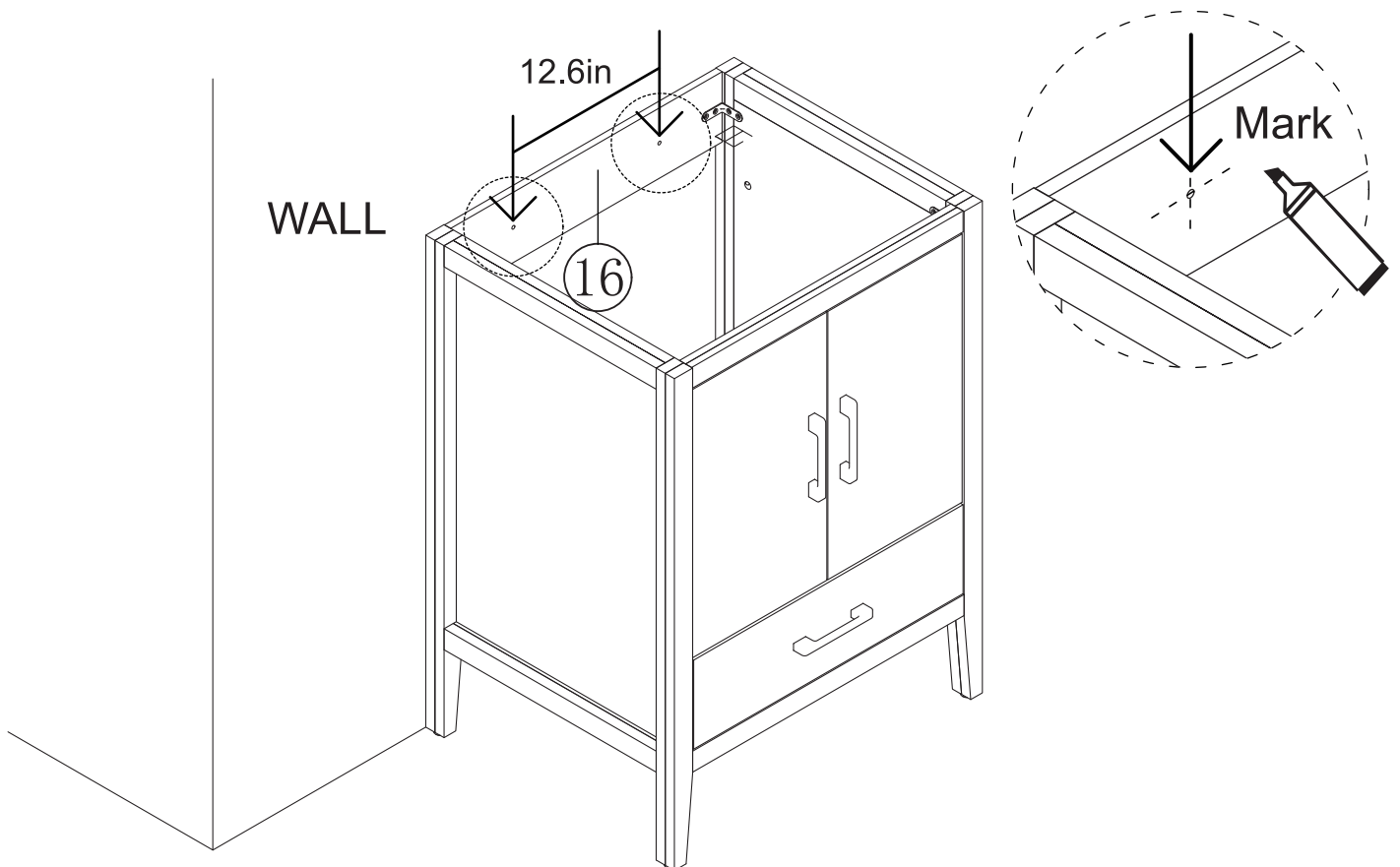
13 Install the drawer.

Note:

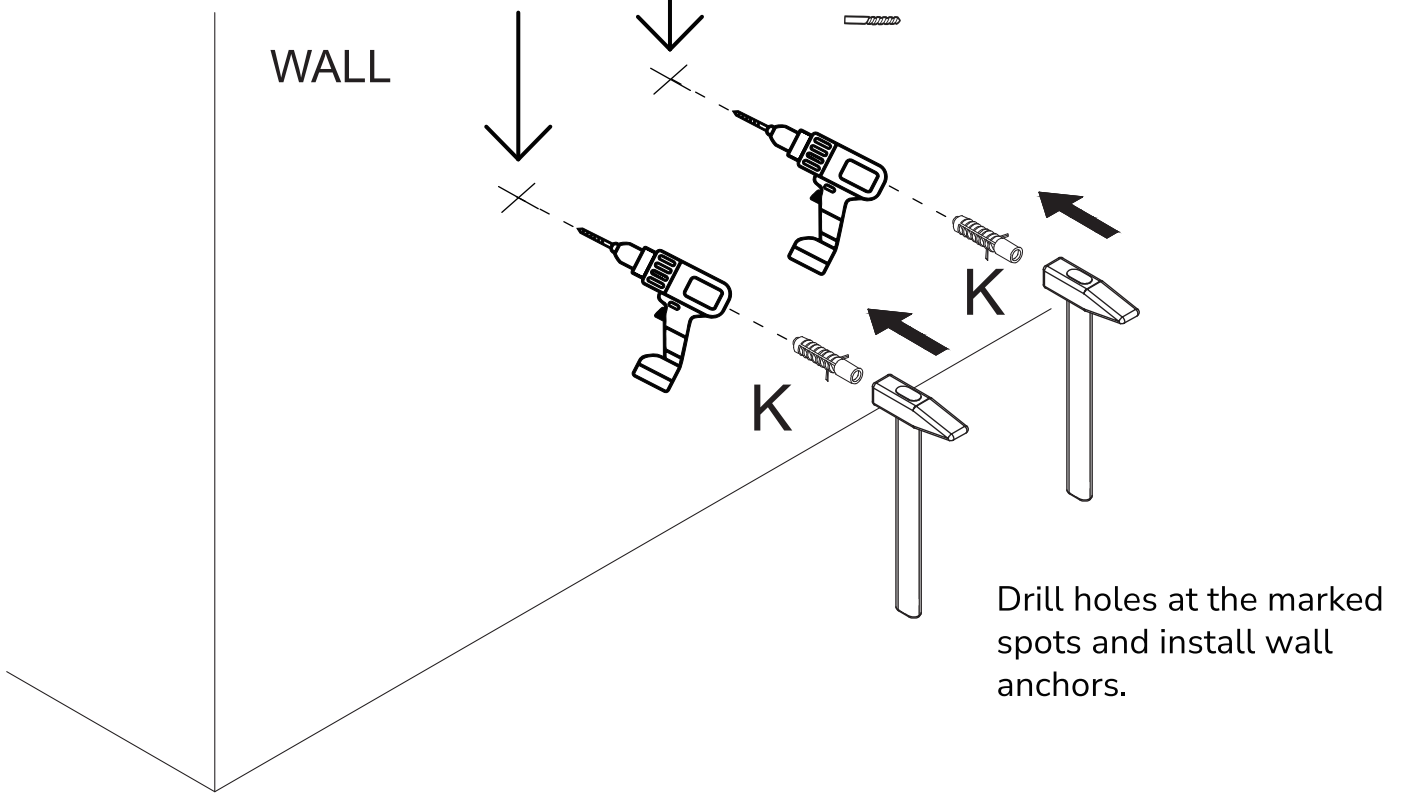
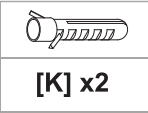
Align the drawer rail with the cabinet rail and slide it in until fully engaged.



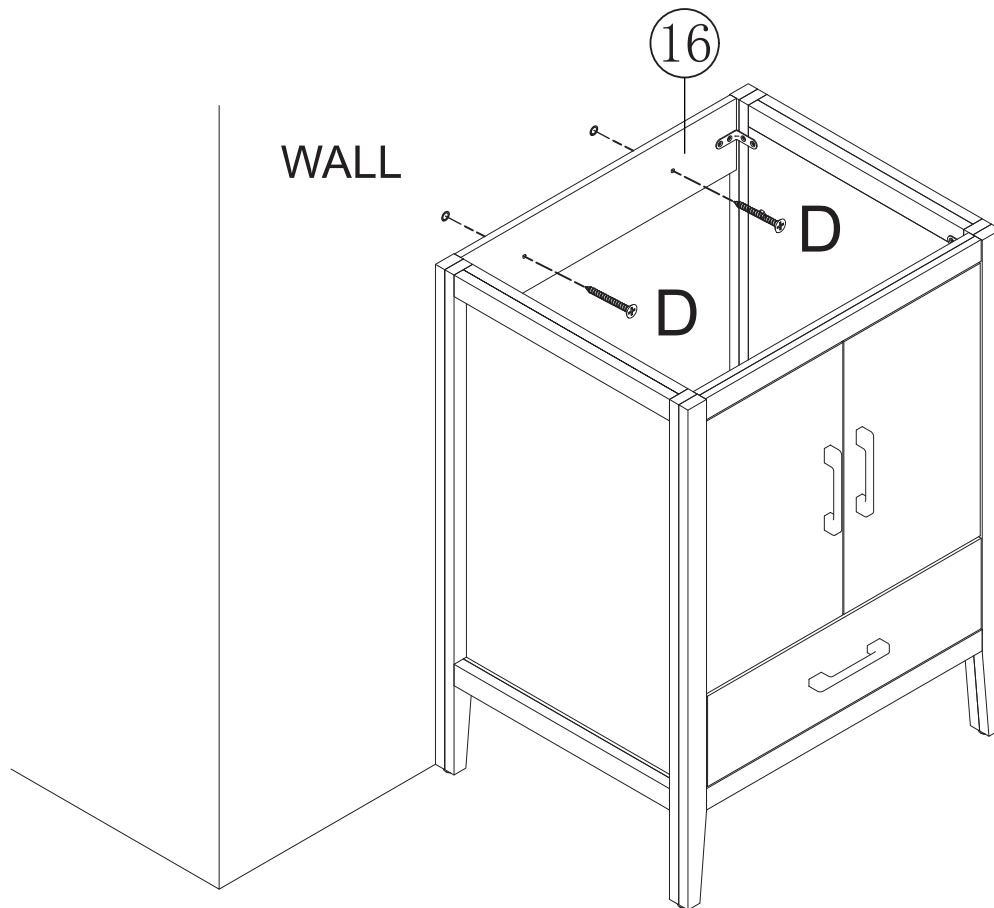
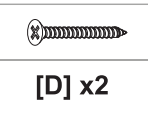
14-1 Anti-tip Safety.



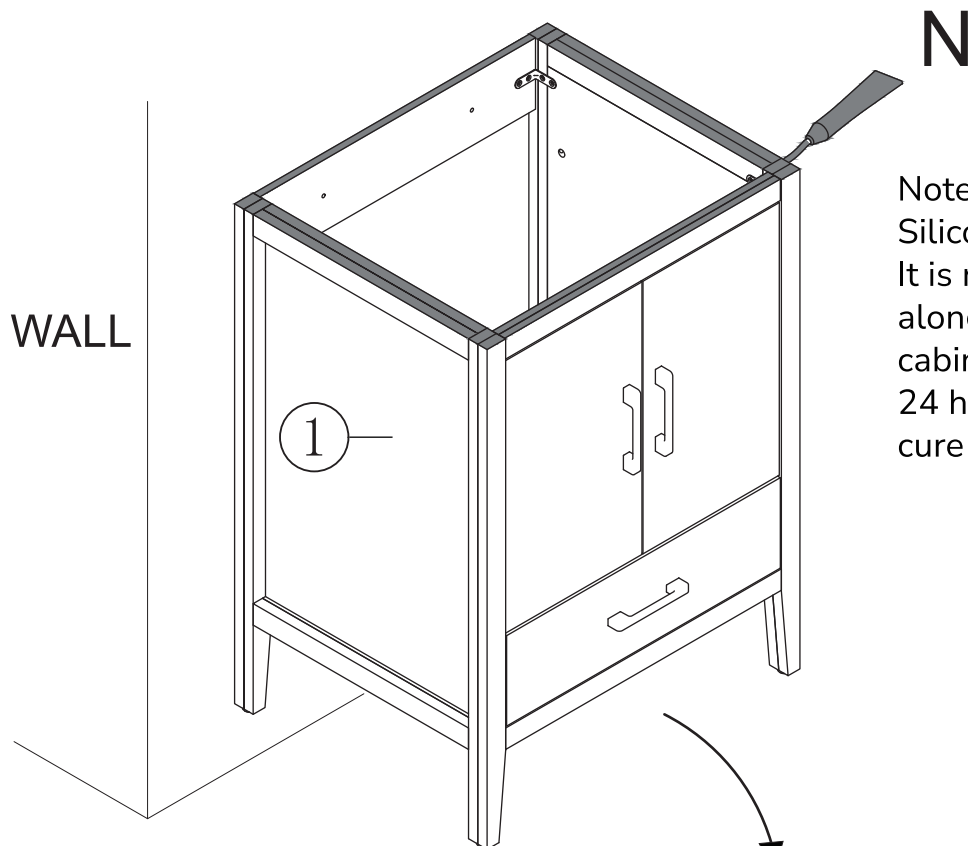
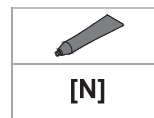
14-2



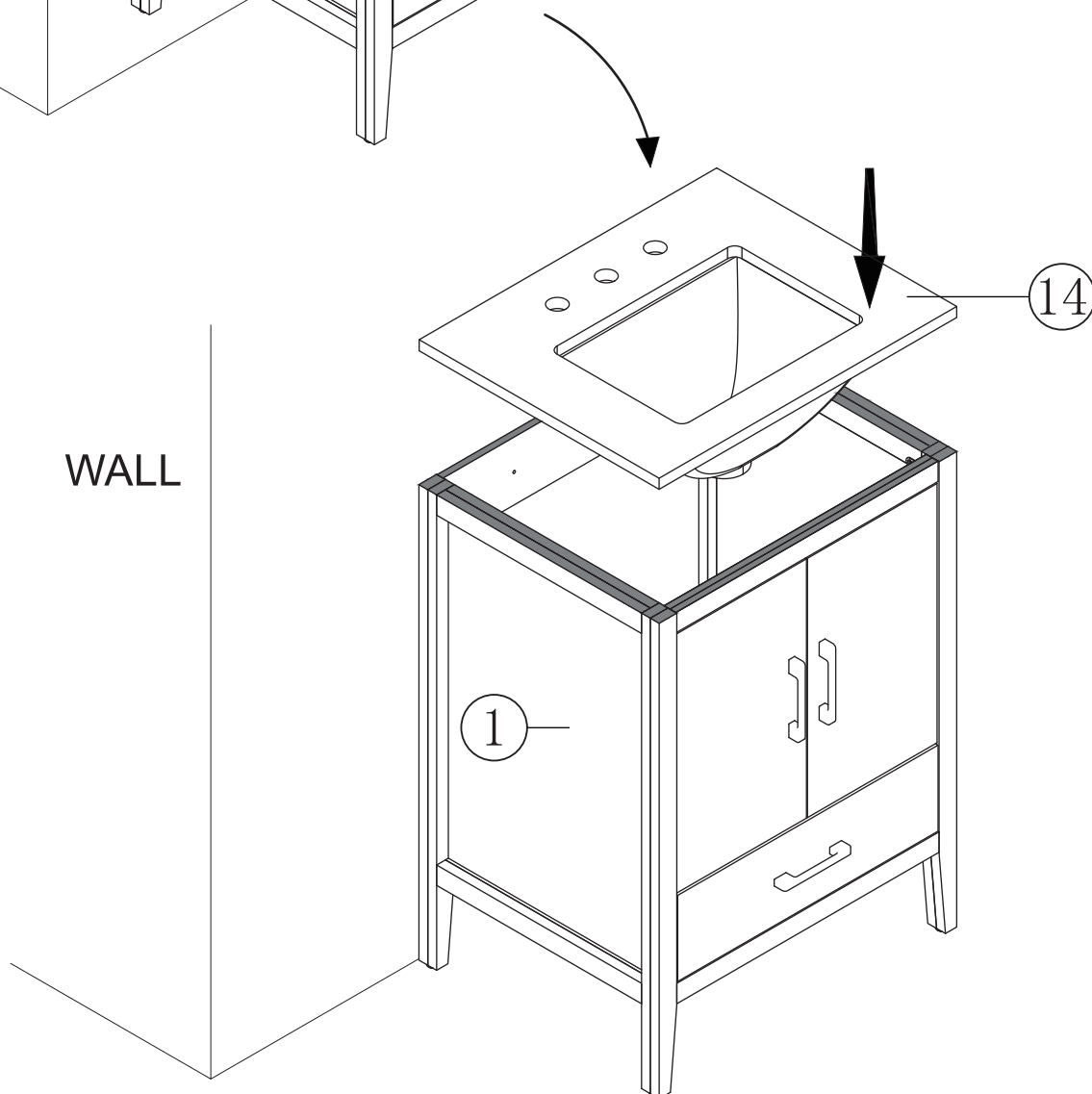
14-3



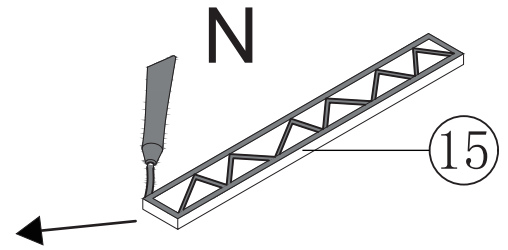
15 Install the basin.



Note:
Silicone sealant is not included.
It is recommended to apply it
along the edges between the
cabinet and basin, then allow
24 hours for the sealant to fully
cure before use.

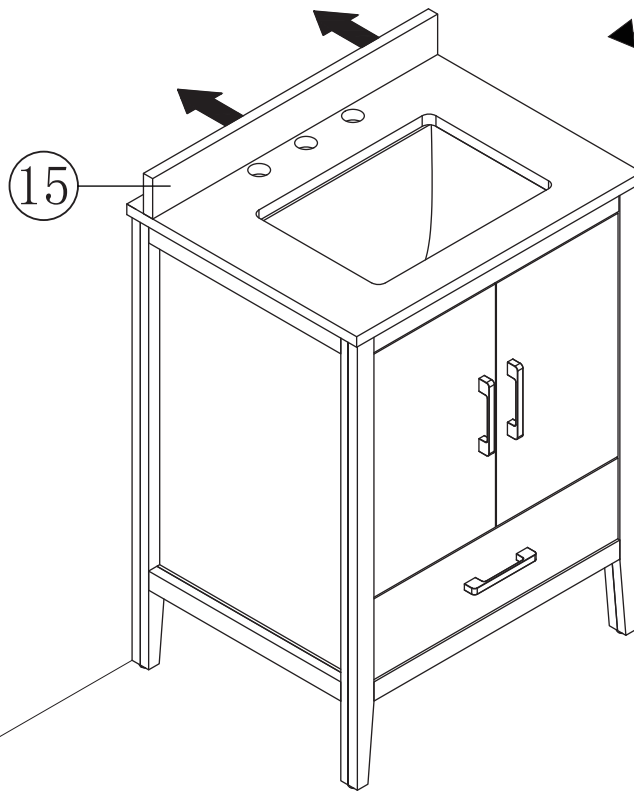


16 Install the backsplash.

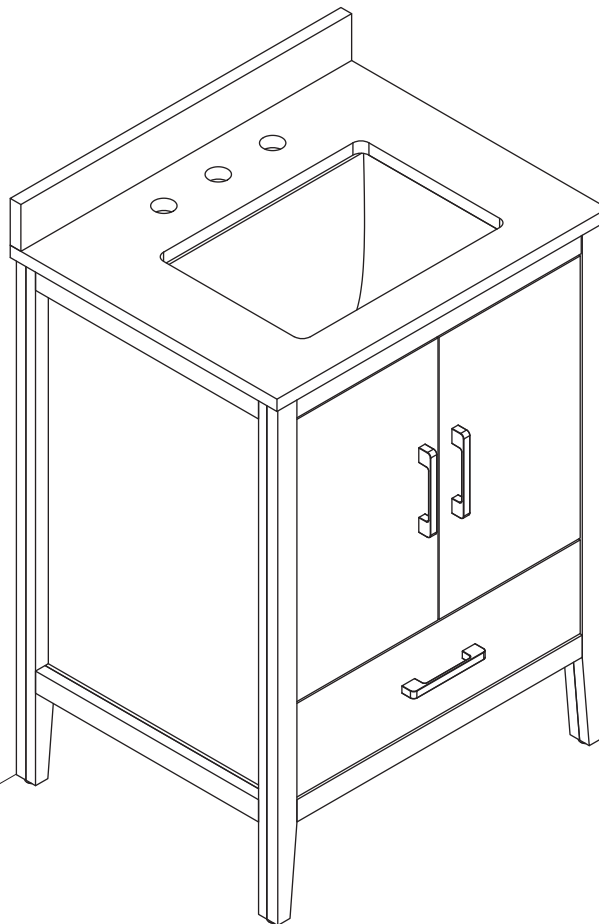


Note:
Silicone sealant is not included. It is recommended to apply silicone sealant to the back of the splash guard and adhere it to the wall as shown in the diagram, then allow 24 hours for the sealant to fully cure before use.

WALL



17



FINISH

HOW TO ADJUST HINGES

