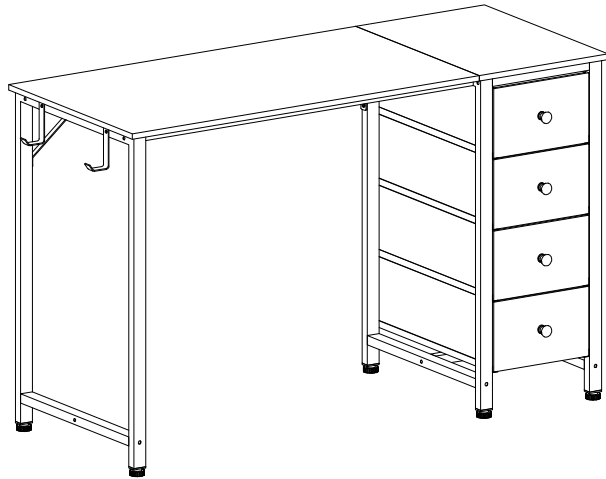


Important:

Option 1

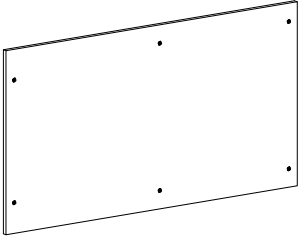
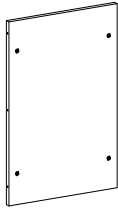

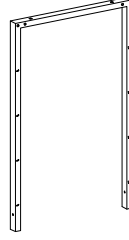
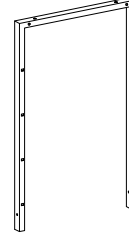
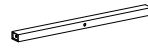
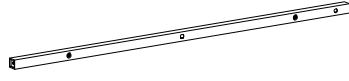





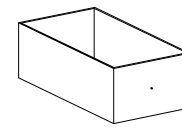
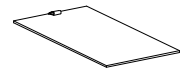


Option 2


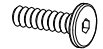




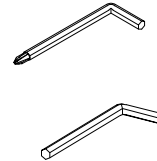
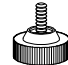


- 1.It's recommended to have two people for the installation, this will significantly improve your efficiency.
- 2.Before you begin: lay out all of the parts on a non-abrasive surface to identify the number tags in the manual and count before assembly. please use the screws correctly to avoid popping the desk panel.
- 3.For a smooth assembly process, we suggest you keep a lite tightness for all the screws during assembly. After the whole desk is assembled, firmly tighten all the screws.

Part list

 <p>A</p> <p>x1</p>	 <p>I</p> <p>x1</p>	 <p>B</p> <p>x1</p>	 <p>C</p> <p>x1</p>	 <p>D</p> <p>x1</p>	 <p>E</p> <p>x3</p>	 <p>F</p> <p>x2</p>
 <p>H</p> <p>x2</p>	 <p>L</p> <p>x4</p>	 <p>R</p> <p>x4</p>	 <p>X</p> <p>x2</p>	 <p>Y</p> <p>x2</p>	 <p>P</p> <p>x4</p>	 <p>Q</p> <p>x4</p>

Hardware list

 <p>1</p> <p>M6x12 x6</p>	 <p>2</p> <p>Desktop Lock Specialized M6x28 x10</p>	 <p>3</p> <p>M6x40 x6</p>	 <p>4</p> <p>M6x50 x8</p>	 <p>5</p> <p>x4</p>	 <p>6</p> <p>x3</p>	 <p>7</p> <p>x1</p>	 <p>8</p> <p>x6</p>
--	--	--	---	--	---	--	--

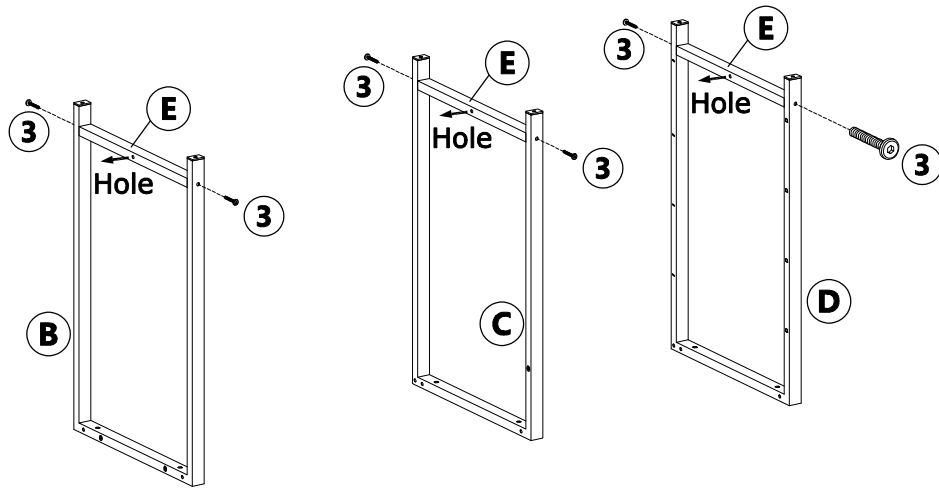
⚠ Note: The desktop can only be fixed with screws **2 with different colors !
Please use the correct screws for assembling**

Thank you for choosing our product.

Feel free to contact us in case of any problem regarding assembling or the product itself. Our Customer Service organization can answer most concerns and can assist you with any questions you may have about your product.

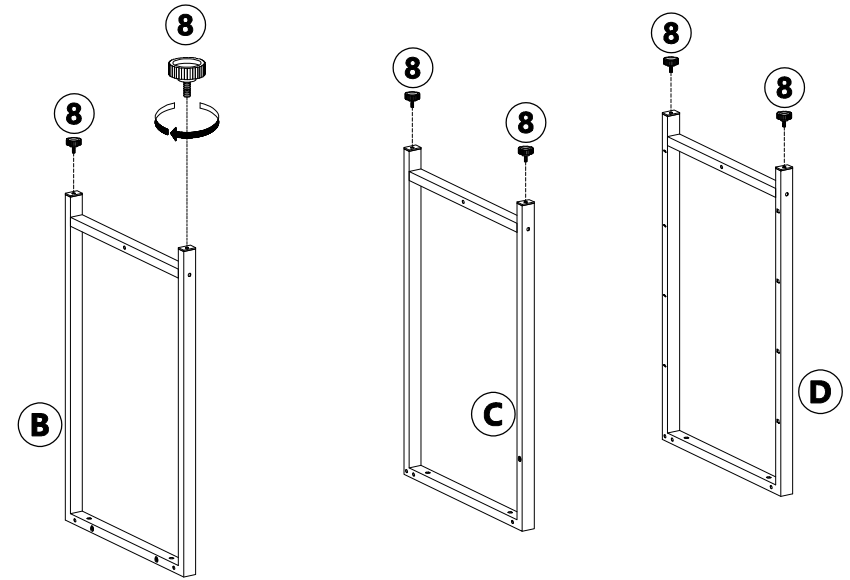
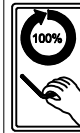
Your satisfaction is our highest pursuit.

1



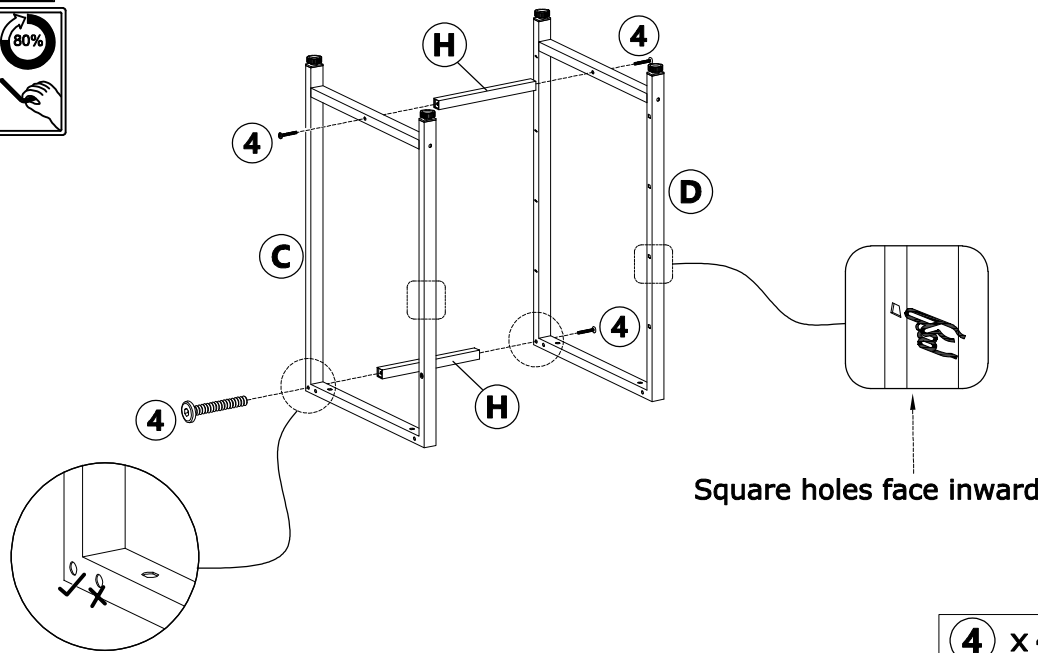
3 x 6

2



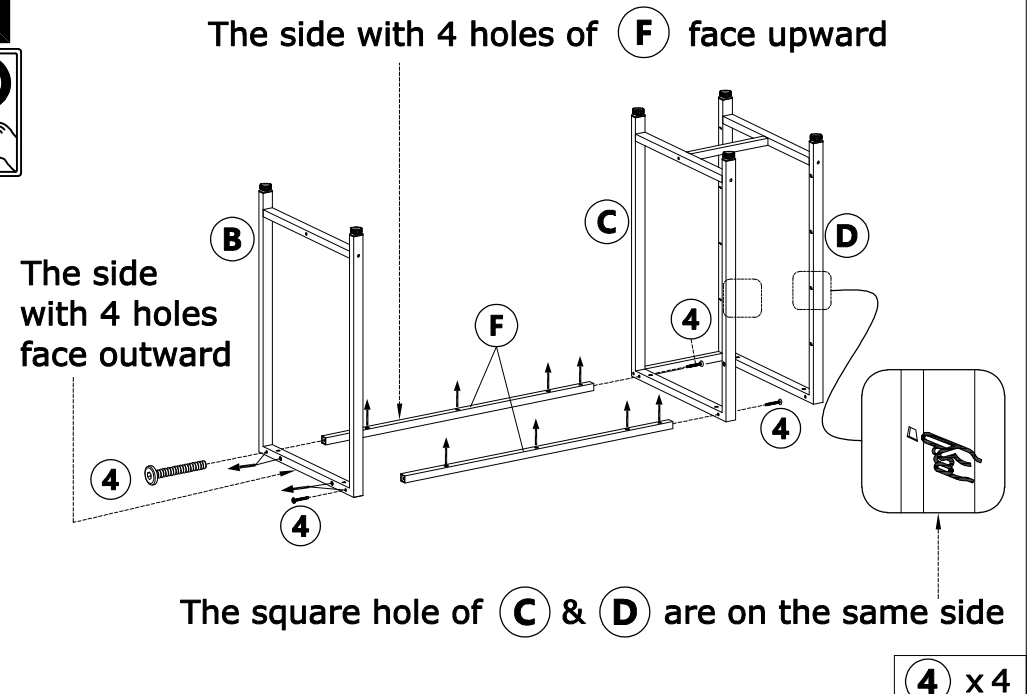
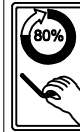
8 x 6

3



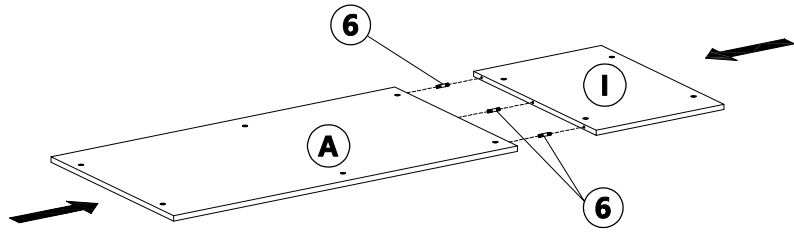
4 x 4

4



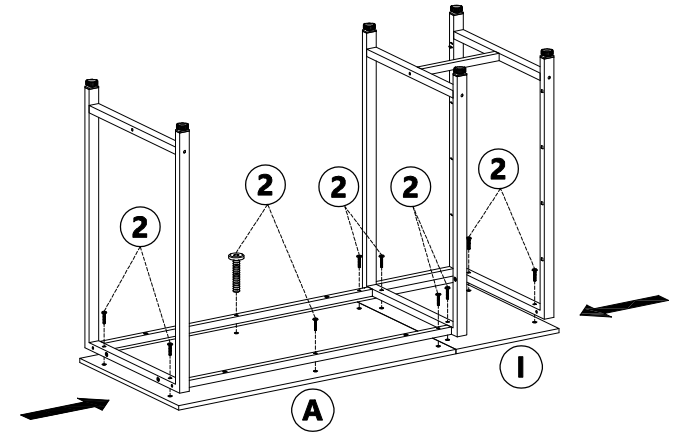
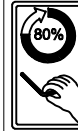
4 x 4

5



6 x 3

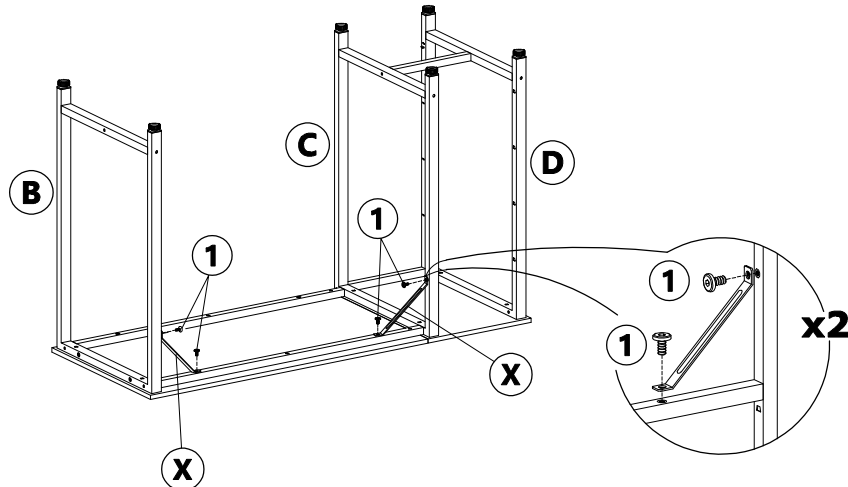
6



⚠ Do not use the wrong screws, the desktop can only be fixed with screws 2 !

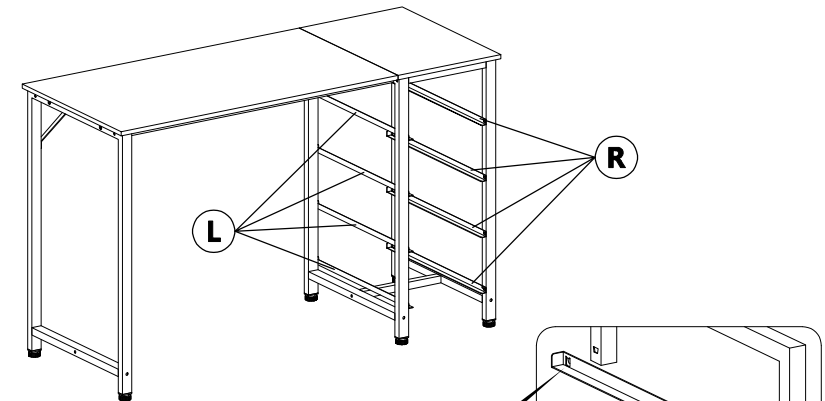
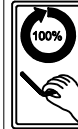
2 x 10

7



1 x 4

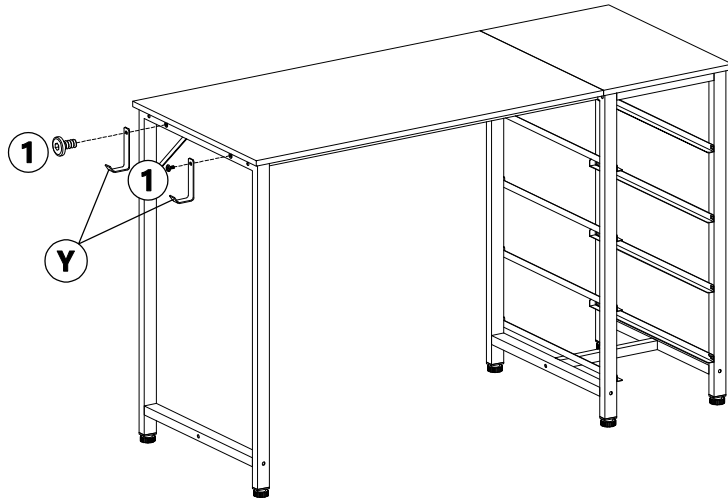
8



Note: If the metal tab is not protruding, pry it open slightly.

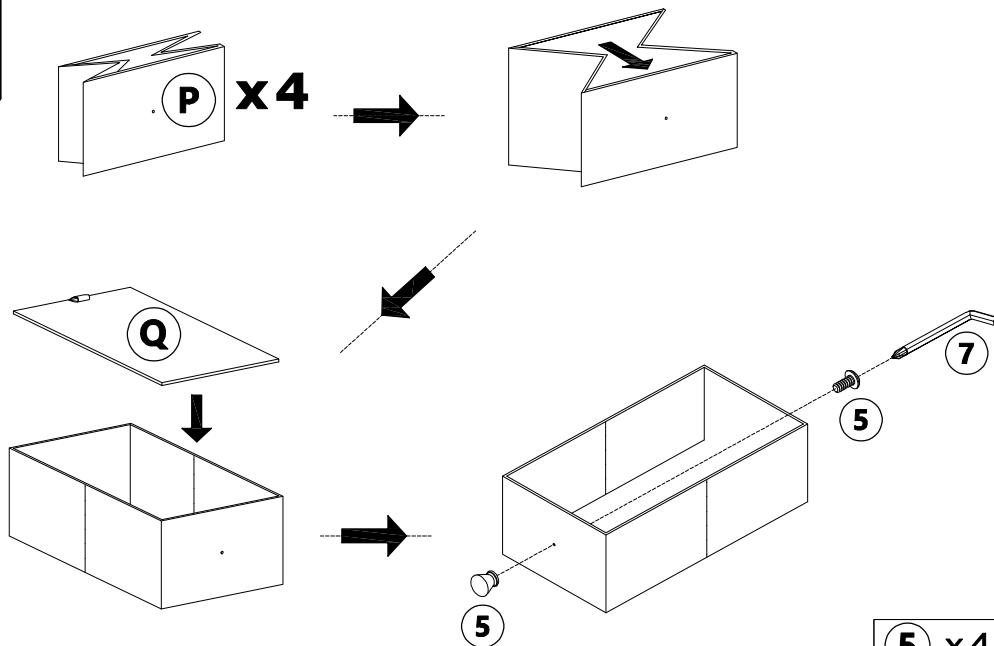
Note: To install, this end should be inserted firstly, To remove, pull the other end up firstly.

9



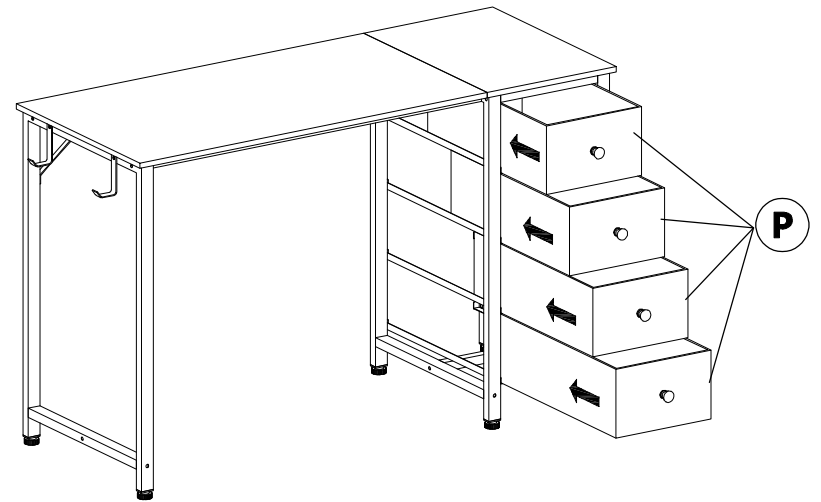
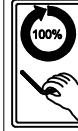
1 x 2

10



5 x 4

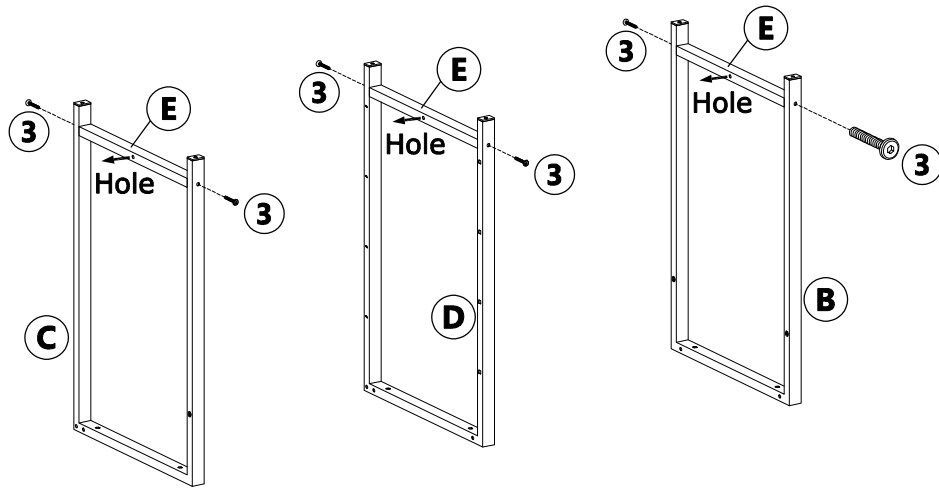
11



Assembly Instruction

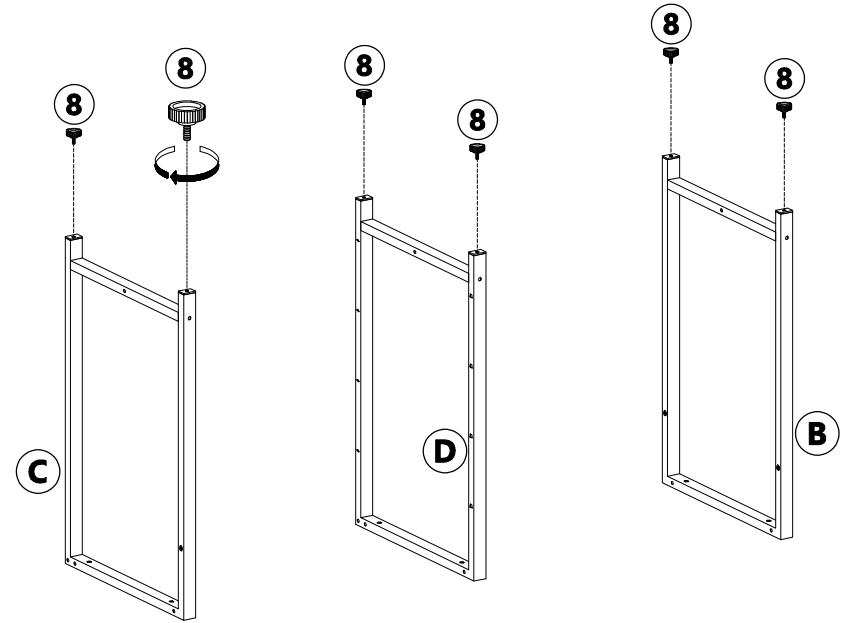
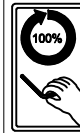
Option 2

1



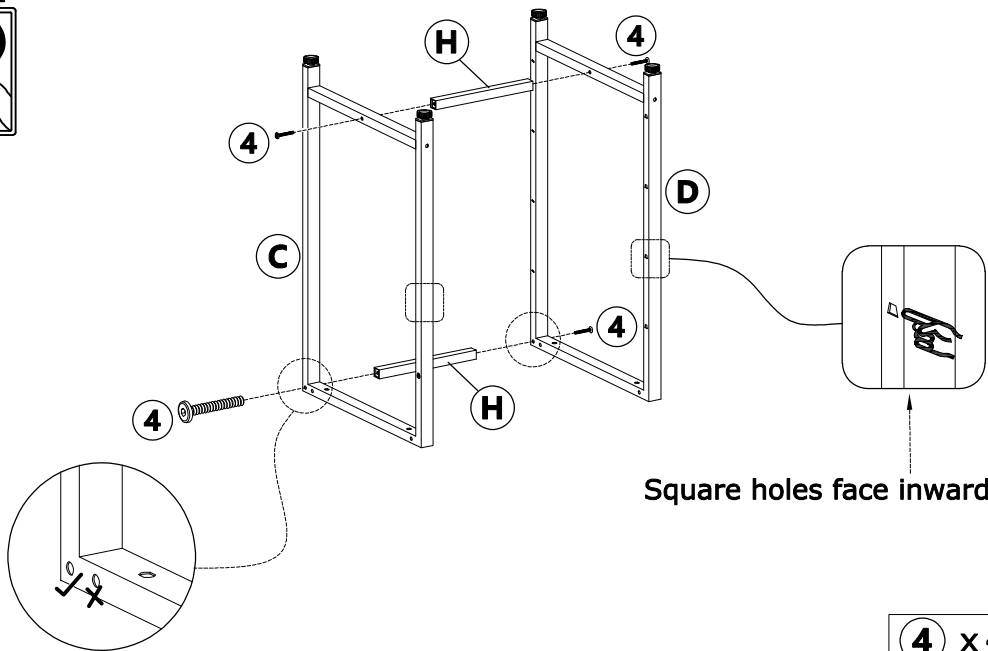
3 x 6

2



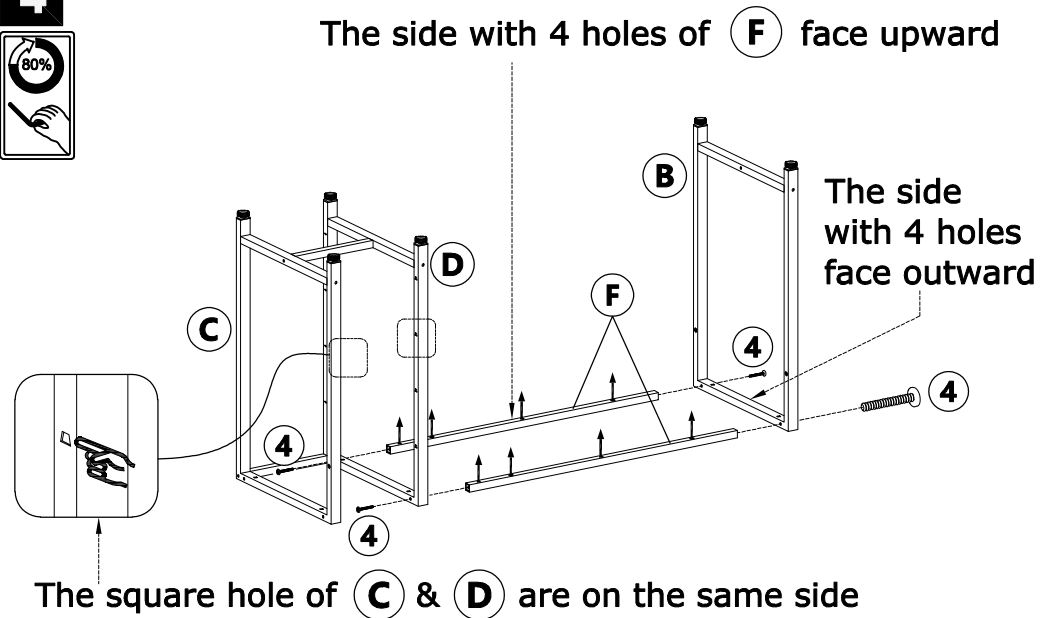
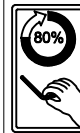
8 x 6

3



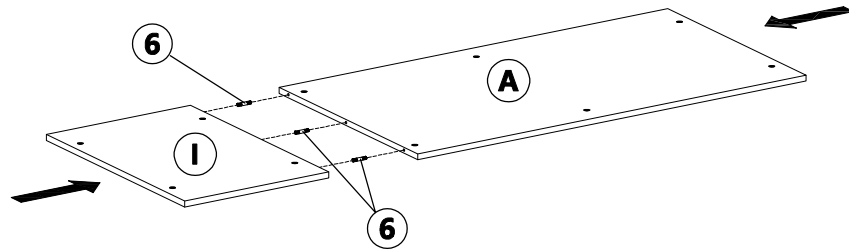
4 x 4

4



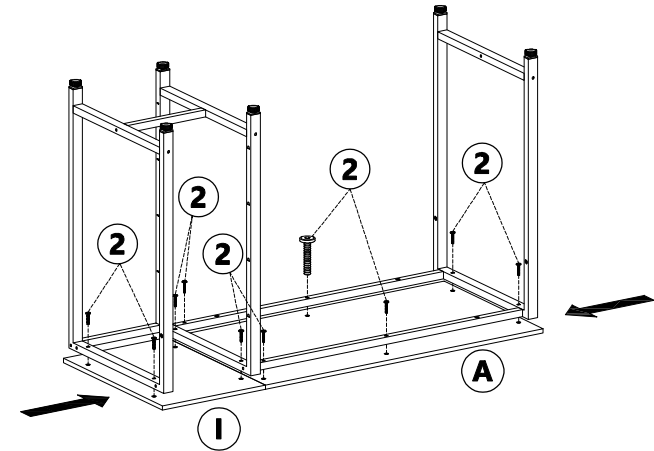
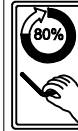
4 x 4

5



6 x 3

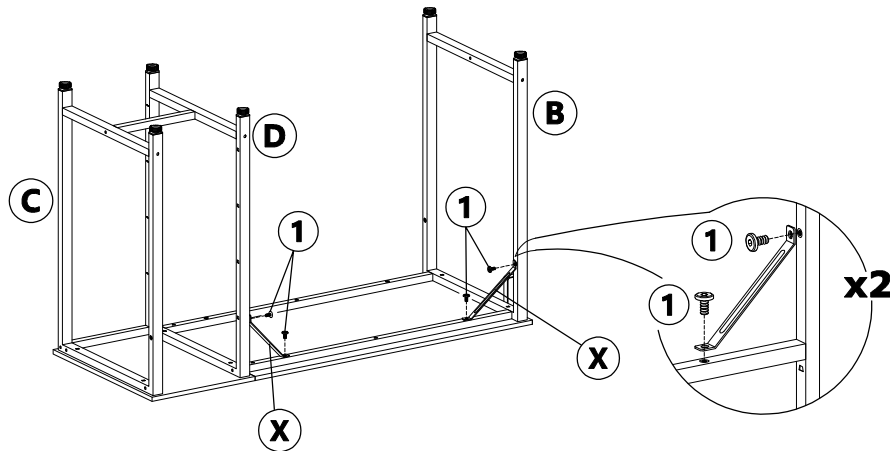
6



! Do not use the wrong screws, the desktop can only be fixed with screws **2** !

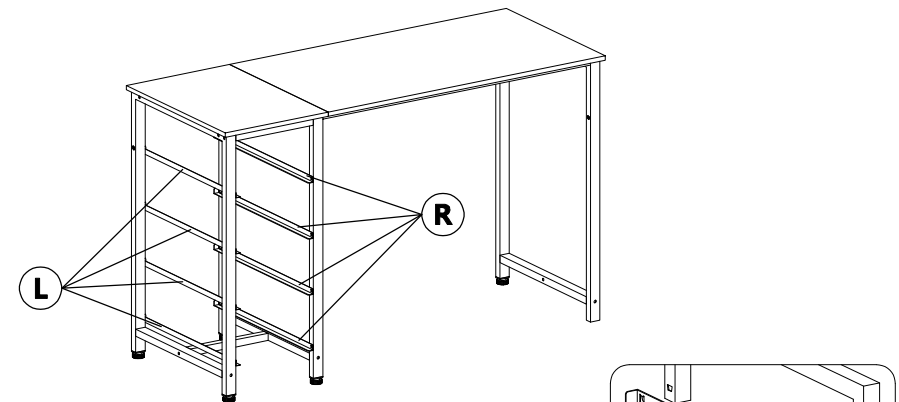
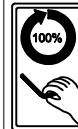
2 x 10

7



1 x 4

8



Note: If the metal tab is not protruding, pry it open slightly.

Note: To install, this end should be inserted firstly, To remove, pull the other end up firstly.

