

# *ASSEMBLY INSTRUCTIONS*



*END TABLE*

PAGE 1 OF 5

# ASSEMBLY INSTRUCTIONS

## ASSEMBLY TIPS:

1. Remove hardware from box and sort by size.
2. Please check to see that all hardware and parts are present prior to start of assembly.
3. Please follow attached instructions in the same sequence as numbered to assure fast & easy assembly.



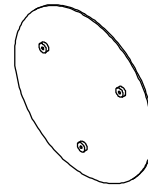
## WARNING!

1. Don't attempt to repair or modify parts that are broken or defective. Please contact the store immediately.
2. This product is for home use only and not intended for commercial establishments.

ASSEMBLY TIME 15 MINUTES

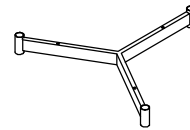
## PARTS IDENTIFICATION

A TOP GLASS



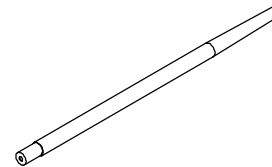
1PC

B TOP FRAME



1PC

C LEG



3PCS

Z

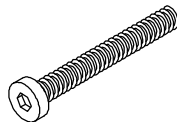
## HARDWARE IDENTIFICATION

1 SHORT BOLT  
(1/4" x 18mm BLK)



3PCS

2 LONG BOLT  
(1/4" x 45mm BLK)



3PCS

3 LARGE ROUND CAP  
( $\phi$ 25mm BLK)



3PCS

4 SMALL ROUND CAP  
( $\phi$ 18mm BLK)



3PCS

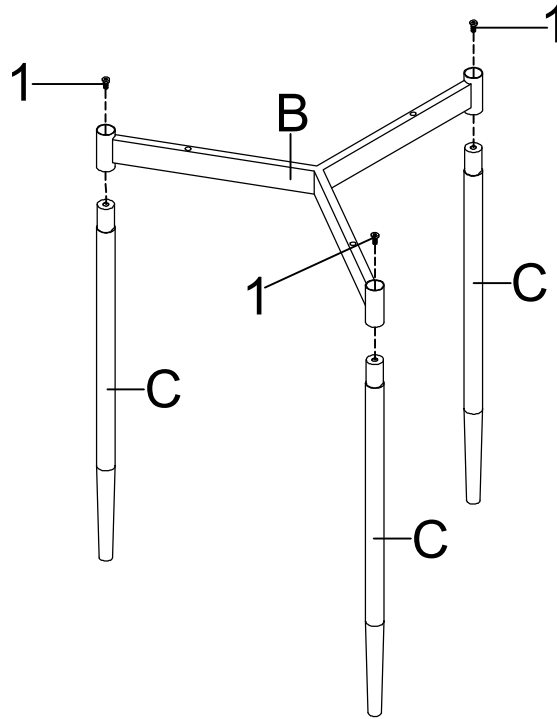
5 ALLEN WRENCH  
(4mm)



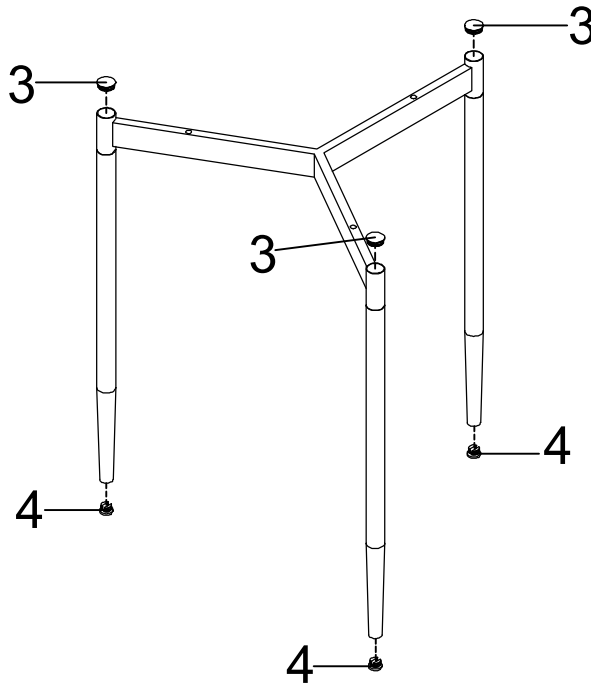
1PC

# ASSEMBLY INSTRUCTIONS

**STEP 1** Do not tighten until each step is completed or instructed.

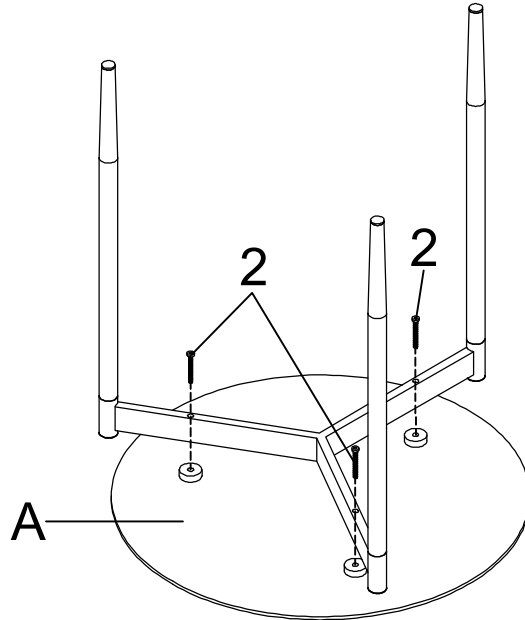


## STEP 2



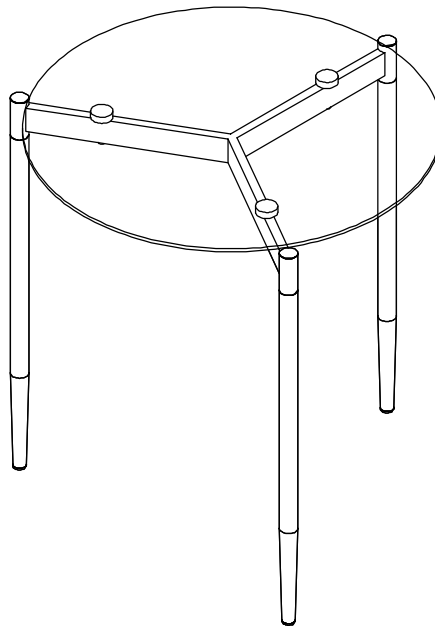
# ASSEMBLY INSTRUCTIONS

## STEP 3



## STEP 4

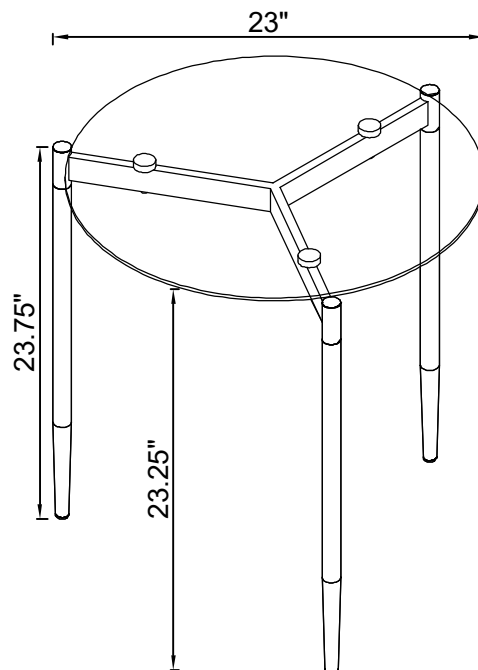
### COMPLETE



# ASSEMBLY INSTRUCTIONS

**Product Size : 585 DIA X 604 H (MM)**

**Product Size : 23" DIA X 23.75"**



Note : Dimension tolerance  $\pm 5\%$