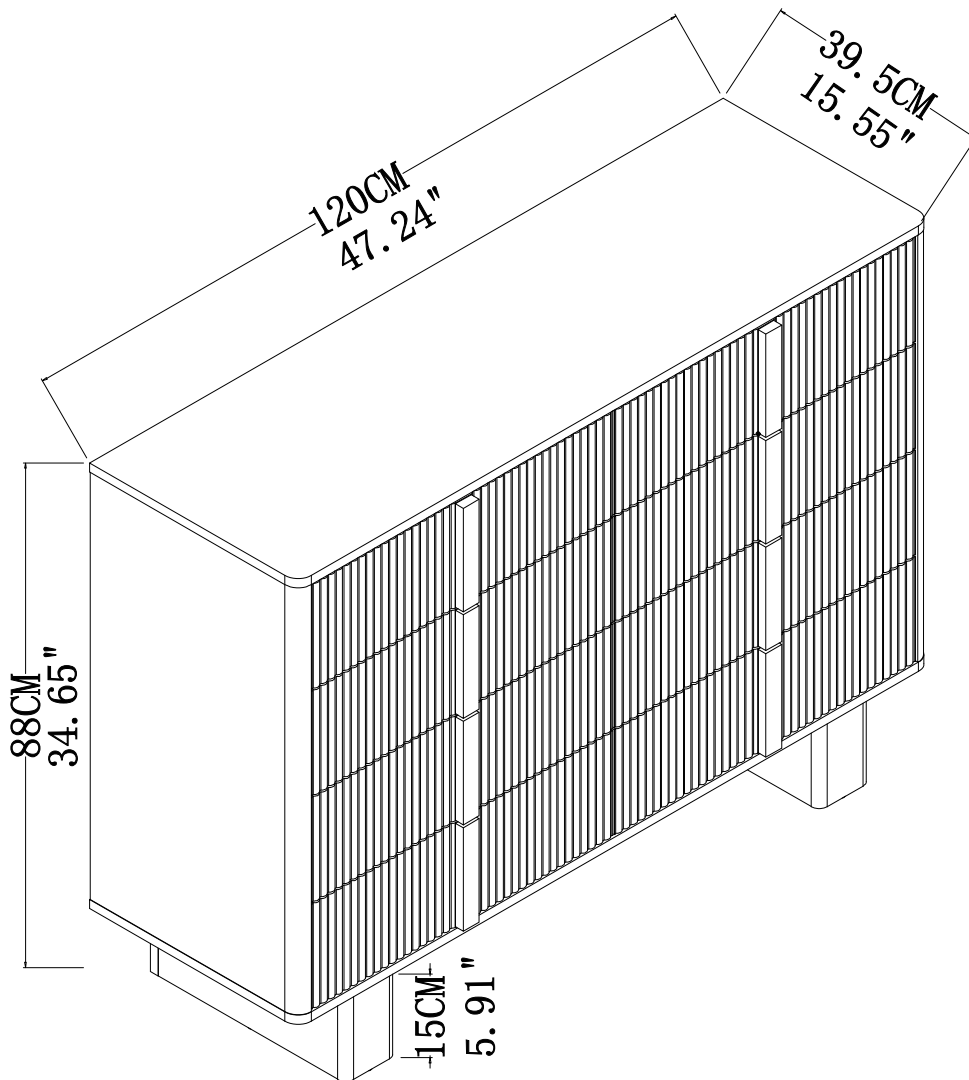
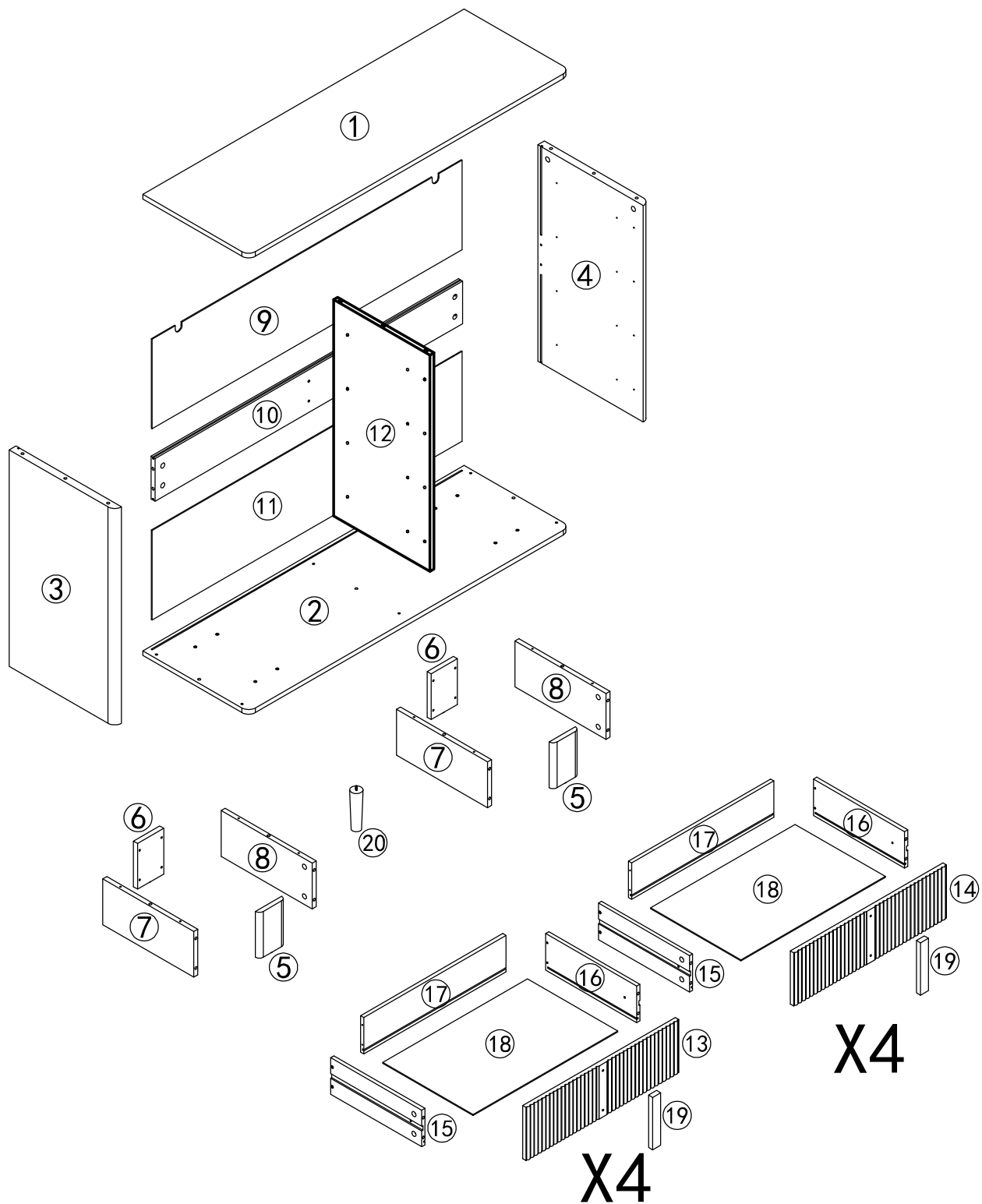


# Assembly Instruction of (Cabinet)

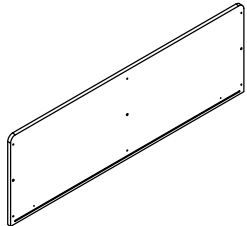
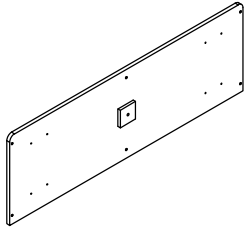
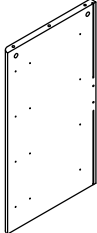
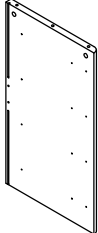
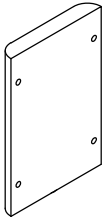
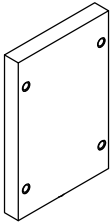
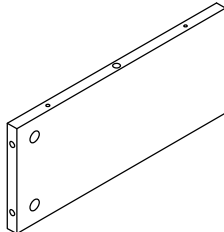
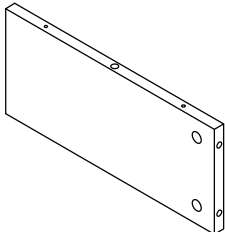
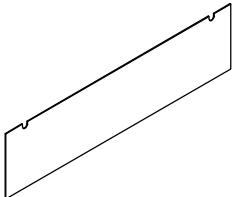
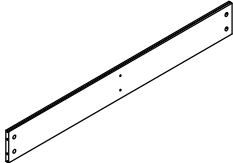
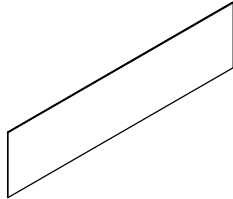
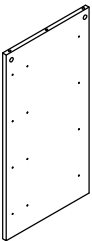
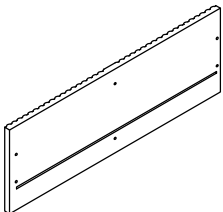
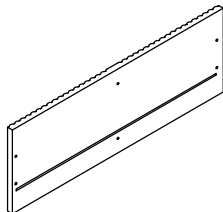
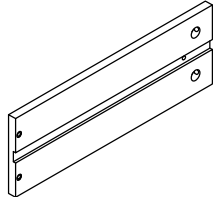
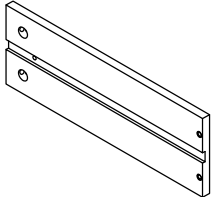
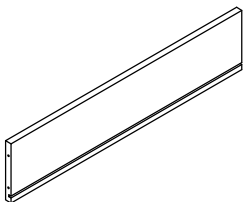
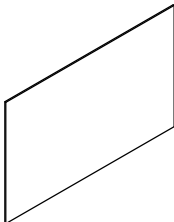






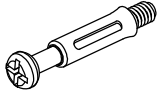
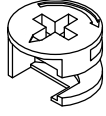

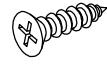
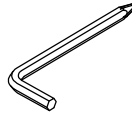
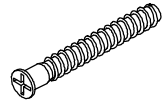
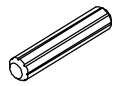
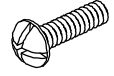
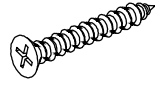
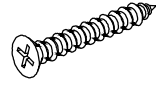
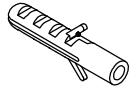



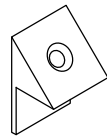
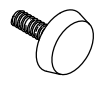
**⚠ Caution**

Please ensure all parts are included. Most board components are labeled or stamped on the raw edges. If you find any damaged or missing parts, feel free to contact us for a free replacement.

# Parts List

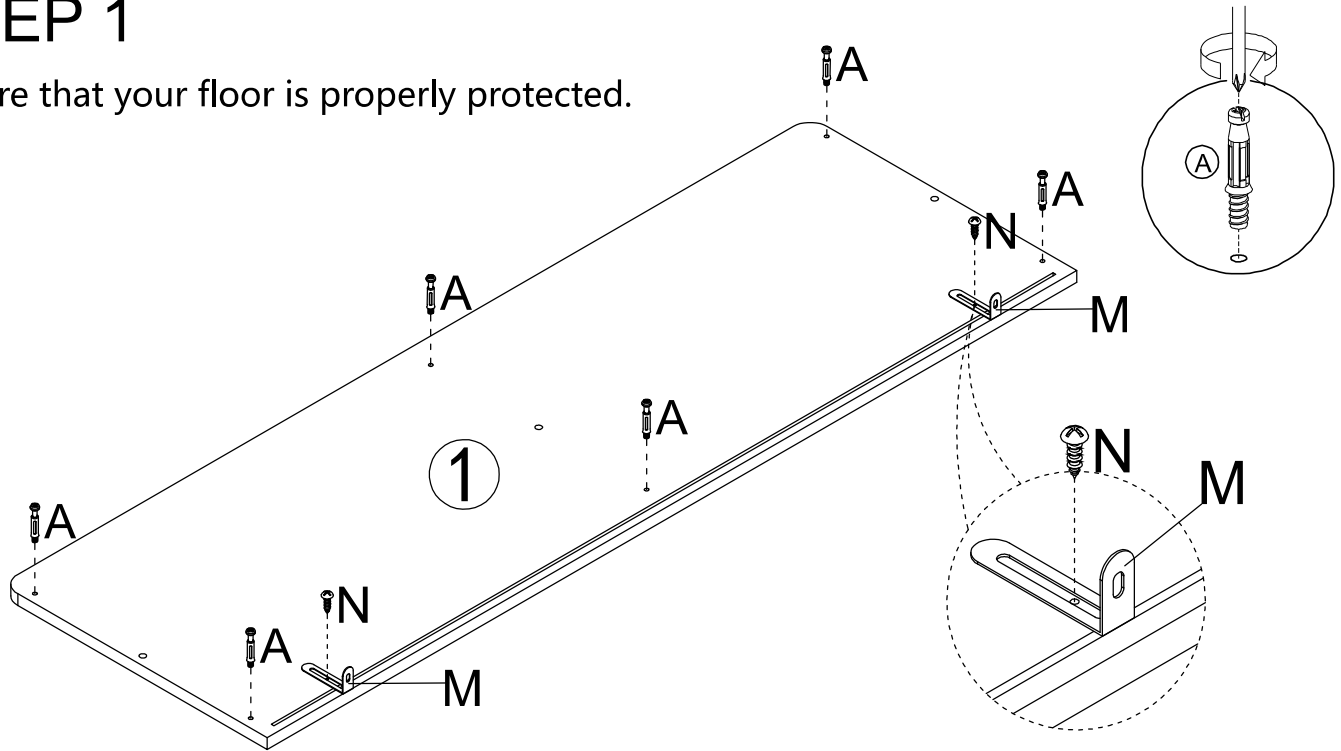
 <p><b>1</b> 1PC</p>	 <p><b>2</b> 1PC</p>	 <p><b>3</b> 1PC</p>	 <p><b>4</b> 1PC</p>
 <p><b>5</b> 2PCS</p>	 <p><b>6</b> 2PCS</p>	 <p><b>7</b> 2PCS</p>	 <p><b>8</b> 2PCS</p>
 <p><b>9</b> 1PC</p>	 <p><b>10</b> 1PC</p>	 <p><b>11</b> 1PC</p>	 <p><b>12</b> 1PC</p>
 <p><b>13</b> 4PCS</p>	 <p><b>14</b> 4PCS</p>	 <p><b>15</b> 8PCS</p>	 <p><b>16</b> 8PCS</p>
 <p><b>17</b> 8PCS</p>	 <p><b>18</b> 8PCS</p>	 <p><b>19</b> 8PCS</p>	 <p><b>20</b> 1PC</p>


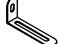

# Hardware List

A	B	C	D	E	F
		 Silver Color M3.5x14mm	 Black Color M3x16mm	 4mm	 M5x40mm
M6x35mm	Ø15x9mm				
50PCS	50PCS	48PCS	8PCS	1PC	24PCS
G	H	I	J	K	M
					
Ø8x30mm	M4x10mm	M4x25mm	M4x35mm	Ø6x30mm	
10PCS	16PCS	16PCS	34PCS	2PCS	2PCS
N	O	P	Q		
					
M4x12mm			M6x20mm		
2PCS	16PCS	8PCS	1PC		

# STEP 1

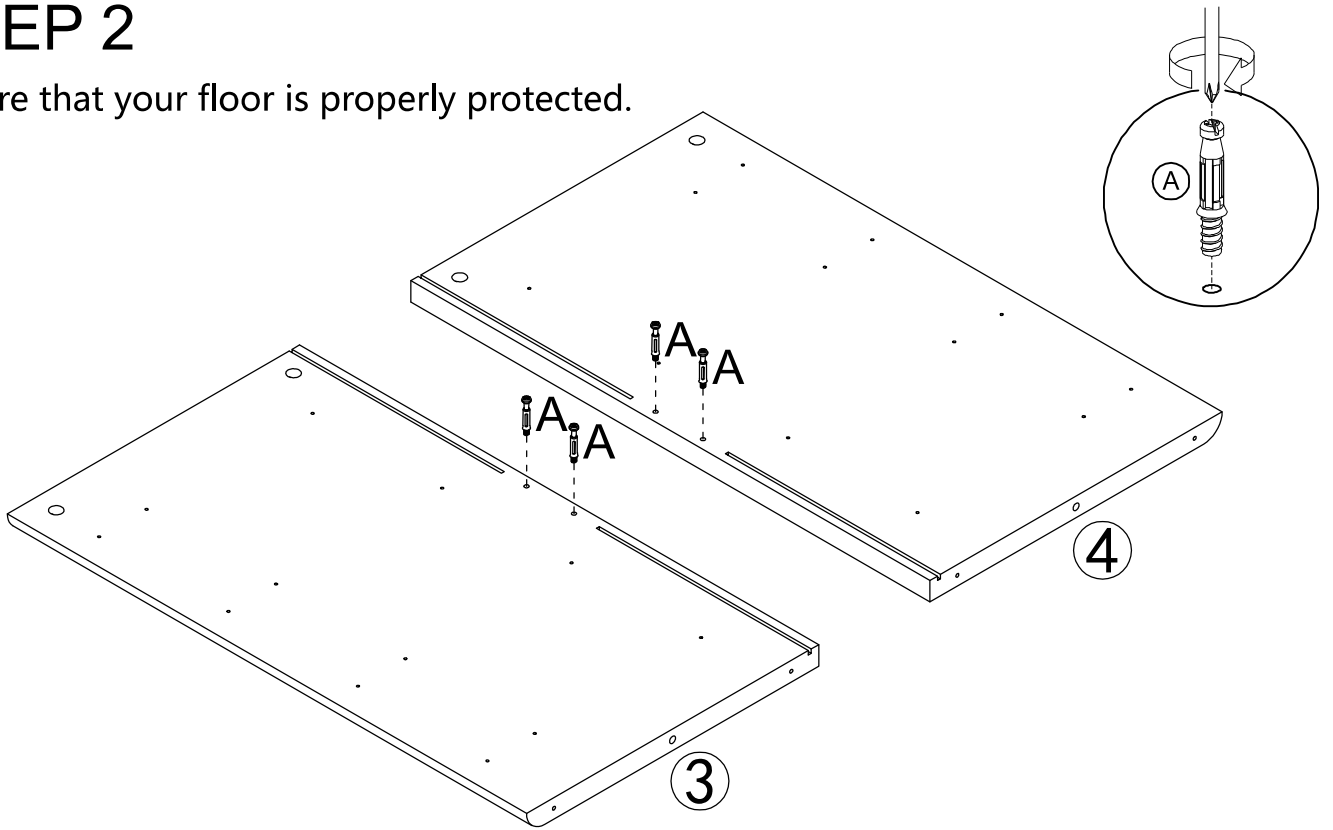
Ensure that your floor is properly protected.




A	x6	M	x2	N	x2
					
M6x35mm				M4x12	

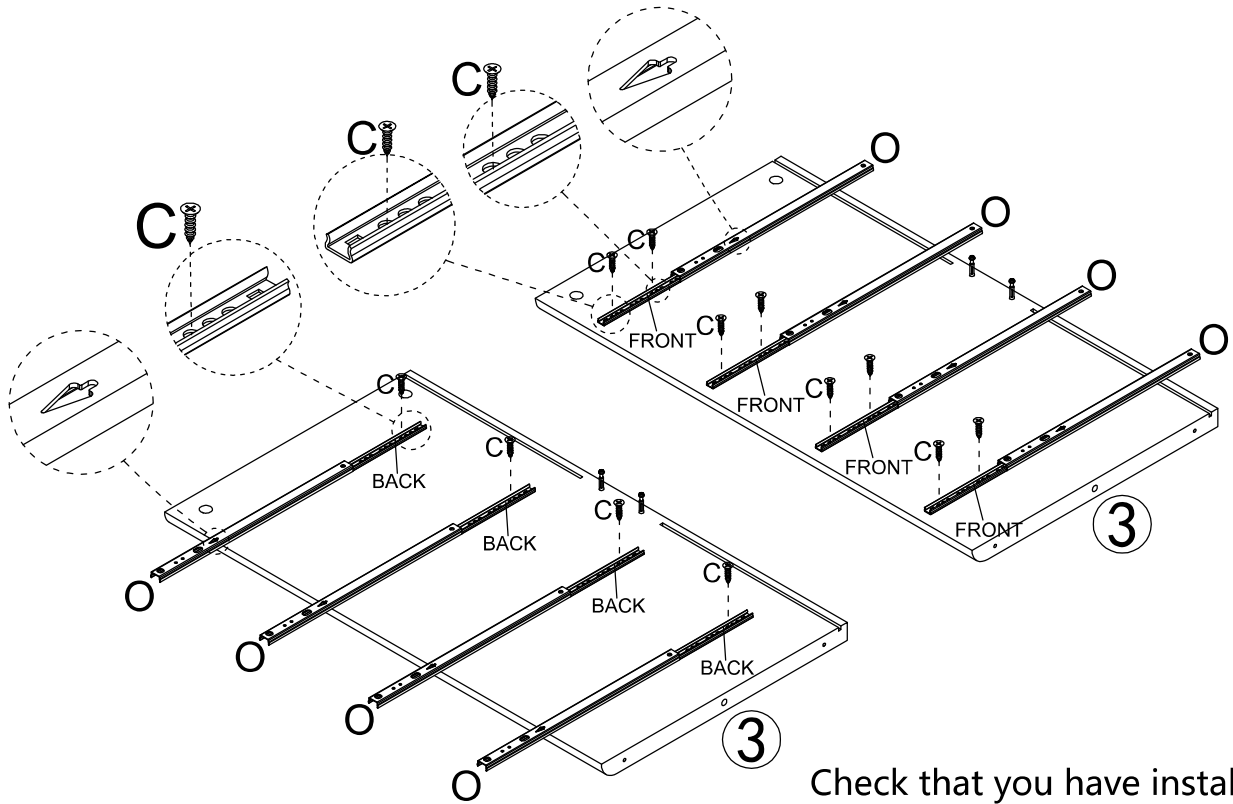
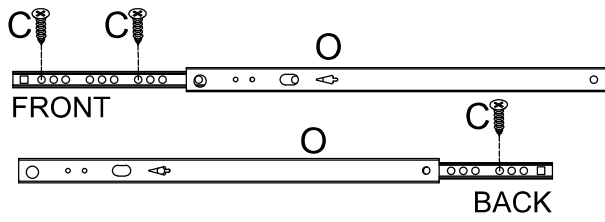
# STEP 2

Ensure that your floor is properly protected.

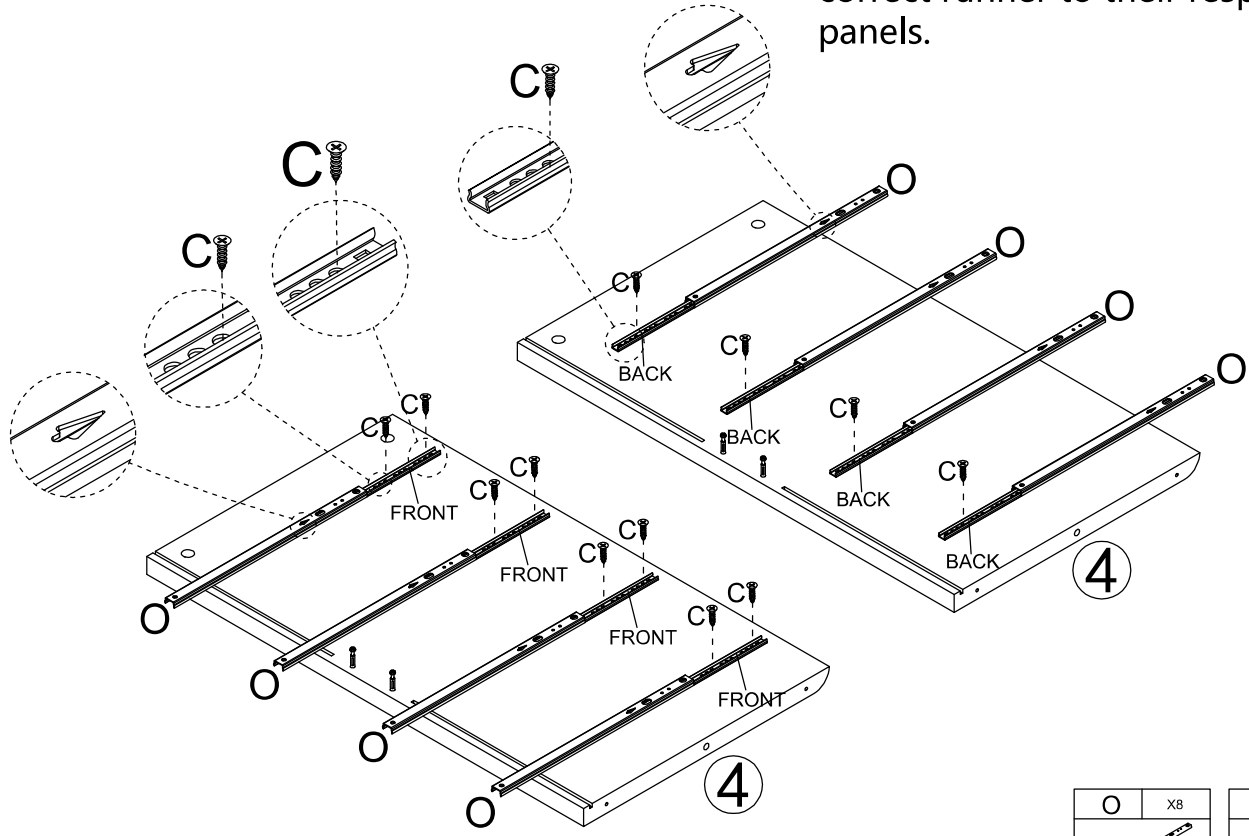


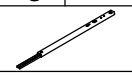

A	x4
	
M6x35mm	

# STEP 3



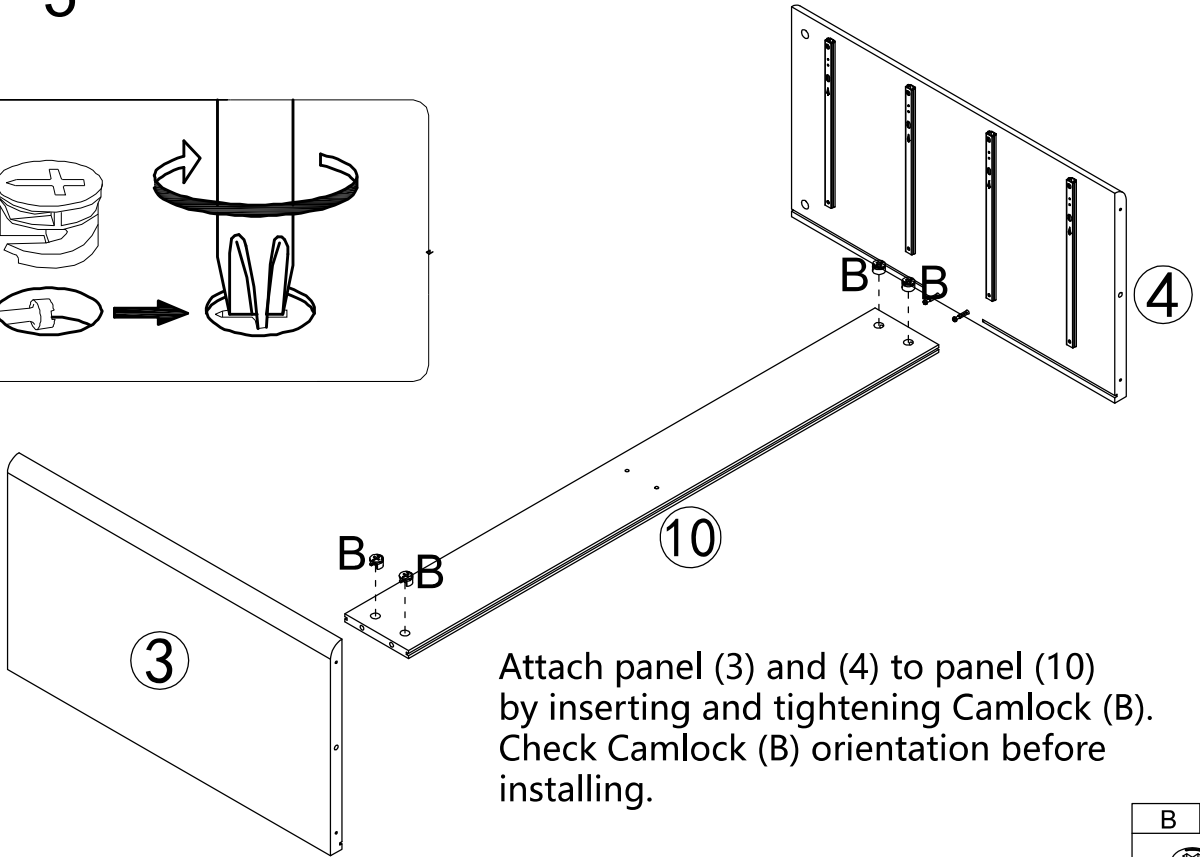
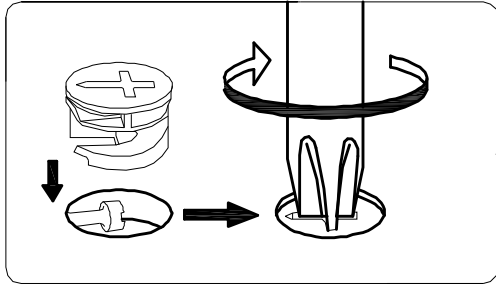
Check that you have installed the correct runner to their respective panels.



O	X8	C	X24
		 Silver color M3.5x14mm	



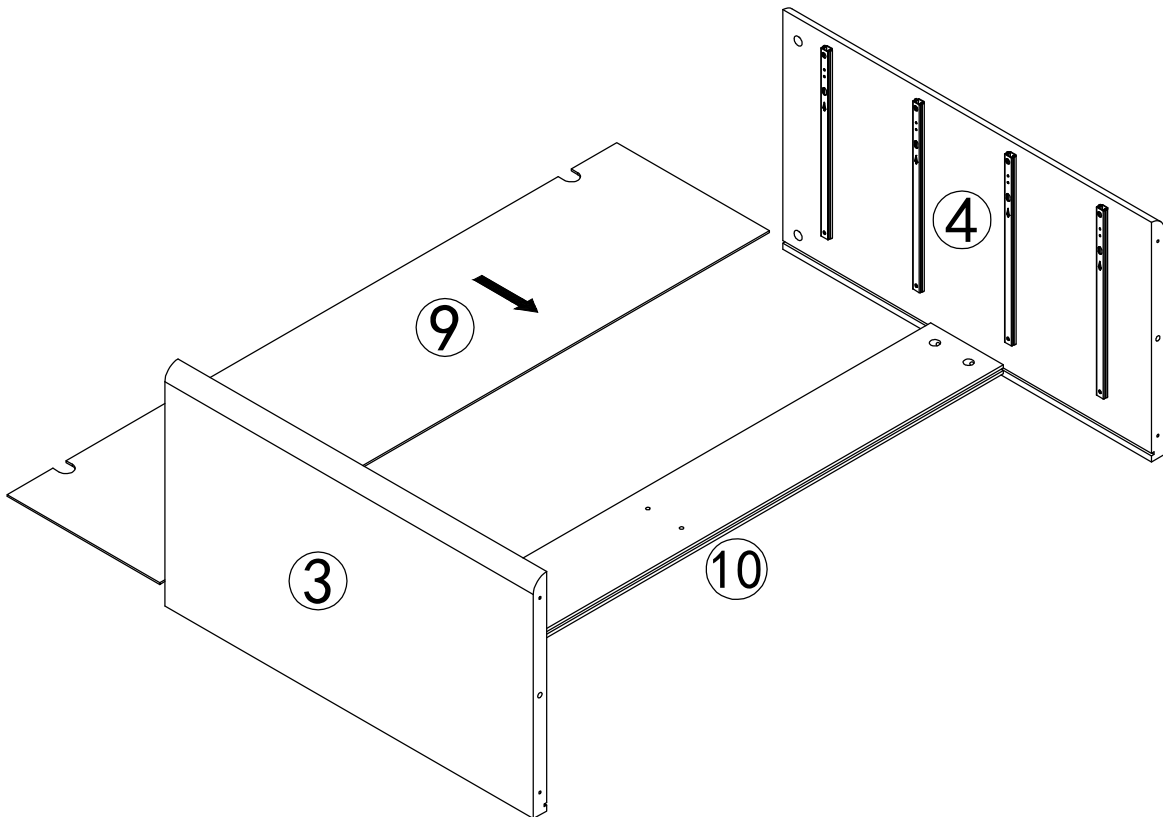
# STEP 5



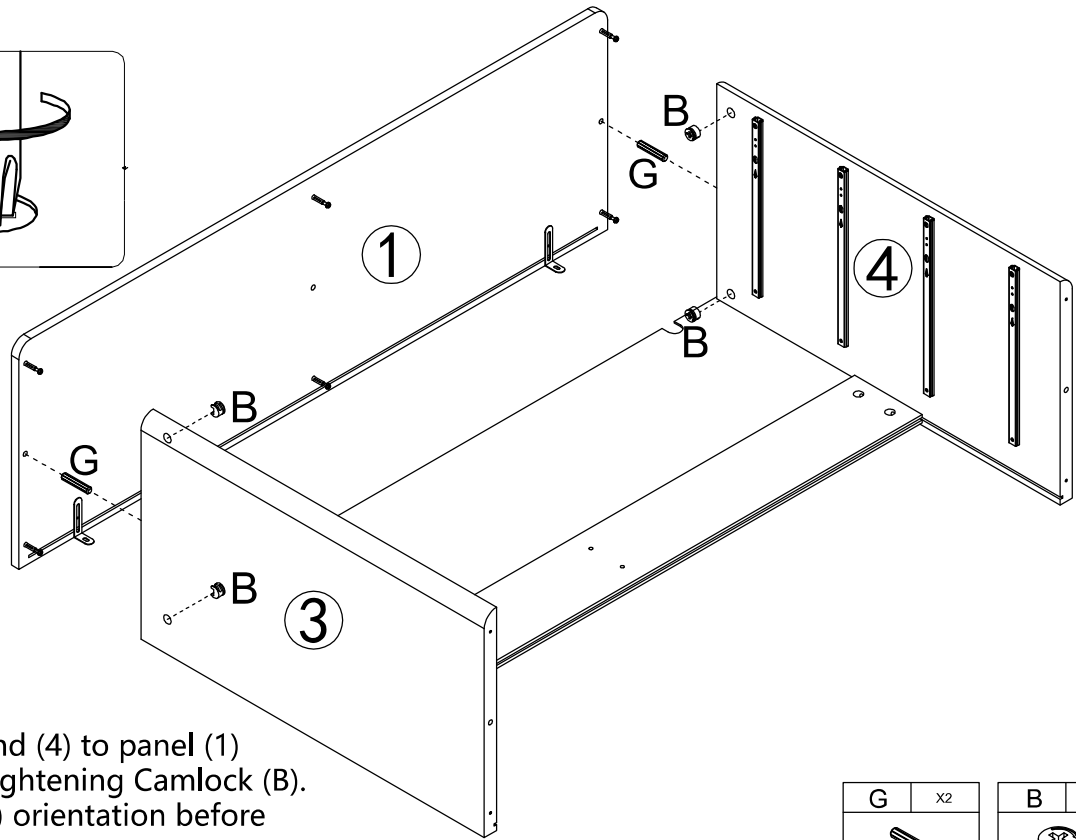
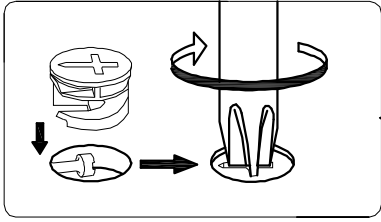
Attach panel (3) and (4) to panel (10) by inserting and tightening Camlock (B). Check Camlock (B) orientation before installing.

B	x4

# STEP 6



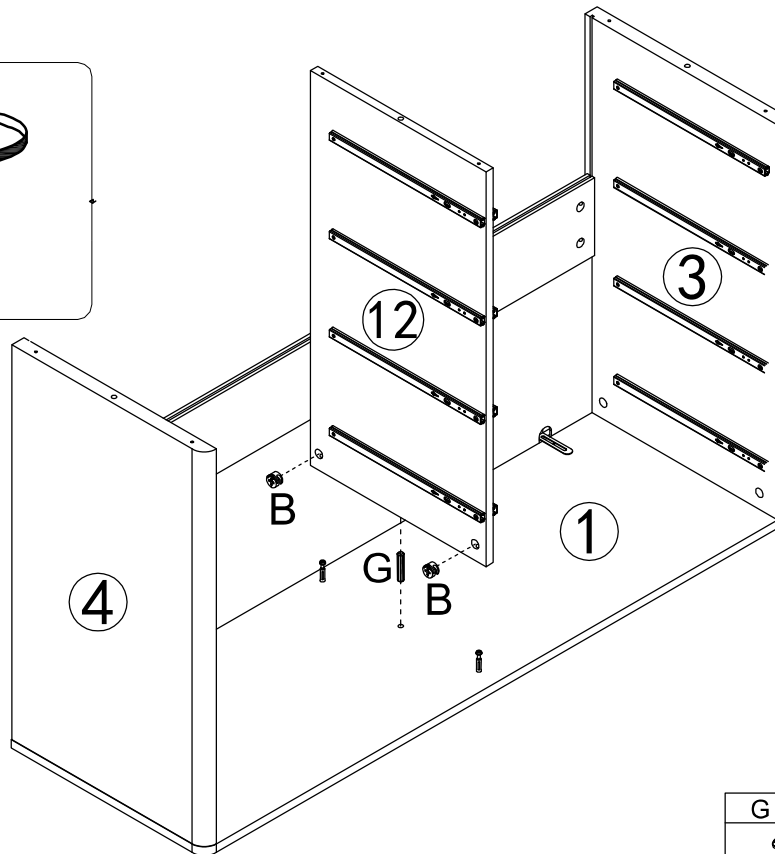
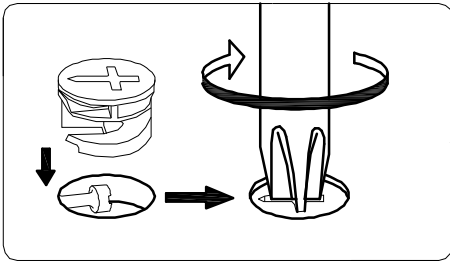
# STEP 7



Attach panel (3) and (4) to panel (1) by inserting and tightening Camlock (B). Check Camlock (B) orientation before installing.

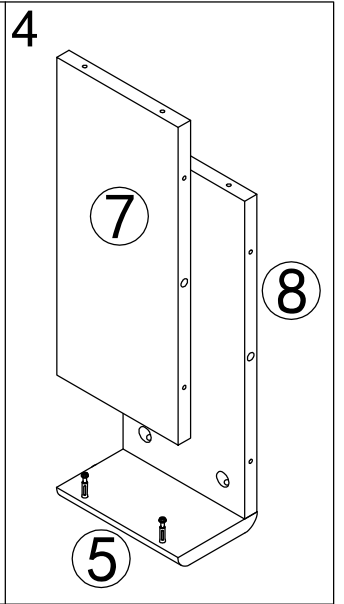
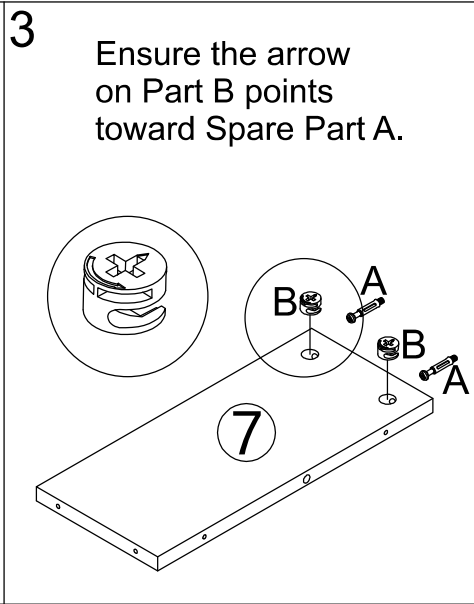
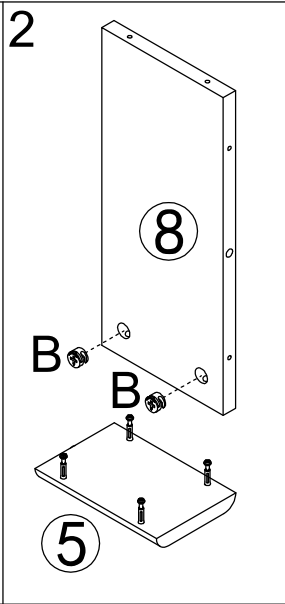
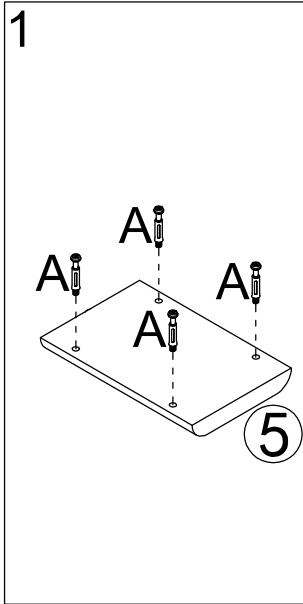
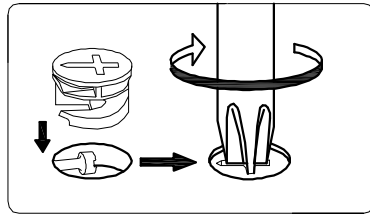
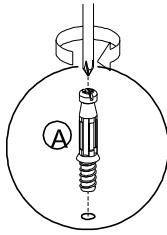
G	x2	B	x4

# STEP 8





G	x1	B	x2

# STEP 9

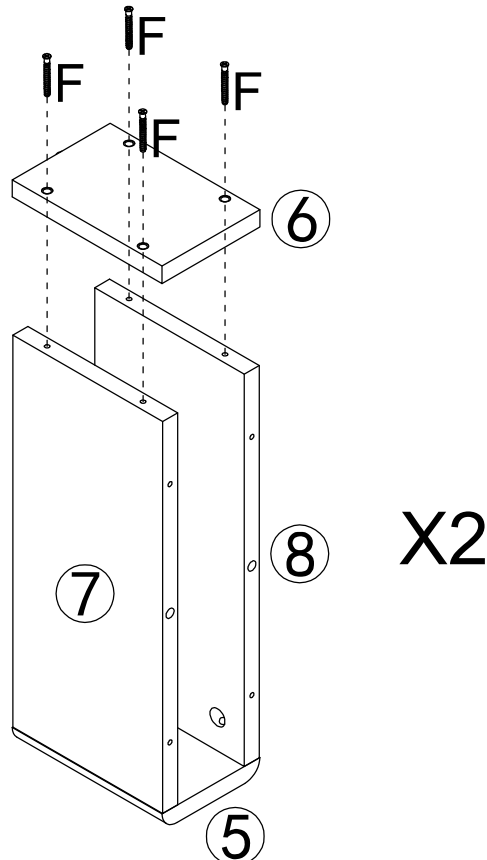



X2

A	X8
	
M6x35mm	

B	X8
	

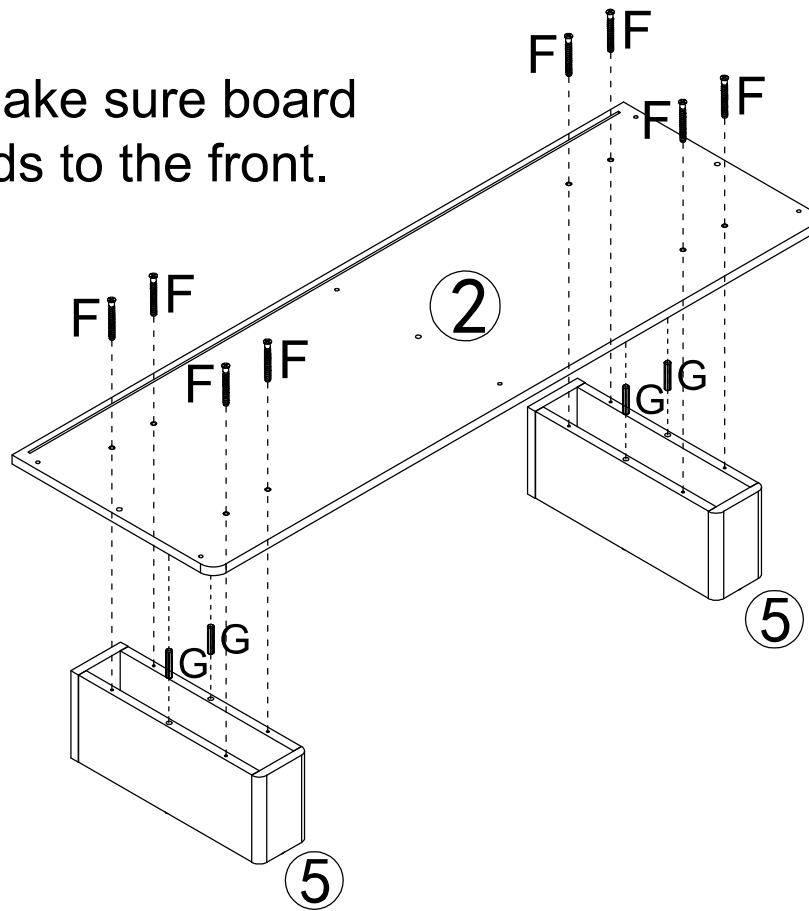
# STEP 10



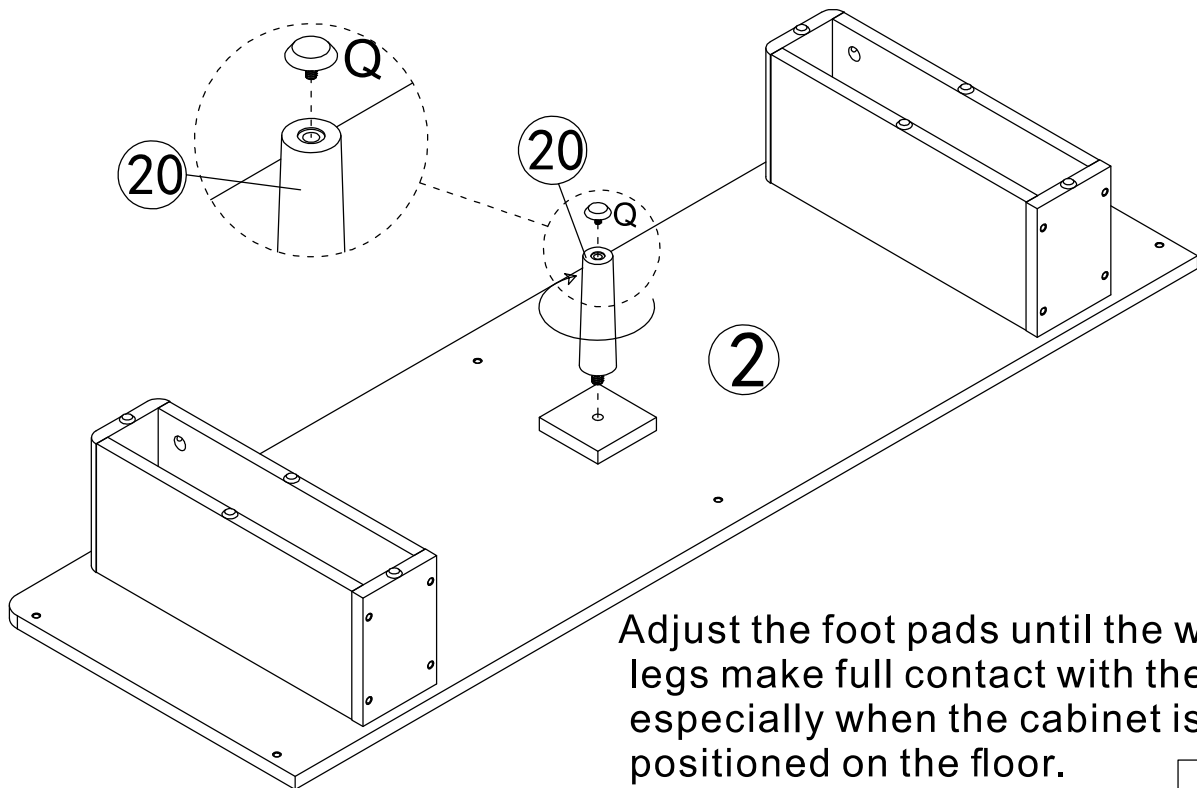
F	X8
	
M5x40mm	

# STEP 11

Please make sure board #5 towards to the front.



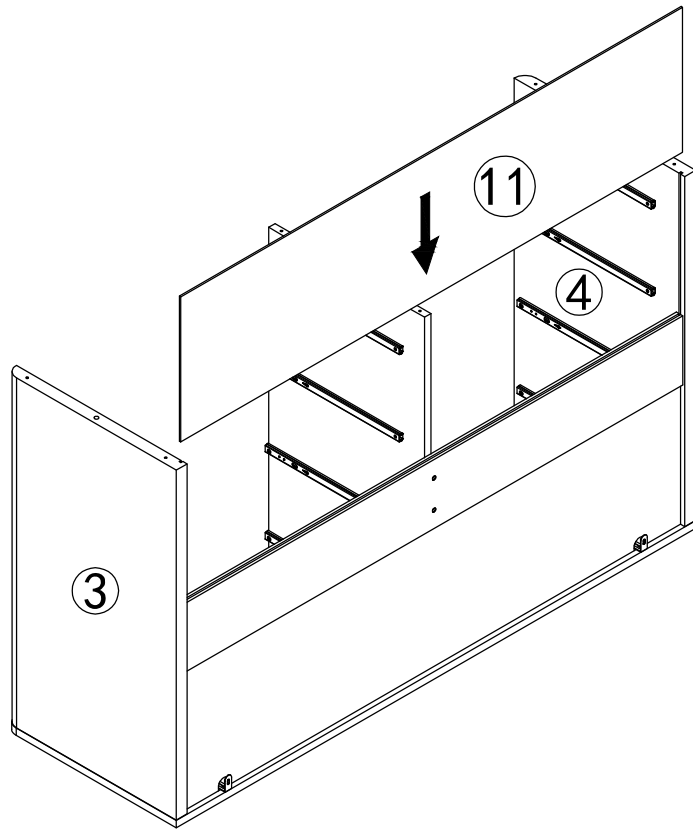
# STEP 12



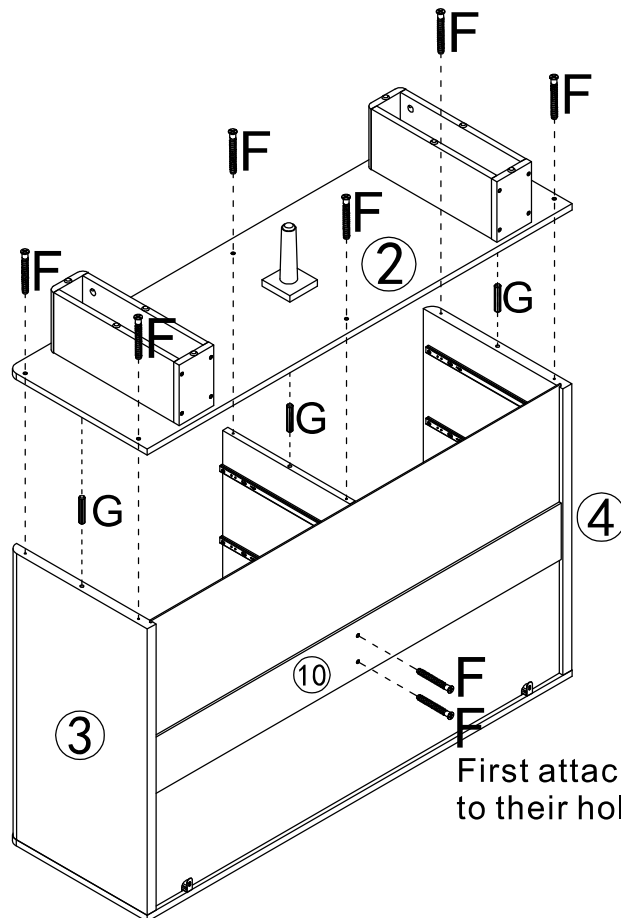
Adjust the foot pads until the wooden legs make full contact with the floor, especially when the cabinet is positioned on the floor.

Q	x1
M6x18mm	



# STEP 13



# STEP 14

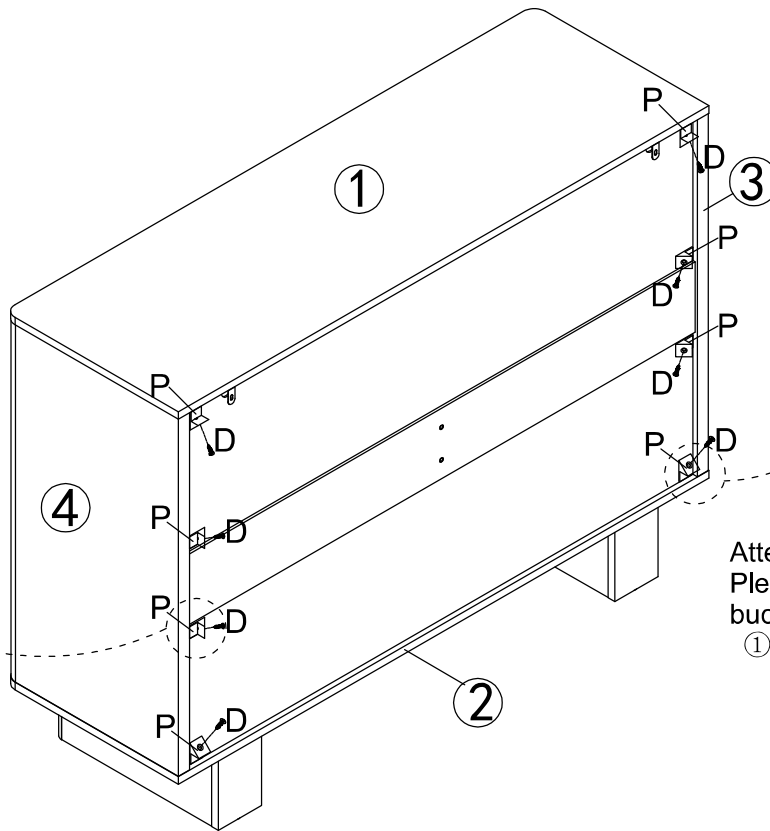
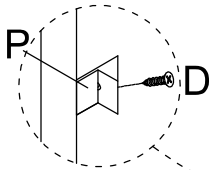


First attach both F screws loosely to their holes, then tighten them.

G	x3	F	x8
			
		M5x40mm	

# STEP 15

Attention:  
Please secure the plastic  
buckles to side boards ③ and ④.

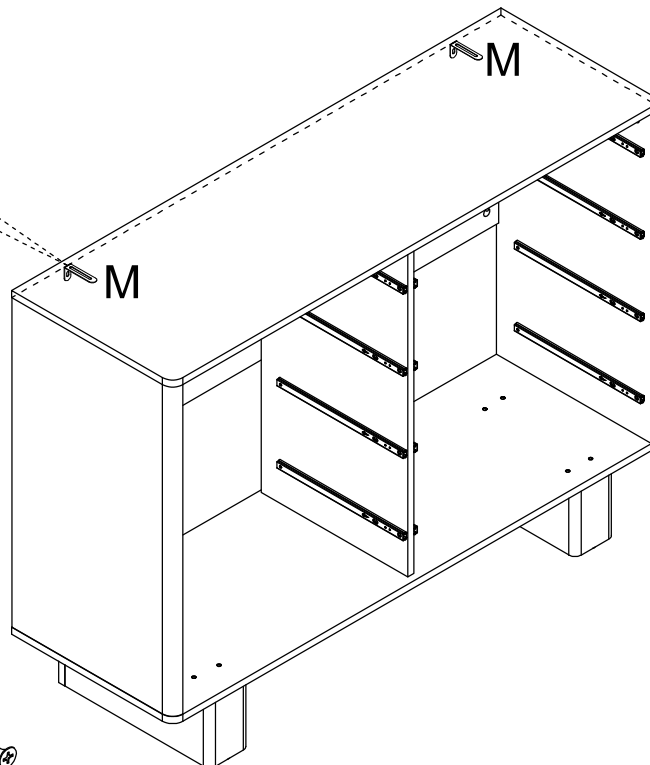
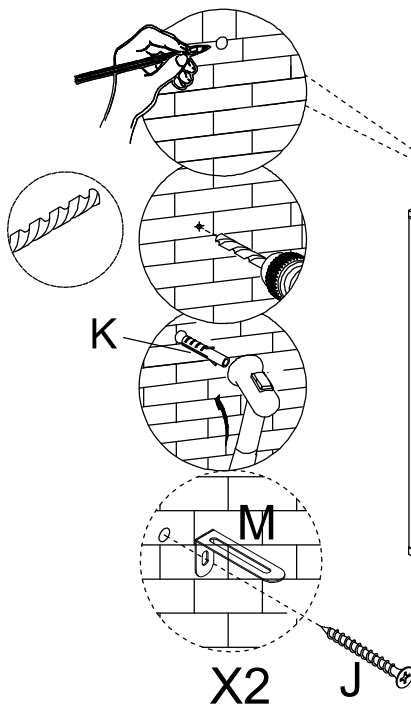


Attention:  
Please secure the plastic  
buckles to the top board  
① and the bottom board ②.

P	x8

D	x8
Black color M3x16mm	

# STEP 16

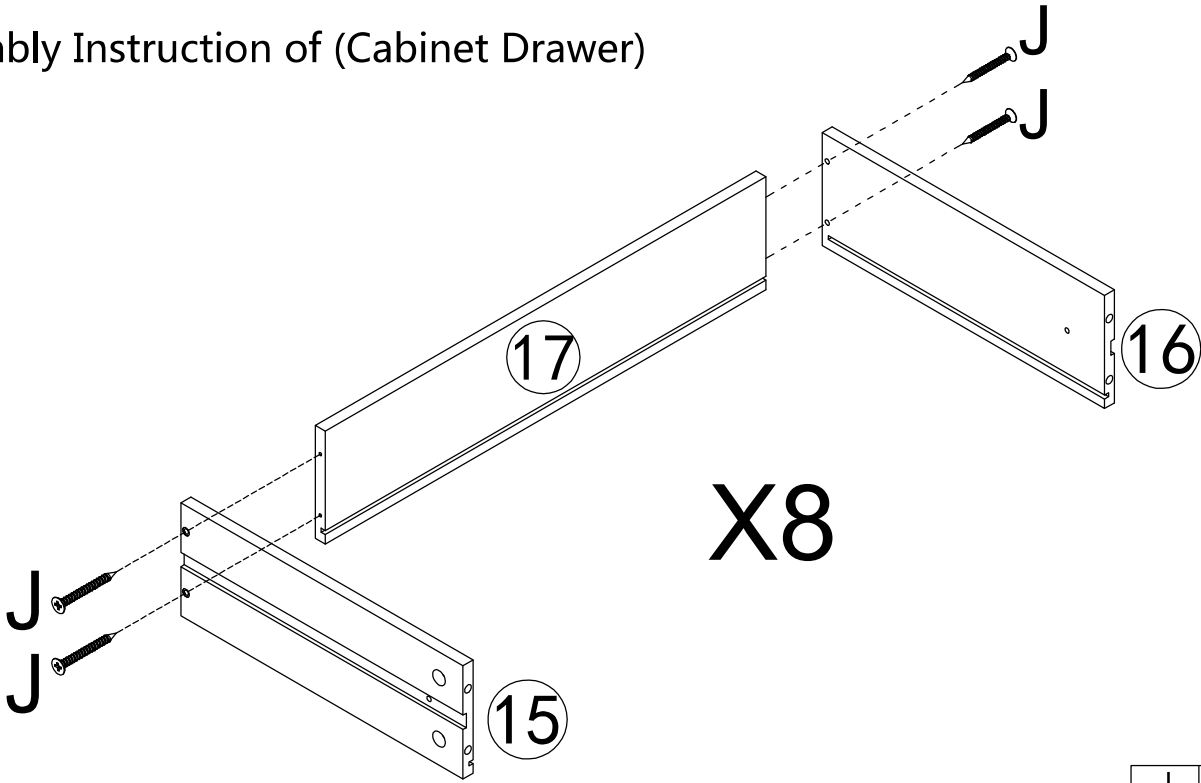



K	x2

J	x2
M4x35mm	

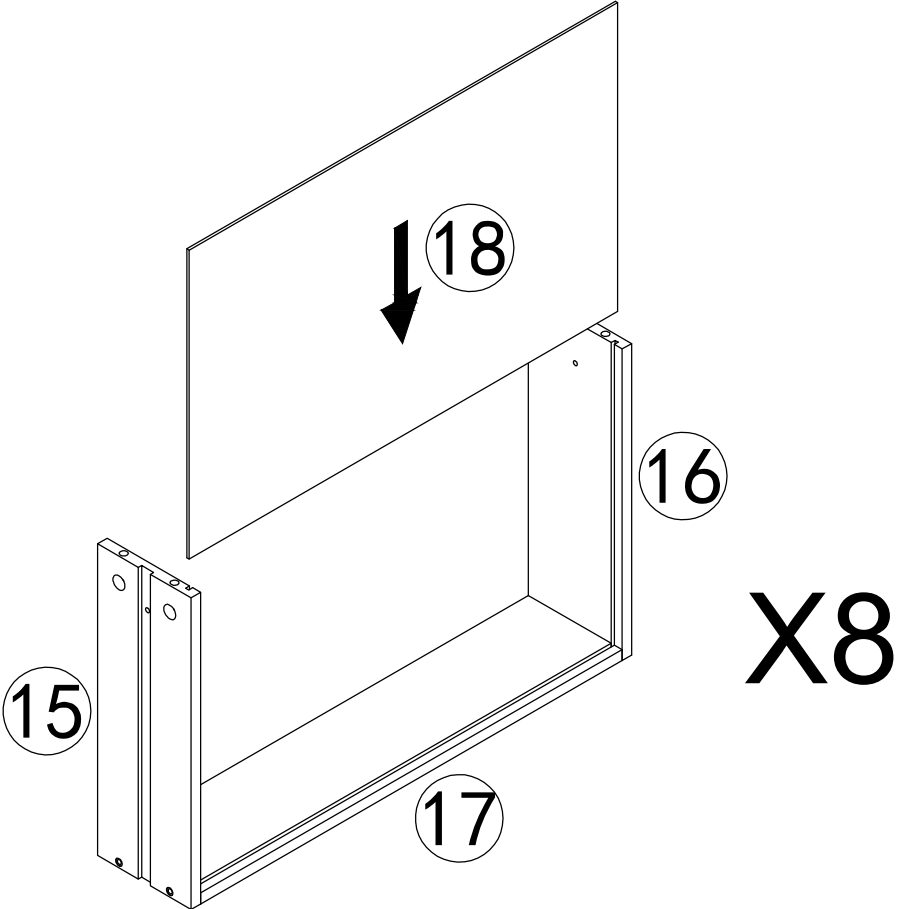
# STEP 17

Assembly Instruction of (Cabinet Drawer)

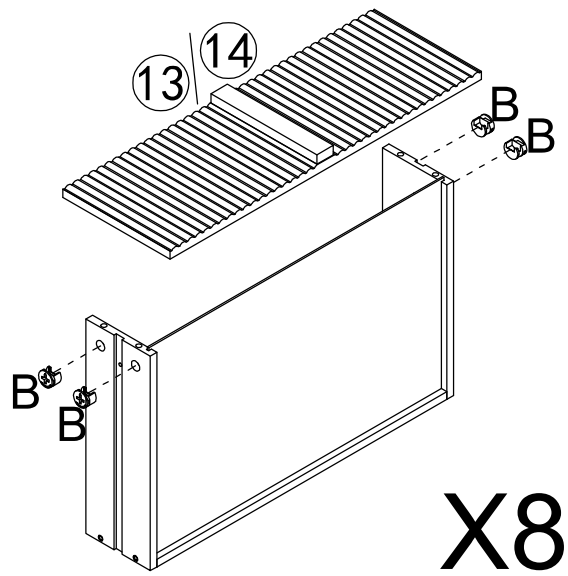
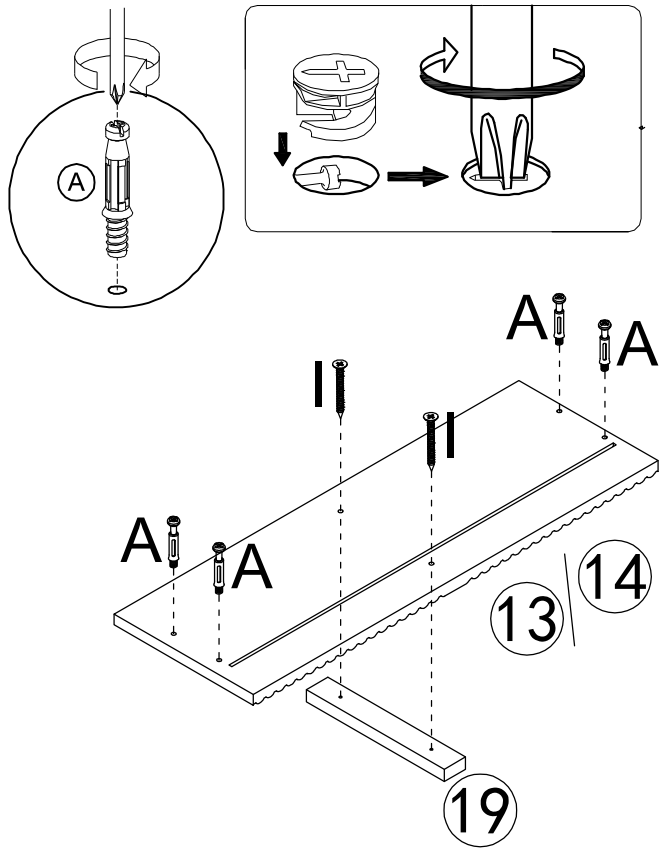


J	X32
	
M4x35mm	




# STEP 18



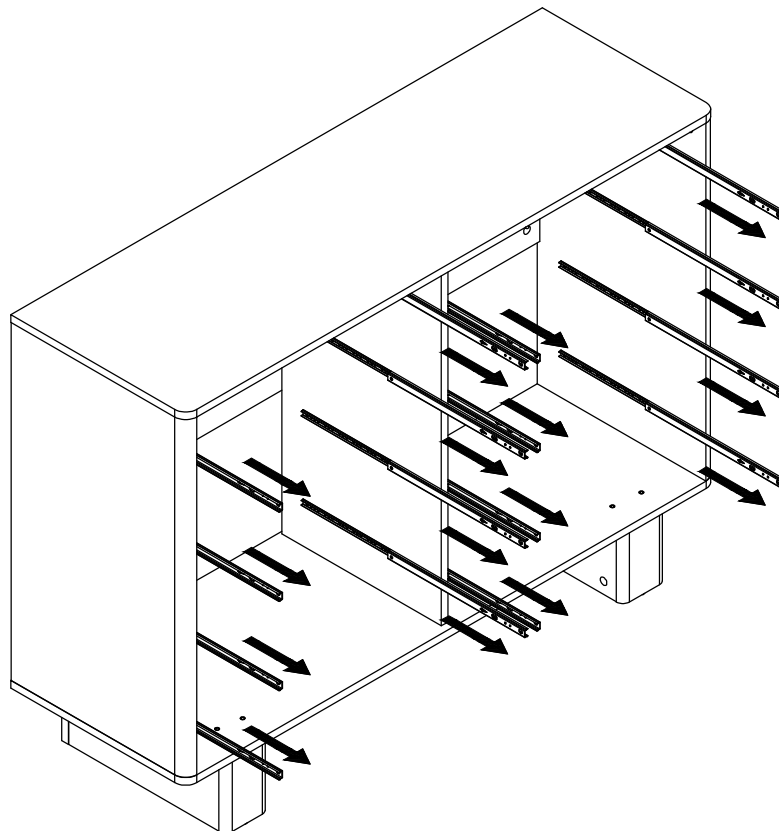
# STEP 19



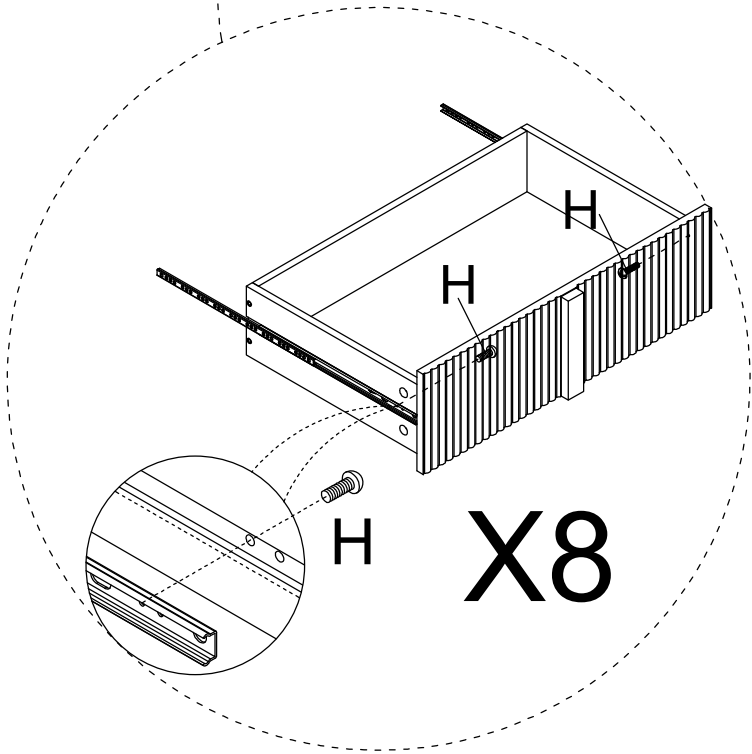
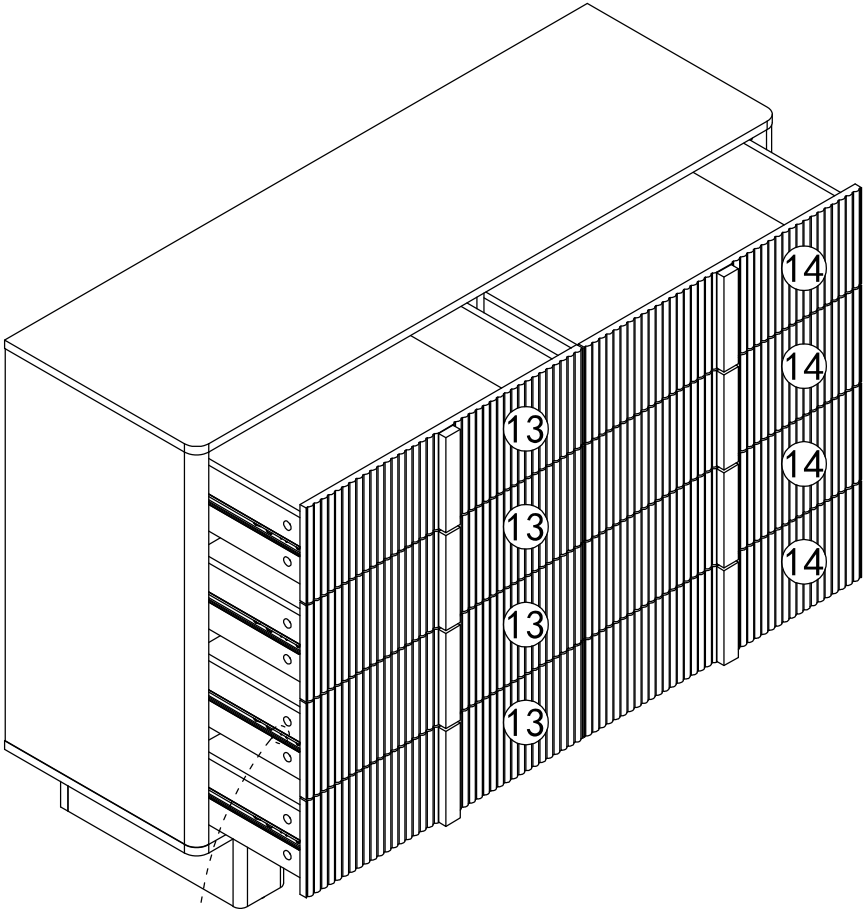
**X8**


I	X16	A	X32	B	X32
					
M4x25mm		M6x35mm			

# STEP 20

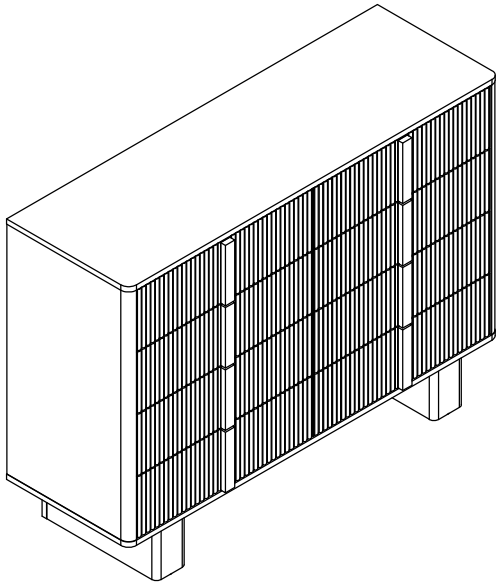


# STEP 21



H	X16
	
M4x10mm	

# Finished!



Congratulations, you have made it through the assembly process! We're almost there! ☆

Please perform following checks to ensure assembly is properly done.

- If drawer is misaligned, please check and ensure the screw position is correct as per step 3 & 4.

Move your product carefully, with 2 people lifting it to the preferred location. Clean the product with a dry cloth. You are all set!

Enjoy your fresh and updated living space thanks to the addition of your new product!