

Outdoor

Adirondack Chair

Instruction Manual



Thank you

Thank you for choosing us.

We hope your new furniture helps create a gathering place for you and your loved ones to enjoy for many years to come!

Contact Us

If you have any problem, please give us a chance to make it right for you!

Contact our friendly customer service department for help first. Replacements for missing or damaged parts will be shipped ASAP!

Before You Start

- Please read all instructions carefully.
- Retain instructions for future reference.
- Separate and count all parts and hardware.
- Read through each step carefully and follow the proper order.
- We recommend that, where possible, all items are assembled near to the area in which they will be placed in use, to avoid moving the product unnecessarily once assembled.
- Always place the product on a flat, steady and stable surface.
- Keep all small parts and packaging materials for this product away from babies and children.

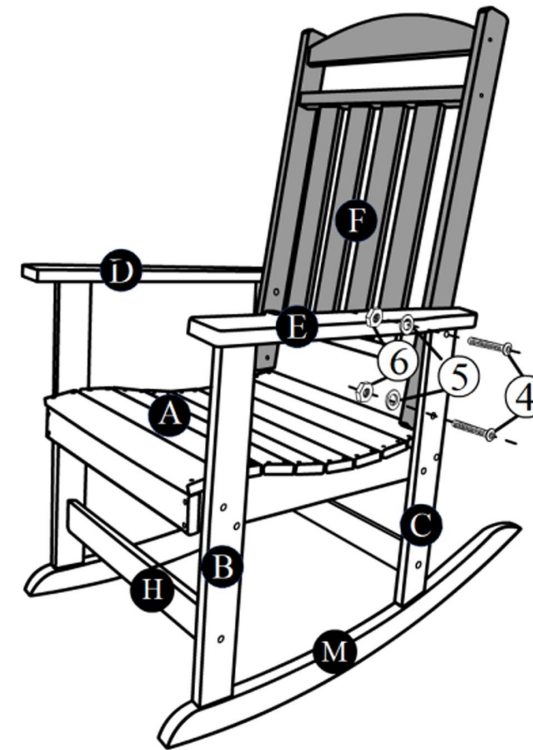
Assembly Procedure

Step 5



④ M6 x 60mm
BOLT

Secure the Part F Backrest to the Chairleg
Hardware#4,Washer#5,Nuts#6

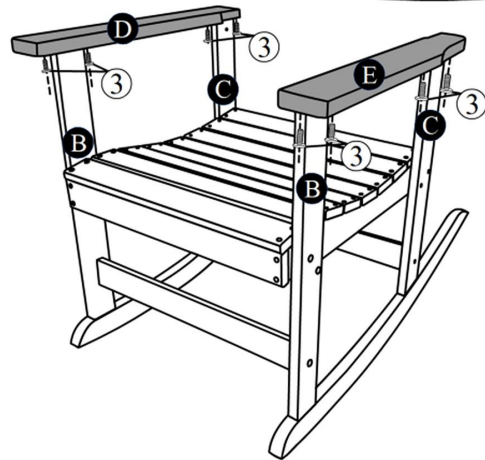
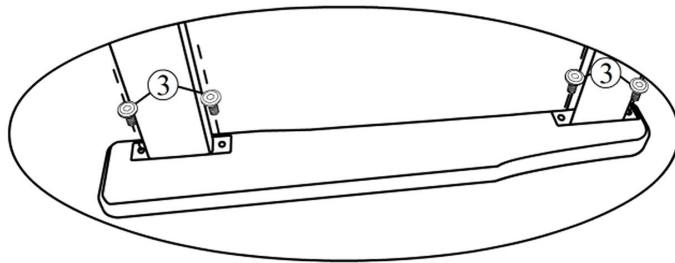


Assembly Procedure

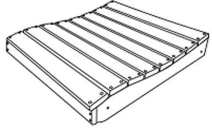
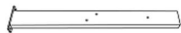

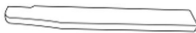
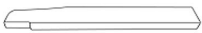

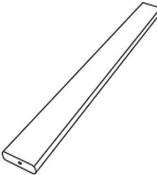
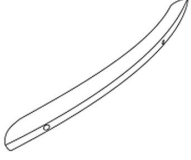
Step 4



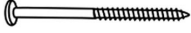
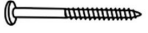




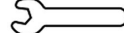

Assemble Armrest D & E to Chairleg
by using Hardware#3

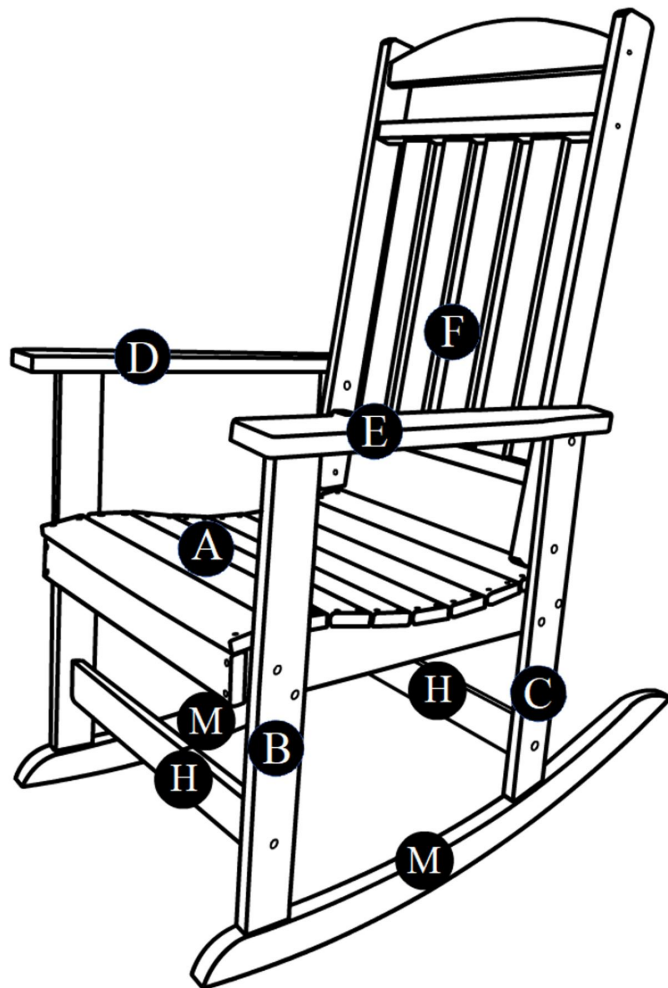


PARTS LISTS

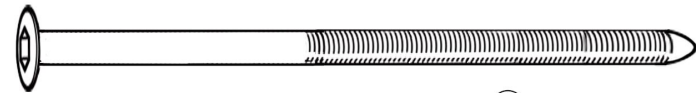
<p>A Chair Seat</p>  <p>1pc</p>	<p>B Front Chair Leg</p>  <p>2pcs</p>	<p>C Back Chair Leg</p>  <p>2pcs</p>	<p>D Right Armrest</p>  <p>1pc</p>
<p>E Left Armrest</p>  <p>1pc</p>	<p>F Chair Backrest</p>  <p>1pc</p>	<p>H Front/Back Rail</p>  <p>2pcs</p>	<p>M Rocking chair feet</p>  <p>2pcs</p>

HARDWARE LIST

<p>1 M6x100mm Screw</p>  <p>4pcs</p>	<p>2 M6x50mm Screw</p>  <p>4pcs</p>	<p>3 M6x15mm Bolt</p>  <p>8pcs</p>	<p>4 M6x60mm Bolt</p>  <p>12pcs</p>
<p>5 M6 WASHER</p>  <p>12pcs</p>	<p>6 M6 NUT</p>  <p>12pcs</p>	<p>7 No.10 Spanner</p>  <p>1pc</p>	<p>8 S4 Allen key</p>  <p>1pc</p>

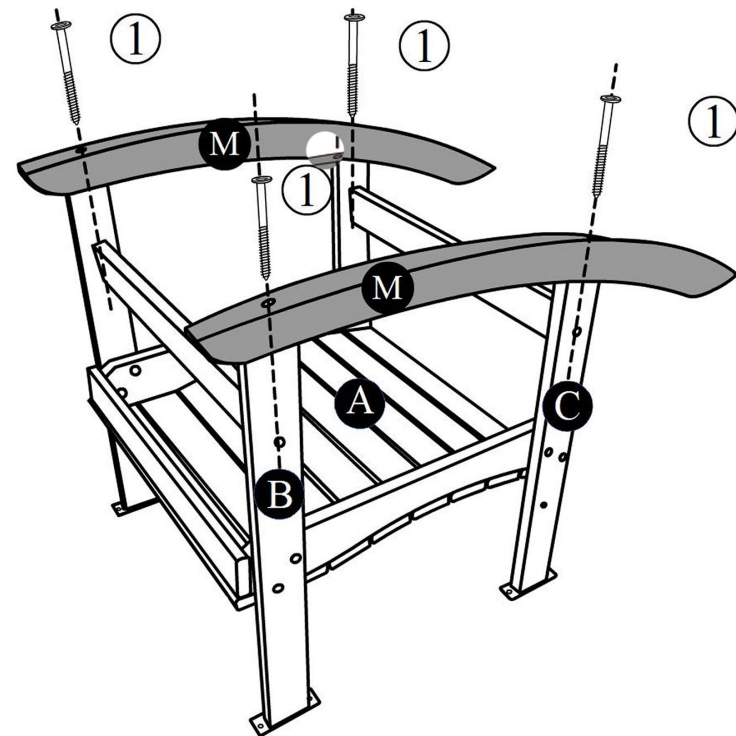


Step 3



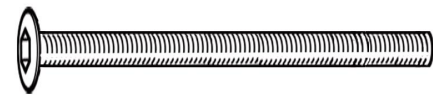
① M6 x 100mm
Screw

Secure Part M to Part B & C
by using Hardware#1



Assembly Procedure

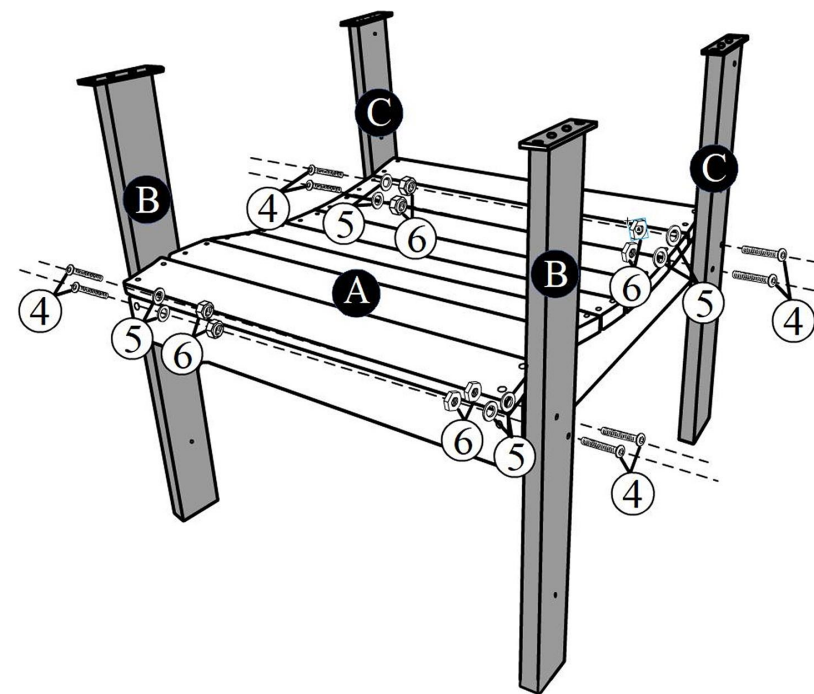
Step 1



④ M6 x 60mm
BOLT

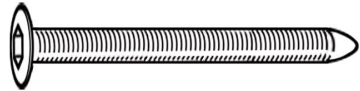
Assemble Part B&C to the Part A (seat panel)

by using Hardware#4, Washer#5, Nuts#6



Assembly Procedure

Step 2



② M6 x 50mm
Screw

Secure Part H to Part B & C
by using Hardware#2

