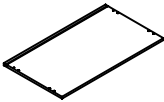
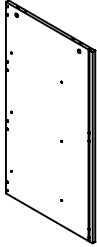
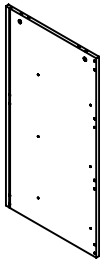
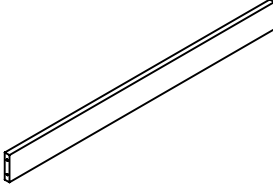
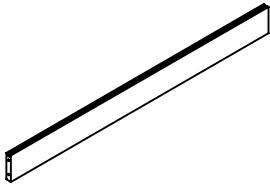
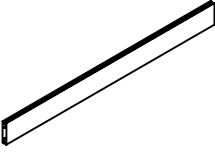
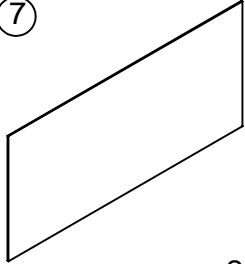
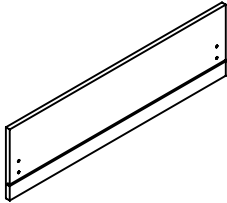
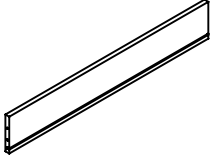
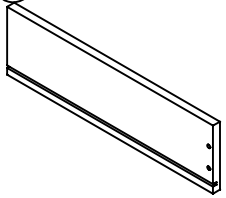
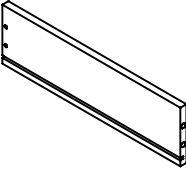
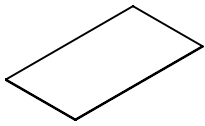
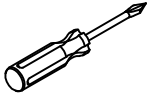



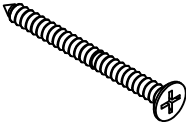
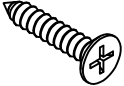
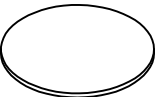
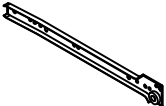

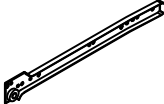

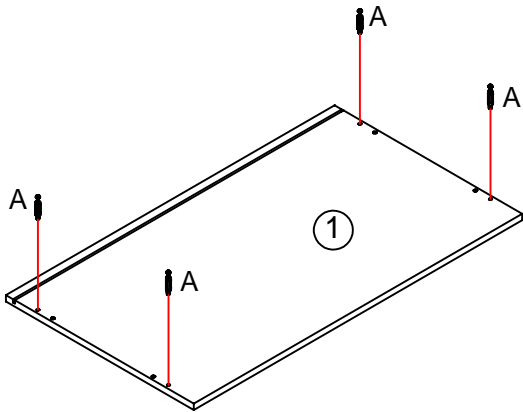


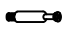
<p>①</p>  <p>x 1</p>	<p>②</p>  <p>x1</p>	<p>③</p>  <p>x1</p>	<p>④</p>  <p>x4</p>	<p>⑤</p>  <p>x1</p>
<p>⑥</p>  <p>x 1</p>	<p>⑦</p>  <p>x2</p>	<p>⑧</p>  <p>x3</p>	<p>⑨</p>  <p>x3</p>	<p>⑩</p>  <p>x3</p>
<p>⑪</p>  <p>x3</p>	<p>⑫</p>  <p>x3</p>			

<p>A</p>  <p>M6x35</p>	<p>B</p>  <p>Ø12</p>	<p>C</p>  <p>M6x30</p>	<p>D</p>  <p>M4x35</p>	<p>E</p>  <p>M4x12</p>
<p>Z</p>  <p>Ø15</p>	<p>CR</p>  <p>350MM</p>	<p>DR</p>  <p>350MM</p>	<p>CL</p>  <p>350MM</p>	<p>DL</p>  <p>350MM</p>

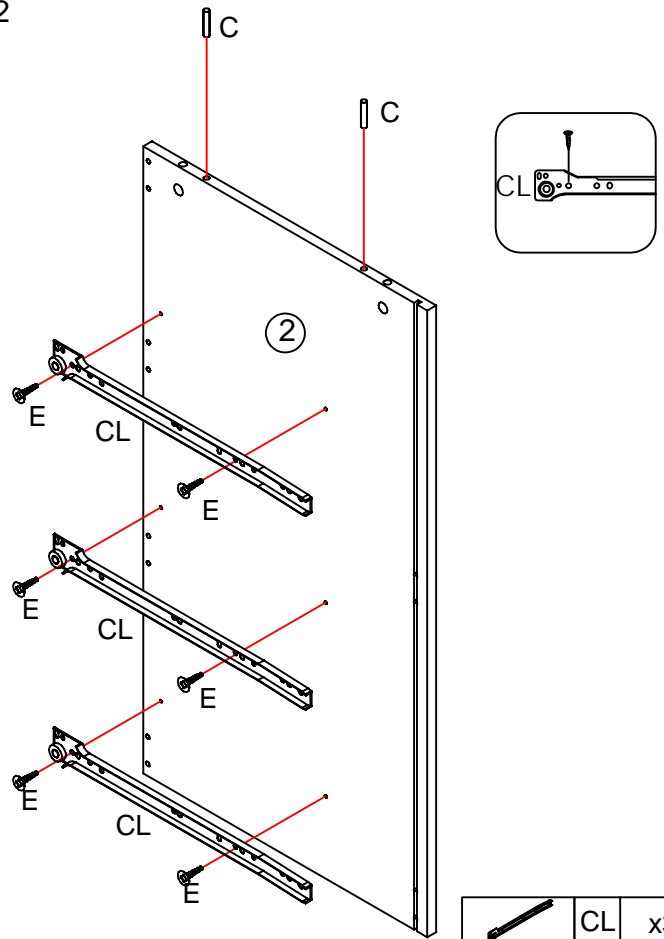
--




1



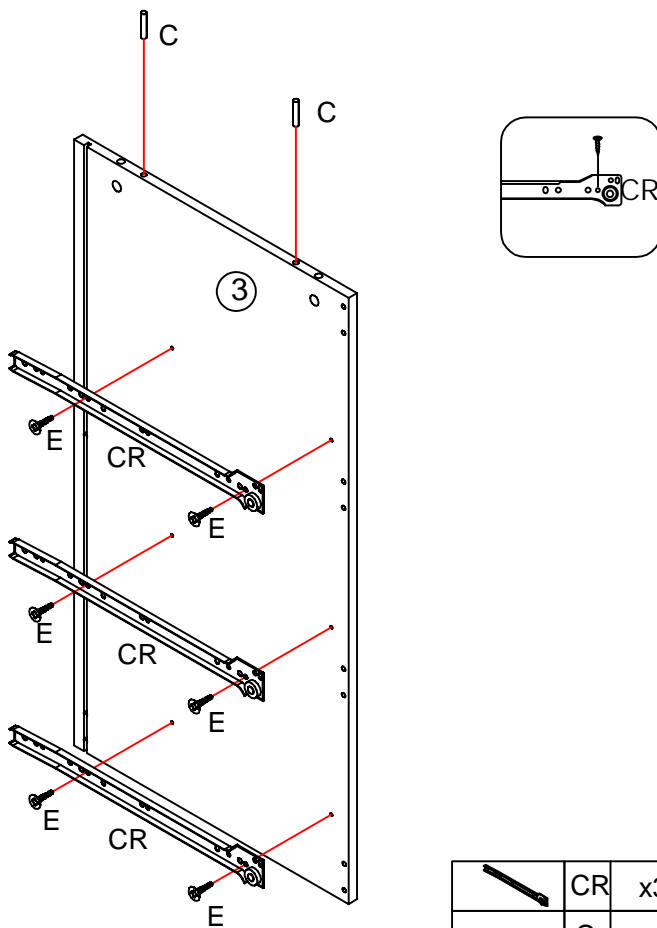
	A	x4
---	---	----




2



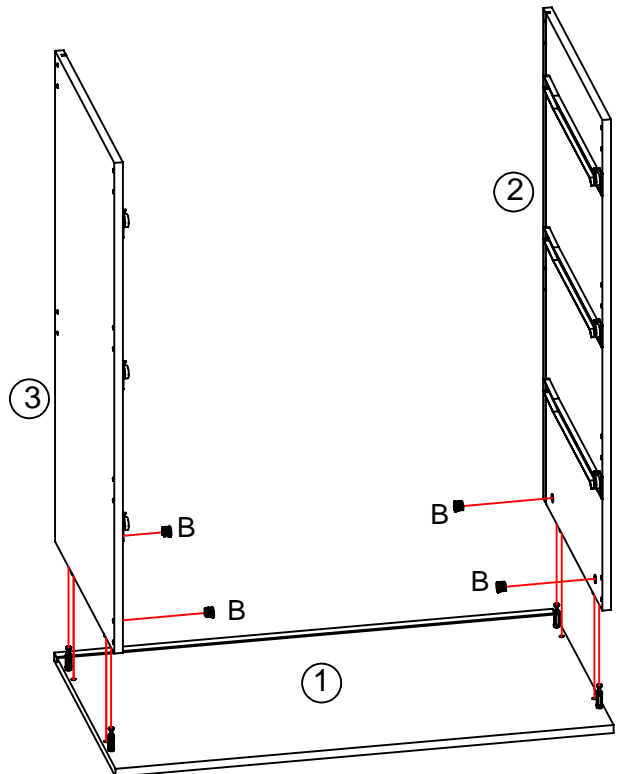
	CL	x3
	C	x2
	E	x6


3



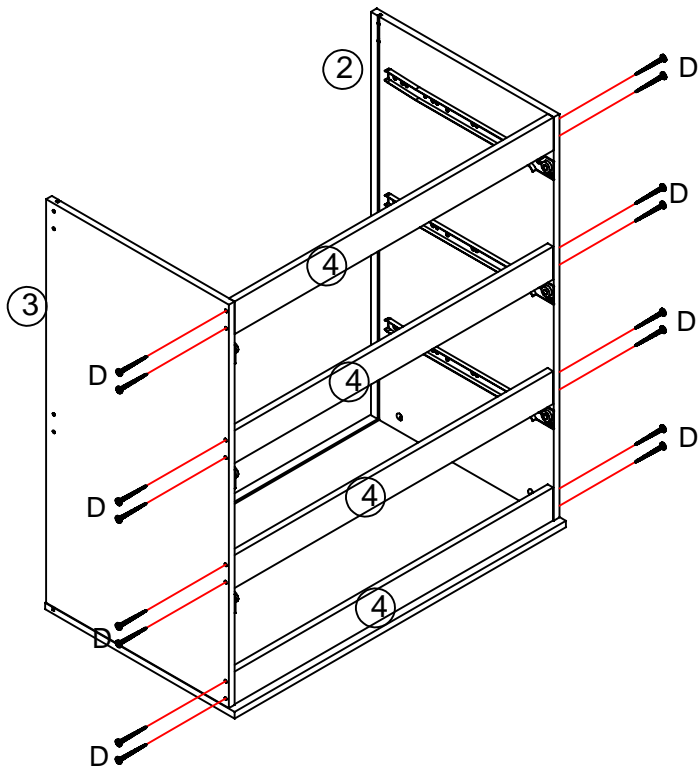
	CR	x3
	C	x2
	E	x6

4



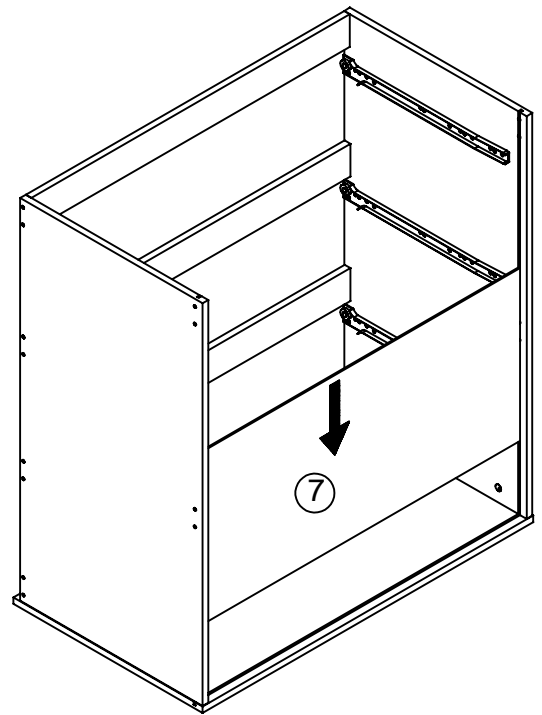
	B	x4
---	---	----

5

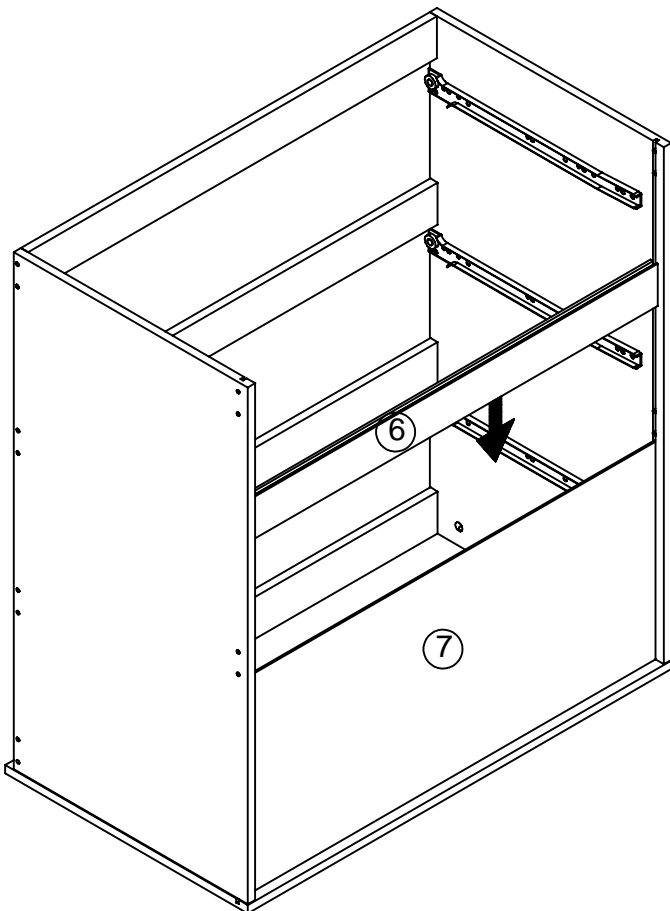


	D	x16
---	---	-----

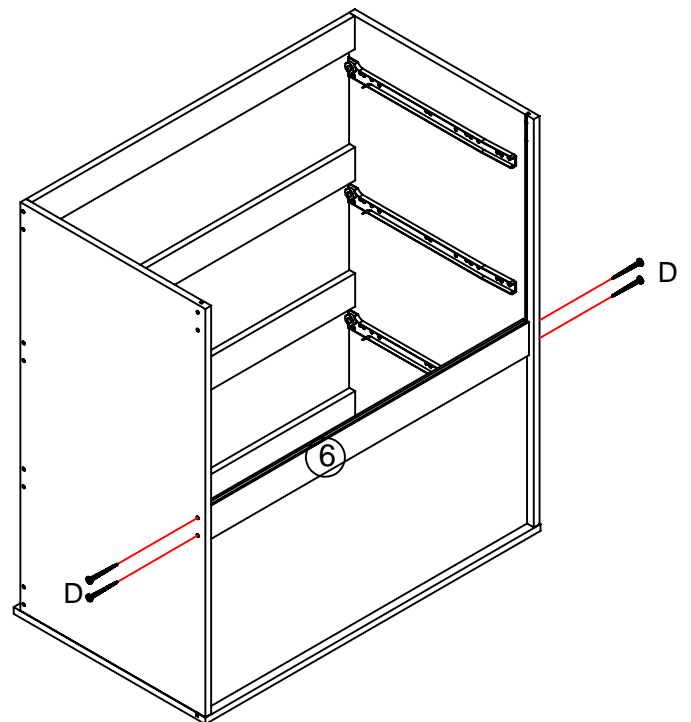
6




7

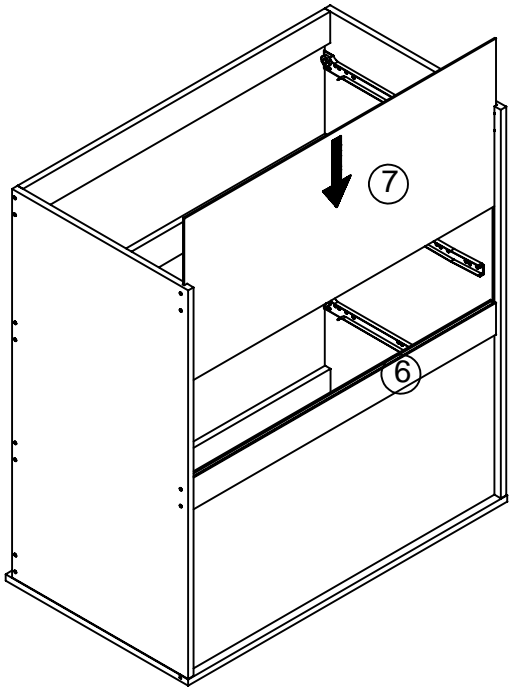


8

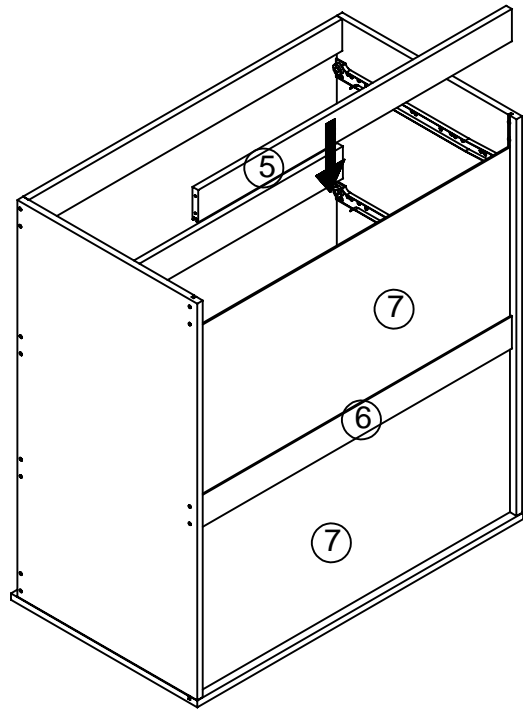


	D	x4
---	---	----

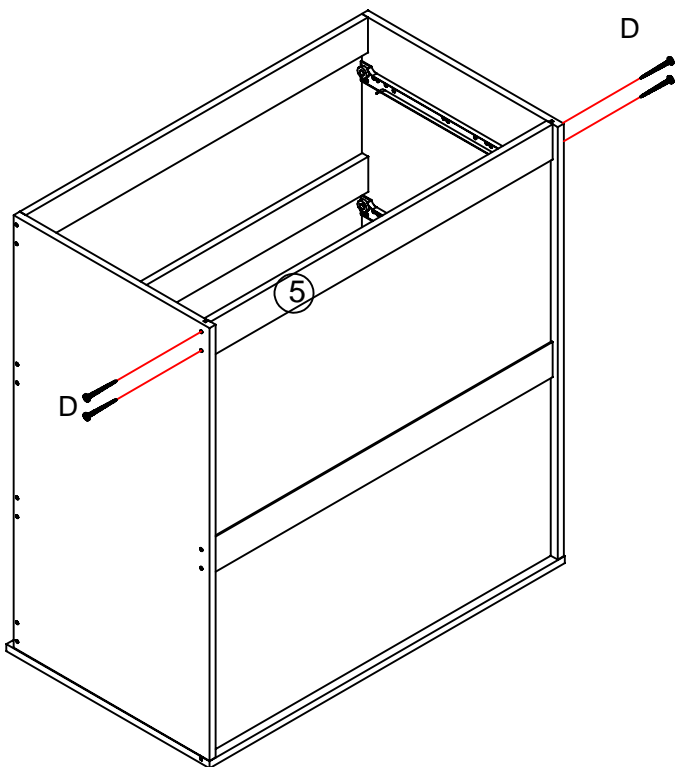
9




10

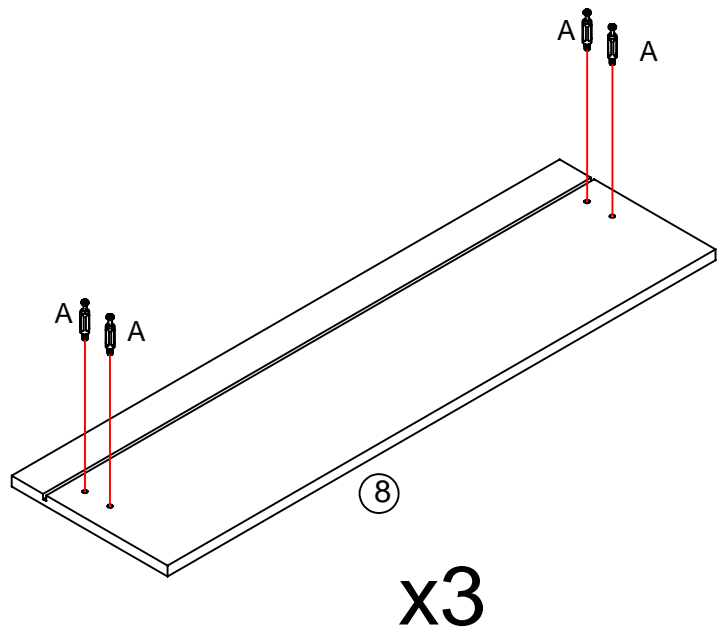


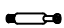
11



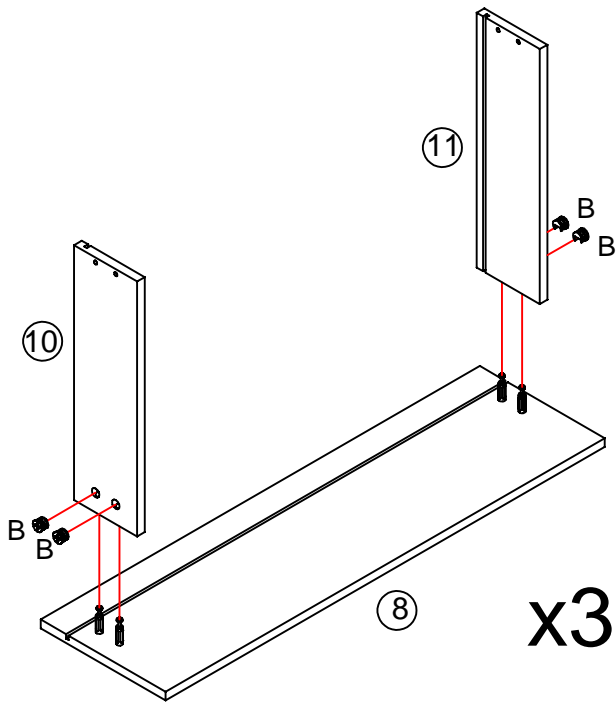
	D	x4
---	---	----

12



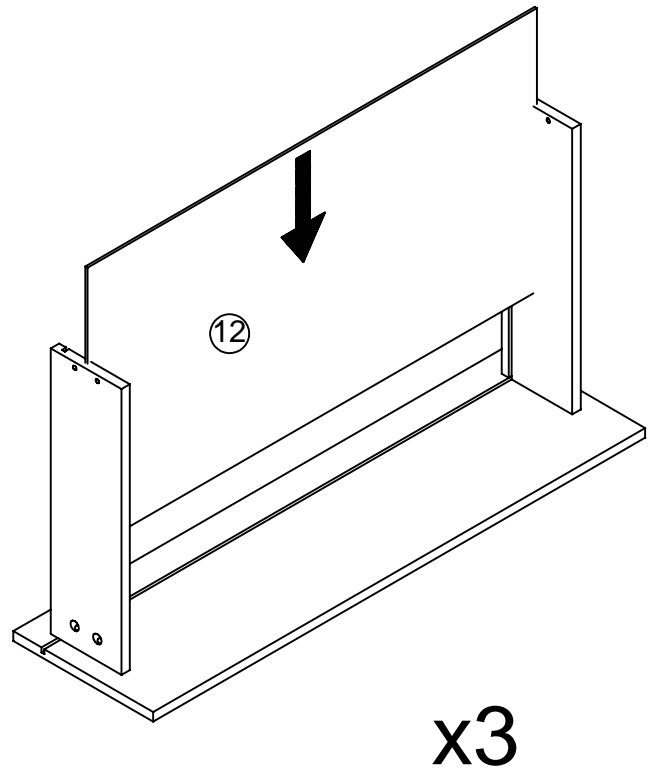
	A	x12
---	---	-----

13

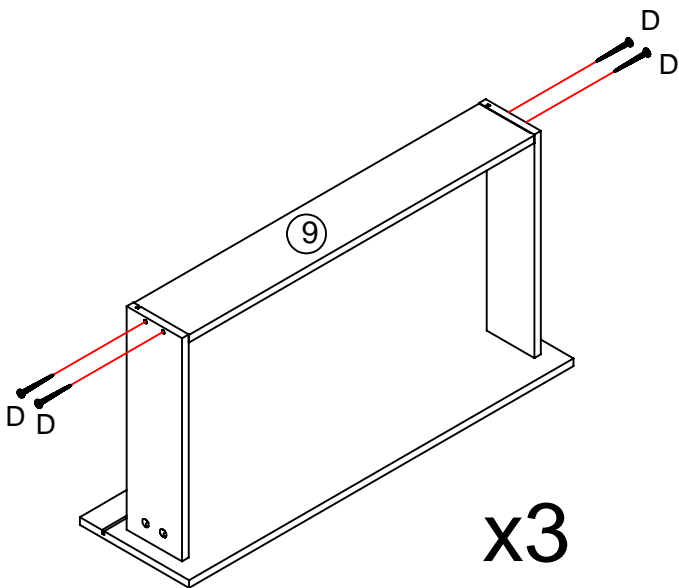


	B	x12
--	---	-----

14

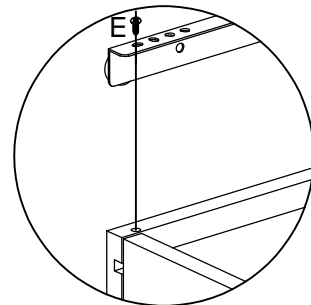
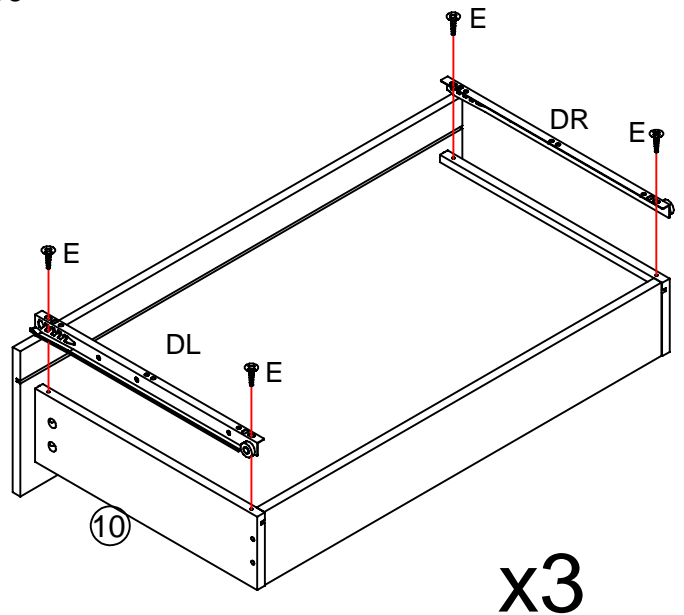


15



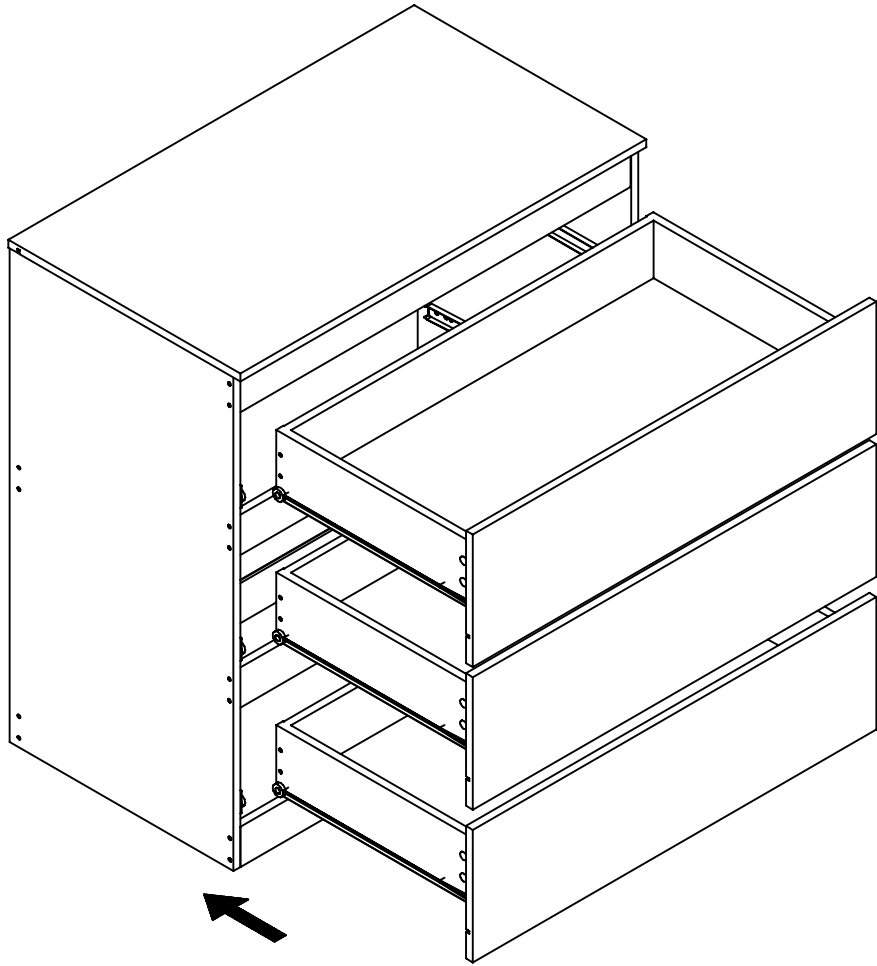
	D	x12
--	---	-----

16



	DR	x3
	DL	x3
	E	x12

17



18

