

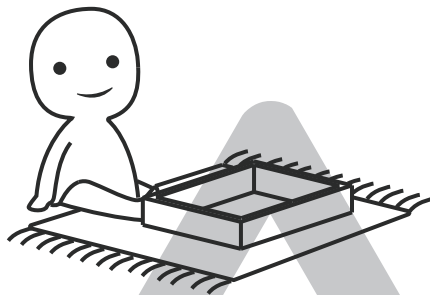
INSTALLATION

Product Manual



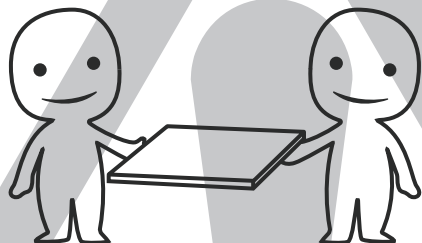
IMPORTANT INFORMATION!

please read the entire manual before starting to assemble and/or using this product. follow the manual thoroughly and keep it for further reference.



AVOID SCRATCHES!

In order to avoid scratching this furniture should be assembled on a soft layer - could be a rug.



IMPROVE EFFICIENCY !

Try to find a partner to install with you, which can speed up the installation efficiency and shorten the time.



ANTI-TOPPLE WARNING !

Overtipped furniture can cause serious or fatal crush injuries. To prevent tipping over, be sure to use the wall attachment, if not included with this product. Please purchase the wall attachment that fit your wall. If unsure, seek professional advice. Please read and follow each step of the instructions carefully.

IMPORTANT !

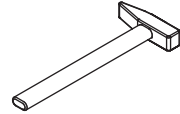
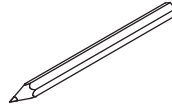
It is important that any product which is assembled using any kind of screw is re-tightened 2 weeks after assembly, and once every 3 months - in order to assure stability through-out the lifespan of the product.

For regular maintenance and cleaning of the product, for the frame, please use a rag dipped in neutral detergent to fully wipe it, and then dry it with a clean rag. For glass materials, wipe with a rag dampened with water glass cleaner, and then dry with a dry rag.

Do not use an electric screwdriver, and do not use too much force when installing, because the board is easy to break.

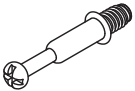


Please prepare the following tools




When installing, please carefully confirm whether each screw corresponds to the manual, accessories with similar shapes can be distinguished by size

A x 273




CRA0635B

B x 278

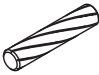


C x 273



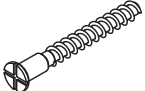
CRB1595A

D x 262



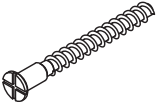
CRF0630A

E x 86



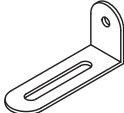
CRC0540A

F x 24

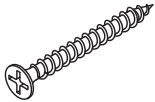


CRD0550A

G x 6

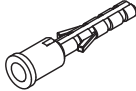


H x 6




CRD3535A

J x 6




K x 366




CRD3512A

L x 84

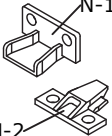


CRE0316A

M x 24

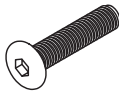


N x 56




N-1
N-2

P x 5

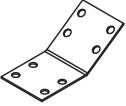


CRG0630A


Q x 10



R x 13

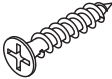


S x 12



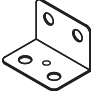
CRF0620A

T x 22




CRD3520A


U x 2

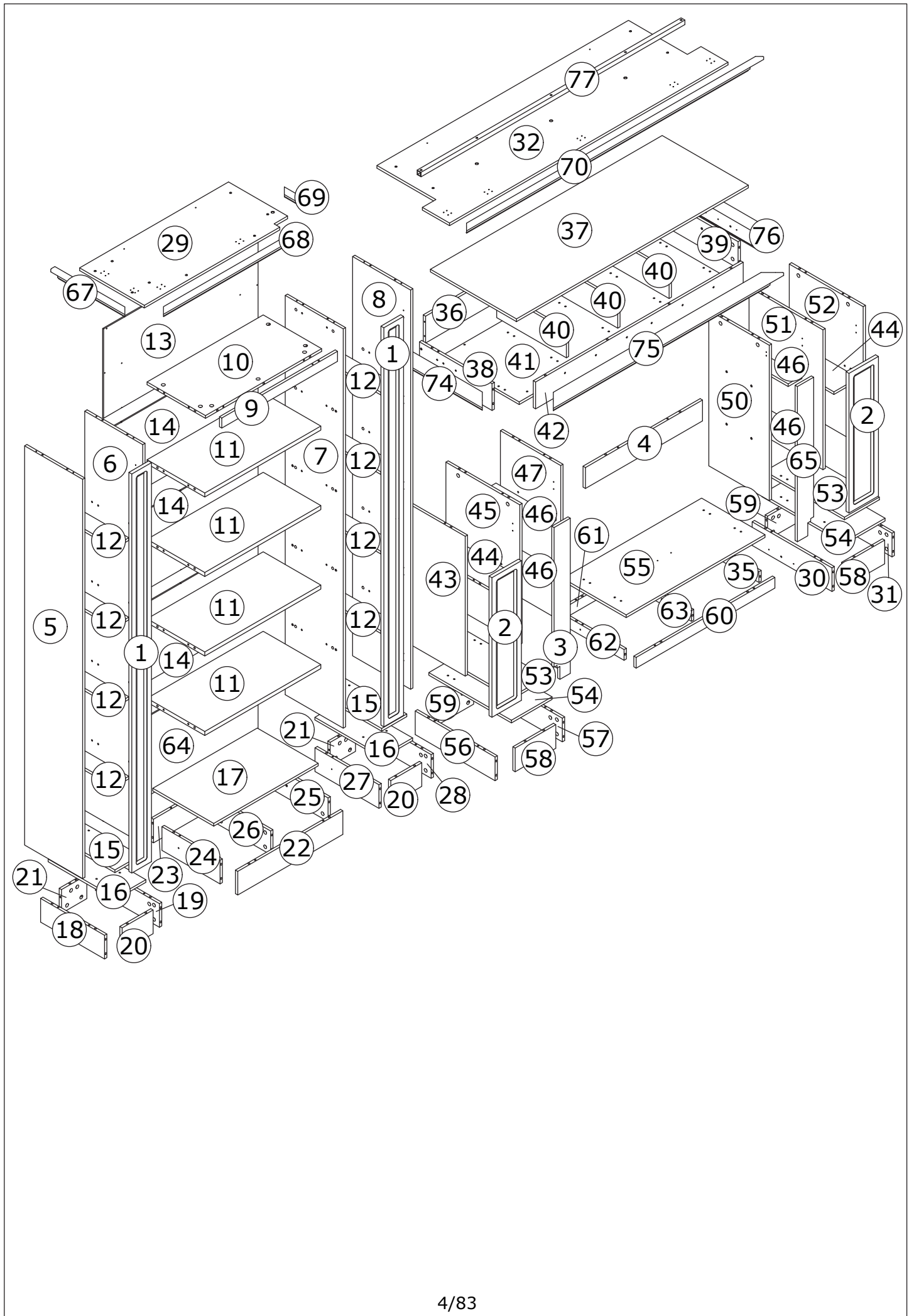


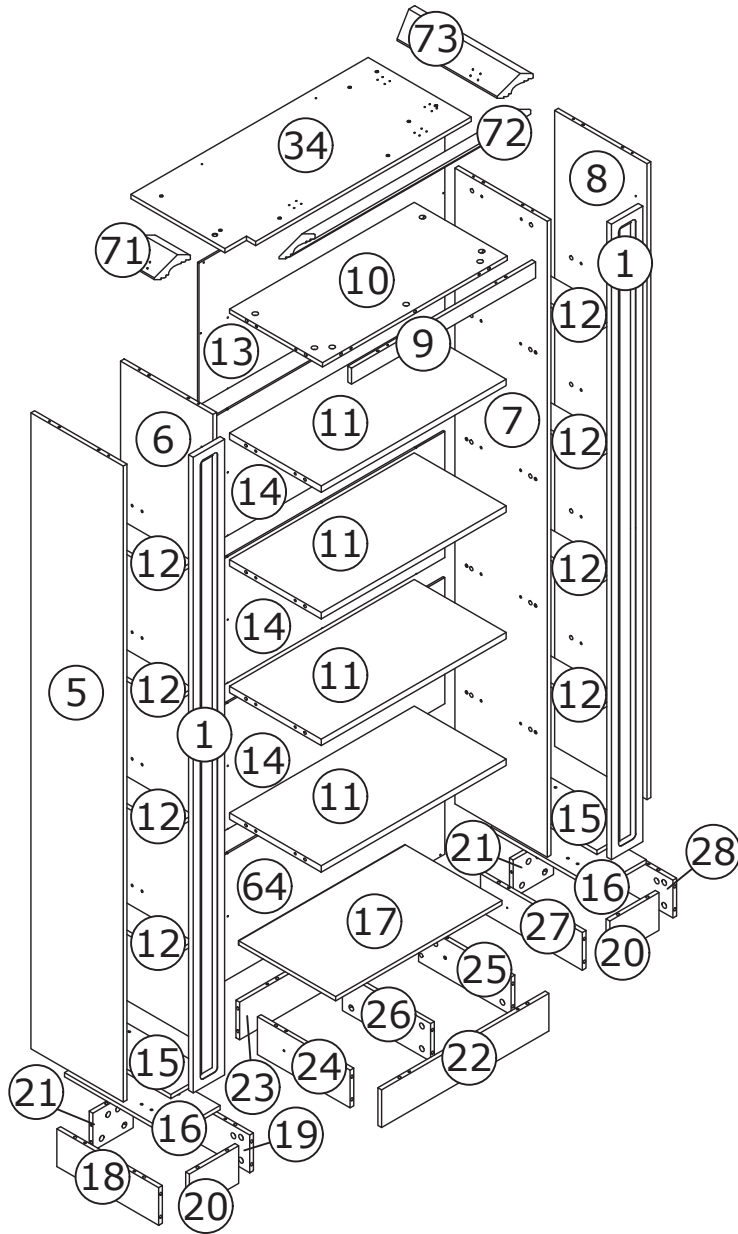
V x 6



W x 1







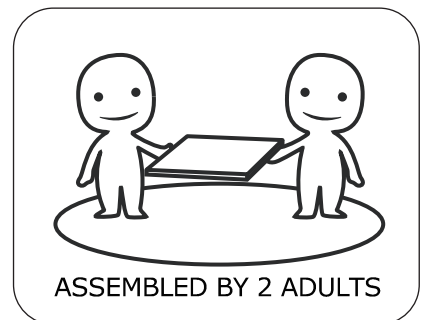
⚠ WARNING



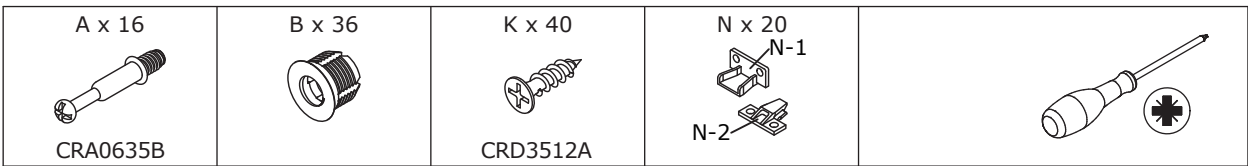
Children have died from furniture tipover. To reduce the risk of furniture tipover:

- ALWAYS install Anti-tip device provided.
- NEVER put a TV on this product.
- NEVER allow children to stand, climb or hang on drawers, doors, or shelves.
- NEVER open more than one drawer at a time.
- Place heaviest items in the lowest drawers.

*This is a permanent label.
Do not remove!*

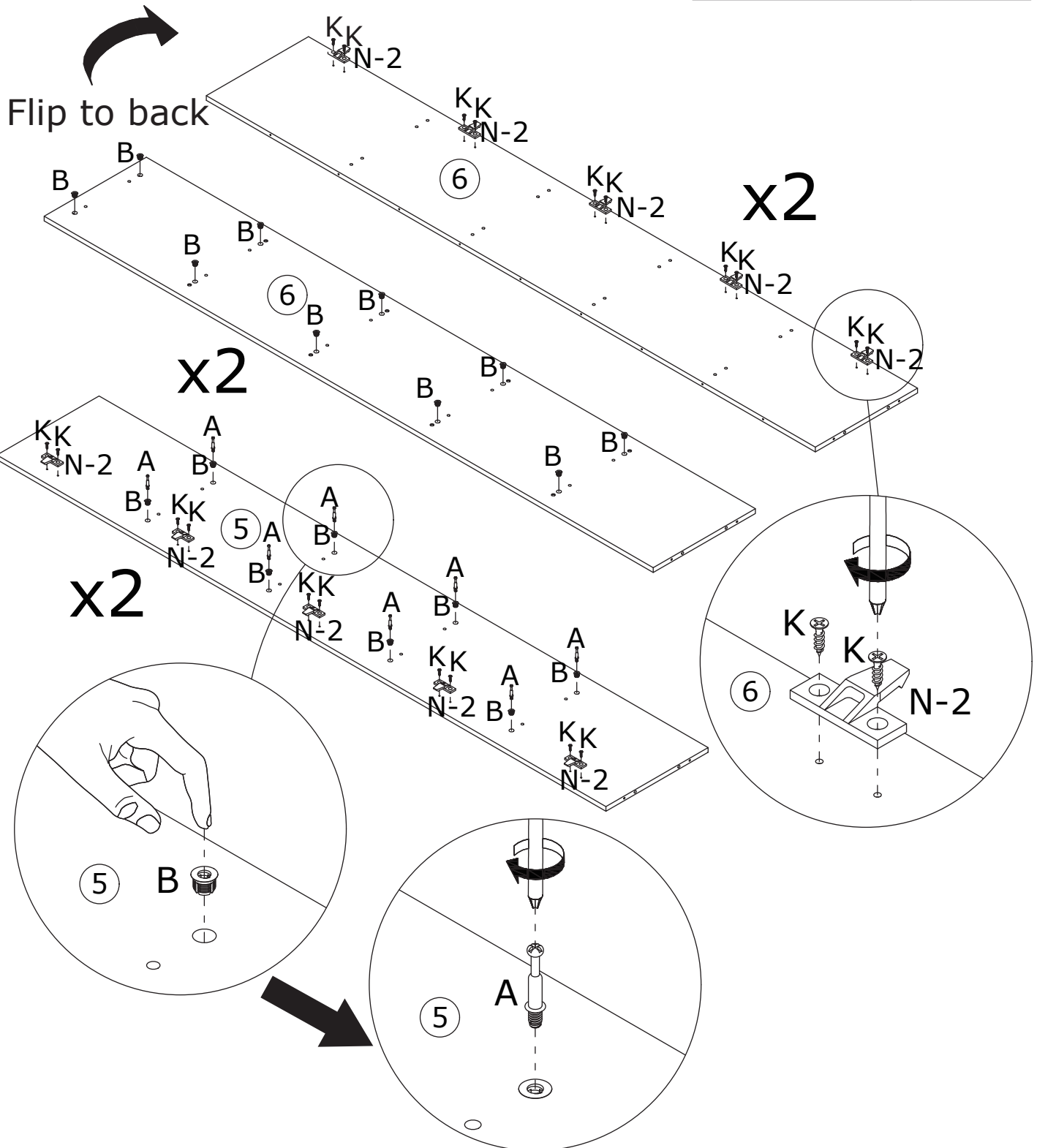
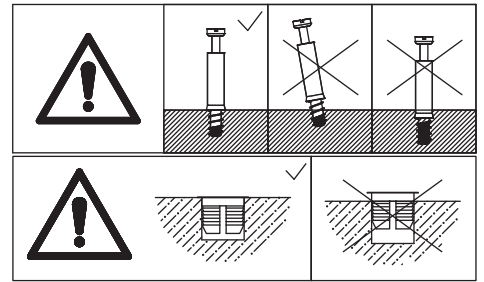


1

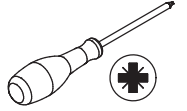
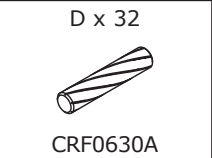


First install plugs (B) onto panels 5 and 6, then screw self-tapping rods (A) onto panel 5.

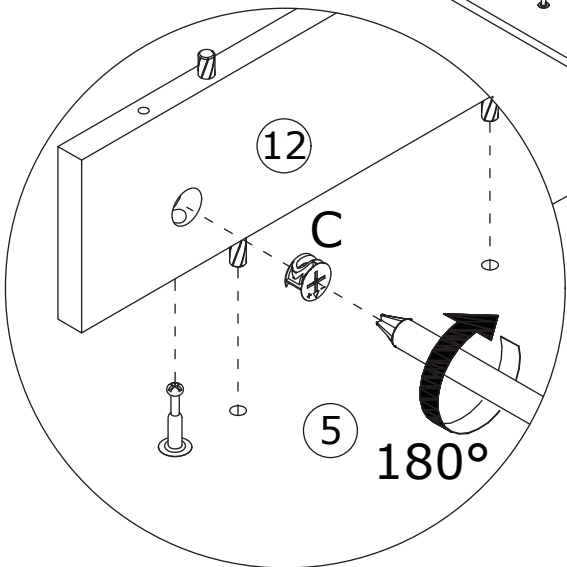
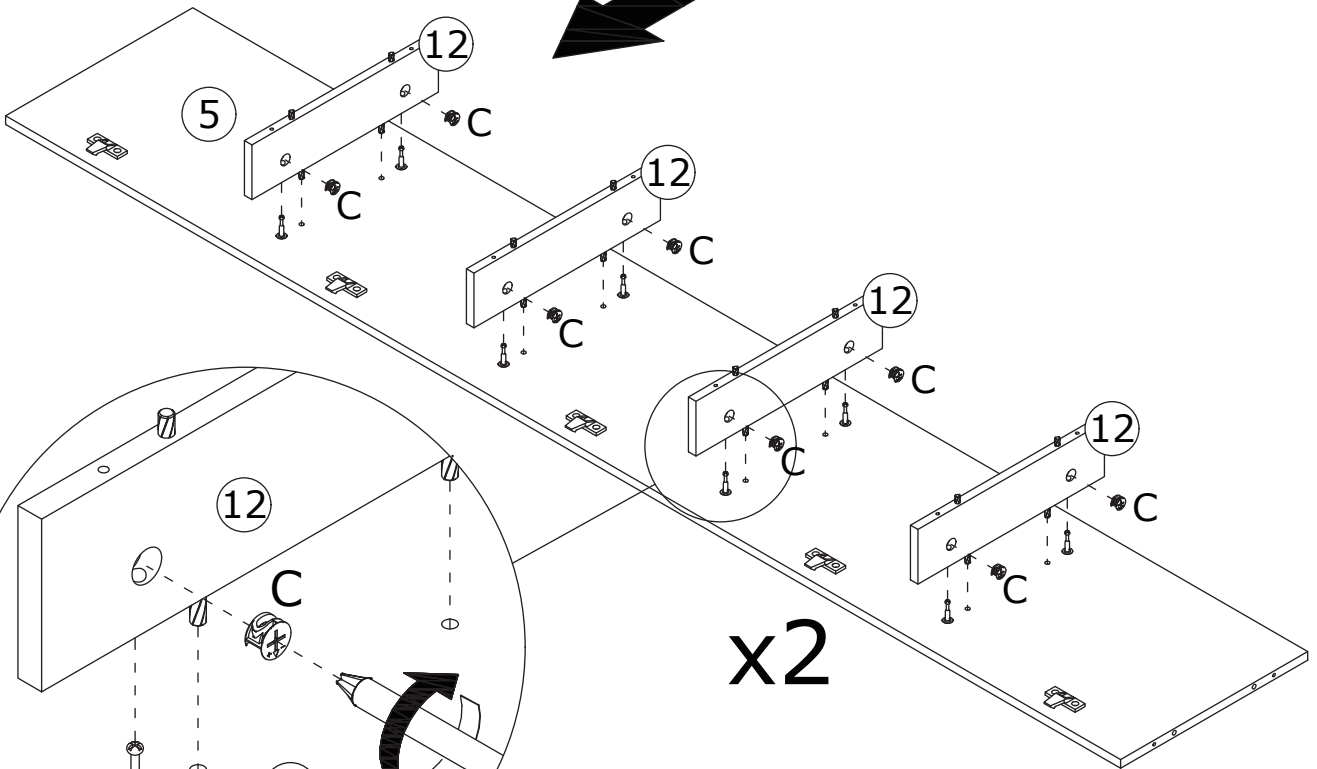
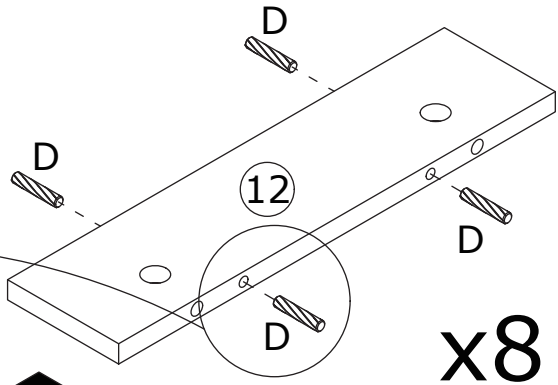
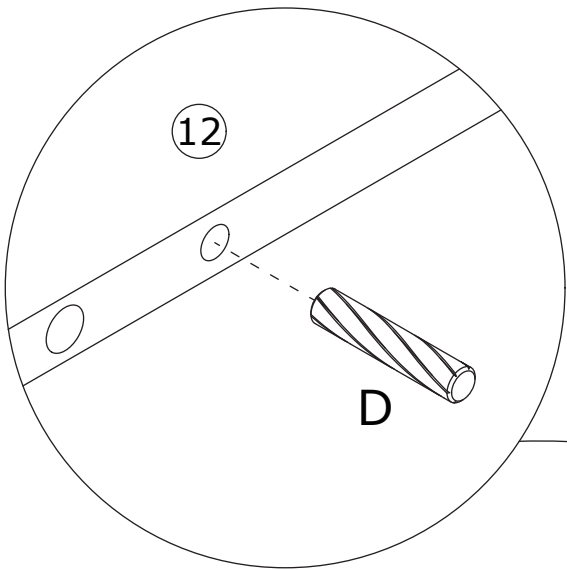
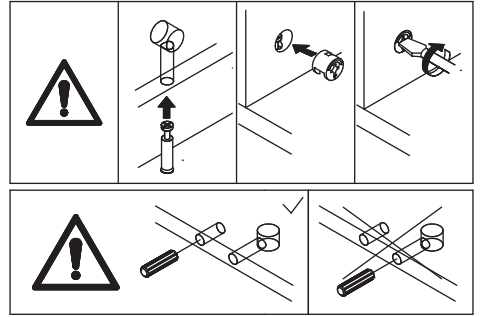
Use screws (K) to secure component (N-2) to panels 5 and 6.



2

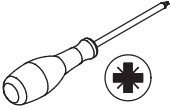


Install dowels (D) into panel 12.
Connect panel 12 to panel 5, then tighten
by turning eccentric wheel (C) clockwise.

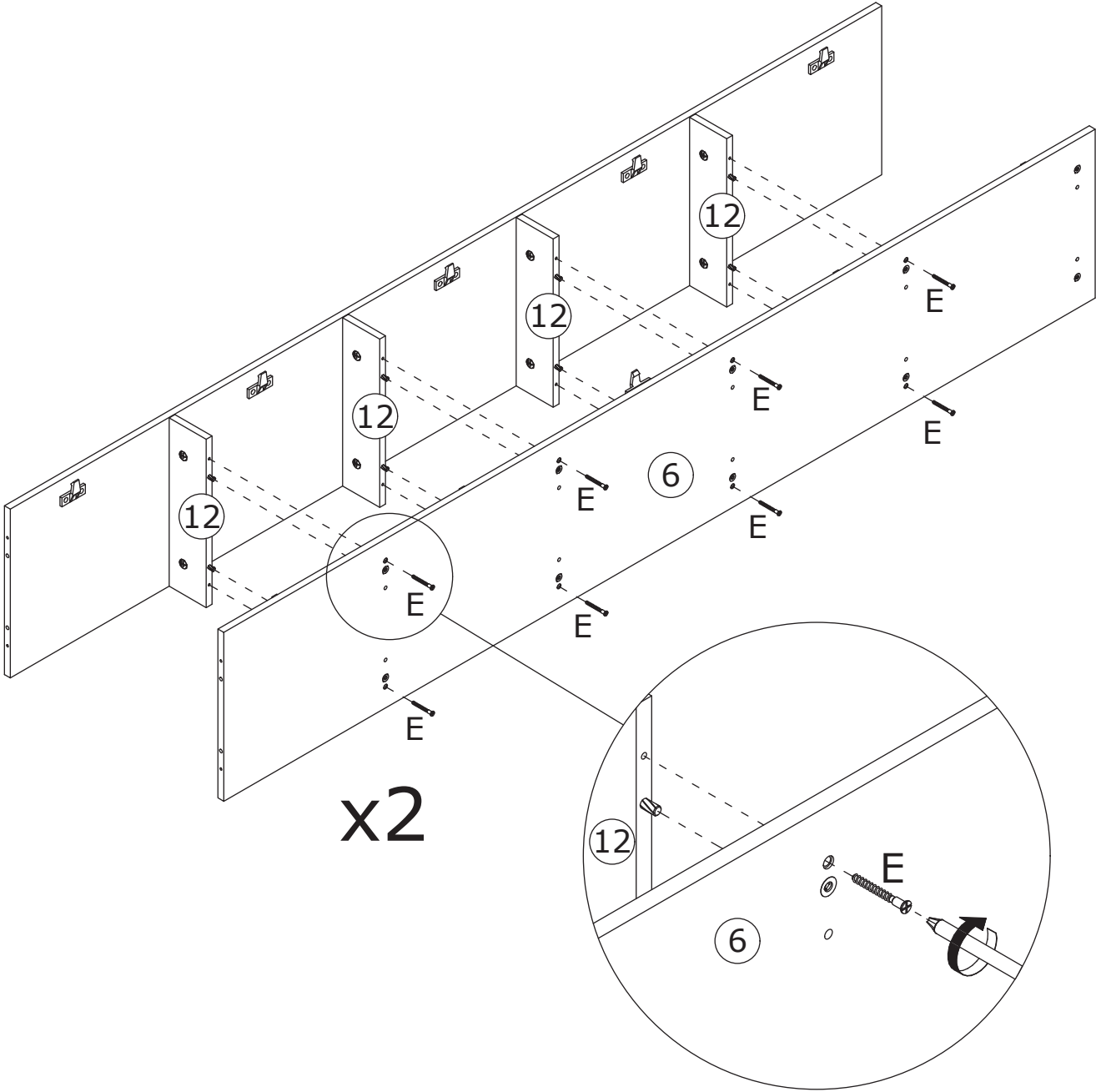


3

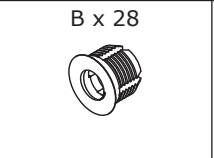
E x 16
CRD0540A



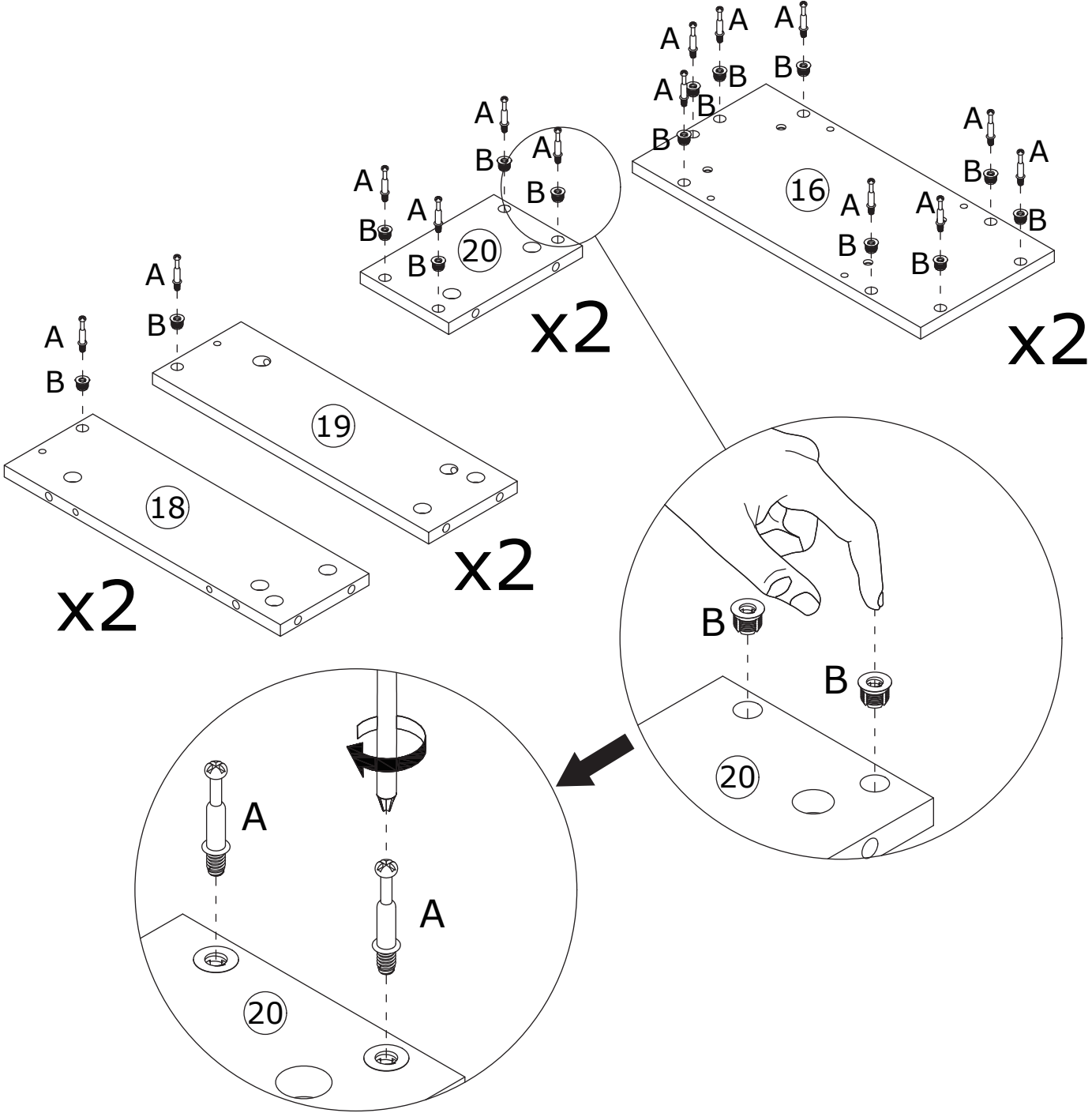
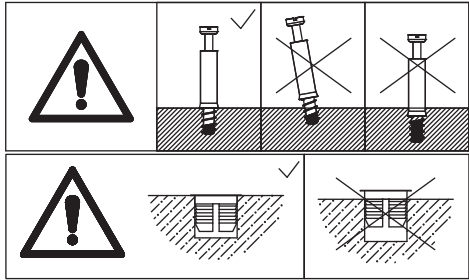
Attach panel 6 to panel 12 using screws (E).



4



First install plugs (B) onto panels 16, 18, 19, and 20.
Then screw self-tapping rods (A) onto.

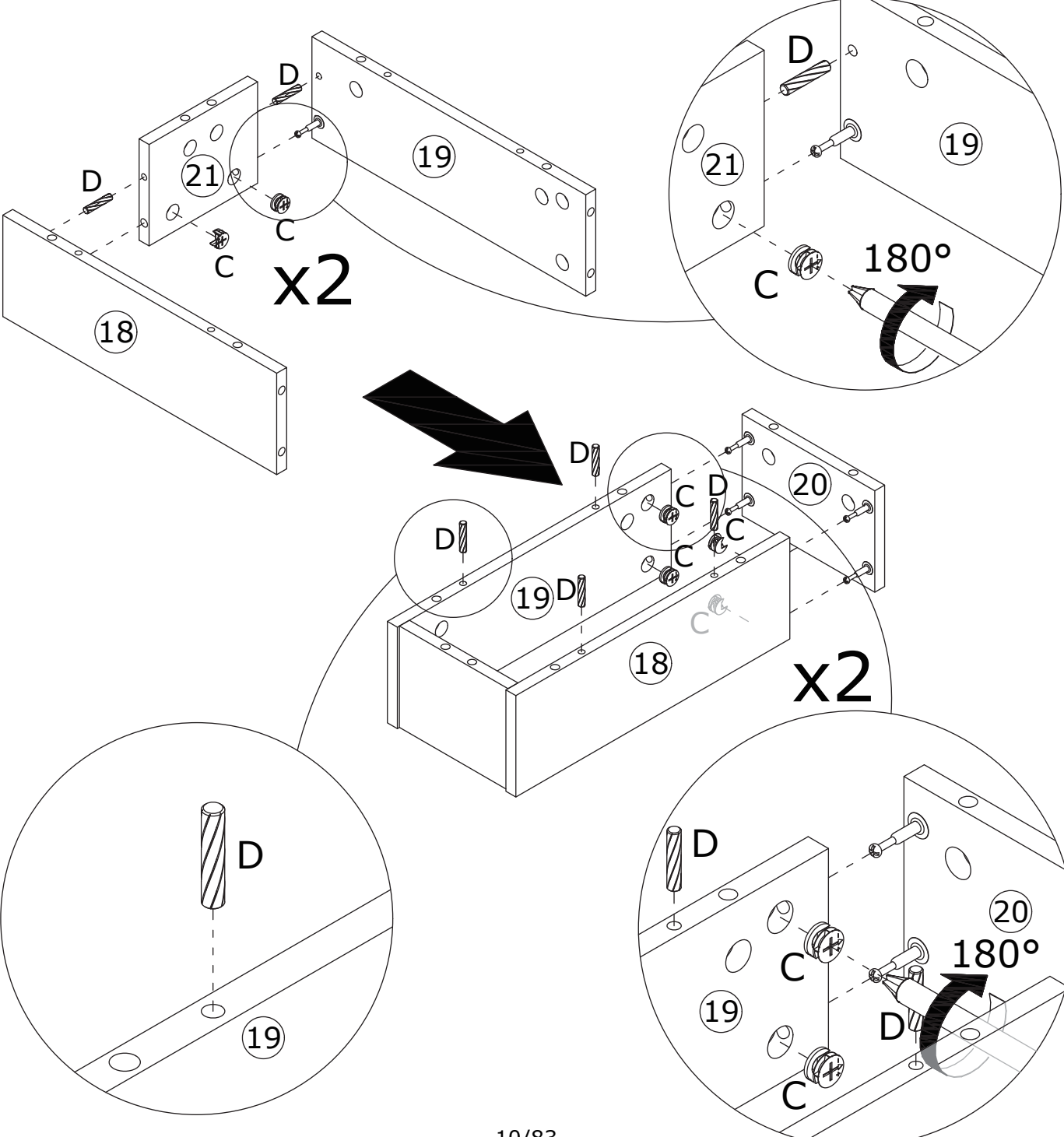
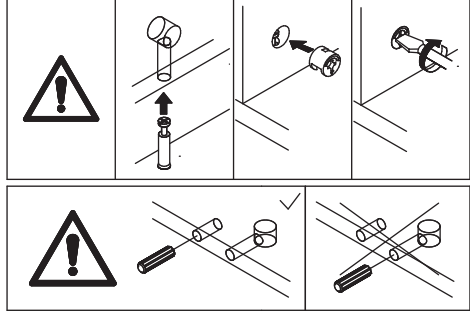


5



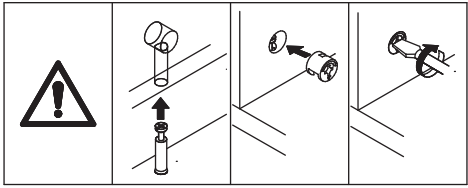
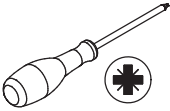
Connect panels 18 and 19 to panel 21 using dowels (D), then tighten by turning eccentric wheel (C) clockwise.

Connect panel 20 to panels 18 and 19, then tighten by turning eccentric wheel (C) clockwise. Install dowels (D) into panels 18 and 19.

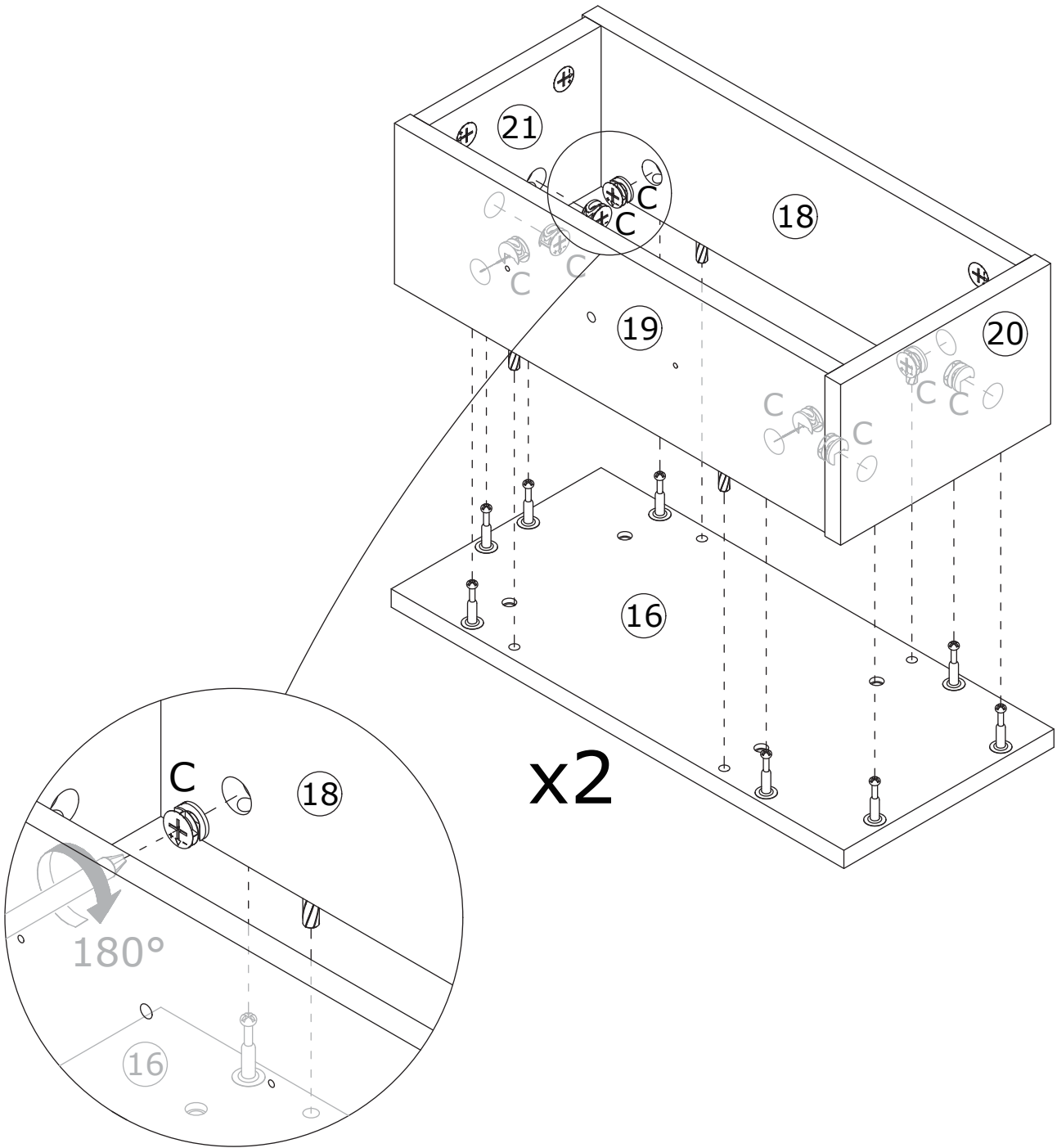


6

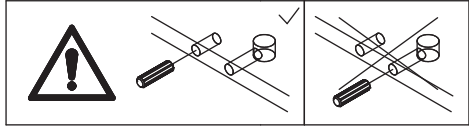
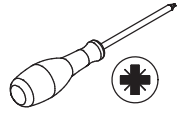
C x 16
CRB1595A



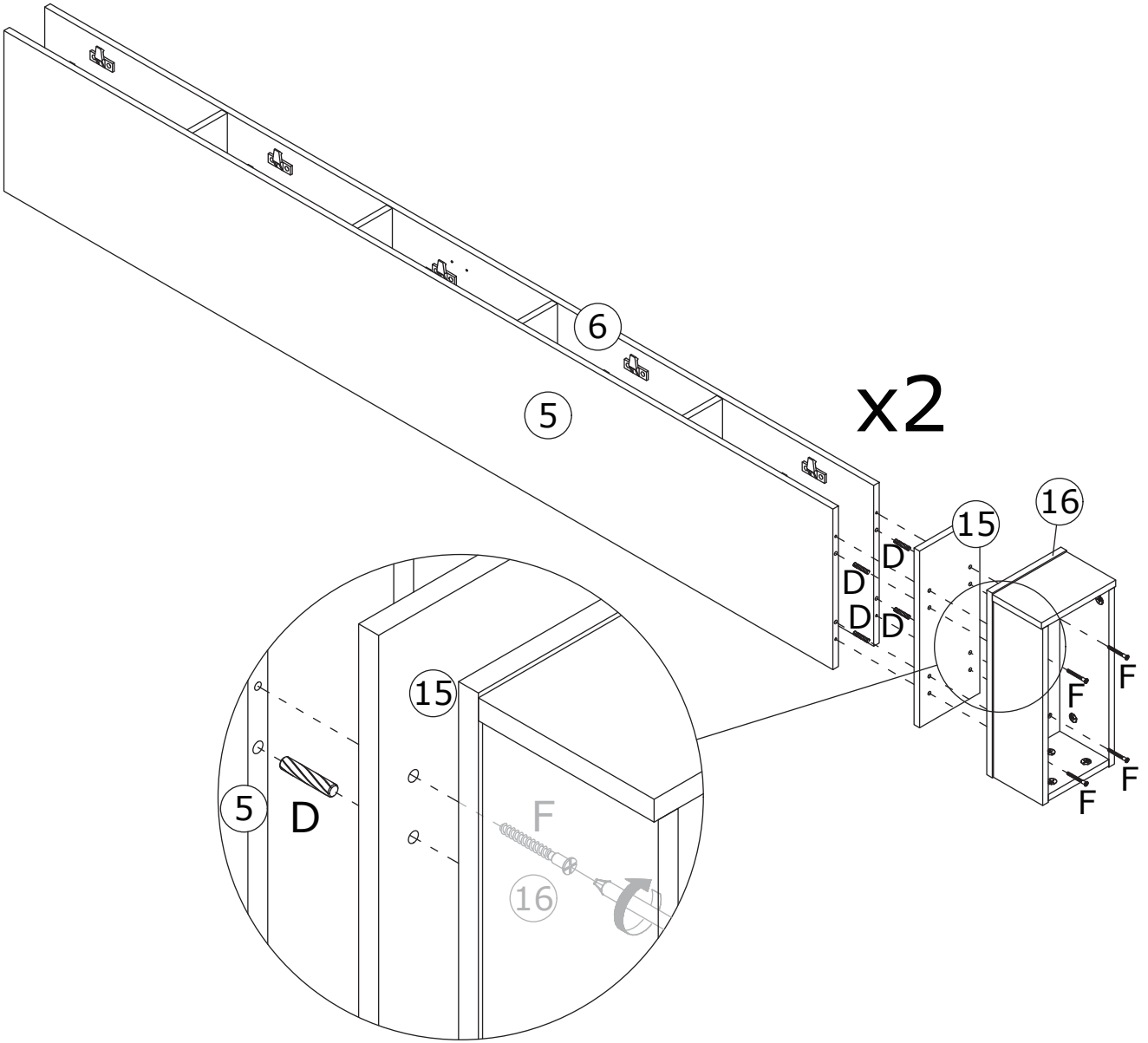
Connect panels 18, 19, 20, and 21 to panel 16, then tighten by turning eccentric wheel (C) clockwise.



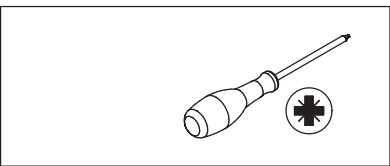
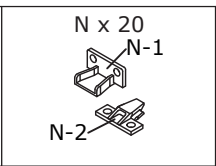
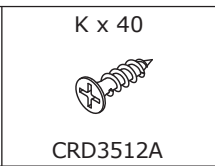
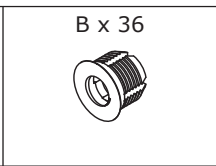
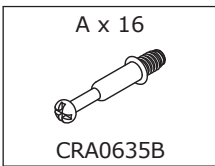
7



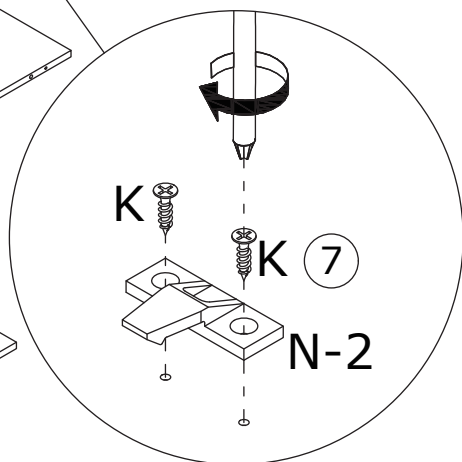
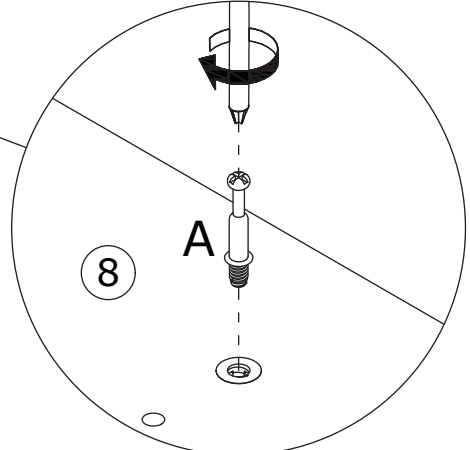
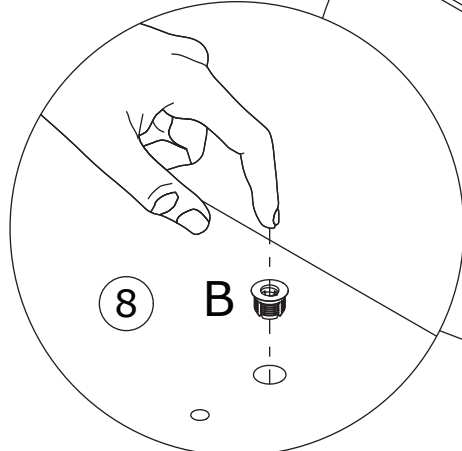
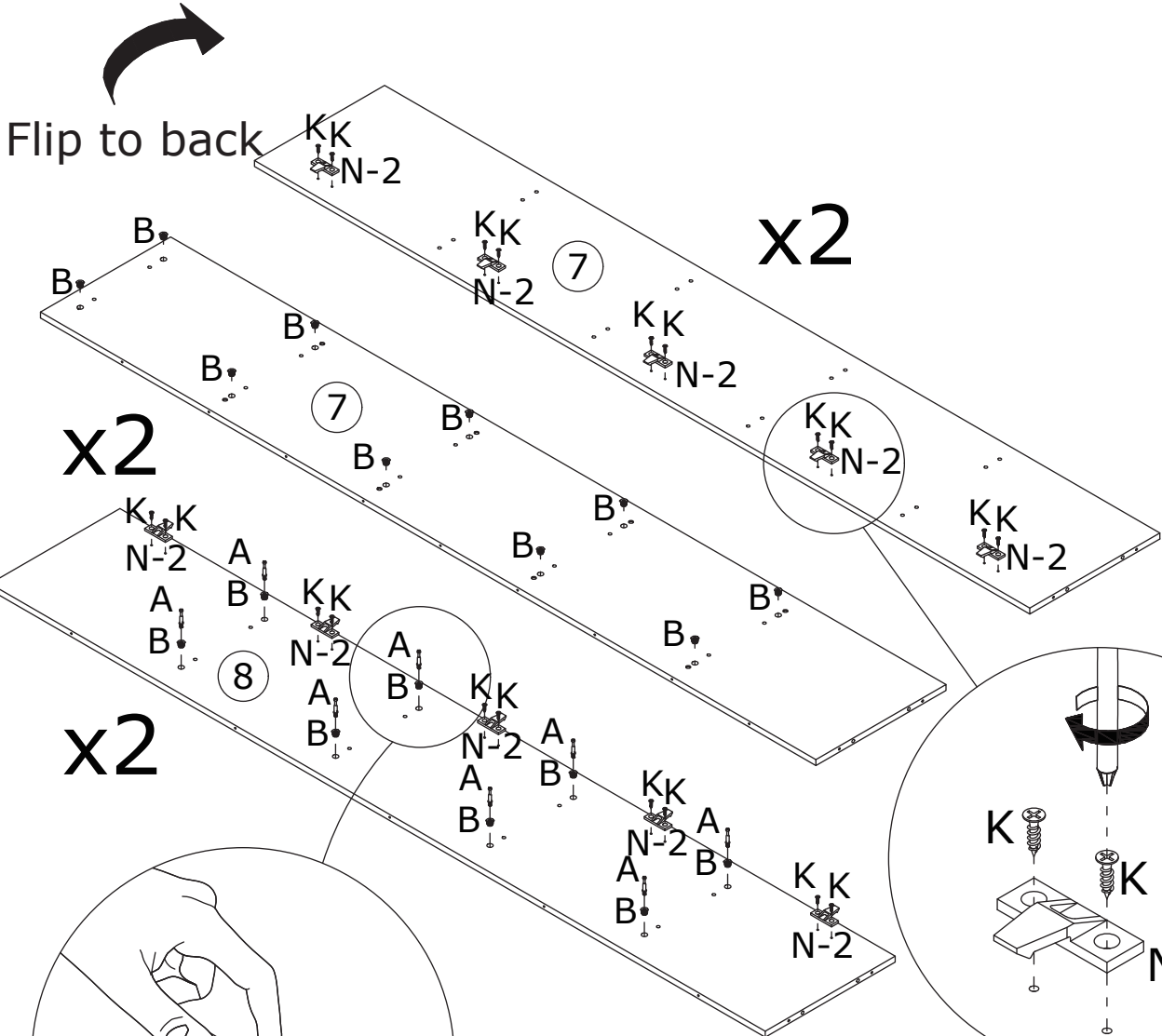
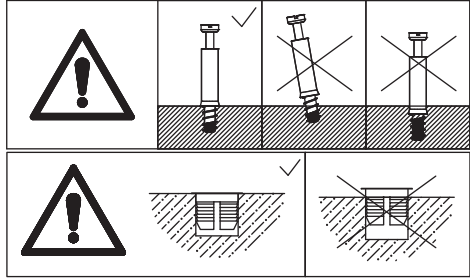
Connect panels 15 and 16 to panels 5 and panel 6 using dowels (D), and secure them with screws (F).



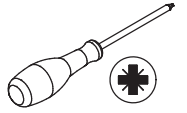
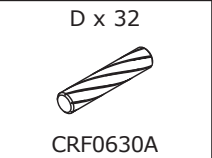
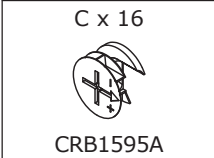
8



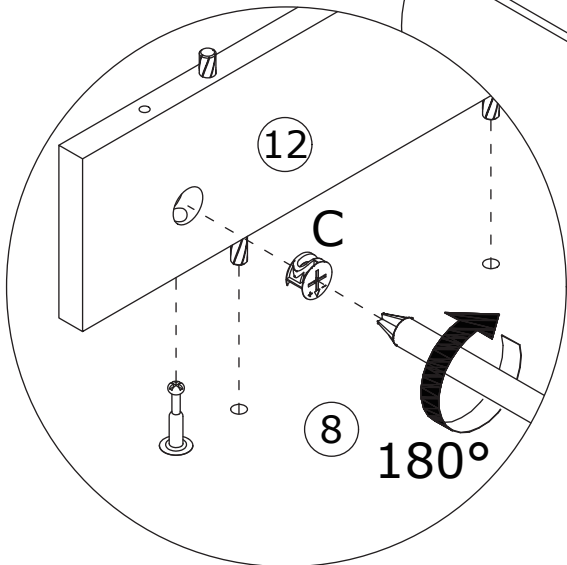
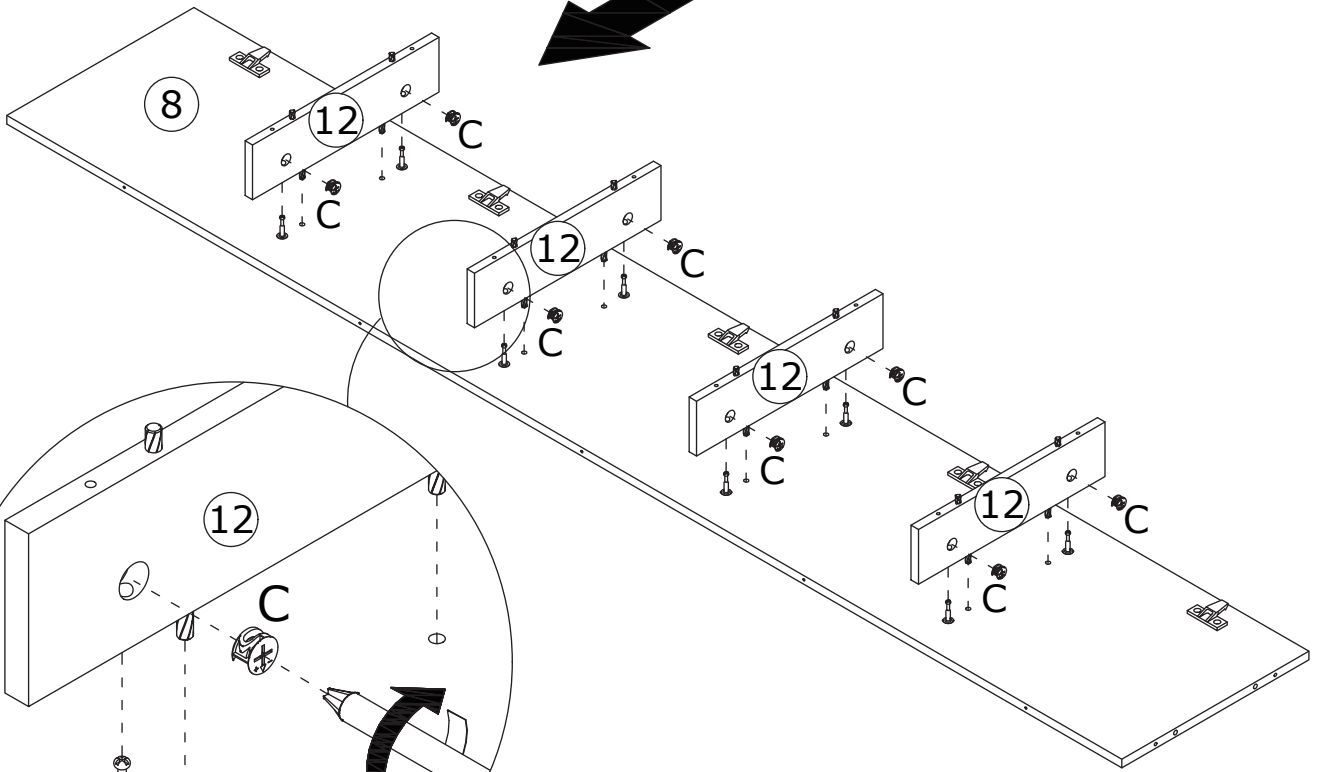
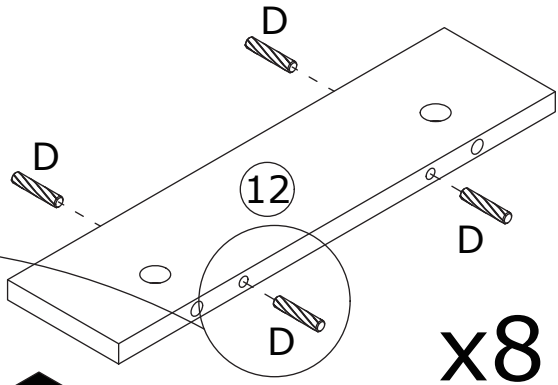
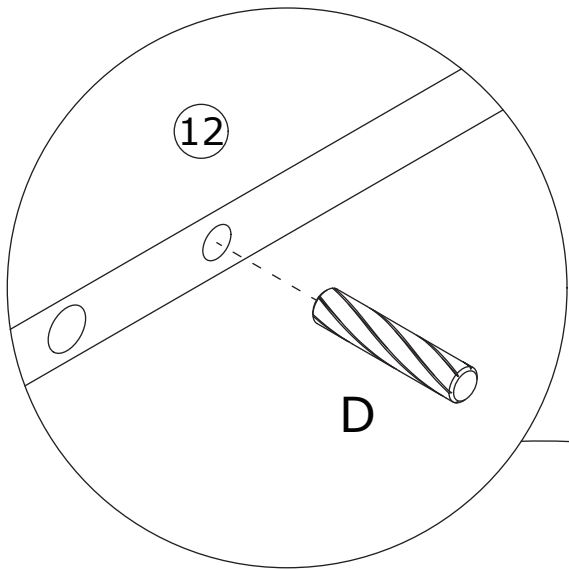
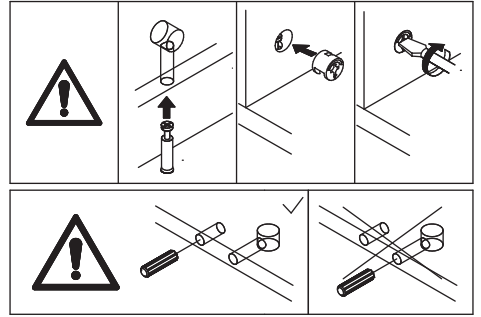
First install plugs (B) onto panels 7 and 8, then screw the self-tapping rods (A) onto panel 8.
Use screws (K) to secure component (N-2) to panels 7 and 8.



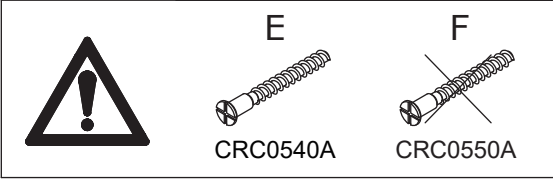
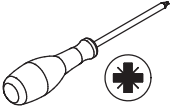
9



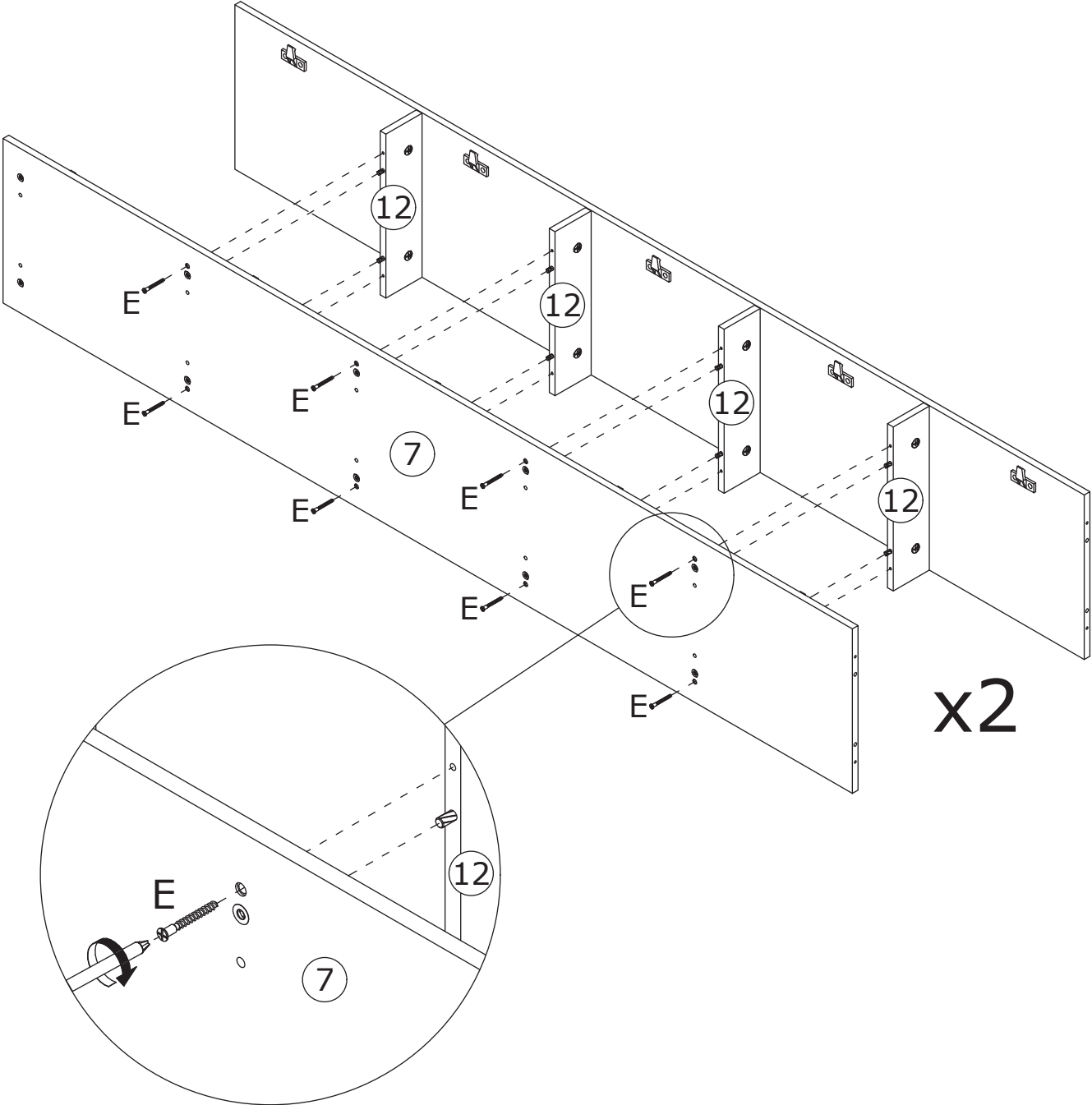
Install dowels (D) into panel 12.
Connect panel 12 to panel 8, then tighten by
turning eccentric wheel (C) clockwise.



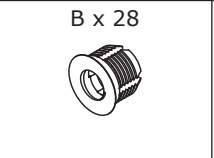
10



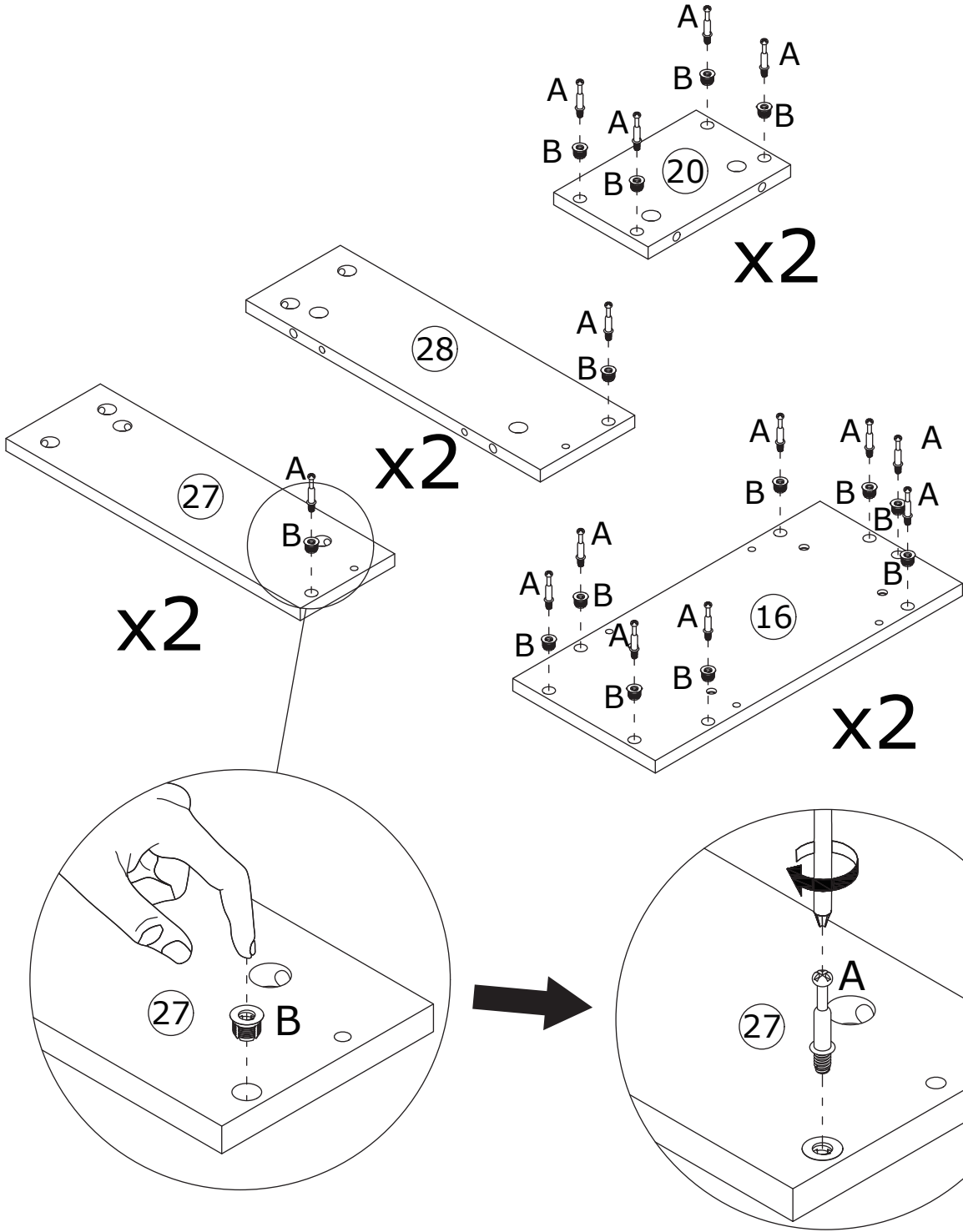
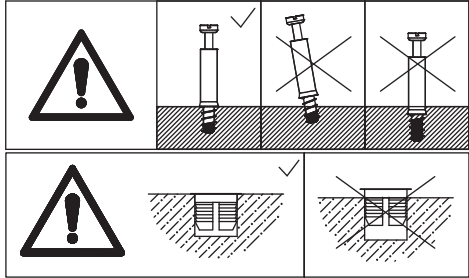
Attach panel 7 to panel 12 using screws (E).



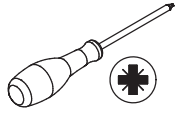
11



First install plugs (B) onto panels 16, 20, 27, and 28.
Then screw the self-tapping rods (A) onto.



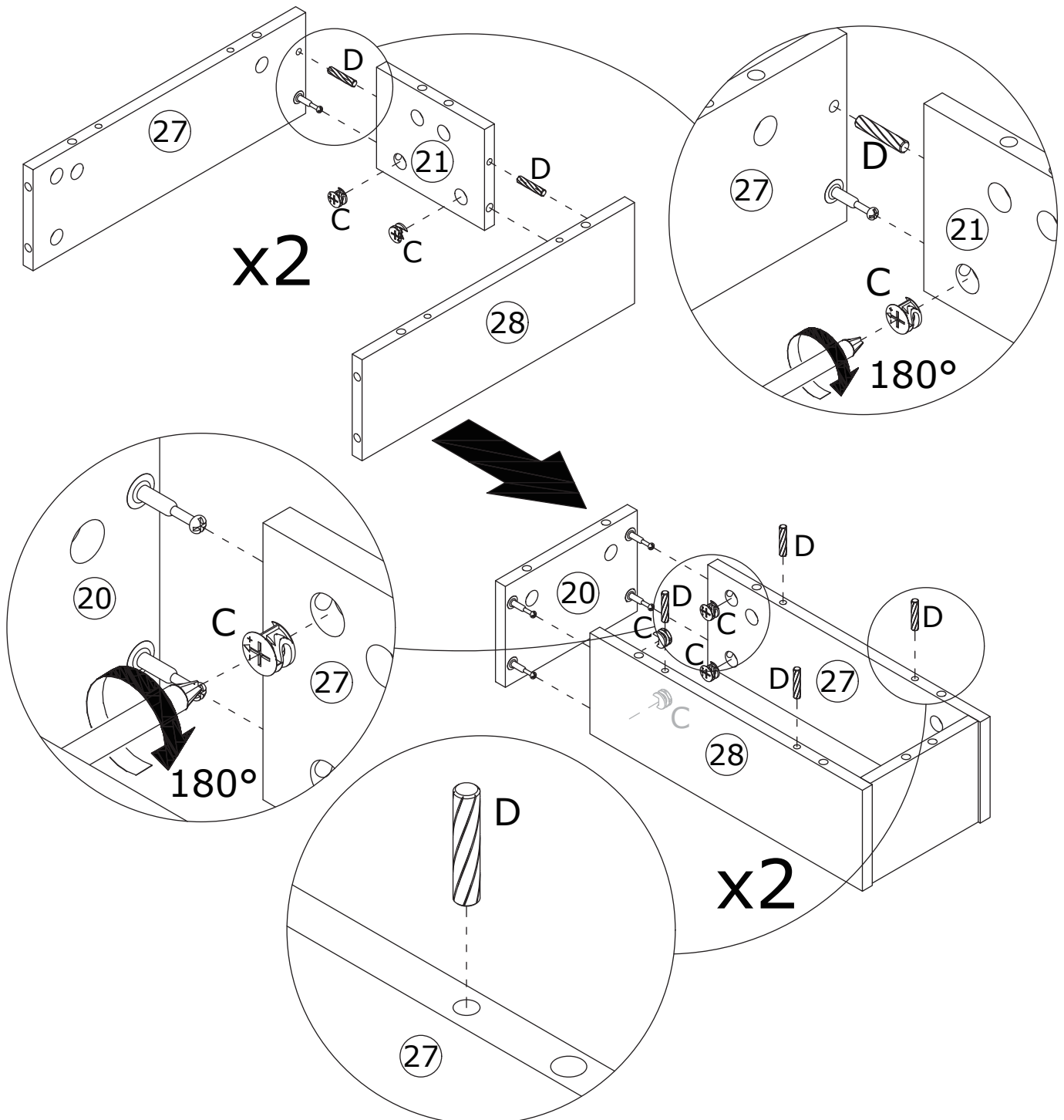
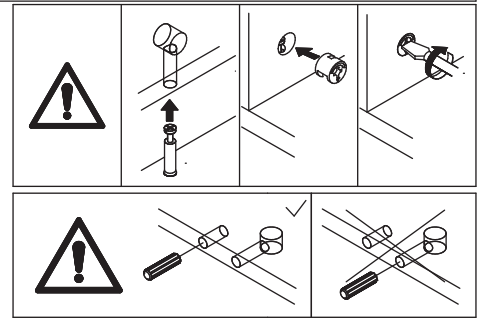
12



Attach panels 27 and 28 to panel 21 using dowels (D), then tighten by turning eccentric wheel (C) clockwise.

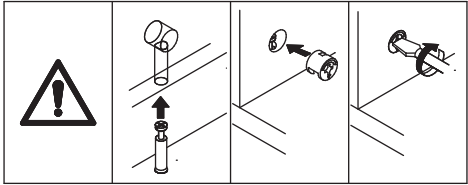
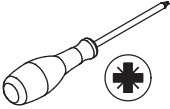
Attach panel 20 to panels 27 and 28, then tighten by turning eccentric wheel (C) clockwise.

Install dowels (D) into panels 27 and 28.

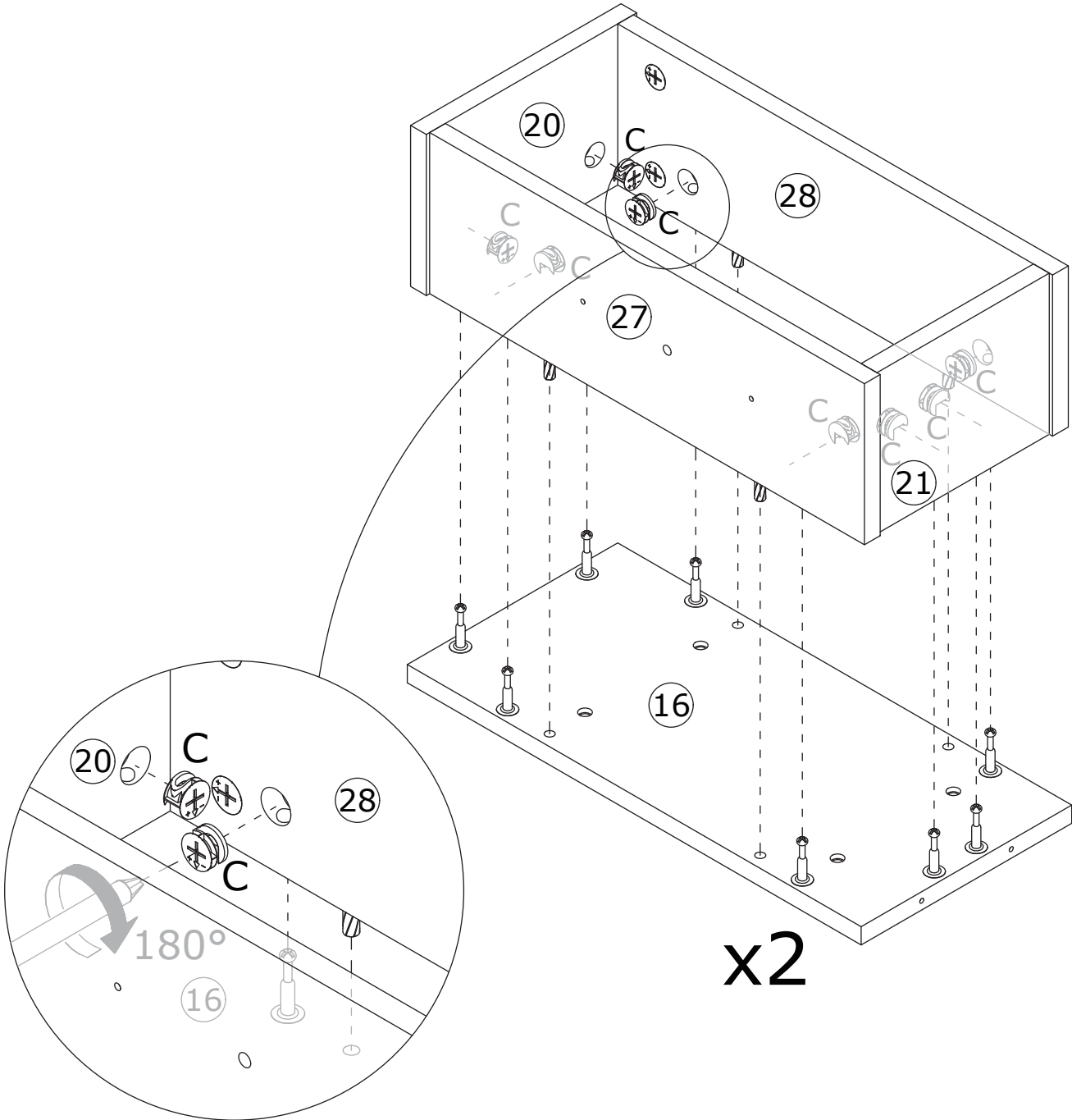


13

C x 16
CRB1595A

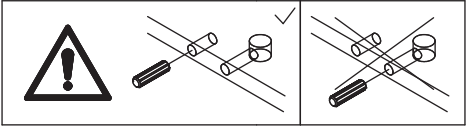


Connect panels 20, 21, 27, and 28 to panel 16, then tighten by turning eccentric wheel (C) clockwise.

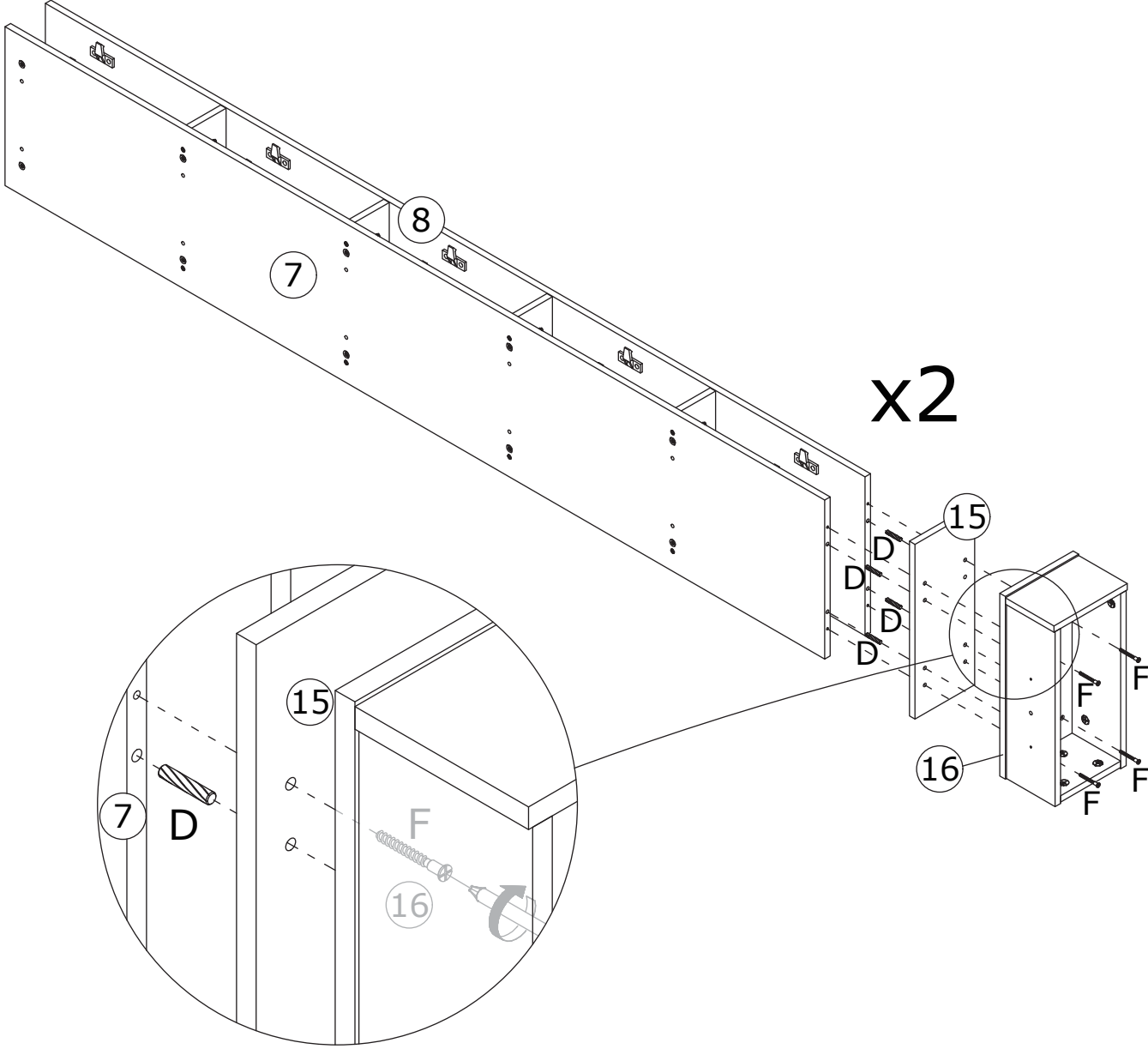


x2

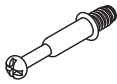


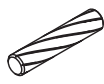
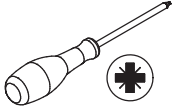
14



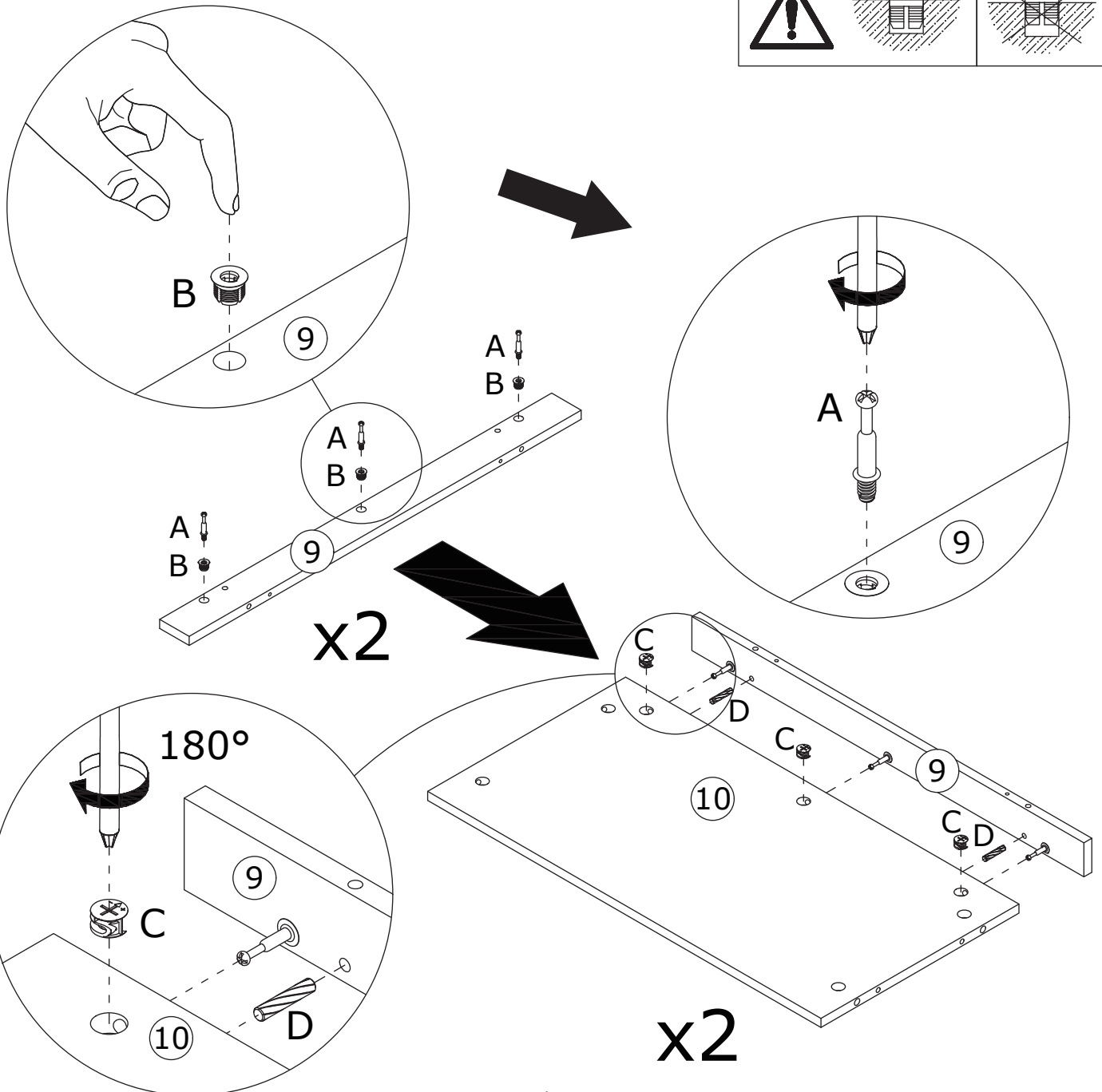
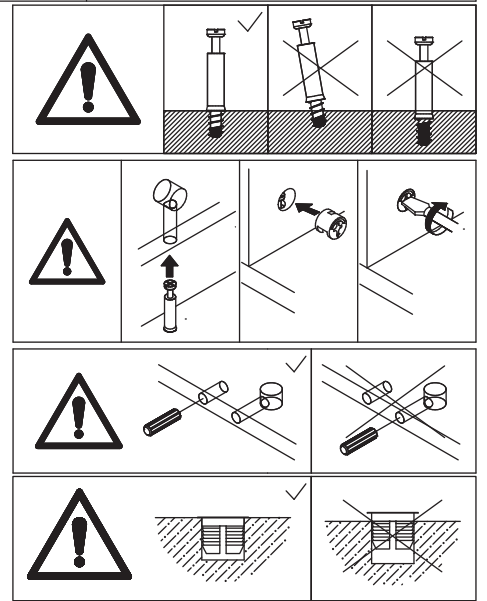
Connect panels 15 and 16 to panels 7 and 8 using dowels (D), and secure them with screws (F).



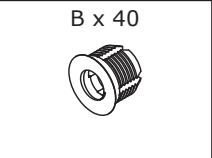
15

A x 6  CRA0635B	B x 6  CRB1595A	C x 6  CRB1595A	D x 4  CRF0630A	
--	--	--	---	---

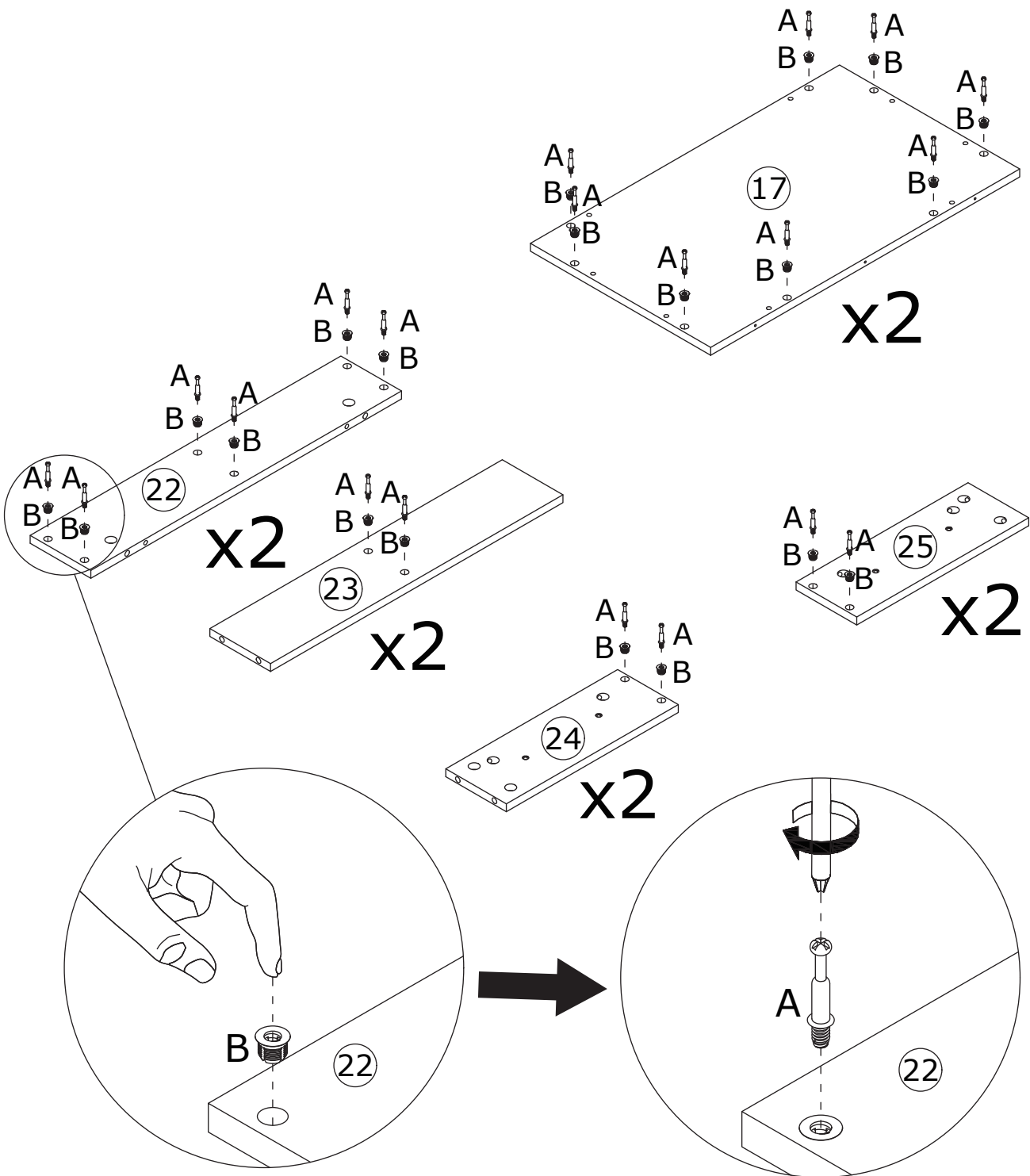
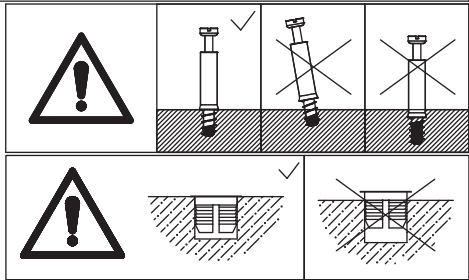
First install plugs (B) onto panel 9, then screw the self-tapping rods (A) onto. Connect panel 9 to panel 10 using dowels (D), then tighten by turning eccentric wheel (C) clockwise.



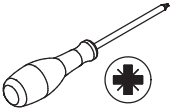
16



First install plugs (B) onto panels 17, 22, 23, 24, and 25.
Then screw the self-tapping rods (A) onto.

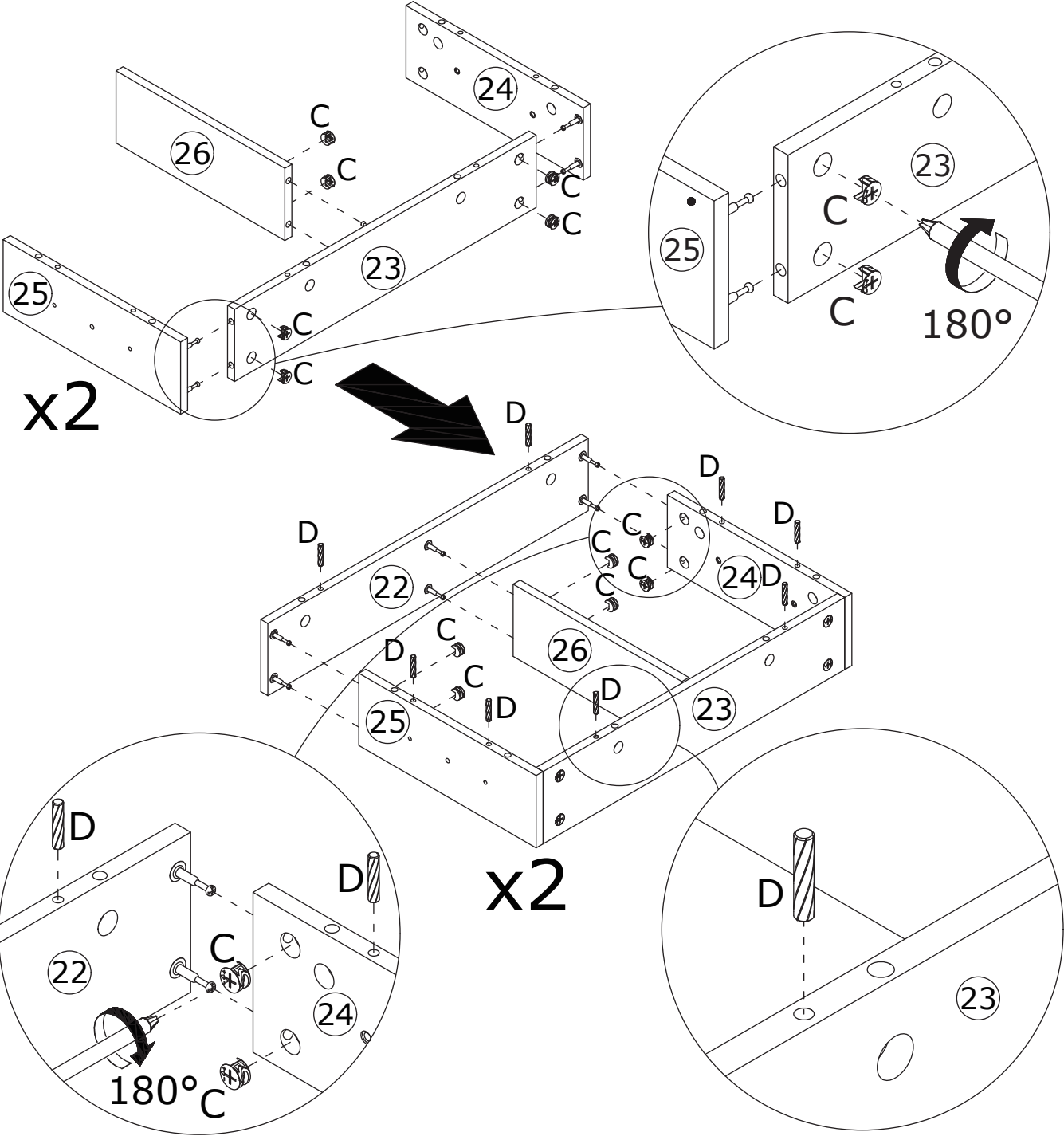
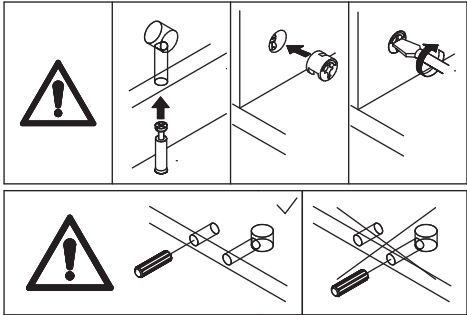


17



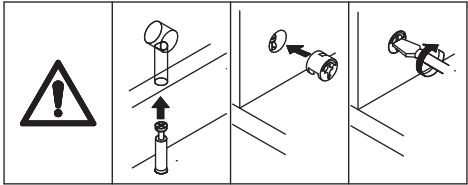
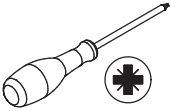
Connect panels 24, 25, and 26 to panels 23 and 22, then tighten by turning eccentric wheel (C) clockwise.

Install dowels (D) into panels 22, 23, 24, and 25.

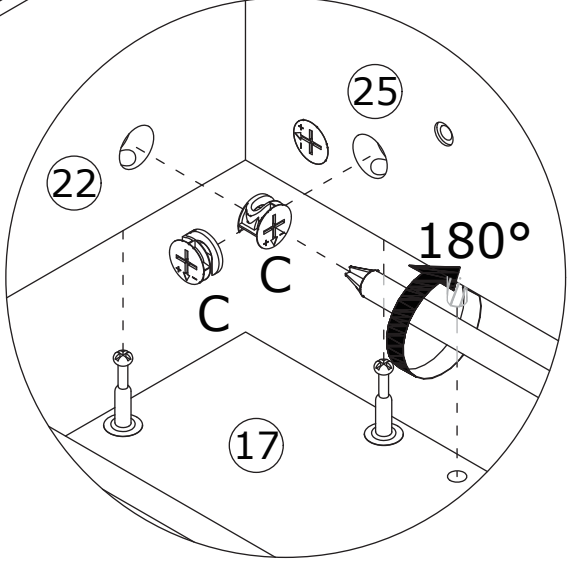
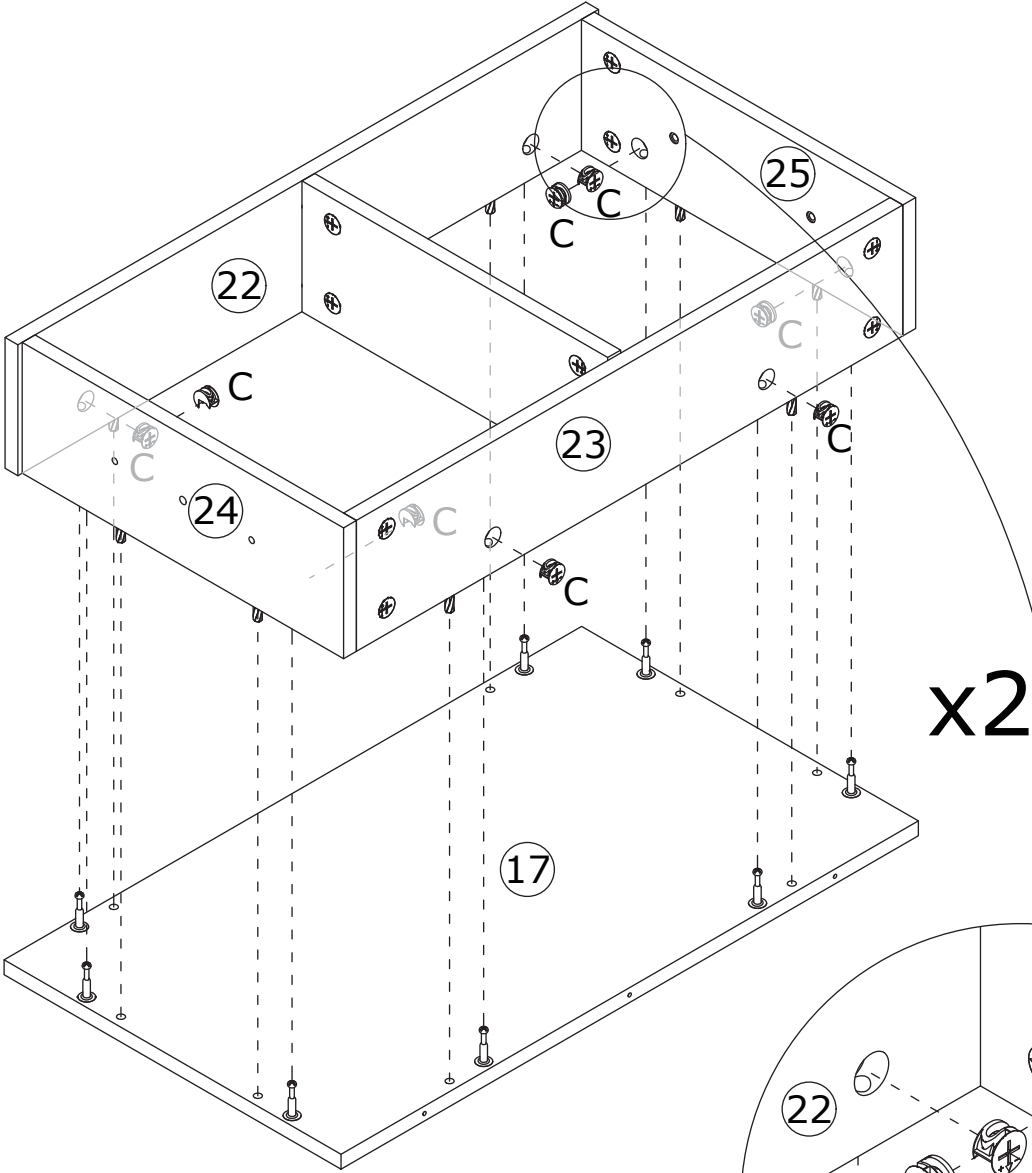


18

C x 16
CRB1595A

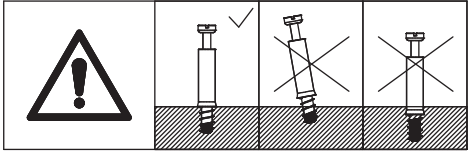
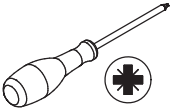


Connect panels 22, 23, 24, and 25 to panel 17, then tighten by turning eccentric wheel (C) clockwise.

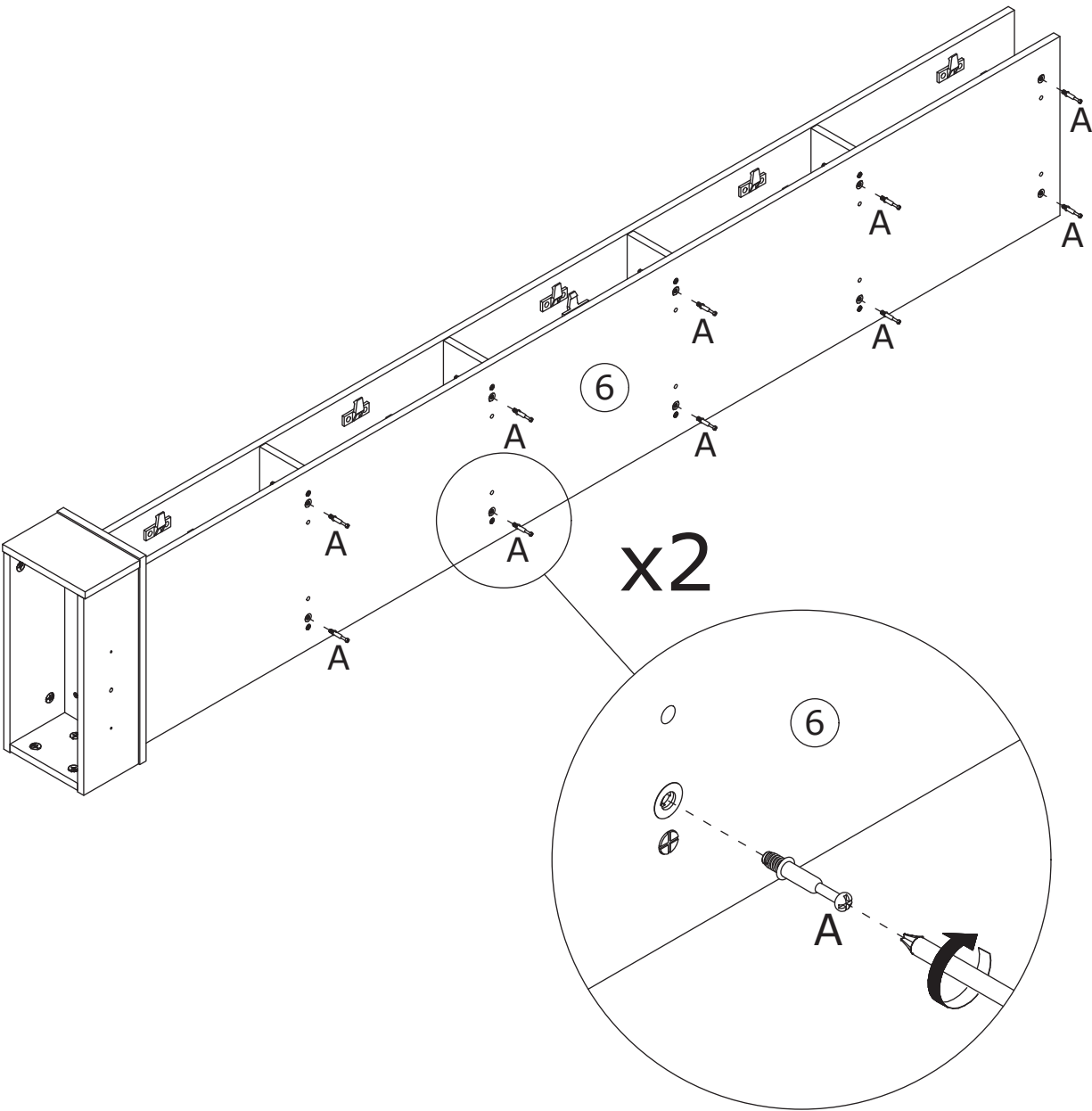


19





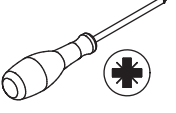

A x 20
CRA0635B



Screw the self-tapping rods (A) onto panel 6.

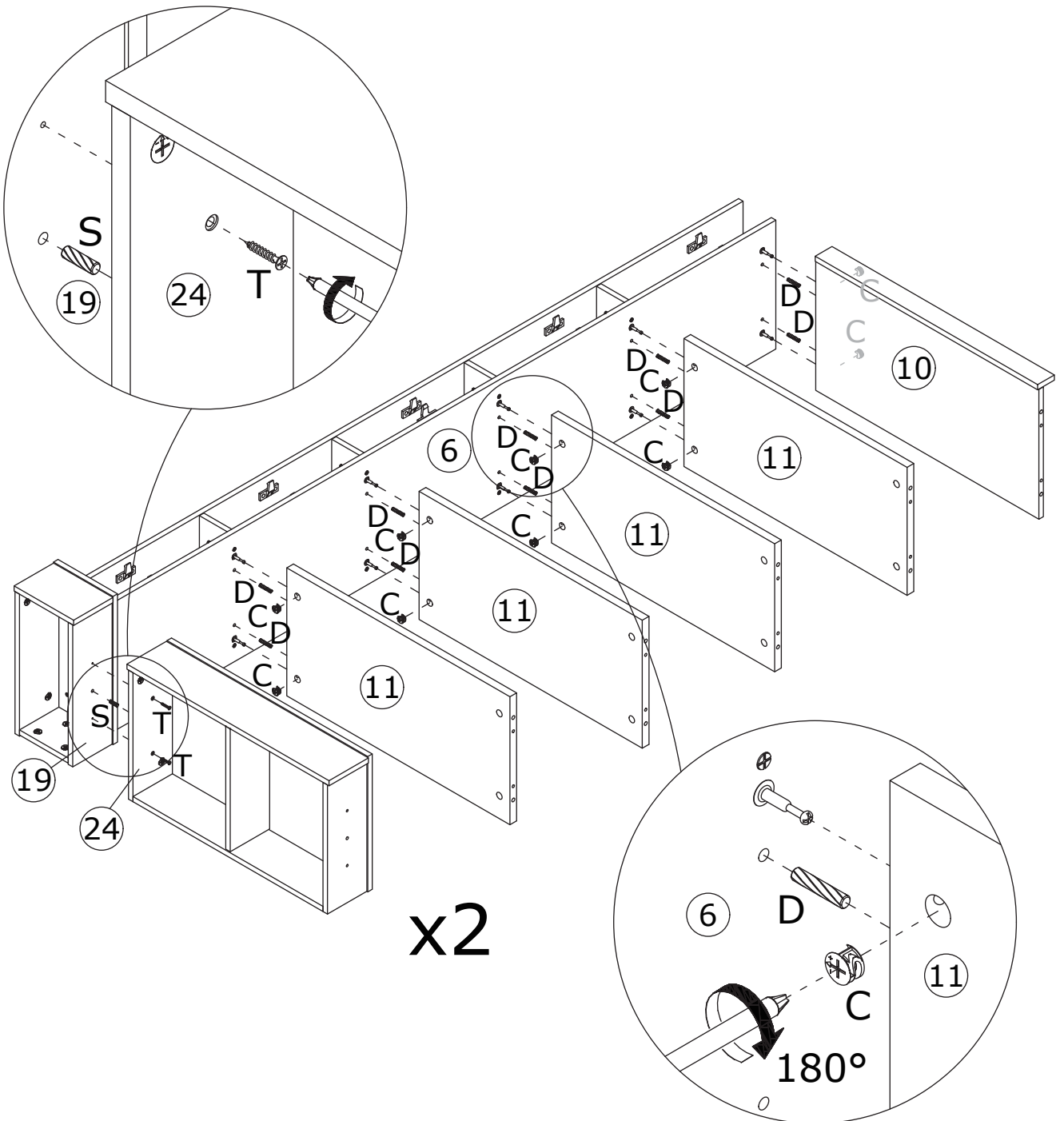
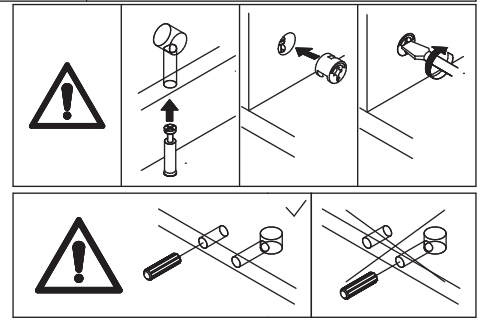


20

C x 20  CRB1595A	D x 20  CRF0630A	S x 2  CRF0620A	T x 4  CRD3520A	 
---	---	--	---	--

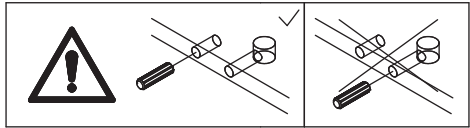
Connect panels 10 and 11 to panel 6 using dowels (D), then tighten by turning eccentric wheel (C) clockwise.

Connect panel 24 to panel 19 using dowels (S), then secure them with screws (T).

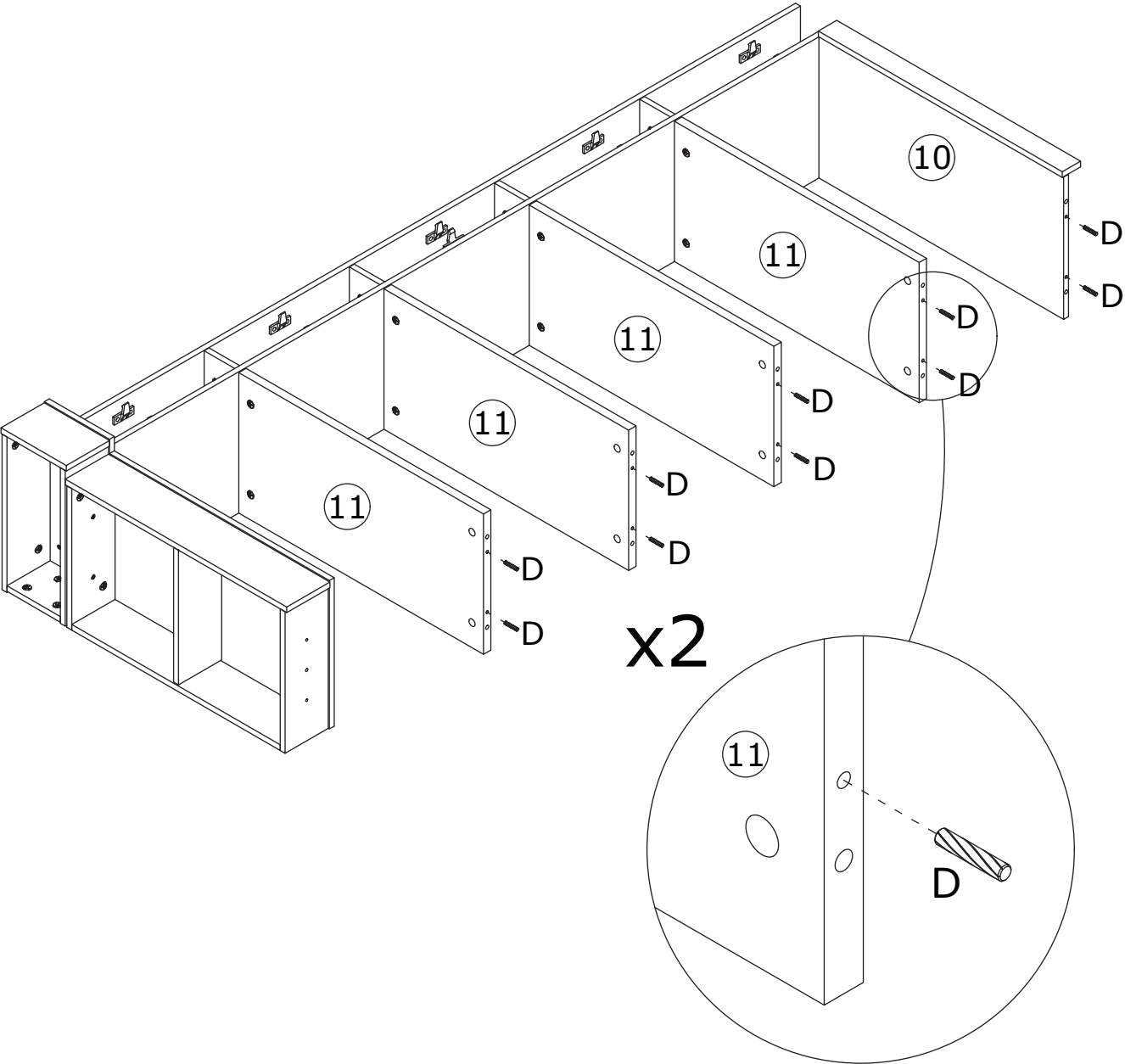


21

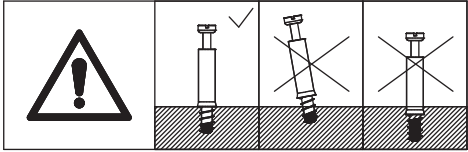
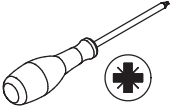
D x 20
CRF0630A



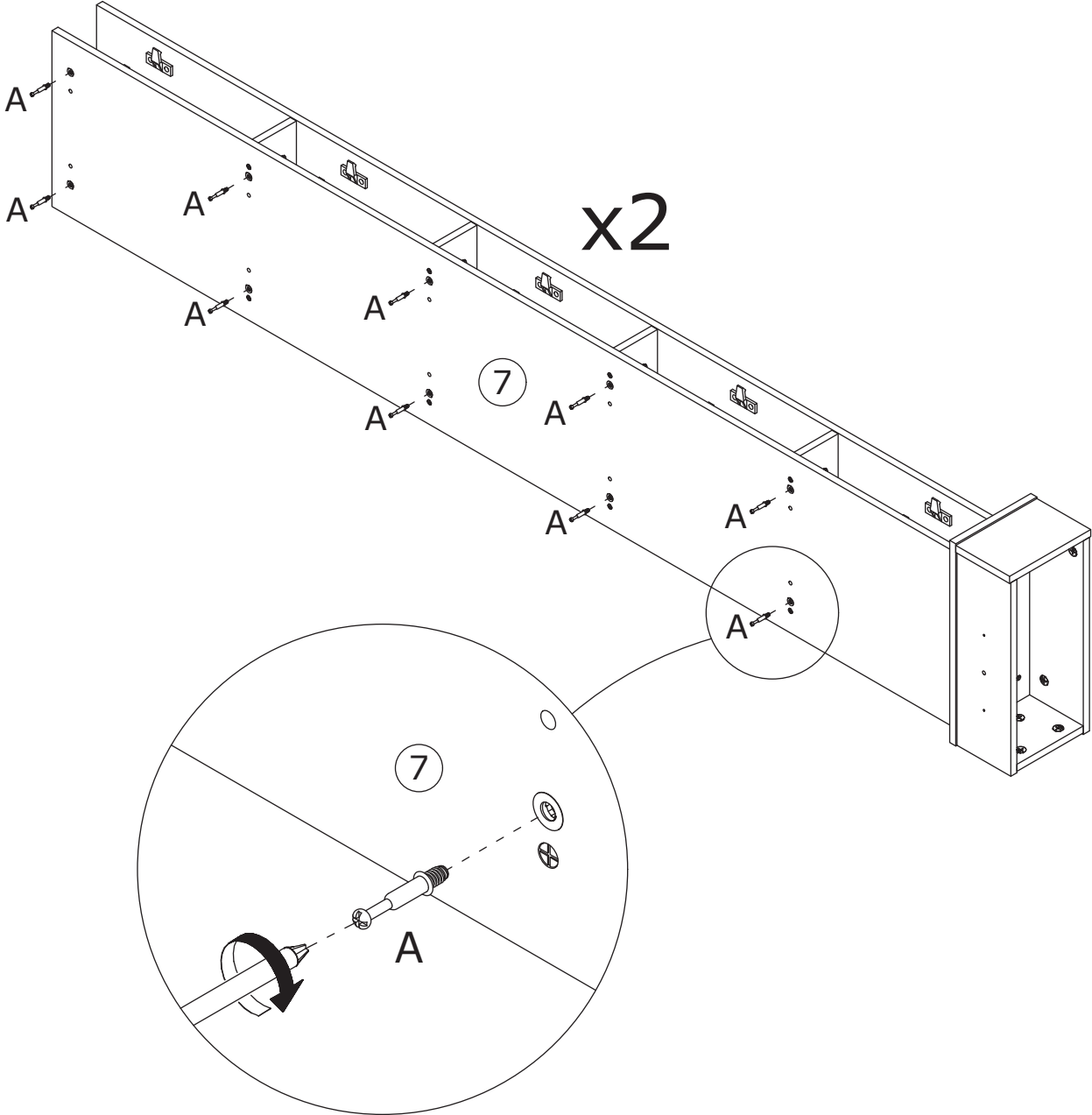
Install dowels (D) into panels 10 and 11.






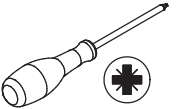
22



Screw self-tapping rods (A) into panel 7.

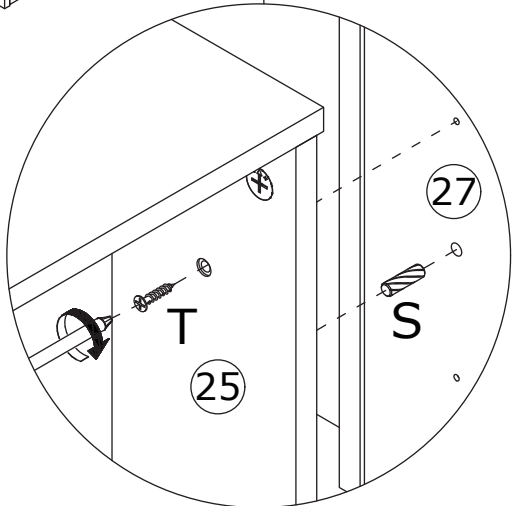
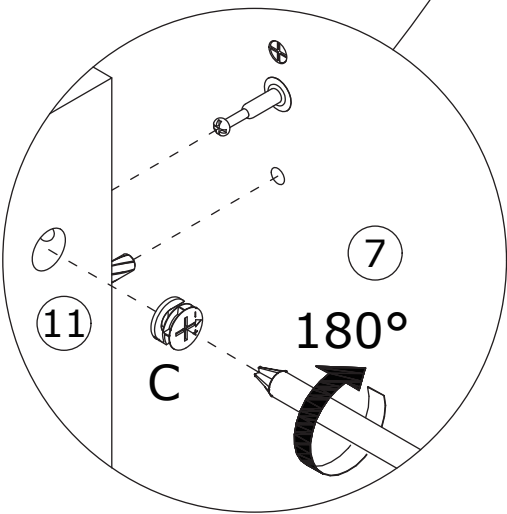
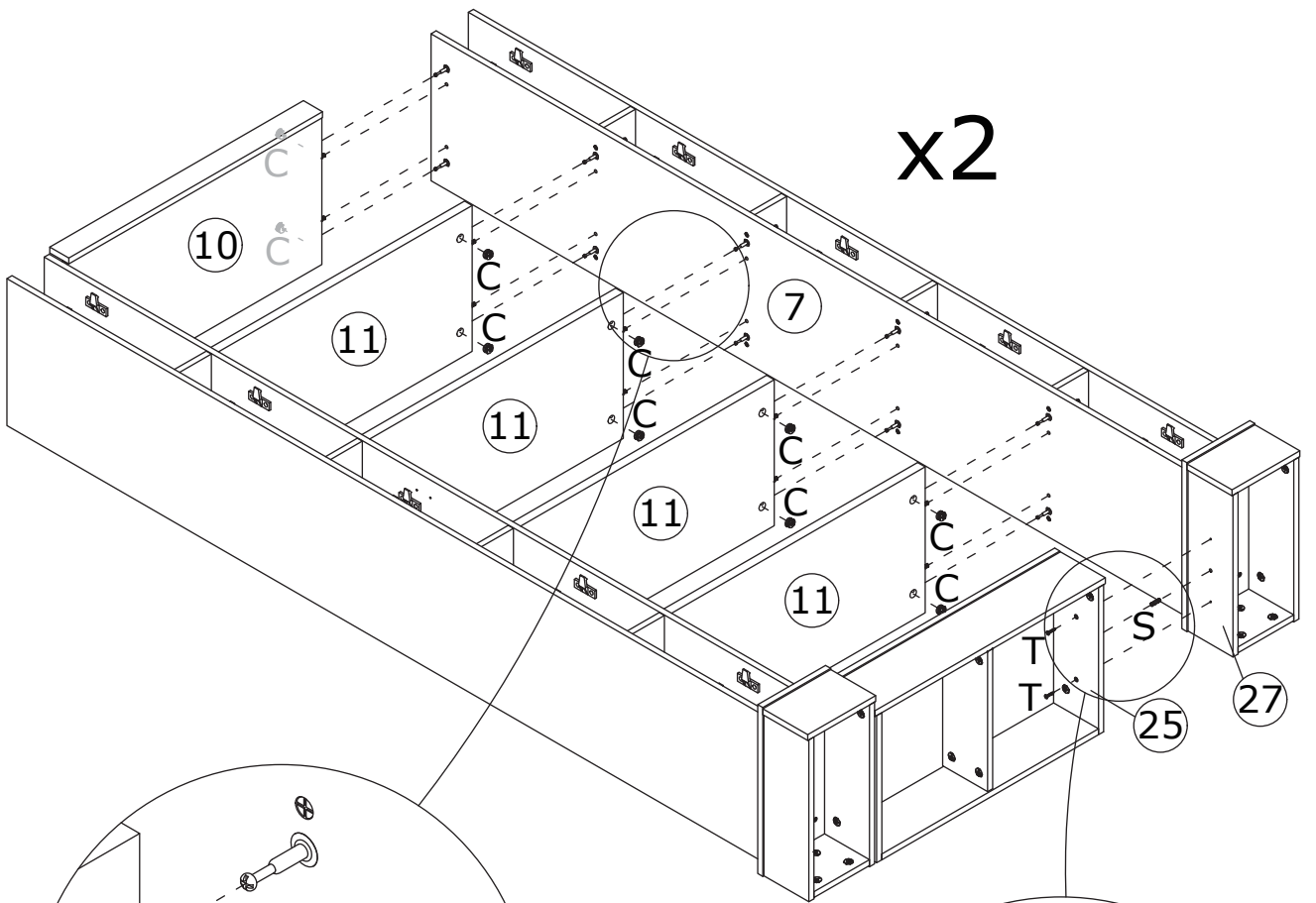
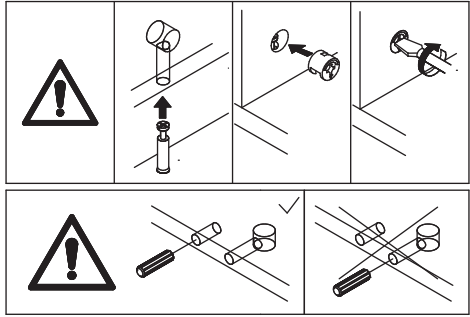


23

C x 20  CRB1595A	S x 2  CRF0620A	T x 4  CRD3520A	
---	--	--	---

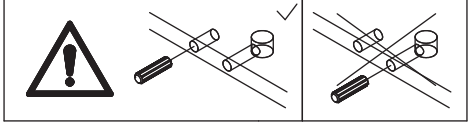
Connect panels 10 and 11 to panel 7, then tighten by turning eccentric wheel (C) clockwise.

Connect panel 25 to panel 27 using dowel (S), then secure them with screws (T).

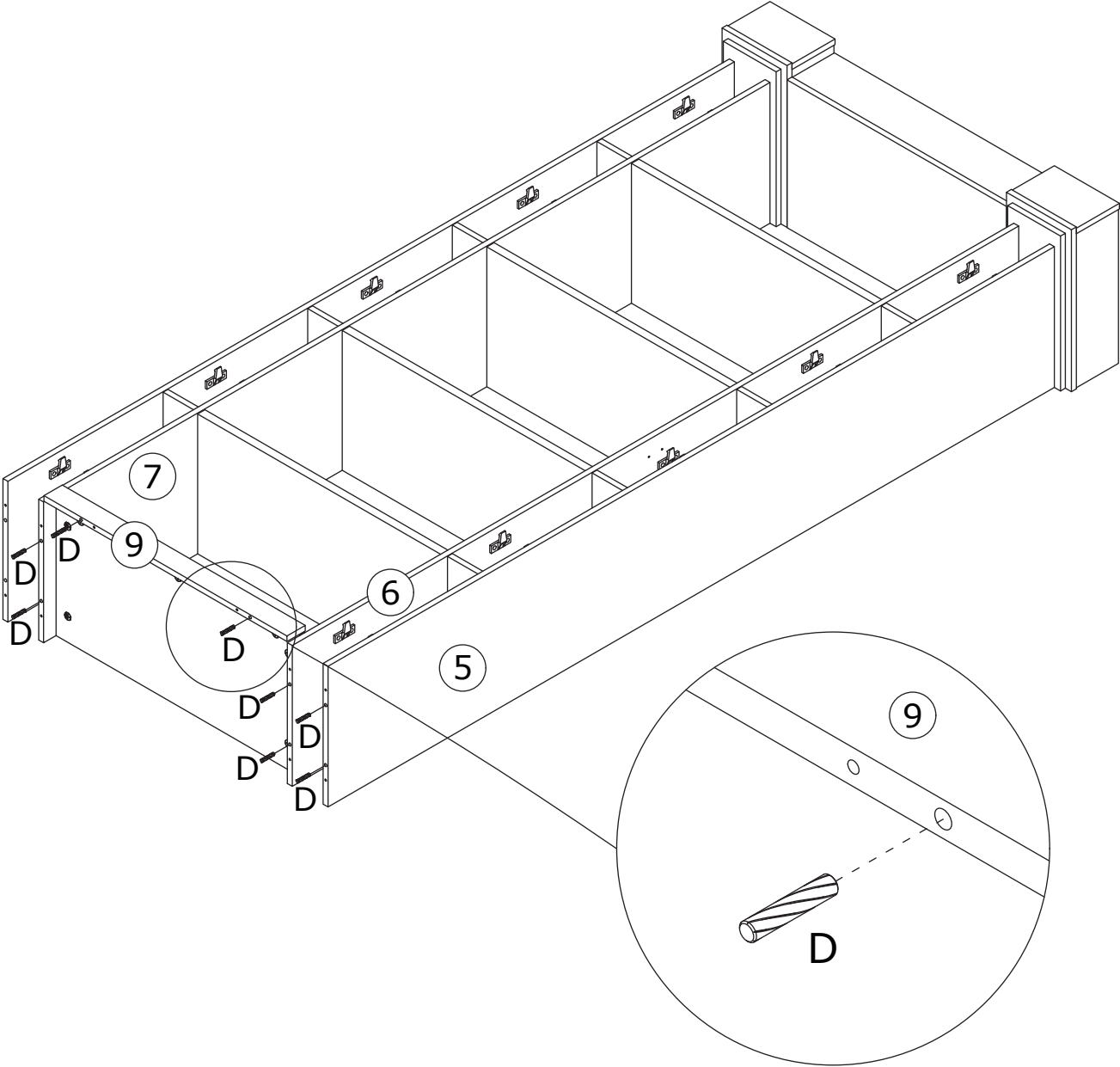


24

D x 8
CRF0630A



Install dowels (D) into panels 5, 6, 7, and 9.

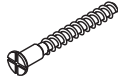


25

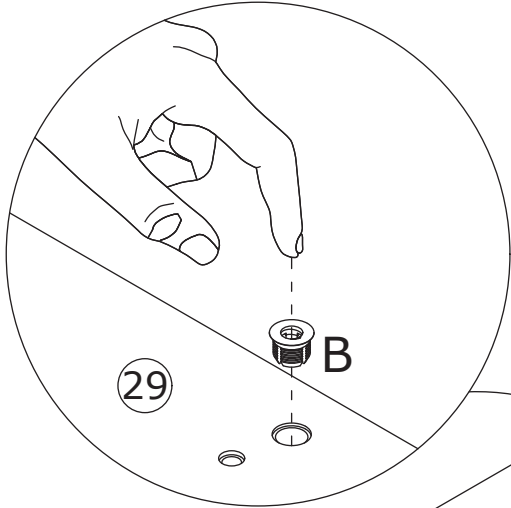
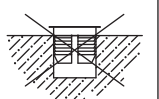
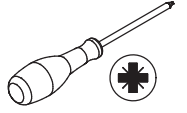
B x 1



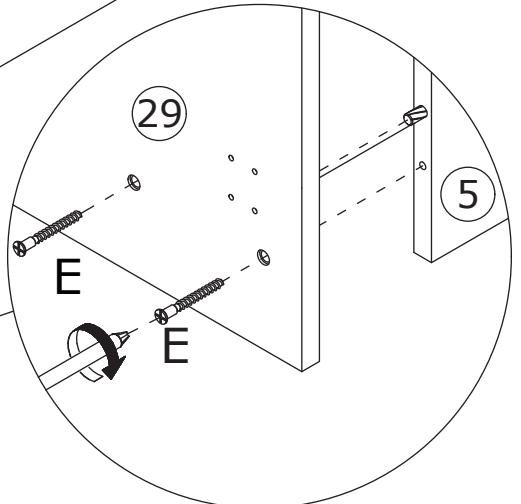
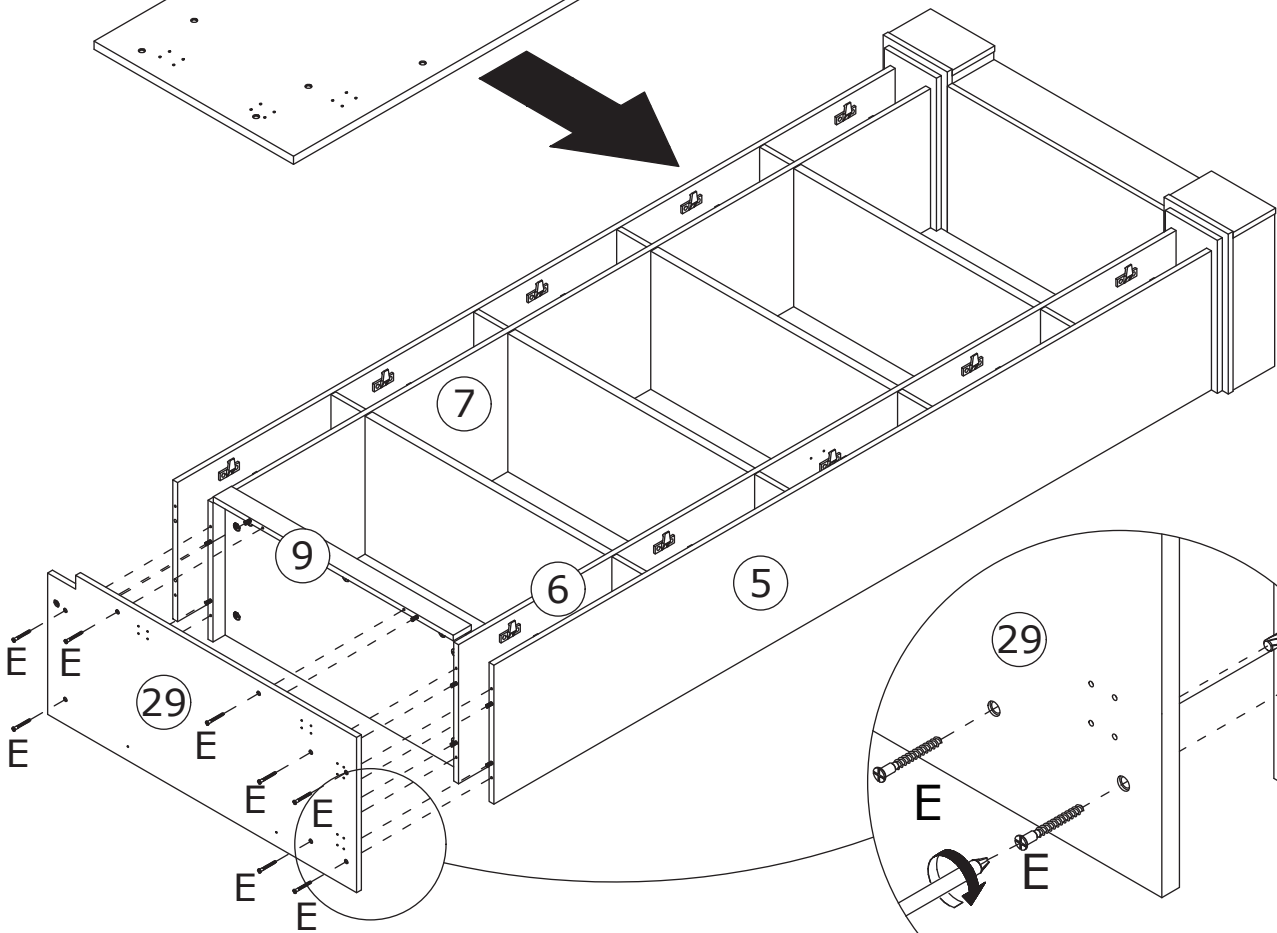
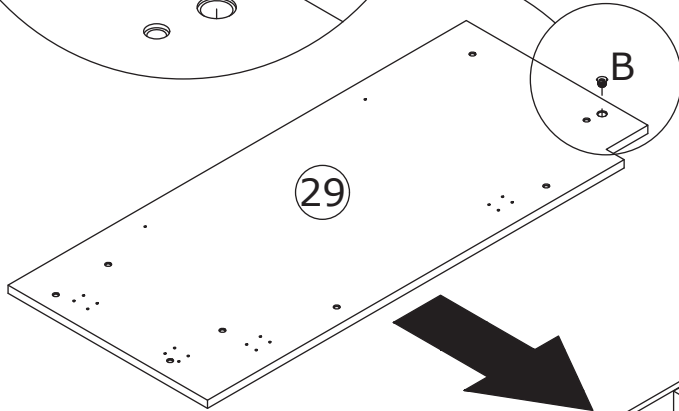
E x 8



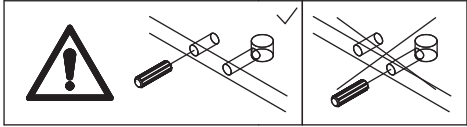
CRD0540A



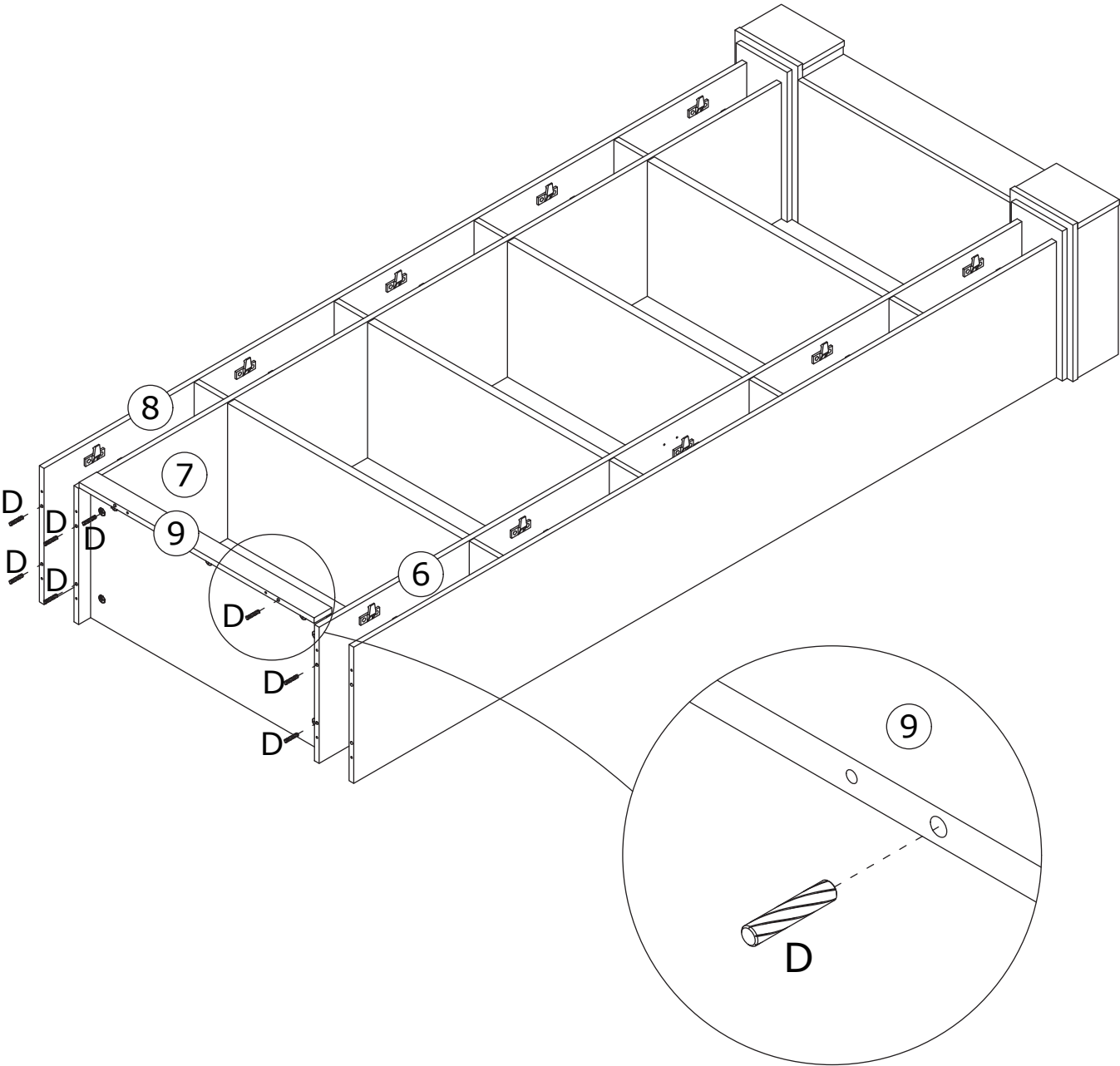
Install plugs (B) onto panel 29.
Connect panel 29 to the mounting unit
using screws (E).



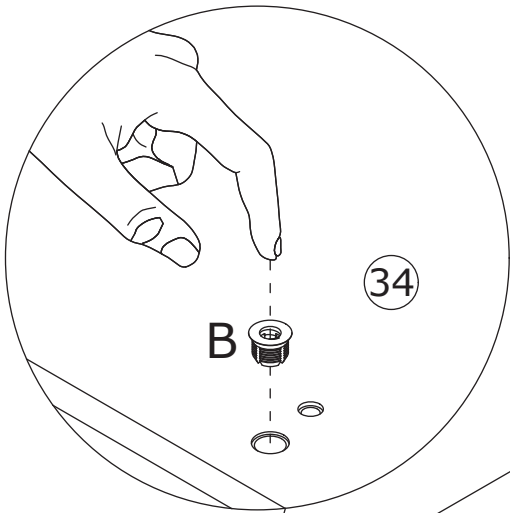
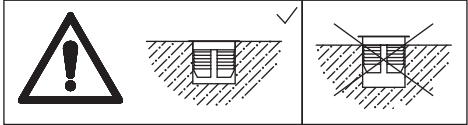
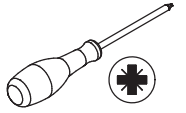
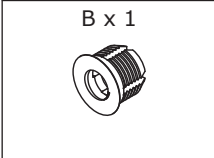
26



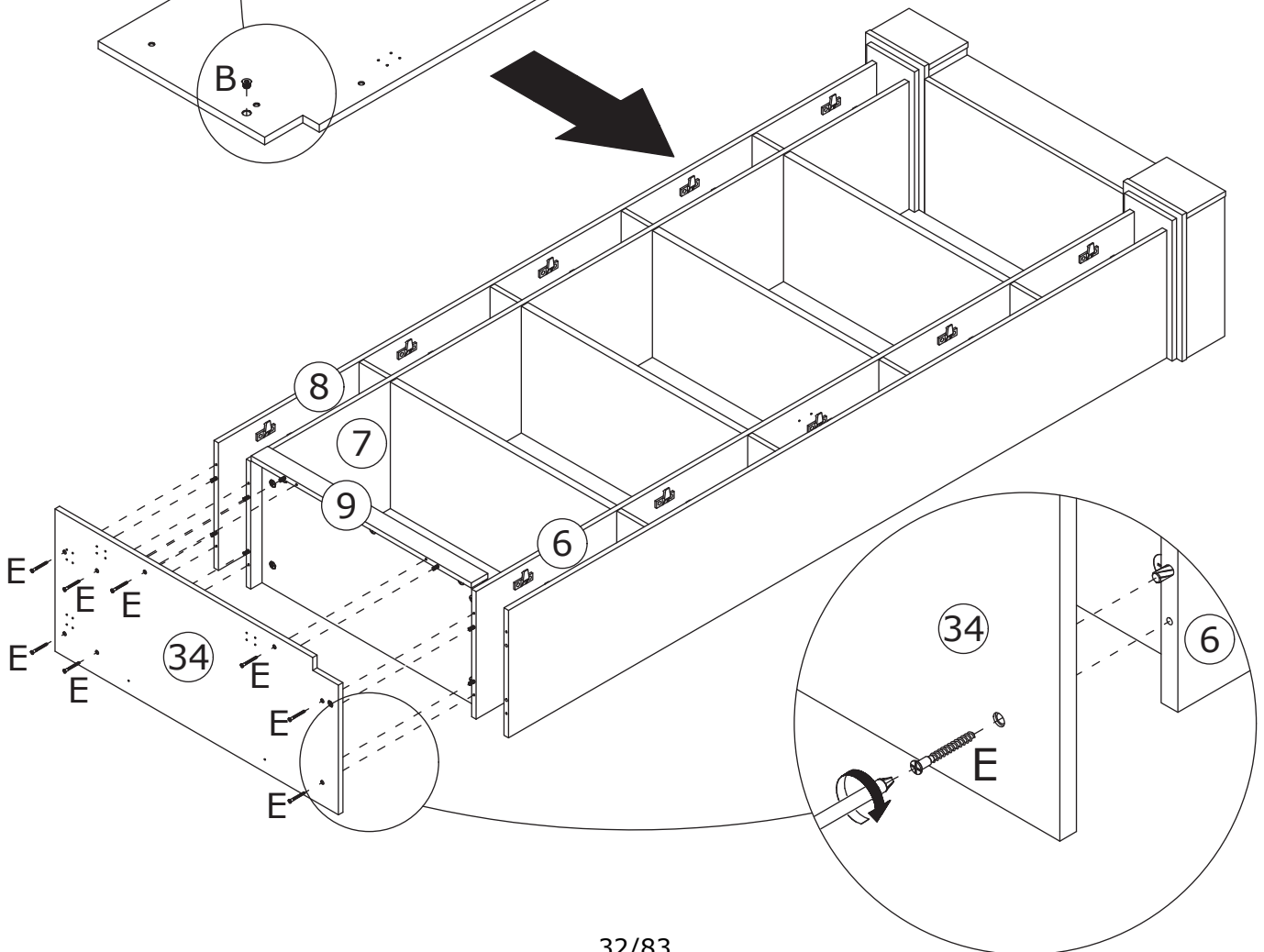
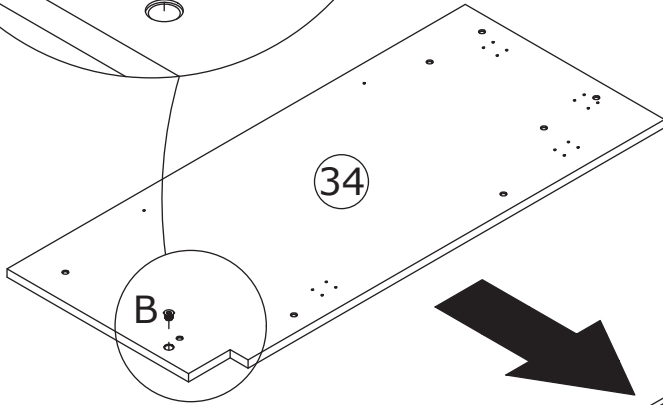
Install dowels (D) into panels 6, 7, 8, and 9.



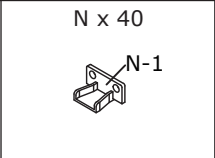
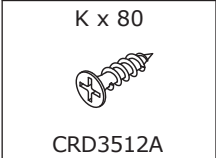
27



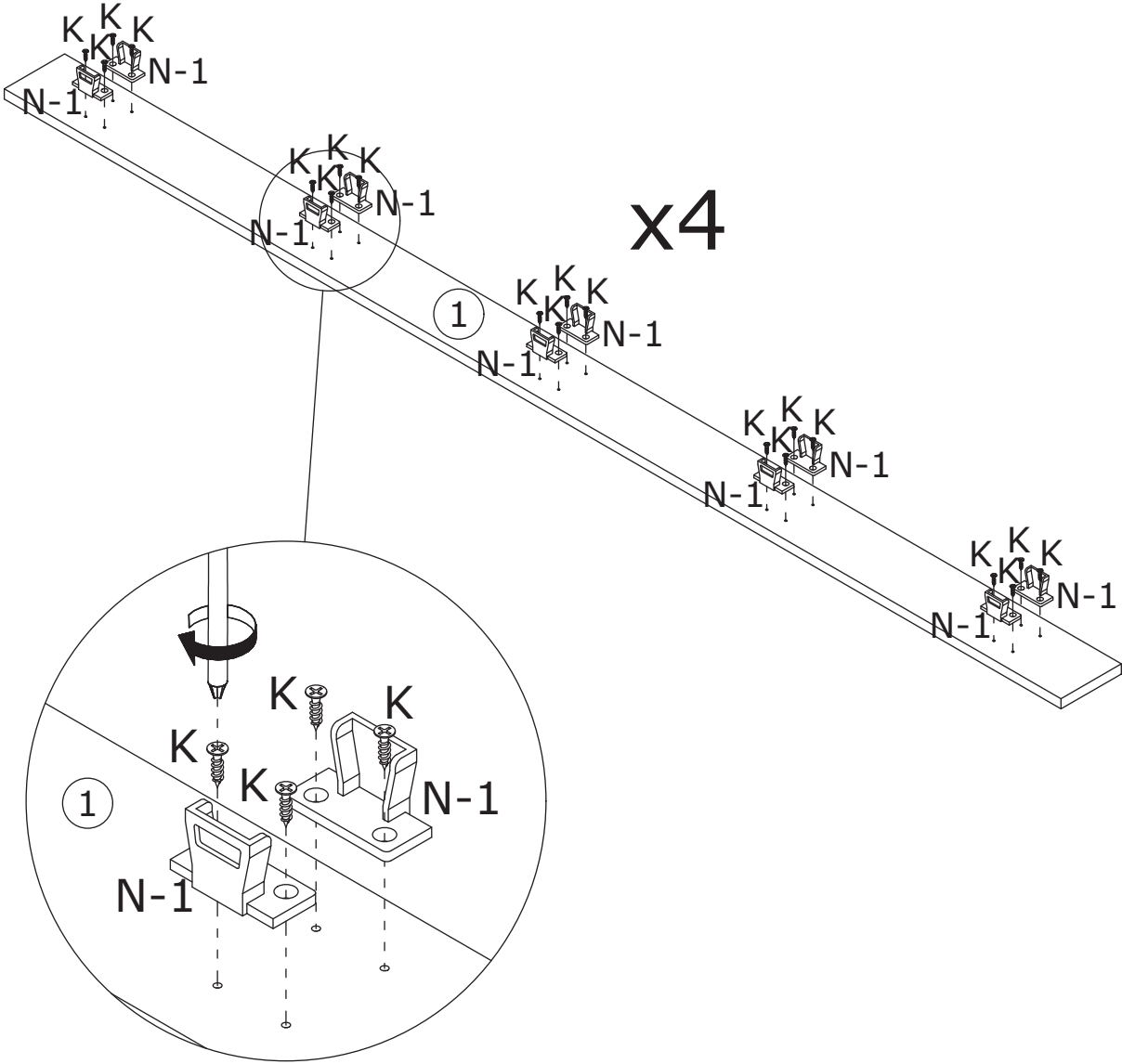
Install plugs (B) onto panel 34.
Attach panel 34 to the mounting unit
using screws (E).



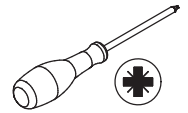
28



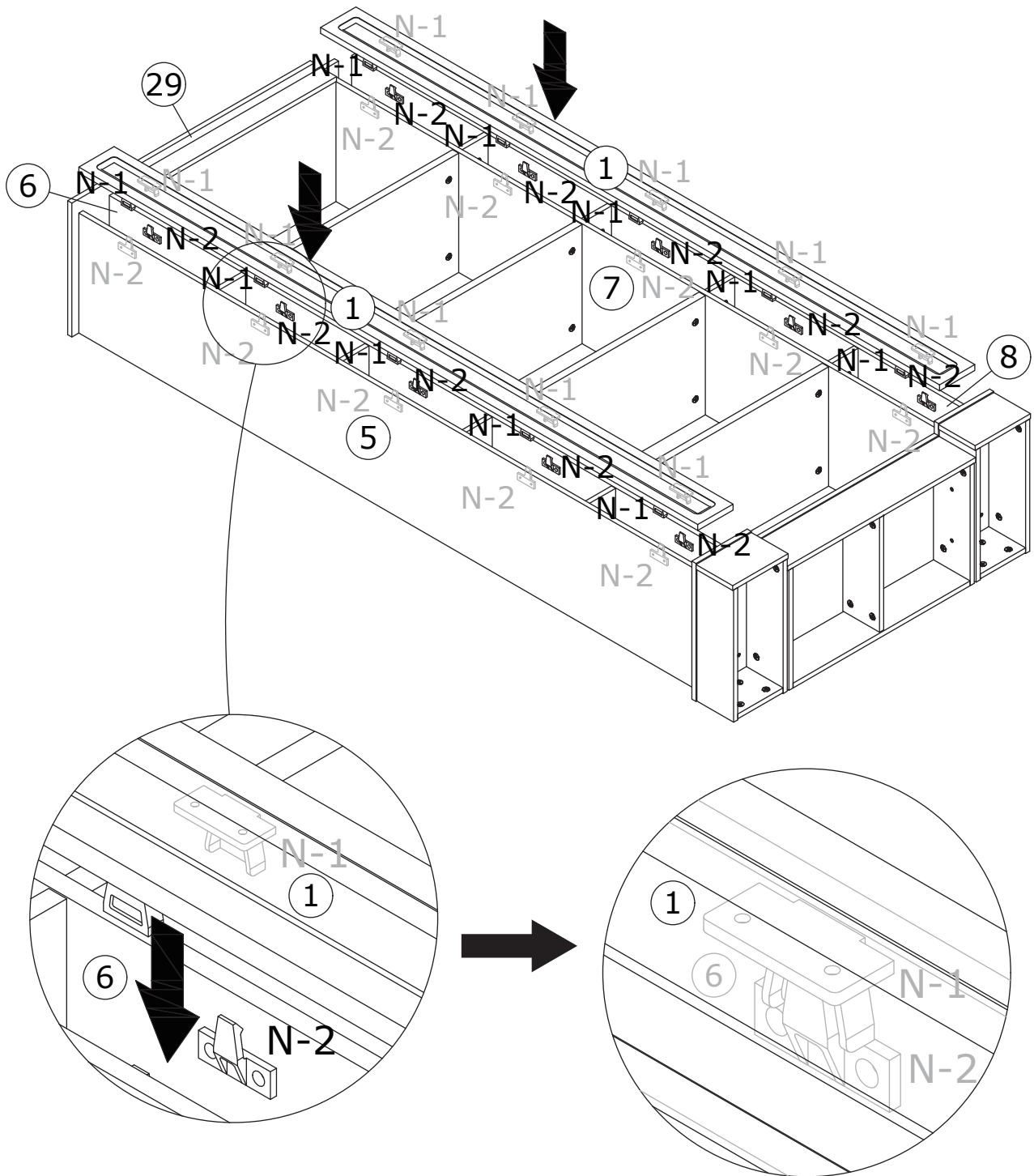
Use screws (K) to secure component (N-1) to panel 1.



29

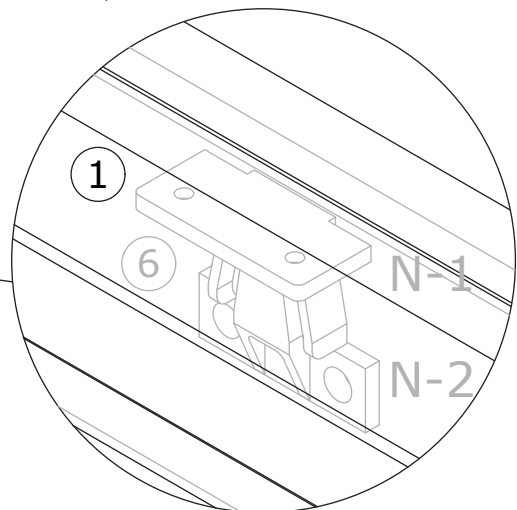
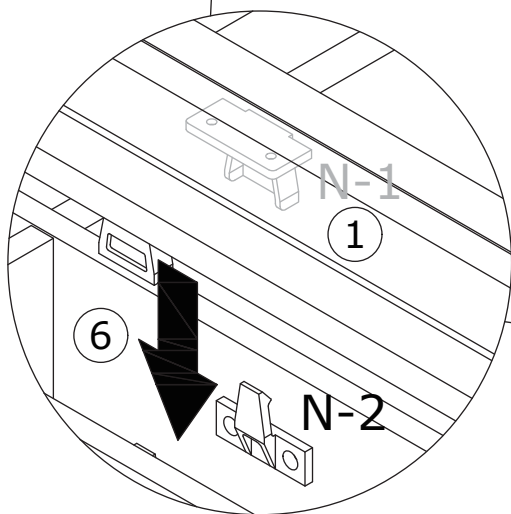
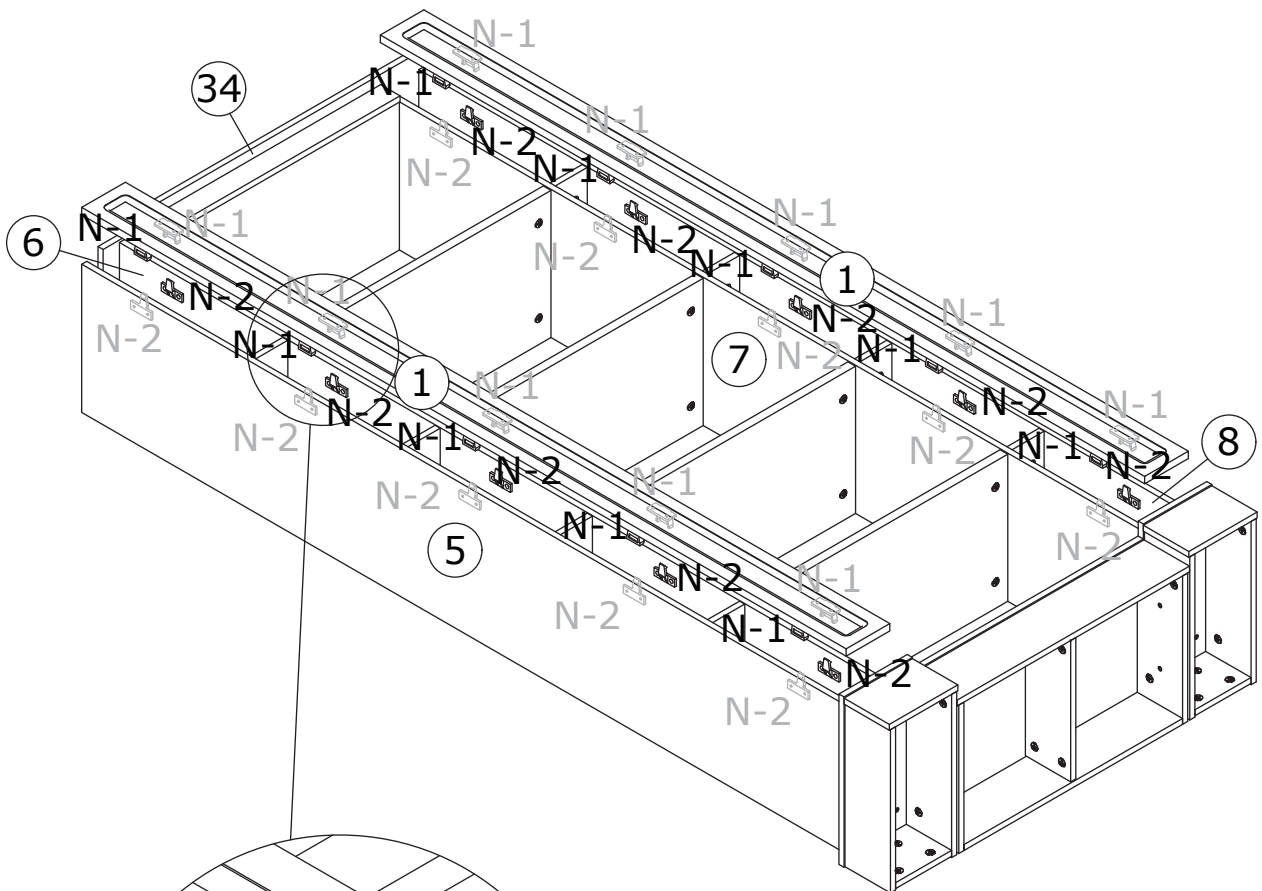


Connect panel 1 onto the main body, and secure component (N-1) to component (N-2).

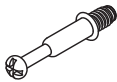


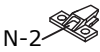
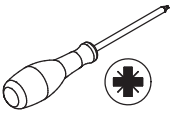


30

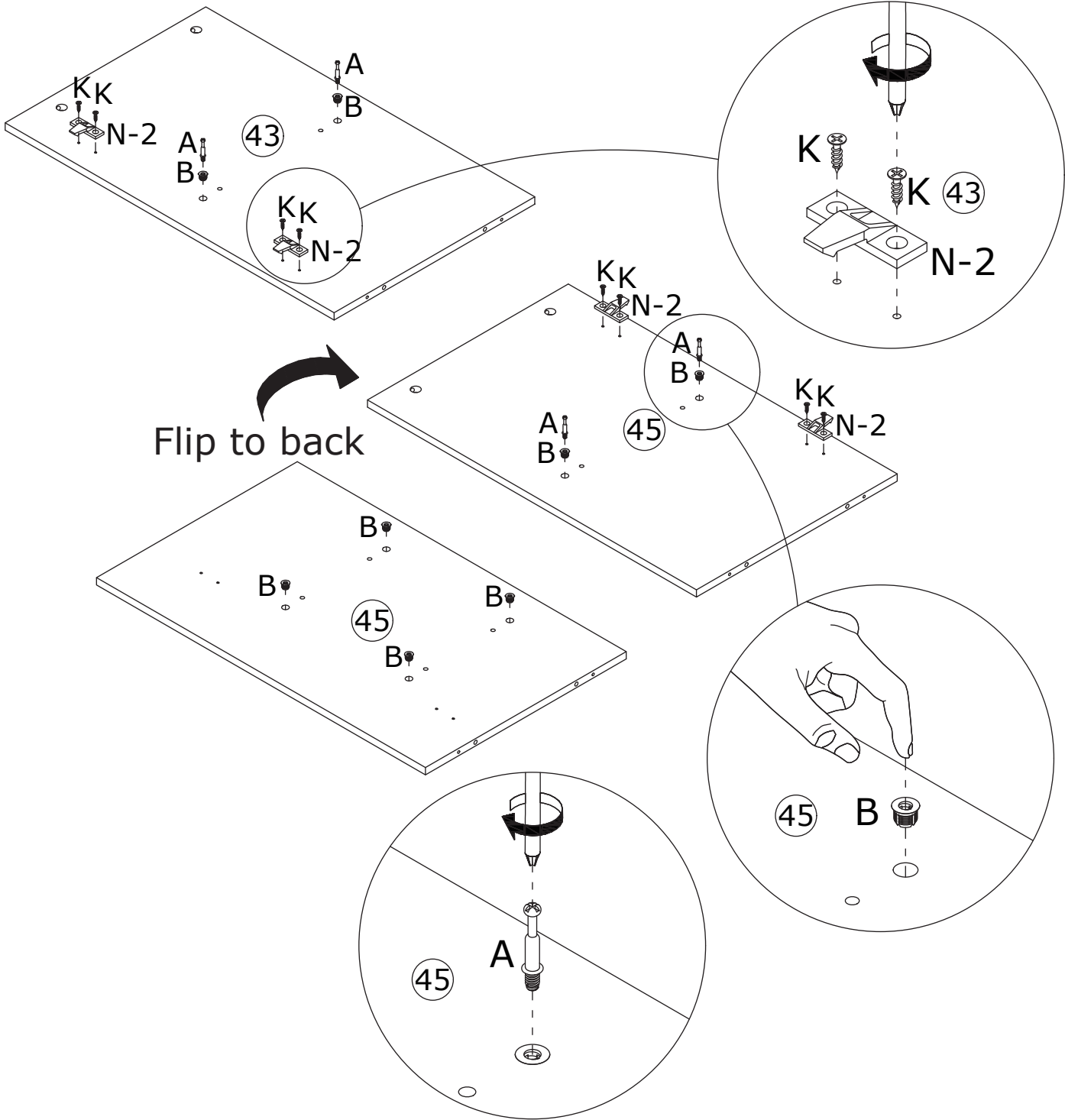
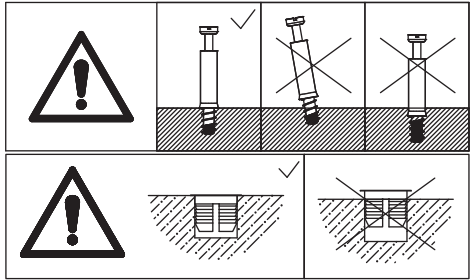
Connect panel 1 onto the main body, and secure component (N-1) to component (N-2).



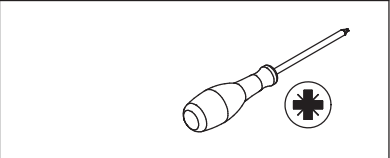
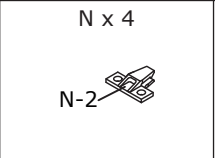
31

A x 4  CRA0635B	B x 8 	K x 8  CRD3512A	N x 4 	
--	--	--	---	---

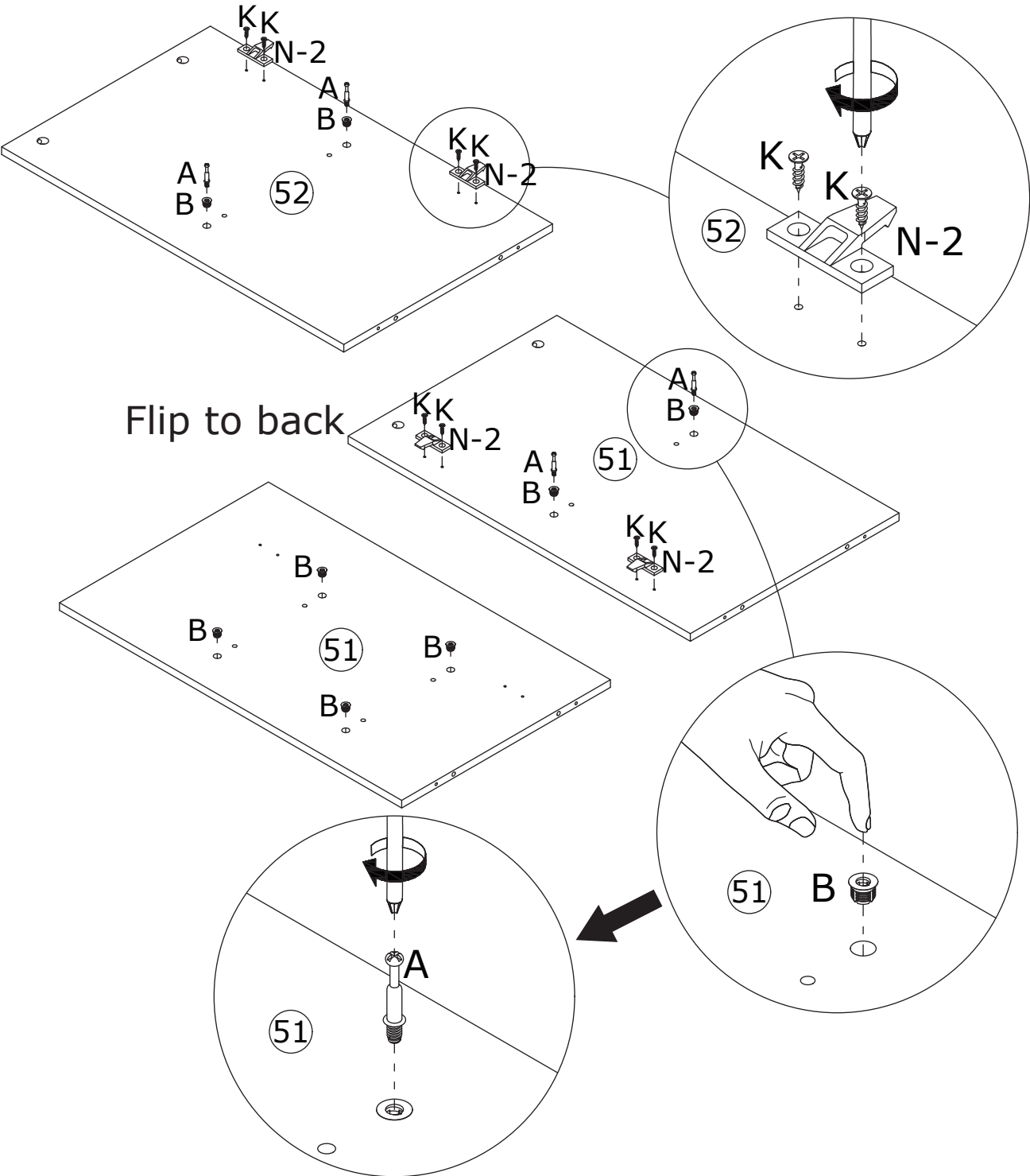
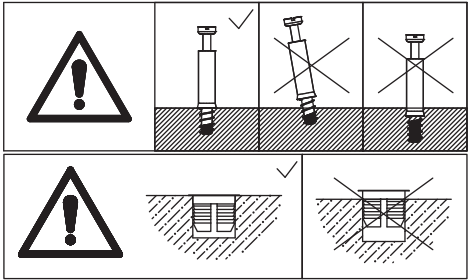
First install plugs (B) onto panels 43 and 45, then screw the self-tapping rods (A) onto. Use screws (K) to secure component (N-2) onto panels 43 and 45.



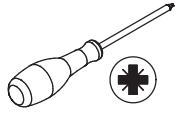
32



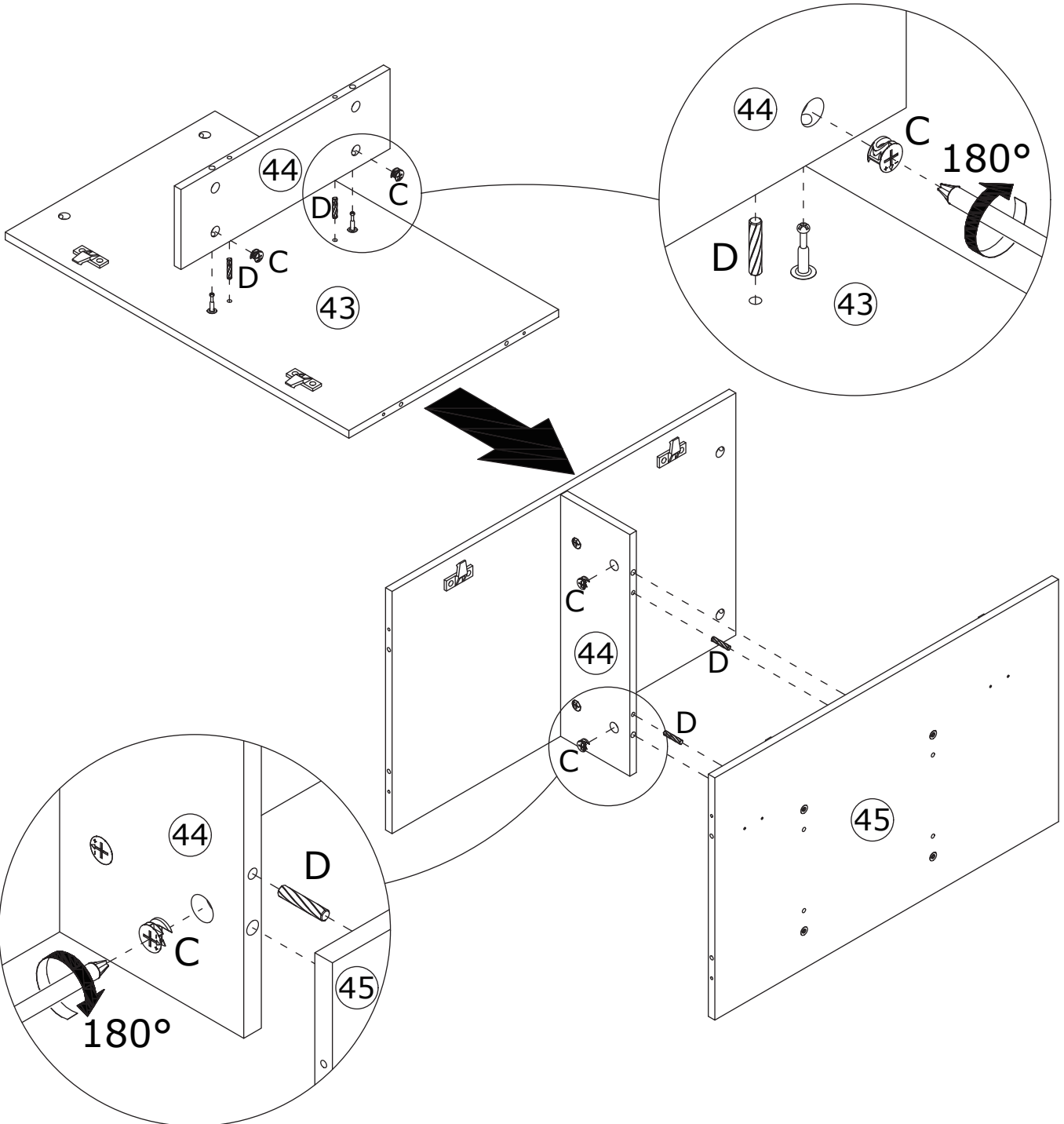
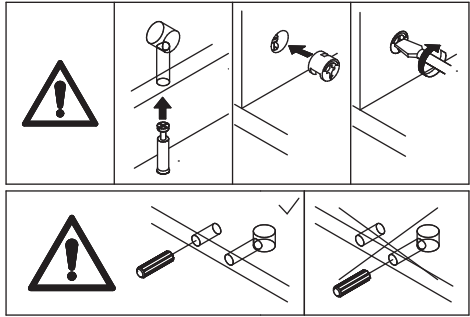
First install plugs (B) onto panels 51 and 52, then screw the self-tapping rods (A) onto. Use screws (K) to secure component (N-2) onto panels 51 and 52.



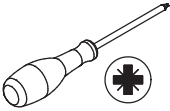
33



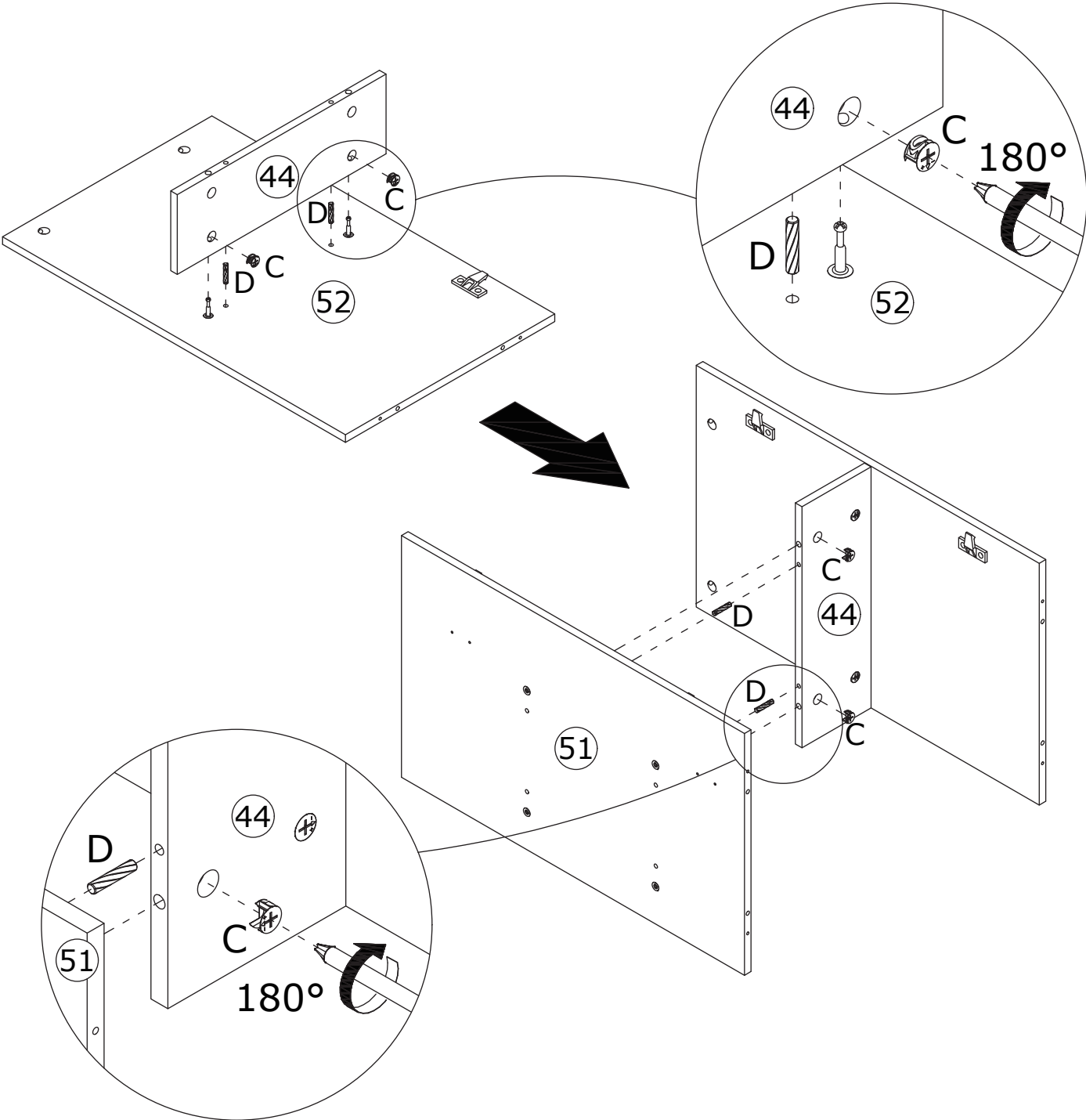
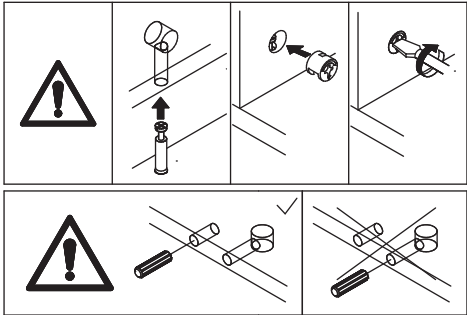
Connect panel 44 to panels 43 and 45 using dowels (D), then tighten by turning eccentric wheel (C) clockwise.



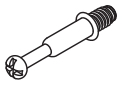

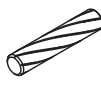

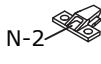
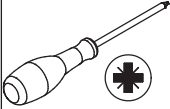
34



Connect panel 44 to panels 52 and 51 using dowels (D), then tighten by turning eccentric wheel (C) clockwise.

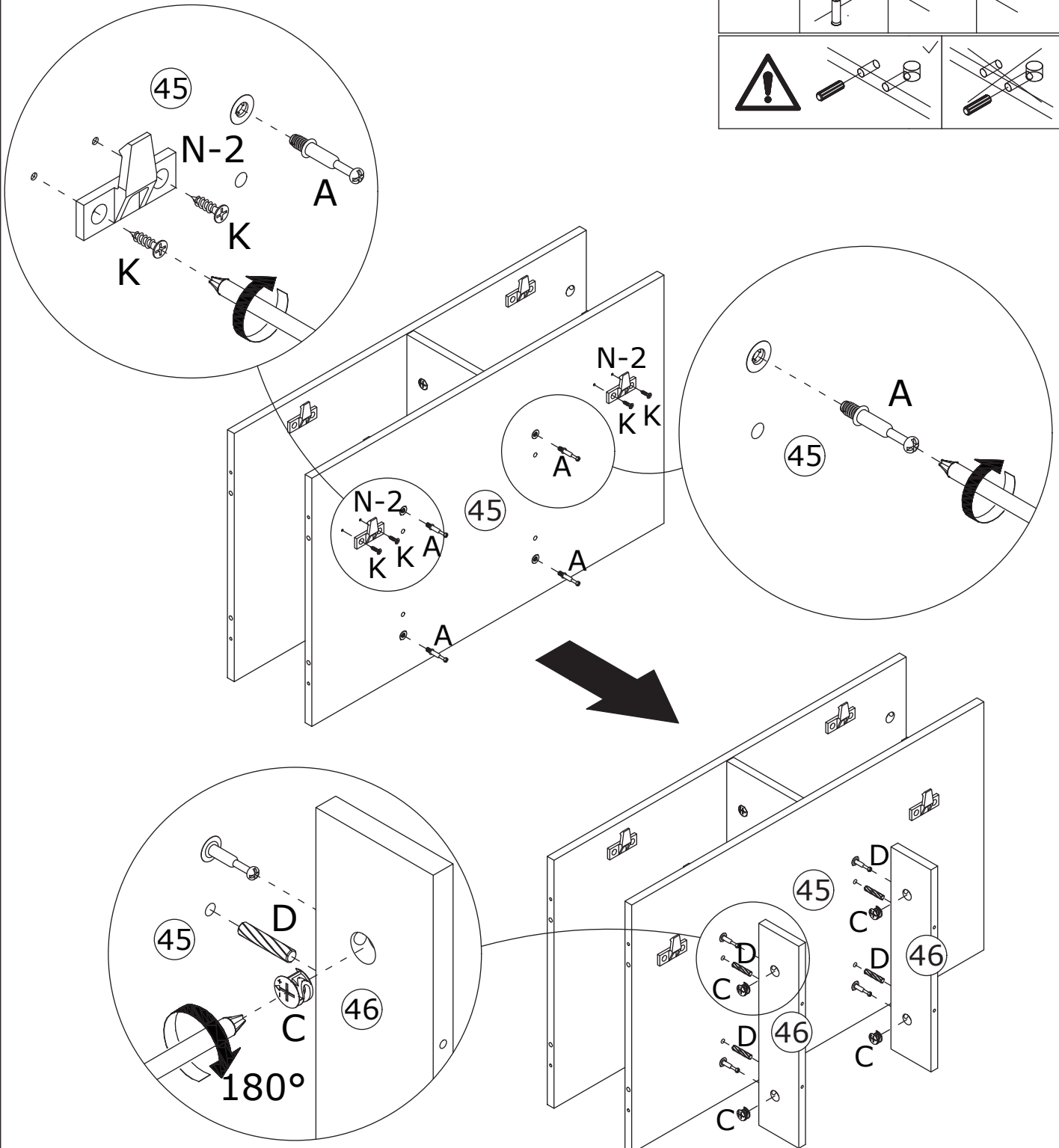
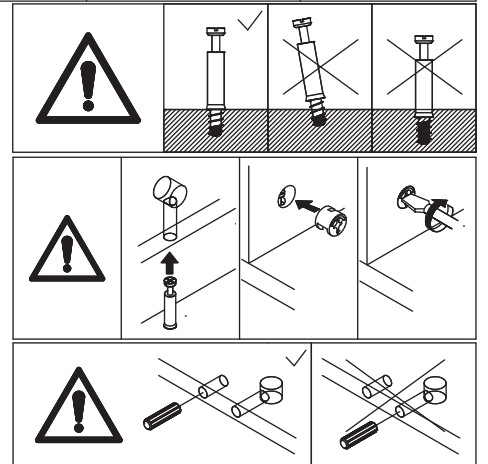


35

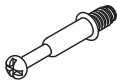

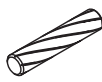

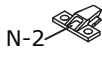
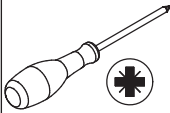
A x 4  CRA0635B	C x 4  CRB1595A	D x 4  CRF0630A	K x 4  CRD3512A	N x 2  N-2	
--	--	--	---	---	---

Screw self-tapping rods (A) onto panel 45.
Secure component (N-2) to panel 45 using
screws (K).

Connect panel 46 to panel 45 using dowels (D),
then tighten by turning eccentric wheel (C)
clockwise.

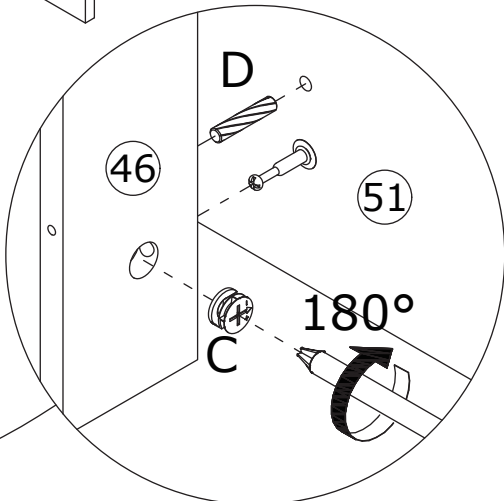
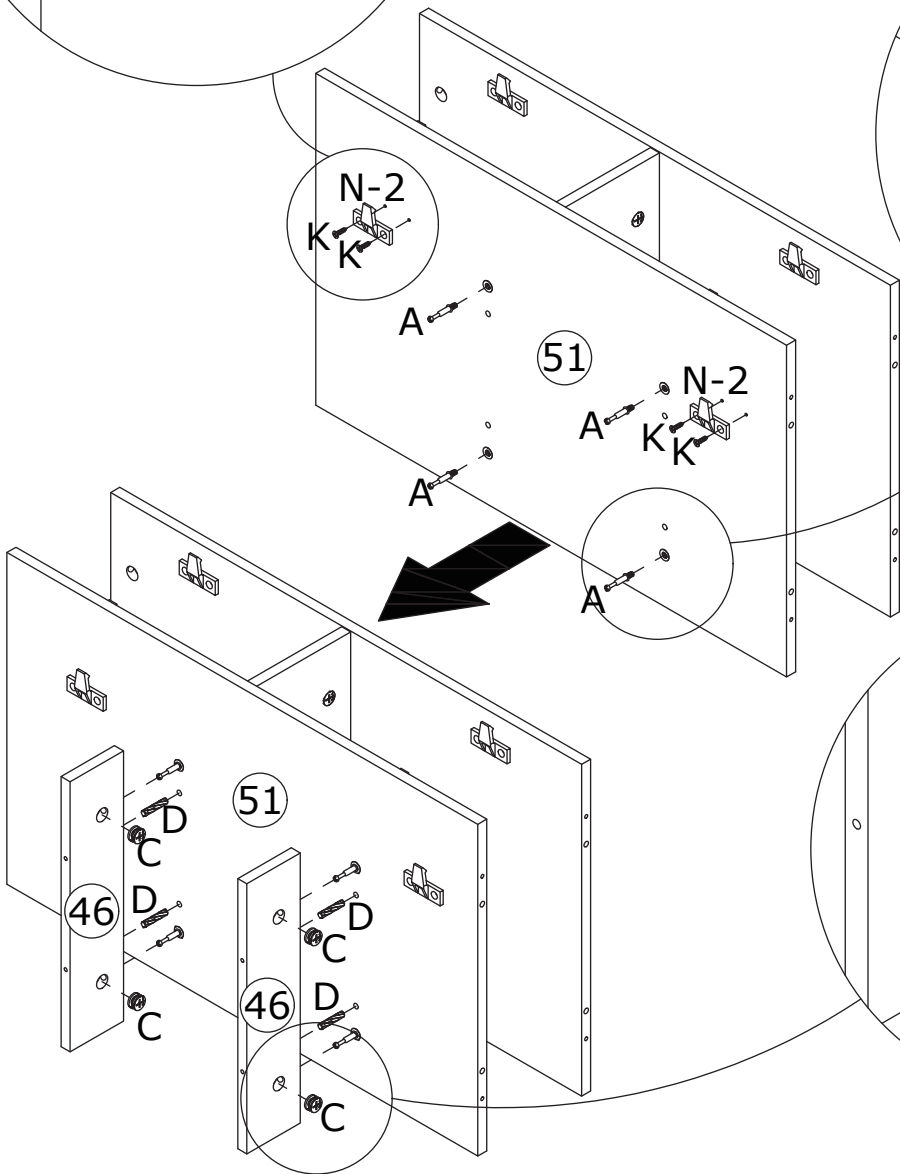
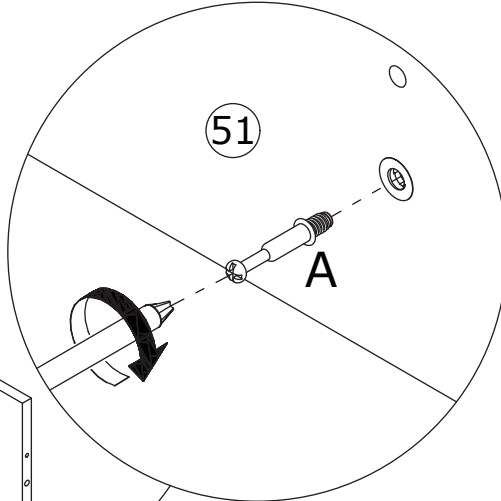
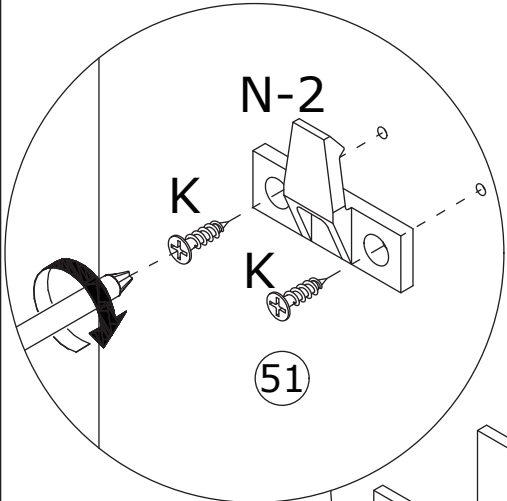
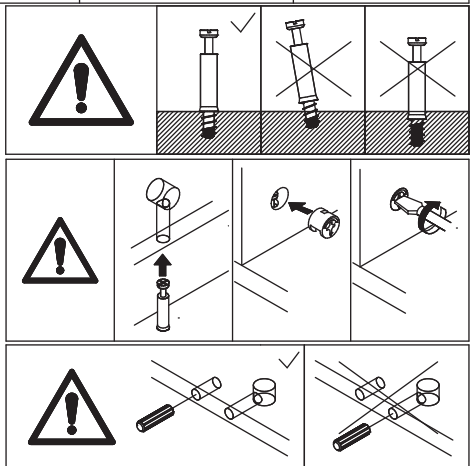


36

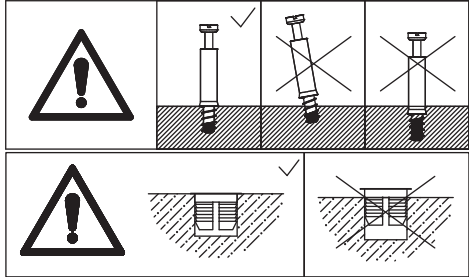
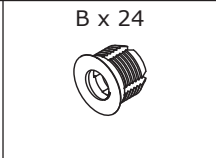
A x 4  CRA0635B	C x 4  CRB1595A	D x 4  CRF0630A	K x 4  CRD3512A	N x 2  N-2	
--	--	--	---	---	---

Screw self-tapping rods (A) onto panel 51.
Secure component (N-2) to panel 51 using
screws (K).

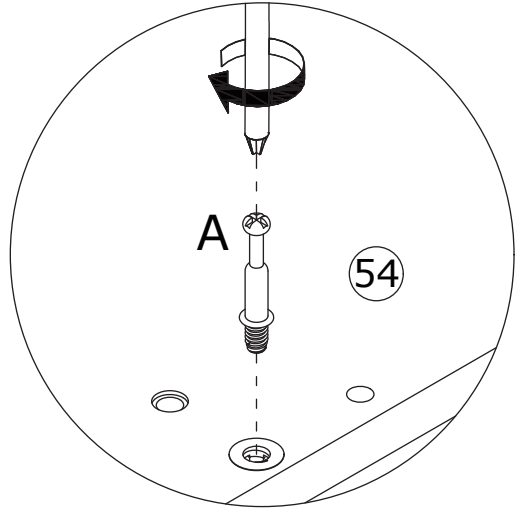
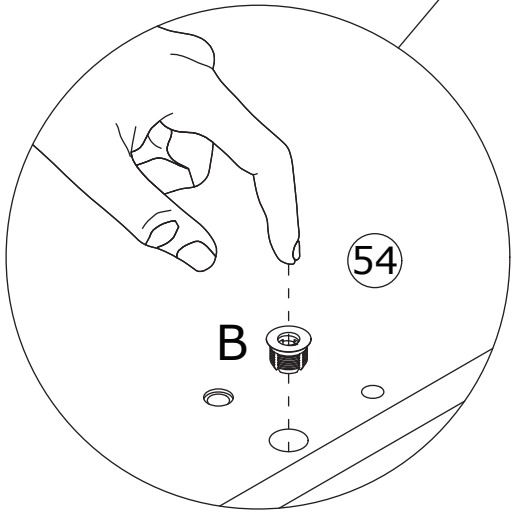
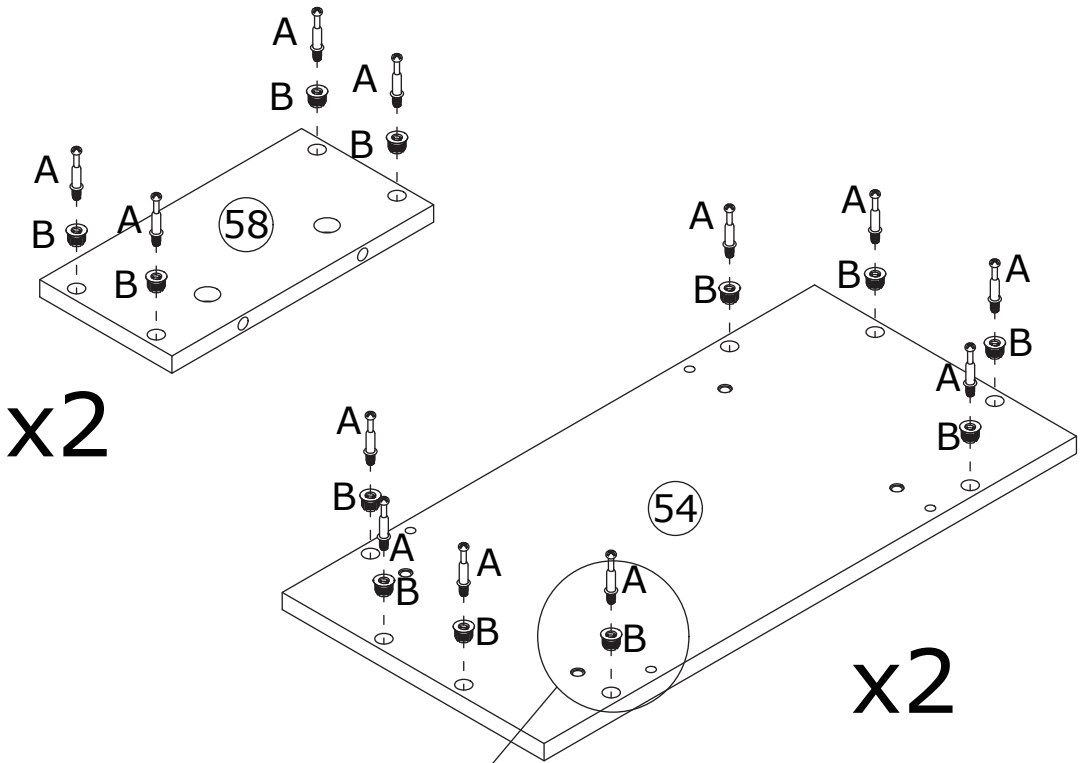
Connect panel 46 to panel 51 using dowels (D),
then tighten by turning eccentric wheel (C)
clockwise.



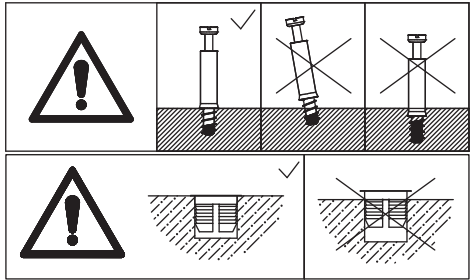
37



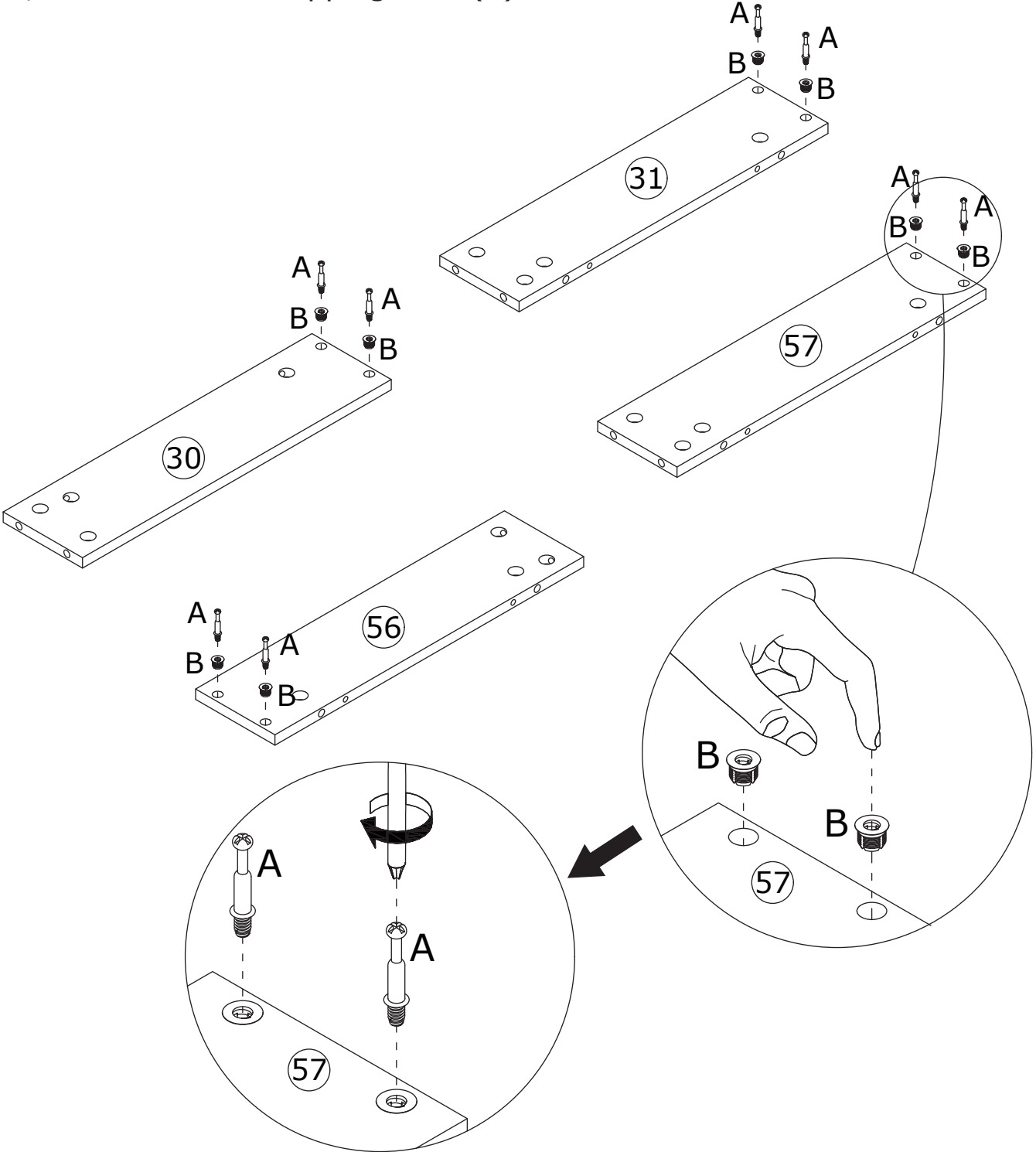
First install plugs (B) onto panels 54 and 58, then screw self-tapping rods (A) onto.



38

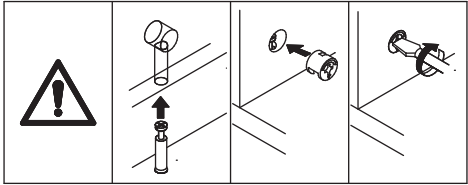
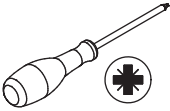


First install plugs (B) onto panels 30, 31, 56, and 57, then screw self-tapping rods (A) onto.



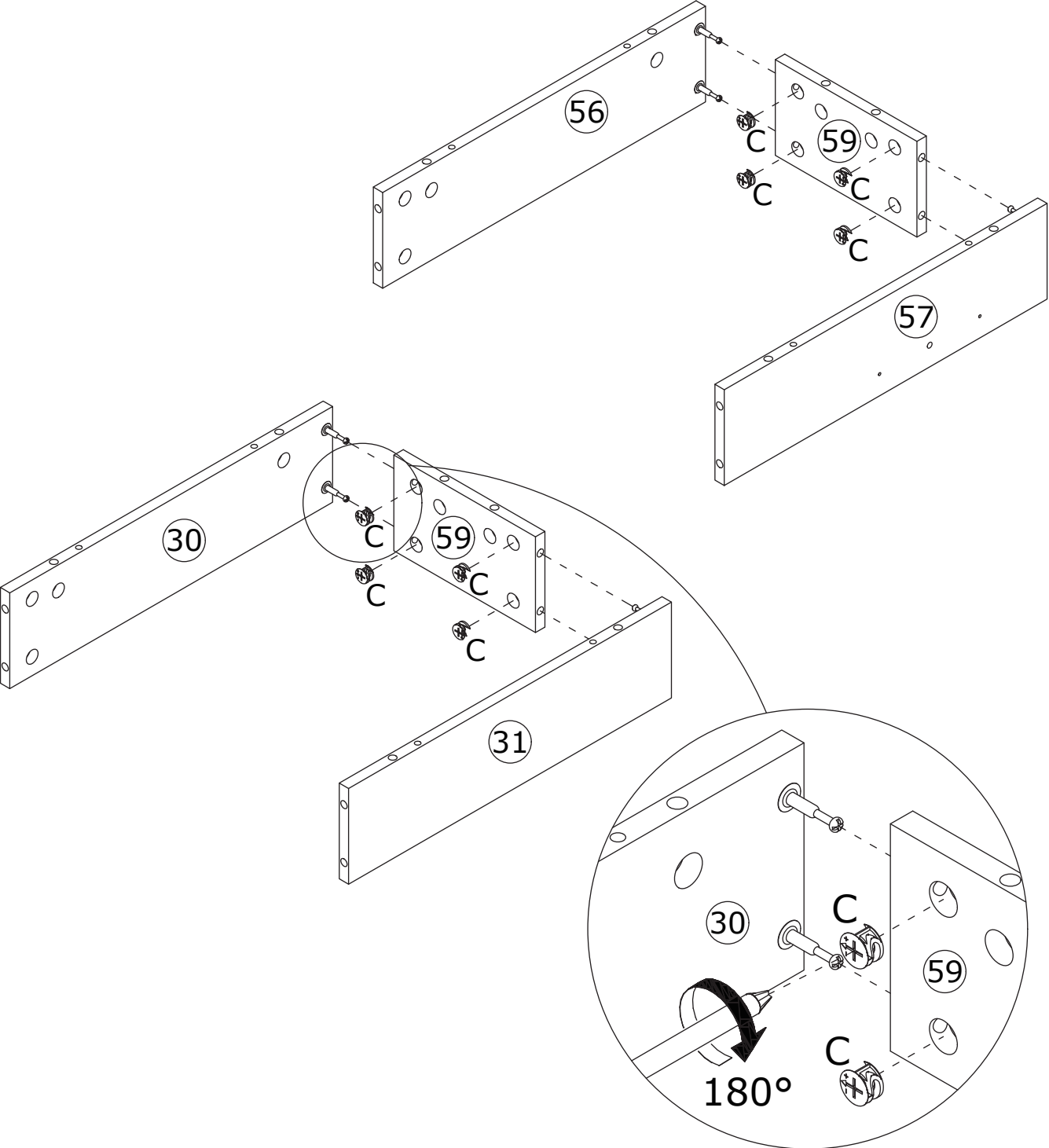
39

C x 8
CRB1595A

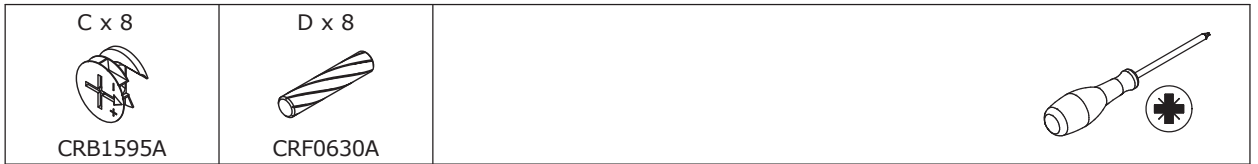


Connect panels 30 and 31 to panel 59, then tighten by turning eccentric wheel (C) clockwise.

Connect panels 56 and 57 to panel 59, then tighten by turning eccentric wheel (C) clockwise.



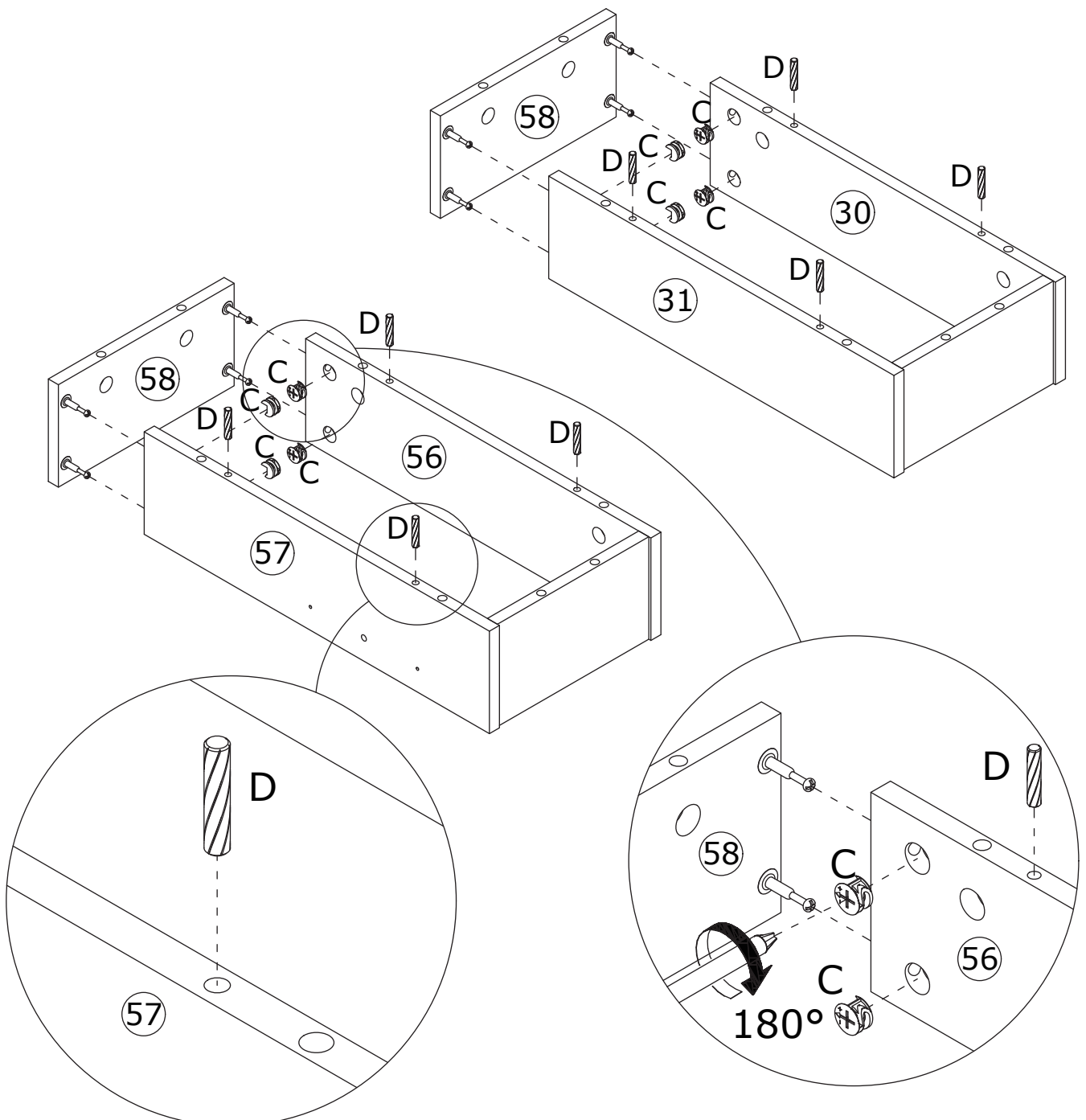
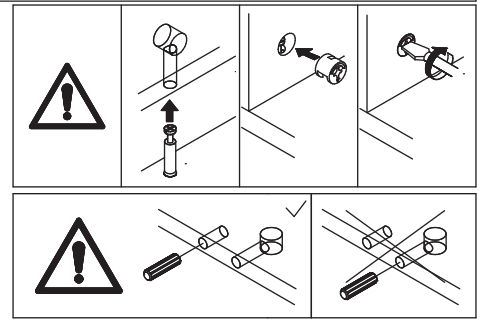
40



Connect panel 58 to panels 30 and 31, then tighten by turning eccentric wheel (C) clockwise.

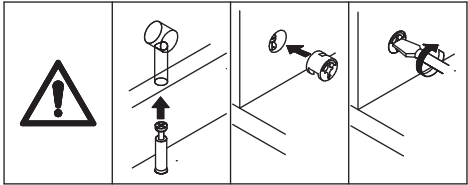
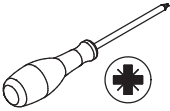
Connect panel 58 to panels 56 and 57, then tighten by turning eccentric wheel (C) clockwise.

Install dowels (D) into panels 30, 31, 56, and 57.

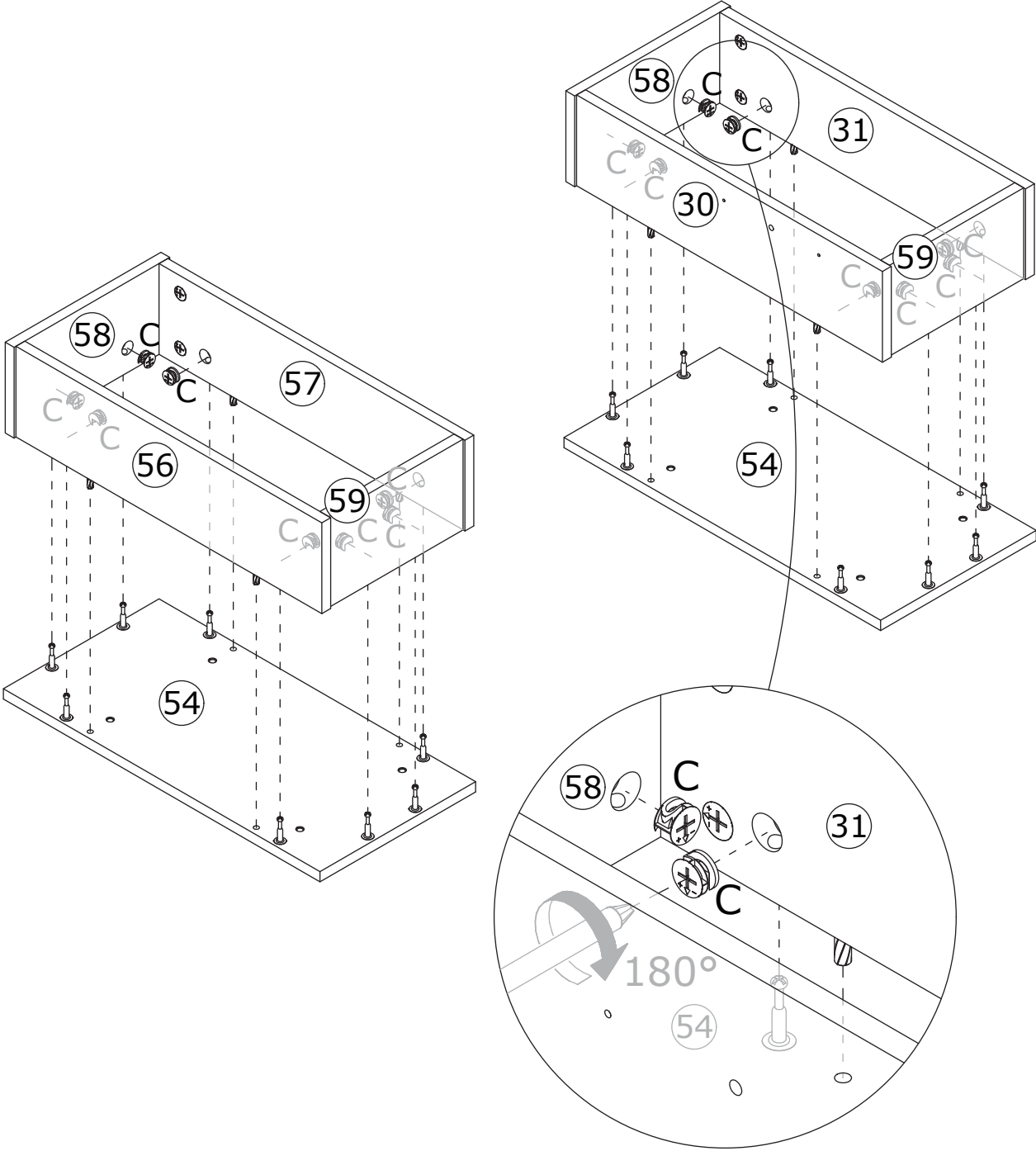


41

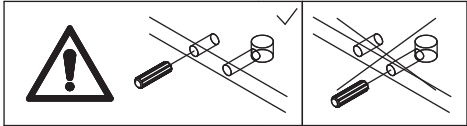
C x 16
CRB1595A



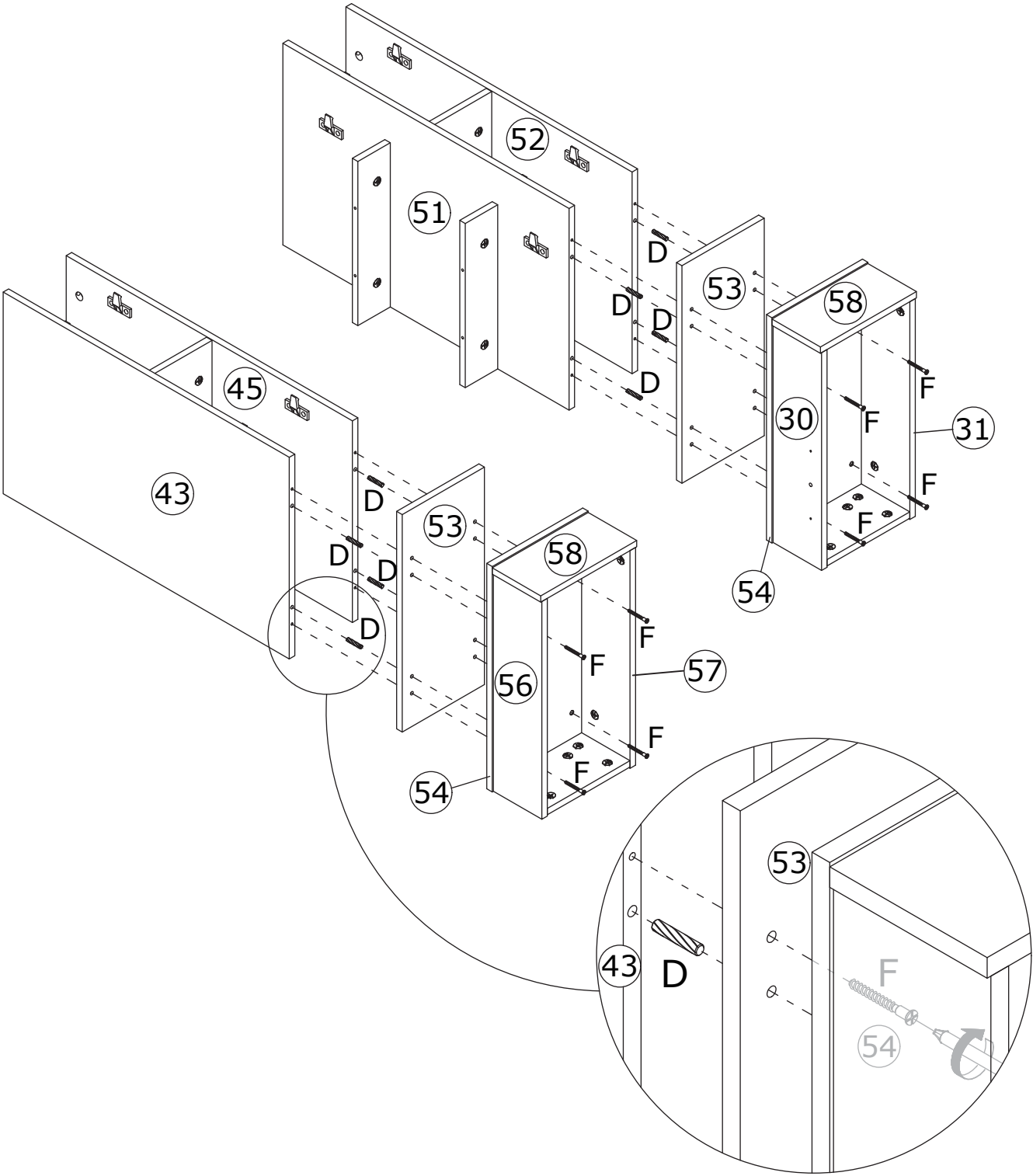
Connect the two components to panel 54 respectively, then tighten by turning eccentric wheel (C) clockwise.



42



Connect panels 53 and 54 to panels 51 and 52 using dowels (D), and secure with screws (F).
Connect panels 53 and 54 to panels 43 and 45 using dowels (D), and secure with screws (F).



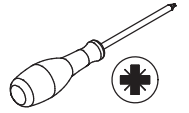
43

A x 6

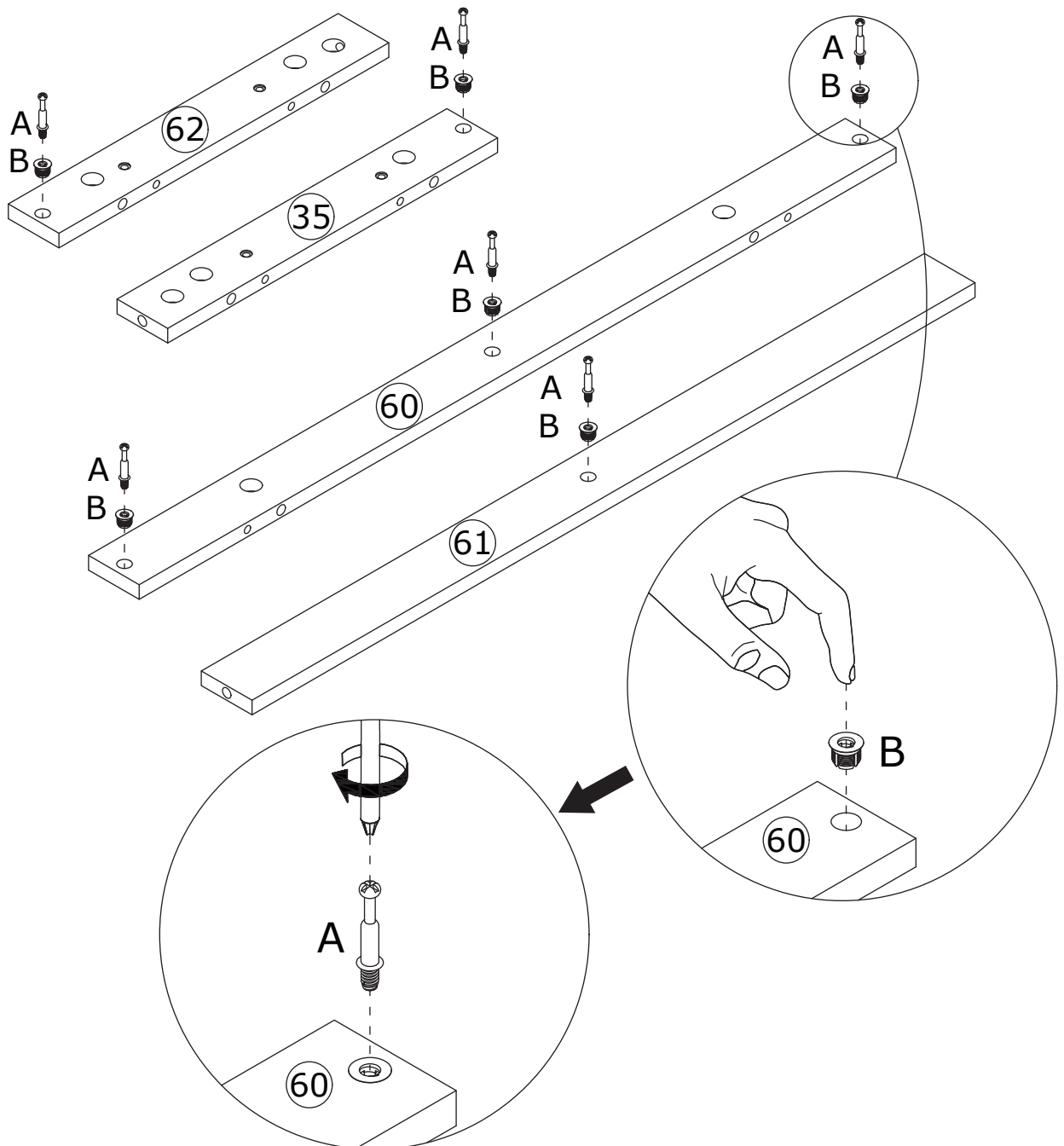
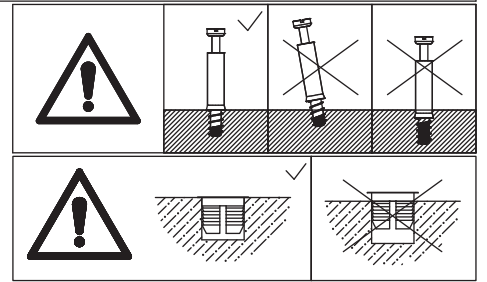


CRA0635B

B x 6



First install plugs (B) onto panels 35, 60, 61, and 62.
Then screw the self-tapping rods (A) onto.

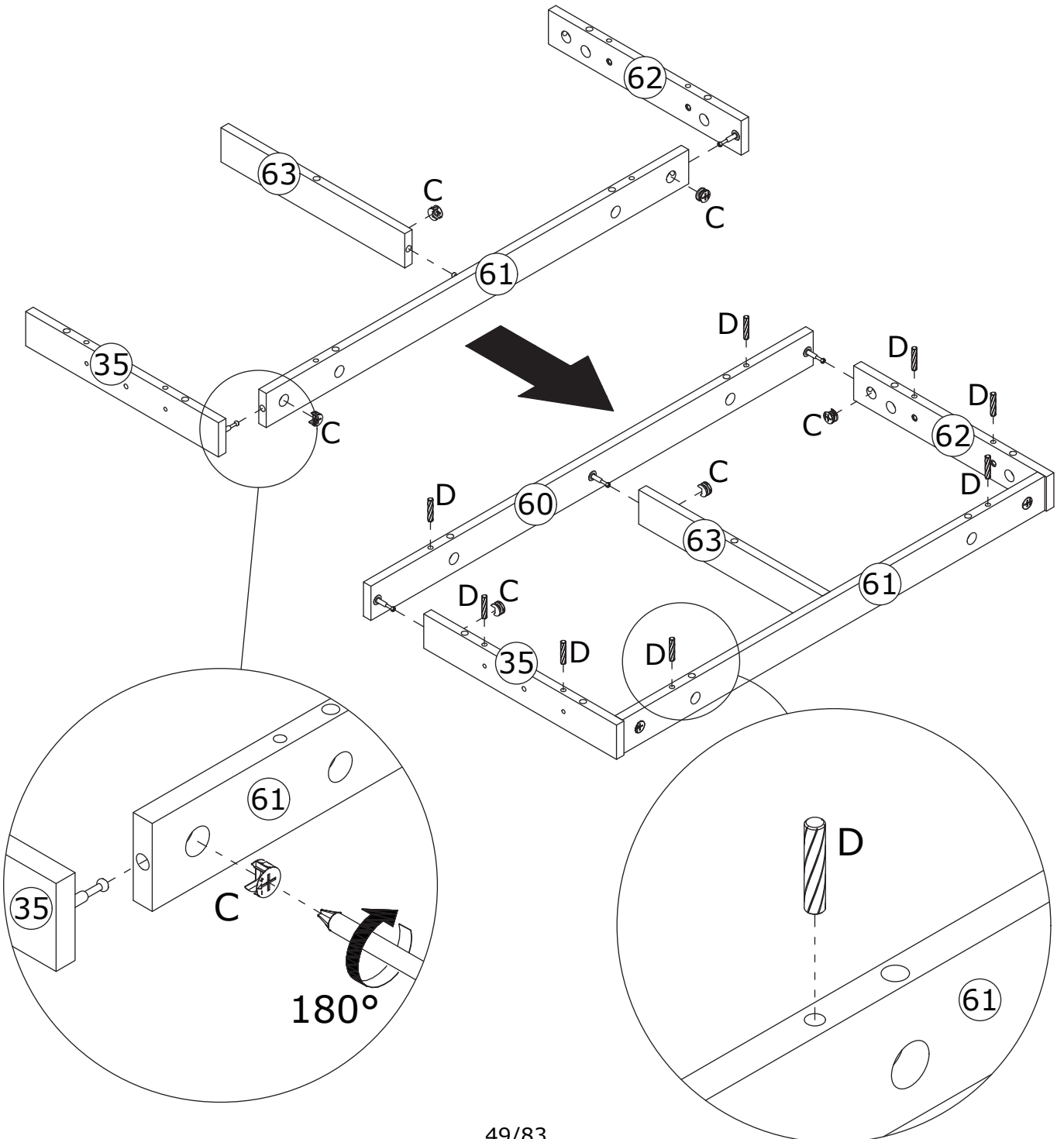
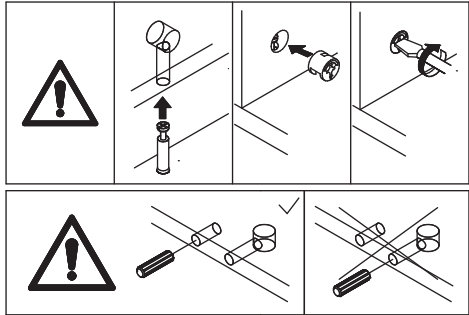


44

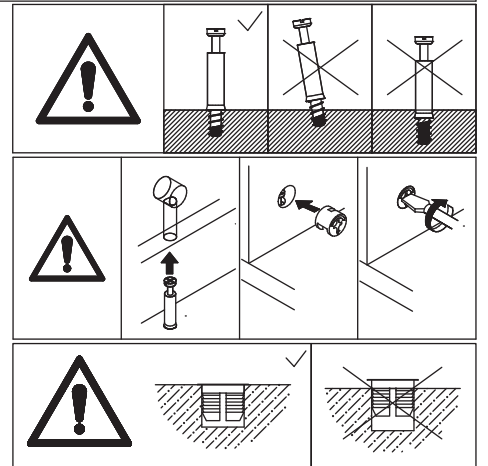
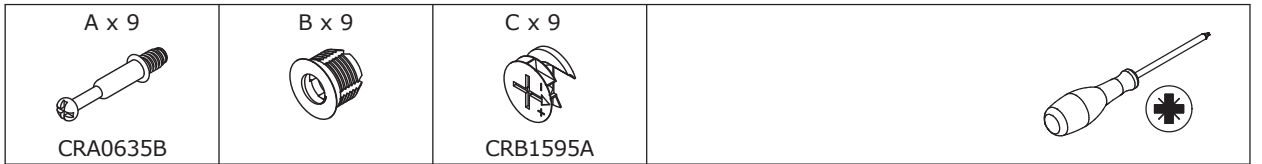


Connect panels 35, 62, and 63 to panel 61 and 60, then tighten by turning eccentric wheel (C) clockwise.

Install dowels (D) into panels 35, 60, 61, 62, and 63.

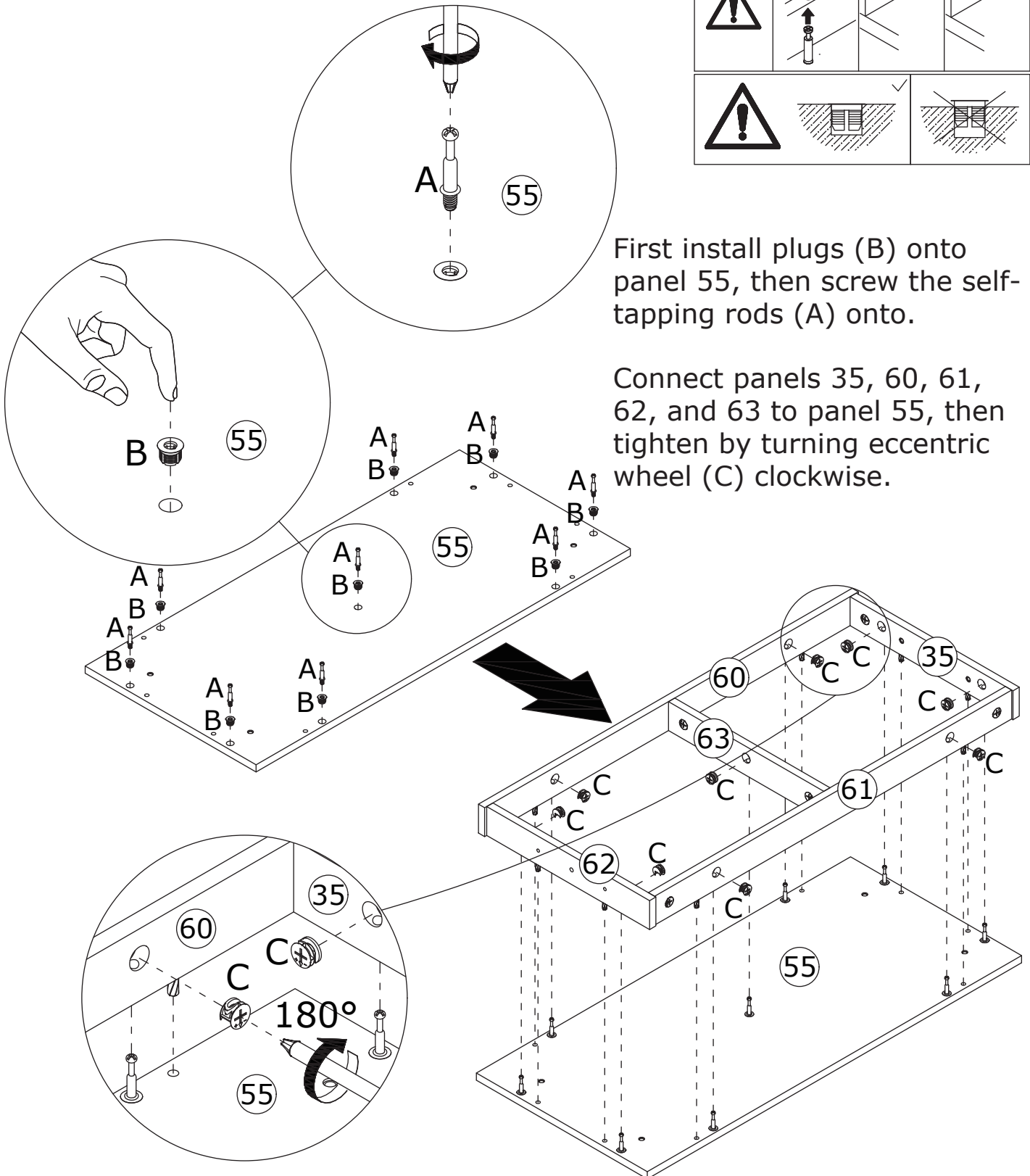


45



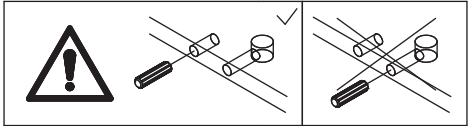
First install plugs (B) onto panel 55, then screw the self-tapping rods (A) onto.

Connect panels 35, 60, 61, 62, and 63 to panel 55, then tighten by turning eccentric wheel (C) clockwise.

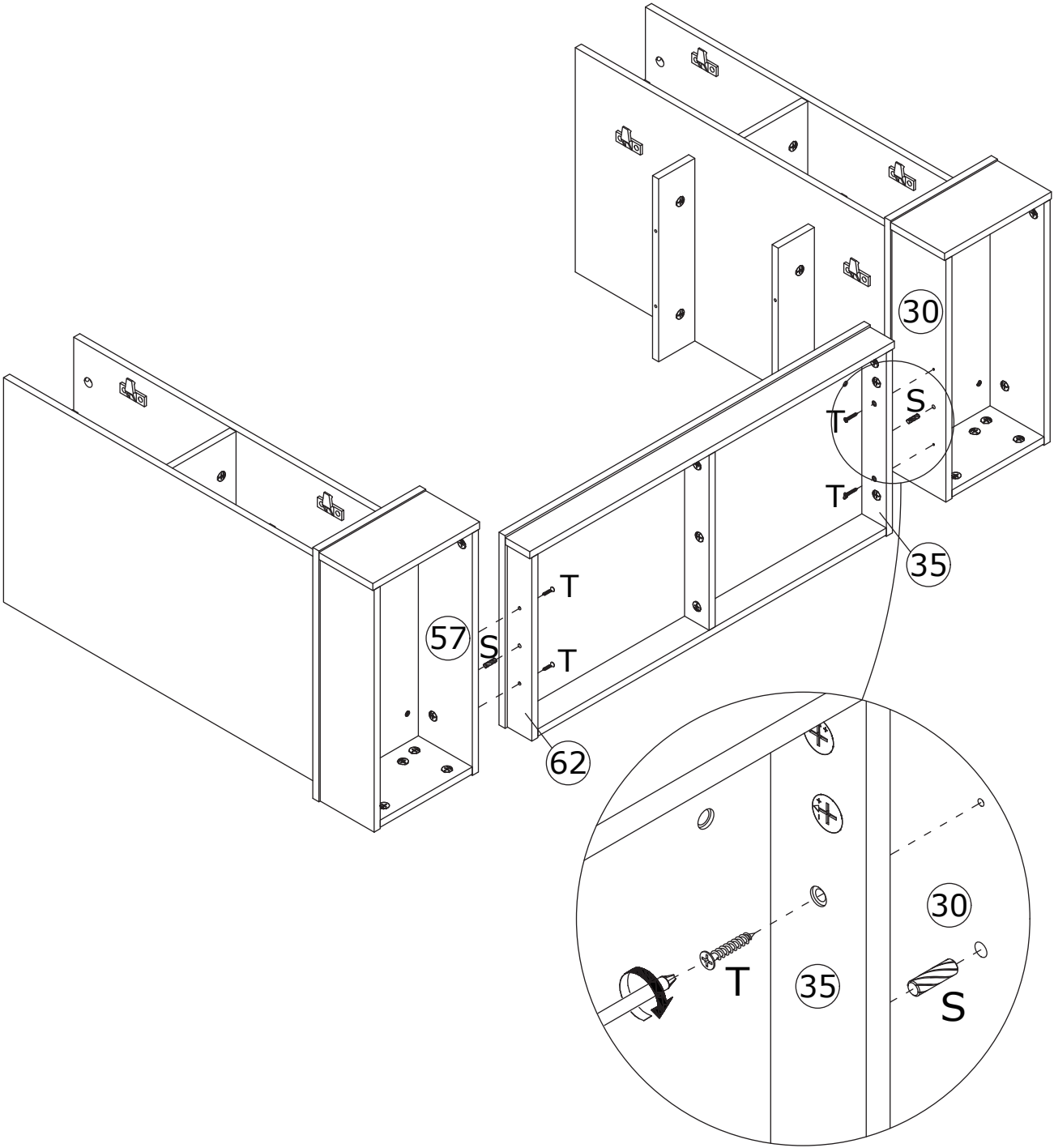


46

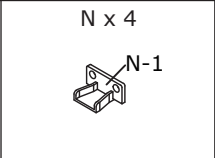
S x 2 CRF0620A	T x 4 CRD3520A	
-------------------	-------------------	--



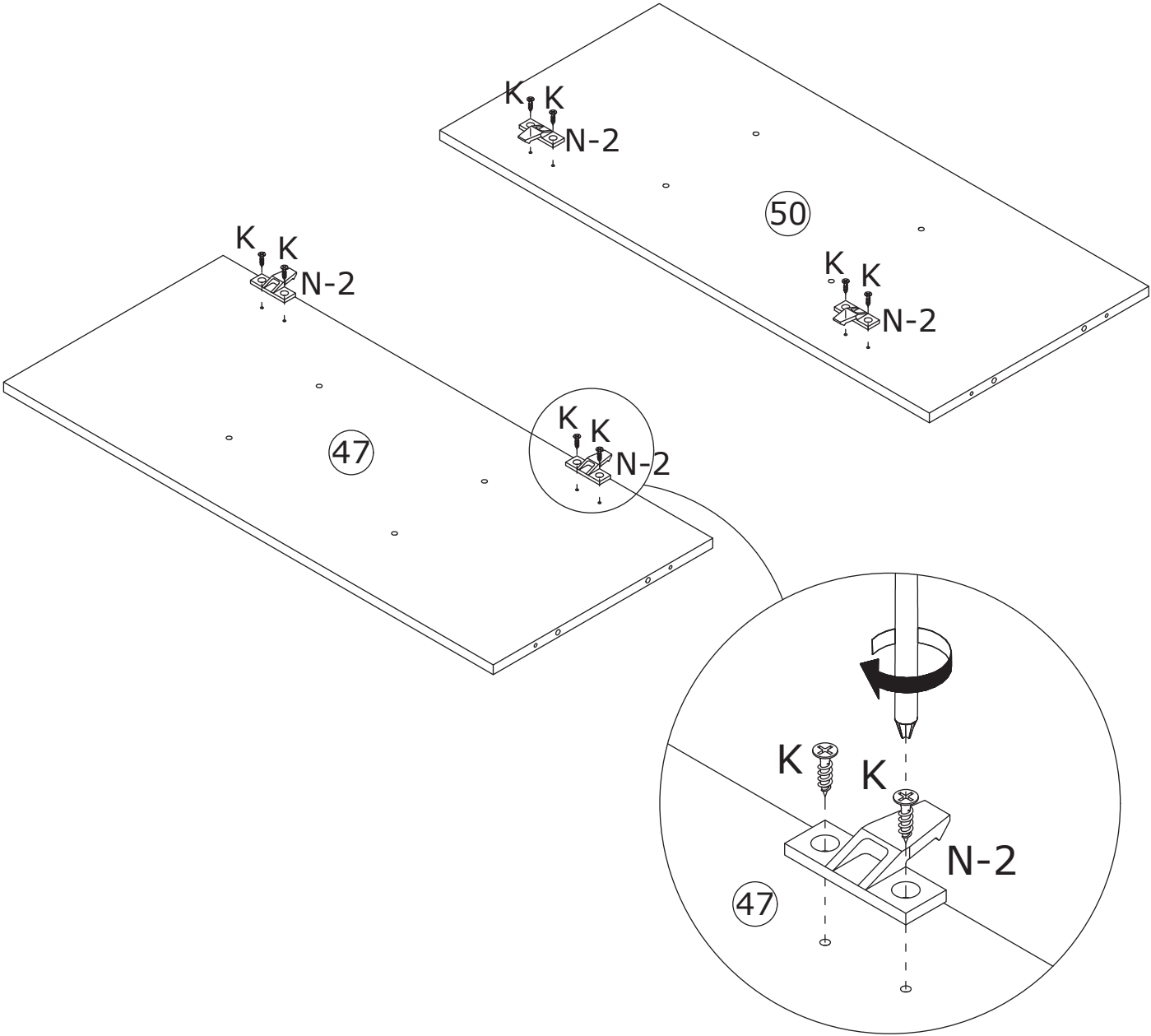
Connect panels 30 and 57 to panels 35 and 62 using dowels (S), then secure with screws (T).



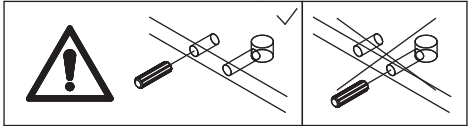
47



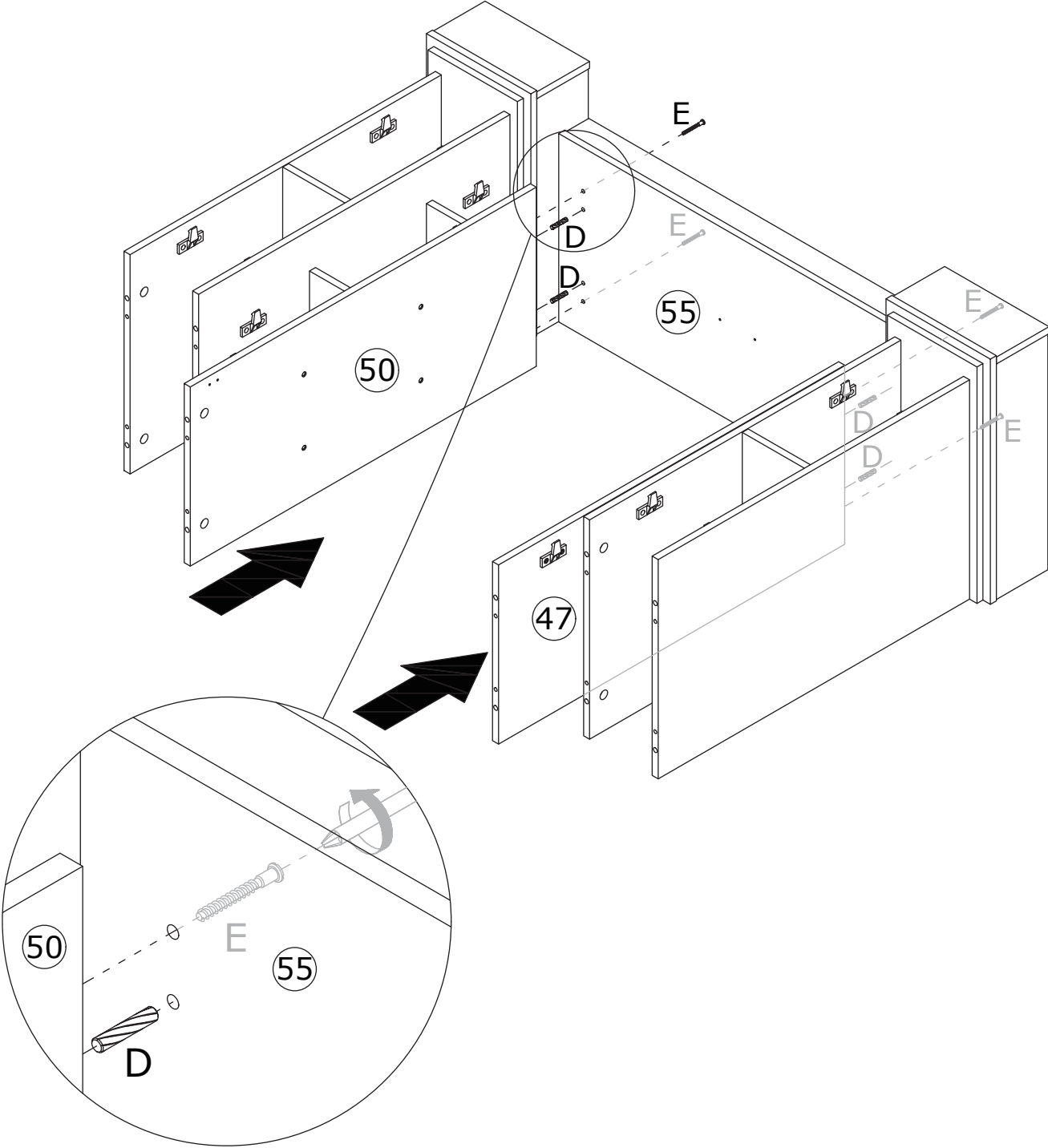
Use screws (K) to secure component (N-2) to panels 47 and 50.



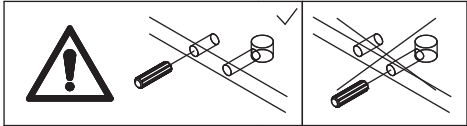
48



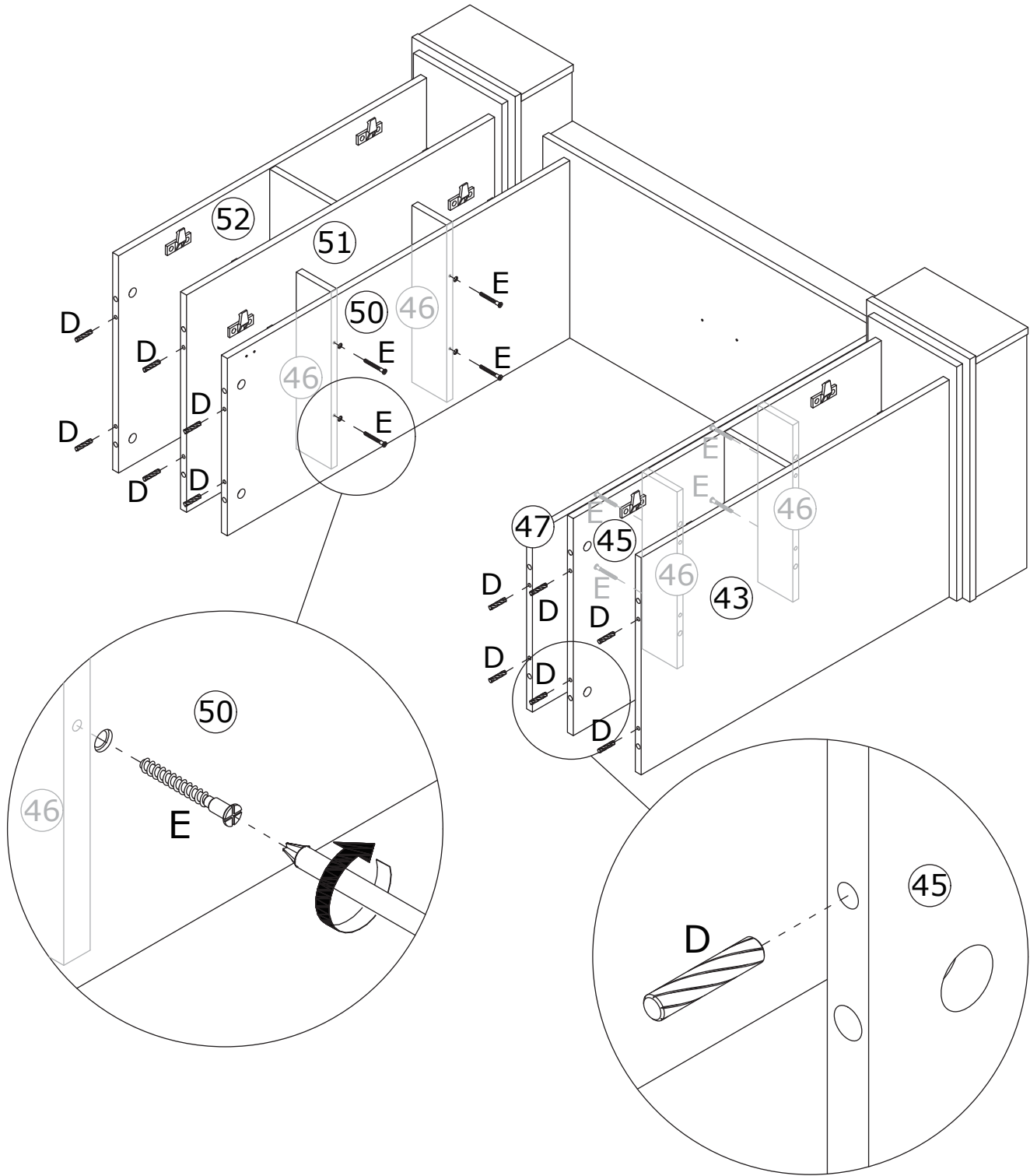
Attach panels 47 and 50 to panel 55 using dowels (D), and secure them with screws (E).



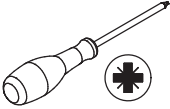
49



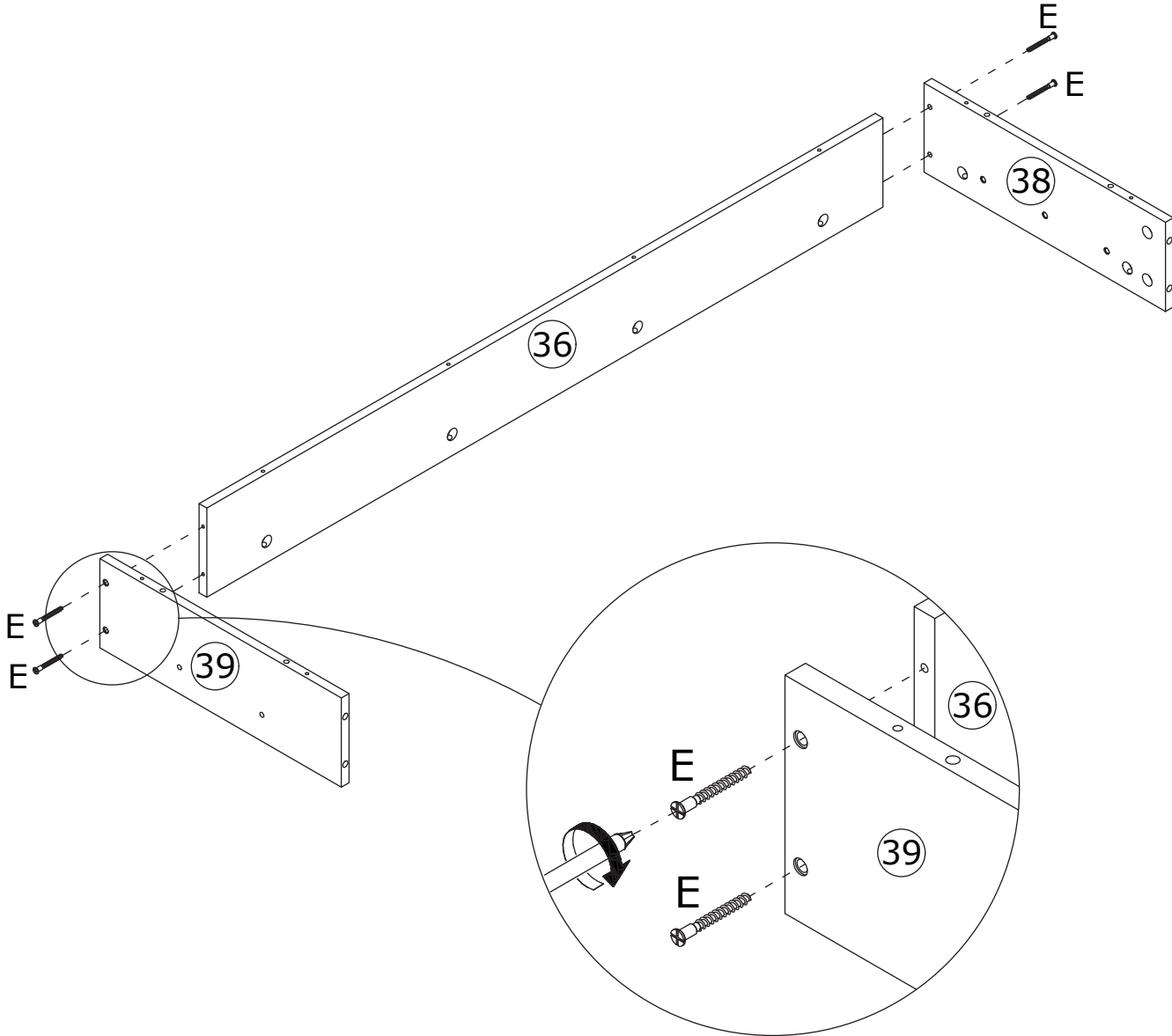
Secure panels 47 and 50 to panel 46 using screws (E).
Install dowels (D) into panels 43, 45, 47, 50, 51, and 52.



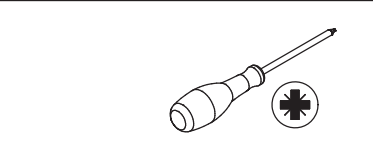
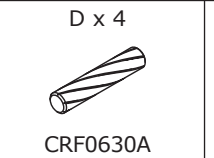
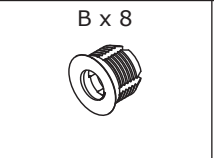
50



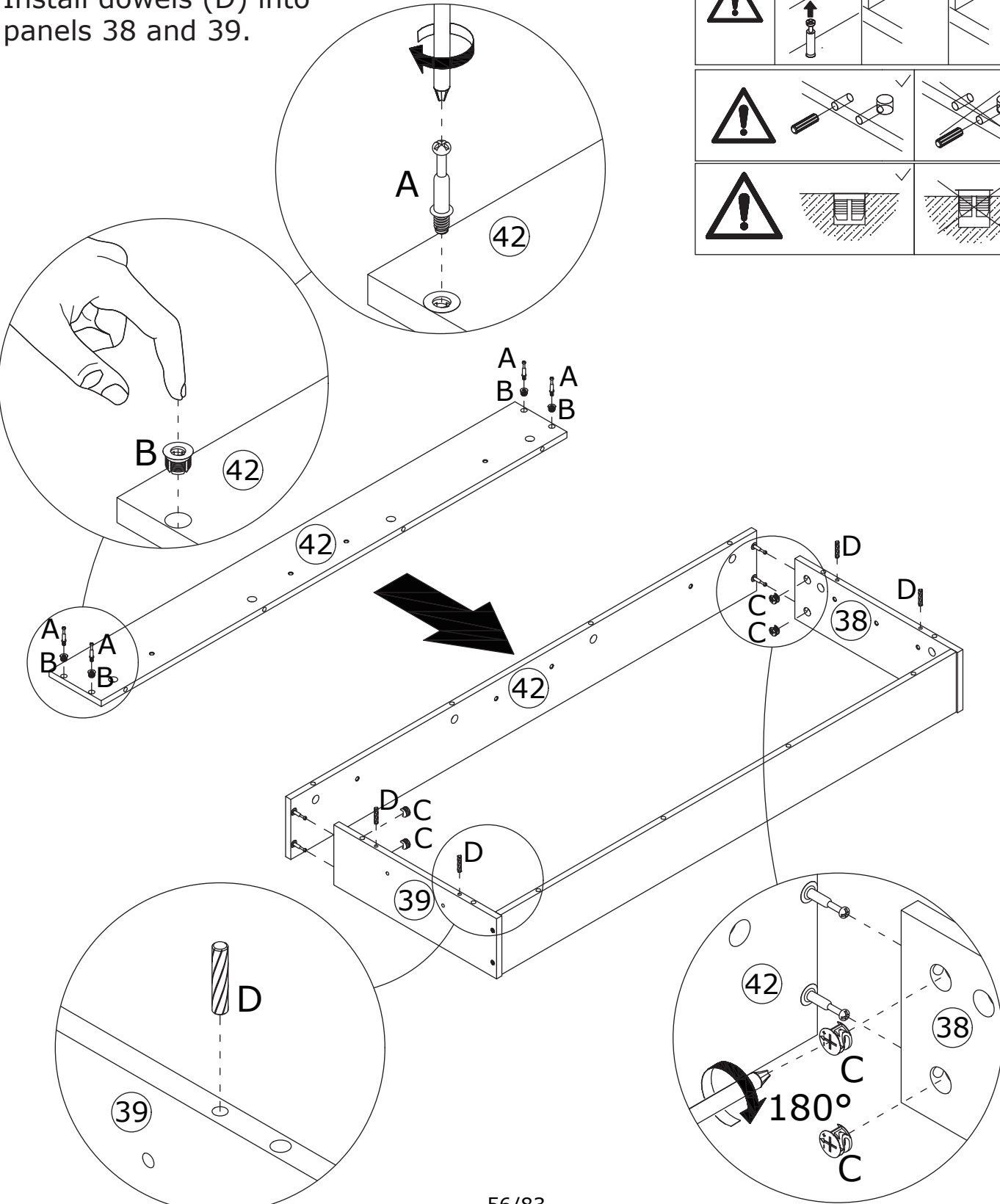
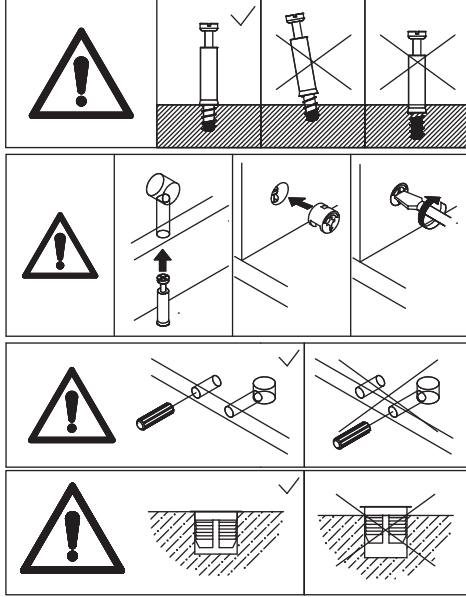
Connect panels 38 and 39 to panel 36 using screws (E).



51



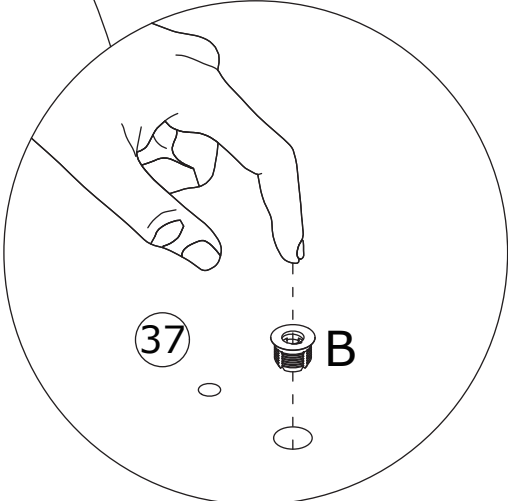
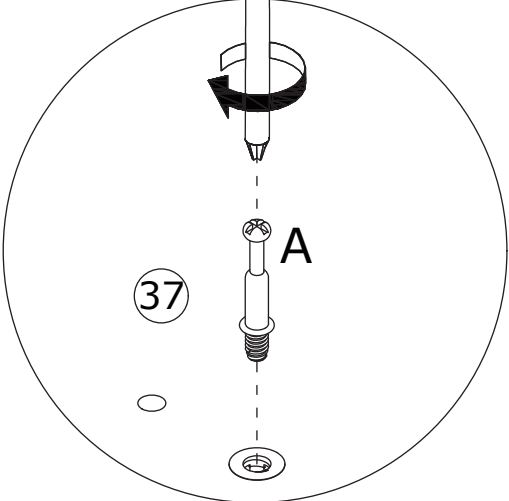
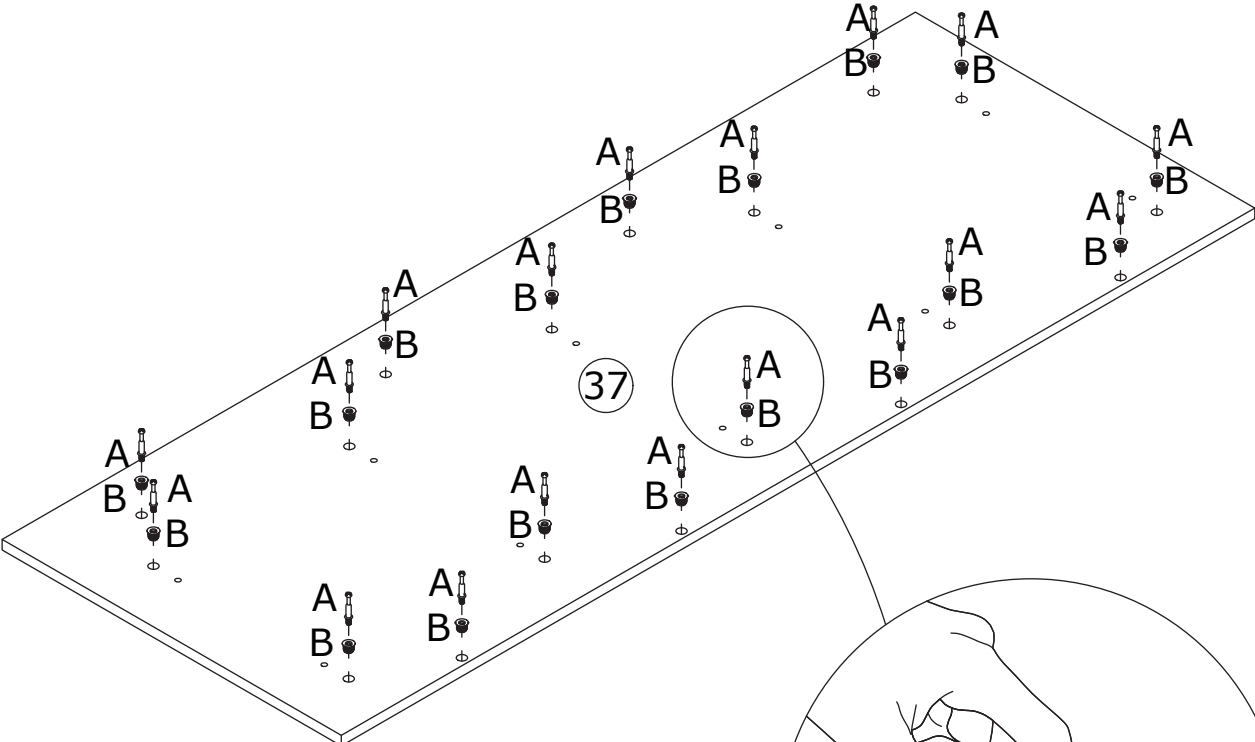
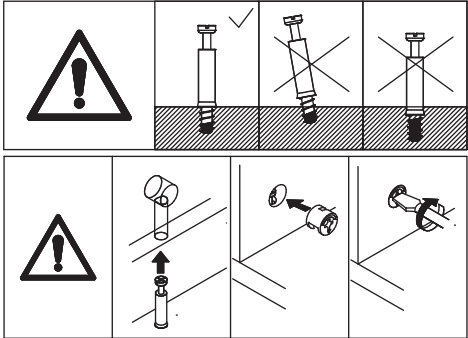
First install plugs (B) onto panel 42, then screw the self-tapping rods (A) onto. Connect panel 42 to panels 38 and 39, then tighten by turning eccentric wheel (C) clockwise. Install dowels (D) into panels 38 and 39.



52

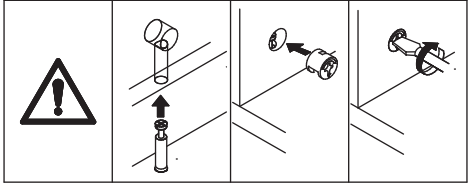
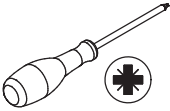


First install plugs (B) onto panel 37, then screw the self-tapping rods (A) onto.

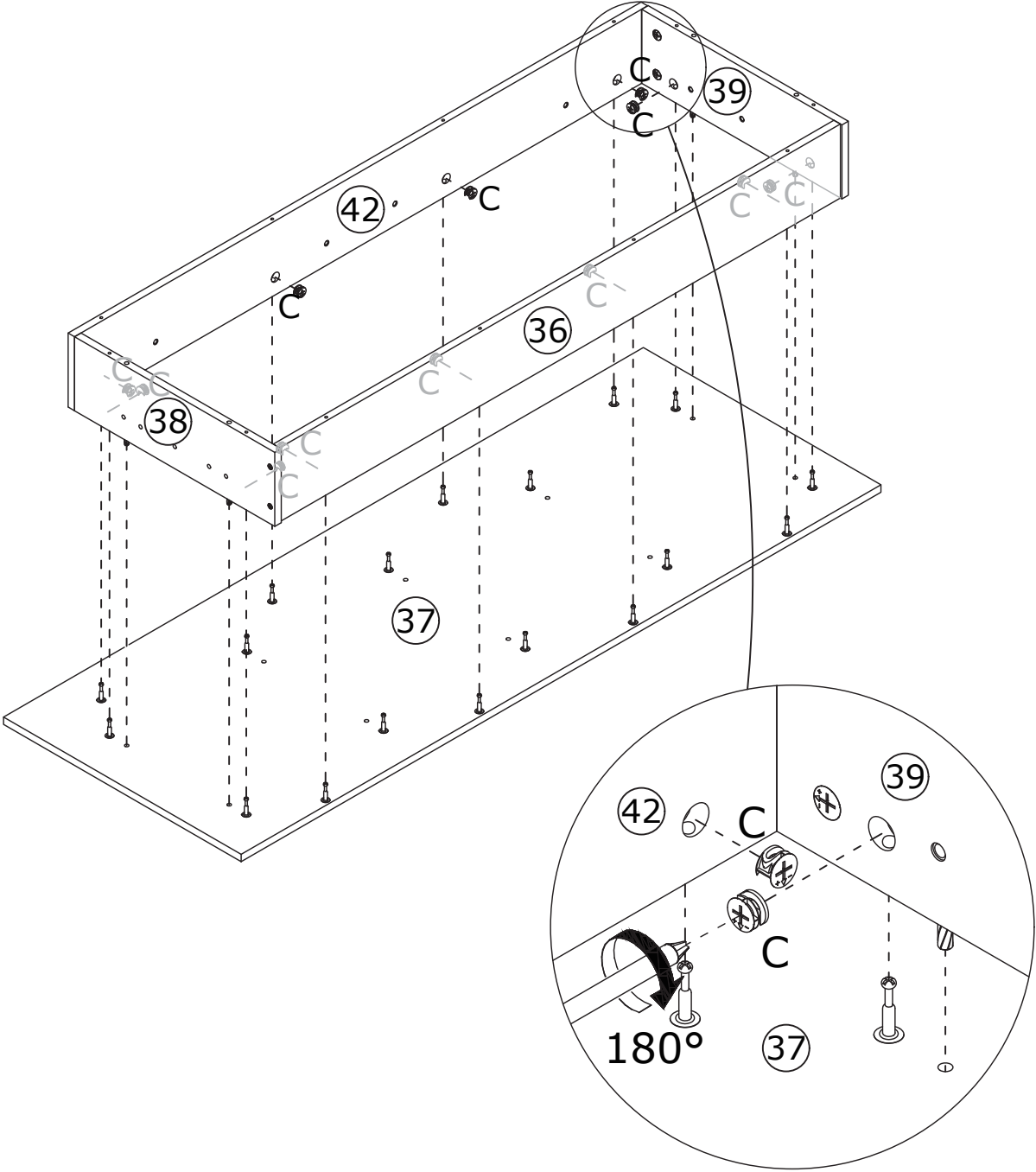


53

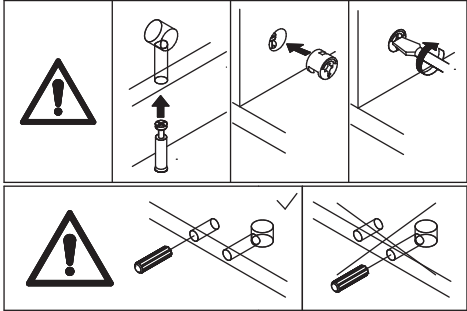
C x 12
CRB1595A



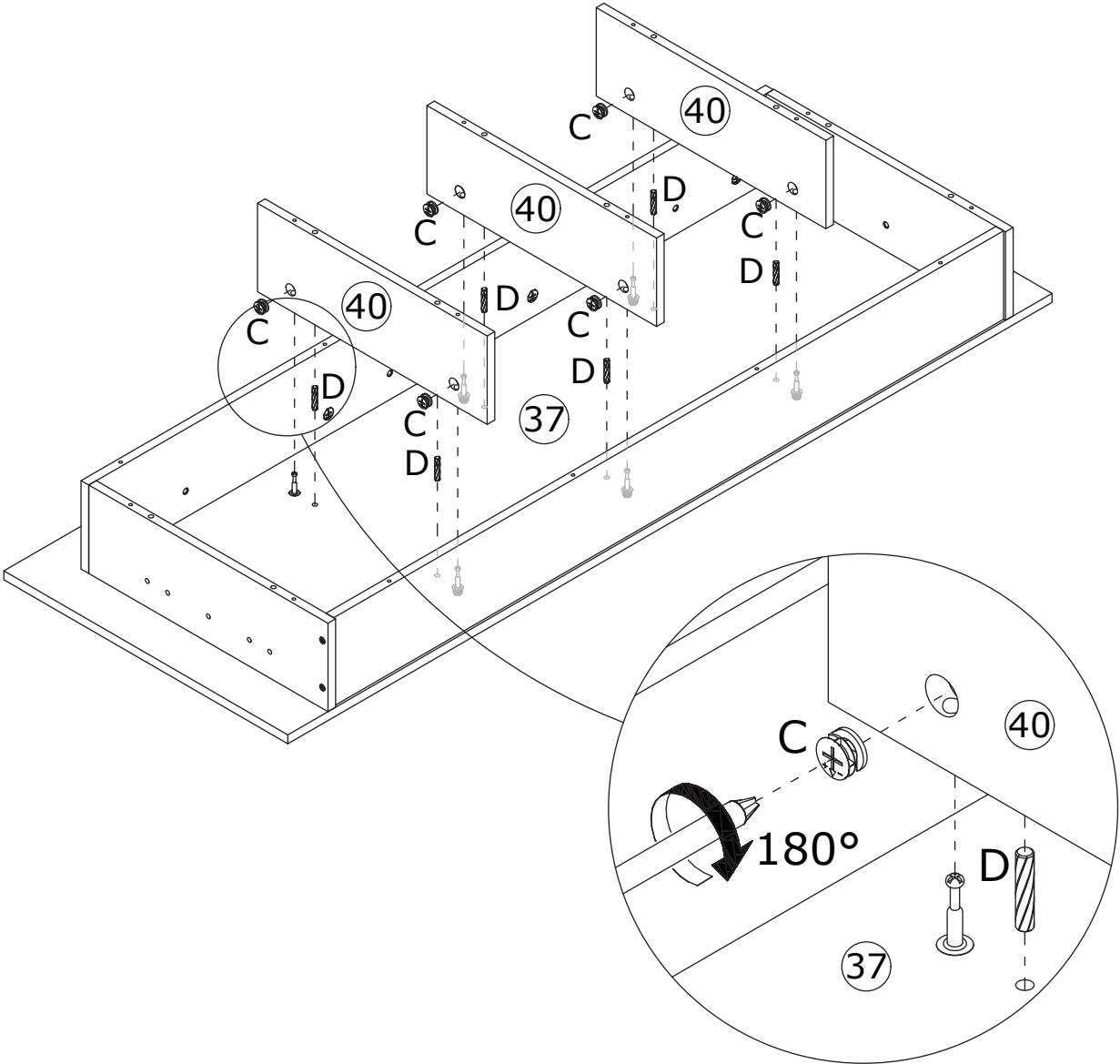
Connect panels 36, 38, 39, and 42 to panel 37, then tighten by turning eccentric wheel (C) clockwise.



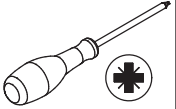
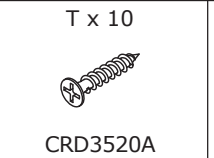
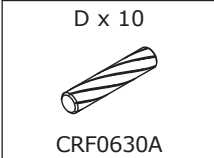
54



Connect panel 40 to panel 37 using dowels (D), then tighten by turning eccentric wheel (C) clockwise.



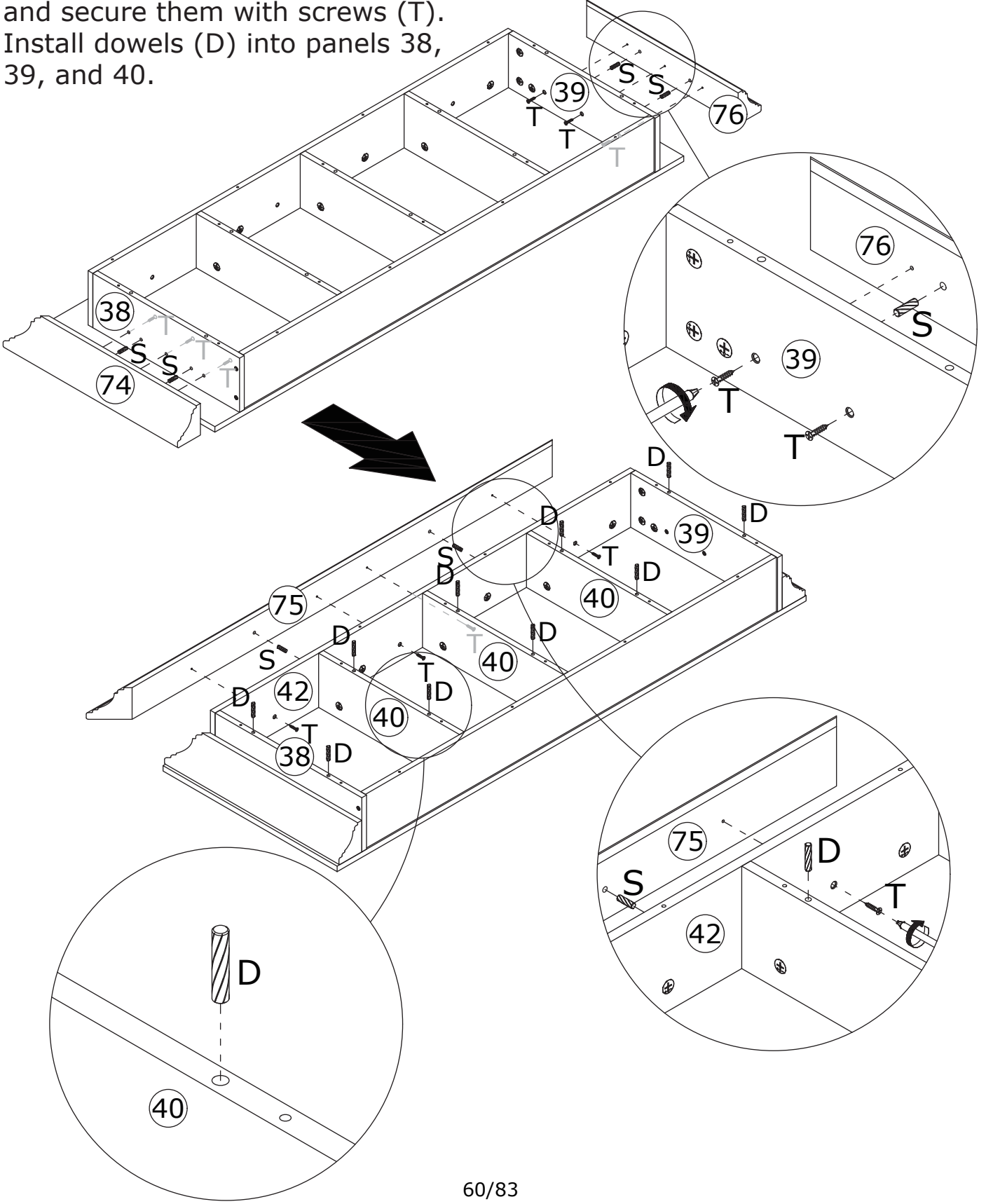
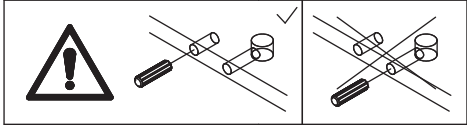
55



Connect panels 74 and 76 to panels 38 and 39 using dowels (S), and secure them with screws (T).

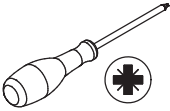
Connect panel 75 to panel 42 using dowels (S), and secure them with screws (T).

Install dowels (D) into panels 38, 39, and 40.

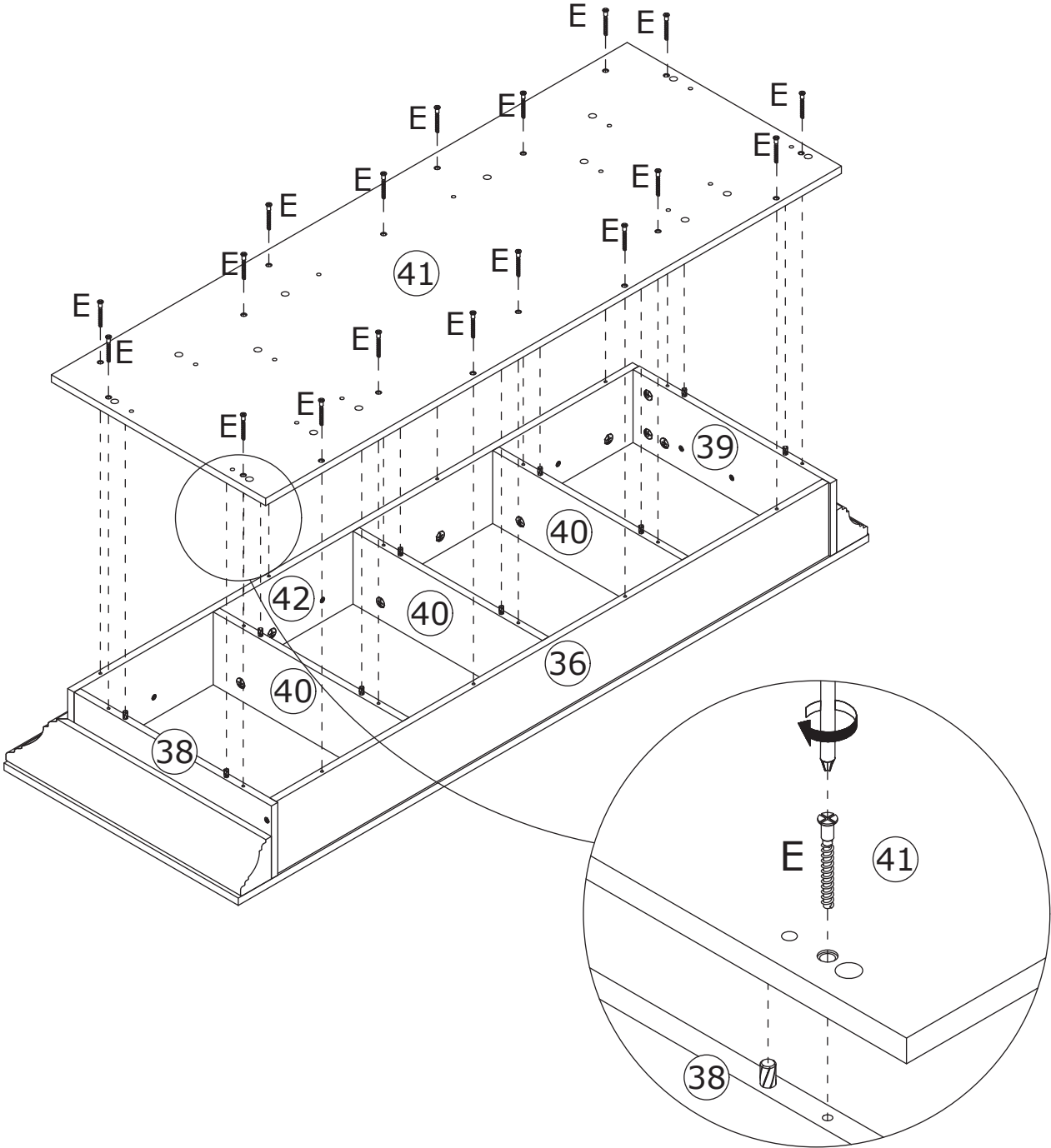


56

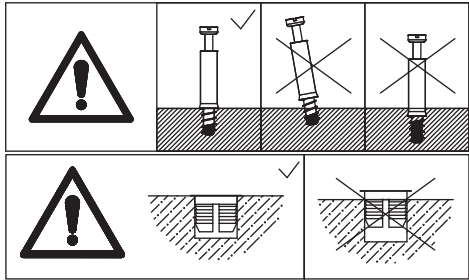
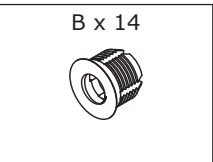
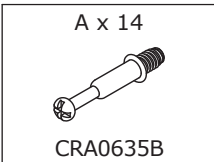
E x 18
CRD0540A



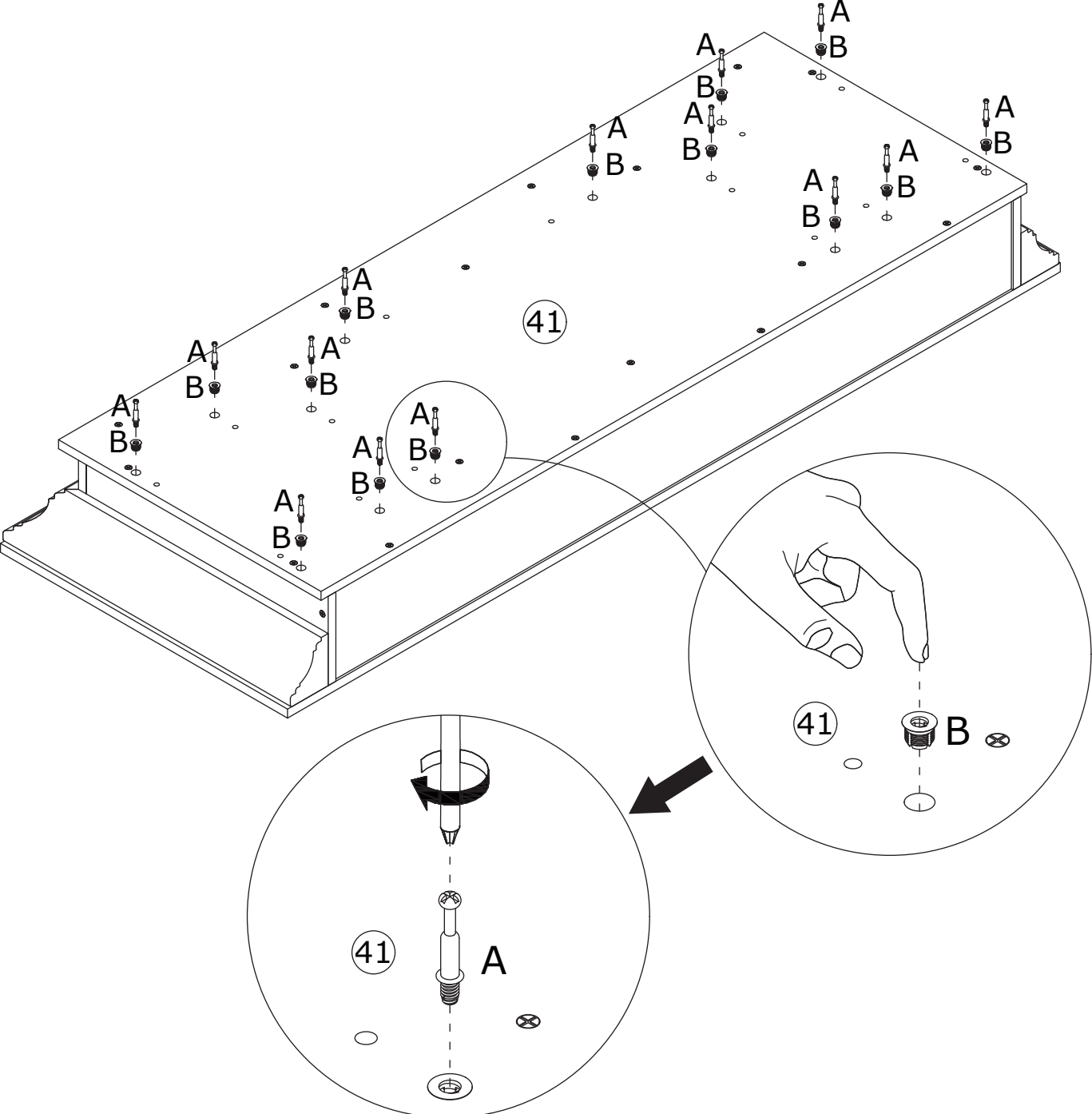
Attach panel 41 to the mounting unit using screws (E).



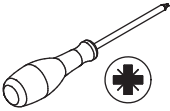
57



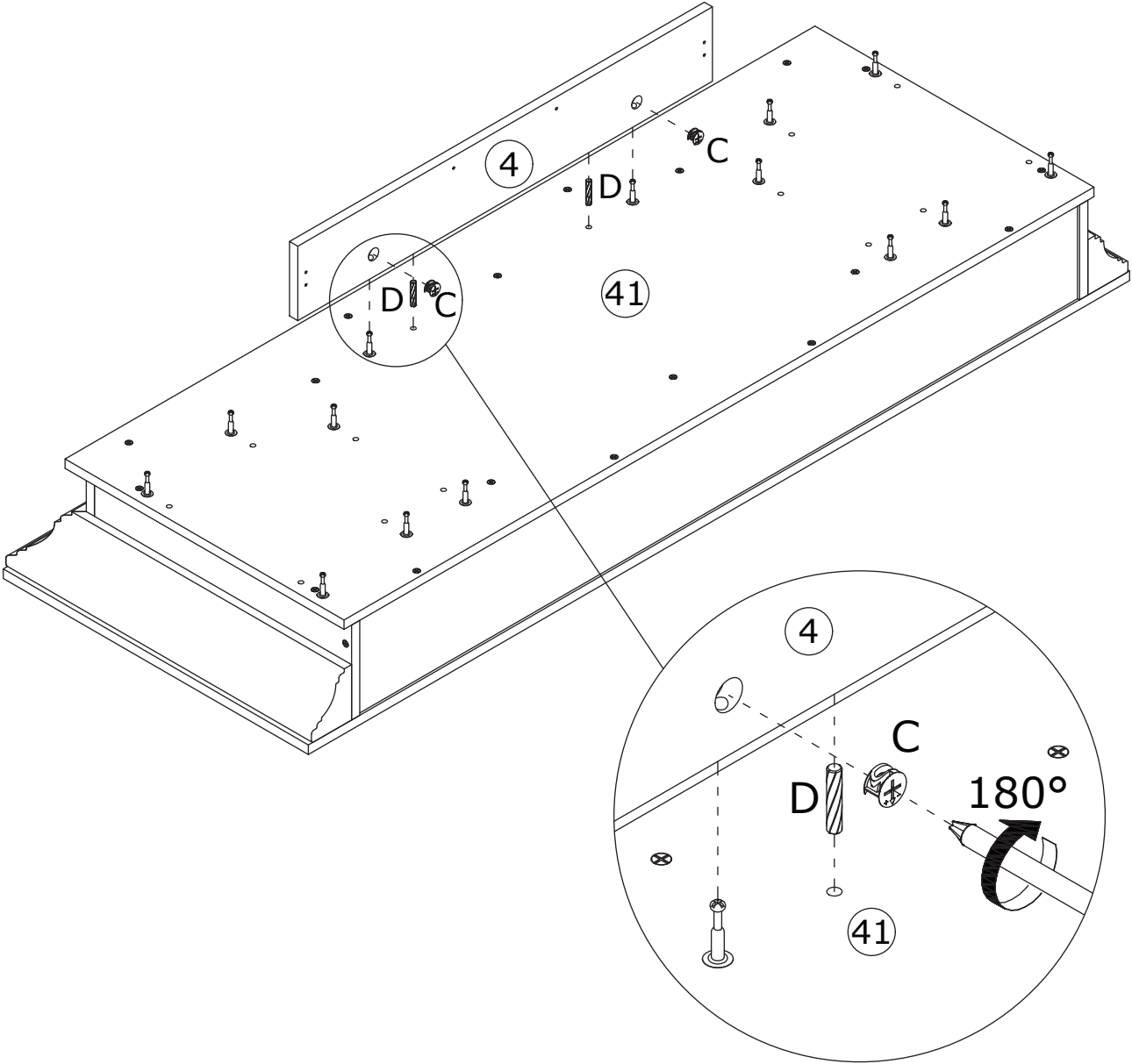
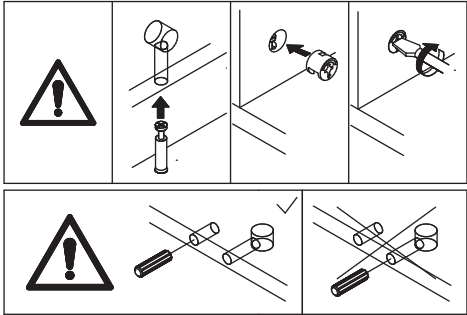
First install plugs (B) onto panel 41, then screw self-tapping rods (A) onto.



58

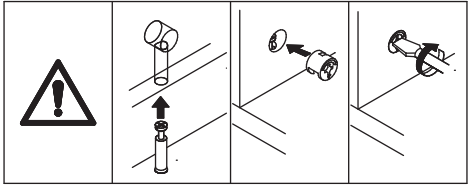
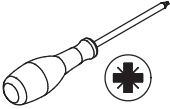


Connect panel 4 to panel 41 using dowels (D), then tighten by turning eccentric wheel (C) clockwise.

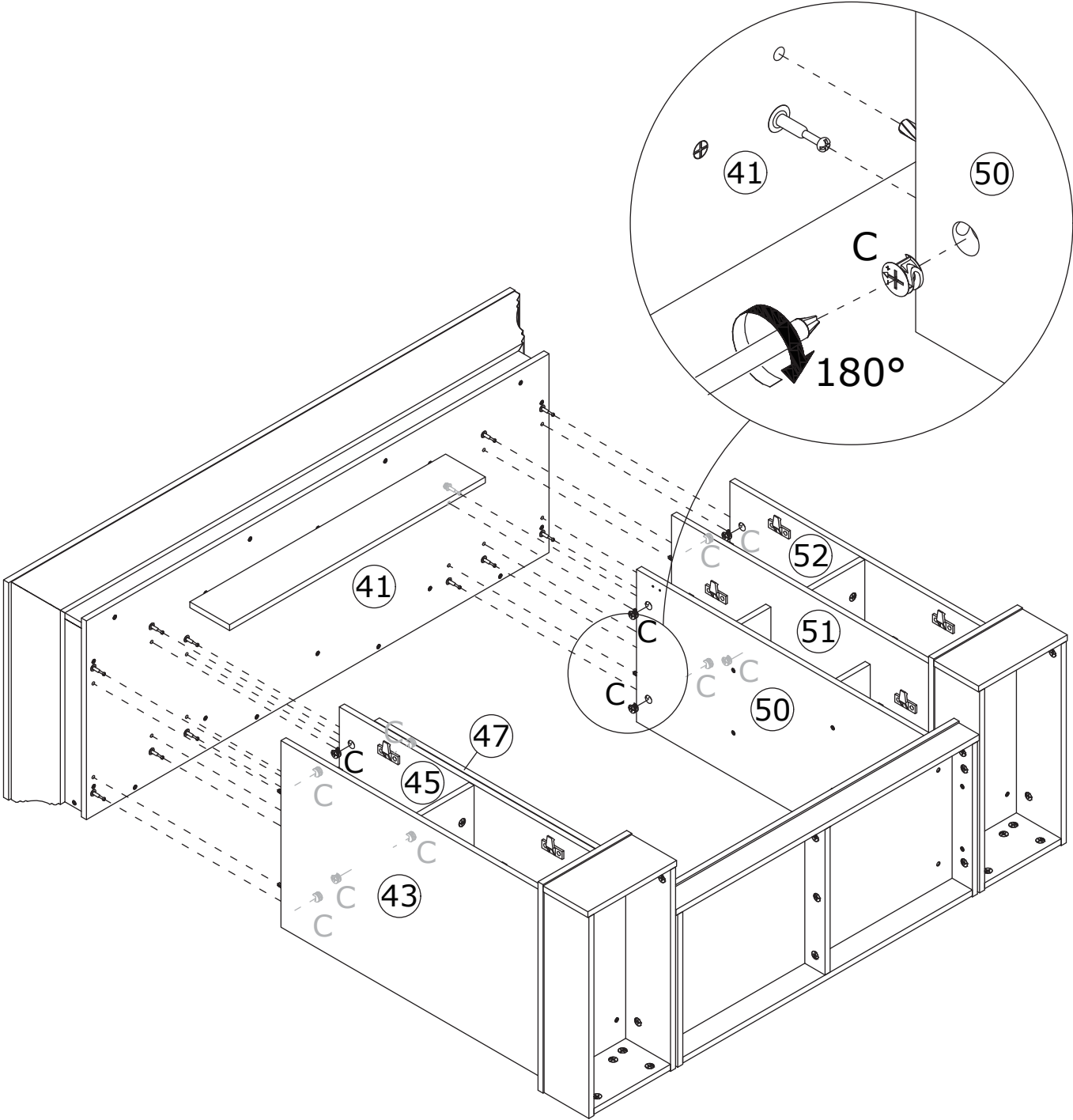


59

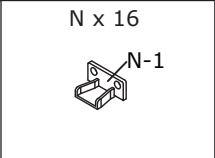
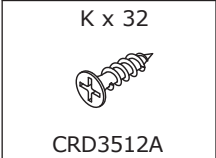
C x 12
CRB1595A



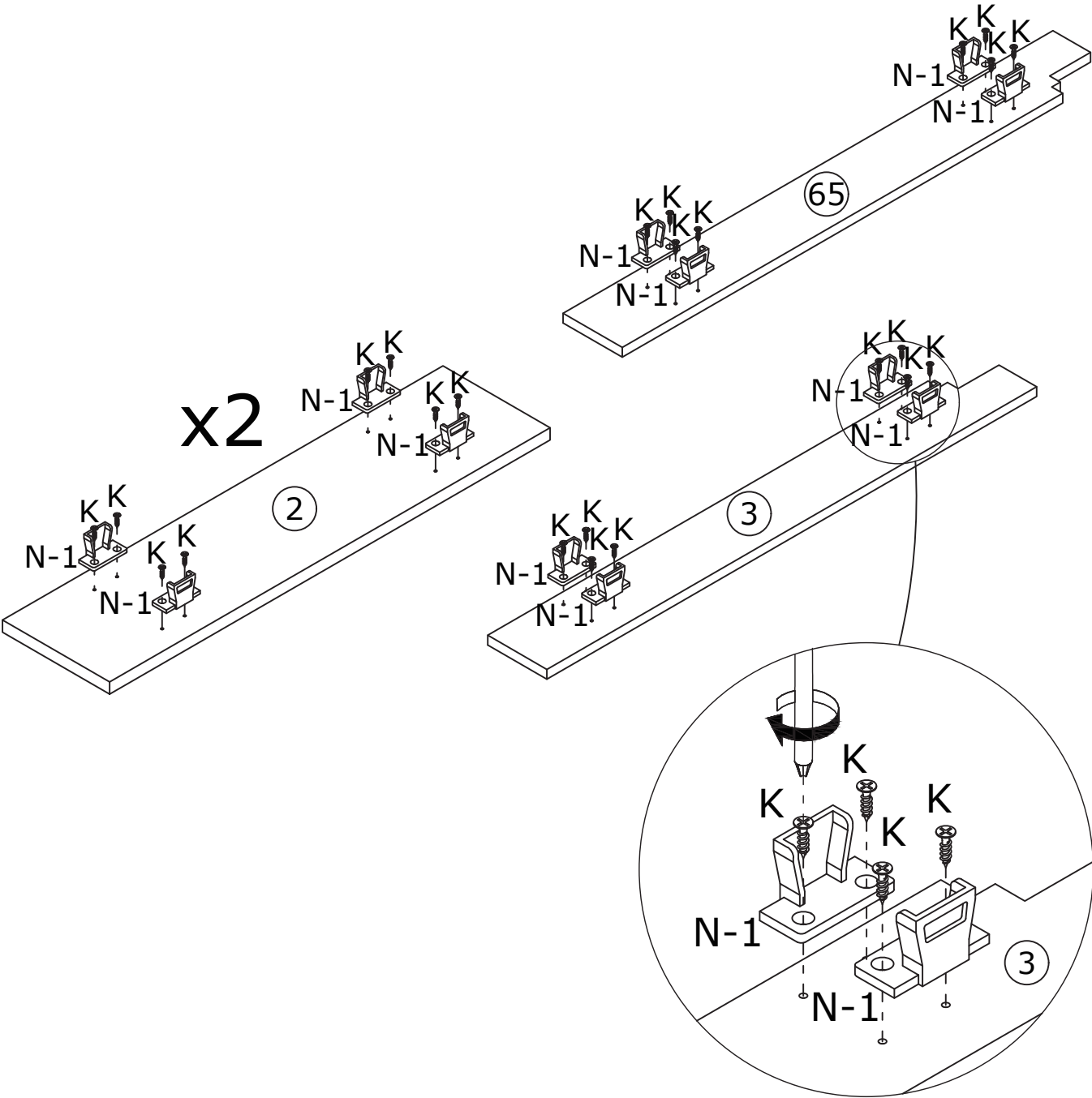
Connect panel 41 to the two components, then tighten by turning eccentric wheel (C) clockwise.



60

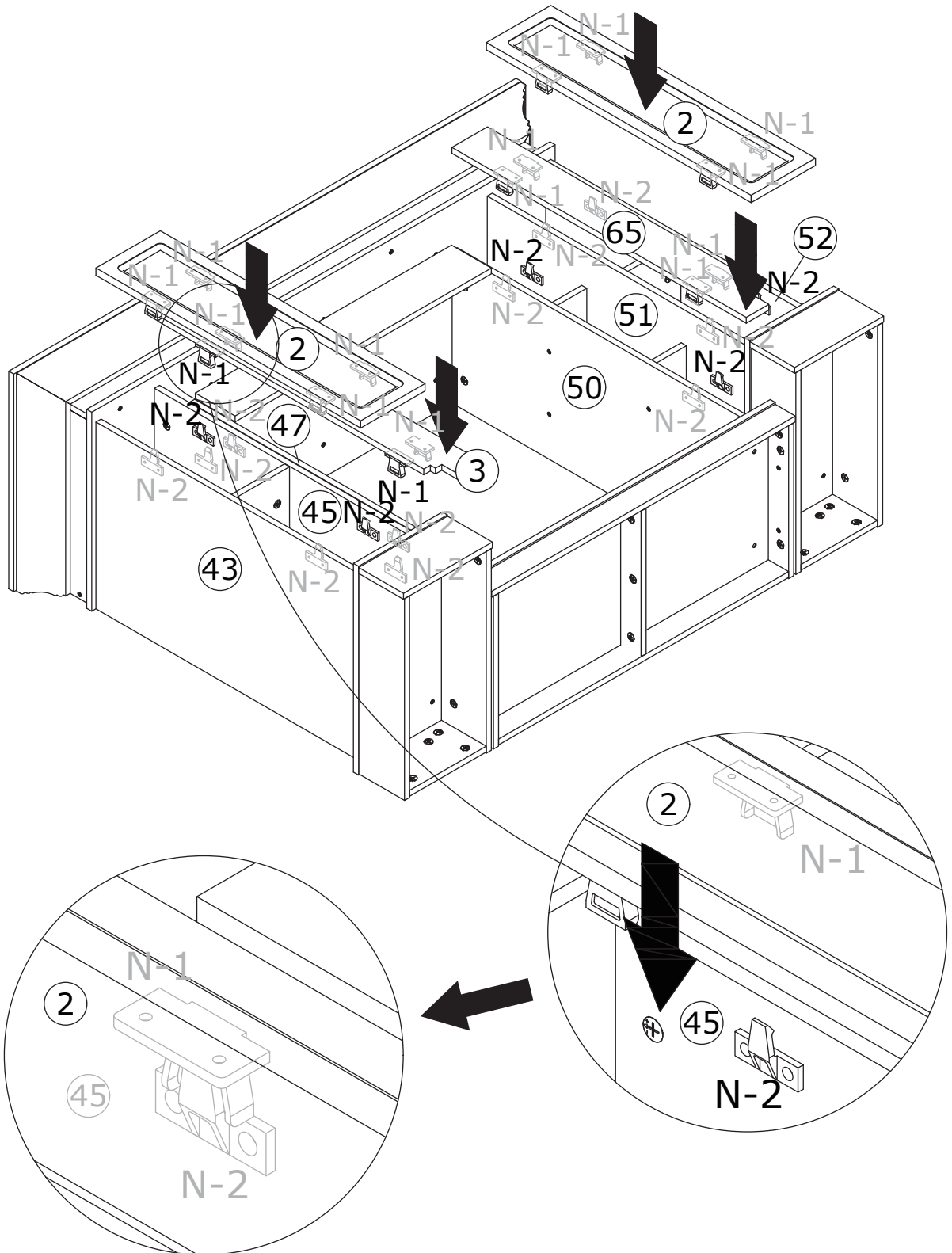


Use screws (K) to secure component (N-1) to panels 2, 3, and 65.




61

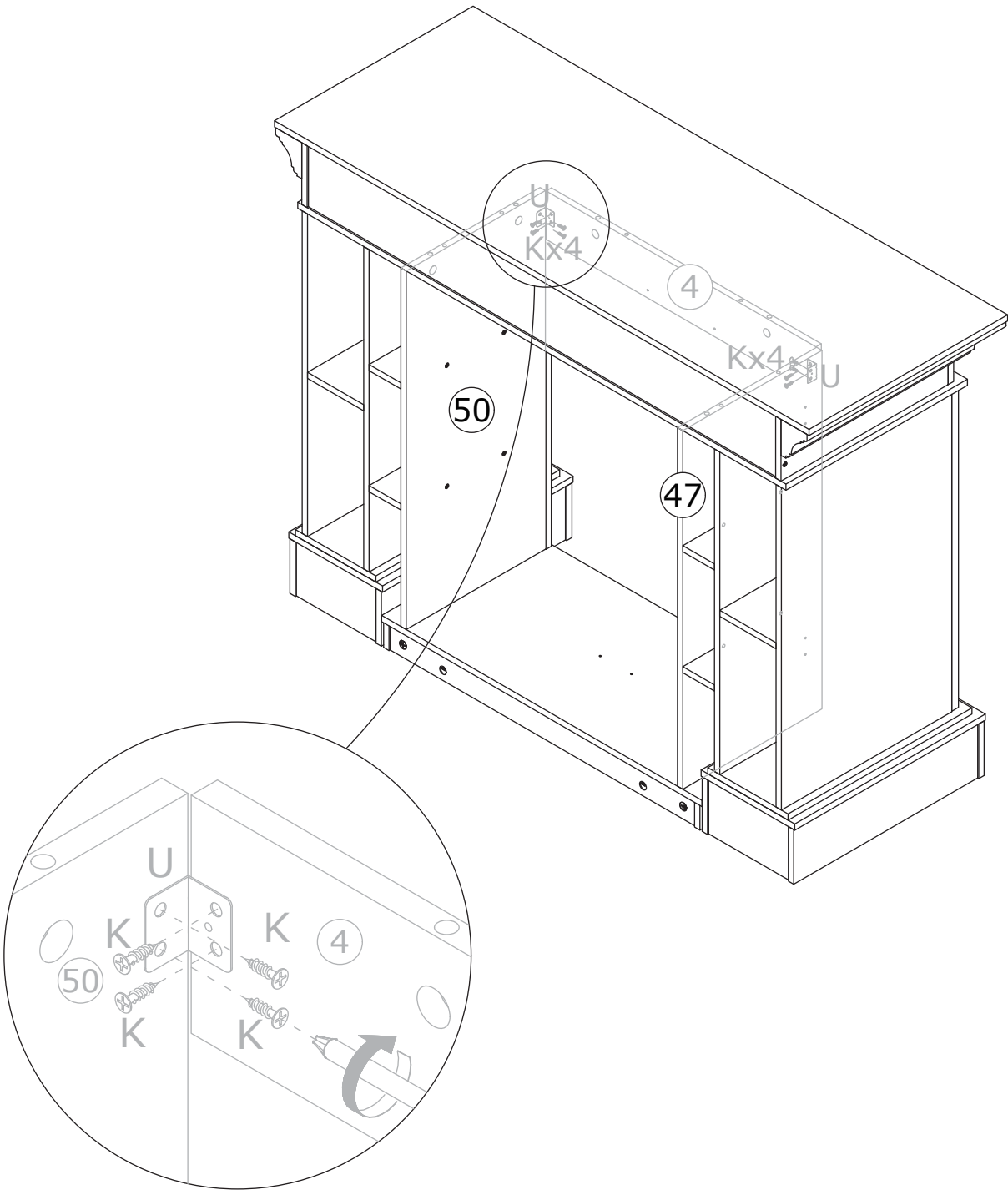
Install panel 2 onto the main body, and secure component (N-1) to component (N-2).



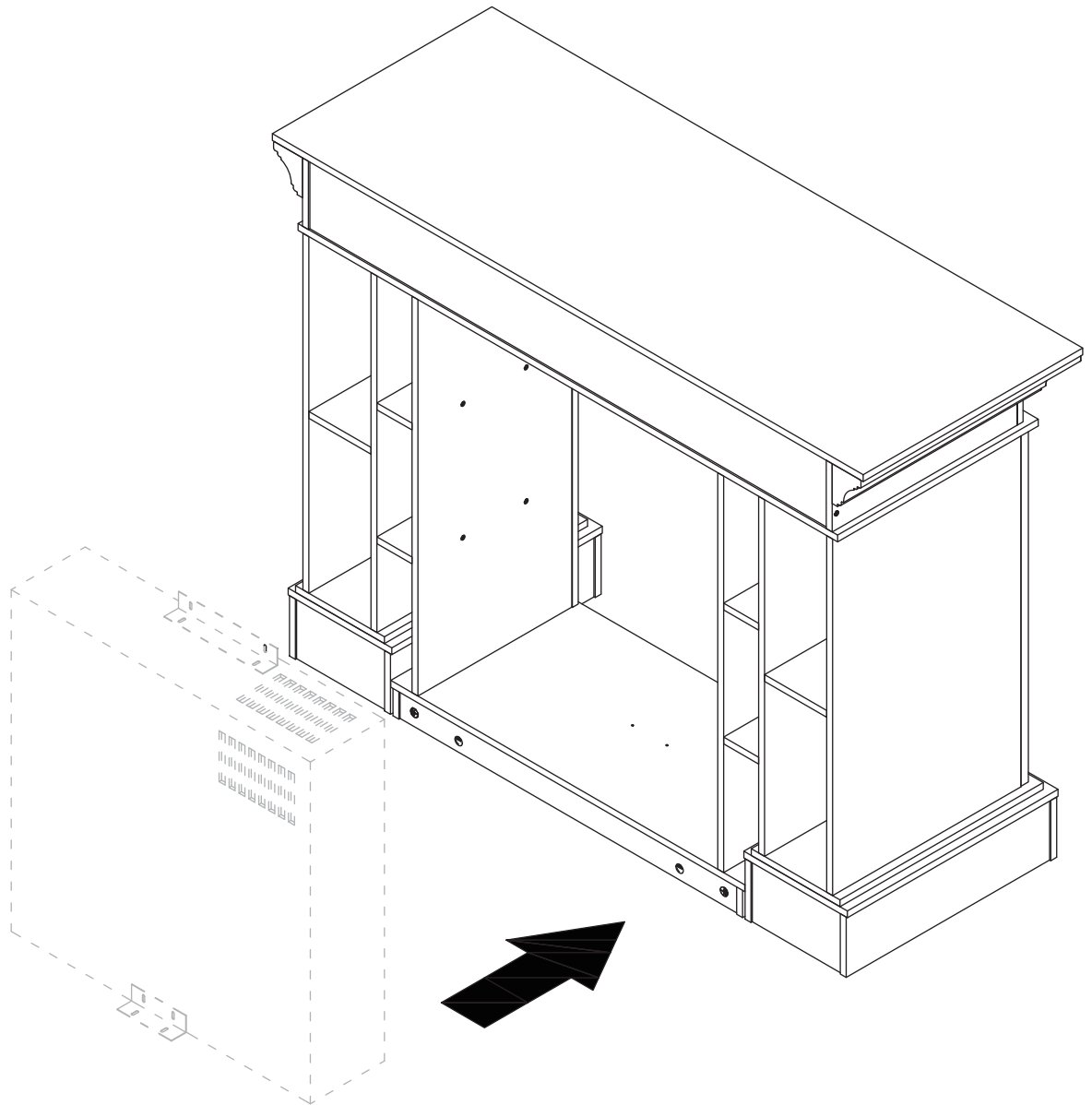
62

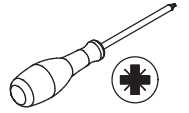
<p>K x 8</p>  <p>CRD3512A</p>	<p>U x 2</p> 	
--	--	---

Use screws (K) to secure component (U) to panels 4, 47, and 50.

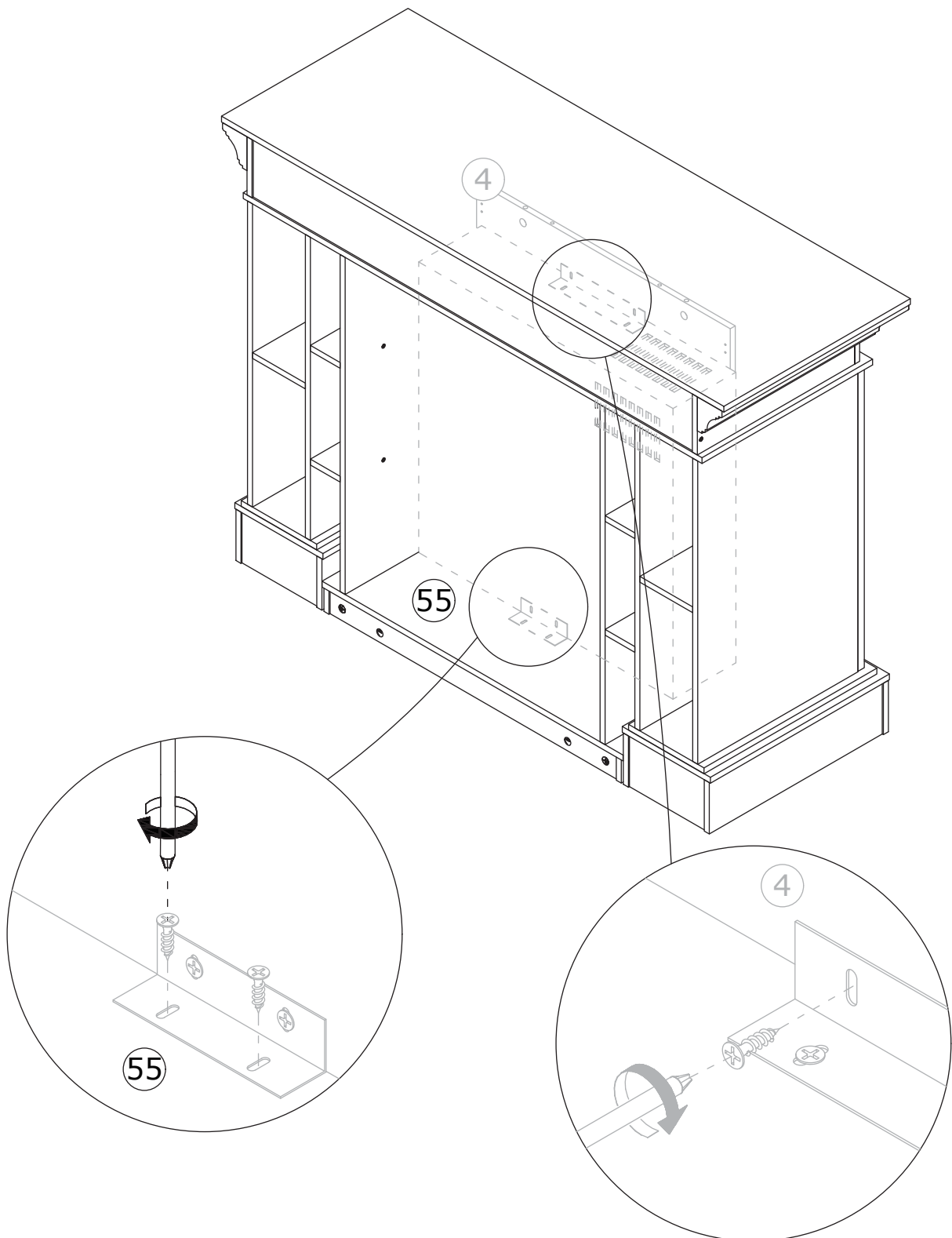


63





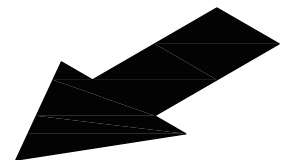
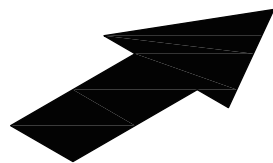
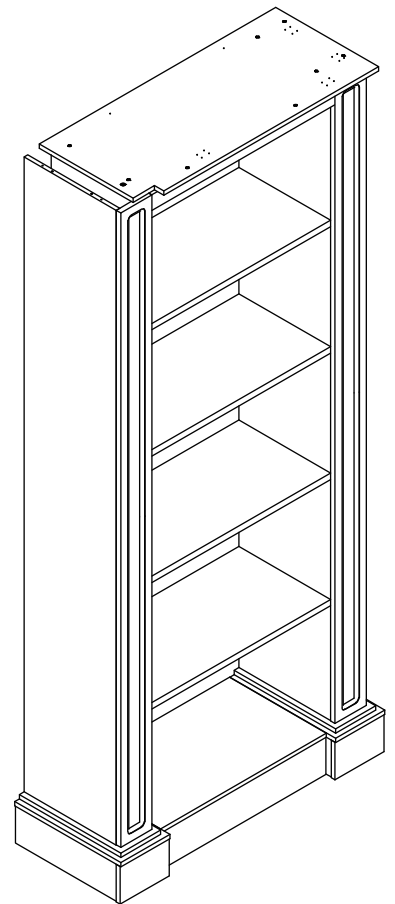
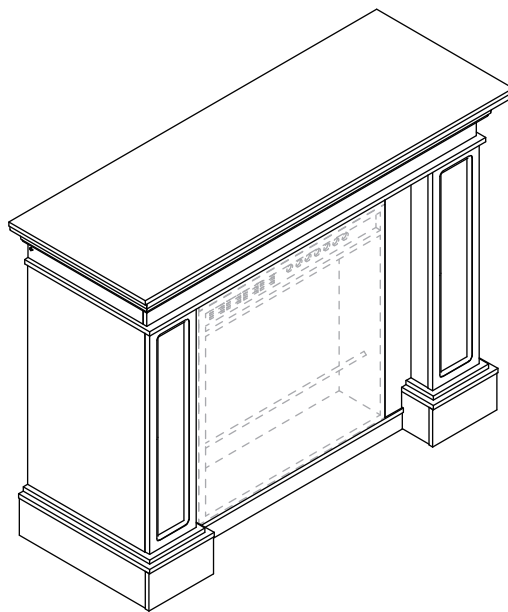
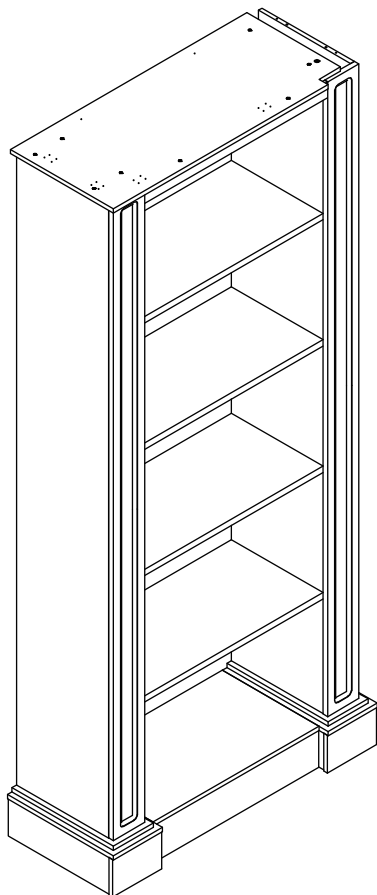
Install the fireplace you purchased into the cabinet.



65



Assemble the main body.

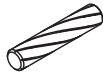


66

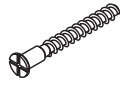
B x 3



D x 4

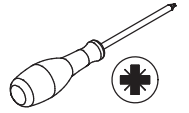


E x 8

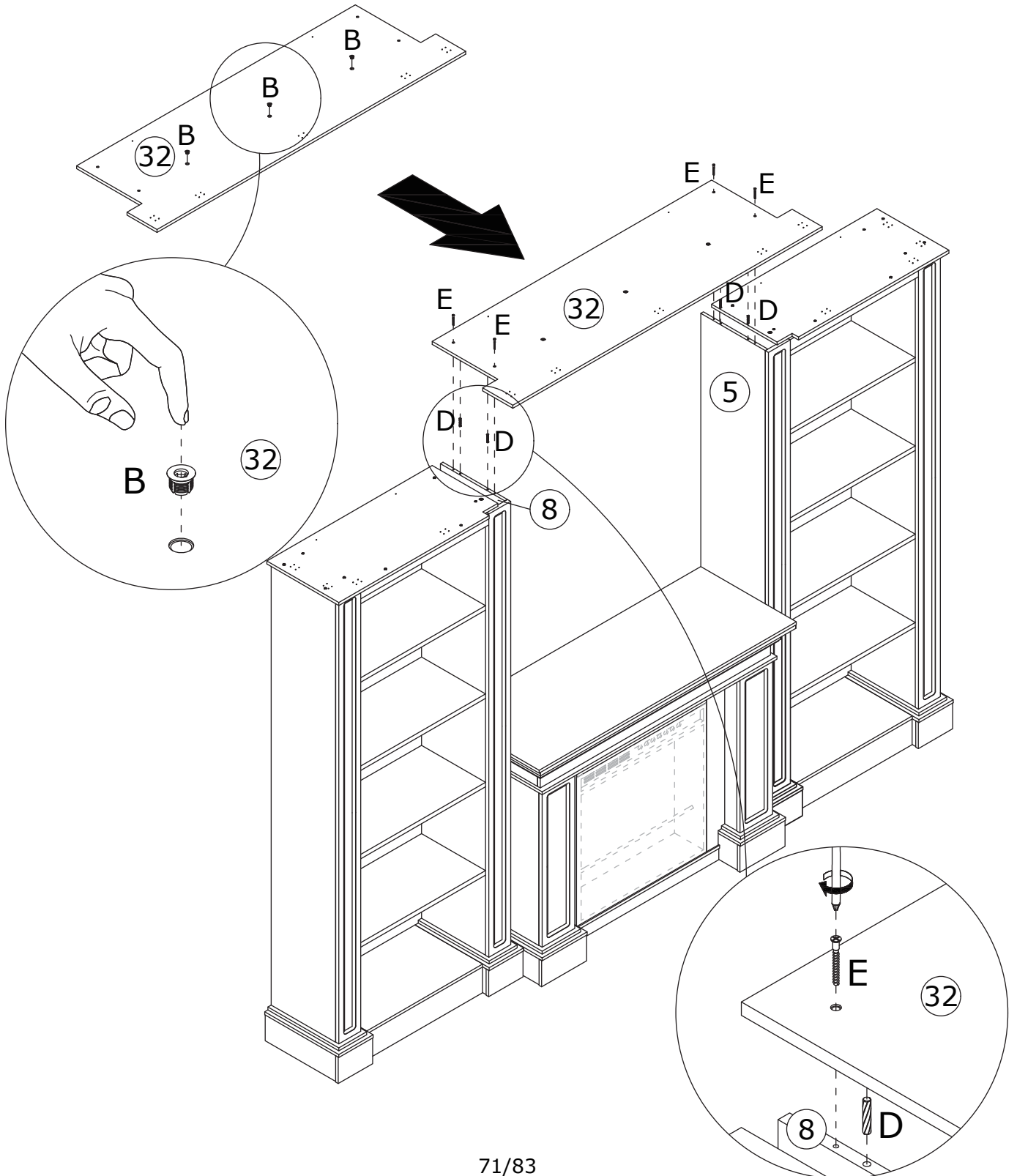
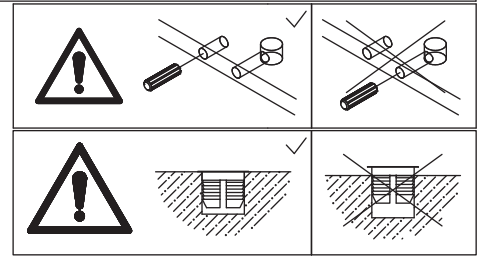


CRF0630A

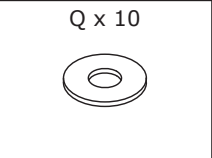
CRD0540A



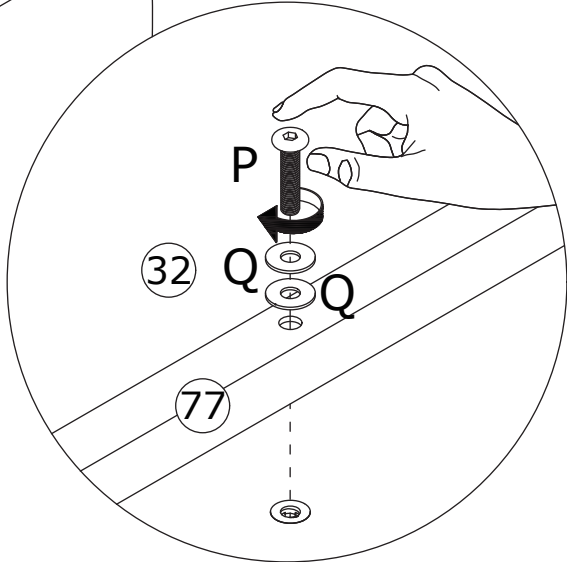
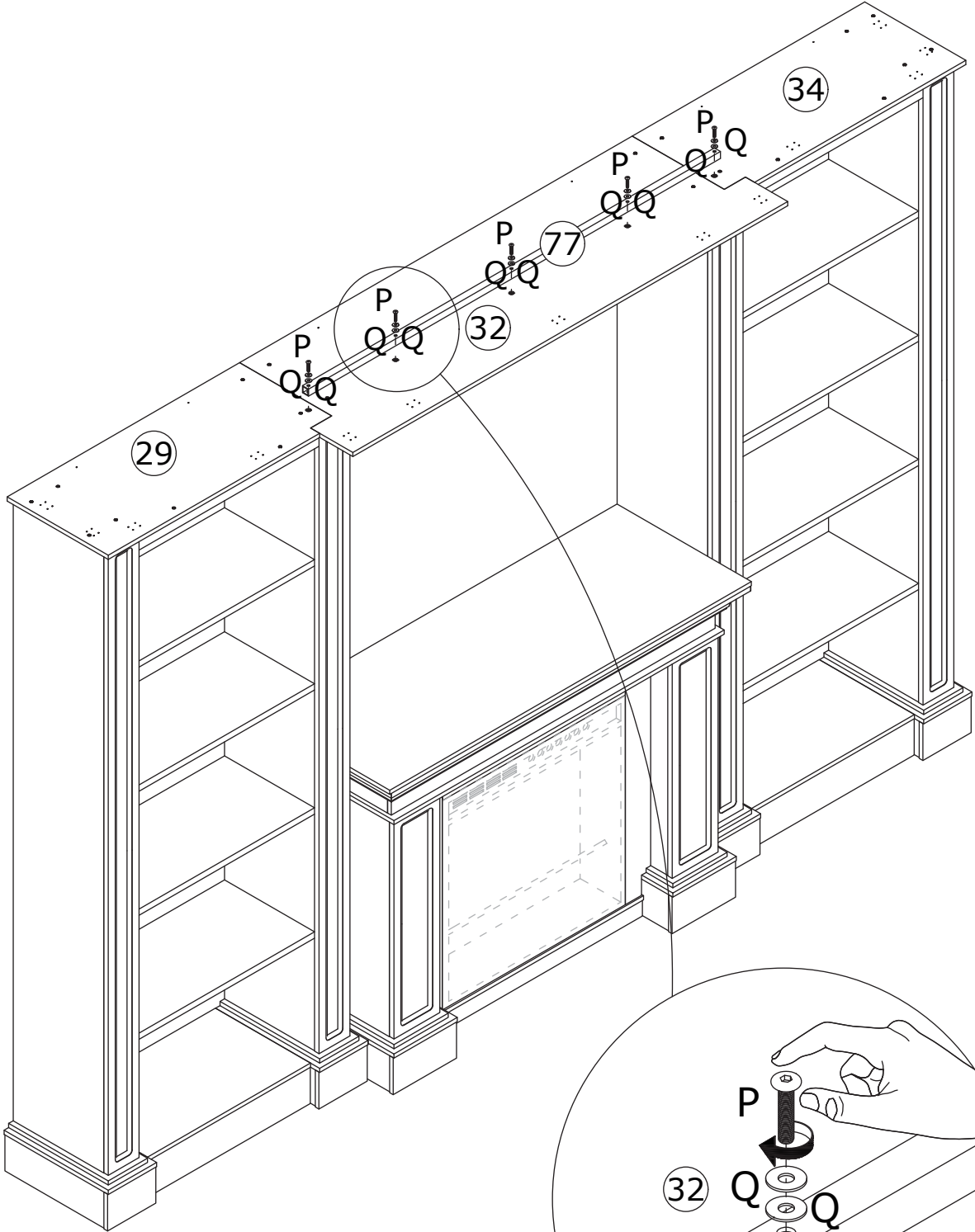
Install plugs (B) onto panel 32.
Connect panel 32 to panels 5 and 8
using dowels (D), and secure them
with screws (E).



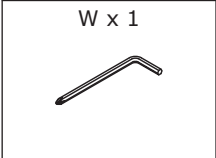
67



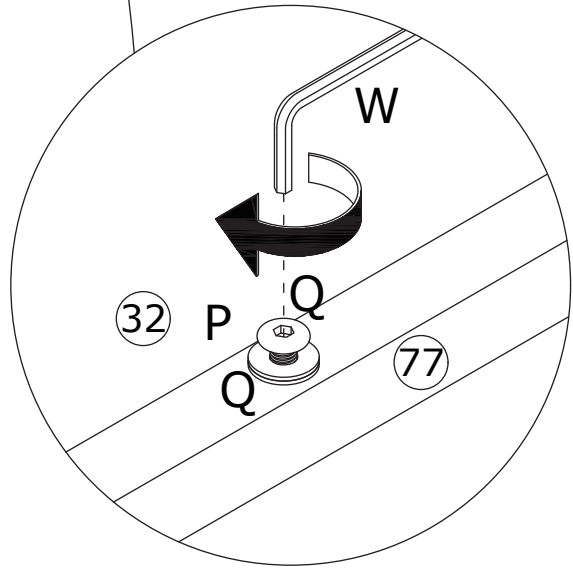
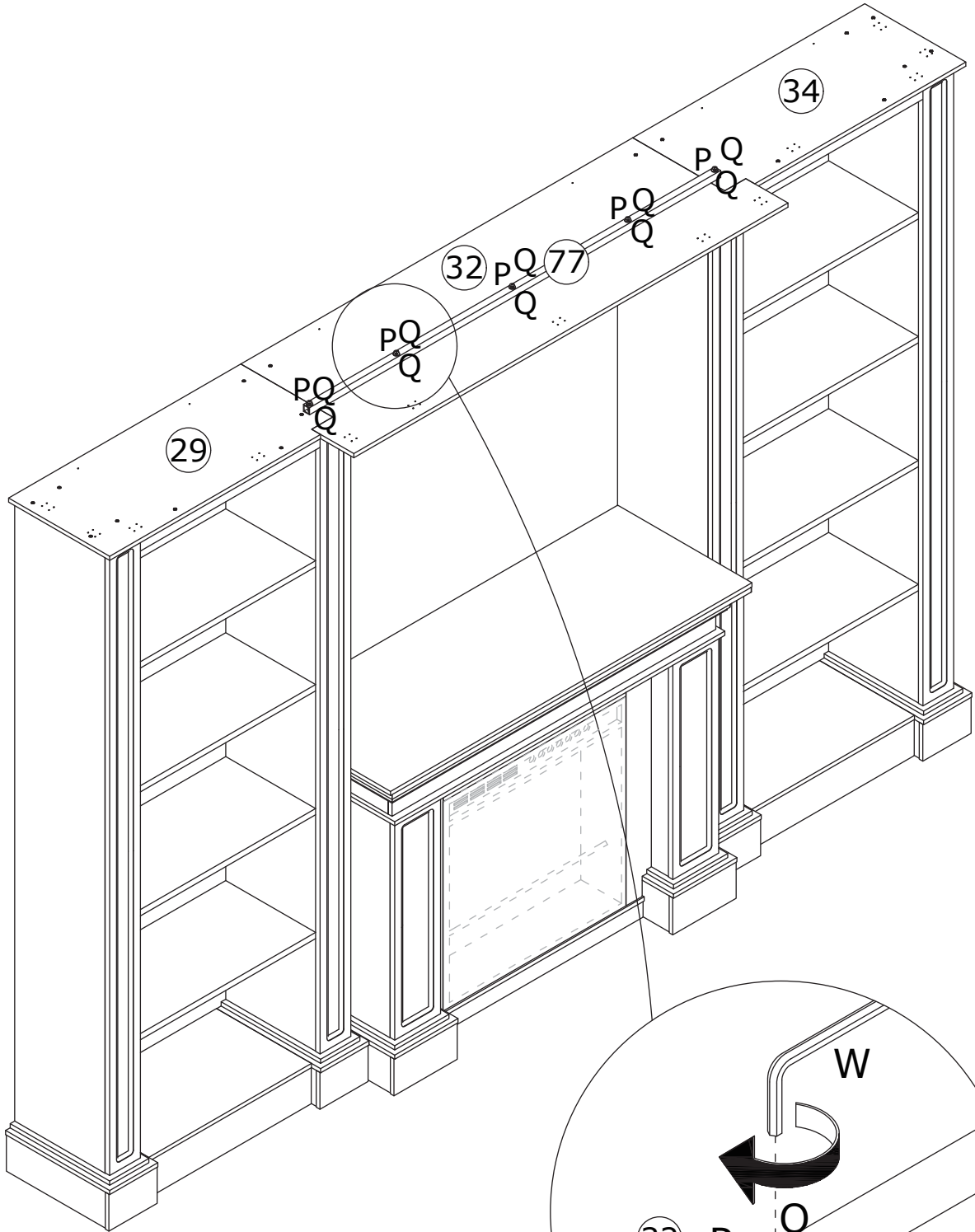
Secure tube 77 to panel 32 using screws (P) and washers (Q).



68



Use the wrench (W) to tighten the screws (P) by turning it clockwise.



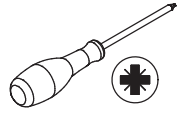
69

K x 32

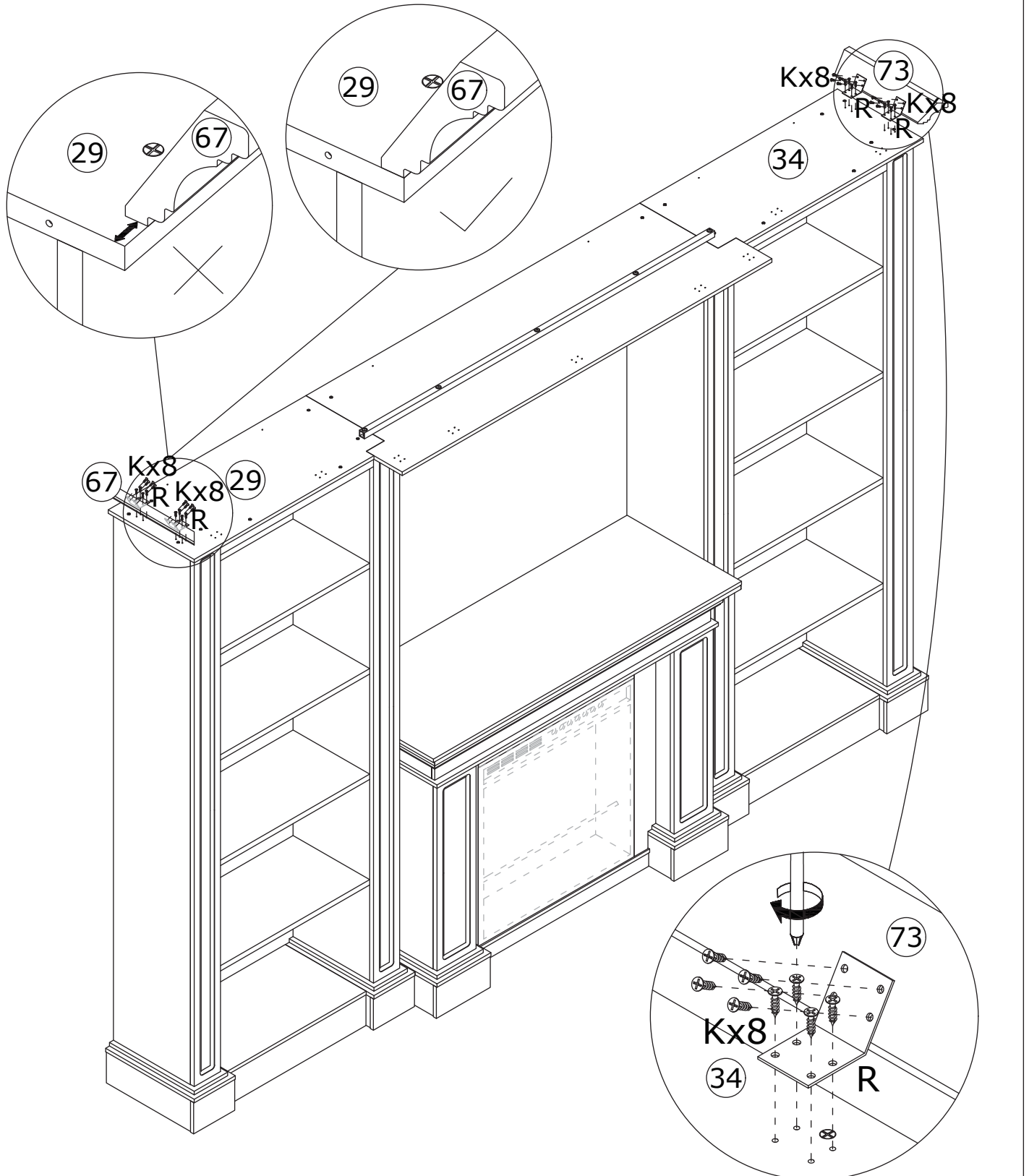


CRD3512A

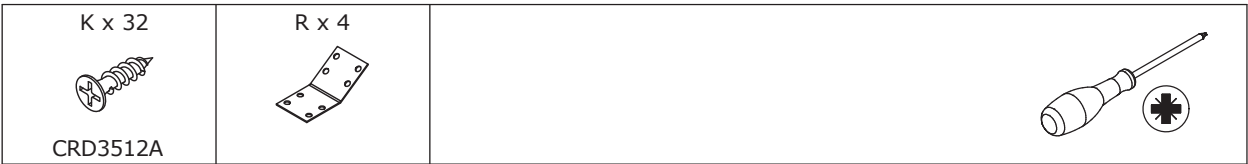
R x 4



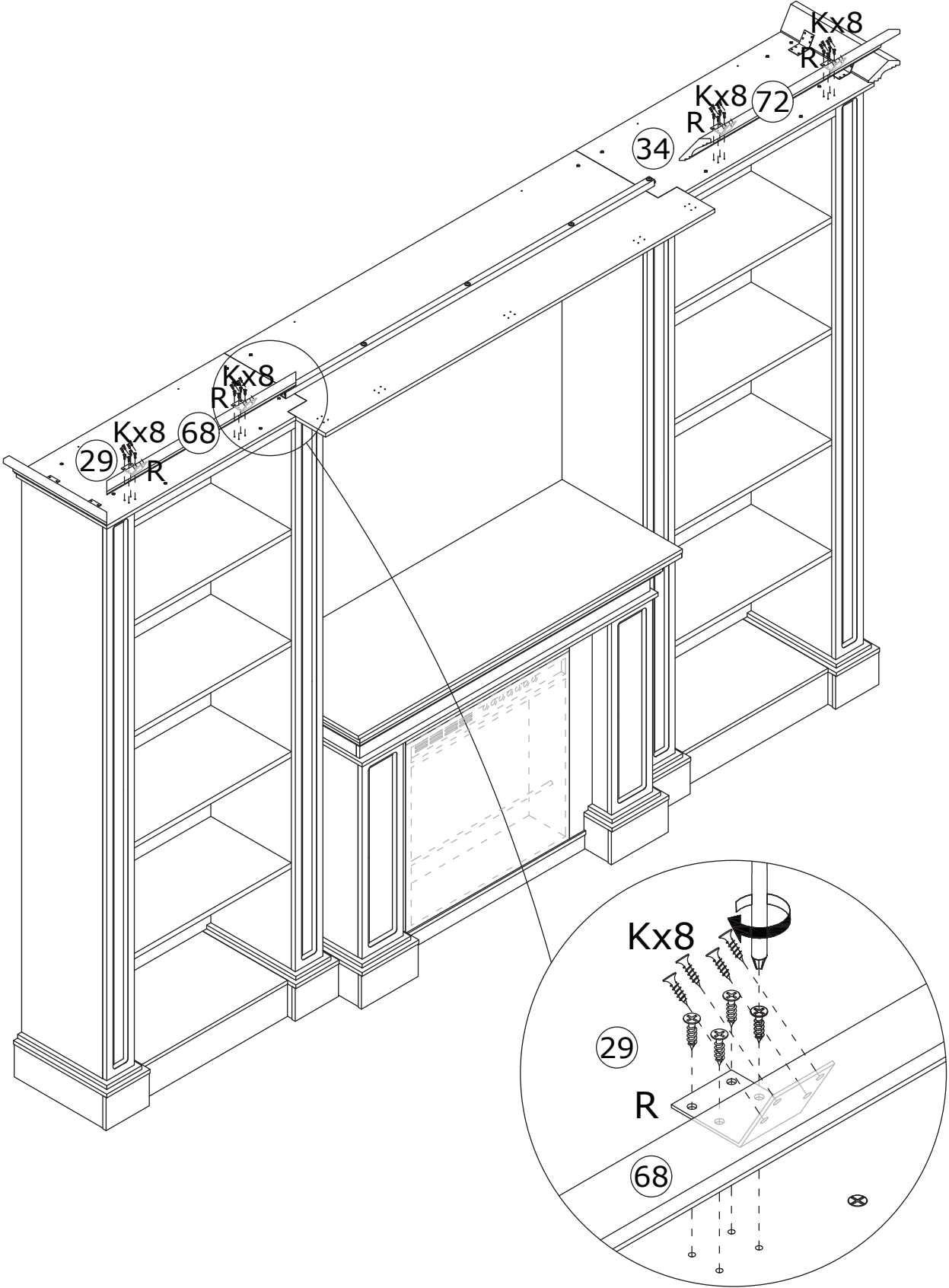
Attach panels 67 and 73 to panels 29 and 34 using screws (K) and components (R).



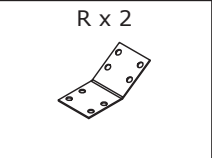
70



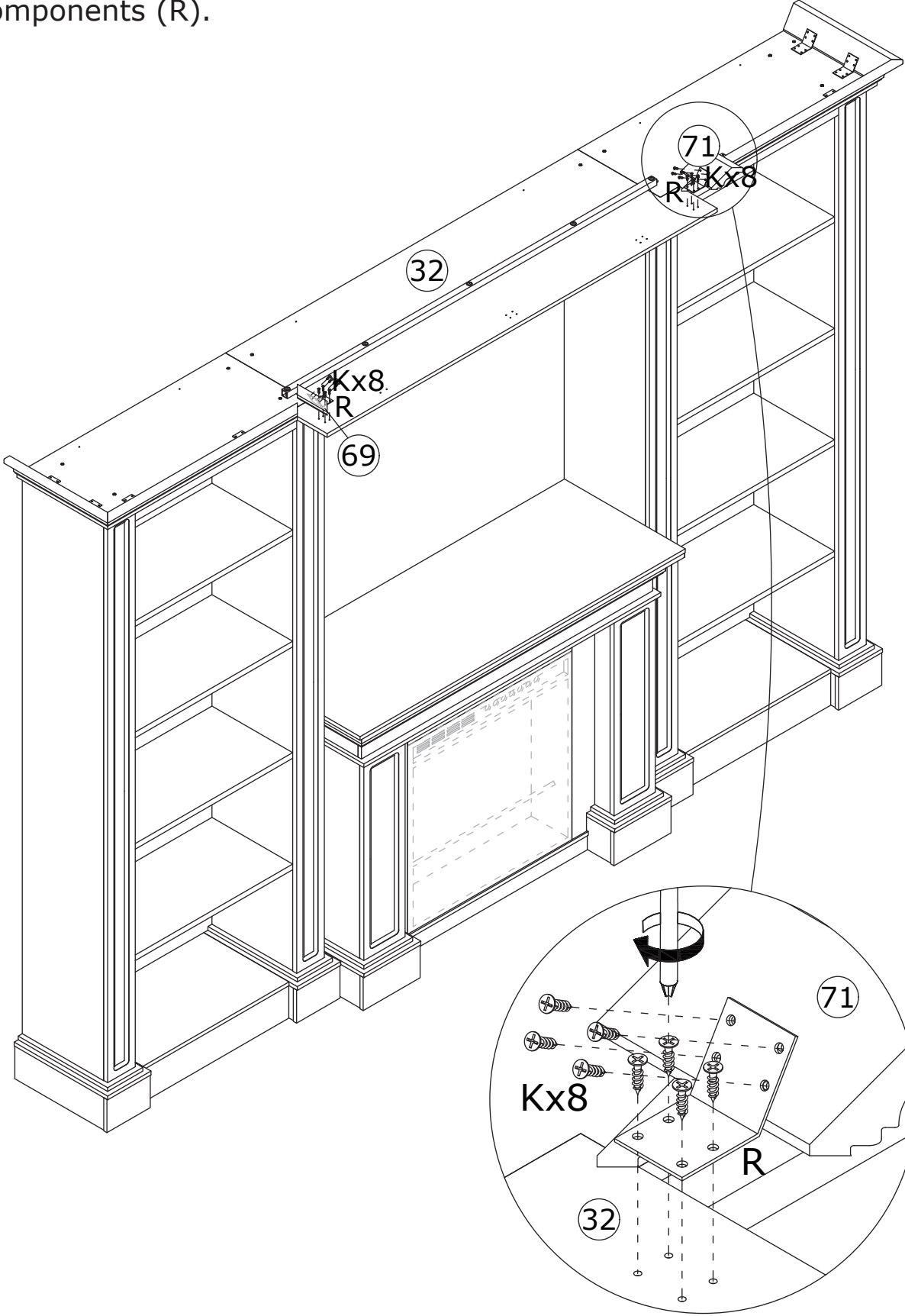
Attach panels 68 and 72 to panels 29 and 34 using screws (K) and components (R).



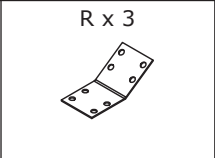
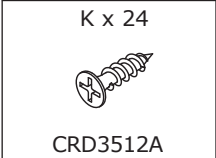
71



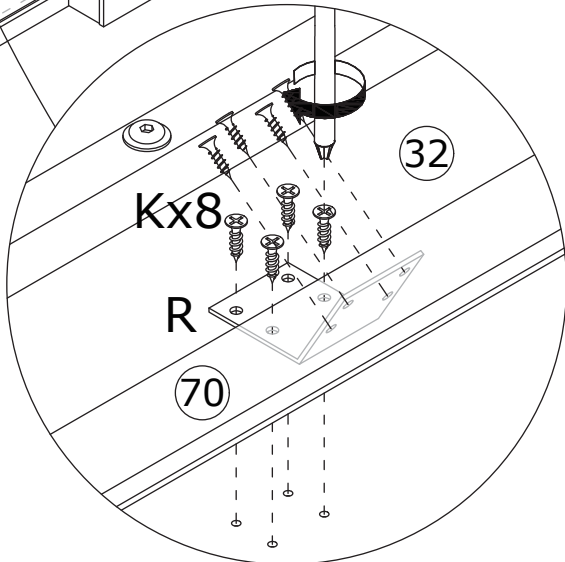
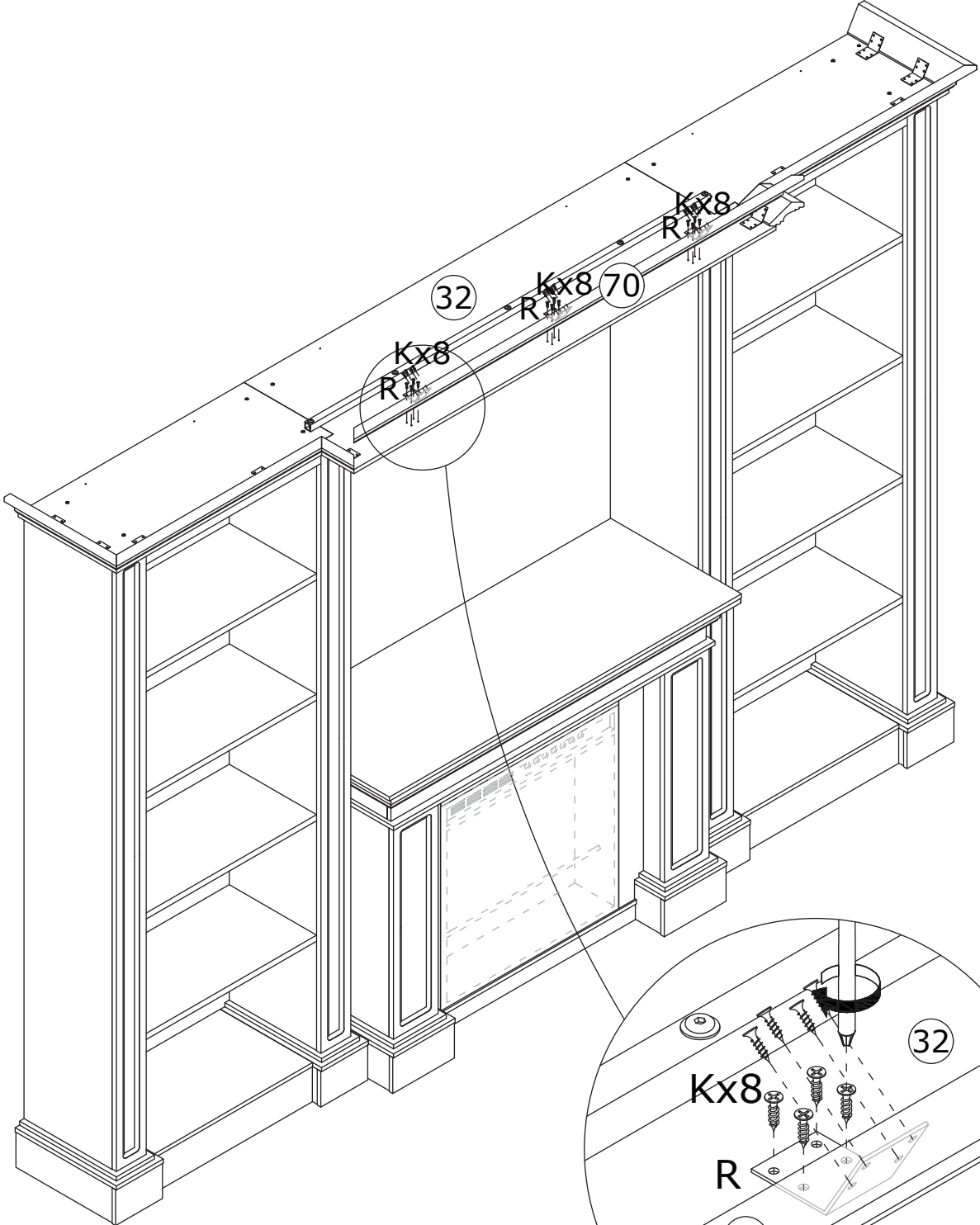
Attach panels 69 and 71 to panel 32 using screws (K) and components (R).



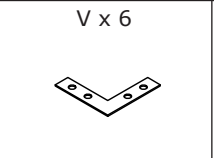
72



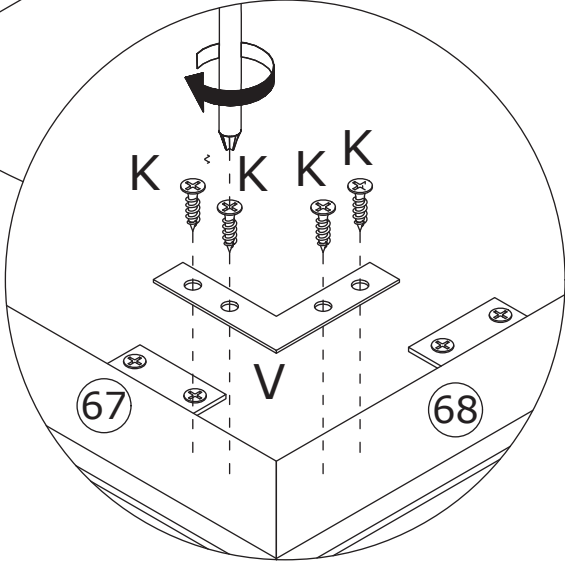
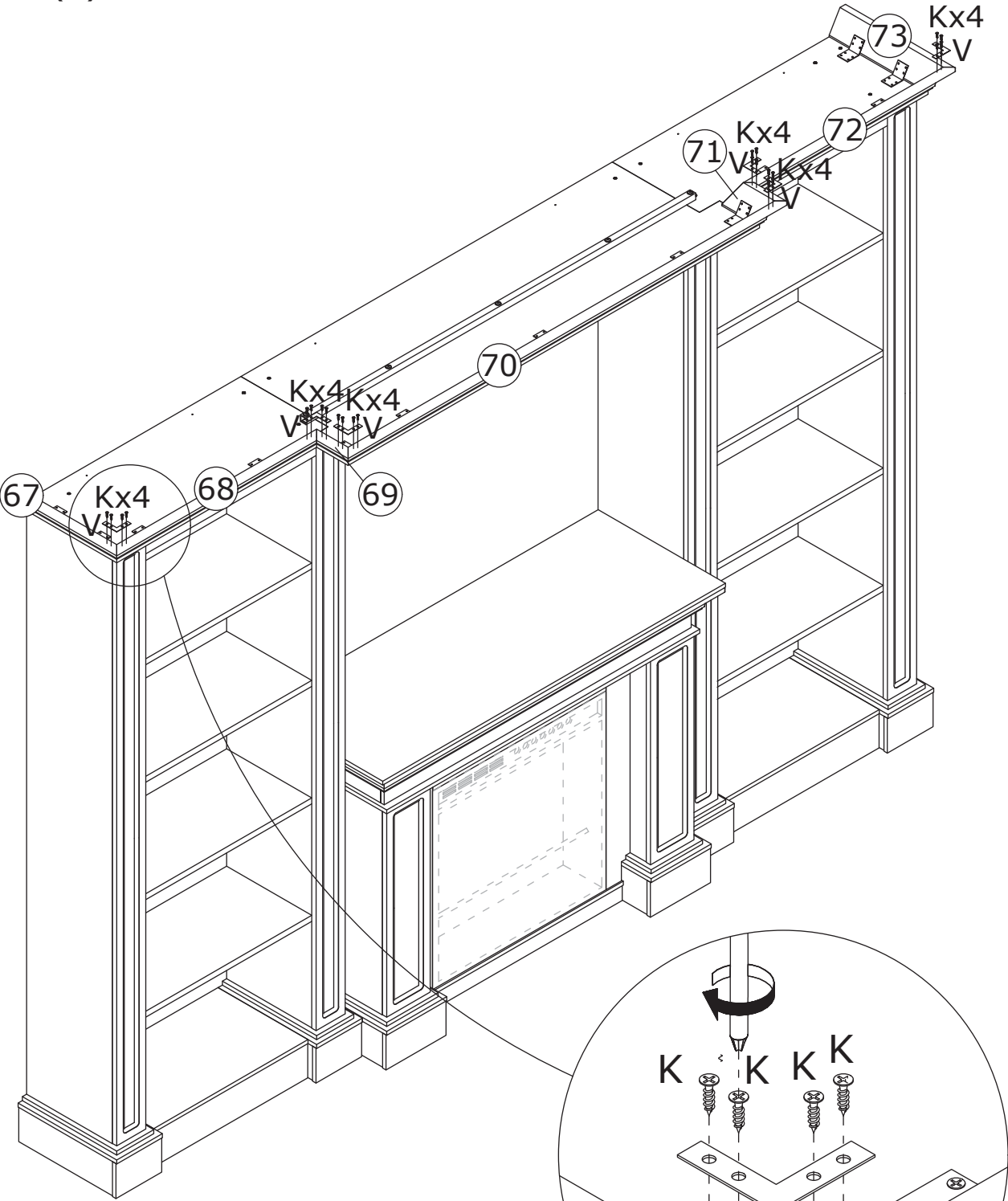
Attach panel 70 to panel 32 using screws (K) and components (R).



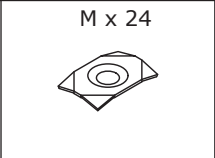
73



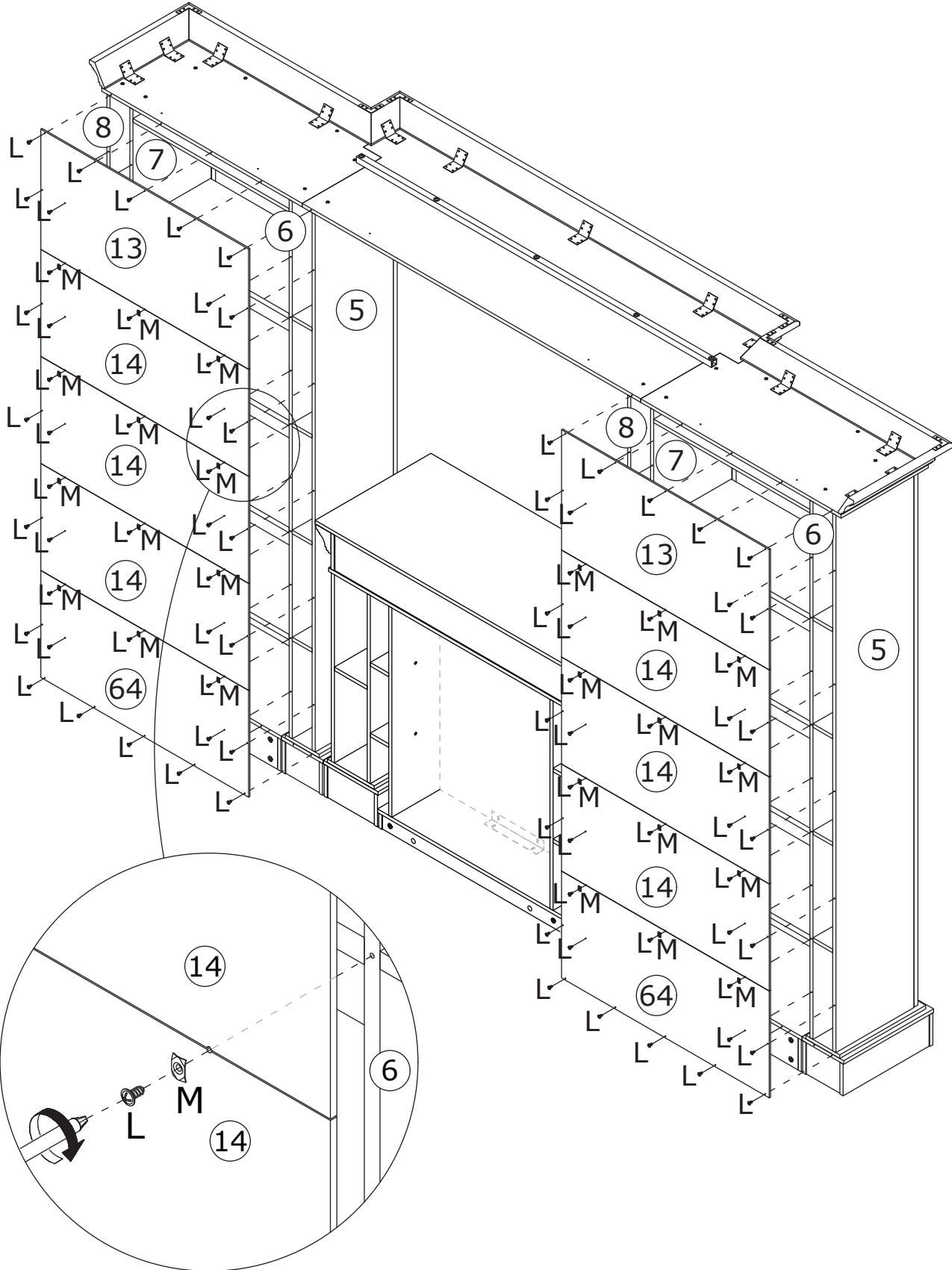
Secure component (V) to panels 67, 68, 69, 70, 71, 72, and 73 using screws (K).



74



Attach panels 13, 14, and 64 to the main body using screws (L) and components (M).



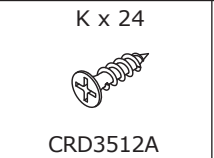
75

Move the main section to the wall.

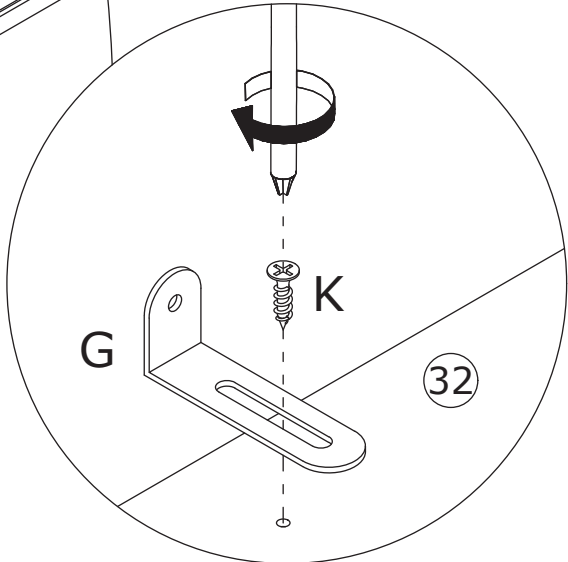
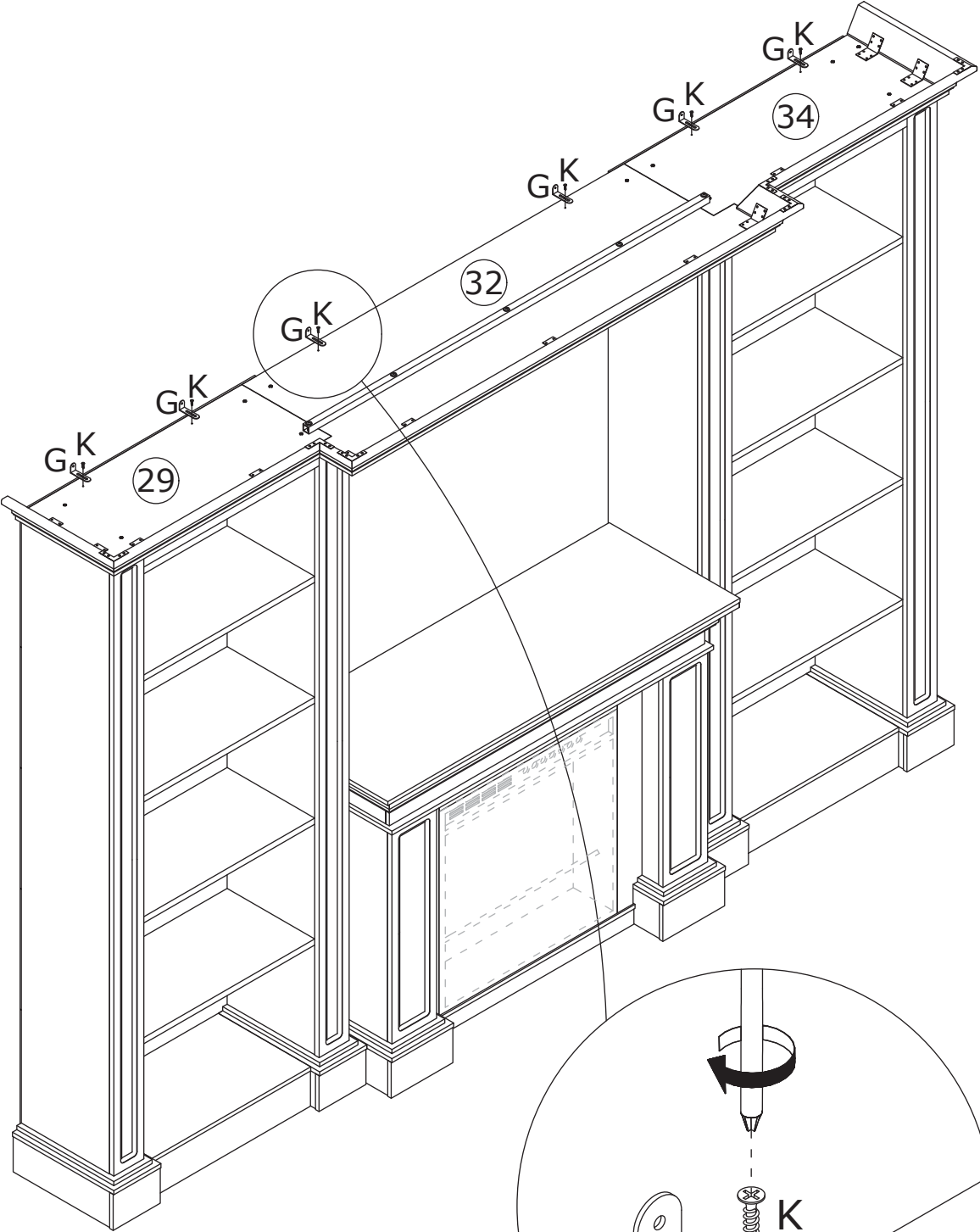
WALL



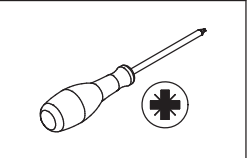
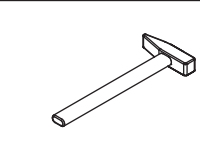
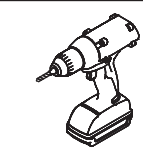
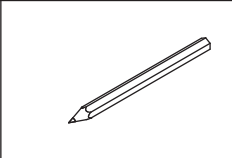
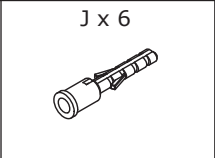
76



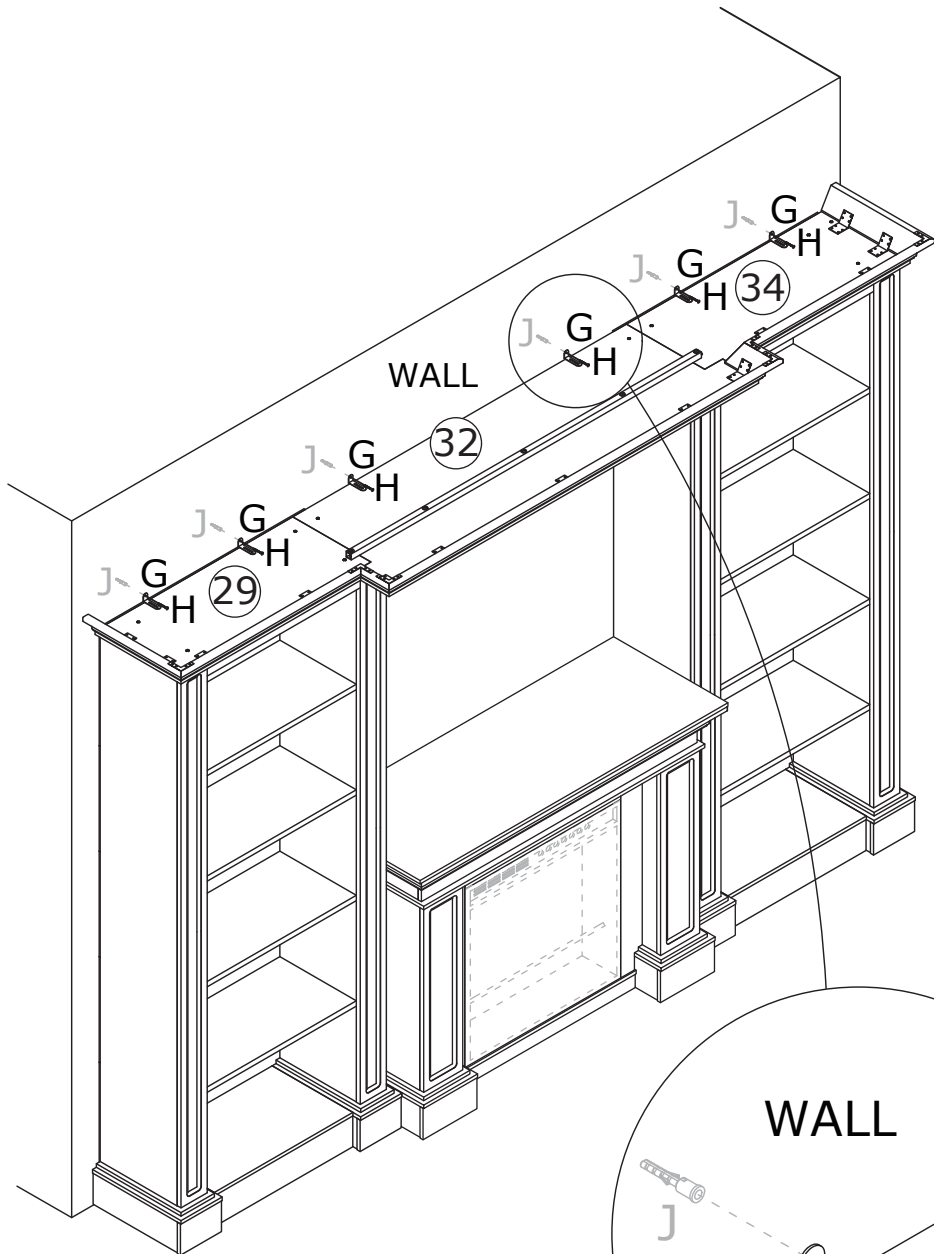
Secure components (G) to panels 29, 32, and 34 using screws (K).



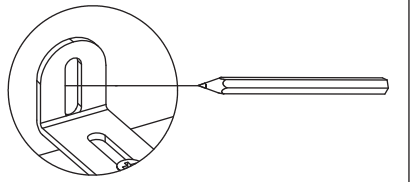
77



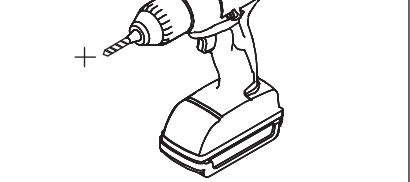
Install anti-tip device.



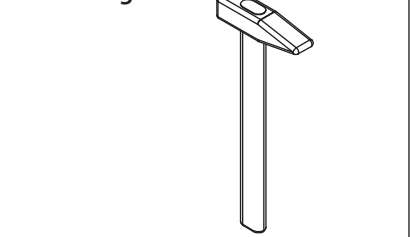
1.



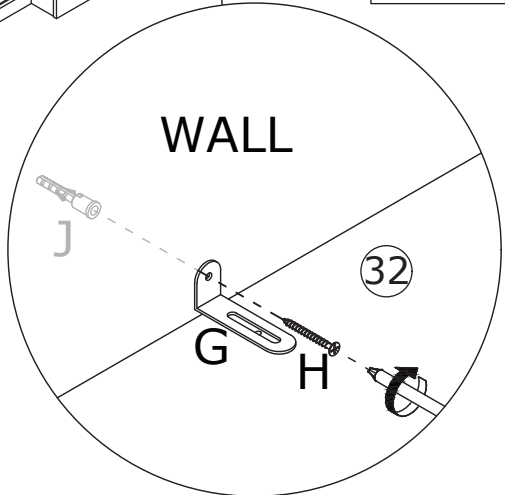
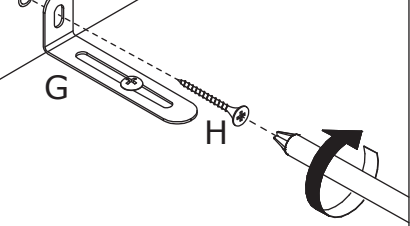
2.



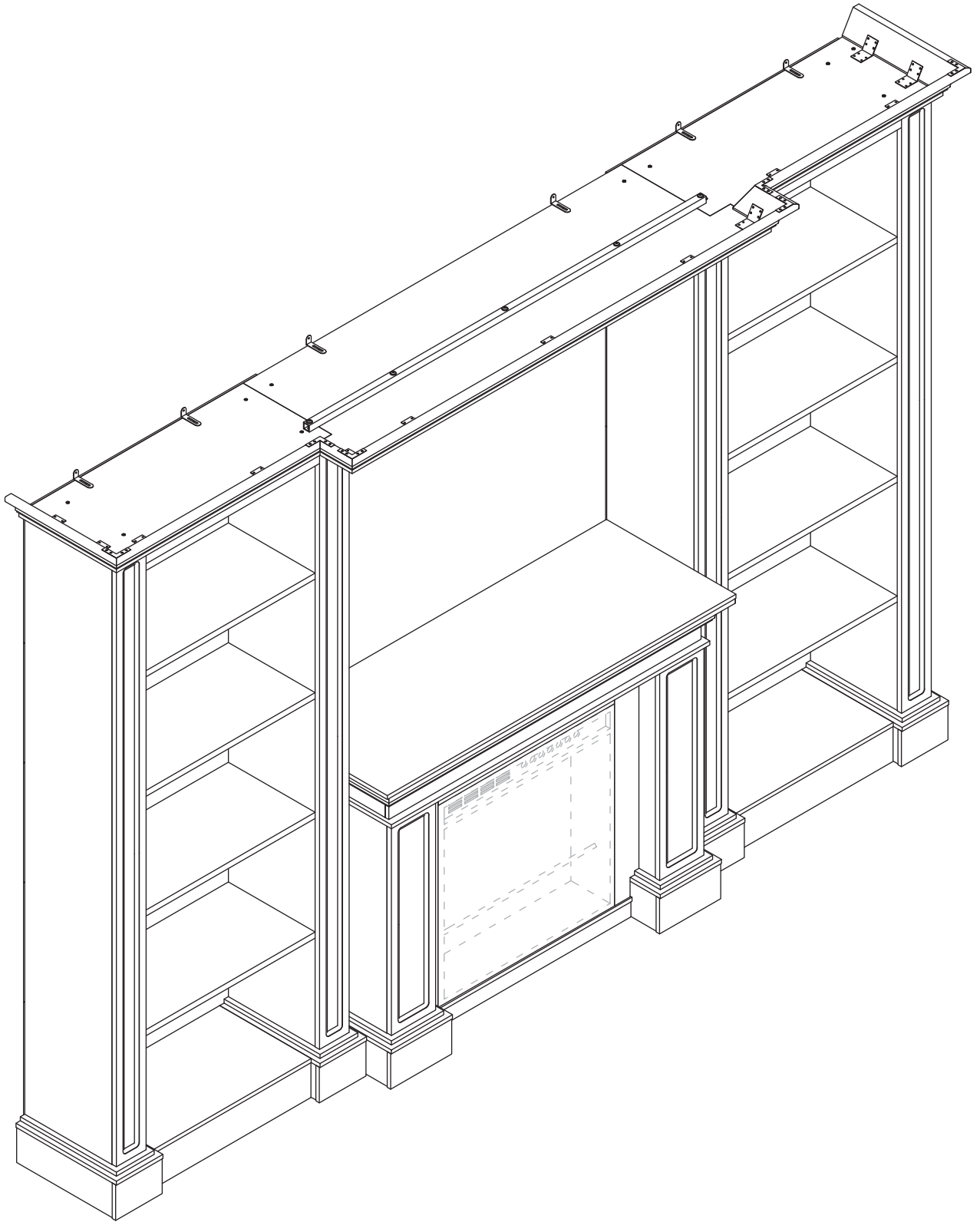
3.



4.



78



WARRANTY

WARRANTY CLAIMS

- There is a 30-day warranty for broken furniture or any other problems that do not work properly. The warranty will start from the date of purchase which must be verified by proof of purchase.
- Before making a claim, we may be able to answer your query, simply call us. Please leave your purchase order number, along with some details of the problem, if you want a replacement part. We will arrange within 48 hours. If there is out of stock, we will reply with a shipping date.
- The product must be used in accordance with the instructions provided. For health reasons.
- For other reasons, if the furniture needs to be returned, it must be cleaned and dried and operated within 30 days of receipt.

Type of Warranty Claim

- Failure to follow the furniture instructions will invalidate the warranty. Attention please.
- Does not include damage during installation, but includes damage during transportation.

Scope of responsibility

- Shall not bear any responsibility for misuse or user damage and / or loss of parts during the installation of furniture.
- After using, the damage and scratches of the furniture are not covered by the warranty.

The Warranty Relates to All Bought in The Us and Covers The Following Areas

- Sheet parts: 1 month from the date of purchase.
- Electrical parts: 1 month from the date of purchase.

RETURNS

CHANGED YOUR MIND AND NEED TO RETURN YOU ITEM?

PLEASE FOLLOW THE BELOW INSTRUCTIONS:

- If you have purchased and have simply changed your mind, follow the retailer's instructions for returns.

DEFECTIVE ITEMS

- If your item is defective in any way, i.e. it doesn't work but you can't identify why, in the first instance, please call us.

DAMAGED ITEMS

- If you receive an order with obvious shipping damage from the retailer, then we suggest the delivery is refused. If the delivery has been accepted and then shipping damage is found, please follow the specific instructions advised by the retailer.
In all circumstances please save all packaging material and paperwork for the order. Please be aware that if you dispose of packaging material or attempt to return the merchandise without contacting the fulfiller, you jeopardise your chances of making a claim, and you may not receive a credit for the return.