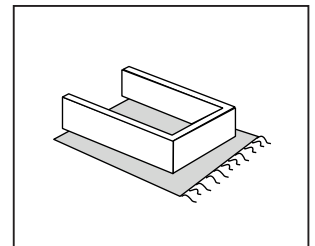
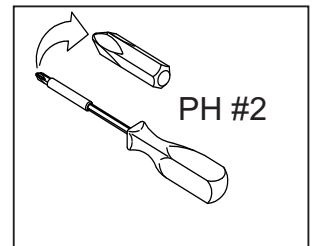
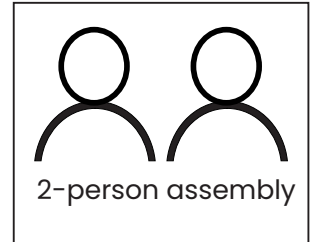
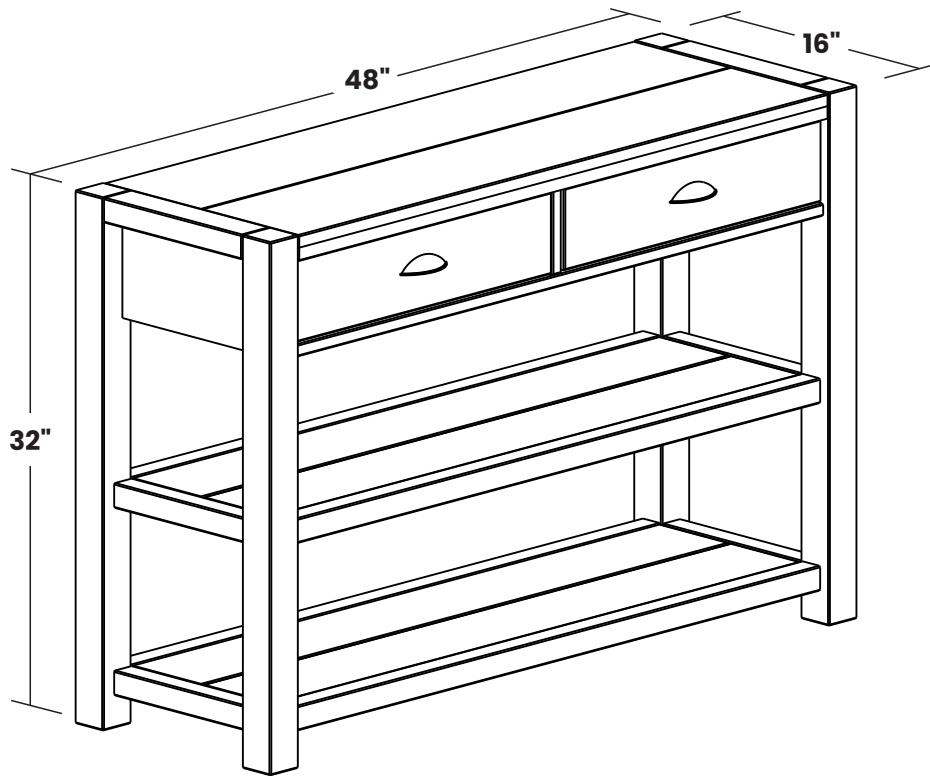


Assembly Instructions



Model #	Finish
MT2611	Rustic Walnut
MT2624	Driftwood

Thank you for choosing Grain Wood Furniture! We're honored to be part of your home. If you have any questions, feedback, or need replacement parts, please contact us at: grainwoodfurniture.com/help or support@grainwoodfurniture.com

Montauk Collection
Console Table

GrainWood
FURNITURE.COM

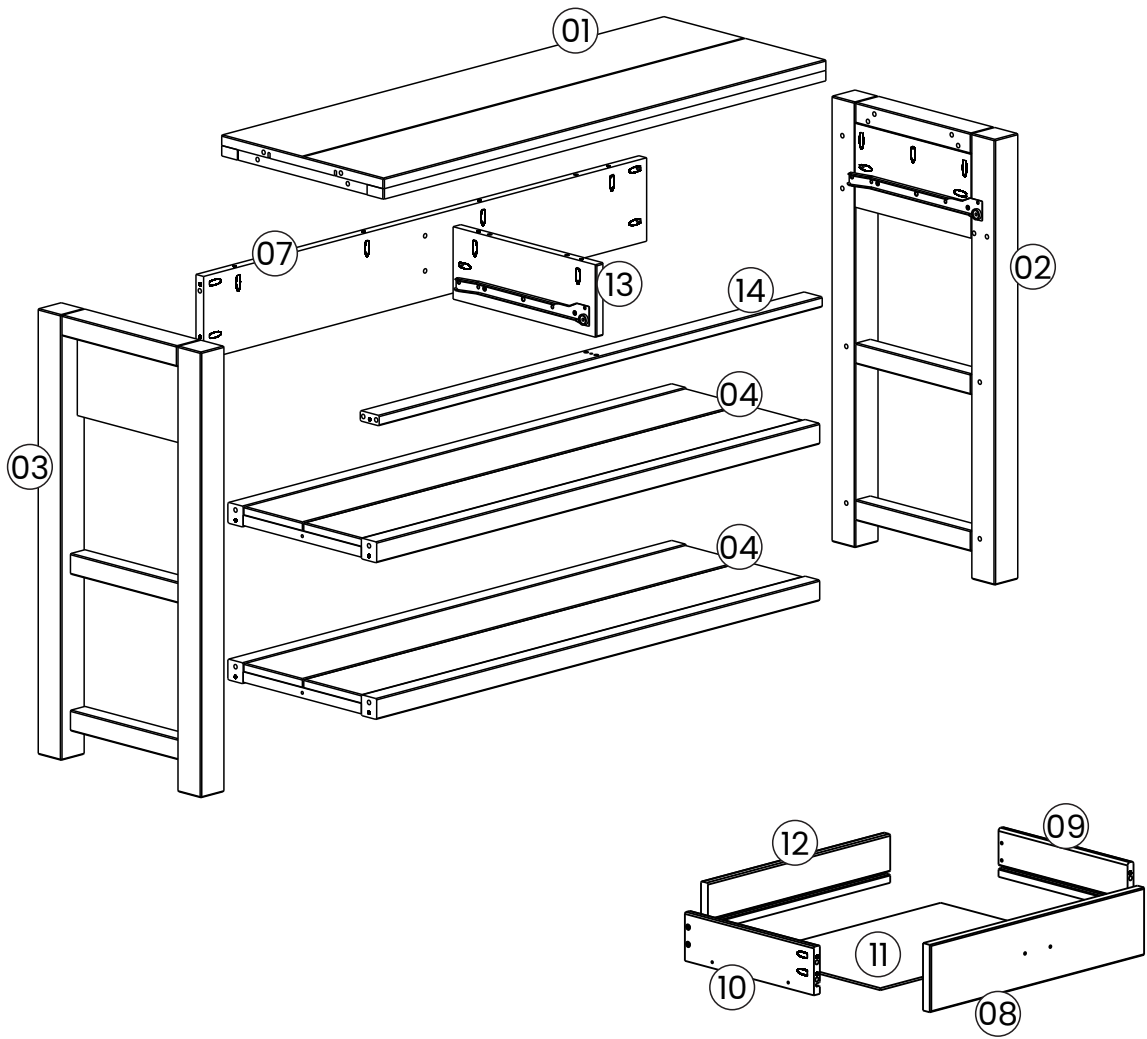
PLEASE READ BELOW BEFORE BEGINNING ASSEMBLY

- Enlist help from a friend or family member as most items require two people for proper assembly.
- Choose a spacious, open area near where the piece will be located once assembled. It is easier to move parts than to relocate the furniture after it is fully assembled.
- Do not throw away packaging material until assembly is complete.
- Assemble the item on a soft surface, such as cardboard or an old blanket in order to protect the finish from possible dents or scratches.
- Lay out the parts in order and count them twice. In case any parts are missing or damaged, document the problem with pictures and contact support so we can make it right.
- Solid wood furniture may present imperfections such as wood knots, minor splits or cracks which are a natural aspect of the material. Whenever stability of the furniture is not compromised, we recommend customers perform cosmetic touch-ups with wax crayon fillers sold at all major hardware stores.
- It is best to use the tools provided in the box, such as a hex key, because they may be specially sized for the piece of furniture.
- We do not recommend the use of power drills as they can damage your furniture if not used correctly.
- Use a carpenter's square or hardcover book to check angles when assembling drawers and doors. If they are not at 90 degrees, they will not close properly.
- If you have any problems, we are here to help. Just go to grainwoodfurniture.com/help.
- See grainwoodfurniture.com/care-guide for suggestions that will help your furniture last for years.



grainwoodfurniture.com/assembly-troubleshooting

Enjoy your 100% solid wood furniture!

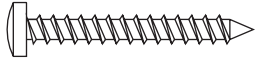

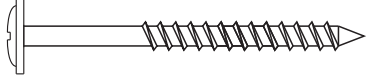
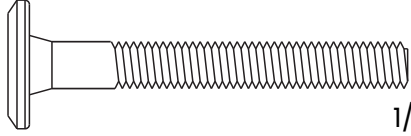

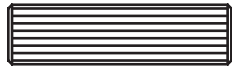
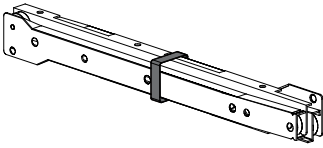





BOX 1

Part #	Description	Qty.
01	Top	1
02	Right Side	1
03	Left Side	1
04	Shelf	2
07	Back panel	1
08	Drawer front	2
09	Drawer right side	2
10	Drawer left side	2
11	Drawer bottom	2
12	Drawer back	2
13	Division	1
14	Crosspiece	1

HW	Hardware	1
----	----------	---

HARDWARE LIST

A1	 4,0x30	23+2
A15	 M4x22	4+2
A40	 4,0x45	19+2
B20	 1/4"X50 ø17	4+2
B31	 6,0x10	16+2
C1	 8x30	36+2
E13		2
E14		2
G13	 4,0	2
G17	 50x50	4
H6	 PZ04	2



ATTENTION

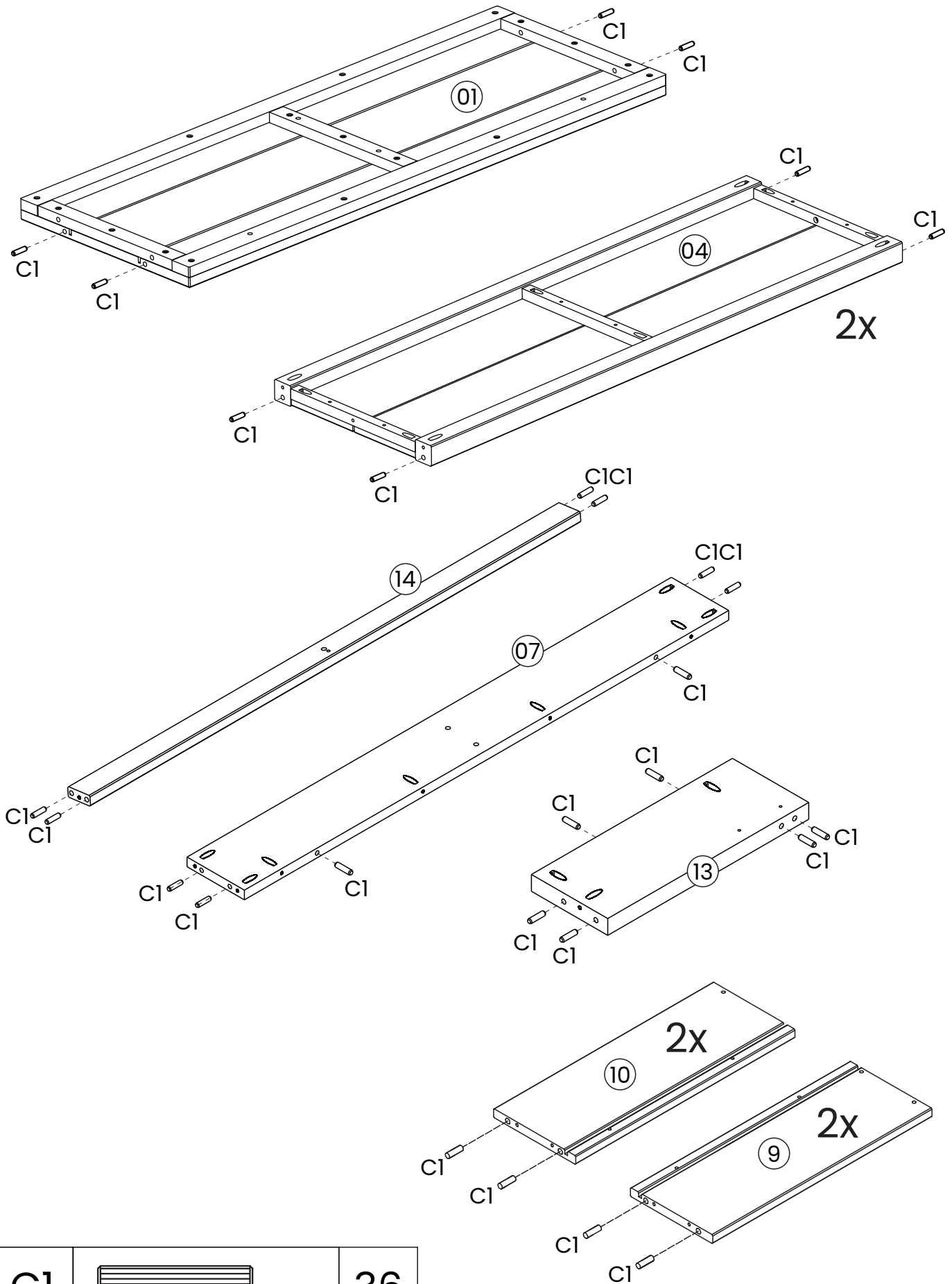
Before starting assembly please verify the hardware set is complete.


For missing hardware please contact us at grainwoodfurniture.com/help

WARNING: CHOKING HAZARD

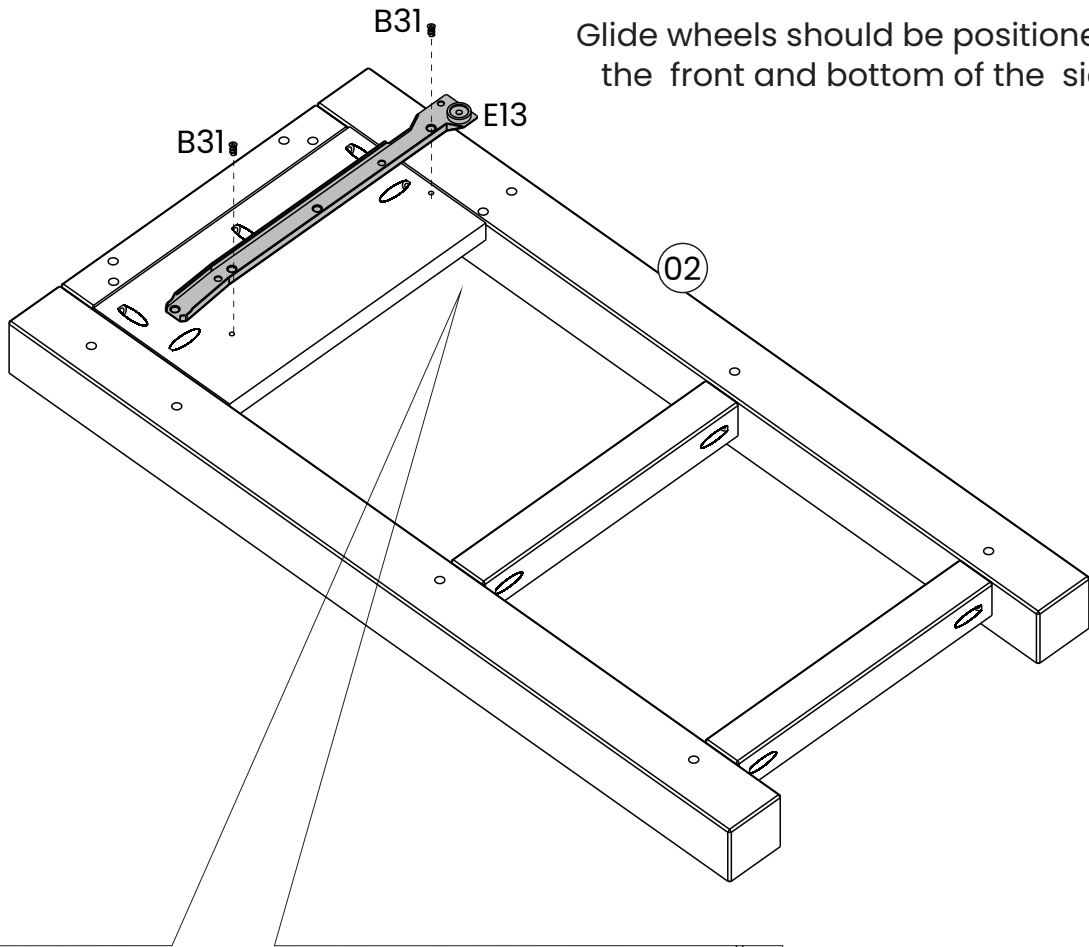
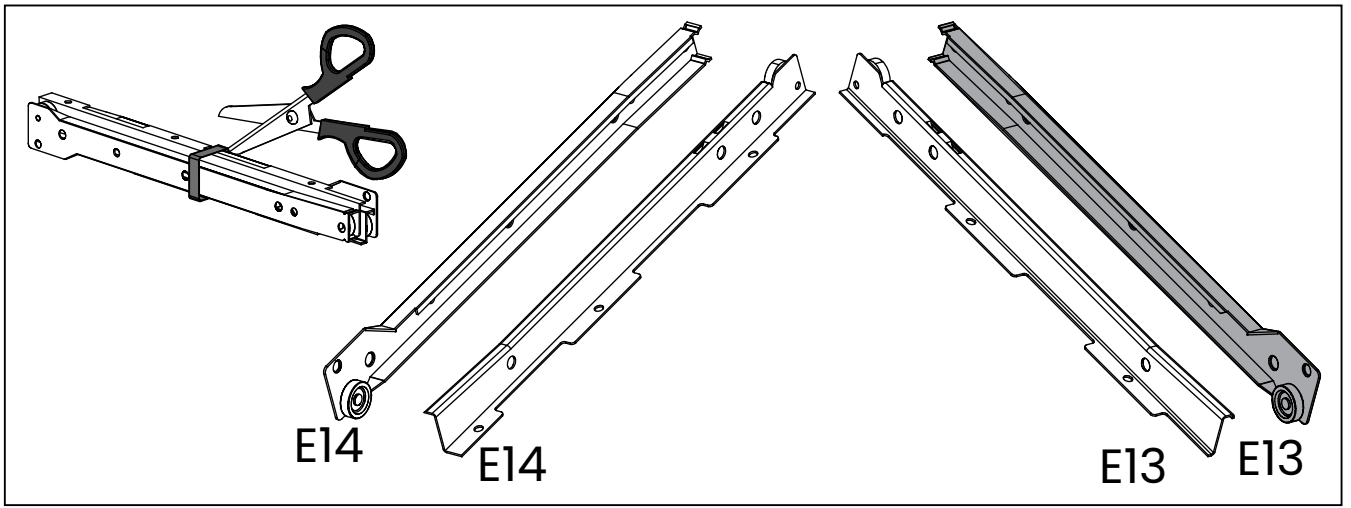
Small parts, not for children.
To be assembled by an adult.

1) Tip: Use a rug or cardboard for floor protection.

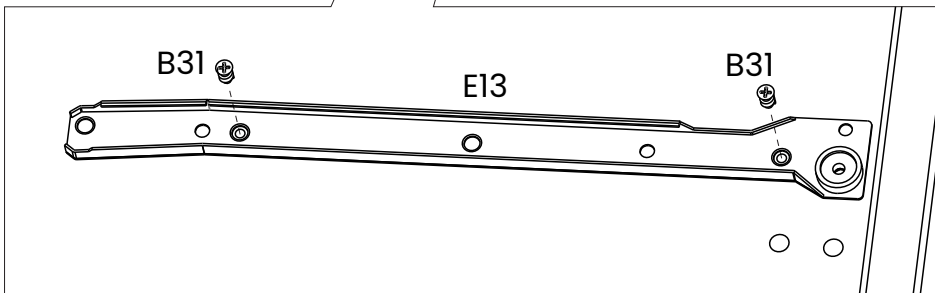


C1		8X30	36
----	---	------	----

2)


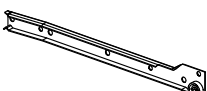


Glide wheels should be positioned towards the front and bottom of the side panel.

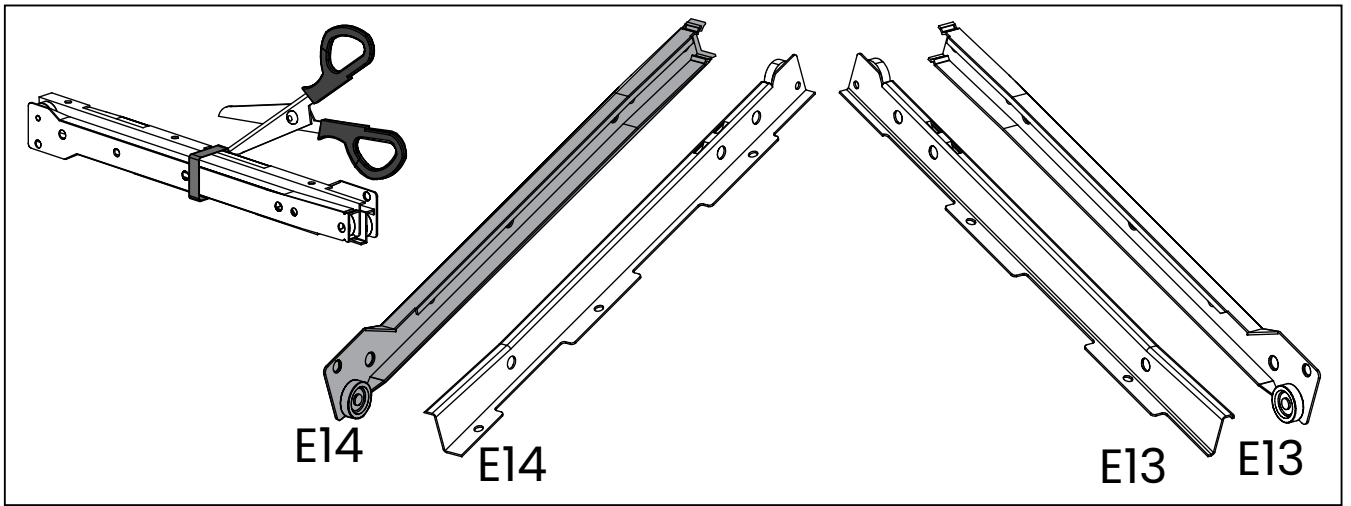


Need help?
Scan the QR code.

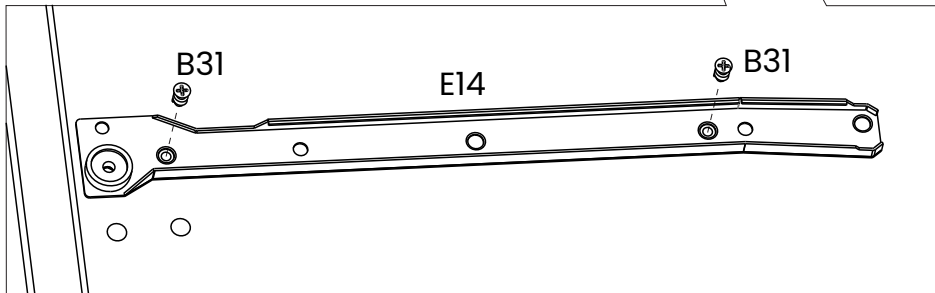
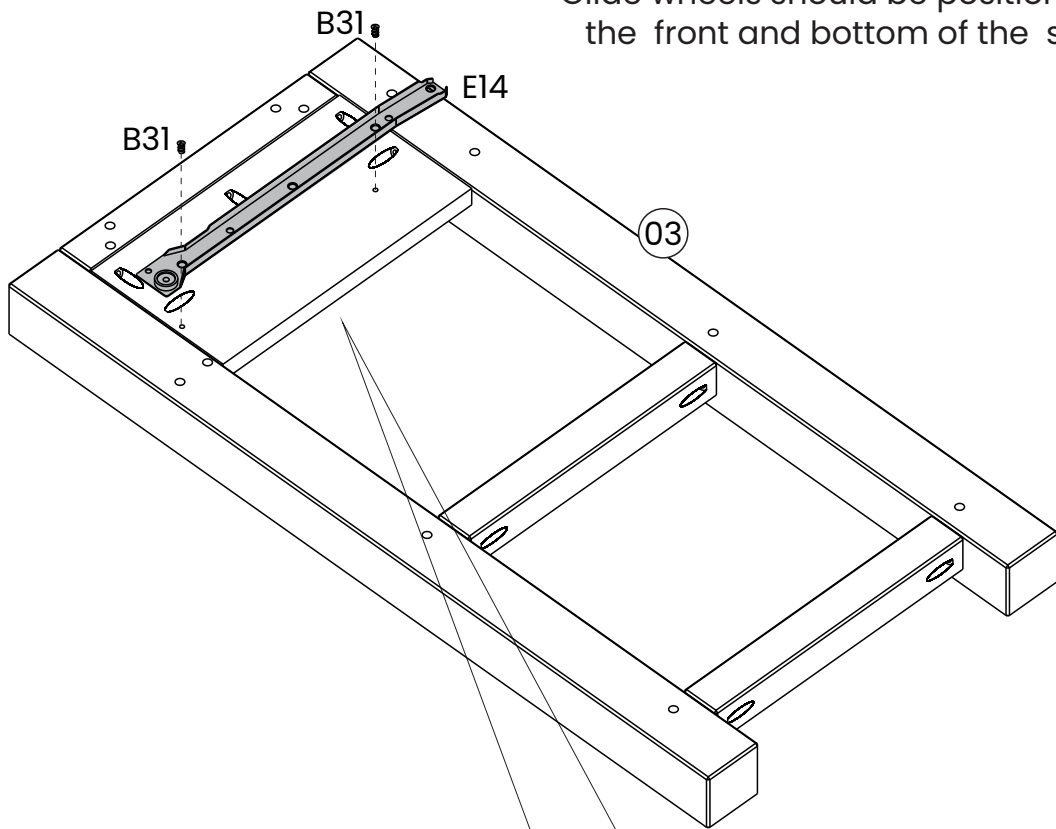



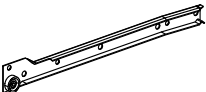
B31		6,0X10	2
E13		RIGHT Side	1

3)



Glide wheels should be positioned towards the front and bottom of the side panel.

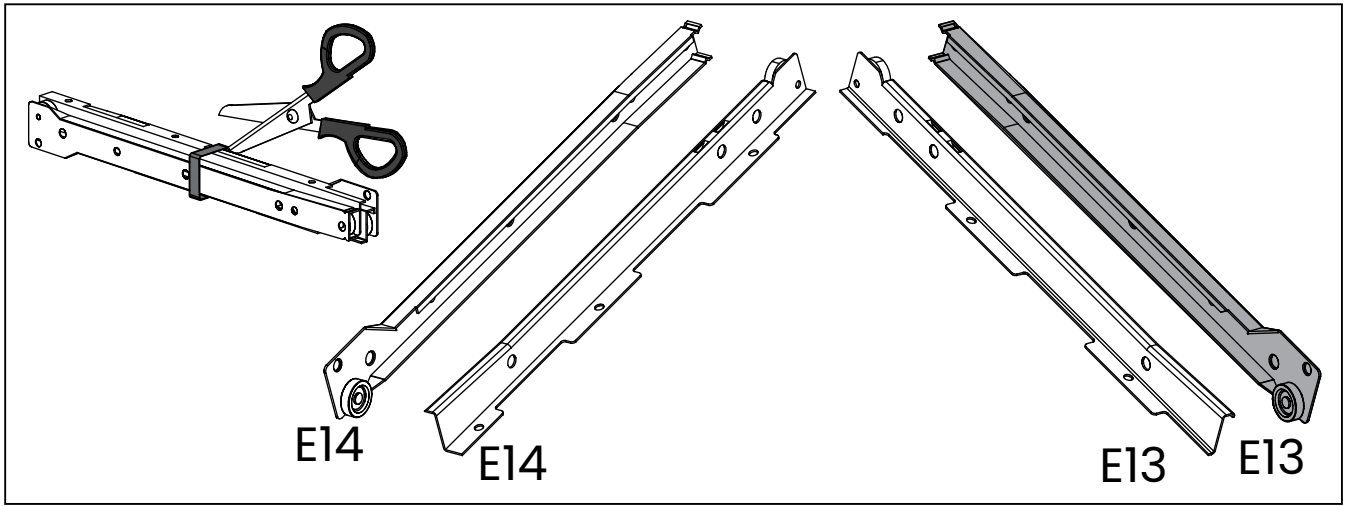


B31		6,0X10	2
E14		LEFT Side	1

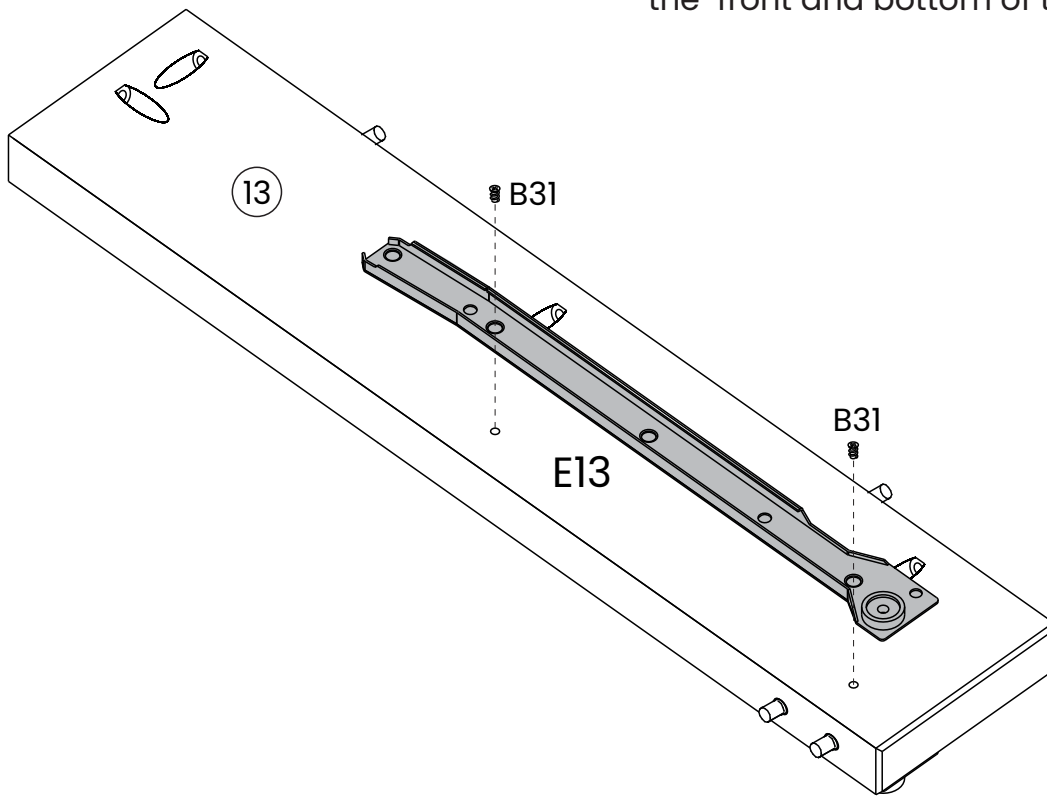
Need help?
Scan the QR code.


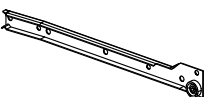


4)



Glide wheels should be positioned towards the front and bottom of the side panel.

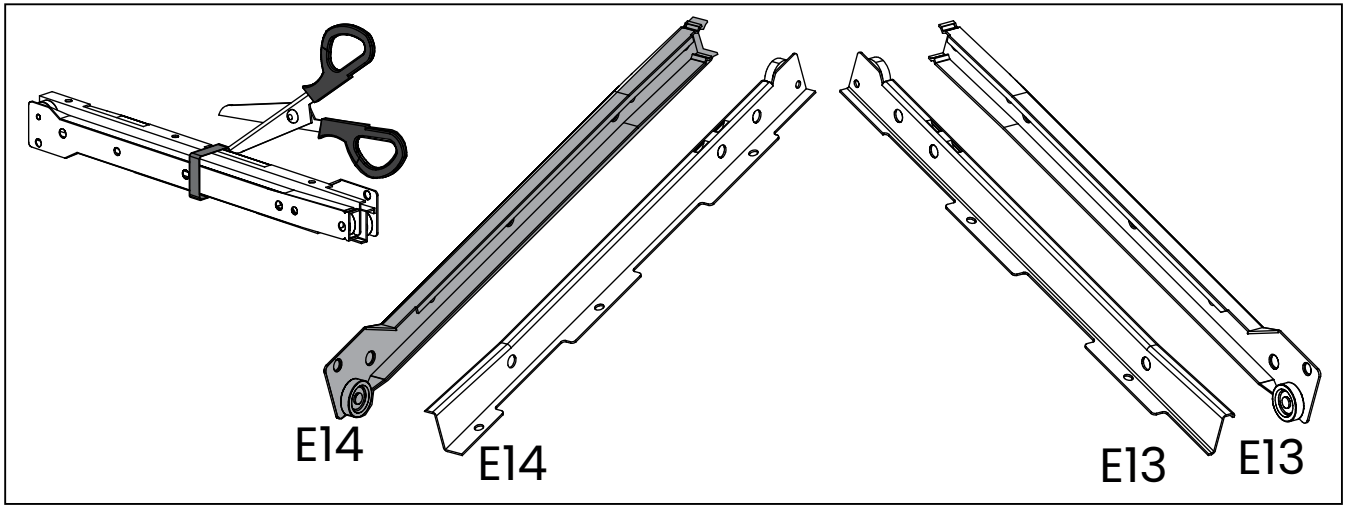


B31		6,0X10	2
E13		RIGHT Side	1

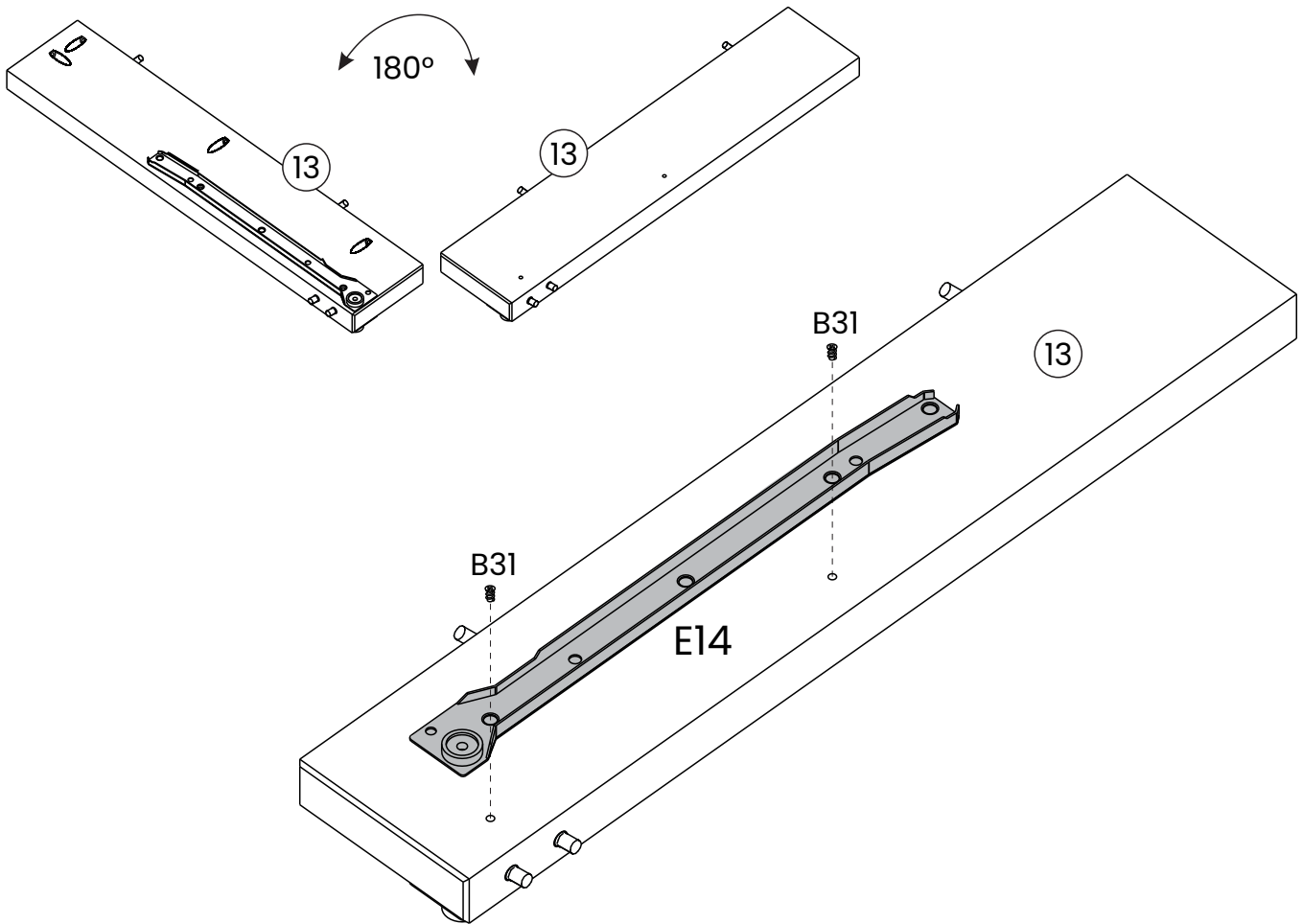
Need help?
Scan the QR code.


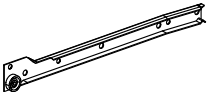


5)



Glide wheels should be positioned towards the front and bottom of the side panel.

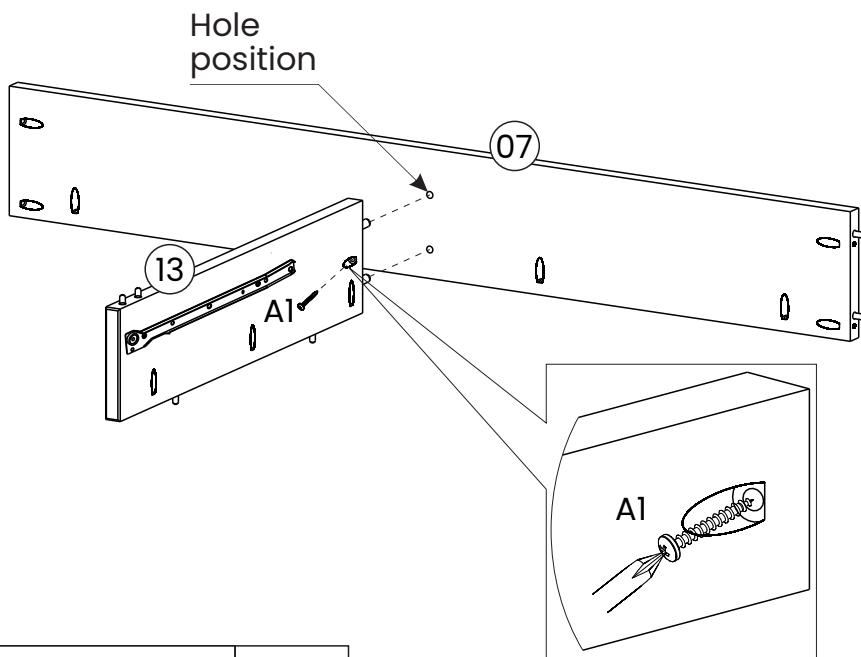


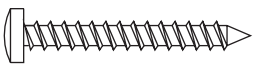
B31		6,0X10	2
E14		LEFT Side	1

Need help?
Scan the QR code.

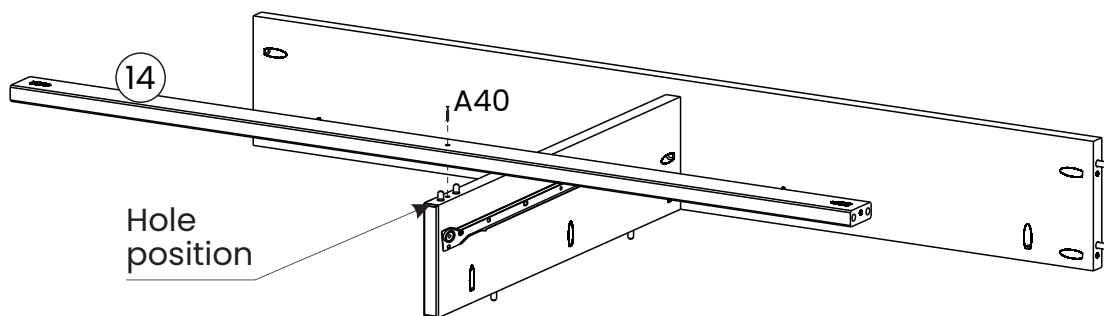



6)



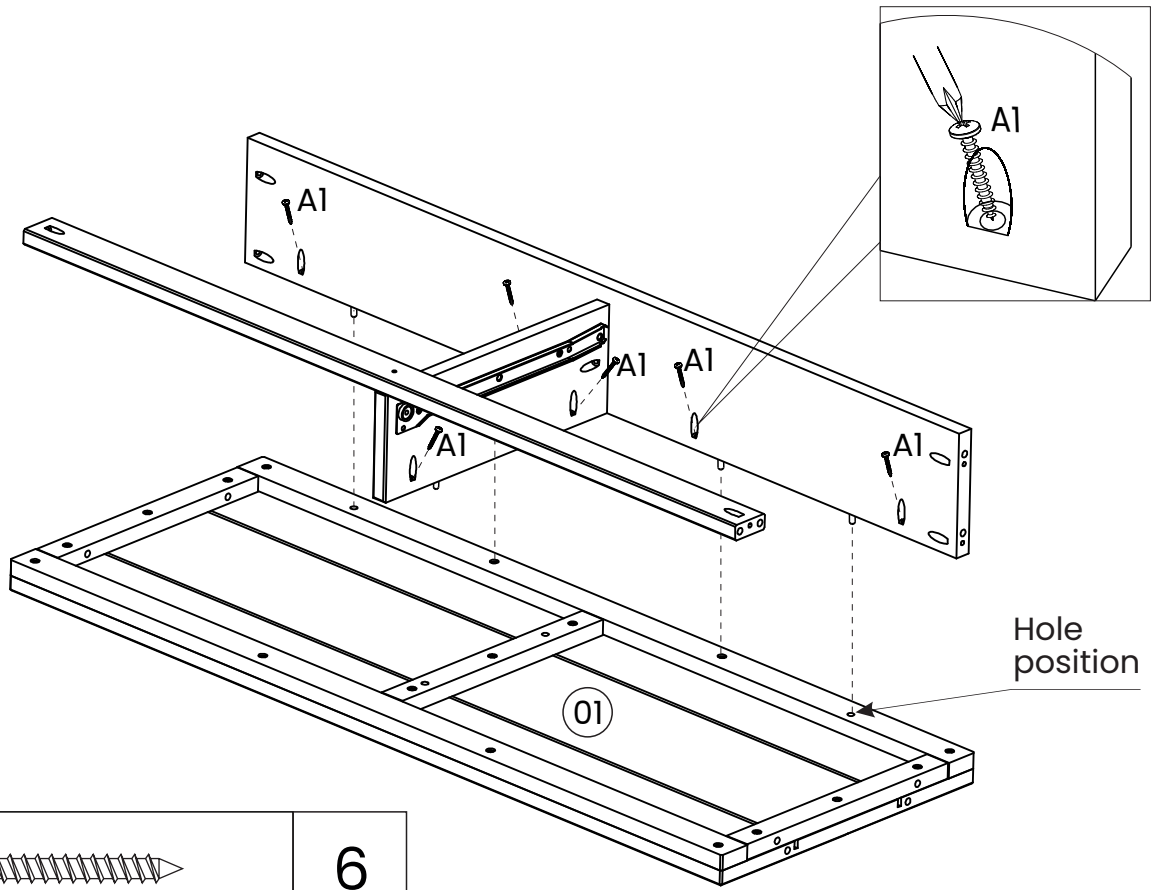
A1		1
4,0X30		

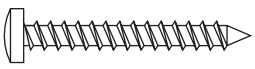
7)



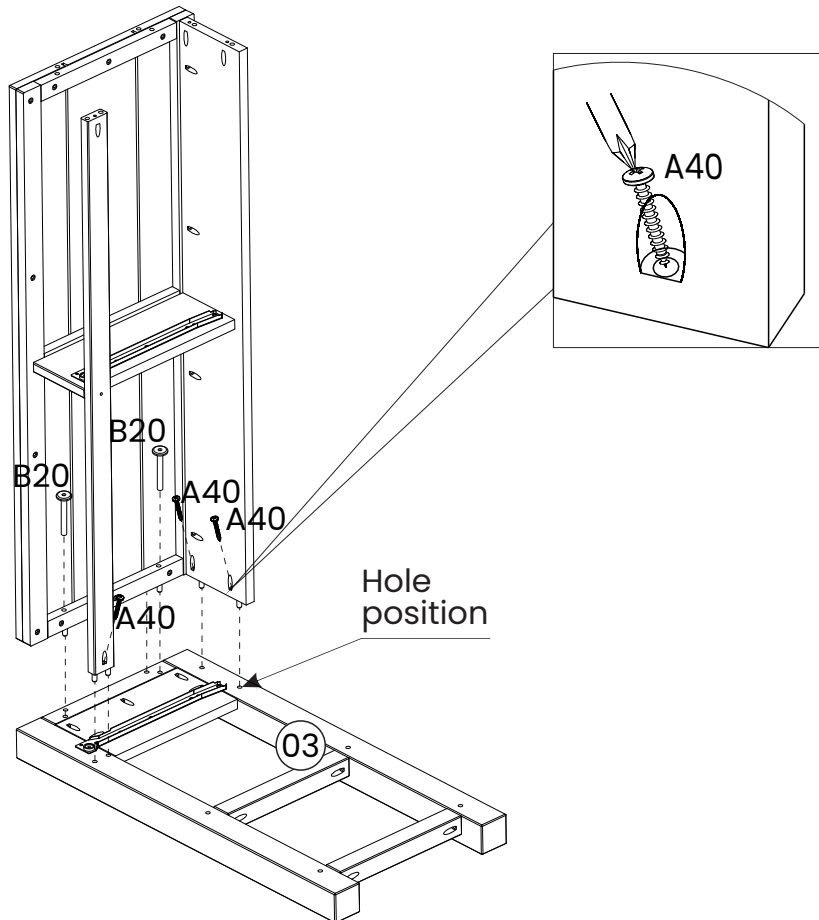
A40		1
4,0X45		



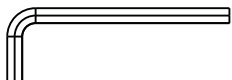
8)



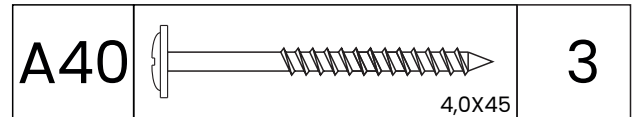
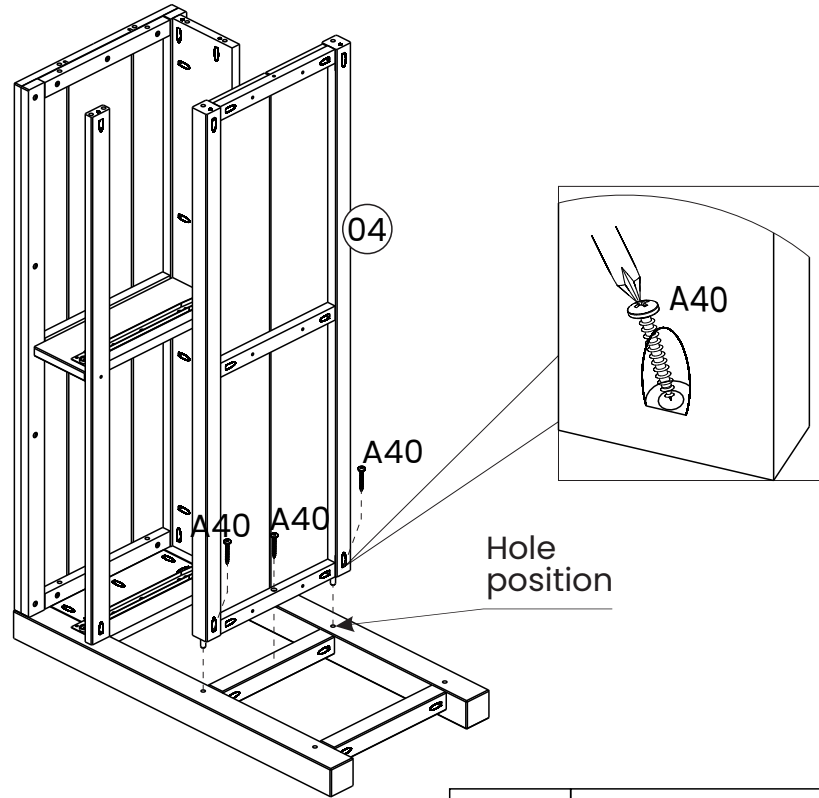
A1	 4,0X30	6
----	---	---

9)

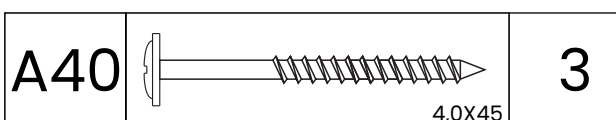
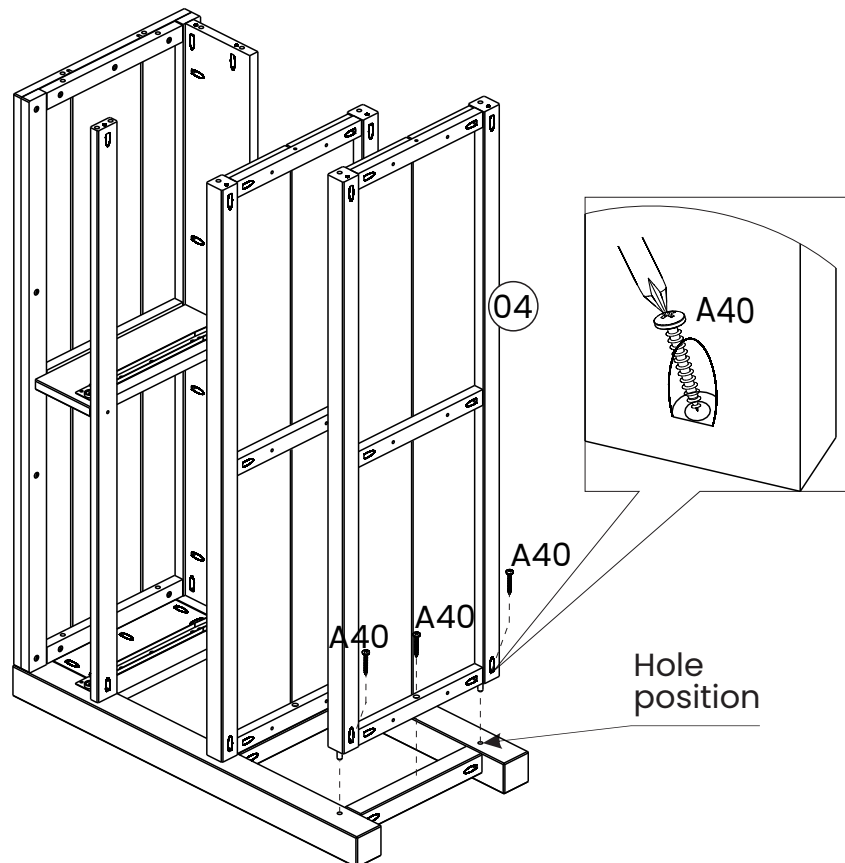


A40	 4,0X45	3	B20	 1/4"X50 ø17	2	G13	 4,0	2
-----	---	---	-----	--	---	-----	--	---

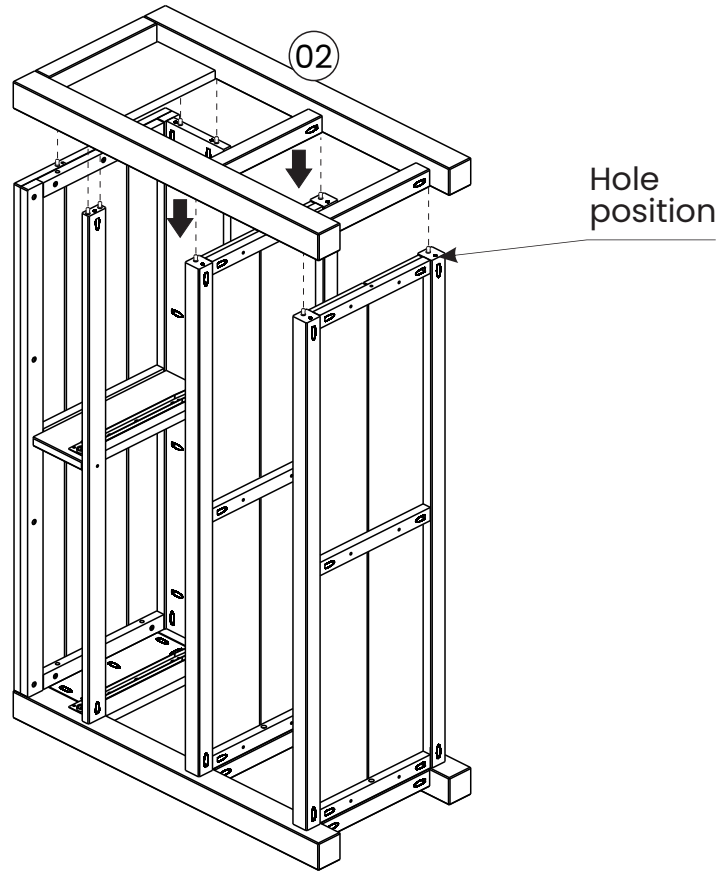
10)



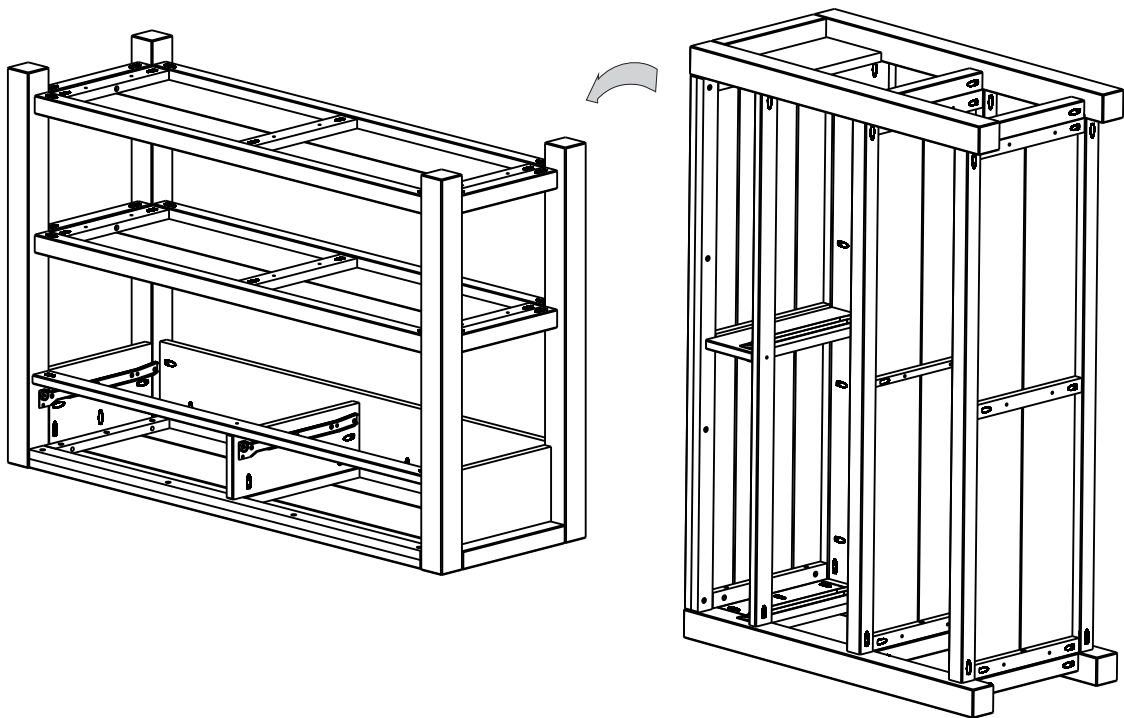
11)



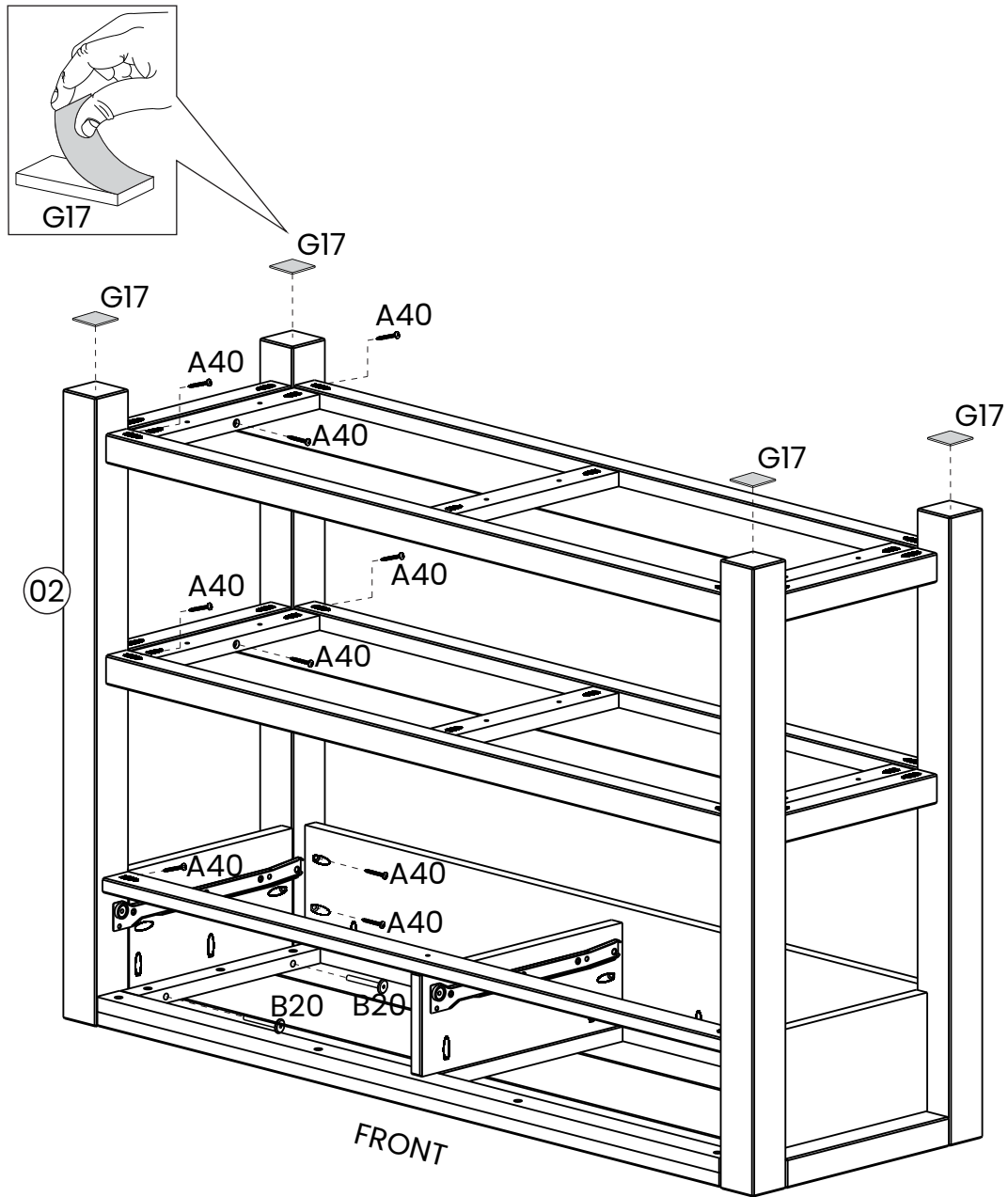
12)




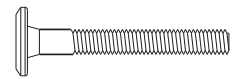
13)



14)



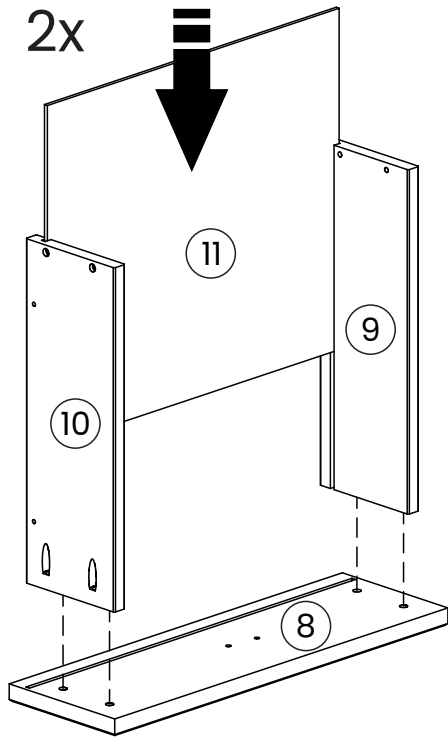
A40		9
4,0x45		

B20		2
1/4"x50 ø17		

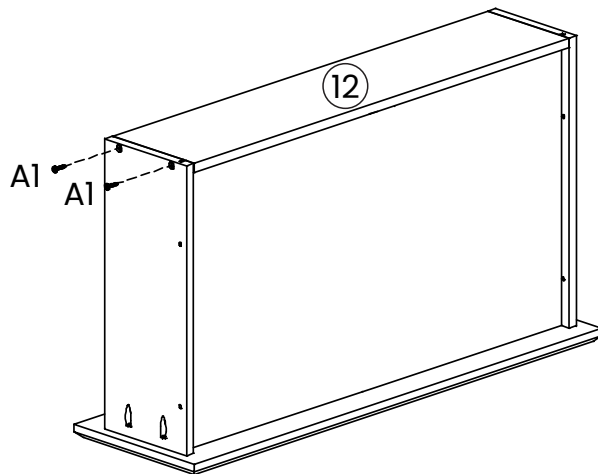
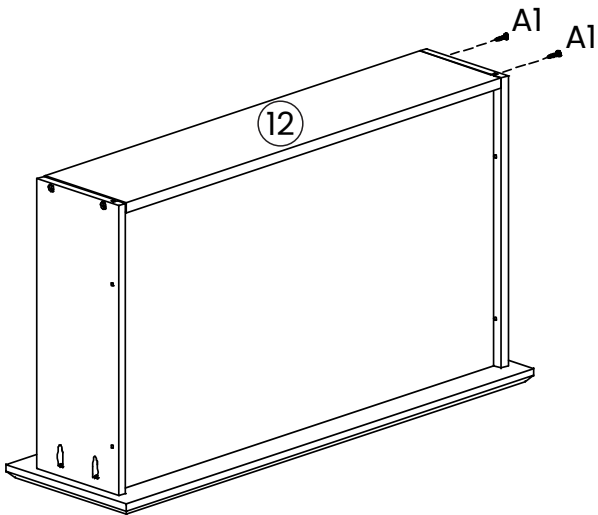
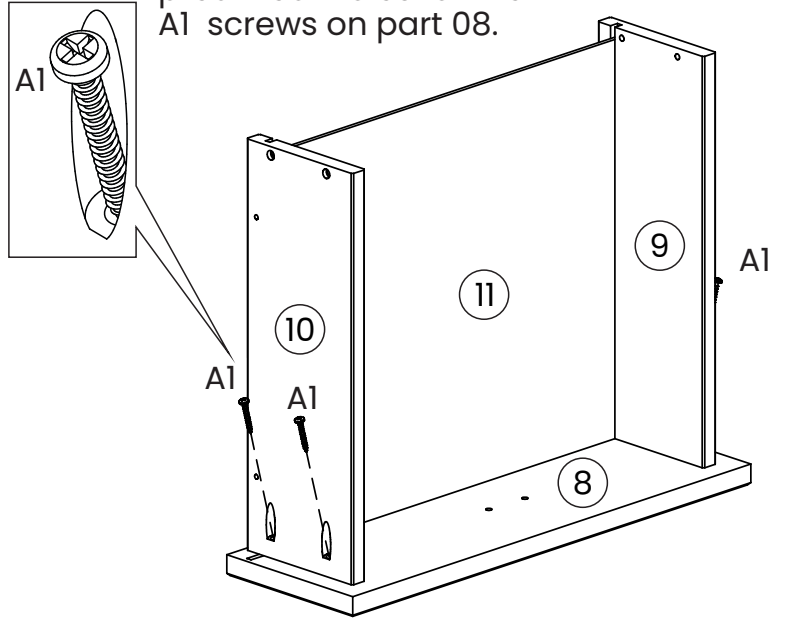
G13		2
4,0		


G17		4
50x50		

15)

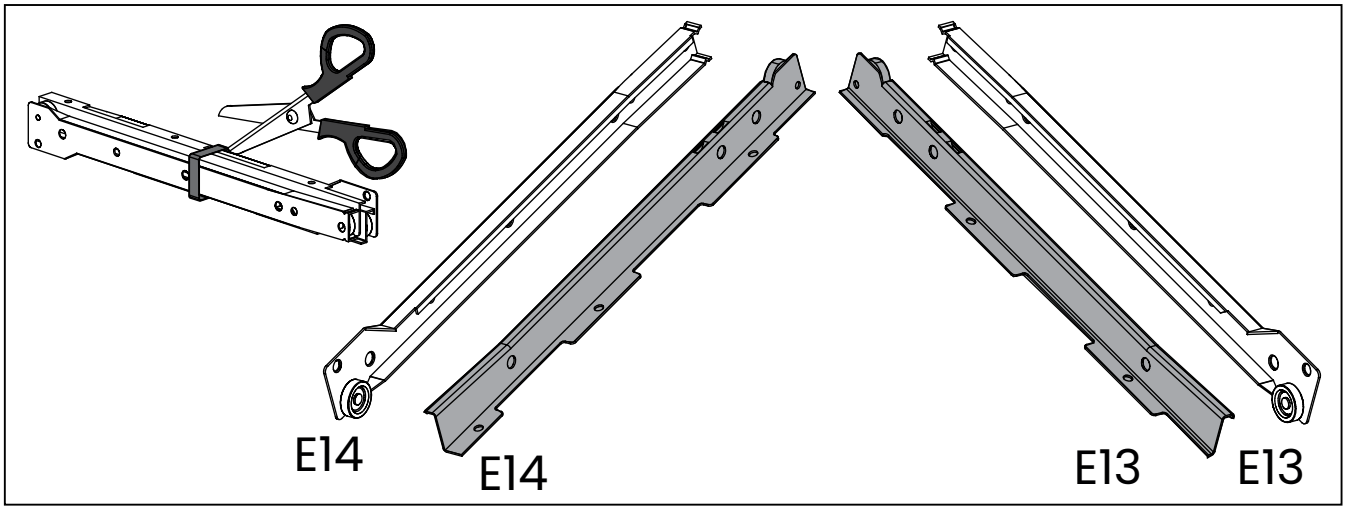


Attention: There are no predrilled holes for the A1 screws on part 08.

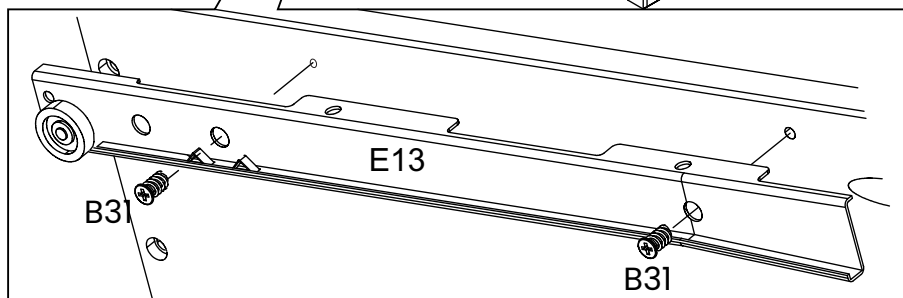
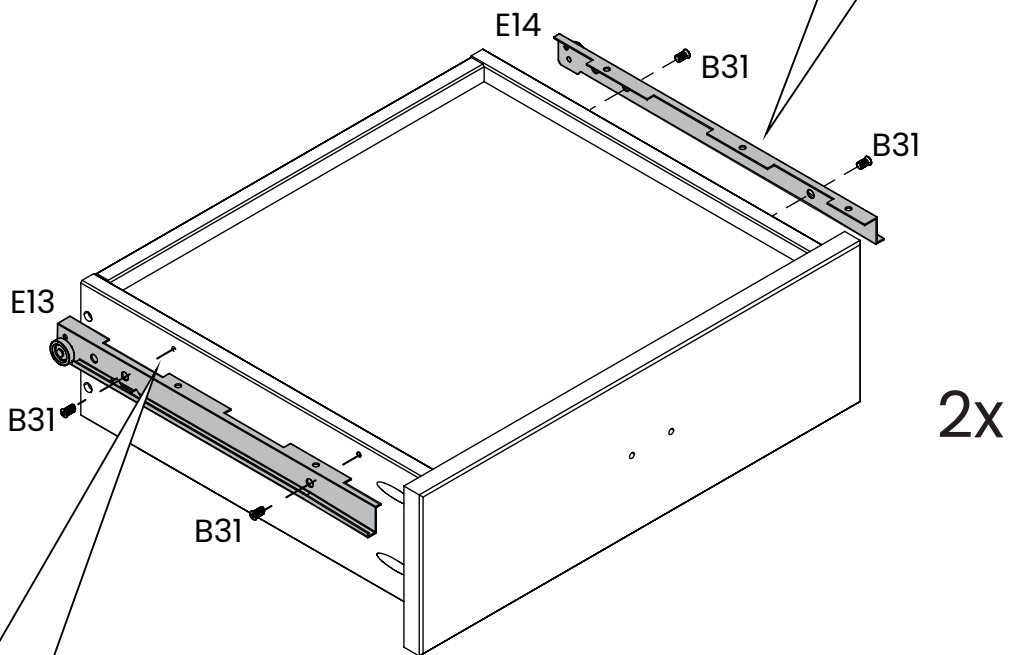
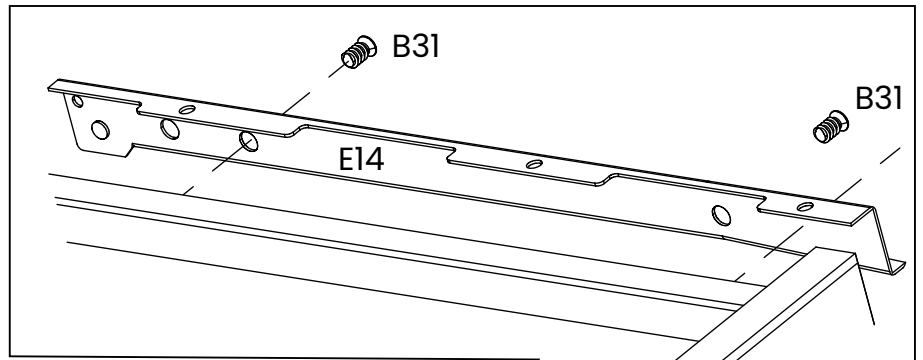


A1		16
	4,0X30	

16)


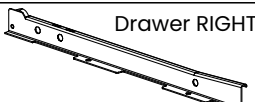
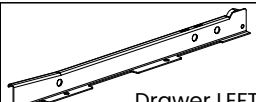


Flip the assembled drawer upside down to install glides.

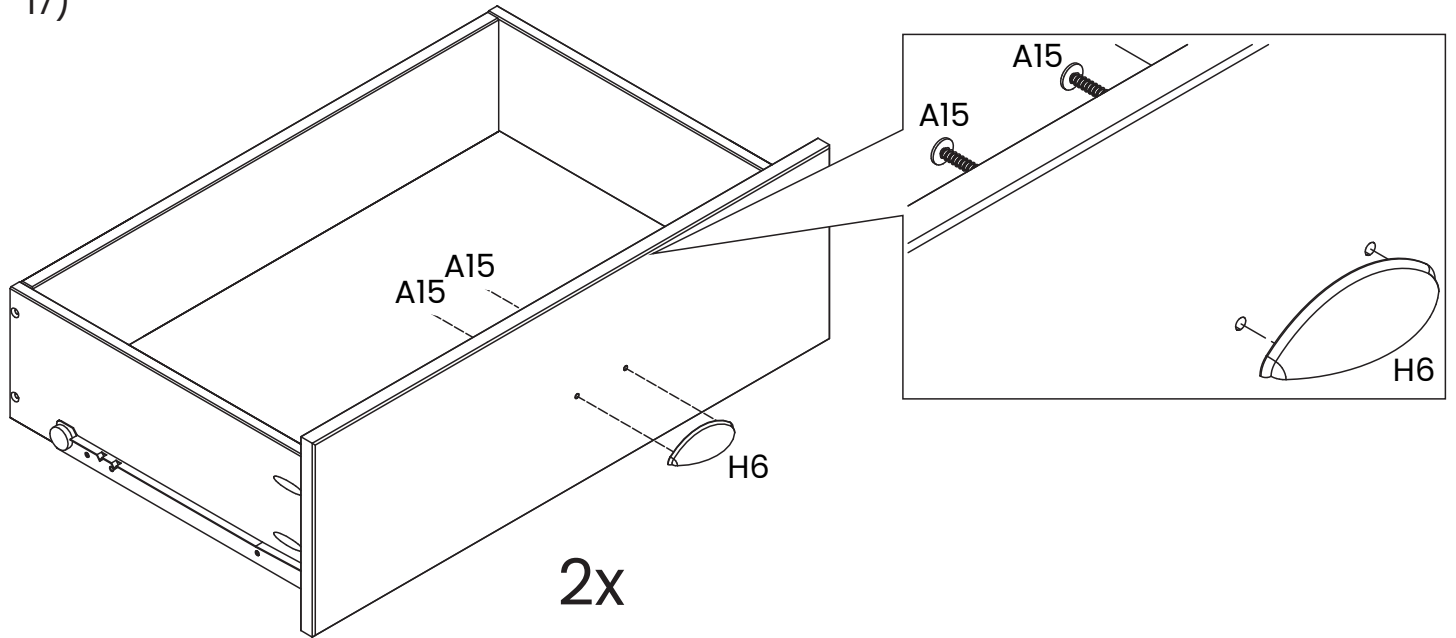


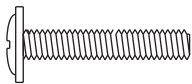

Need help?
Scan the QR code.



B31	 6,0X10	8	E13	 Drawer RIGHT	2	E14	 Drawer LEFT	2
-----	---	---	-----	--	---	-----	---	---

17)



A15	 M4x22	4	H6	 PZ04	2
-----	--	---	----	--	---

18)

