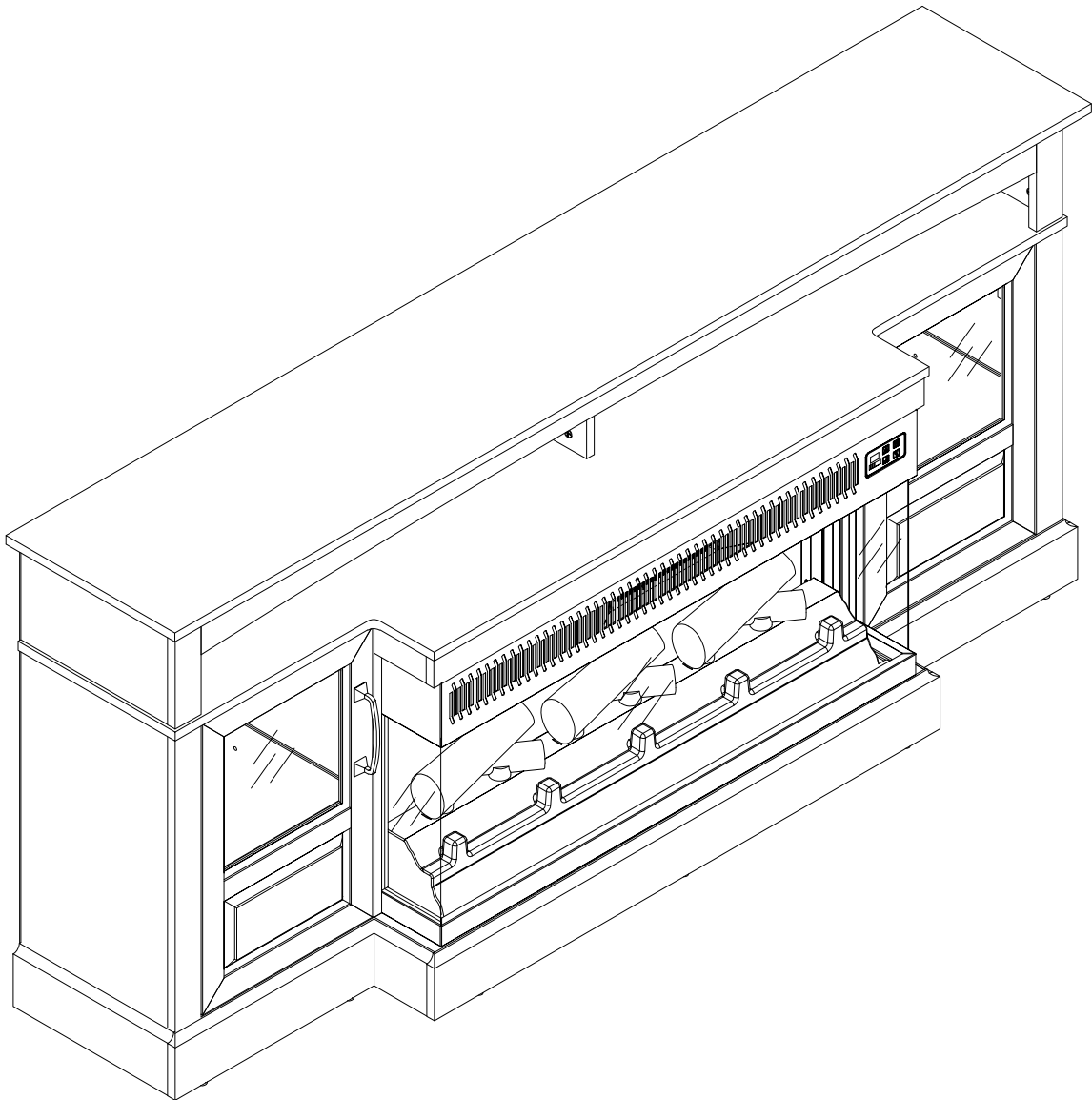


Fireplace TV Stand

User Manual



INTRODUCTION

Thank you for choosing our Fireplace TV Stand. Please read the instructions carefully and keep it for future reference.

Before assembly, please make sure you've received both following packages:

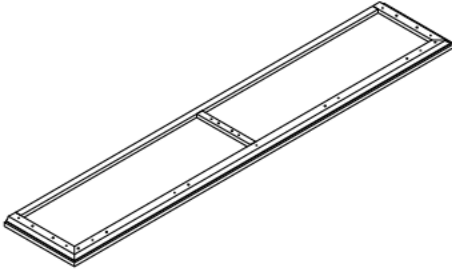
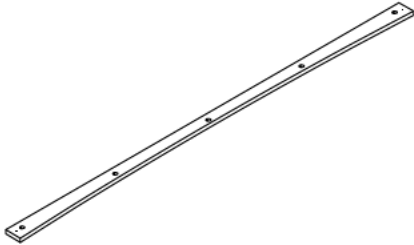
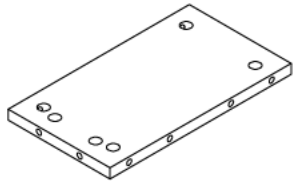
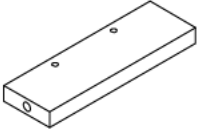
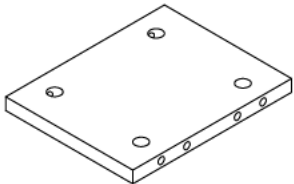
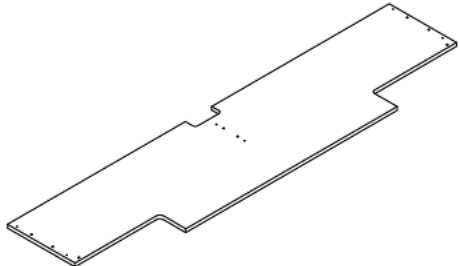
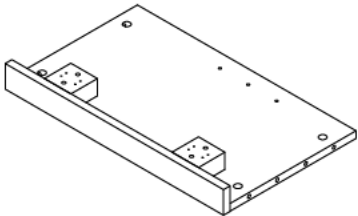
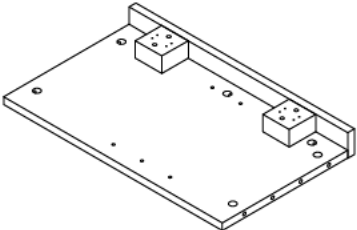
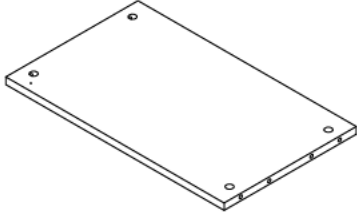
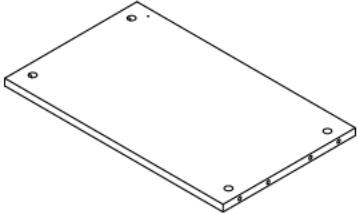
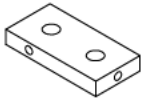
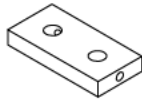
1. Fireplace TV Stand (Package A)
2. Fireplace TV Stand (Package B)

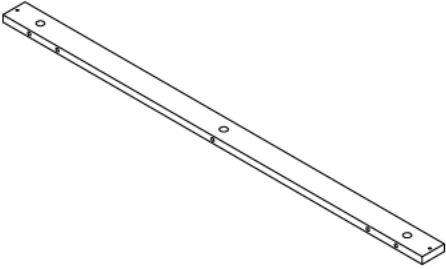
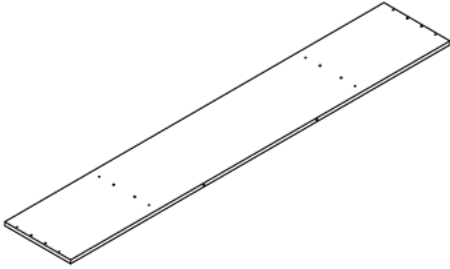
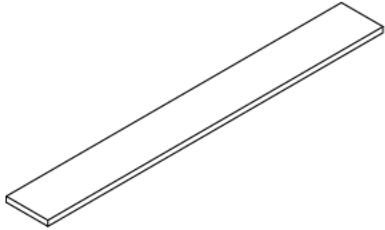
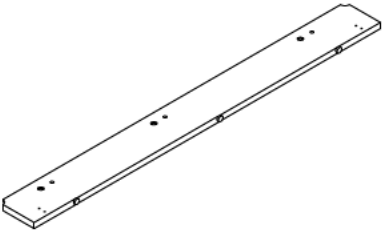
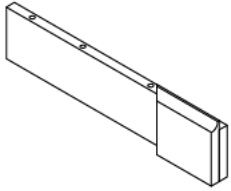
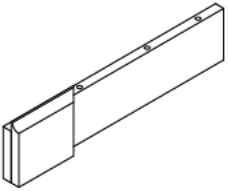
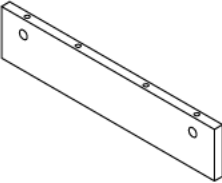
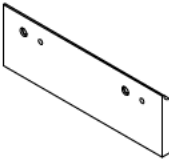
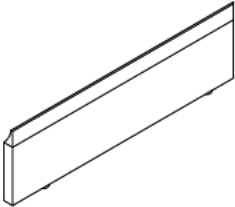
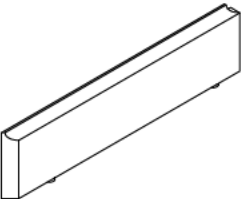
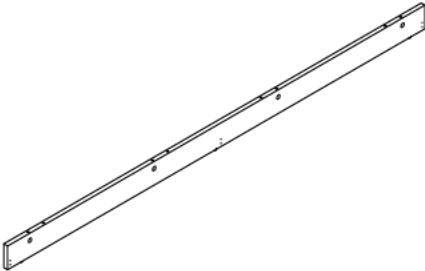
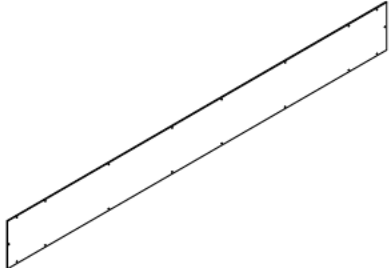
If you need any assistance, please contact our customer service through Amazon email. We will do our best to help you!

PRECAUTIONS

1. Before starting the installation, make sure you have all the necessary tools and hardware included in the package.
2. Clear the installation area and ensure it is stable and level. It's important to have a solid surface to support the weight of the TV stand.
3. Unpack carefully and lay out all the components. Check for any damage or missing parts. If you find any issues, contact the manufacturer immediately.
4. Follow the assembly instructions provided. Make sure to tighten the screws securely but do not overtighten to avoid damaging the components.
5. If there are any electrical components, such as for the built-in lighting or power outlets, connect them according to the instructions and make sure the wiring is neatly organized.
6. Once the assembly is complete, carefully lift and position the TV stand in the desired location. It is recommended to have at least two people to handle a over-weighted stand to avoid any potential injuries or damage.
7. Finally, double-check all the connections and screws to ensure the stability and safety of the TV stand.

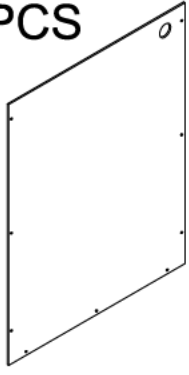
Remember, safety is of utmost importance during the installation process. Take your time and follow the instructions carefully.

<p>① x1PC 1/2</p>  <p>1778*328*30</p>	<p>② x1PC 1/2</p>  <p>1621*60*15</p>	<p>③ x2PCS 1/2</p>  <p>160*285*15</p>
<p>④ x2PCS 1/2</p>  <p>160*50*15</p>	<p>⑤ x1PC 1/2</p>  <p>160*200*15</p>	<p>⑥ x1PC 1/2</p>  <p>1731*422*15</p>
<p>⑦ x1PC 2/2</p>  <p>495*300*50</p>	<p>⑧ x1PC 2/2</p>  <p>495*300*50</p>	<p>⑨ x1PC 2/2</p>  <p>495*300*15</p>
<p>⑩ x1PC 2/2</p>  <p>495*300*15</p>	<p>⑪ x1PC 1/2</p>  <p>102*50*15</p>	<p>⑫ x1PC 1/2</p>  <p>102*50*15</p>

<p>⑬ x1PC 2/2</p>  <p>951*50*15</p>	<p>⑭ x1PC 1/2</p>  <p>1720*300*15</p>	<p>⑮ x1PC 2/2</p>  <p>950*118*15</p>
<p>⑯ x1PC 2/2</p>  <p>981*100*15</p>	<p>⑰ x1PC 2/2</p>  <p>402*84.5*30</p>	<p>⑱ x1PC 2/2</p>  <p>402*84.5*30</p>
<p>⑲ x1PC 1/2</p>  <p>402*84.5*15</p>	<p>⑳ x2PCS 1/2</p>  <p>300*100*15</p>	<p>㉑ x1PC 1/2</p>  <p>400.5*100*15</p>
<p>㉒ x1PC 1/2</p>  <p>400.5*100*15</p>	<p>㉓ x1PC 1/2</p>  <p>1720*84.5*15</p>	<p>㉔ x1PC 1/2</p>  <p>1720*188*2.7</p>

②⑤ x2PCS

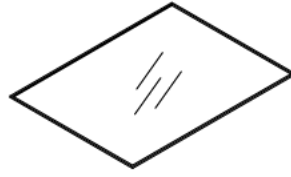
2/2



512*400*2.7

②⑥ x2PCS

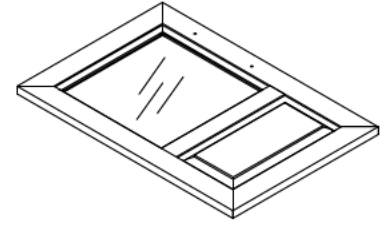
2/2



367*278*3

②⑦ x1PC

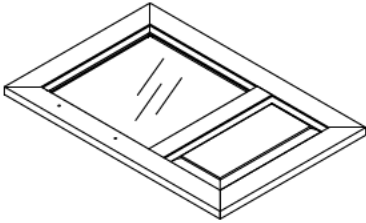
2/2



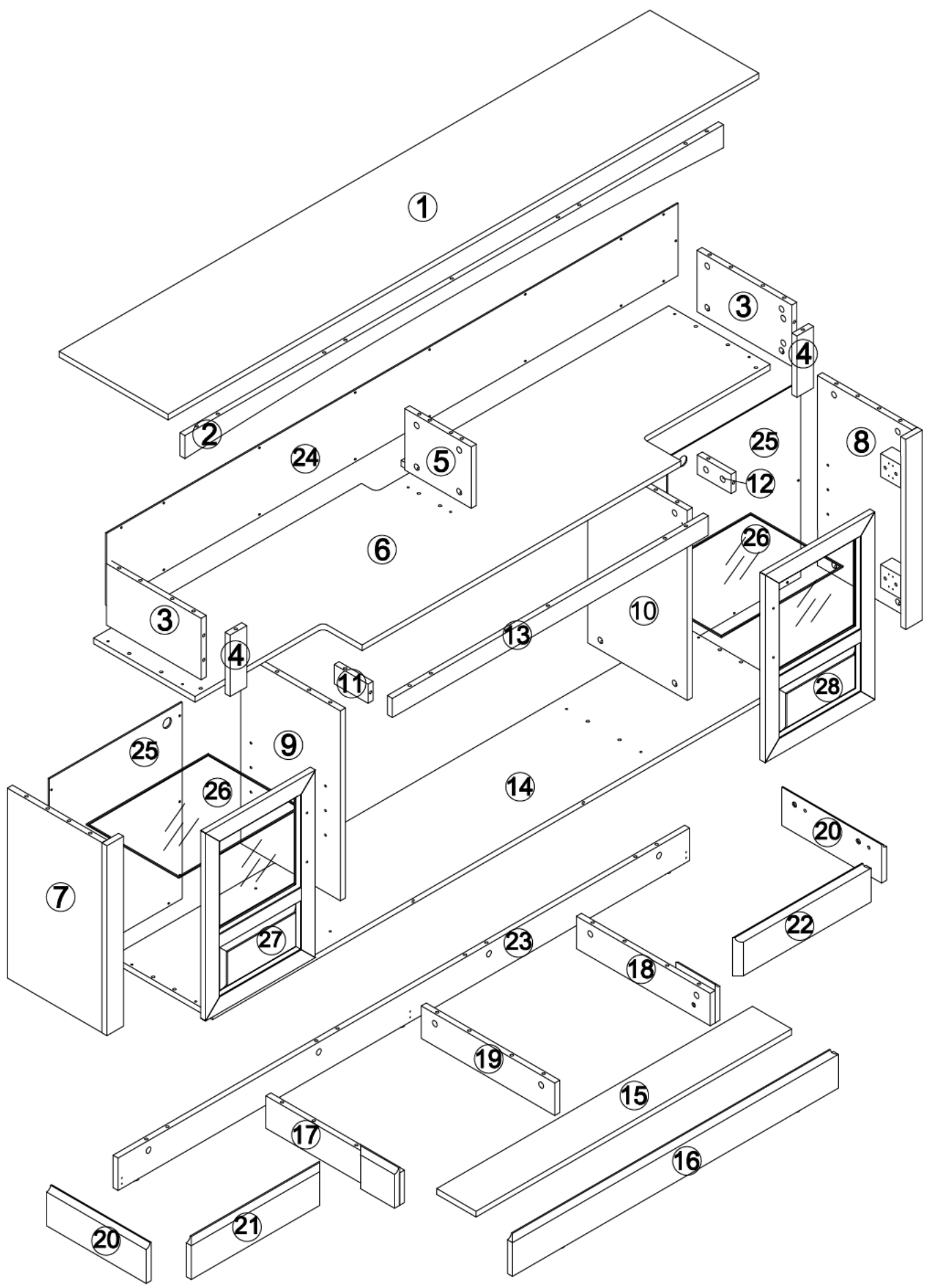
489*330*15


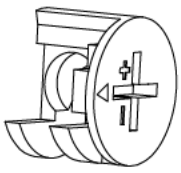

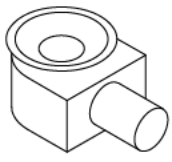

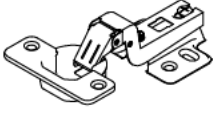


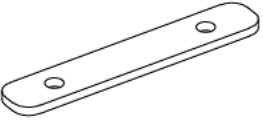
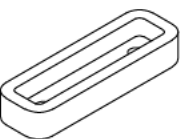
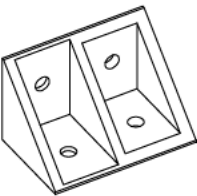
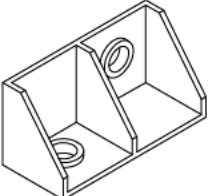




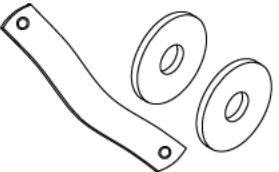
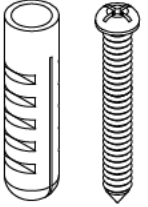
②⑧ x1PC

2/2

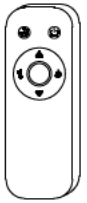
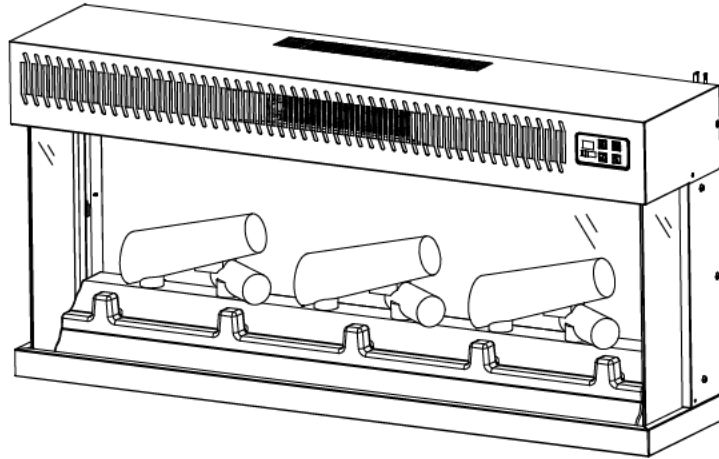


489*330*15

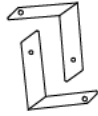


<p>(A) X54+X4 PC</p>  <p>Ø6*34</p>	<p>(B) X54+X4 PC</p>  <p>Ø15*11.5</p>	<p>(C) X50+X4 PC</p>  <p>Ø8*30</p>	<p>(D) X8 PC</p>  <p>22*14*10</p>
<p>(E) X36+X3 PC</p>  <p>Ø3.5x16</p>	<p>(F) X4 PC</p>  <p>Ø35</p>	<p>(G) X24+X2 PC</p>  <p>Ø3.9x15</p>	<p>(H) X40+X4 PC</p>  <p>Ø3.9x15</p>
<p>(I) X4 PC</p>  <p>45*12*1</p>	<p>(J) X2 PC</p>  <p>38x13x6</p>	<p>(K) X7 PC</p>  <p>32*19*19</p>	<p>(L) X11 PC</p>  <p>58*29*29</p>
<p>(M) X22+X2 PC</p>  <p>Ø1/4"x12</p>	<p>(N) X2 PC</p>  <p>149*30*22</p>	<p>(O) X4 PC</p>  <p>Ø5/32"x20</p>	<p>(P) X58 PC</p>  <p>Ø22</p>
<p>(Q) X2 PC</p>  <p>Ø12x1</p>	<p>(R) X2 PC</p>  <p>Ø3.9x40</p>		

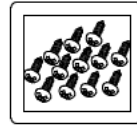
Electric Fireplace



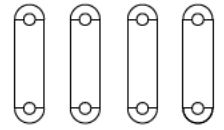
(C-1)*1



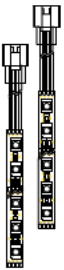
(C-2)*2



(C-3) *2(M4x8)
(C-3) *10(ST3.9x8)







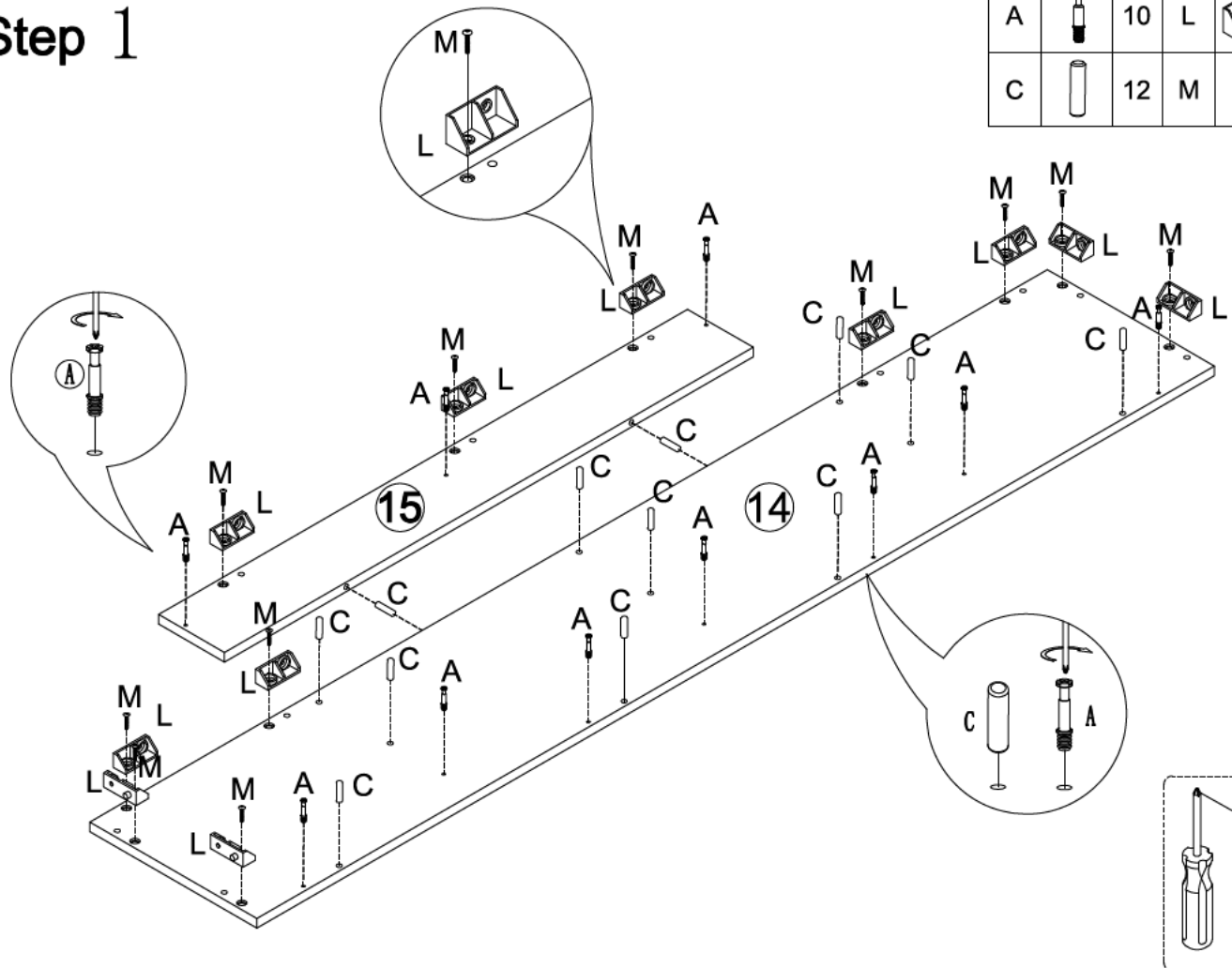
(C-4)*4



(C-5)*2

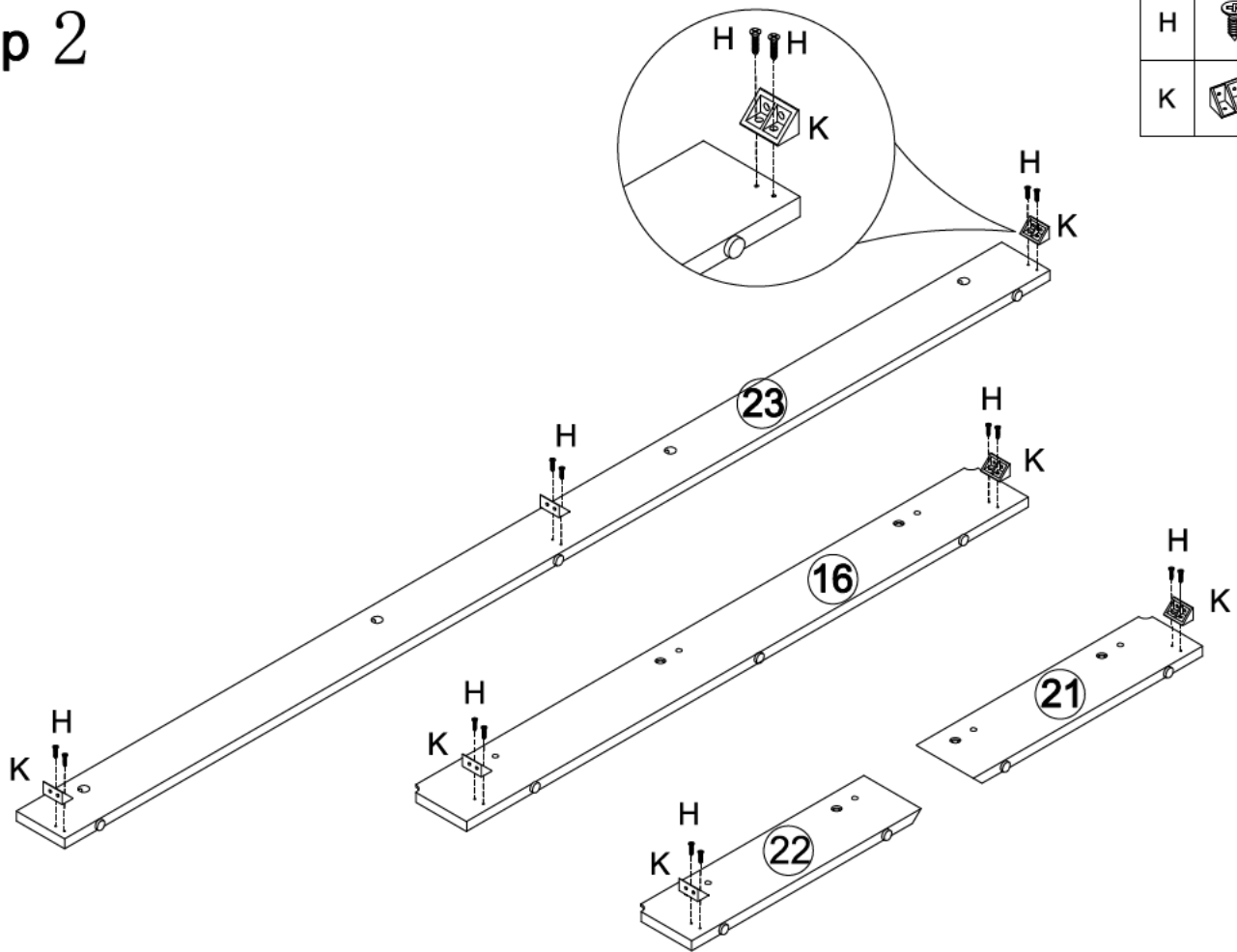
Step 1

A		10	L		11
C		12	M		11



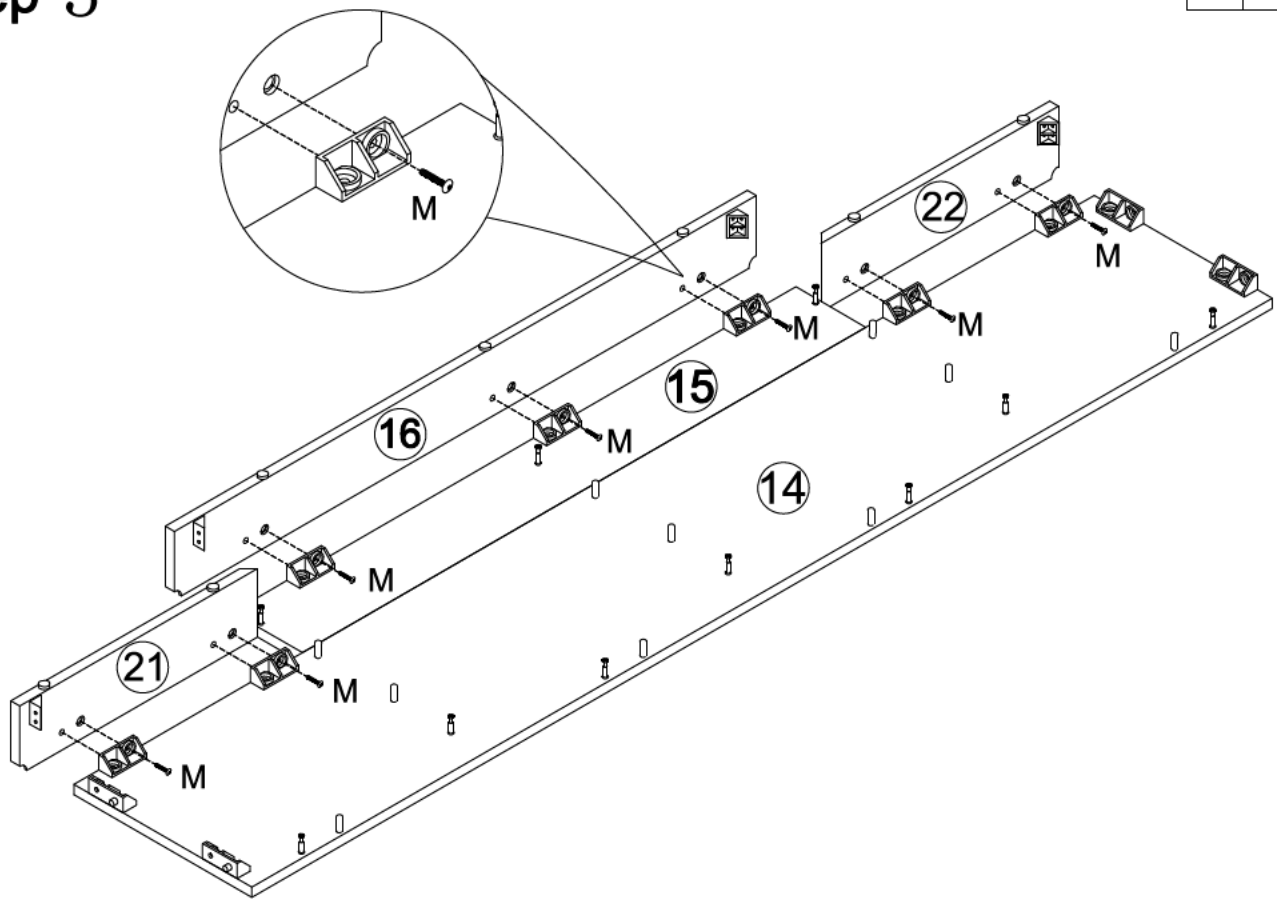
Step 2

H		14
K		7



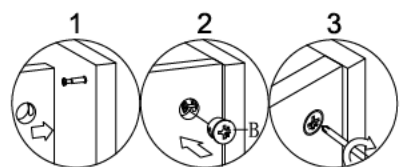
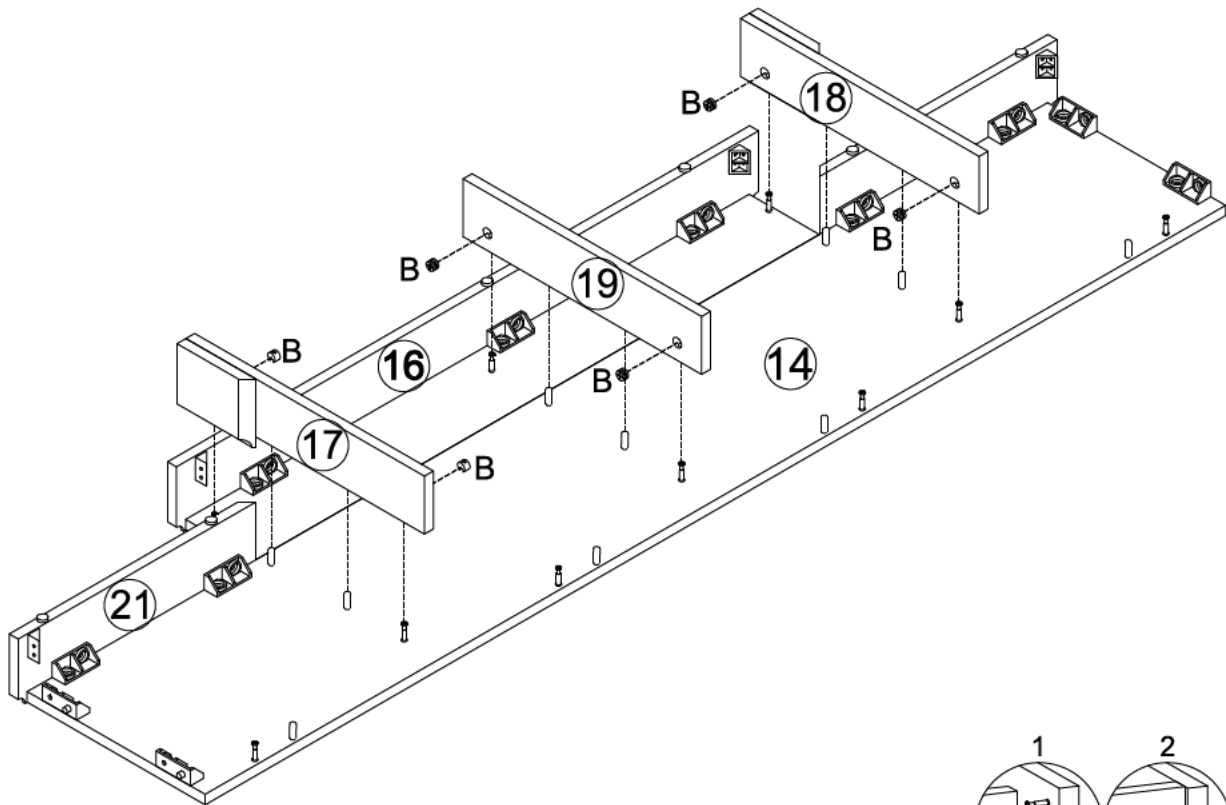
Step 3

M		7
---	--	---



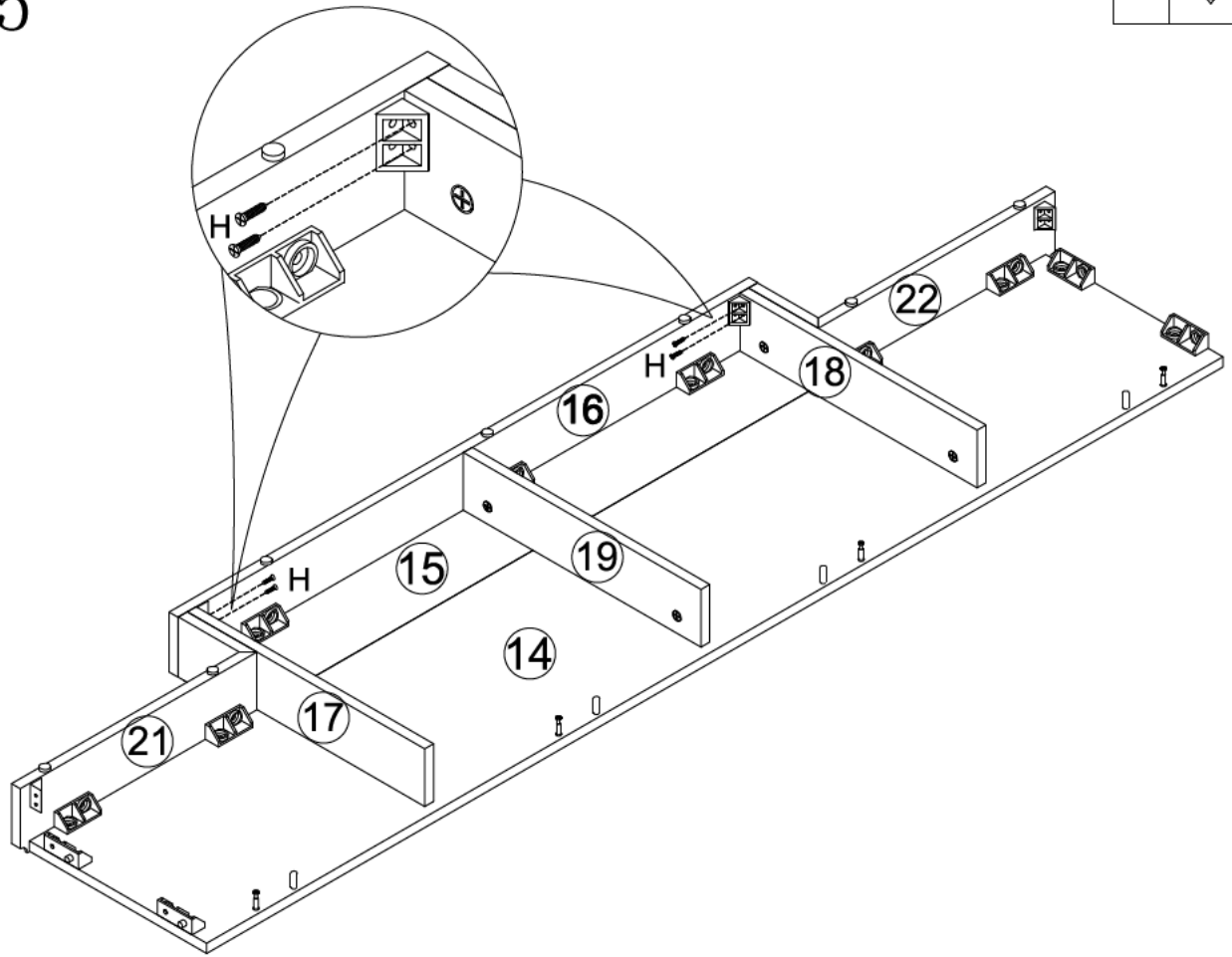
Step 4

B		6
---	---	---



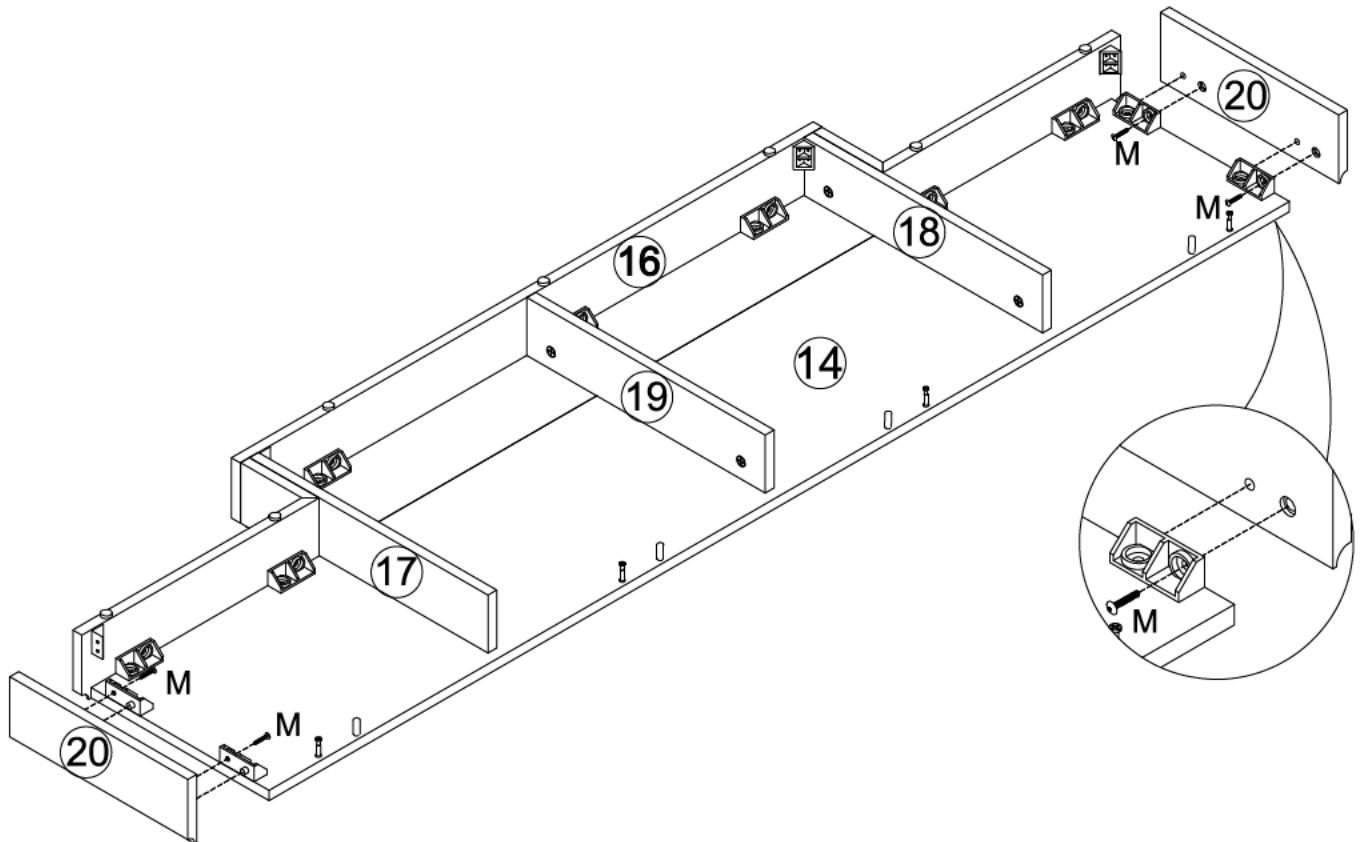
Step 5

H		4
---	--	---



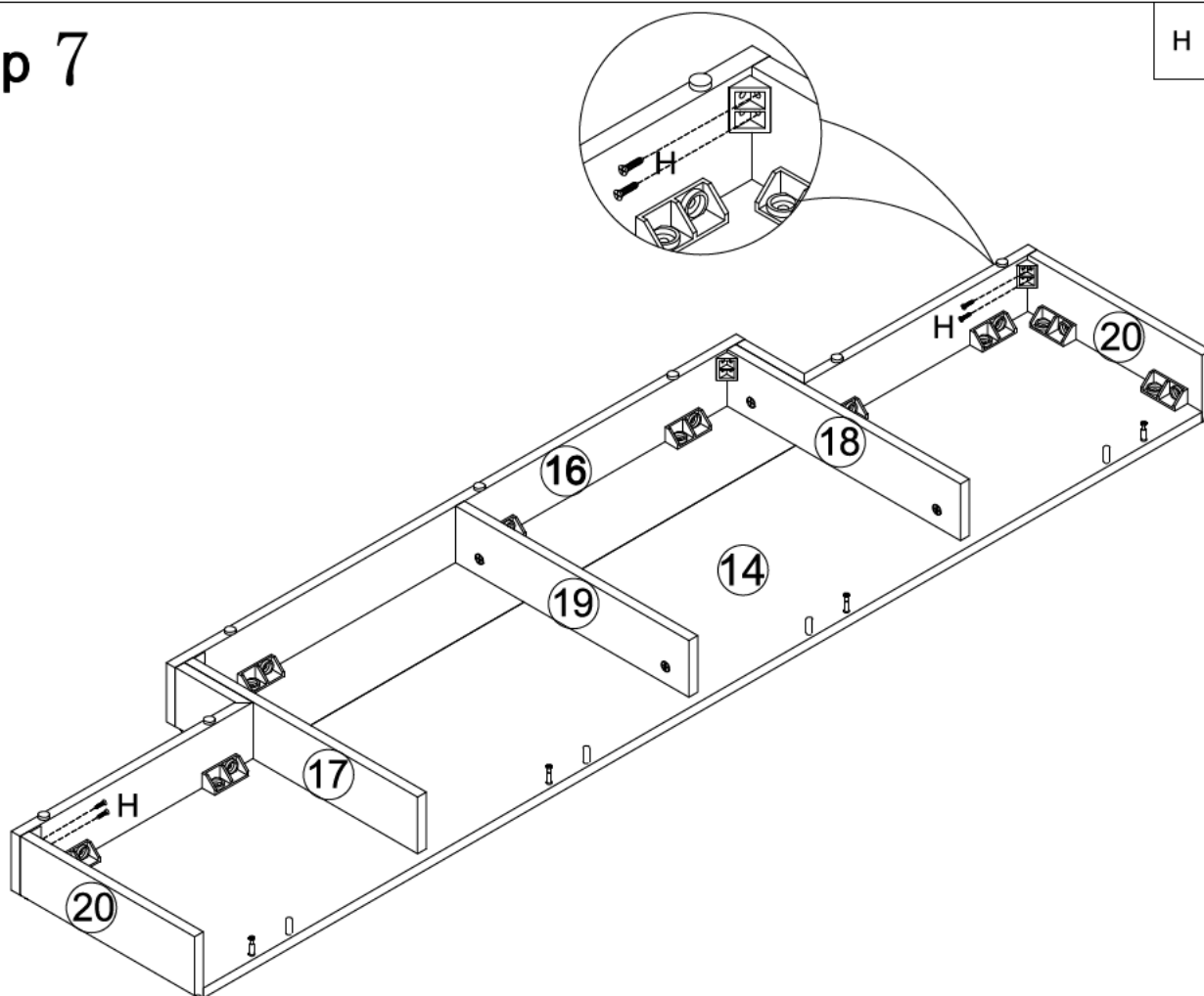
Step 6

M		4
---	---	---



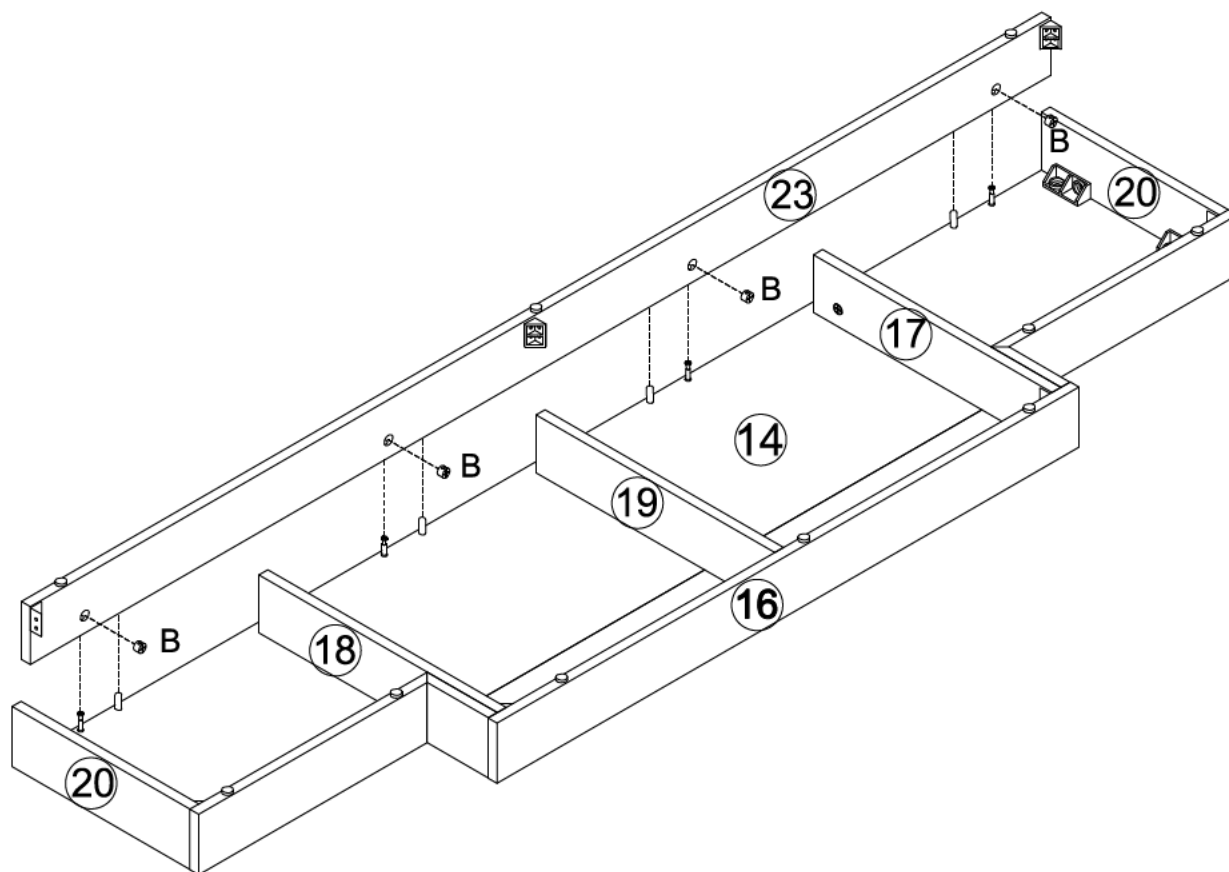
Step 7

H  4



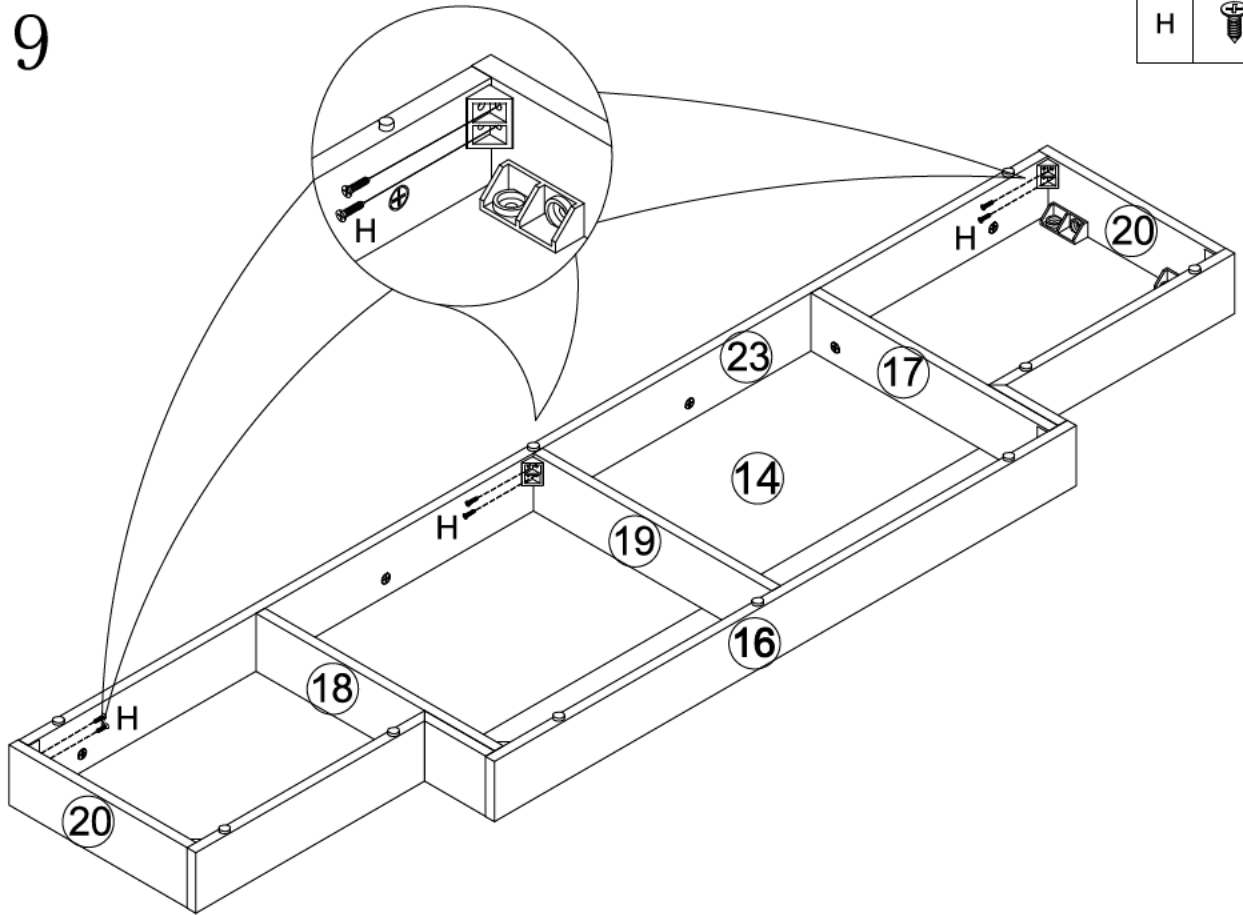
Step 8

B  4





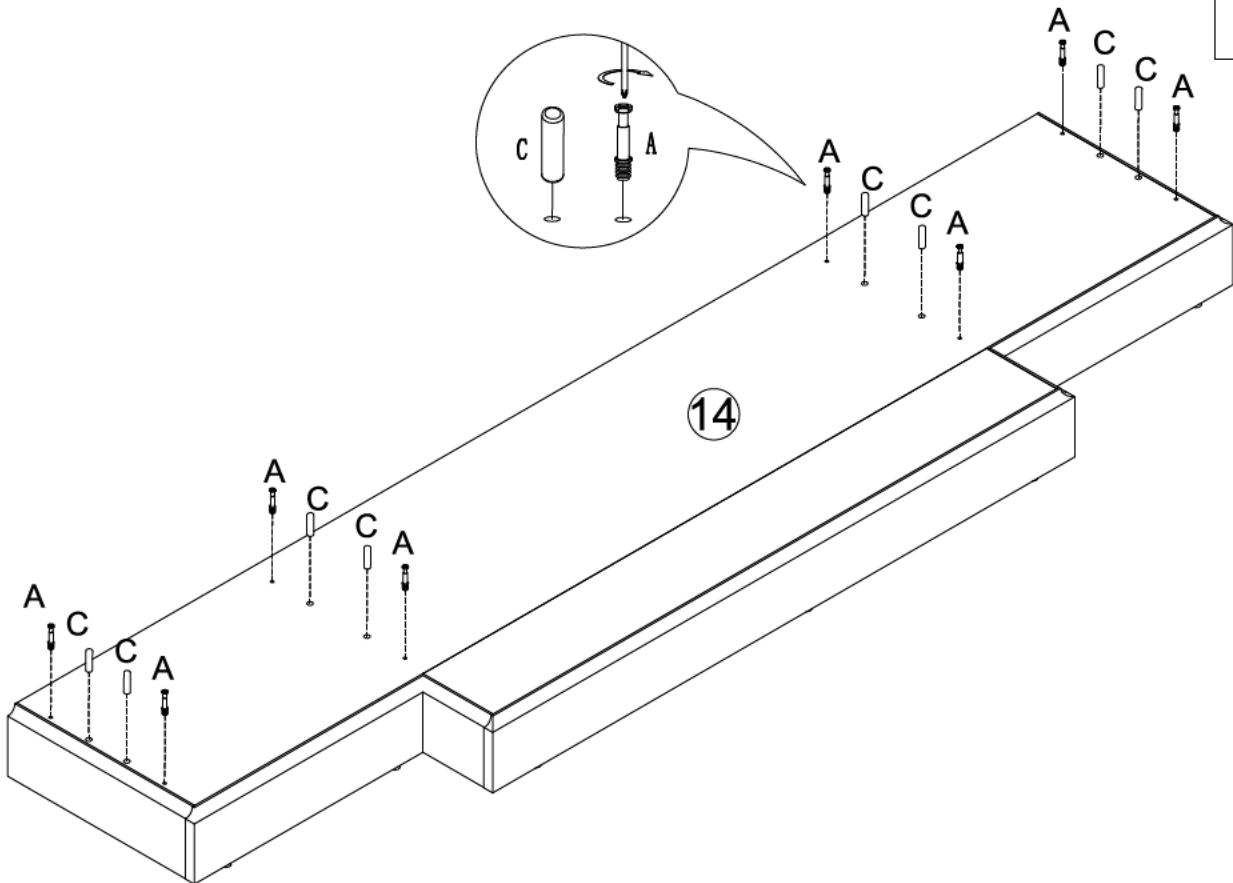
Step 9

H		6
---	--	---




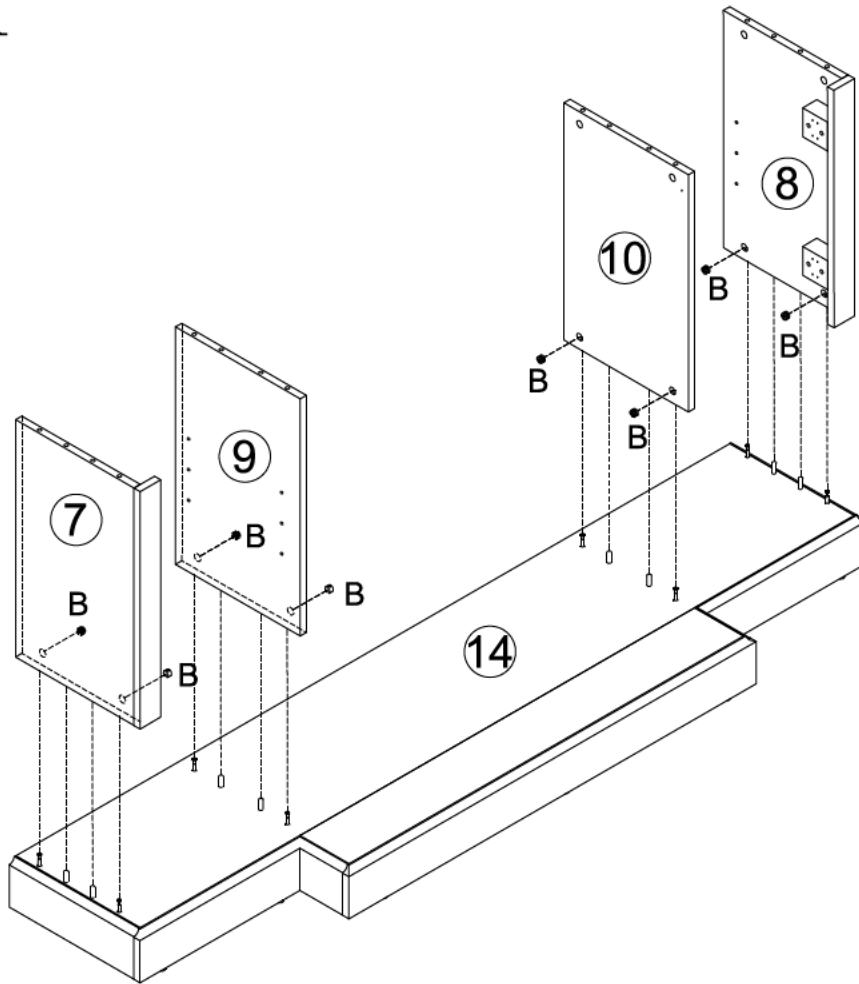
Step 10

A		8
C		8



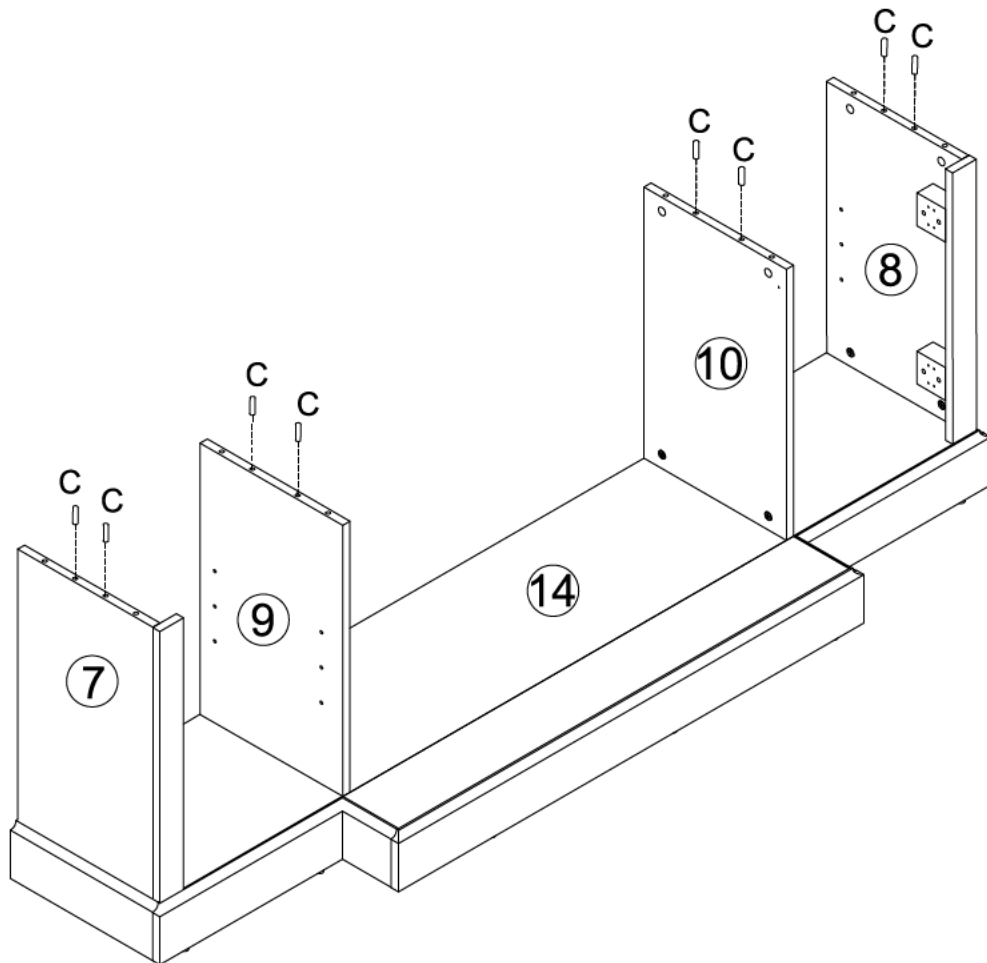
Step 11

B  8

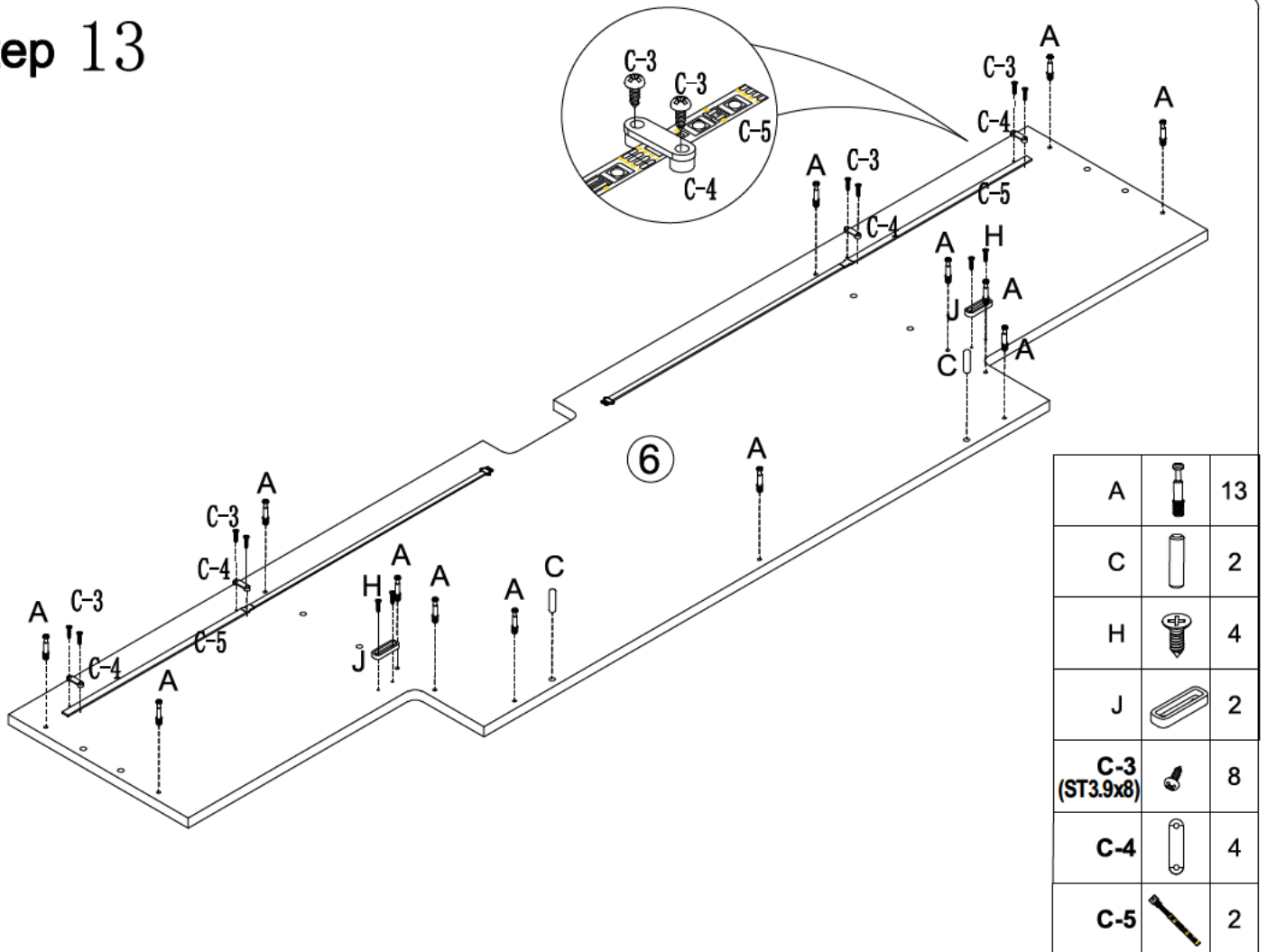


Step 12

C  8

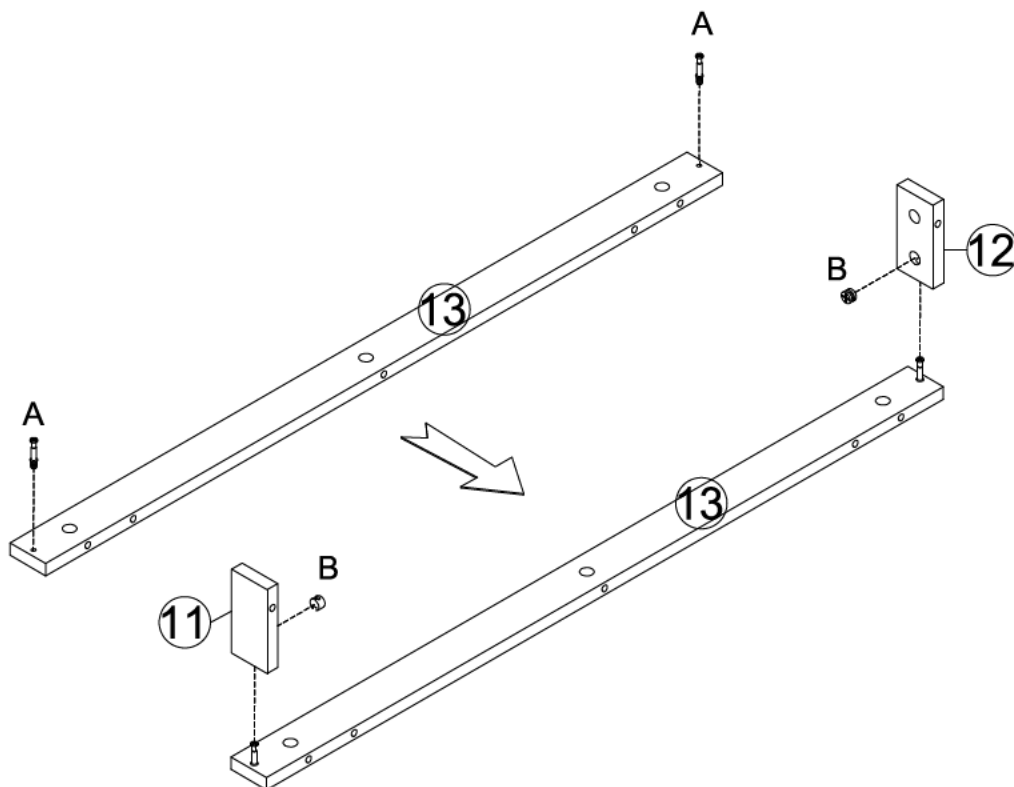


Step 13



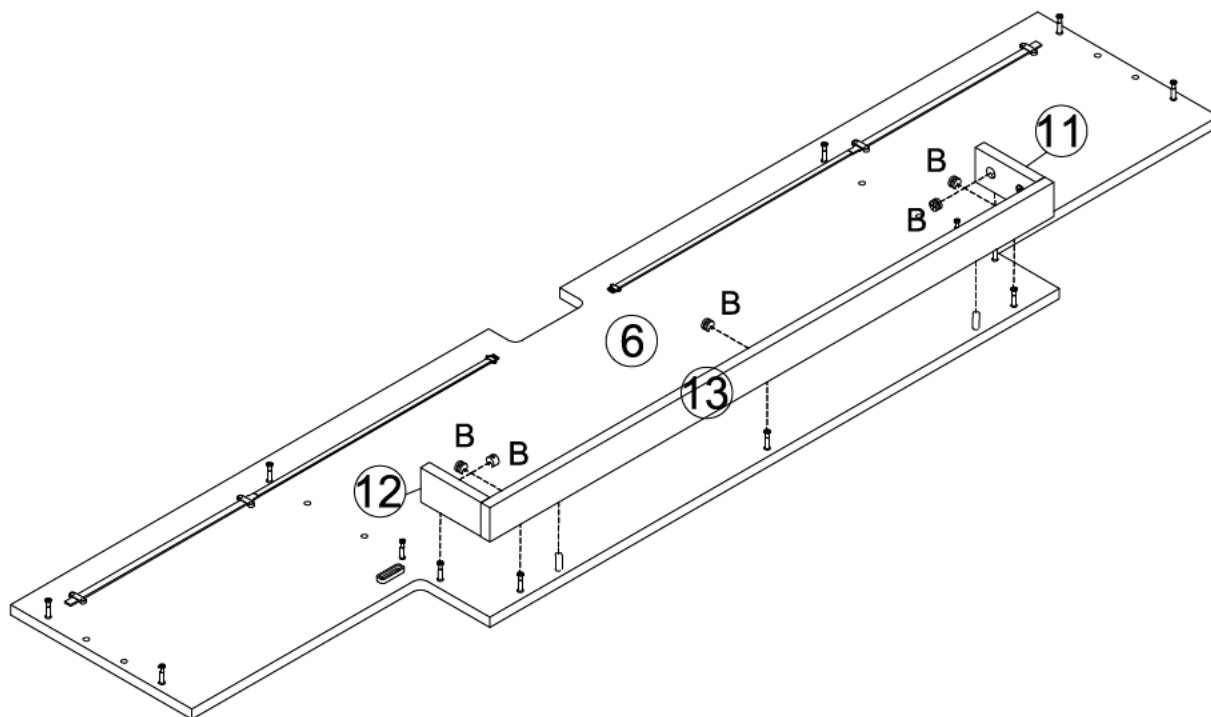
A		13
C		2
H		4
J		2
C-3 (ST3.9x8)		8
C-4		4
C-5		2

Step 14

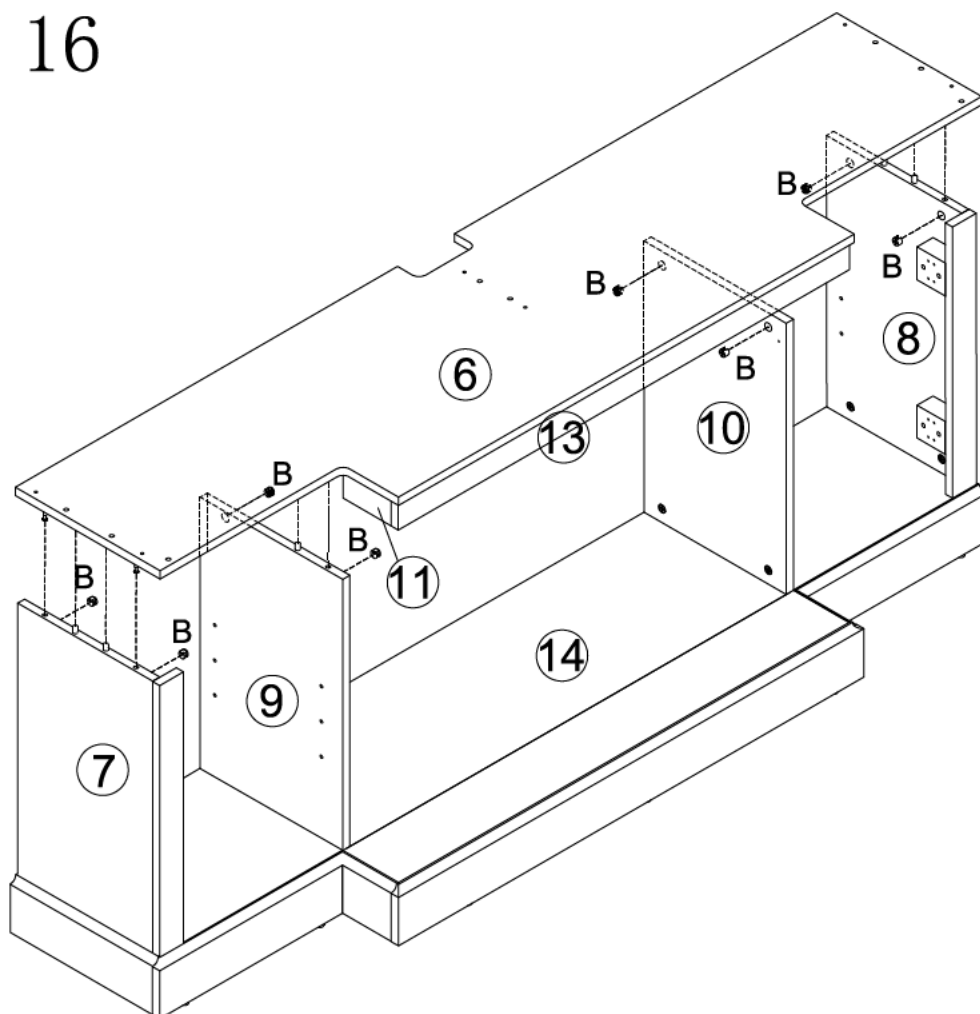


A		2
B		2

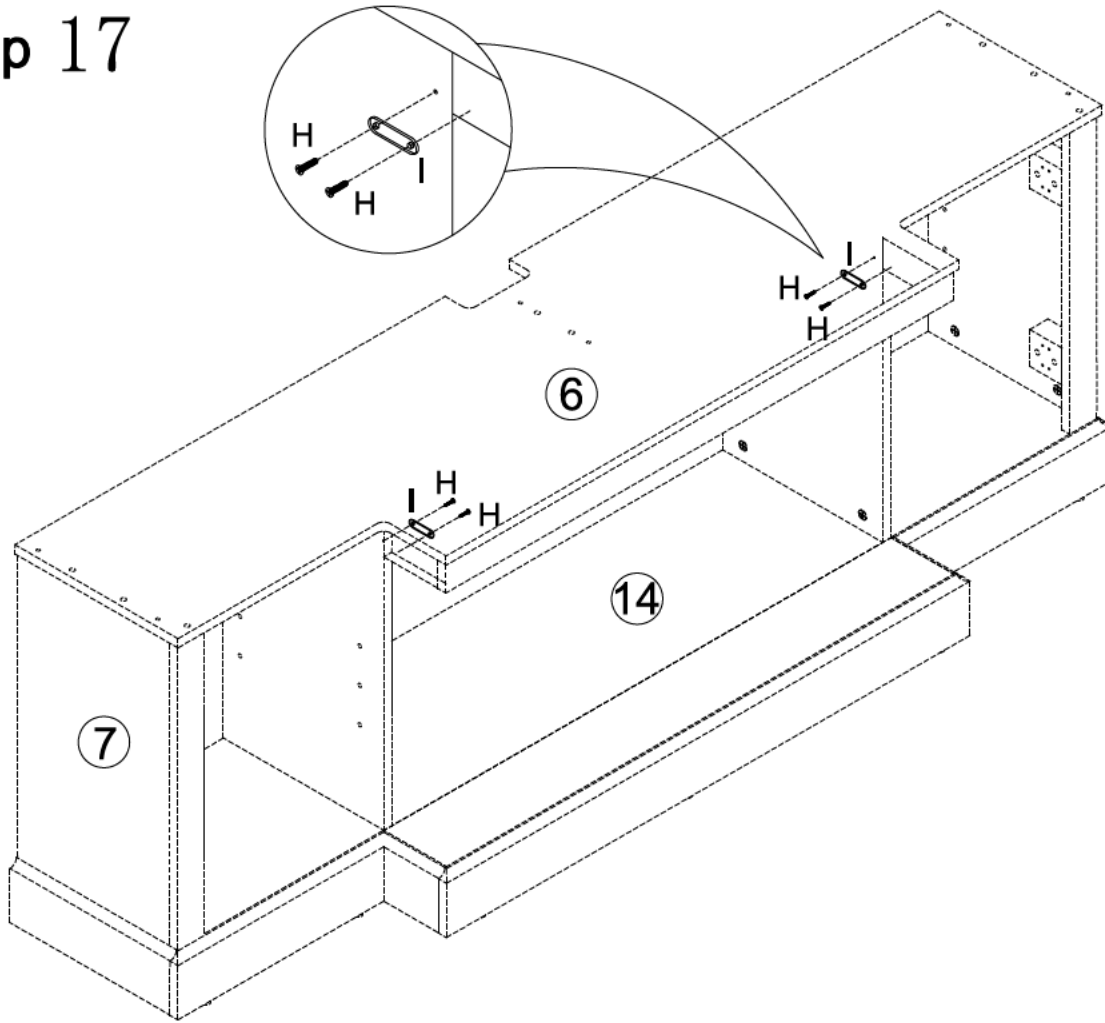
Step 15



Step 16

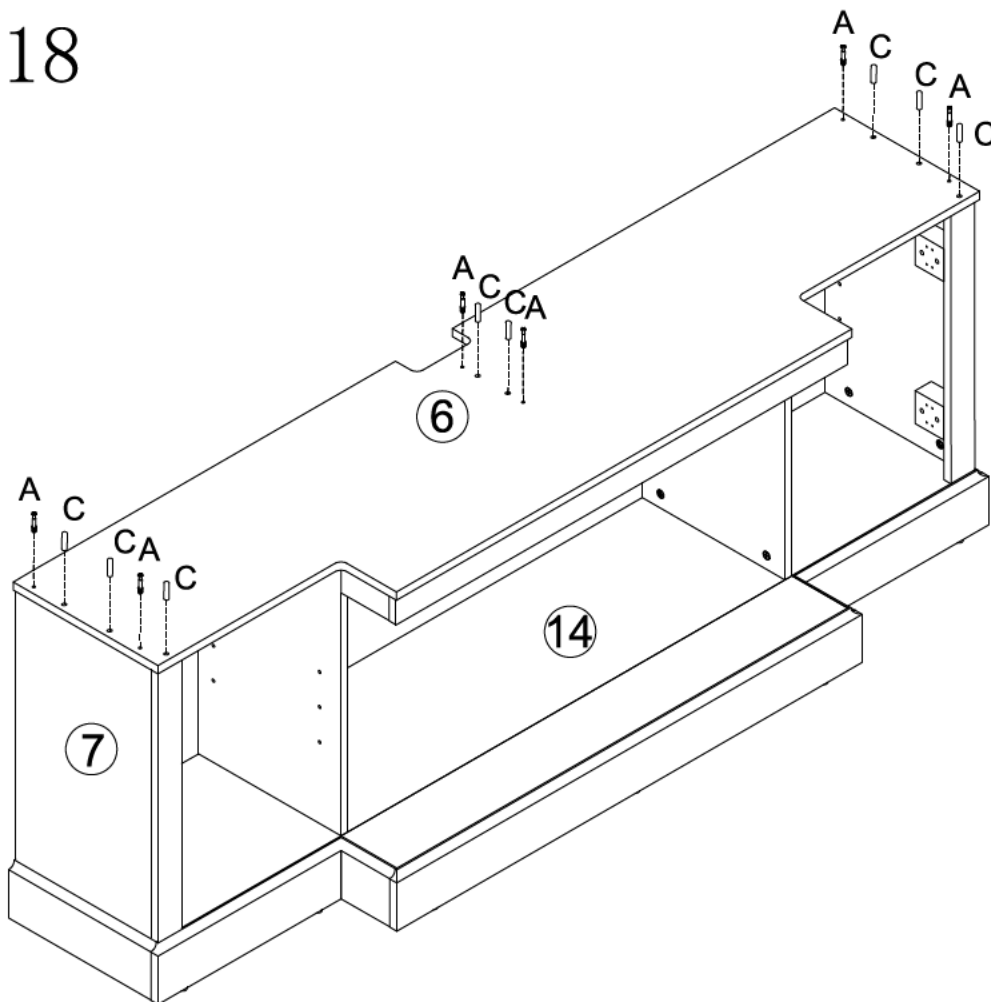


Step 17





H		4
I		2

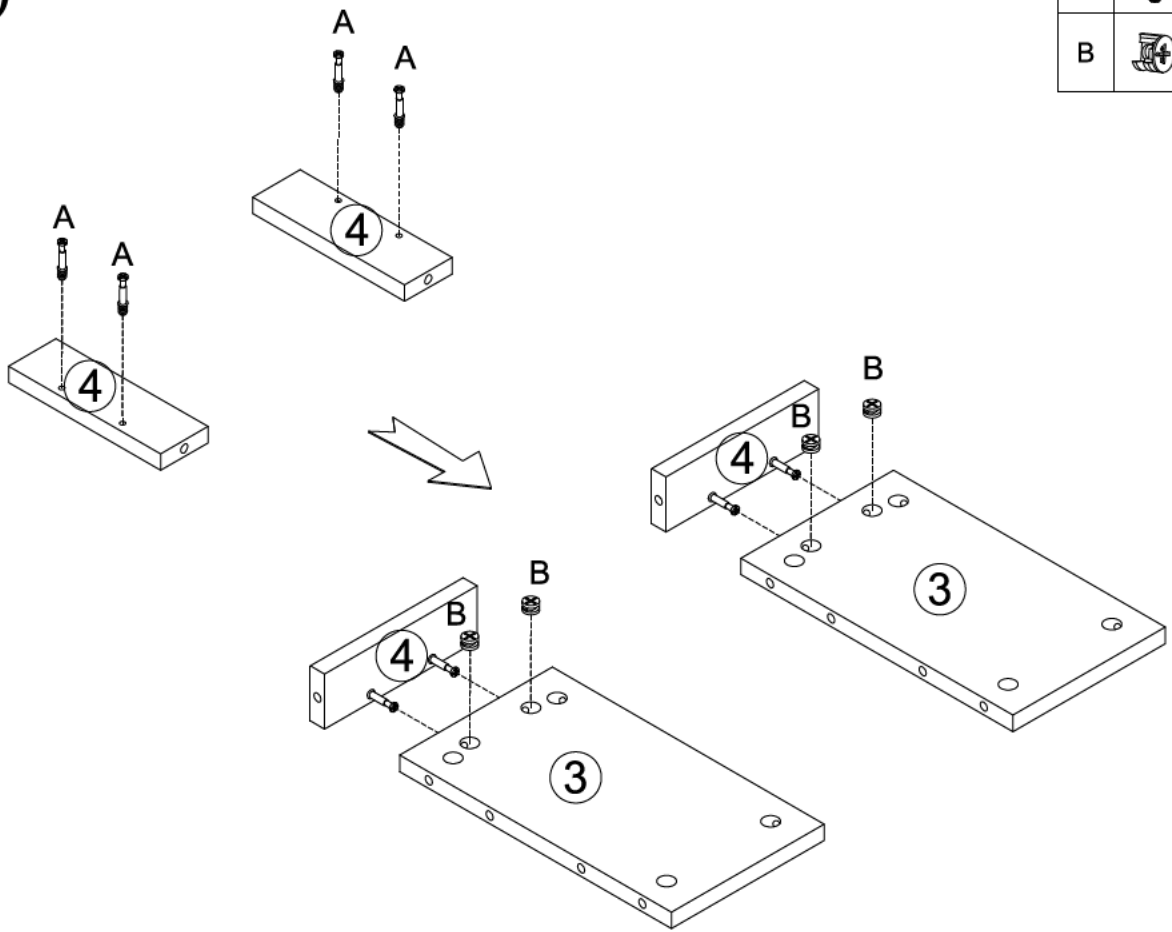
Step 18



A		6
C		8

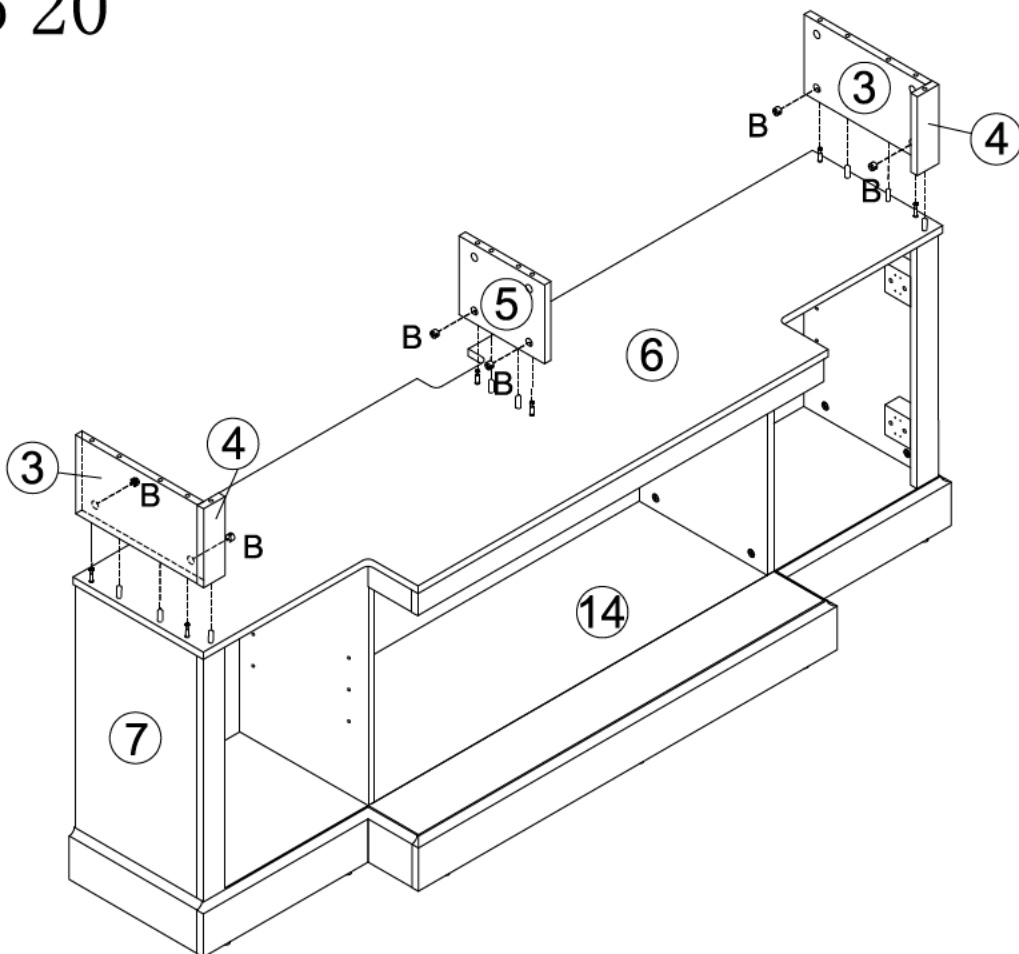
Step 19

A		4
B		4





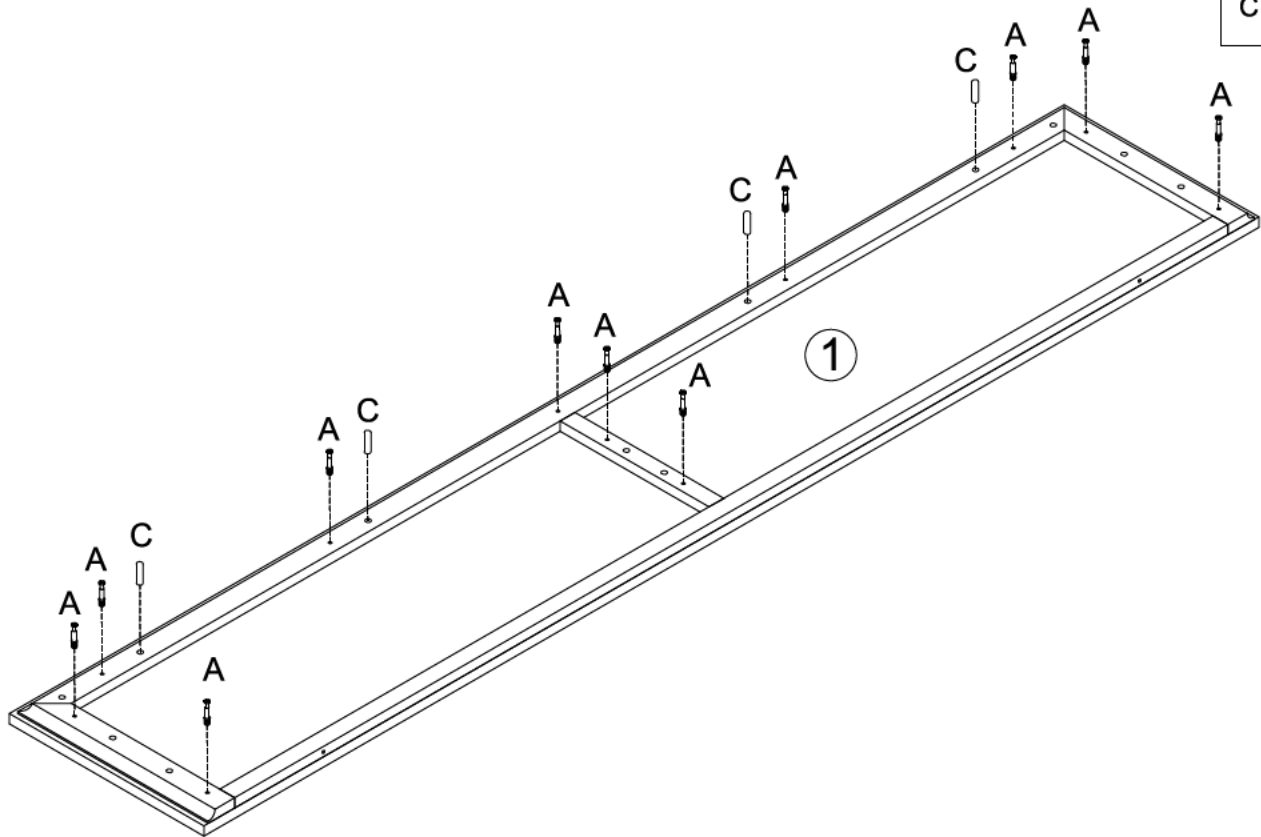
Step 20

B		6
---	---	---



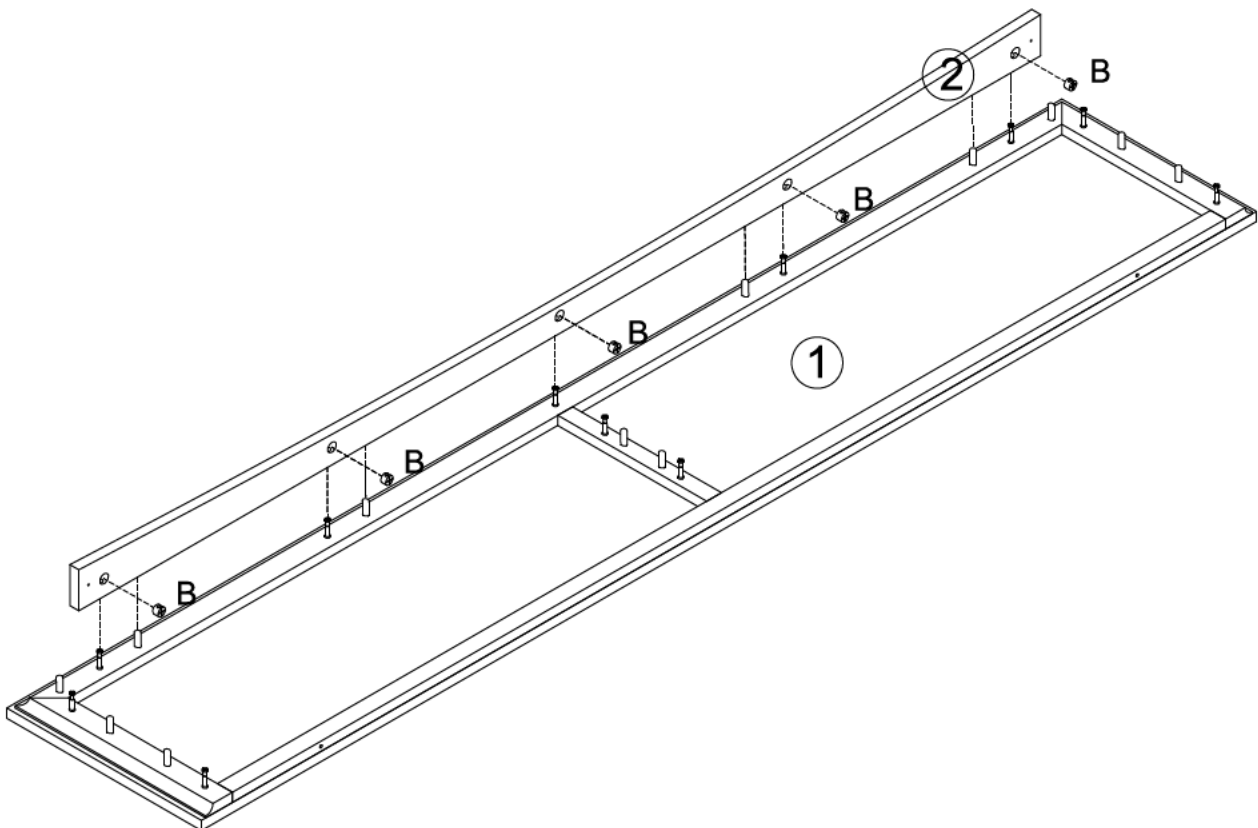
Step 21

A		11
C		4




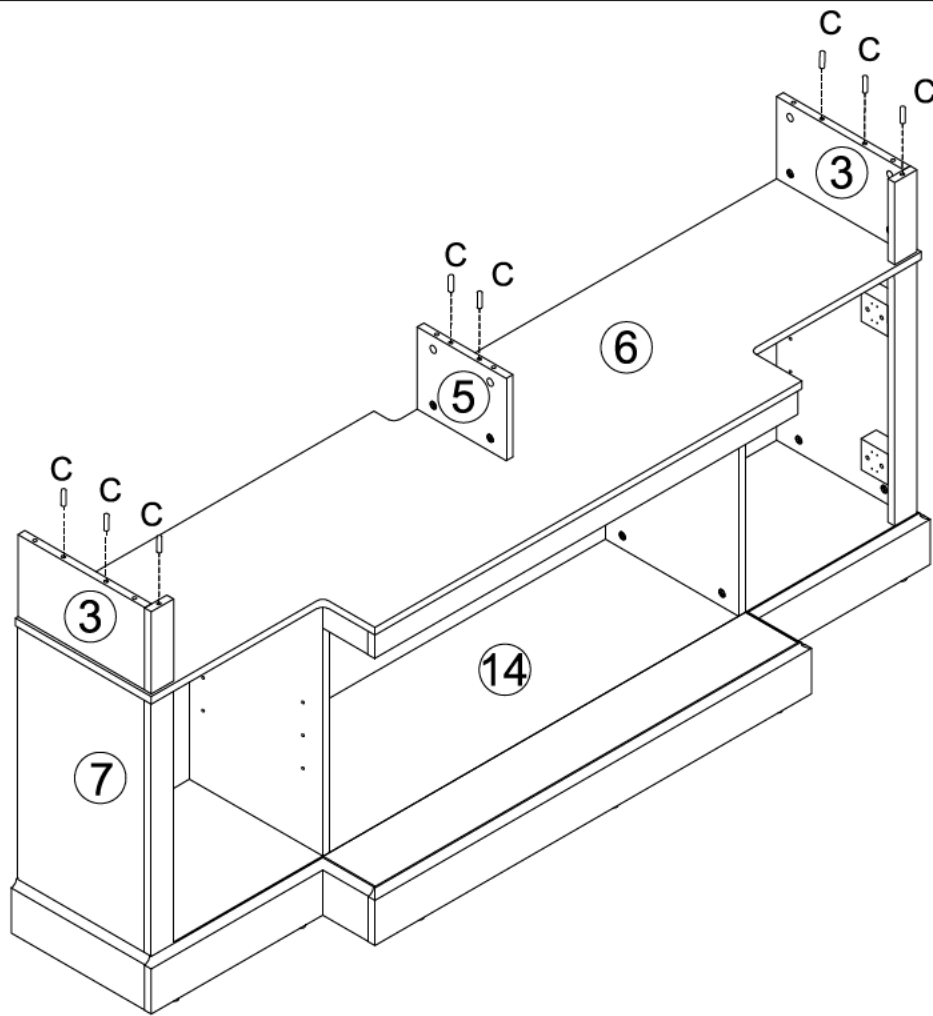
Step 22

B		5
---	---	---




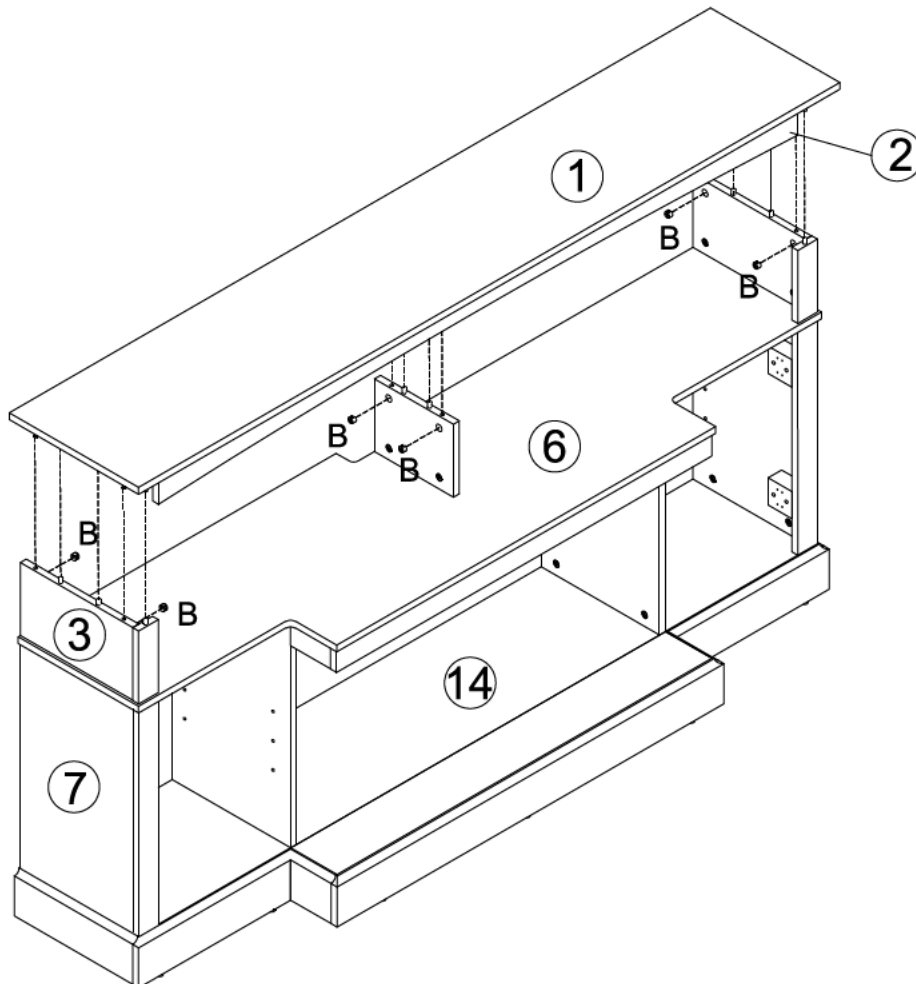
Step 23

C		8
---	--	---

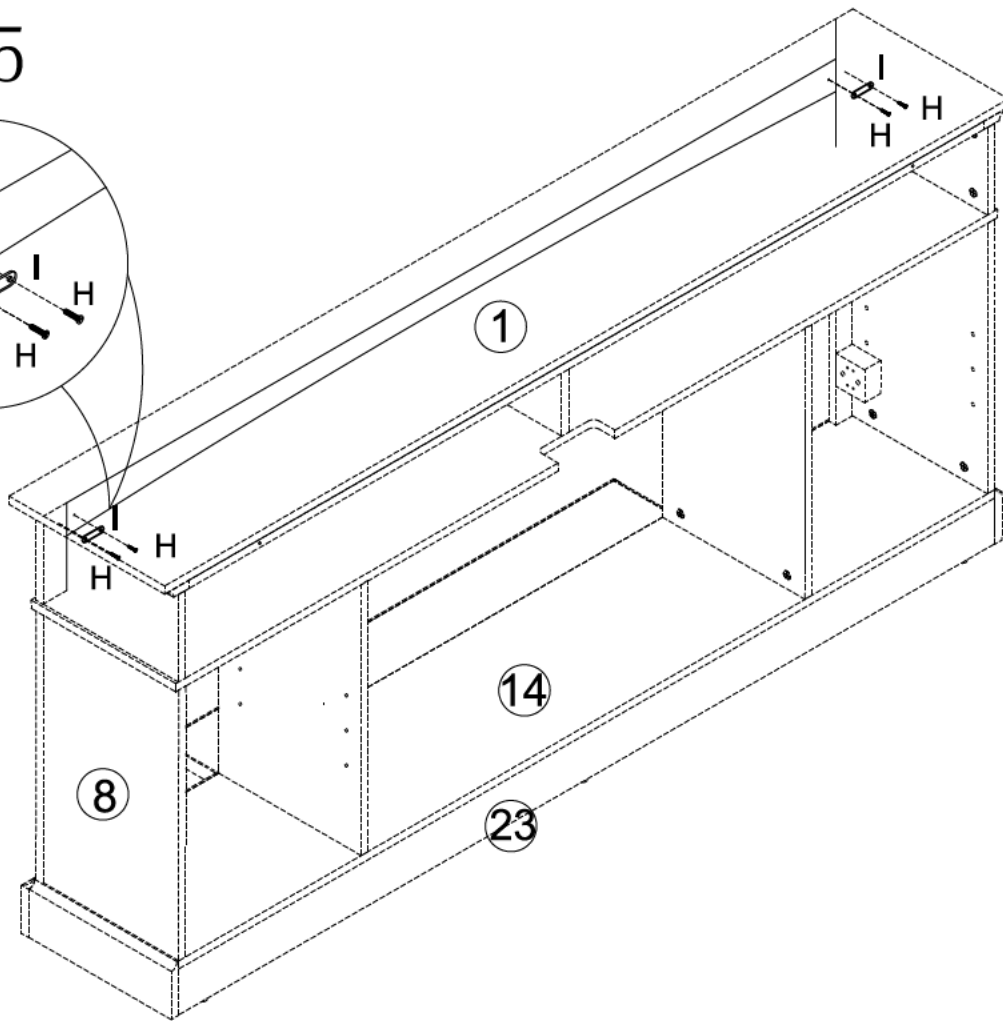
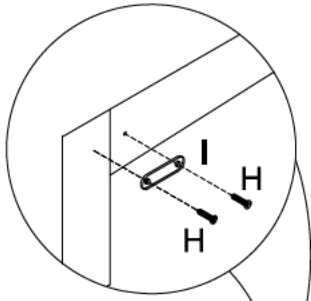




Step 24

B		6
---	---	---

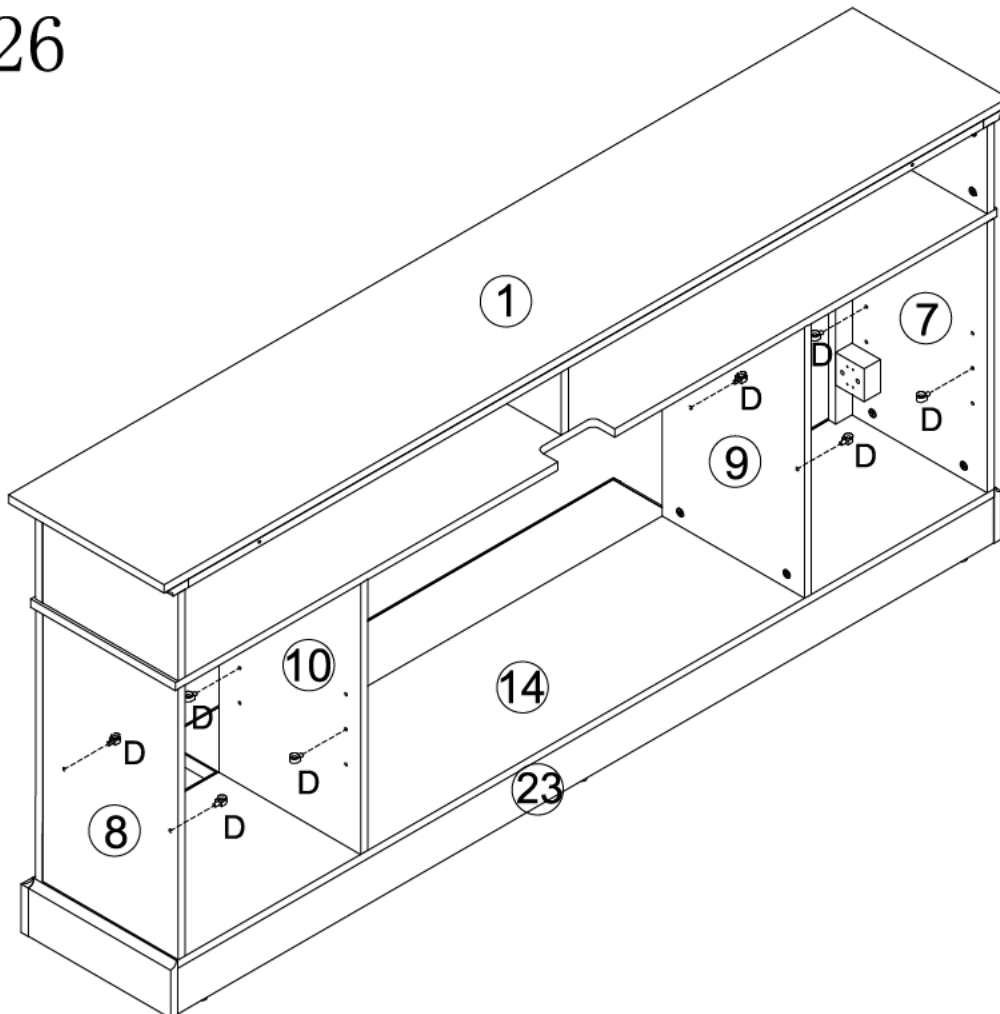



Step 25



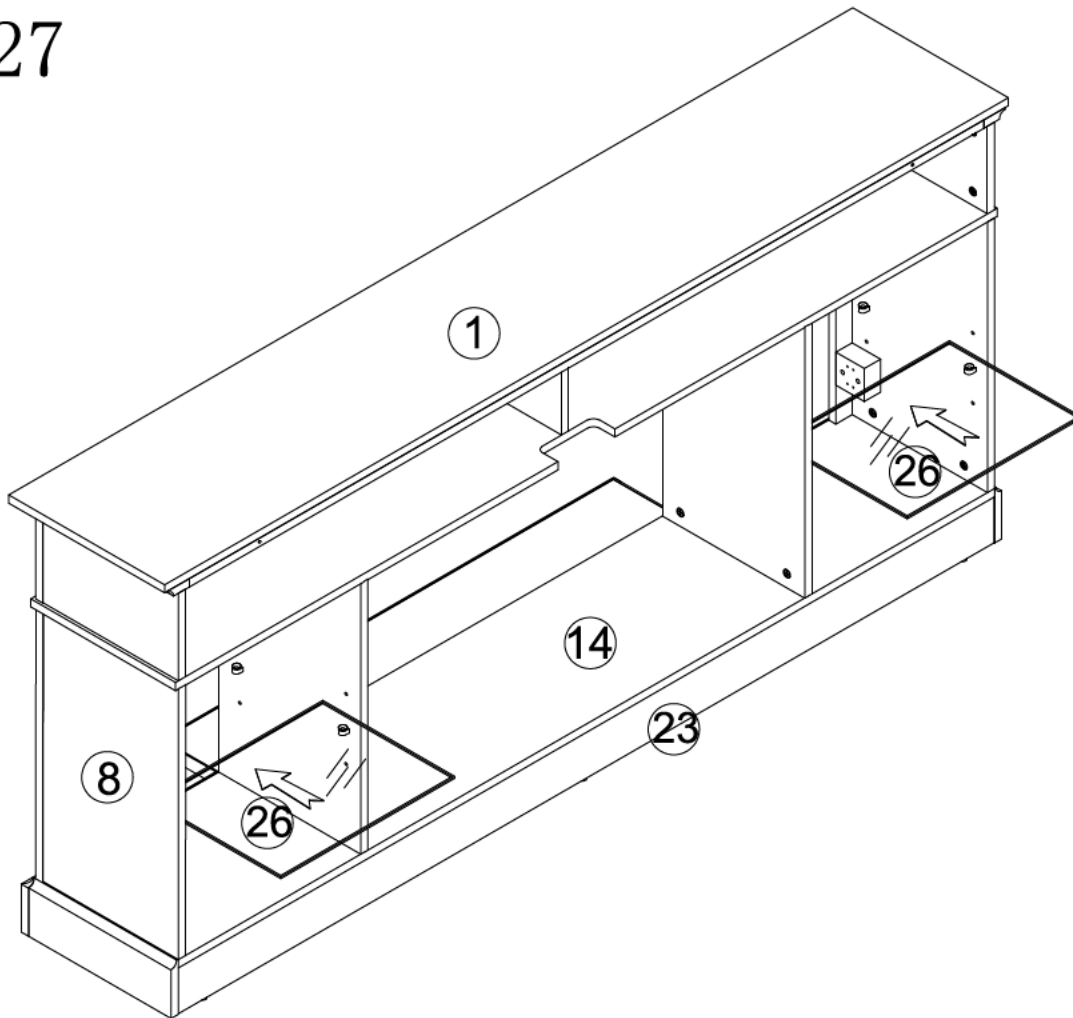
H		4
I		2

Step 26

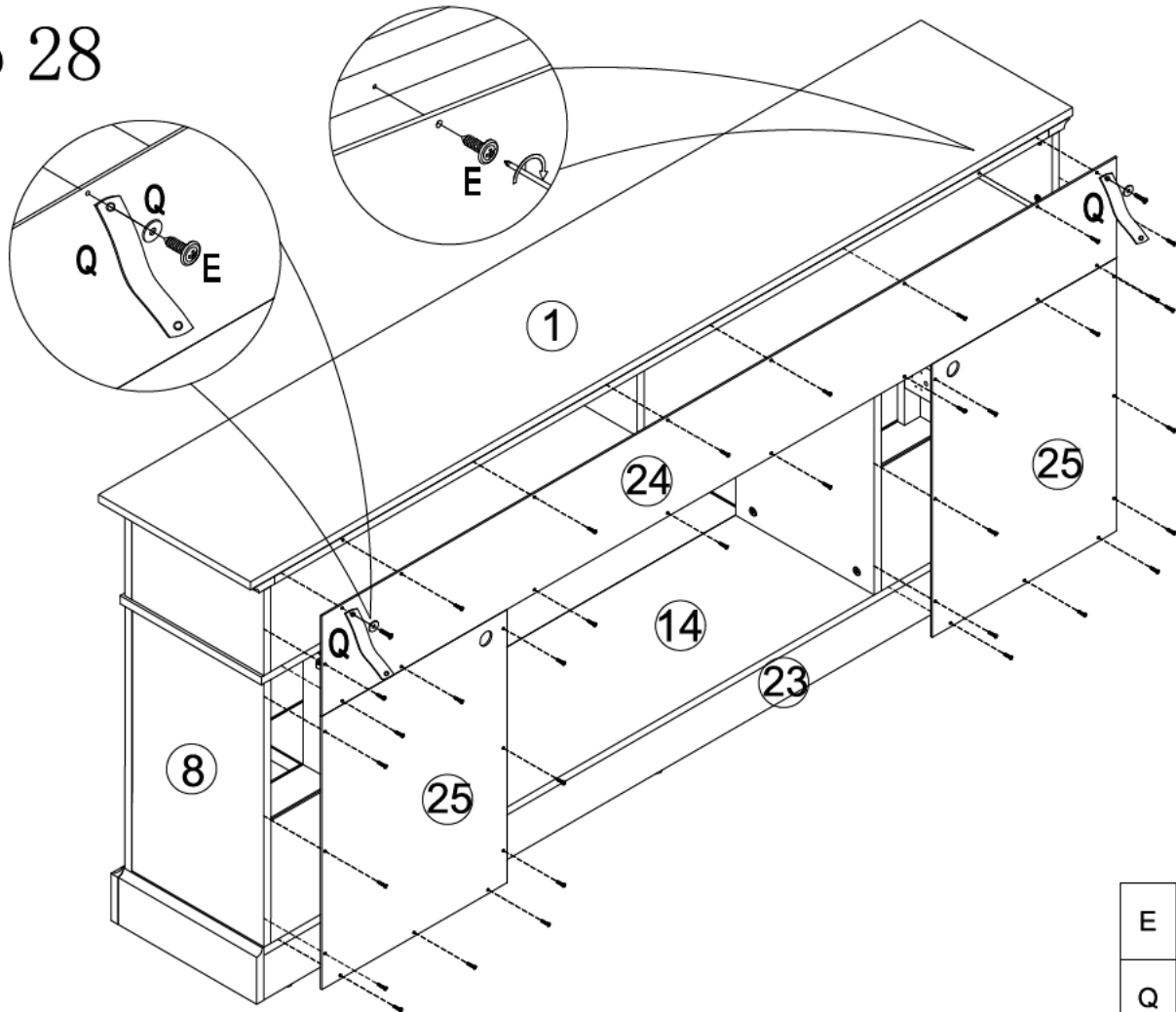




D		8
---	---	---

Step 27





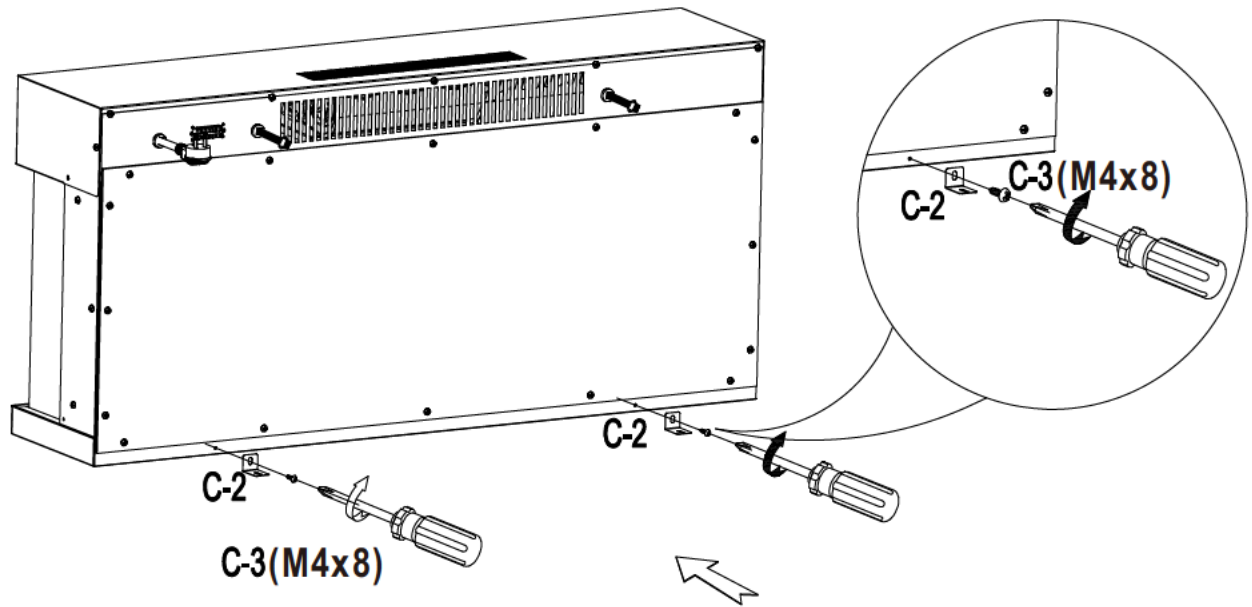
Step 28



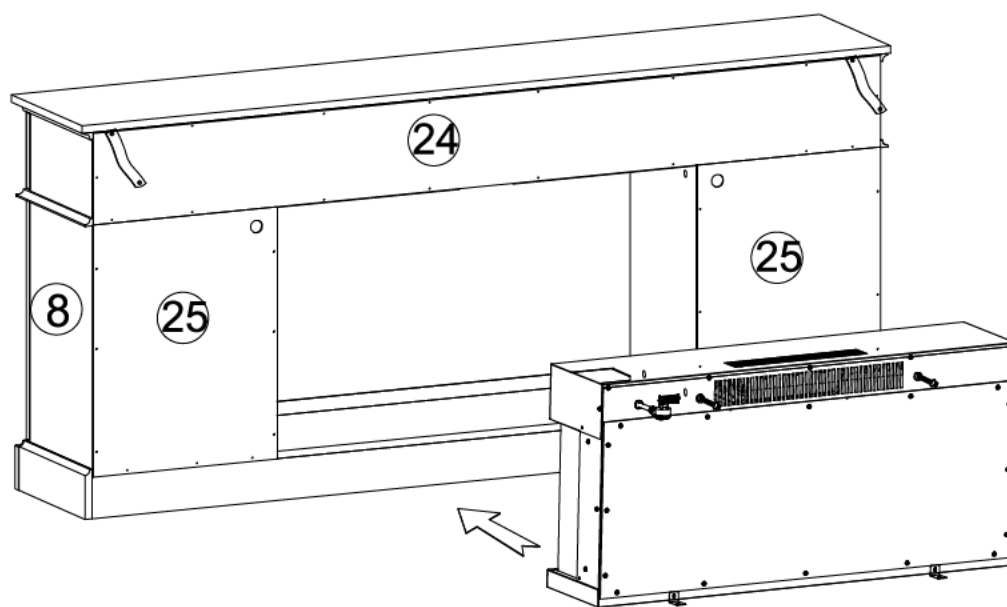
E		36
Q		2

Step 29

C-2		2
C-3(M4x8)		2



Step 30

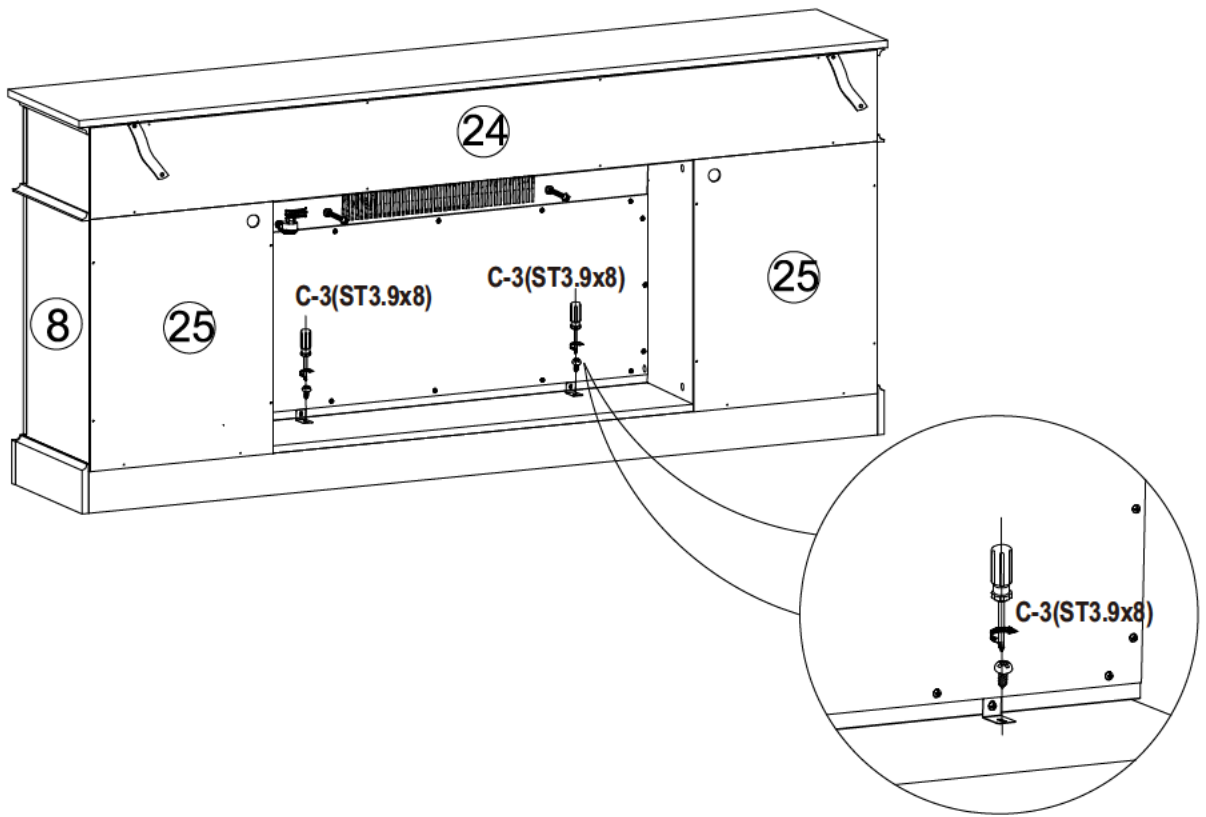


Step 31

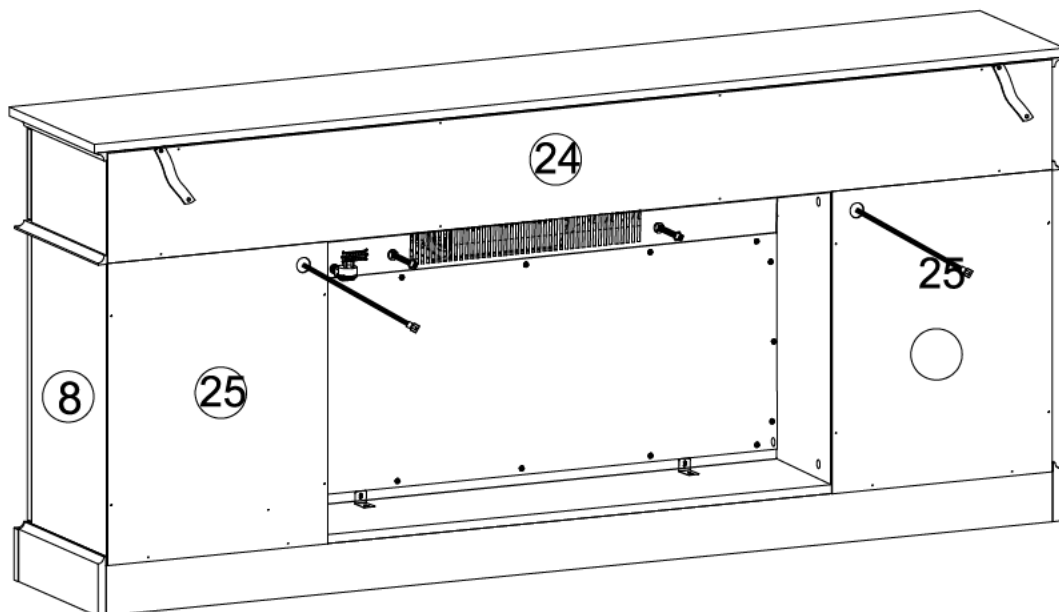
C-3(ST3.9x8)



2

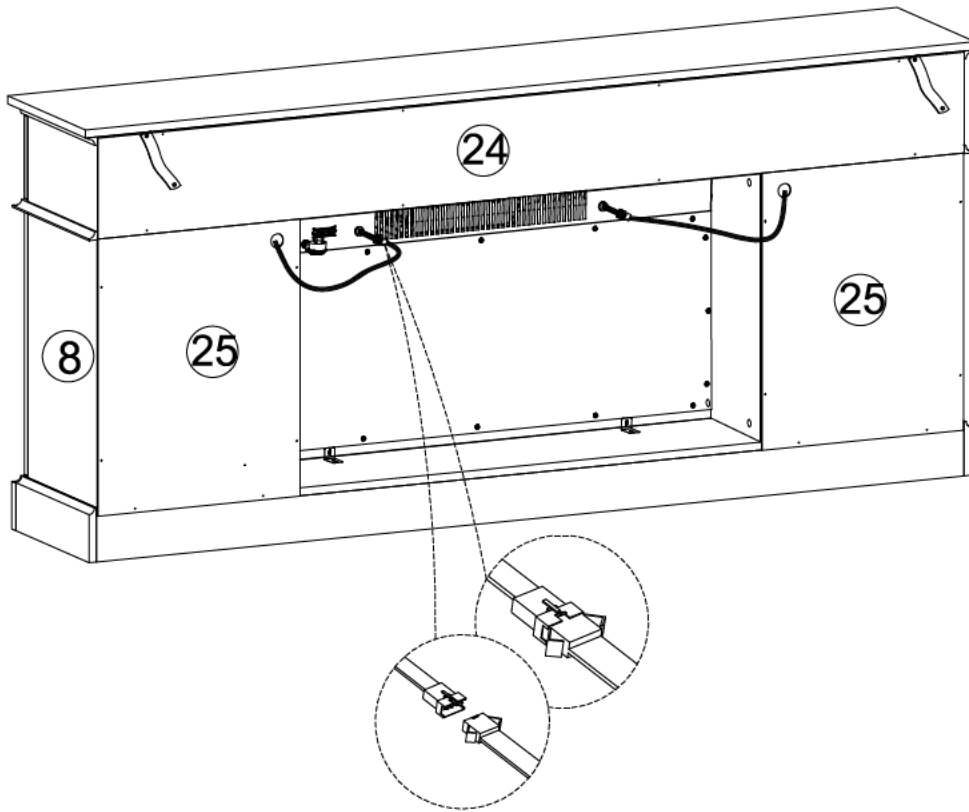


Step 32

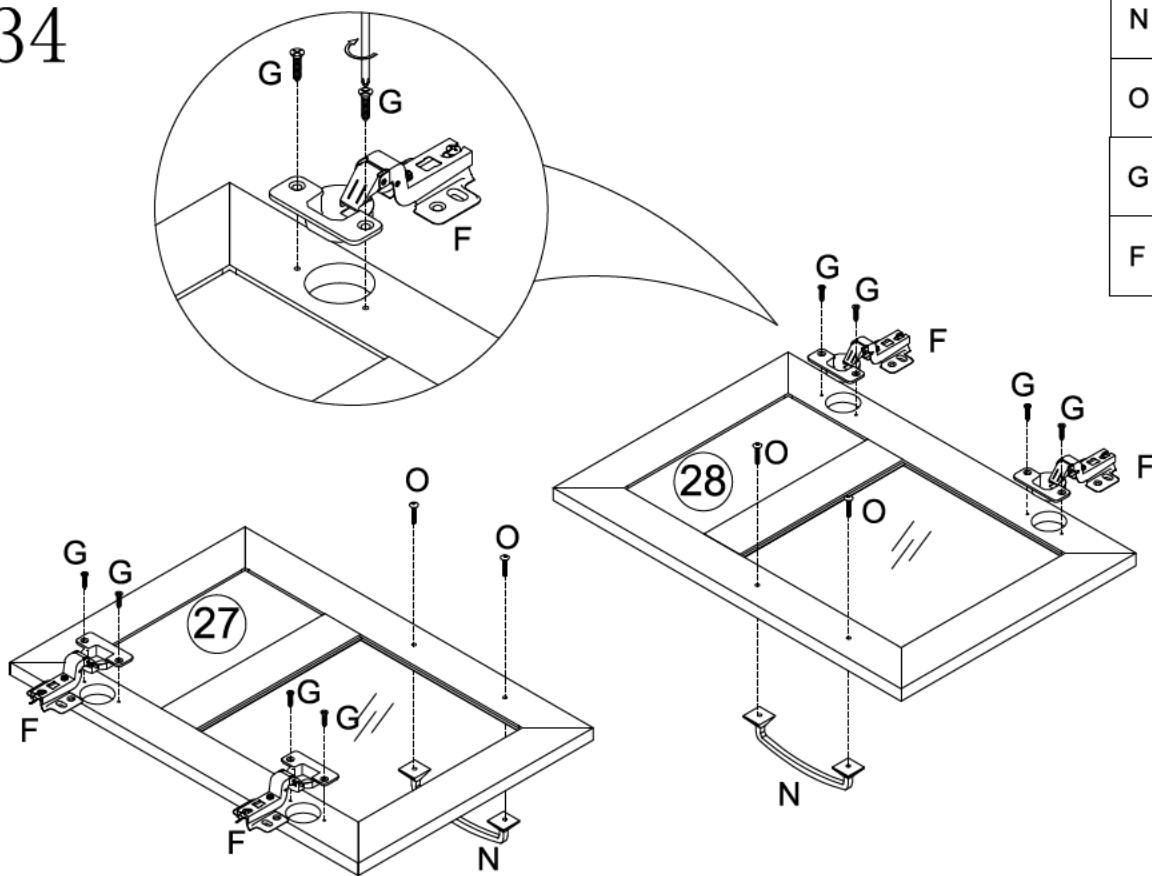






Thread the strip connector through the hole in the backplate

Step 33



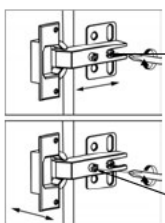
Step 34



N		2
O		4
G		8
F		4

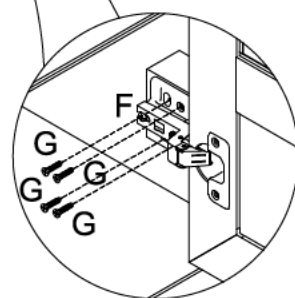
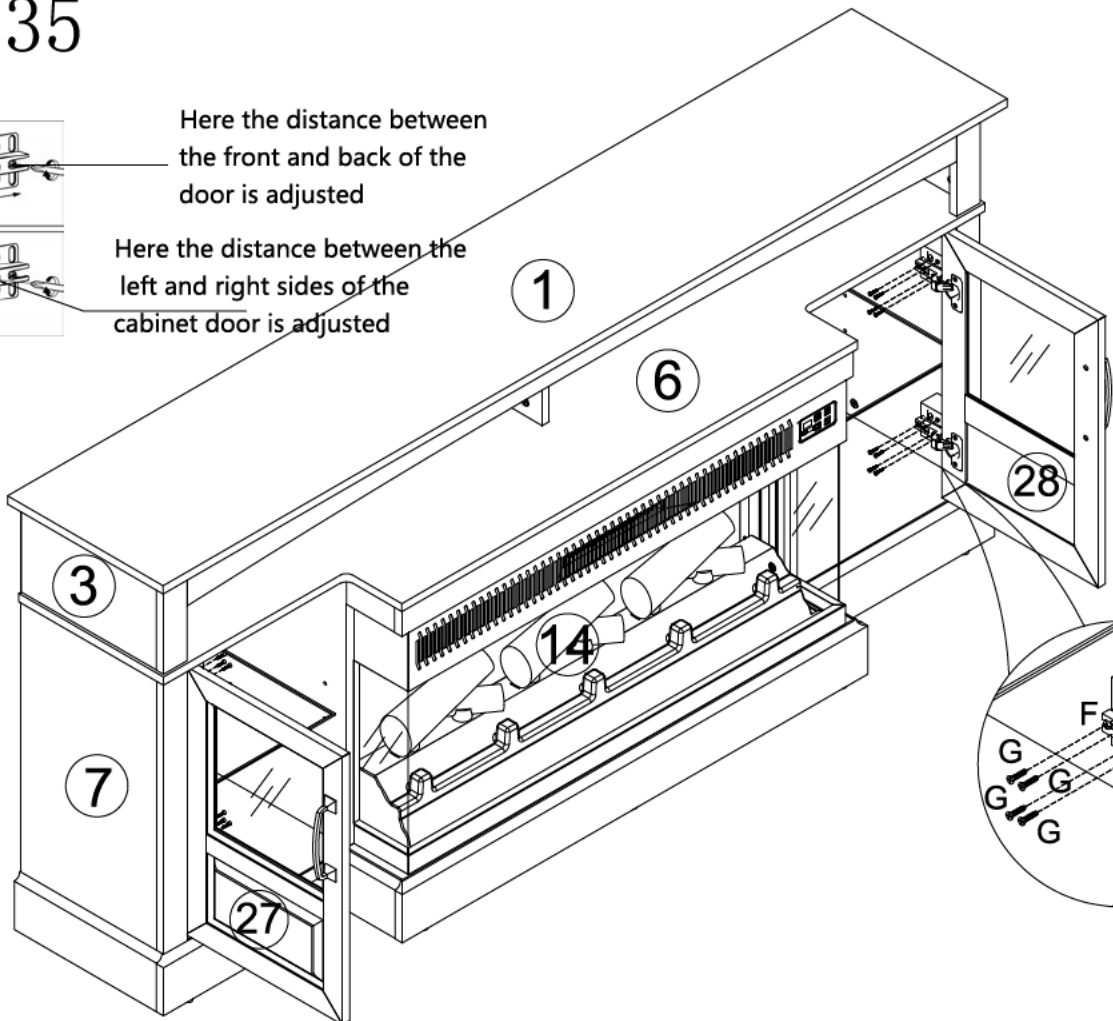
Step 35

G		16
---	--	----





Here the distance between the front and back of the door is adjusted

Here the distance between the left and right sides of the cabinet door is adjusted



Step 36

R		2
Q		2

