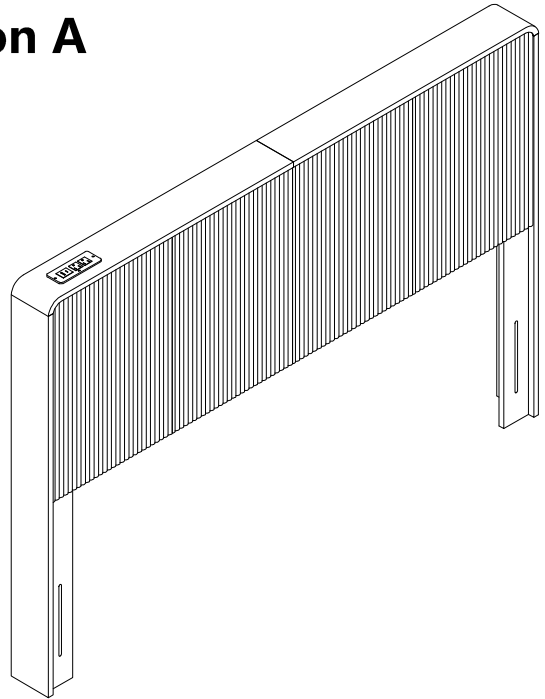
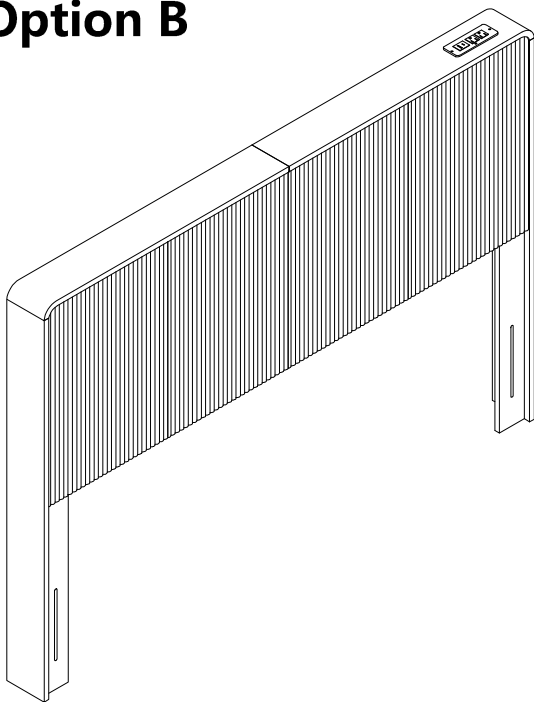


Assembly Instructions

Option A



Option B

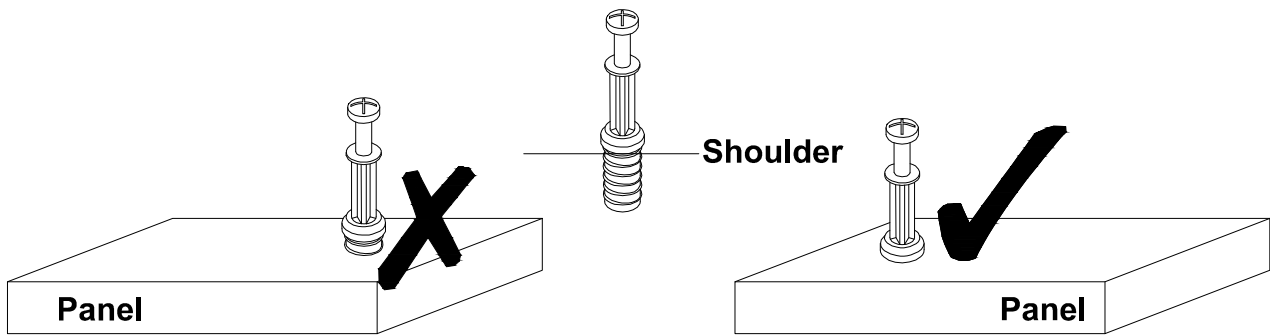


Before Assembly

Tips Before Your Start:

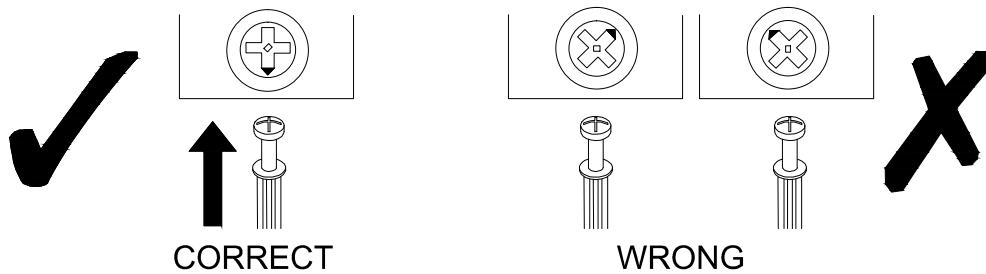
- Remove all wrapping material, including staples & packing straps before you start to assemble.
- DO NOT tighten all screws and bolts until the assembly is completely assembled.
- Keep all hardware parts out of reach of children.

QUICKFIT



Tighten quickfit until shoulder is flush with panel. Do not overtighten or undertighten.

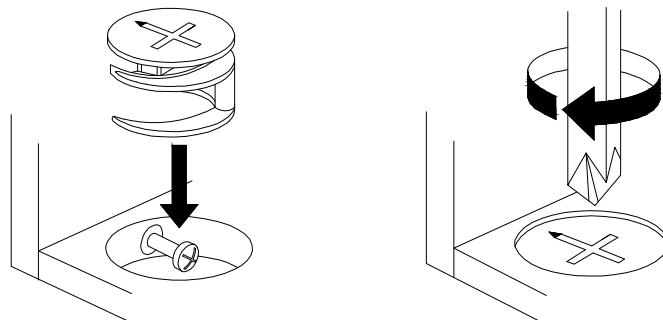
CAM LOCK



When fitting a cam lock, ensure the starting position is correct before inserting the connecting QUI CKFIT

Quickfit head should be in the centre of the cam lock when the two panels are joined.

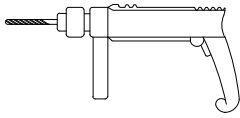
Cam lock should be inserted before quickfit.



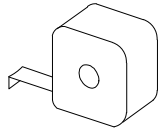
Turn cam lock clockwise to tighten.

Part List

Please prepare the following tools



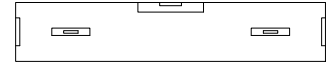
Drill




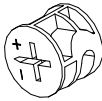

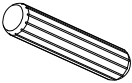
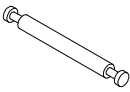
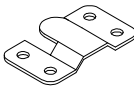
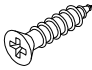
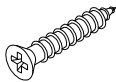
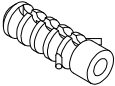
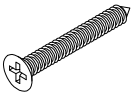
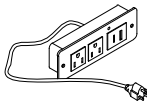

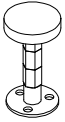
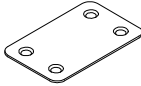
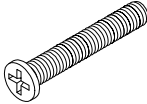
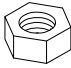
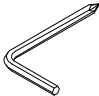
Measuring tape



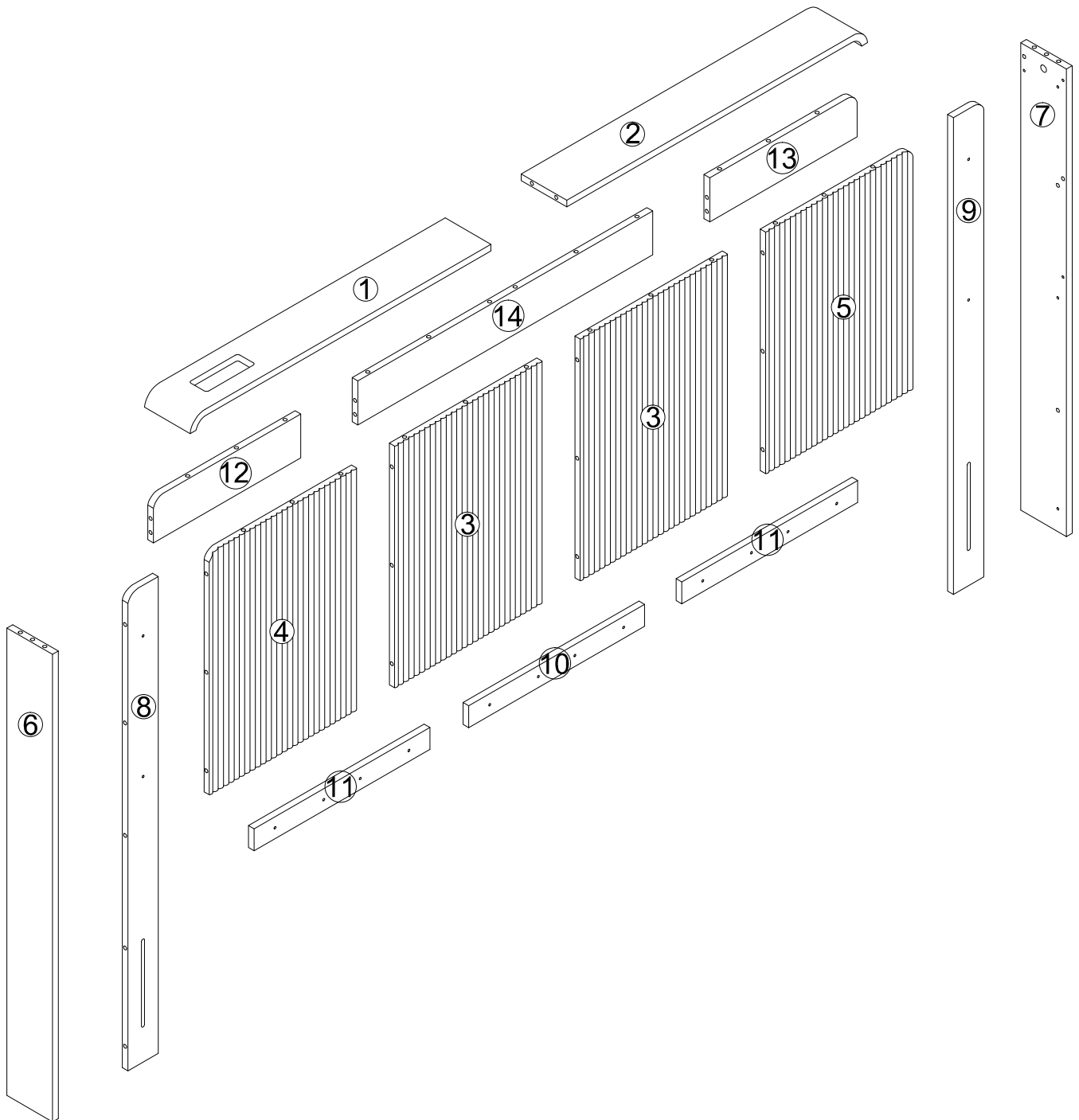
pencil



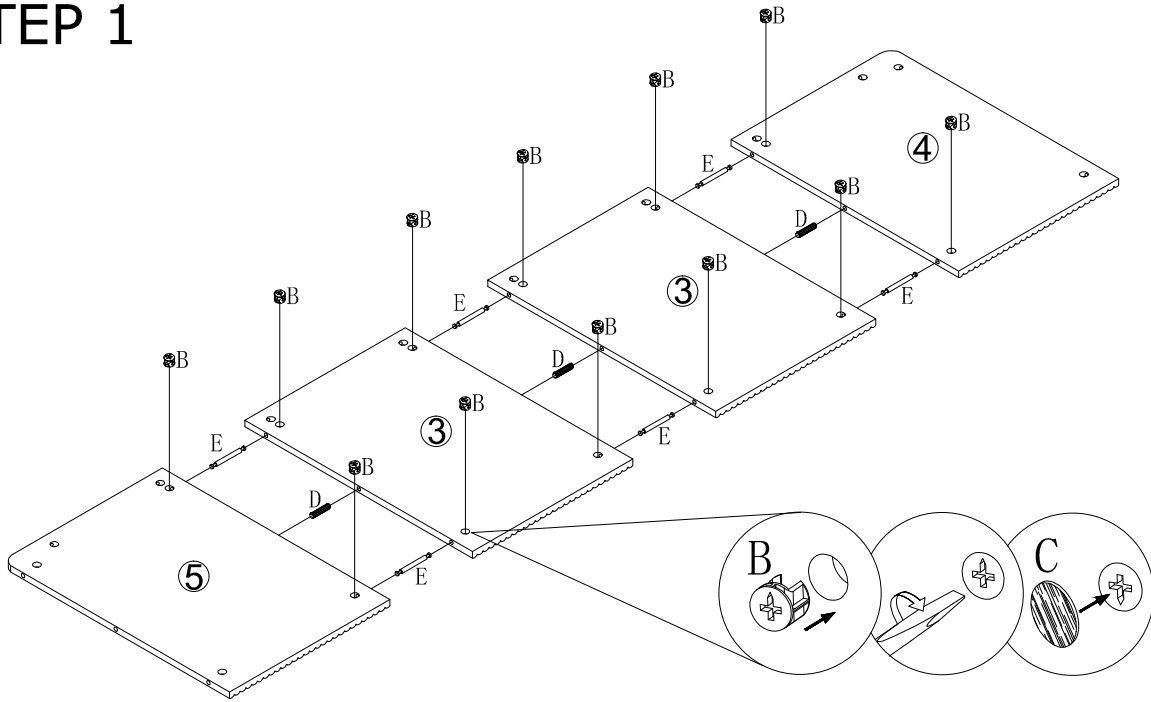
Level

<p>No. A Quantity:30 Pcs Cam Lock Dowel 8*28mm</p> 	<p>No. B Quantity:46 Pcs Cam φ15</p> 	<p>No. C Quantity:46 Pcs Sticker Ø20</p> 	<p>No. D Quantity:27 Pcs Dowel 8*30mm</p> 
<p>No. E Quantity:8 Pcs Double-ended rod 6*64mm</p> 	<p>No. F Quantity:2 Sets</p> 	<p>No. G Quantity:17 Pcs Screw M3.5*14mm</p> 	<p>No. H Quantity:16 Pcs Screw M3.5*25mm</p> 
<p>No. I Quantity:8 Pcs Expansion bolt M8*40mm</p> 	<p>No. J Quantity:8 Pcs Screw M4*30mm</p> 	<p>No. K Quantity:1 Pc Power strip</p> 	<p>No. L Quantity:2 Pcs Screwdriver</p> 
<p>No. M Quantity:1 Pc</p> 	<p>No. N Quantity:1 Pc Connecting piece 60*38*1.5mm</p> 	<p>No. O Quantity:8 Pcs Screw M6*60mm</p> 	<p>No. P Quantity:8 Pcs Hex nut M8</p> 
<p>No. Q Quantity:1 Pc Allen Key 4#</p> 			

Product structure



STEP 1



No. B
Quantity: 12 Pcs
Ø15



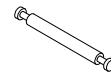
No. C
Quantity: 12 Pcs
Ø20



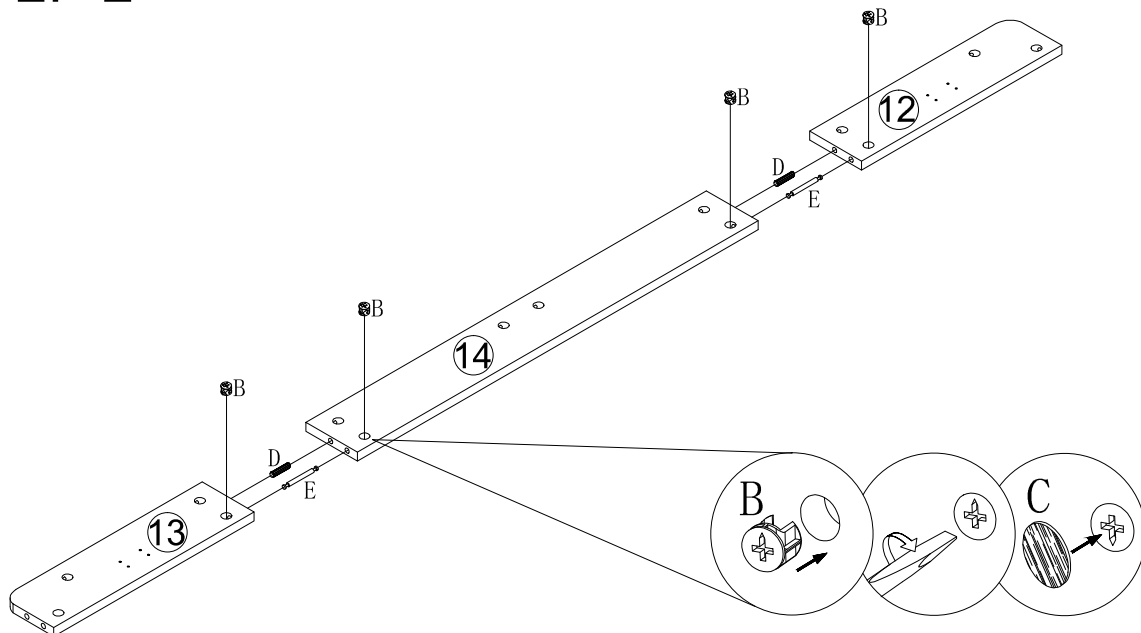
No. D
Quantity: 3 Pcs
8*30mm



No. E
Quantity: 6 Pcs
6*64mm



STEP 2



No. B
Quantity: 4 Pcs
Ø15



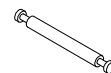
No. C
Quantity: 4 Pcs
Ø20



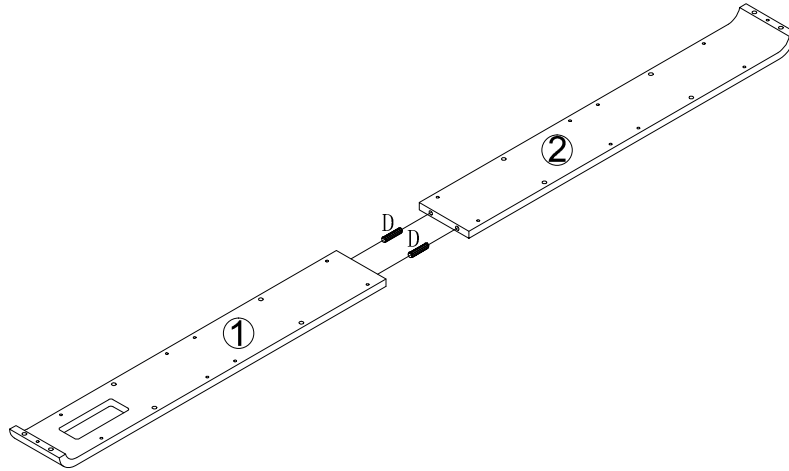
No. D
Quantity: 2 Pcs
8*30mm



No. E
Quantity: 2 Pcs
6*64mm



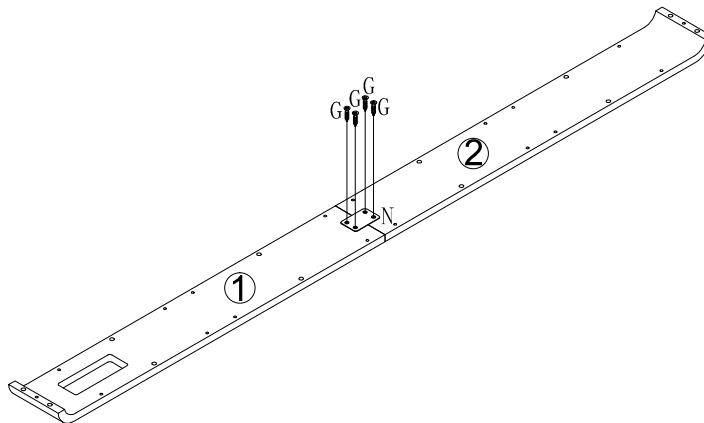
STEP 3



No. D
Quantity: 2 Pcs
8*30mm



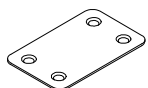
STEP 4



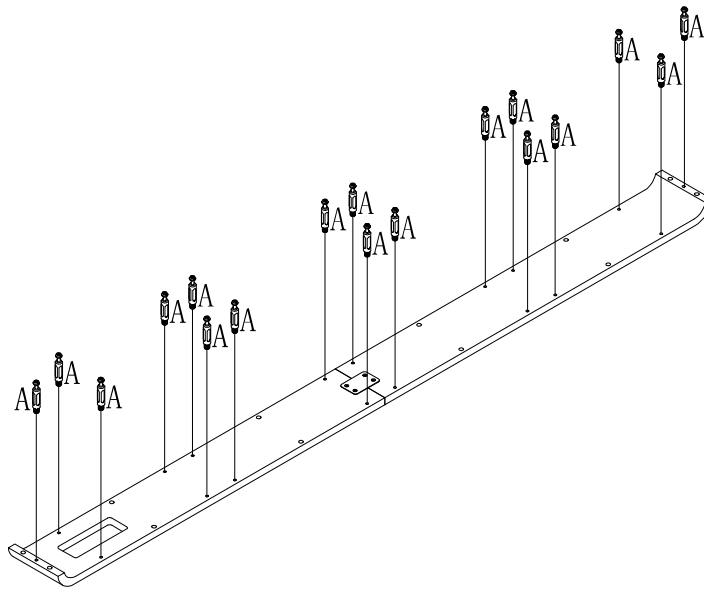
No. G
Quantity: 4 Pcs
M3.5*14mm



No. N
Quantity: 1 Pc
60*38*1.5mm



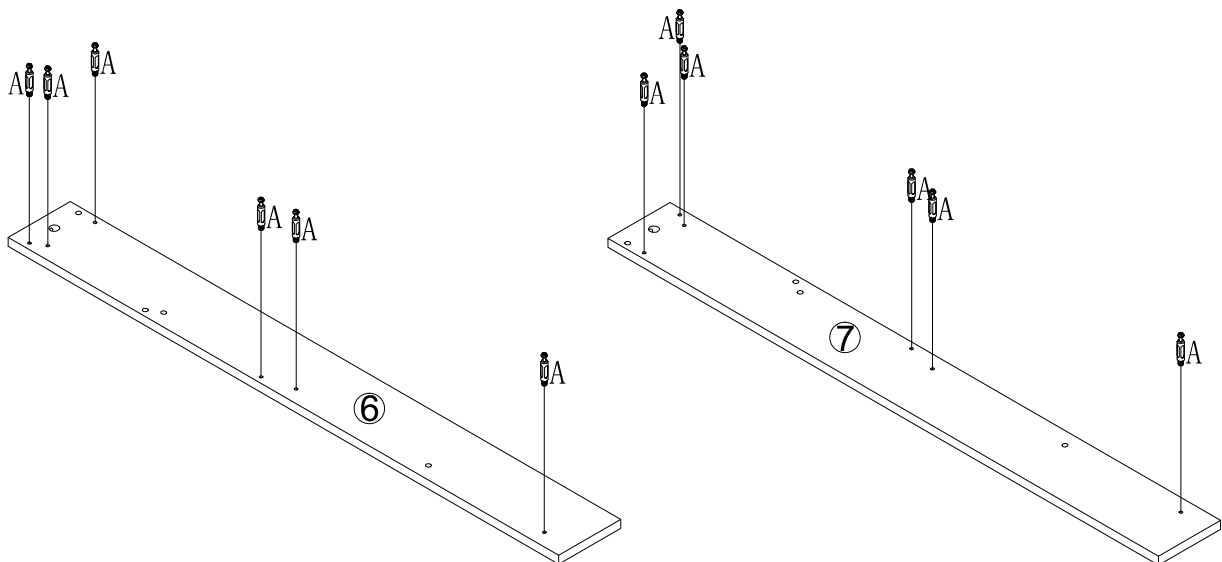
STEP 5



No. A
Quantity: 18 Pcs
8*28 mm



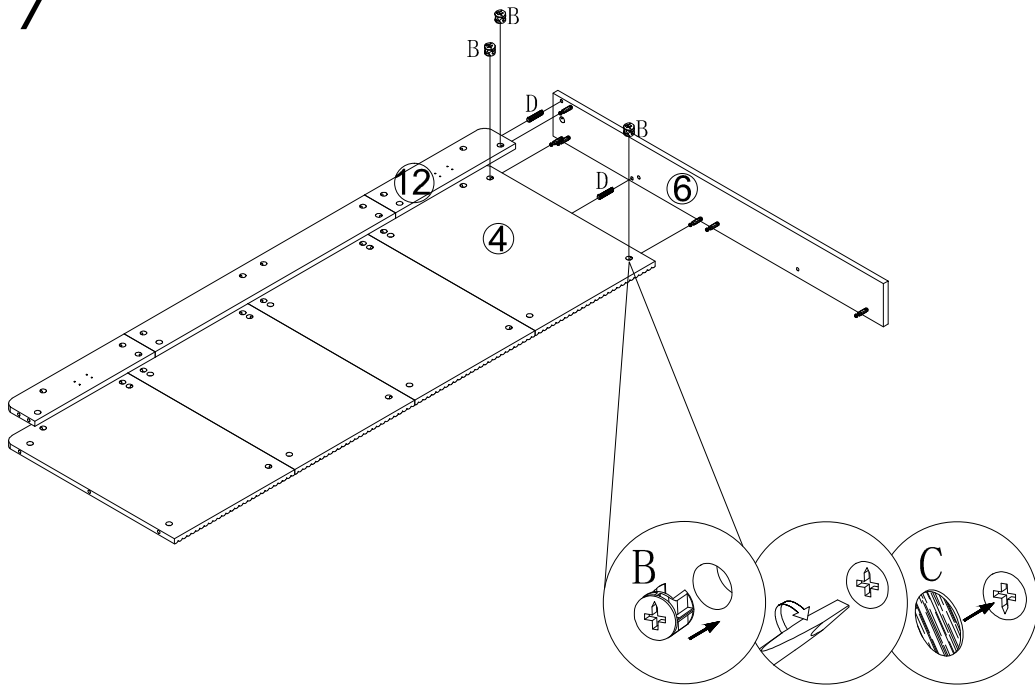
STEP 6



No. A
Quantity: 12 Pcs
8*28 mm



STEP 7



No. B
Quantity: 3 Pcs
Ø15



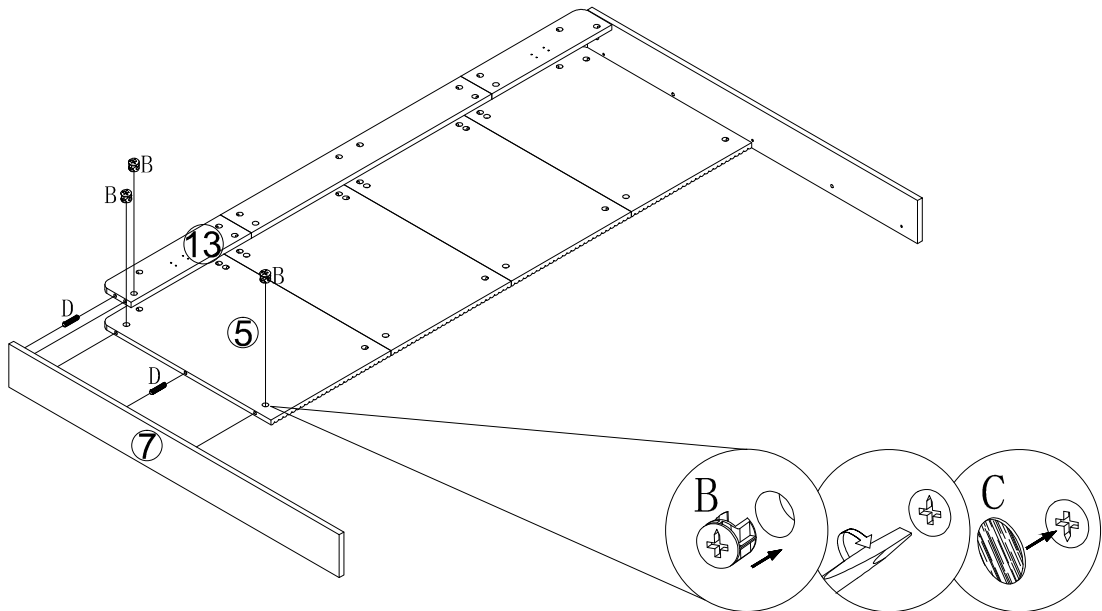
No. C
Quantity: 3 Pcs
Ø20



No. D
Quantity: 2 Pcs
8*30mm



STEP 8



No. B
Quantity: 3 Pcs
Ø15



No. C
Quantity: 3 Pcs
Ø20



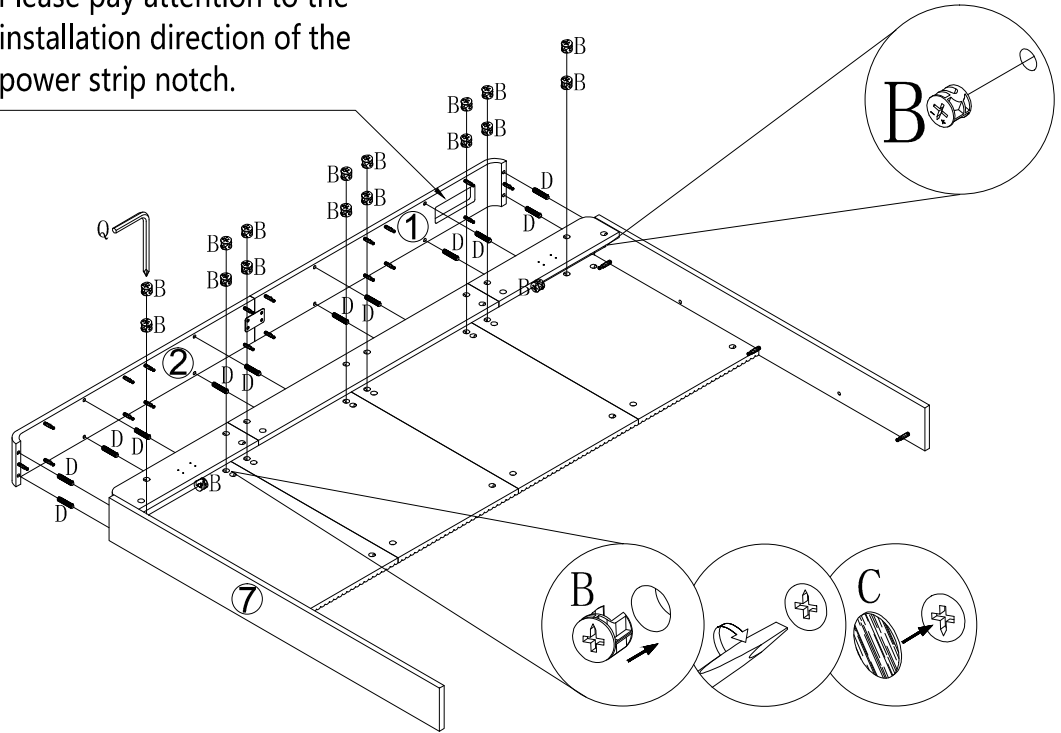
No. D
Quantity: 2 Pcs
8*30mm



STEP 9

Please pay attention to the installation direction of the power strip notch.

Option A



No. B
Quantity: 18 Pcs
Ø15



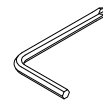
No. C
Quantity: 18 Pcs
Ø20



No. D
Quantity: 12 Pcs
8*30mm



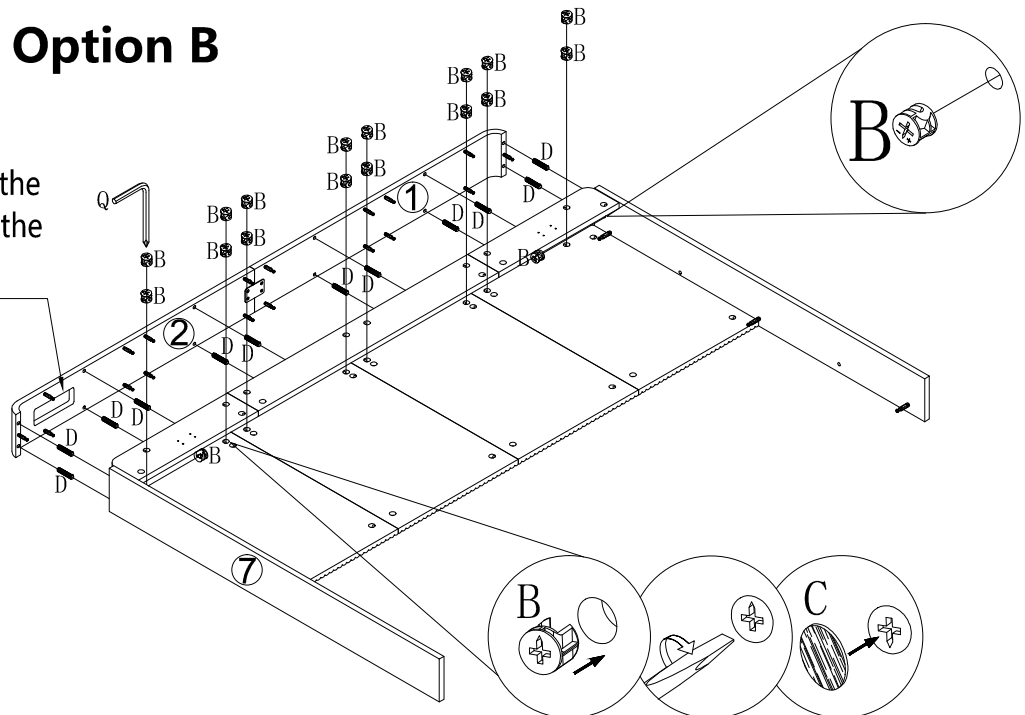
No. Q
Quantity: 1 Pc
4#



STEP 10

Option B

Please pay attention to the installation direction of the power strip notch.



No. B
Quantity: 18 Pcs
Ø15



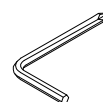
No. C
Quantity: 18 Pcs
Ø20



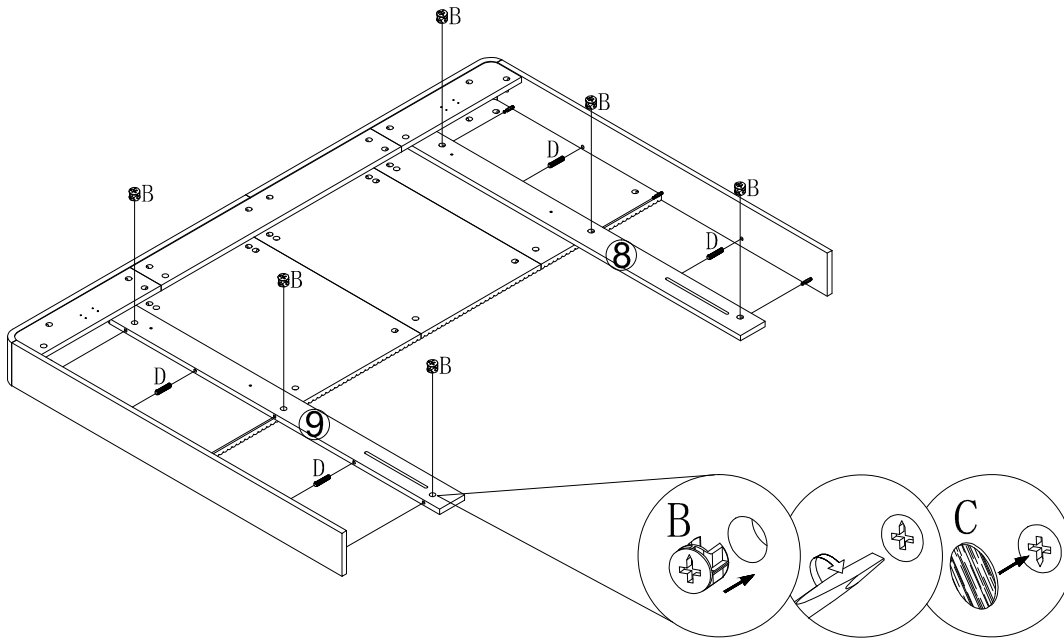
No. D
Quantity: 12 Pcs
8*30mm



No. Q
Quantity: 1 Pc
4#



STEP 11



No. B
Quantity: 6 Pcs
Ø15



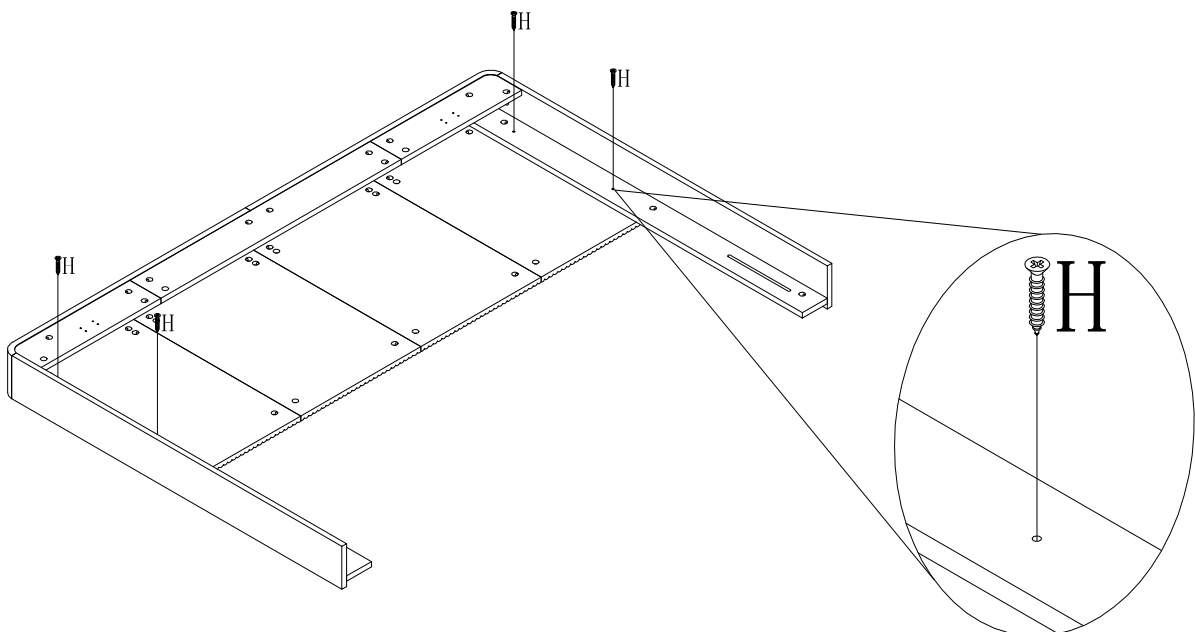
No. C
Quantity: 6 Pcs
Ø20



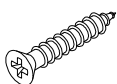
No. D
Quantity: 4 Pcs
8*30mm



STEP 12

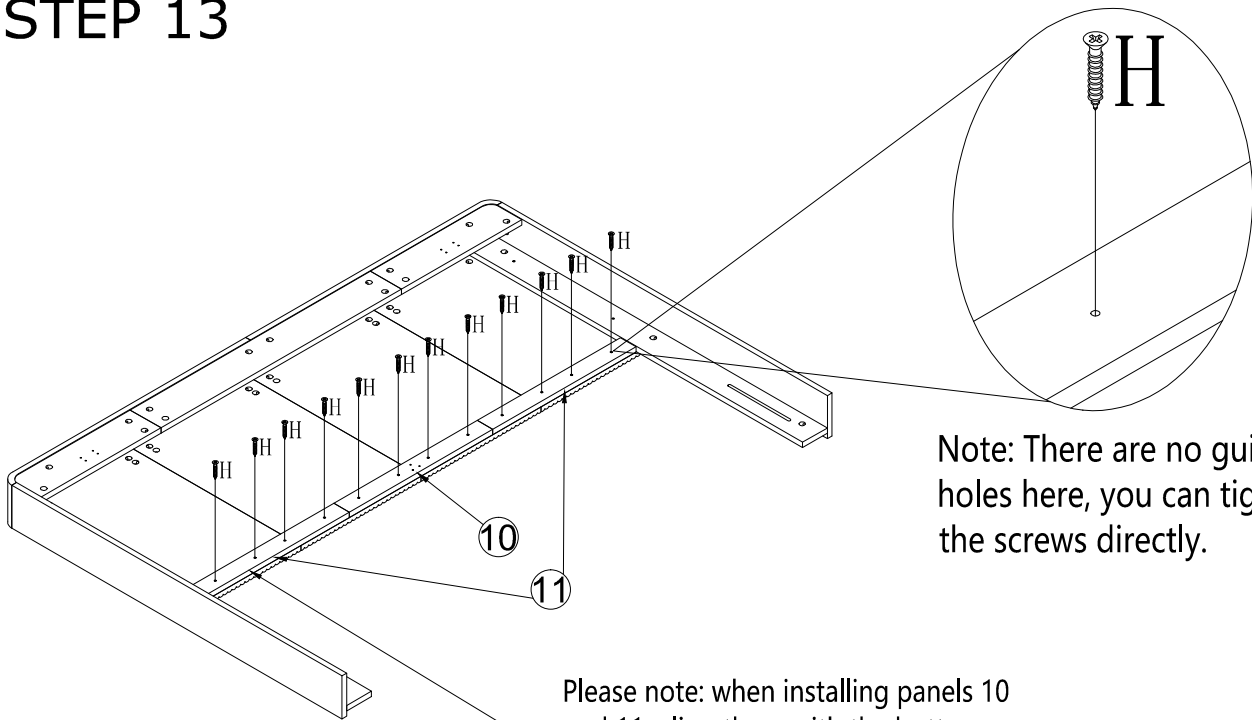


No. H
Quantity: 4 Pcs
M3.5*25mm



Note: There are no guide holes here, you can tighten the screws directly.

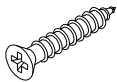
STEP 13



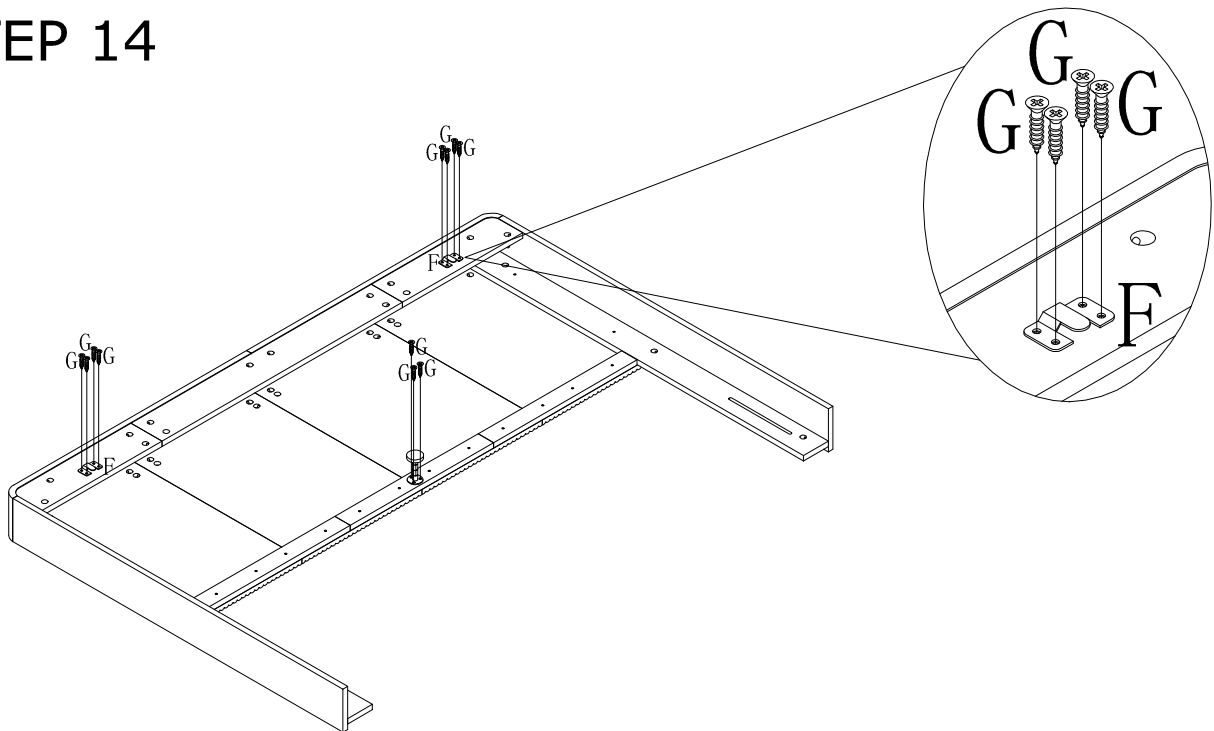
Note: There are no guide holes here, you can tighten the screws directly.

Please note: when installing panels 10 and 11, align them with the bottom.

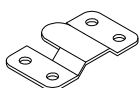
No. H
Quantity: 12 Pcs
M3.5*25mm



STEP 14



No. F
Quantity: 2 Pcs



No. G
Quantity: 11 Pcs
M3.5*14mm

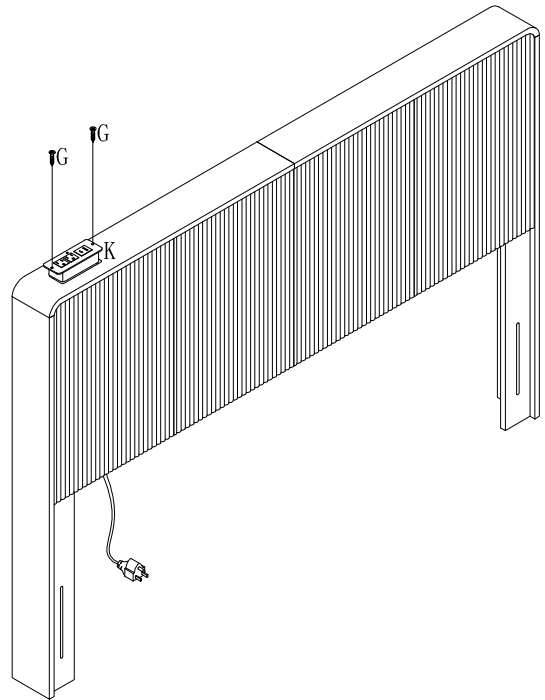


No. M
Quantity: 1 Pc



STEP 15

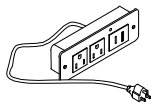
Option A



No. G
Quantity: 2 Pcs
M3.5*14mm

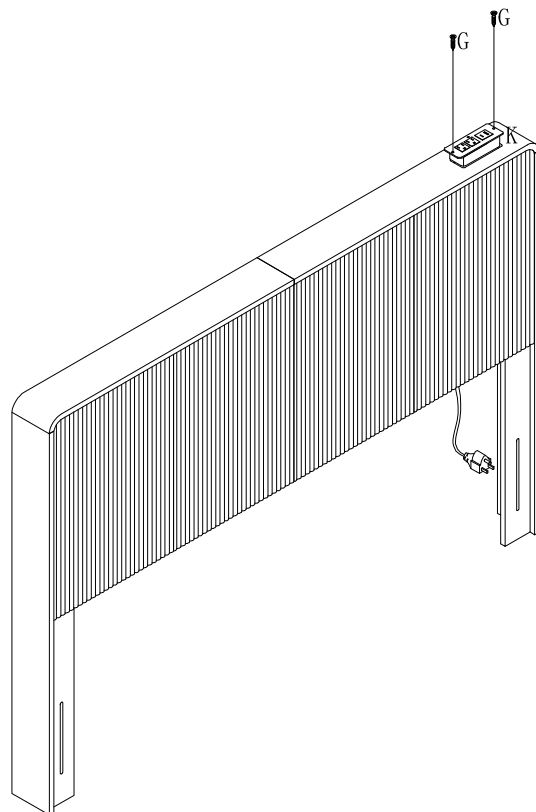


No. K
Quantity: 1 Pc



STEP 16

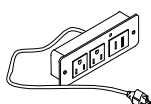
Option B



No. G
Quantity: 2 Pcs
M3.5*14mm

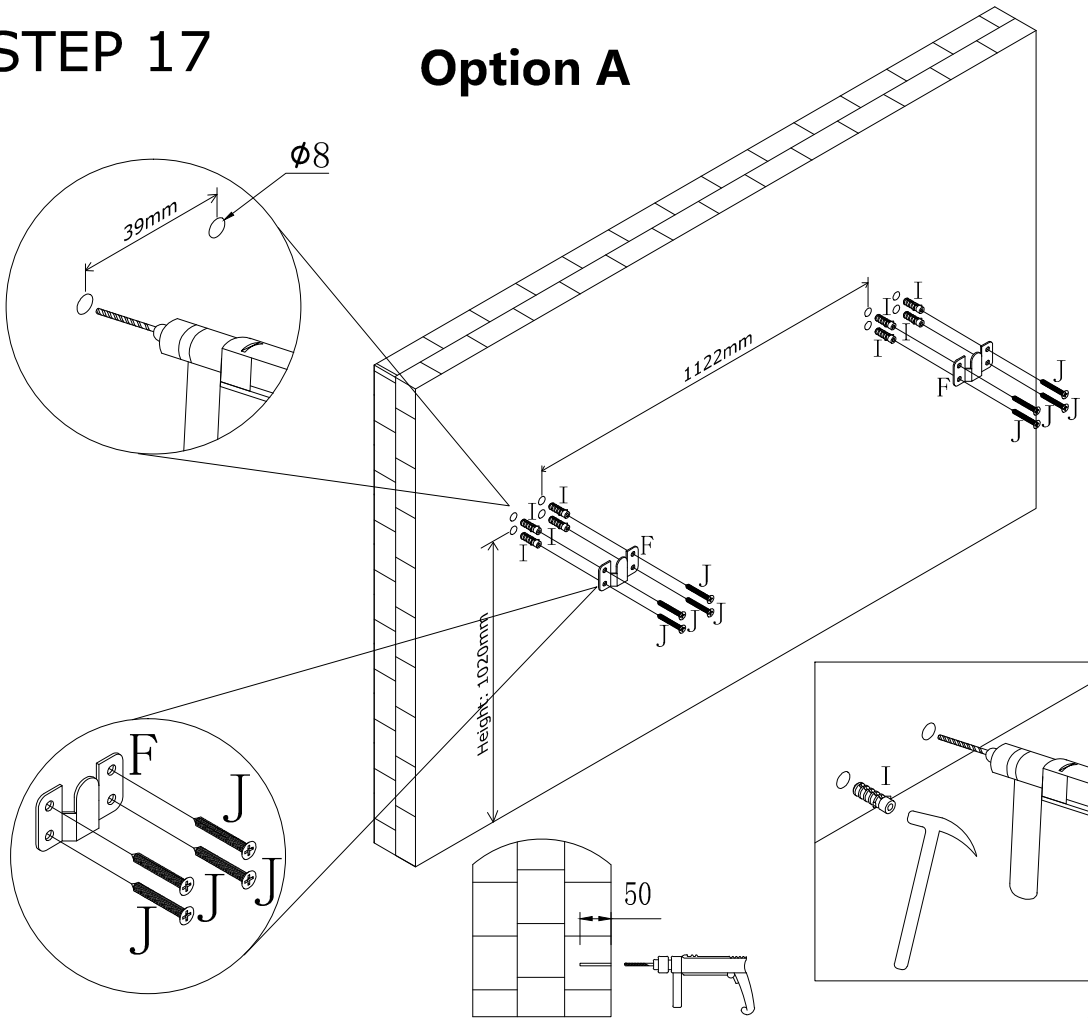


No. K
Quantity: 1 Pc

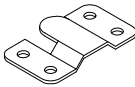


STEP 17

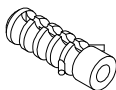
Option A



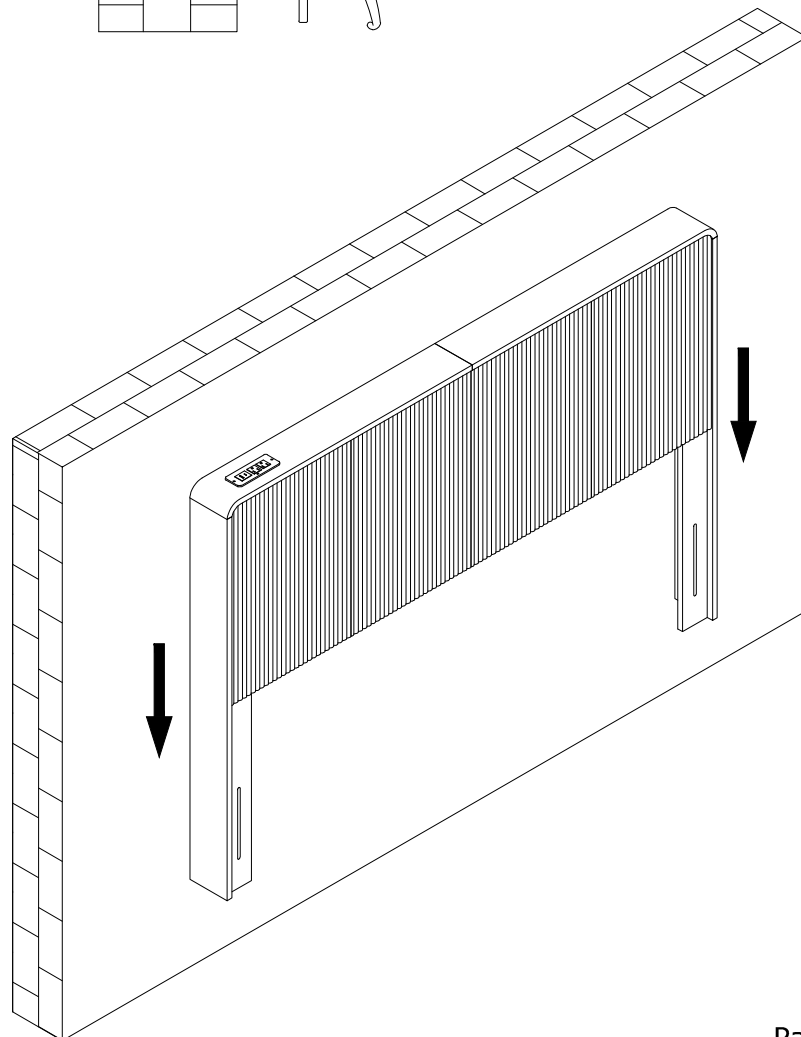
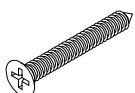
No. F
Quantity: 2 Pcs



No. I
Quantity: 8 Pcs
M8*40mm

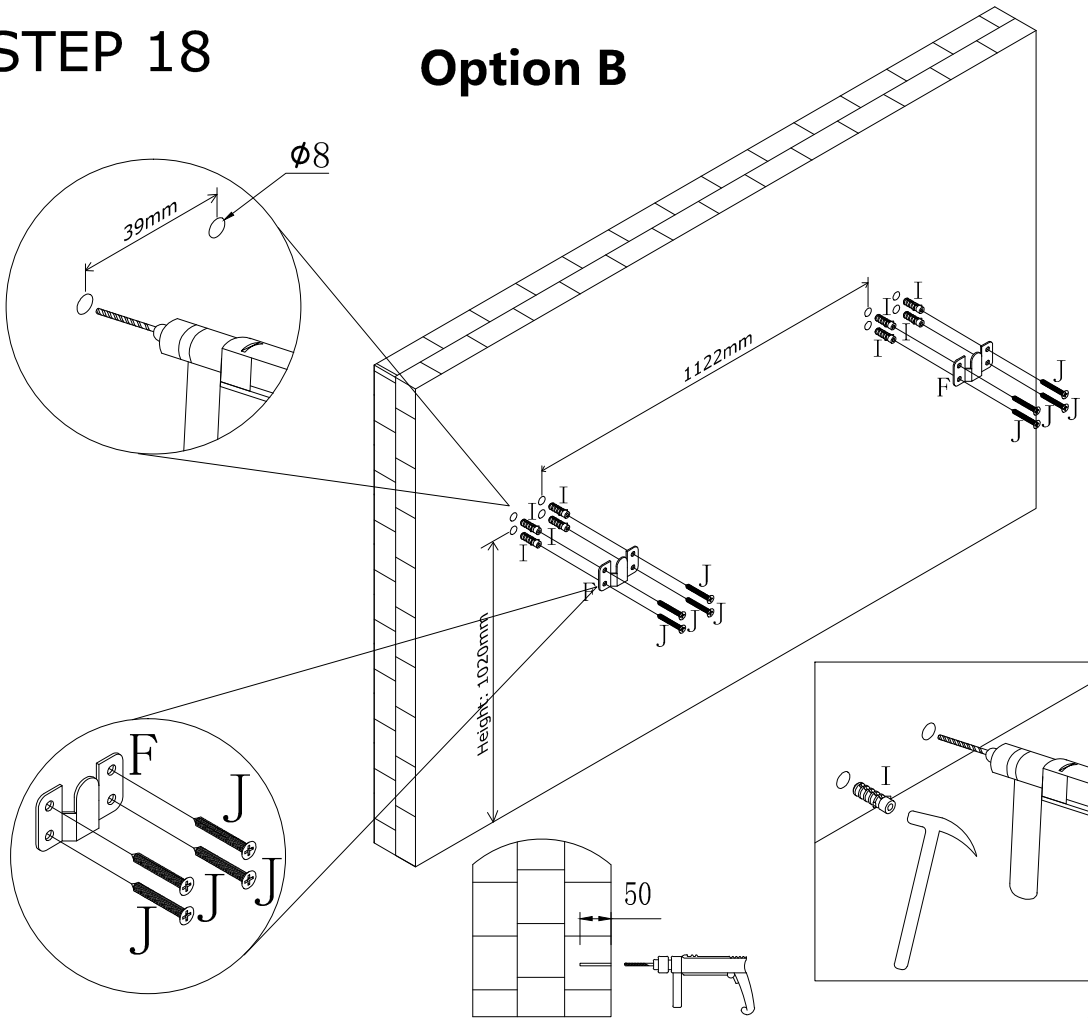


No. J
Quantity: 8 Pcs
M4*30mm

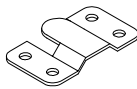


STEP 18

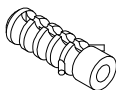
Option B



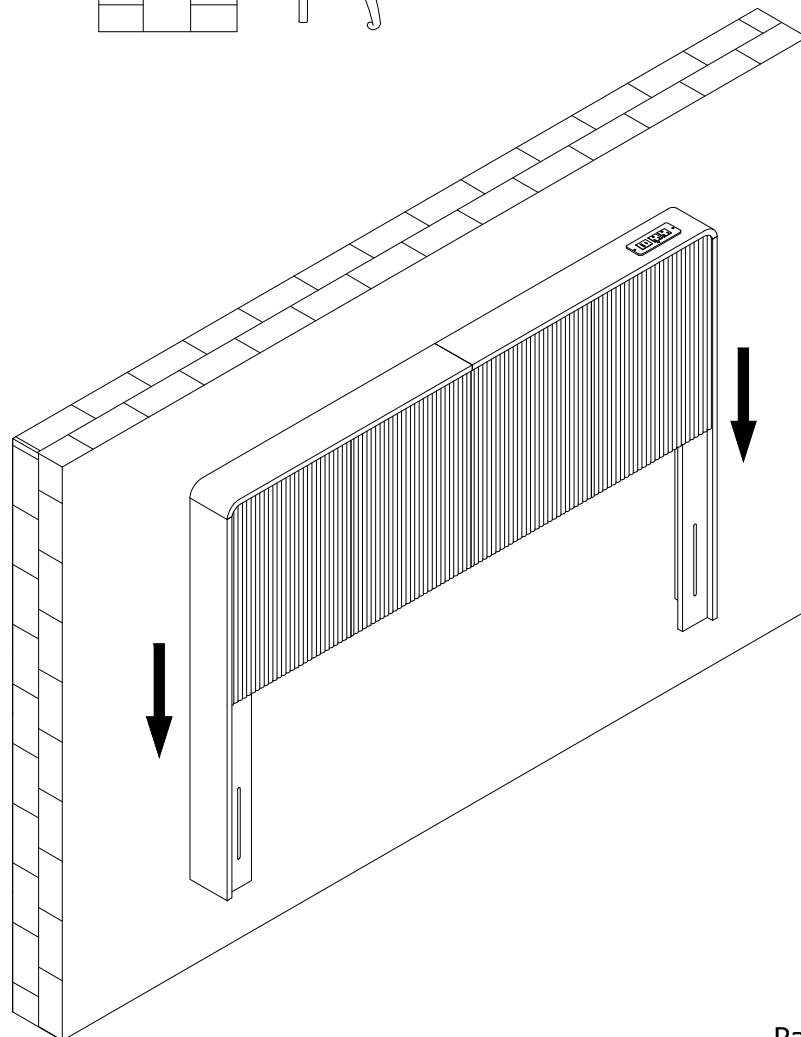
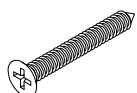
No. F
Quantity: 2 Pcs



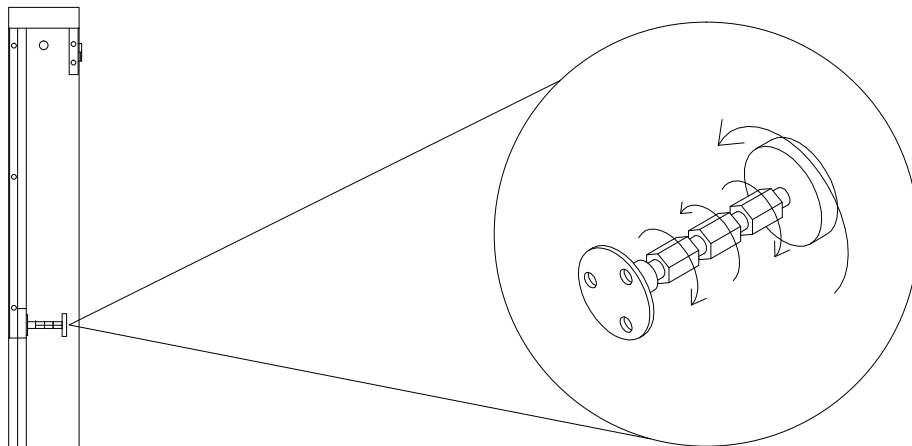
No. I
Quantity: 8 Pcs
M8*40mm



No. J
Quantity: 8 Pcs
M4*30mm

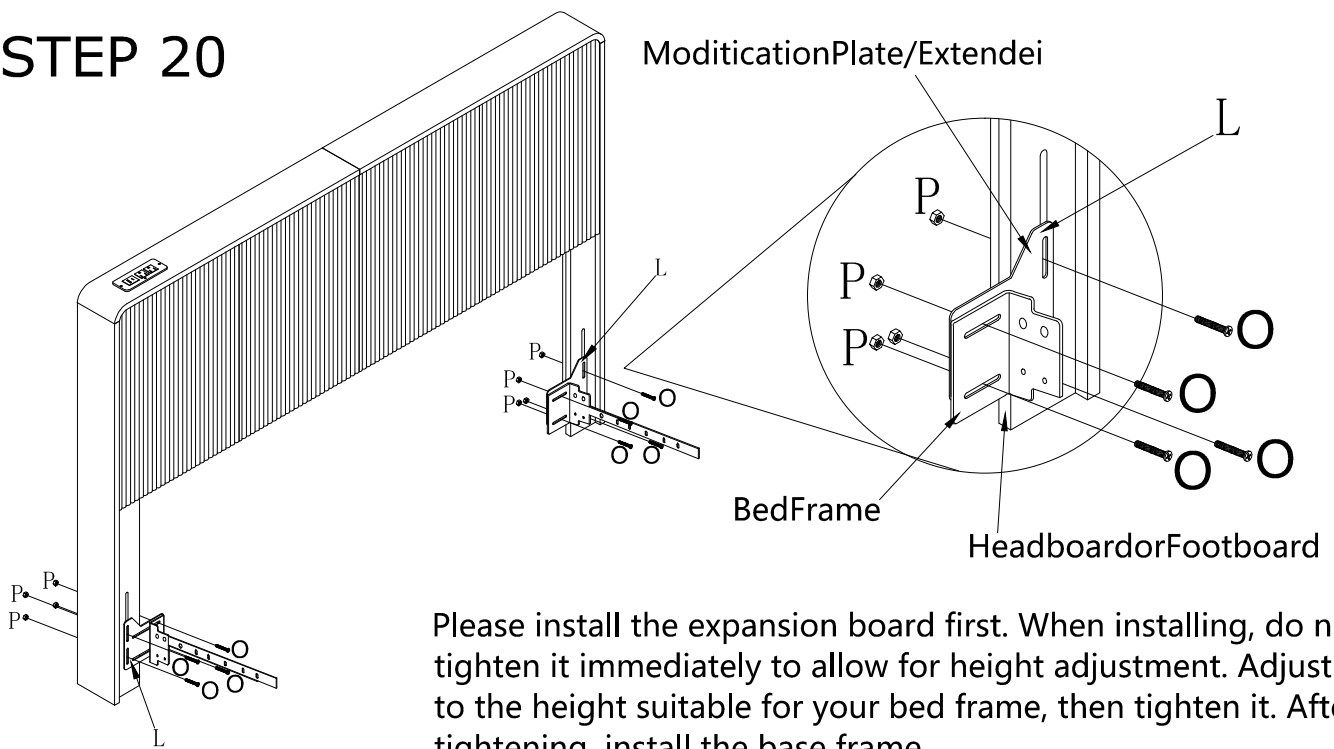


STEP 19



After the product is installed and hung on the wall, please adjust the nut on the M hardware until the back touches the wall to stabilize the headboard.

STEP 20

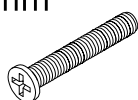


Please install the expansion board first. When installing, do not tighten it immediately to allow for height adjustment. Adjust it to the height suitable for your bed frame, then tighten it. After tightening, install the base frame.

No. L
Quantity: 2 Pcs



No. O
Quantity: 8 Pcs
M6*60mm



No. P
Quantity: 8 Pcs

