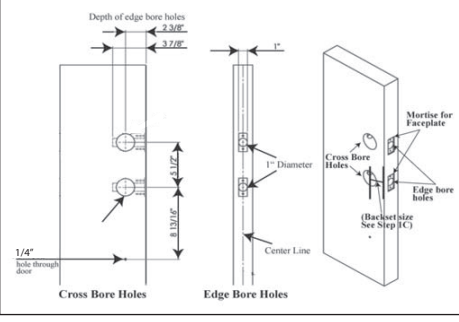


A

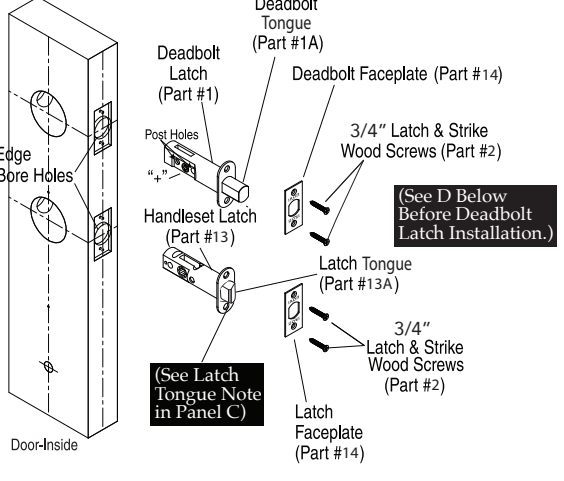
USE INCLUDED DOOR PREPARATION TEMPLATE FOR NON-PREPARED DOORS.



USE INCLUDED PLASTIC TEMPLATE TO LOCATE AND DRILL THE 1/4" BOTTOM GRIP MOUNTING HOLE. (See note on reverse side.)

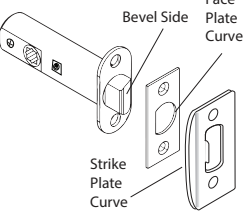
B

Install deadbolt and handleset latches.

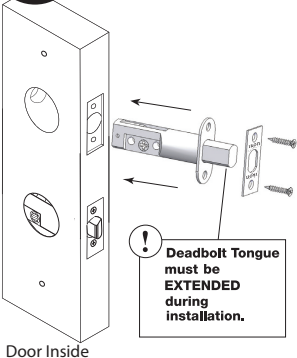


C Latch Tongue Note

Bevel side of latch tongue should contact curved side of face plate, and curved side of strike plate.

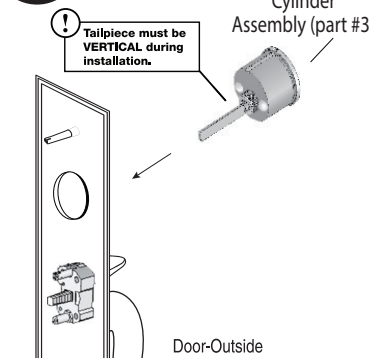


D Deadbolt Latch Tongue Note



Deadbolt Tongue must be EXTENDED during installation.

E Install cylinder into exterior plate.

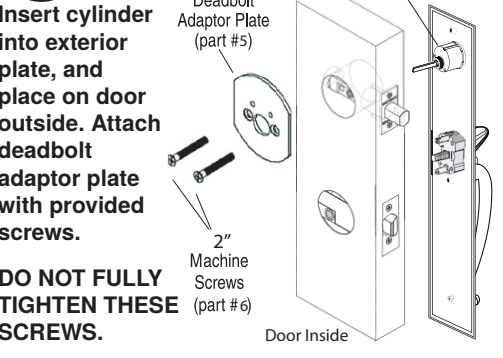


Cylinder Assembly (part #3)

Tailpiece must be VERTICAL during installation.

F Insert cylinder into exterior plate, and place on door outside. Attach deadbolt adaptor plate with provided screws.

DO NOT FULLY TIGHTEN THESE SCREWS.



Deadbolt Adaptor Plate (part #5)

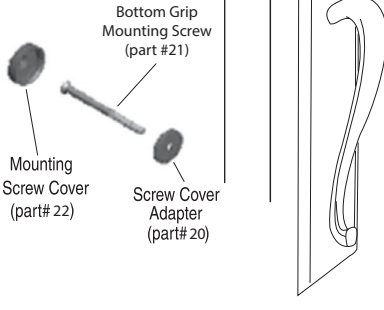
Machine Screws (part #6)

Cylinder (part #3)

G Insert bottom grip mounting screw.

DO NOT FULLY TIGHTEN THIS MOUNTING SCREW.

Wait to install the mounting screw cover until you have completed step J.



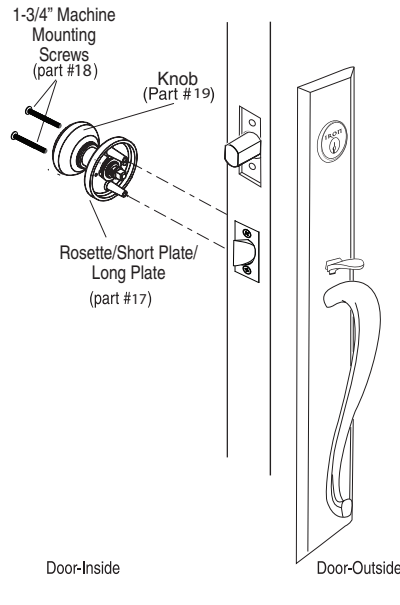
Mounting Screw Cover (part #22)

Bottom Grip Mounting Screw (part #21)

Screw Cover Adapter (part #20)

H Install rosette/short plate/long plate on door inside.

DO NOT FULLY TIGHTEN THESE SCREWS.

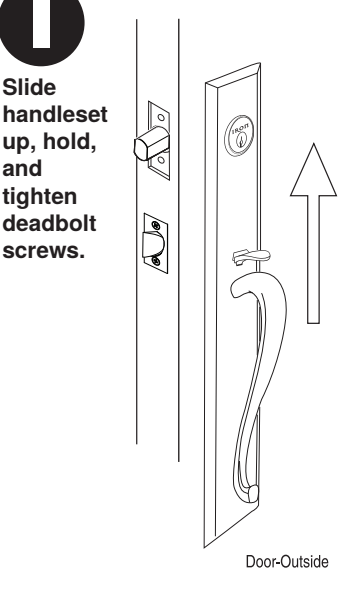


1-3/4" Machine Mounting Screws (part #18)

Knob (Part #19)

Rosette/Short Plate/Long Plate (part #17)

I Slide handleset up, hold, and tighten deadbolt screws.

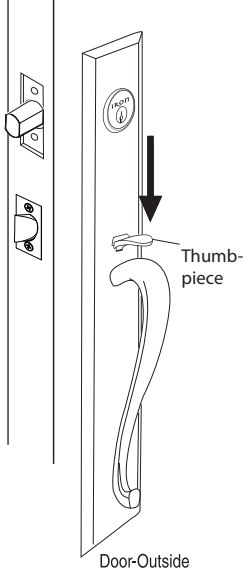


J Check operation by pressing the thumbpiece down.

Tighten rosette/short plate/long plate screws and check operation again.

Tighten bottom grip mounting screw and check operation.

Install bottom mounting screw cover.



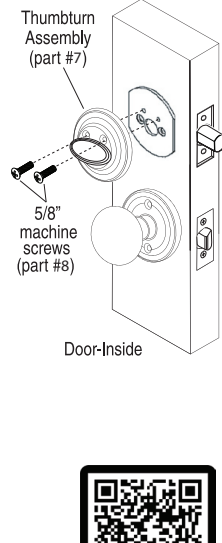
Thumb-piece

Door-Outside

K Tighten the two 2" machine screws on the deadbolt adaptor plate.

Attach thumbturn assembly with provided screws.

Check deadbolt operation by turning thumbturn and key.

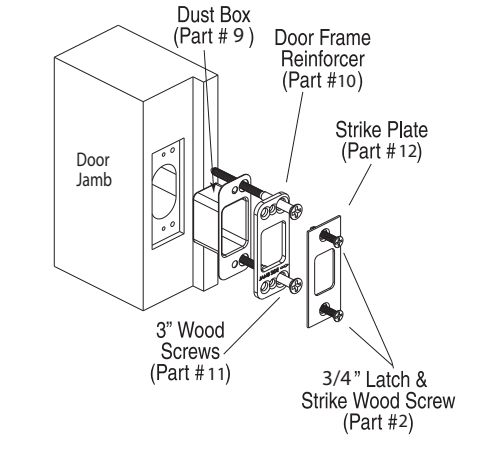


Thumbturn Assembly (part #7)

5/8" machine screws (part #8)

Door-Inside

L Install jamb strike plate.



Dust Box (Part #9)

Door Frame Reinforcer (Part #10)

Strike Plate (Part #12)

3" Wood Screws (Part #11)

3/4" Latch & Strike Wood Screw (Part #2)

Door Jamb

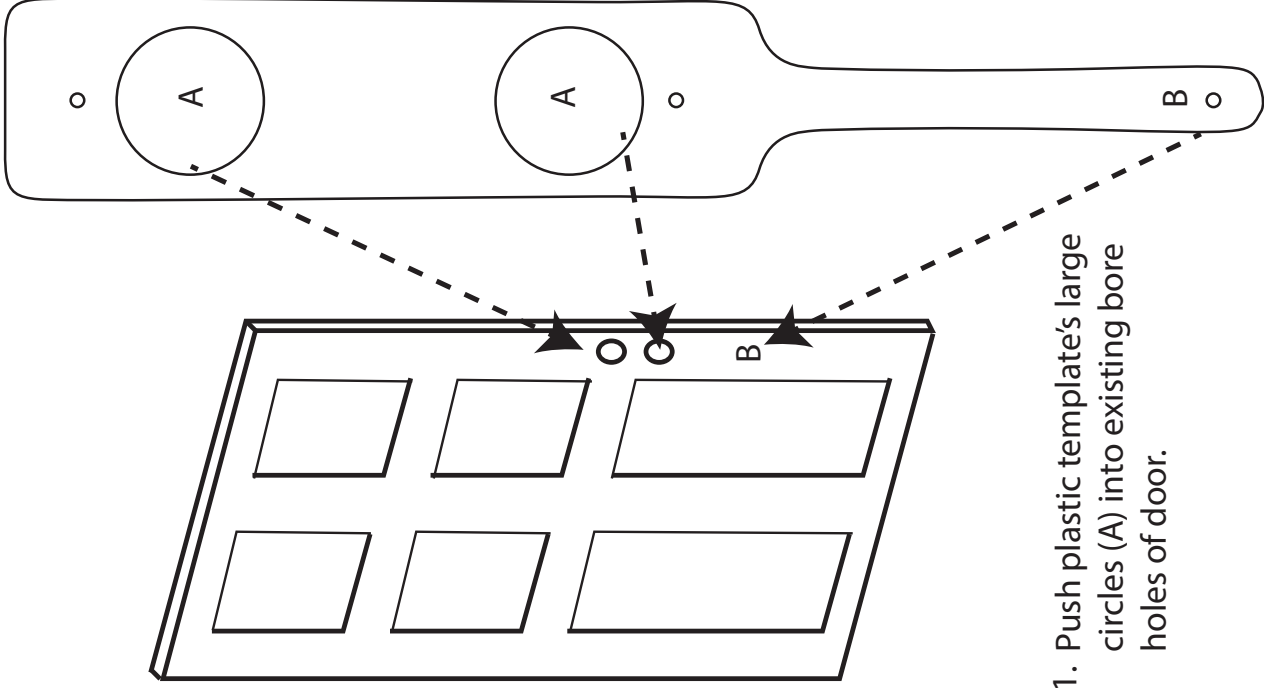


Watch video

Exploded Drawing Single Cylinder Handleset— Rosette/Short Plate/Long Plate with One-Piece Exterior Plate

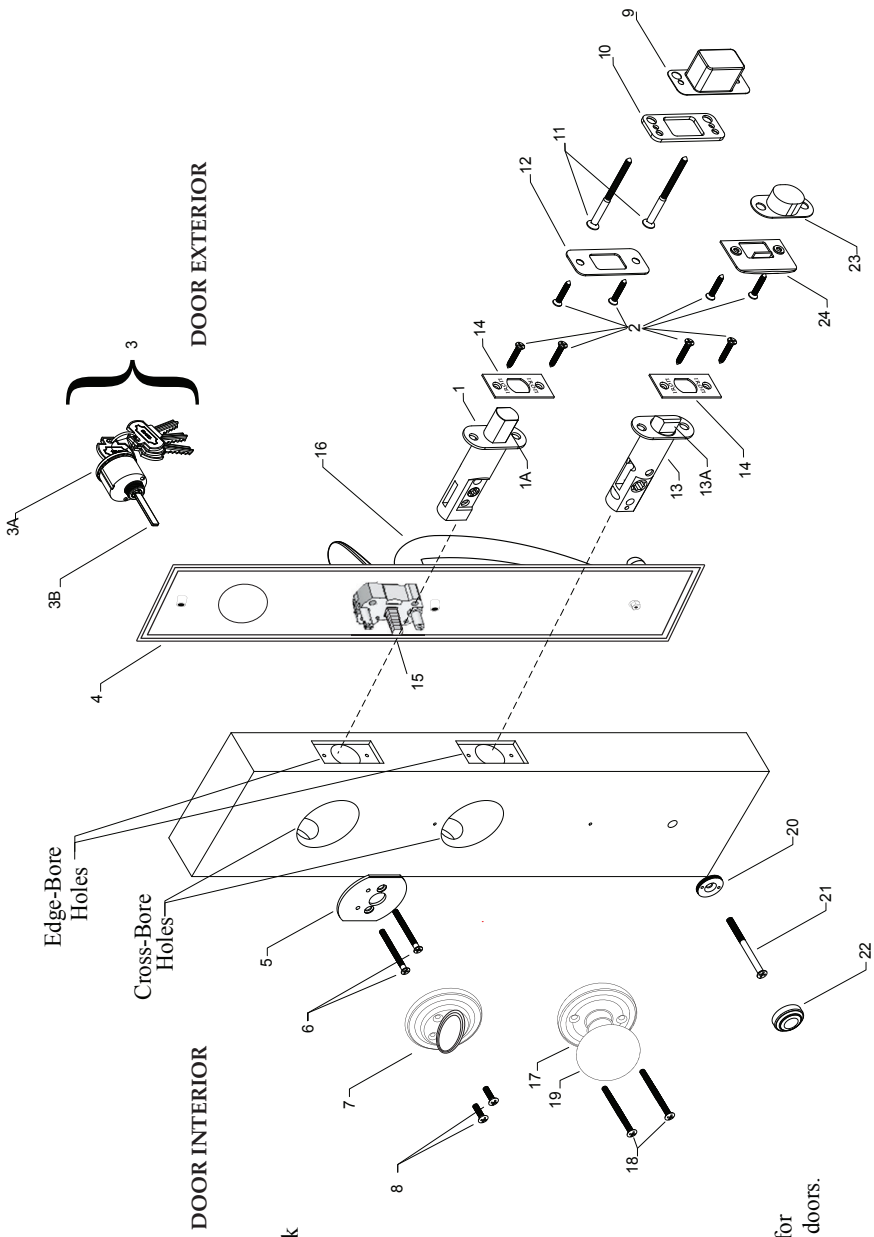
Part Number Description

1. Deadbolt Latch
- 1A. Latch Tongue
2. 3/4" Faceplate & Strike Wood Screws (8)
3. Cylinder Assembly (W/Keys)
 - 3A. Cylinder Body
 - 3B. Tailpiece
4. One-Piece Exterior Plate
5. Deadbolt Adapter Plate
6. 2" Machine Screws (2) for 1-3/4" thick doors, 2-1/4" Machine Screws (2) for 2" thick doors.
7. Thumbturn Assembly
8. 5/8" Thumbturn Machine Screws (2)
9. Dustbox for Deadbolt
10. Door Frame Reinforcer
11. 3" Reinforcer Wood Screws (2)
12. Strike Plate for Deadbolt
13. Handleset Latch
 - 13A. Latch Tongue
14. Latch Faceplate
15. Handleset Spindle
16. Grip
17. Rosette/Short Plate/Long Plate
18. 1-3/4" Machine Mounting Screws
19. Knob or Lever
20. Screw Cover Adapter
21. 2-1/2" Bottom Grip Mounting Screw for 1-3/4" thick doors, 2-3/4" for 2" thick doors.
22. Mounting Screw Cover
23. Dustbox for Handleset
24. Strike Plate for Handleset



1. Push plastic template's large circles (A) into existing bore holes of door.

2. Use position of small hole (B) to mark and drill 1/4" hole through the door.



Watch video