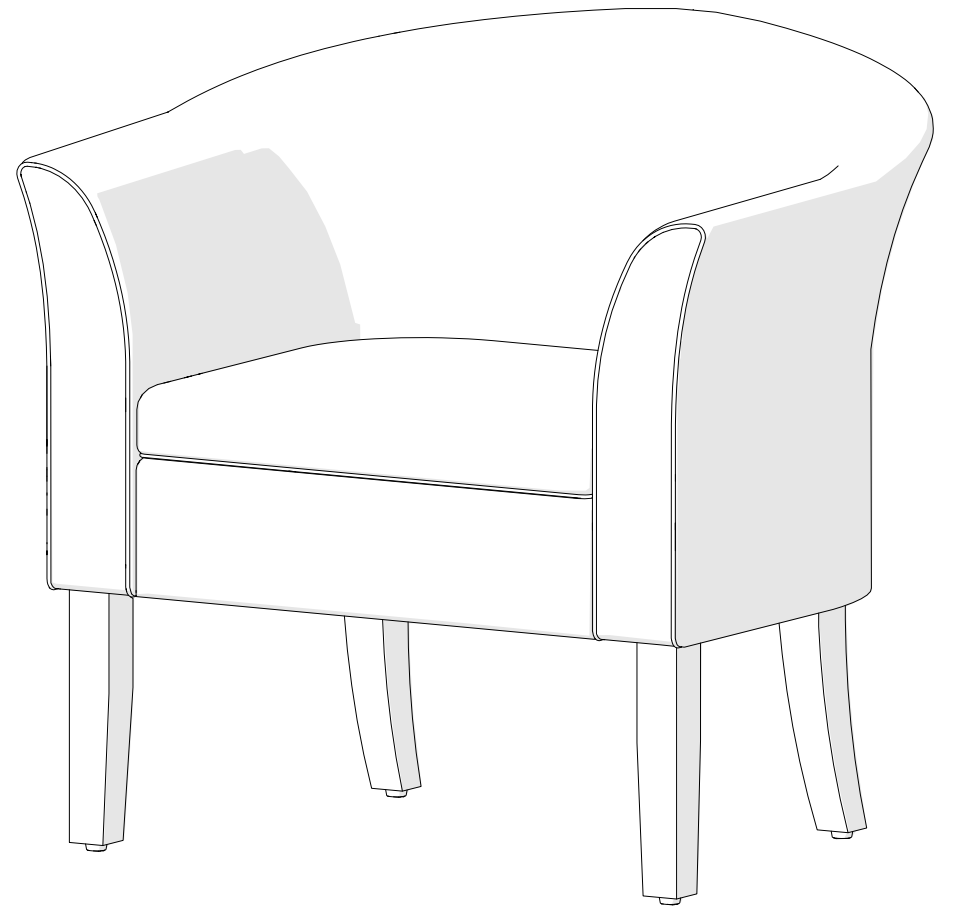


# ASSEMBLY INSTRUCTION



# table of contents



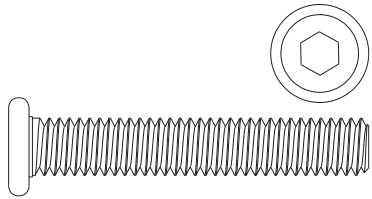
introduction	2
hardware	4
parts list	5
assembly	6-7

# hardware

---

(A) x 8

5/16" x 45mm  
round hex screw



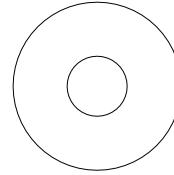
(B) x 8

Φ 8mm lock washer



(C) x 8

Φ 22mm flat washer



(D) x 1

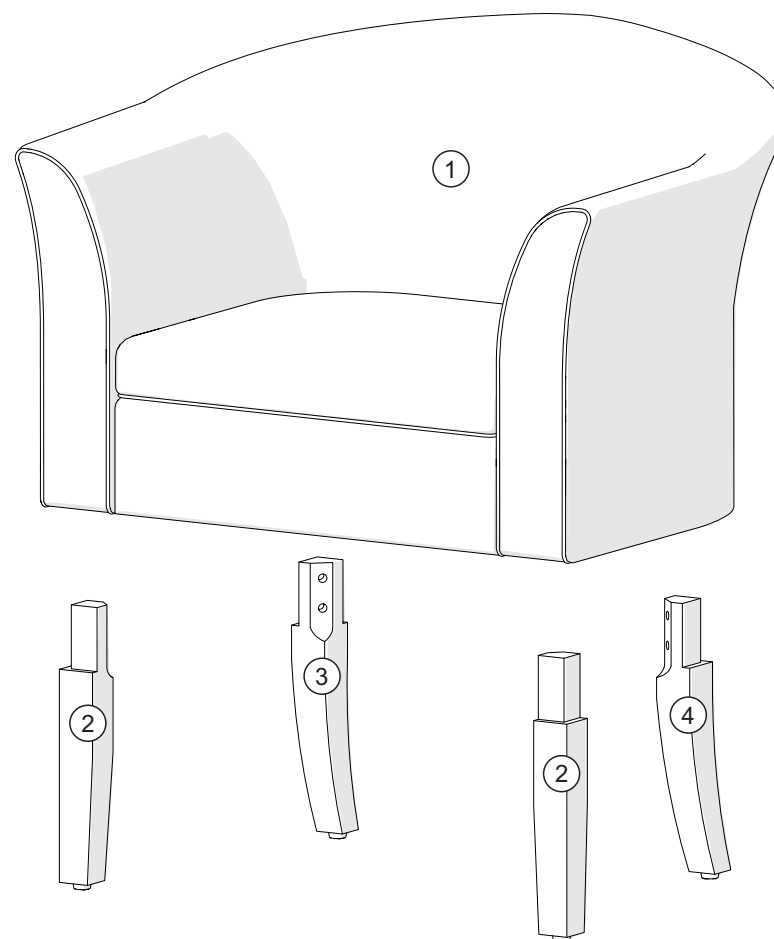
5mm Ball end  
Hex wrench



ITEM DESCRIPTION QUANTITY

.....

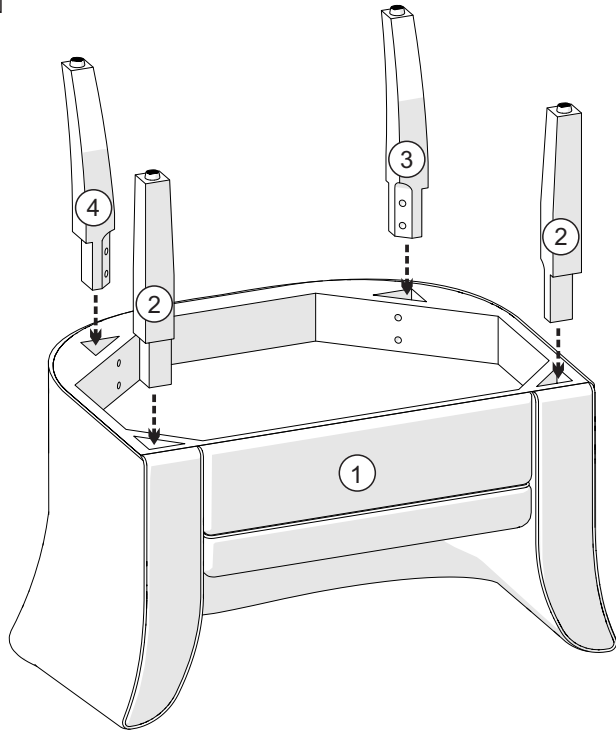
①	chair cushion	1
②	front leg	2
③	left back leg	1
④	right back leg	1



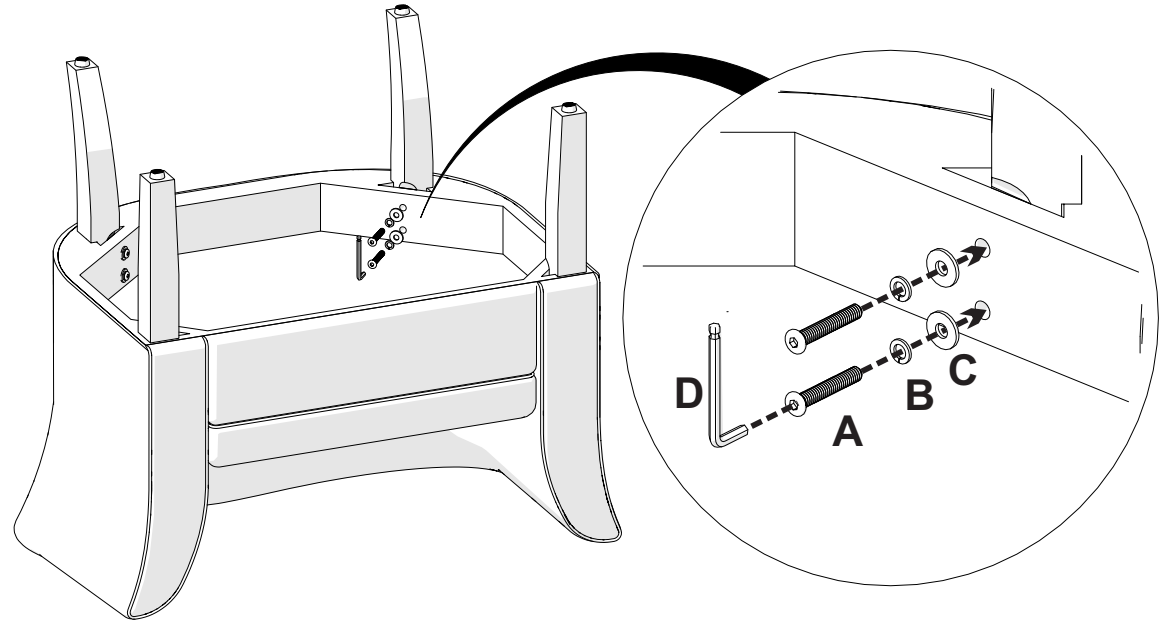
# step 1.

.....

1



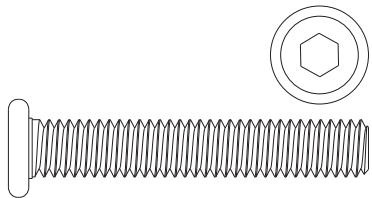
2



.....

(A) x 8

5/16" x 45mm  
round hex screw



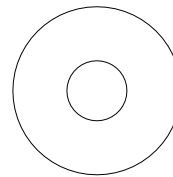
(B) x 8

Φ 8mm lock washer



(C) x 8

Φ 22mm flat washer



(D) x 1

5mm Ball end  
Hex wrench



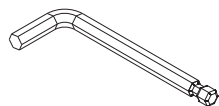
Please do not assemble with power tools

## step 2.

---

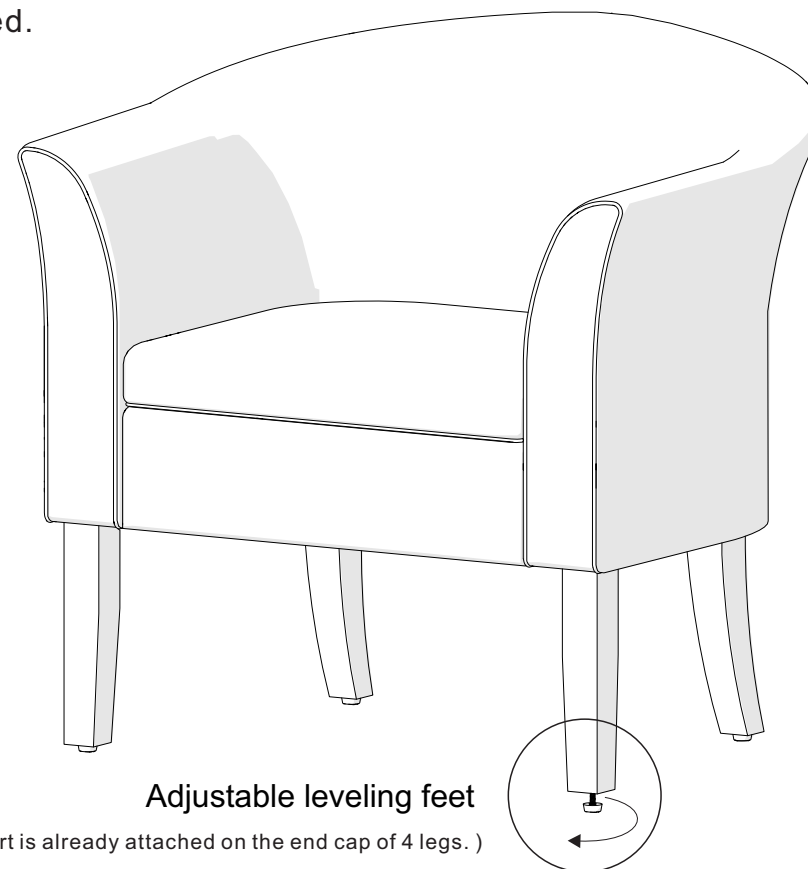
A friendly reminder from us:

Please keep the Allen wrench.



After a period of time, there may be a chance the KD furniture may become loose, please use an Allen wrench to tighten the loose bolts.

Put the chair right and check whether the chair has been well assembled. If it is not assembled, loosen the screw and tighten it on the ground.



---

Level the furniture, use leveling feet if needed.