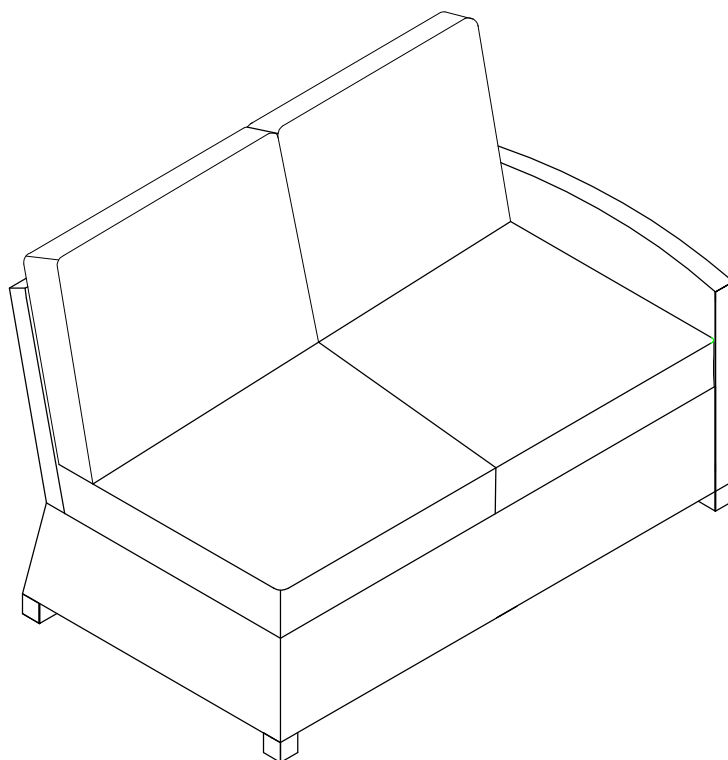


## Outdoor Wicker Sectional Loveseat Right Corner

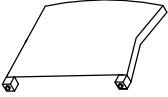

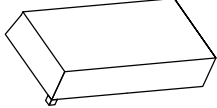






Congratulations! You have purchased a stylish piece .  
We strive to provide fine furniture products, built with quality materials and hand finished details. Please carefully follow the assembly instructions to ensure your furniture is assembled correctly to provide long lasting enjoyment.

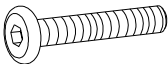
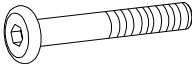

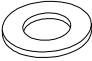

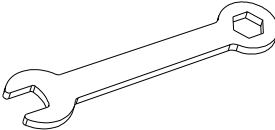
Should you experience any missing or damaged parts **do not return to the store.**

**Care: Use a soft, clean cloth that will not scratch the surface when cleaning. The use of solvents is not necessary. Should you choose to use solvents, test in an inconspicuous area first to avoid damaging the finish. To clean, simply use a soft, clean cloth lightly dampened with water.**

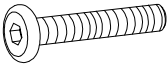
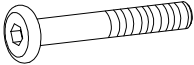
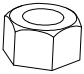

## PART LIST

|   |             |   |             |   |             |
|---|-------------|---|-------------|---|-------------|
| <br><b>Arm Panel</b>             |             | <br><b>Back Panel</b>            |             | <br><b>Seat Panel</b>            |             |
| <b>A</b>  | <b>1PC</b>  | <b>B</b>  | <b>1PC</b>  | <b>C</b>  | <b>1PC</b>  |
| <br><b>Cover Of Seat Cushion</b> |             | <br><b>Inner Of Seat Cushion</b> |             | <br><b>Cover Of Back Cushion</b> |             |
| <b>D</b>  | <b>2PCS</b> | <b>E</b>  | <b>2PCS</b> | <b>F</b>  | <b>2PCS</b> |
| <br><b>Inner Of Back Cushion</b> |             |   |             |   |             |
| <b>G</b>  | <b>2PCS</b> |   |             |   |             |

## HARDWARE LIST

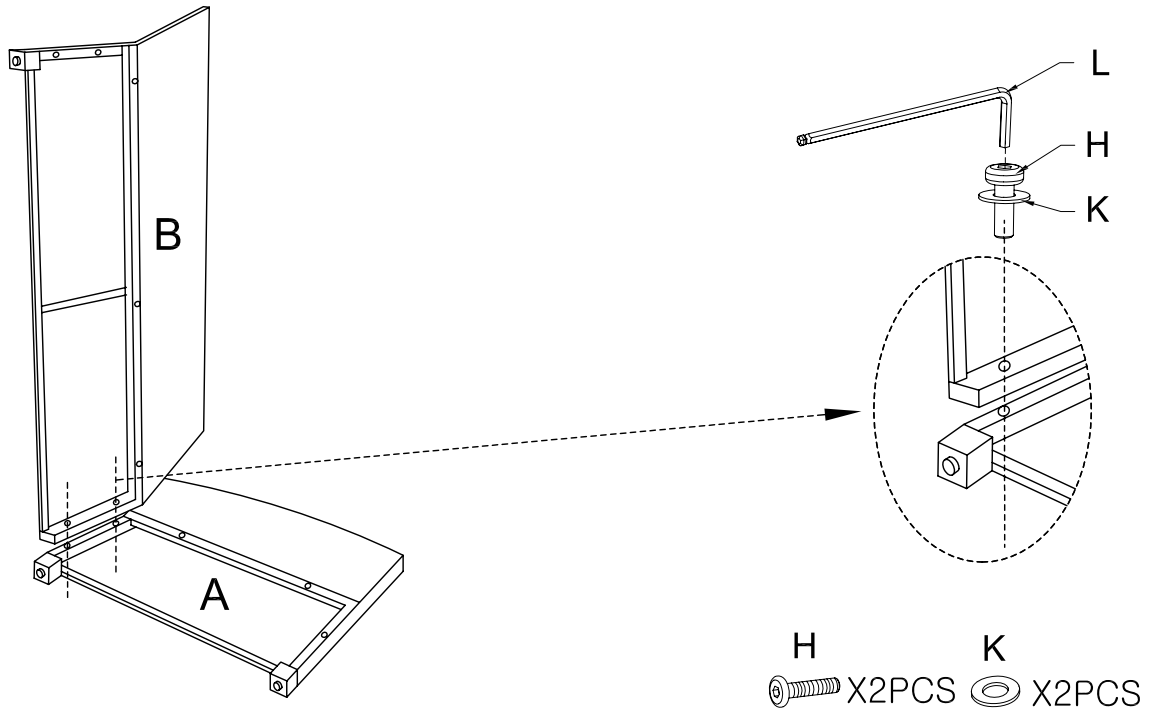
|   |              |  |             |  |             |
|---|--------------|--|-------------|--|-------------|
| <br><b>Short Bolt(M6*55mm)</b> |              | <br><b>Long Bolt(M6*65mm)</b> |             | <br><b>Nut(M6mm)</b>    |             |
| <b>H</b>  | <b>5PCS</b>  | <b>I</b>   | <b>5PCS</b> | <b>J</b>   | <b>5PCS</b> |
| <br><b>Washer(M6mm)</b>        |              | <br><b>Allen Key(M6mm)</b>    |             | <br><b>Wrench(M6mm)</b> |             |
| <b>K</b>  | <b>15PCS</b> | <b>L</b>   | <b>1PC</b>  | <b>M</b>   | <b>1PC</b>  |

## EXTRA HARDWARE LIST

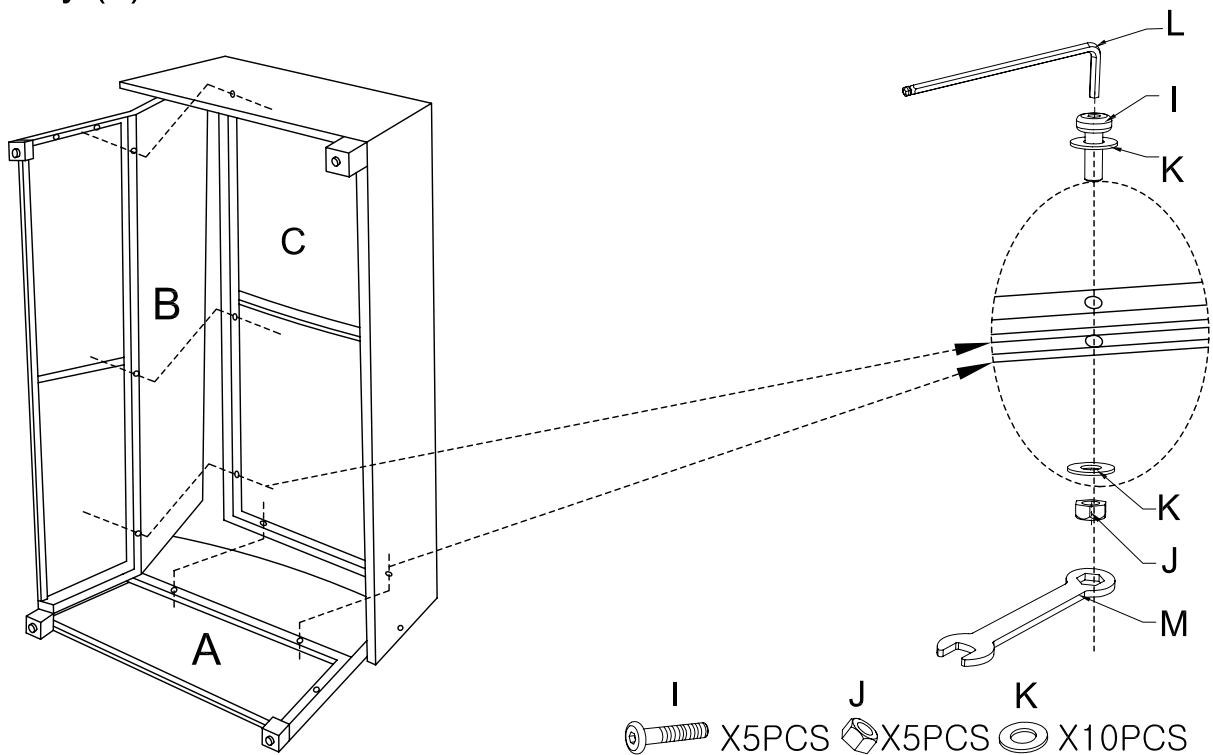
|  |  |  |   |
|--|--|--|---|
| <br><b>H X1PC</b> | <br><b>I X1PC</b> | <br><b>J X1PC</b> | <br><b>K X3PCS</b> |
|--|--|--|---|

**Step 1.** Lay Arm Panel (A) down on a flat surface. Attach Back Panel(B) to Arm Panel(A) using the Short Bolts(H), Washers(K), & Allen Key (L).

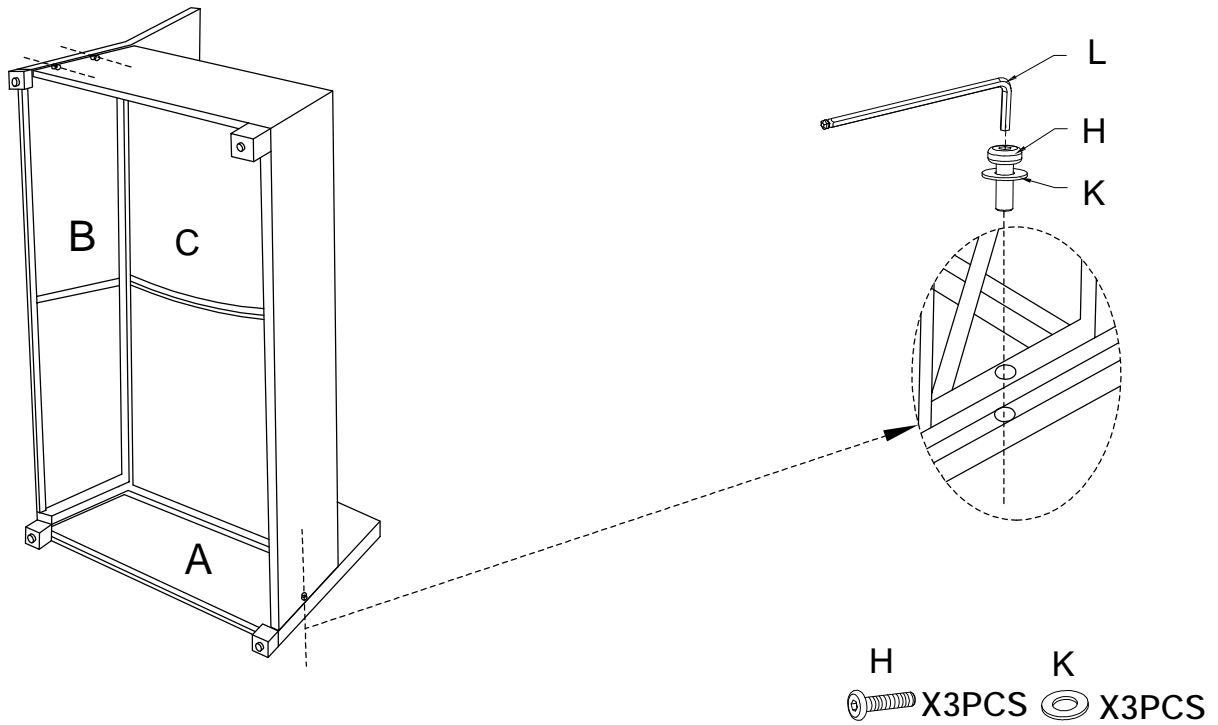
NOTE: Please do not fully tighten bolts until unit is fully assembled.



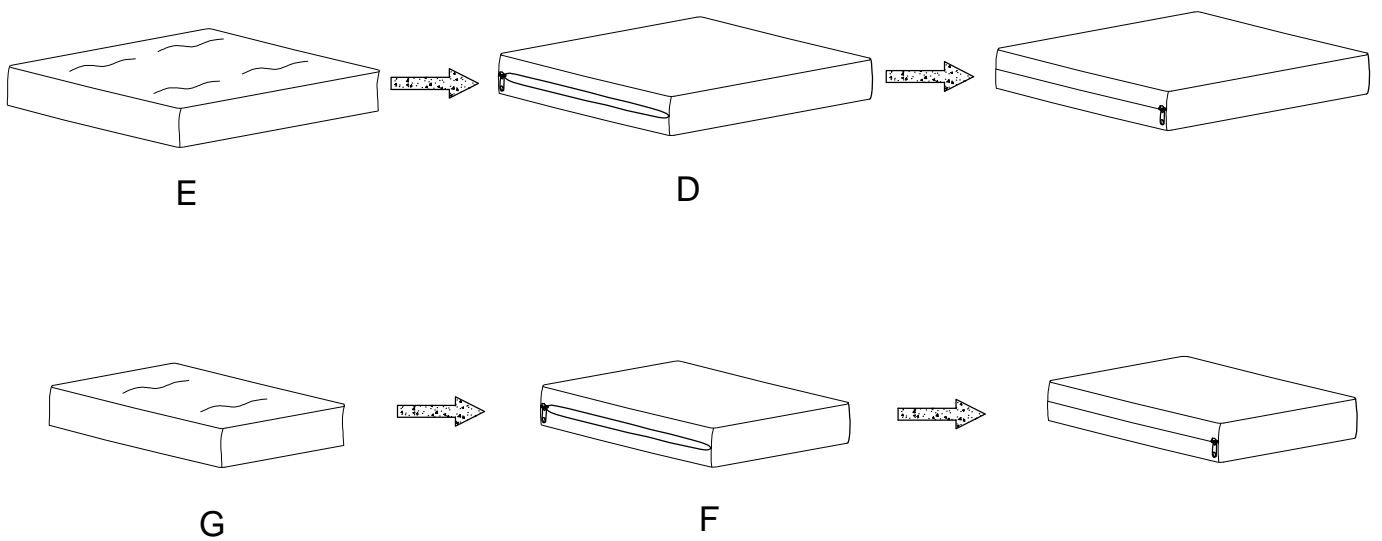
**Step 2.** Attach Seat Panel(C) to Arm Panel(A) and Back Panel (B) using the Long Bolts( I) Washers(K), Nuts(J), Wrench (M) & Allen Key (L).



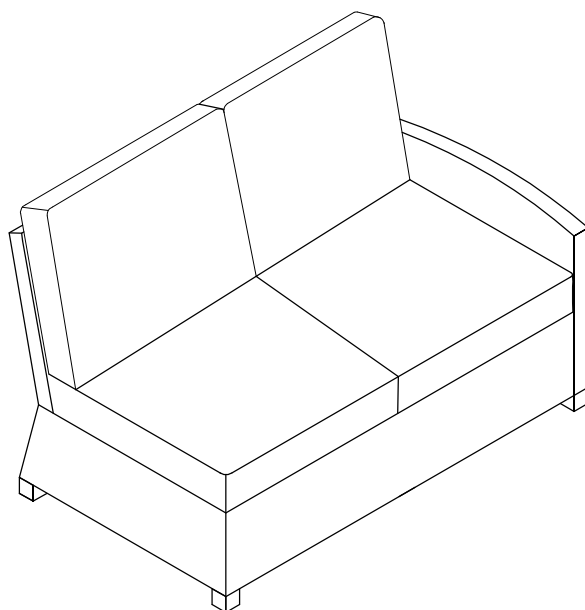
**Step 3.** Attach Seat Panel (C) to Arm Panel (A) and Back Panel (B) using the Short Bolts(H), Washers (K) & Allen Key (L).



**Step 4.** Insert Inner Of Seat Cushion (E) into Cover Of Seat Cushion (D).  
Insert Inner Of Back Cushion (G) into Cover Of Back Cushion (F).



**Step 5.** Place Seat Cushion and Back Cushion on the loveseat.



## Limited Manufacturers Warranty