

# ASSEMBLY INSTRUCTIONS

## 2 DOOR WARDROBE

**IMPORTANT: READ THESE INSTRUCTIONS CAREFULLY BEFORE ASSEMBLING OR USING YOUR 2 DOOR WARDROBE .**

**PLEASE KEEP THESE INSTRUCTIONS FOR FUTURE REFERENCE.**

### **HEALTH & SAFETY:**

**DO NOT** use this item if any parts are missing, damaged or worn.

**DO NOT** use this item unless all fixings are secured.

Please keep small parts out of reach of children.

Always use on a level, even surface.

It is recommended that two people handle and assemble the item.

Advise you use the wall straps provided to further enhance the safety of this product. **CARE &**

### **MAINTENANCE:**

Assemble in the room of use.

To avoid damages assemble the item on a soft, clean surface

Periodically check all screws & fixings to ensure they are secure.

**DO NOT** push the item as this will damage the base.

Always lift the item with two people to reposition.

Keep any sharp objects away from the item.

This product is manufactured in pine which is a wood with natural characteristics including knots, grains, clusters or indentations.

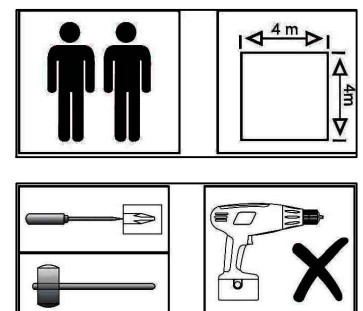
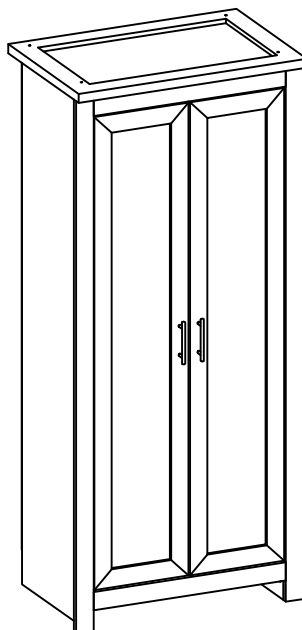
On unpacking the item you may notice an odour due to production processes but this will disappear after a period of time.

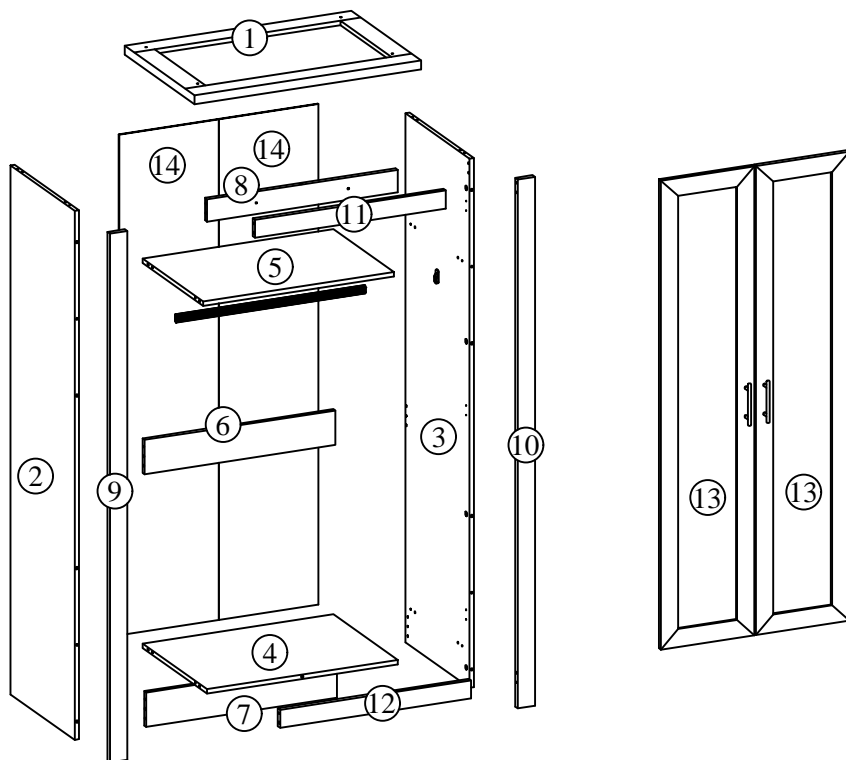
**DO NOT** place the item next to a radiator or direct sunlight - this item is susceptible to temperature change. It is recommended an even room temperature be maintained with no sudden fluctuations.

**DO NOT** place hot or cold items directly onto the surface of the item as marking will occur

For general cleaning use a duster or damp cloth (almost dry) not wet - do not use soap and water, detergents, aerosol sprays or any polish as use of these materials would invalidate any claims.

**DO NOT** place the item onto wet or damp flooring as staining may occur to the floor.





## PARTS LIST

Carton 1 of 2:

Part	Description	Qty
2	Left Panel	1
3	Right Panel	1
9	Left Post Panel	1
10	Right Post Panel	1
11	Top Post Panel	1
12	Bottom Post Panel	1
13	Door	2
14	Back Panel	2

## PARTS LIST

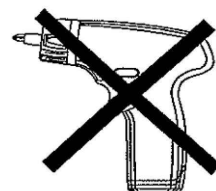
Carton 2 of 2:

Part	Description	Qty
1	Top Panel	1
4	Bottom Panel	1
5	Fix Shelf Panel	1
6	Back Support Panel	1
7	Plinth Panel	1
8	Top Support Panel	1

## HARDWARE LIST: Carton 1 of 2

Part	Description	Qty
A	CAM NUT 15mm 	22
B	CAM BOLT 	22
C	WOOD DOWEL M6 x 25mm 	36
D	CSK SCREW M3.5 x 12mm 	4
E	CSK SCREW M4 x 16mm 	24
F	CSK SCREW M4 x 25mm 	2
G	CSK SCREW M4 x 65mm 	4
H	T/MS SCREW M4 x 22mm 	4
I	HINGES 7/8" 	6
J	TXM METAL BAR HANDLE 96mm 	2
K	PVC NAIL 	4
L	NAIL 	30
M	OVAL BRACKET 	2
N	OVAL PIPE (565mm) 	1
O	WASHER (M4) 	4
P	ANTI TIP STRAP 	2
Q	CSK SCREW M4 x 20mm 	4

\*\* You will need a screwdriver and a small mallet ( NOT provided)



\*\* WARNING: THE USE OF POWER TOOLS TO ASSEMBLE THIS PRODUCT WILL INVALIDATE ANY CLAIM AND MAY DAMAGE THIS PRODUCT MAKING IT UNSAFE.

1

A		22
B		22
C		27
D		4
E		12
I		6
K		4
M		2

Insert hardware part A & part B using a screwdriver (not provided).

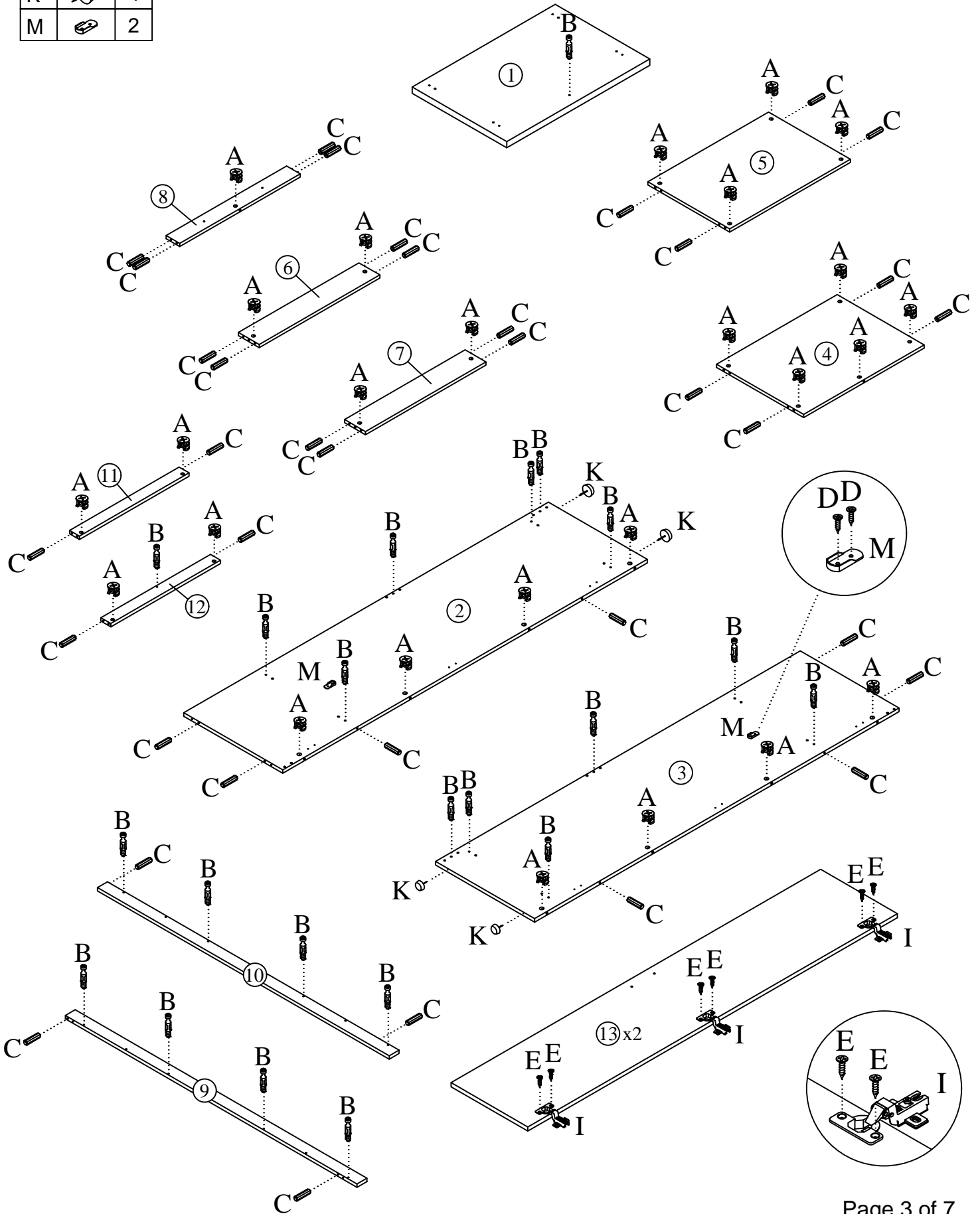
Insert hardware part C using a small mallet (not provided).

Insert hardware part K using a small mallet (not provided).

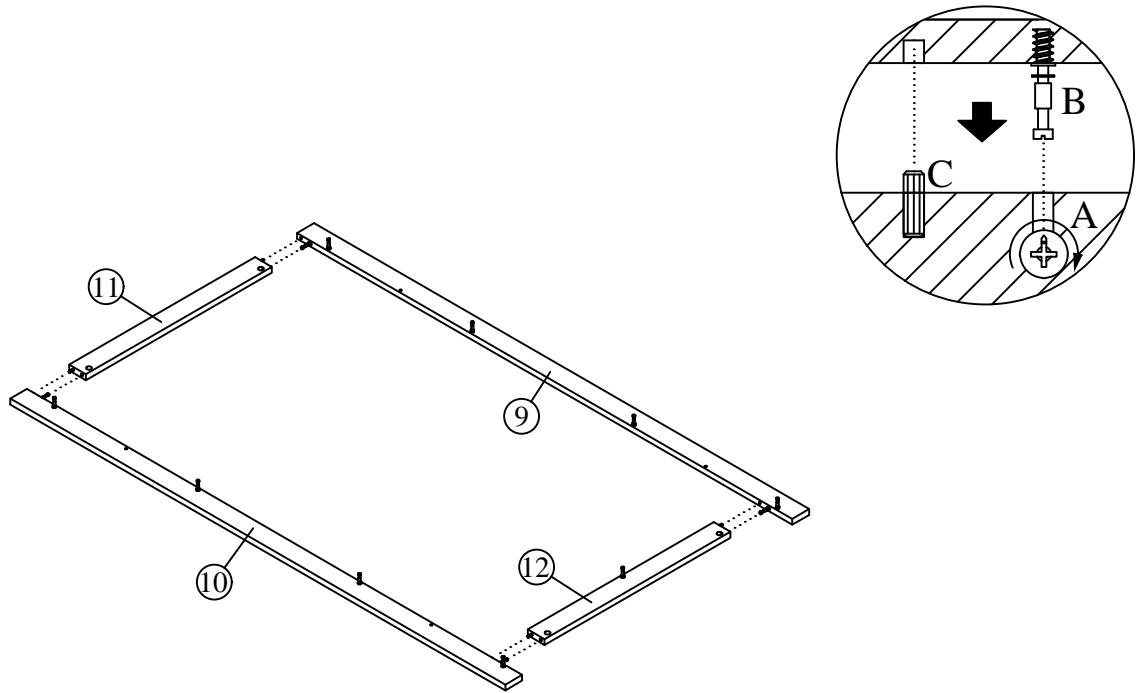
Fix hardware I with screw E using screwdriver (not provided).

Fix hardware M with screw D using screwdriver (not provided).

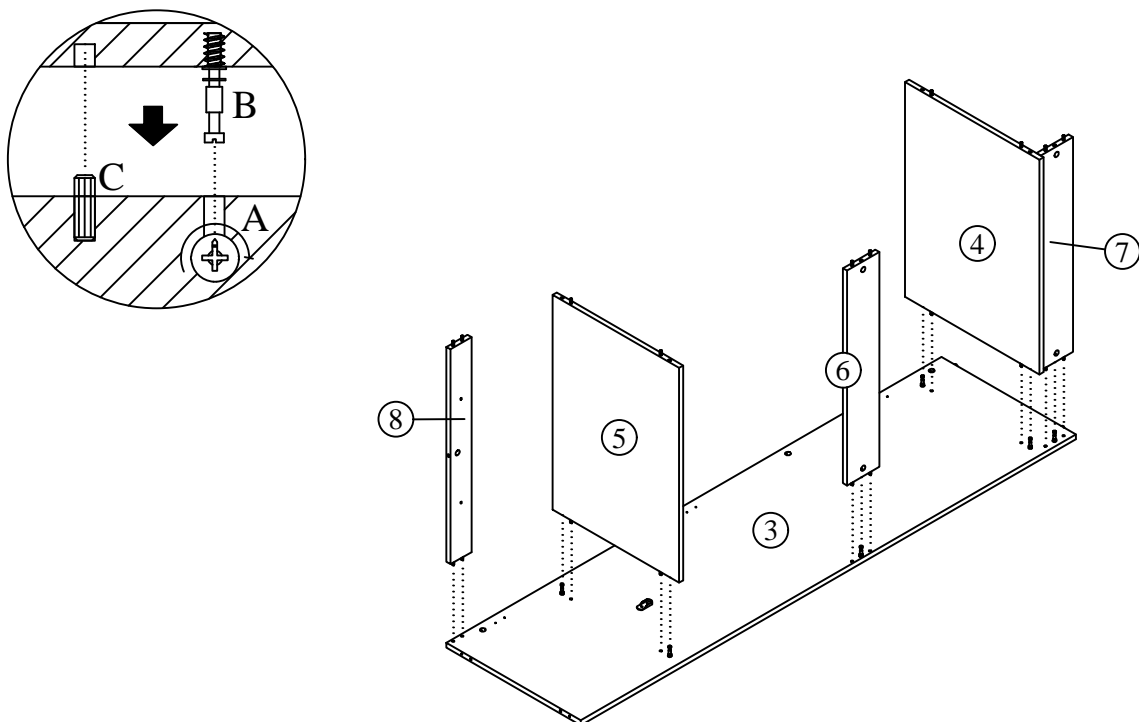
DO NOT use any power tools as this may damage the frame and will invalidate any claim.



**2** Attach the Post Panel together (9),(10),(11)&(12) by screwdriver (not provided).  
**DO NOT** use any power tools as this may damage the frame and will invalidate any claim.

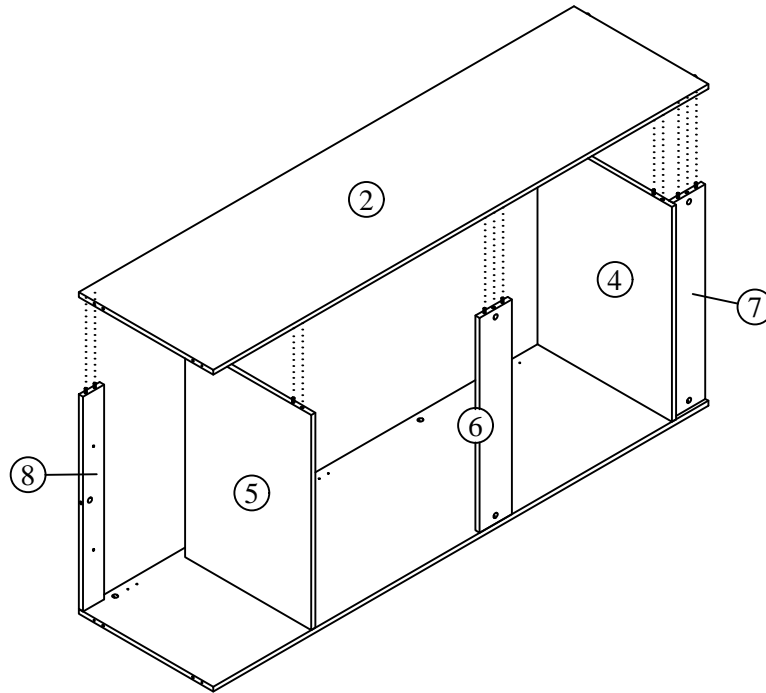
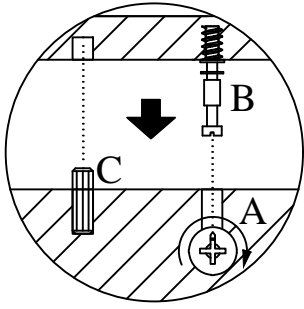


**3** Attach the Bottom Panel(4) , Fix Shelf Panel (5) , Plinth Panel (7) Top and Back Support Panel (6) & (8) to Right Panel (3) by screwdriver (not provided).  
**DO NOT** use any power tools as this may damage the frame and will invalidate any claim.



4

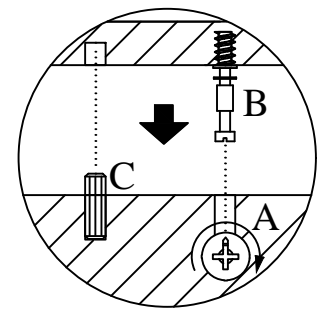
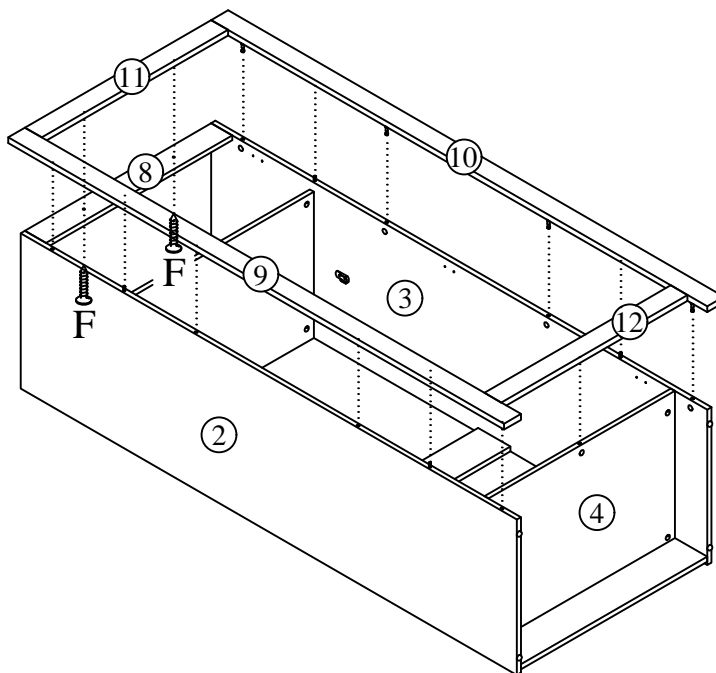
Attach the Left Panel (2) to Bottom Panel (4) , Fix Shelf Panel (5) , Plinth Panel (7)  
Top and Back Support Panel (6) & (8) by screwdriver (not provided).  
**DO NOT** use any power tools as this may damage the frame and will invalidate any claim.



5



Attach ALL Post Panel (9) , (10) , (11) & (12) to Left , Right & Bottom Panel (2) ,(3) & (4)  
by screwdriver (not provided).  
Fix Top Support Panel (8) to Top Post Panel (11) using screw (F) by screwdriver  
(not provided).  
**DO NOT** use any power tools as this may damage the frame and will invalidate any claim.



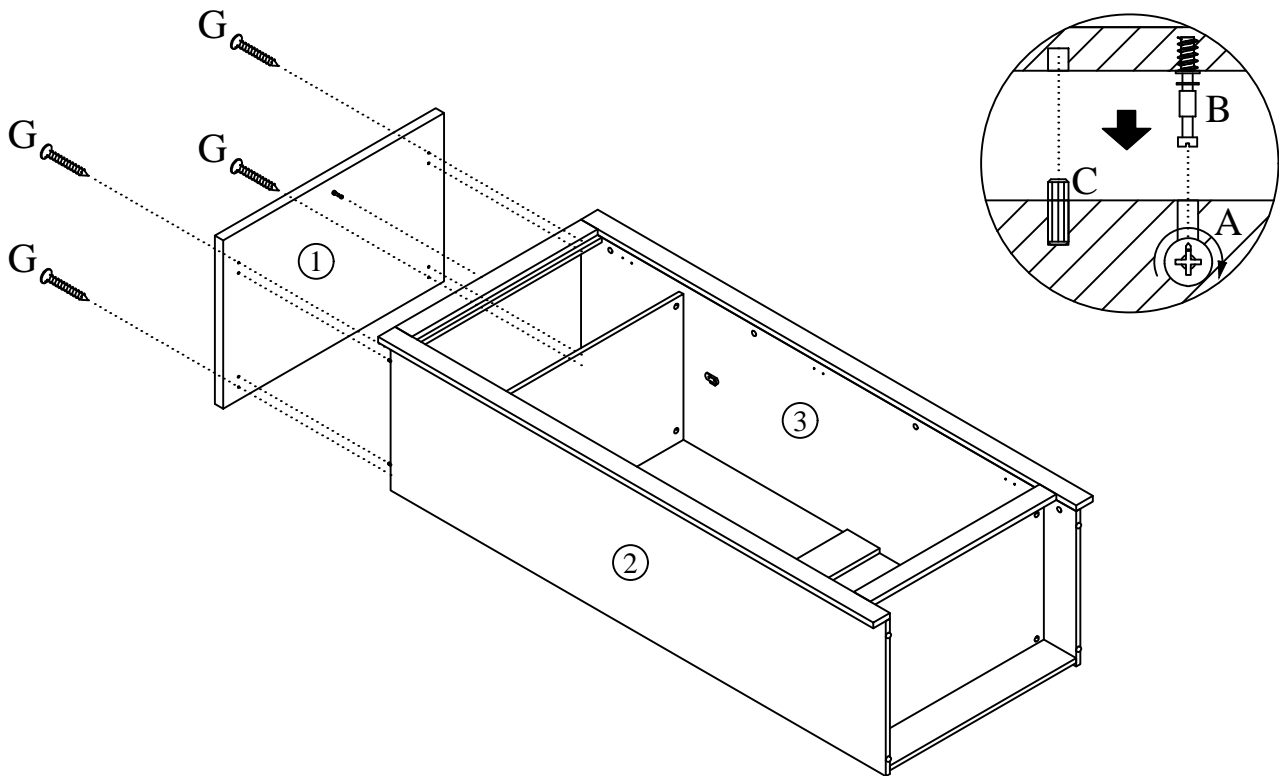
6

G		4
---	---	---





Attach the Top Panel (1) to Left and Right Panel (2) & (3) using screw (G) By screwdriver (not provided).

Fix the Top panel (1) to Top Support Panel (8) by screwdriver (not provided).

DO NOT use any power tools as this may damage the frame and will invalidate any claim.



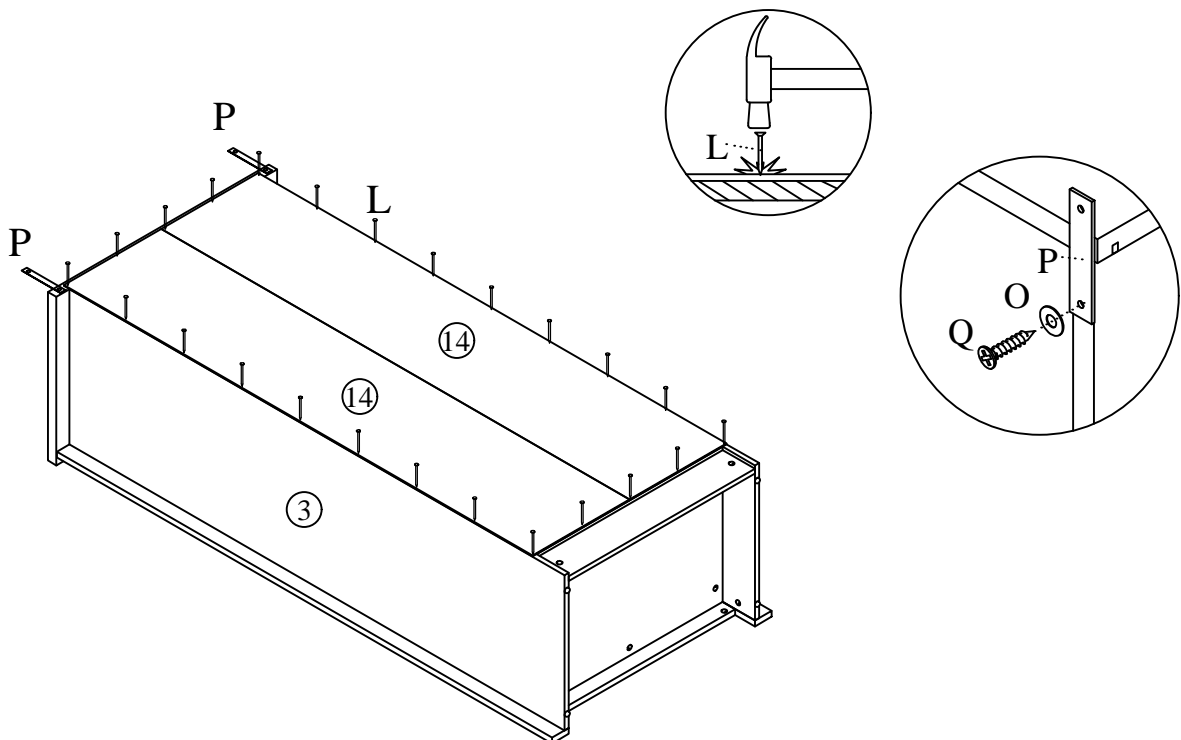
7

L		30
O		2
P		2
Q		2







Attach The Back Panel (14) using Nail (L) by screwdriver (not provided).

Fix Anti tip strap (P) with washer (O) and Screw (Q) To Top Panel (1) by screwdriver (not provided).

DO NOT use any power tools as this may damage the frame and will invalidate any claim.



**8**

E		12
H		4
J		2
N		1
O		2
Q		2

Attach the Door (13) to Left and Right Panel (2) & (3) with Hinges ( I ) using screw (E) by screwdriver (not provided).

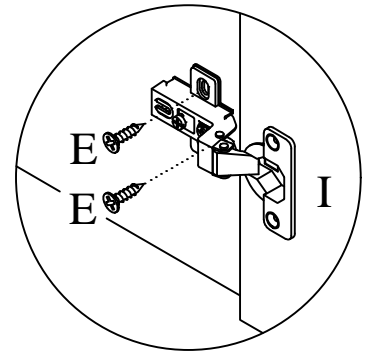
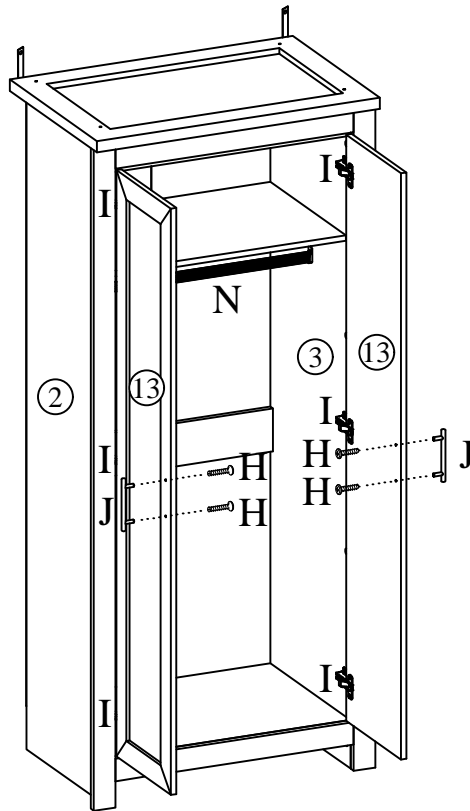
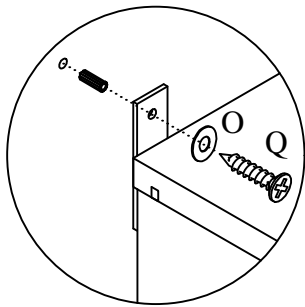
Fix Handle (J) to Door (13) using screw (H) by screwdriver (not provided).

Fix Anti tip strap (P) with washer (O) and Screw (Q) to wall by screwdriver (not provided).

- Make sure it is firmly attached and make sure it is snug fit

- Seek advice from a qualified trade person on how to attach this safety strap to your specific wall.

**DO NOT** use any power tools as this may damage the frame and will invalidate any claim.

**9**