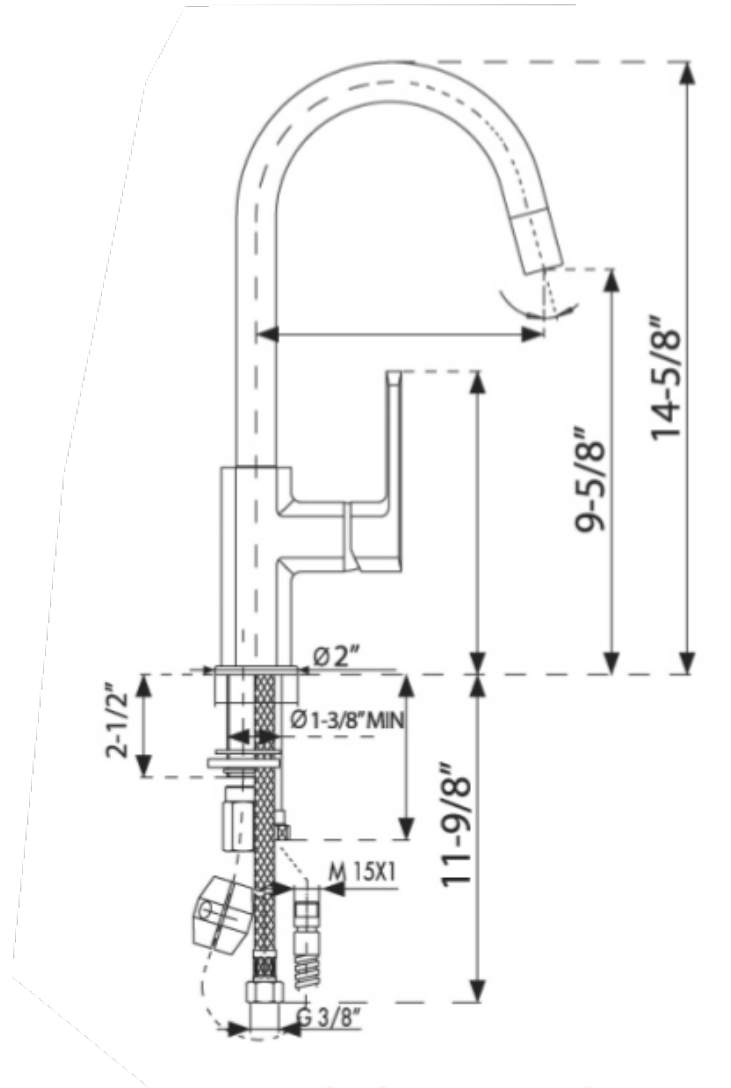


86XX591



Single handle pull-down bar
faucet

SPECIFICATION SUBMITTAL

Kitchen series

86XX591

Pulldown kitchen, Contemporary
Styling

STANDARDS

- Compliant with ASME A112.18.1-B125.1
- Compliant with AB1953
- Compliant with ANSI NSF61 – Annex G
- Certified by CSA International
- Compliant with ANSI A117.1

| | 8644591 | 8642591 | 8658591 | 8664591 |
|-----------------|---------|---------|---------|---------|
| Finishes | | | | |
| Titanium | X | | | |
| Black Metallic | | X | | |
| Milk White | | | X | |
| Brown | | | | X |

| | PAMIX50E 42 | PAMIX50E 44 | PAMIX50E 58 | PAMIX50E 64 |
|--|-------------|-------------|-------------|-------------|
| Features | | | | |
| Solid Brass Construction | X | X | X | X |
| Single Control Ceramic Disc Valve | X | X | X | X |
| Meets NSF 61/9 Annex G Lead Requirements | X | X | X | X |
| ADA Compliant | X | X | X | X |
| Step-By-Step Installation Instructions | X | X | X | X |
| Limited Lifetime Warranty | X | X | X | X |
| 1.75 GPM | X | X | X | X |

1-866-668-6690
1571 MAIN RD
NEWFIELD, NJ 08344

www.paini-usa.com

