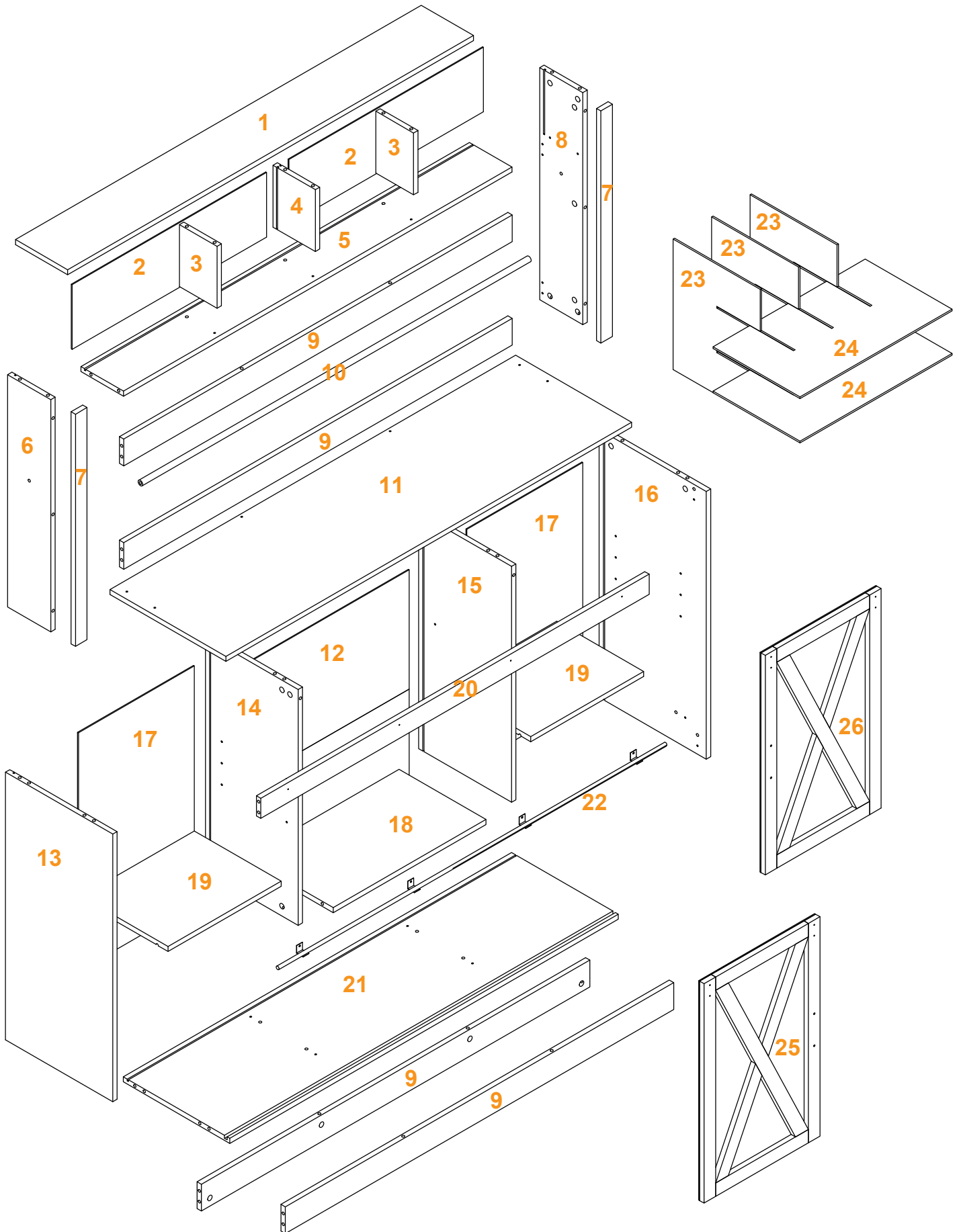


ASSEMBLY INSTRUCTIONS



Trouble Shooting

Missing/Damaged pieces/
Wrong size and installation issues



Contact us with your problem, pic,
number and qty to the "Contact seller"
button in the detail page of your order



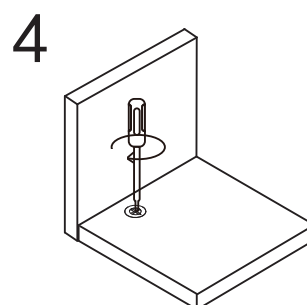
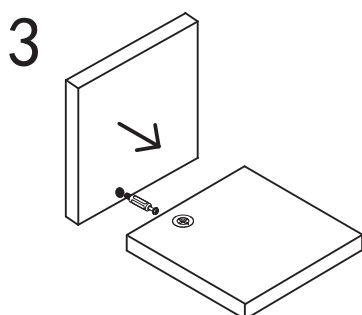
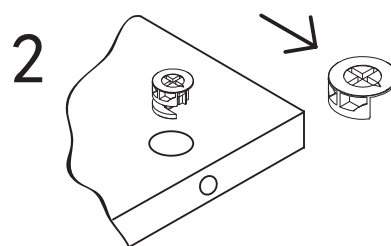
Respond with 24 hours to solve issue

Before You Start

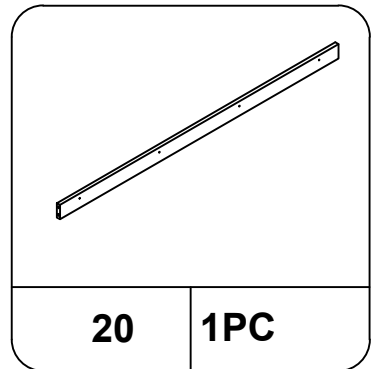
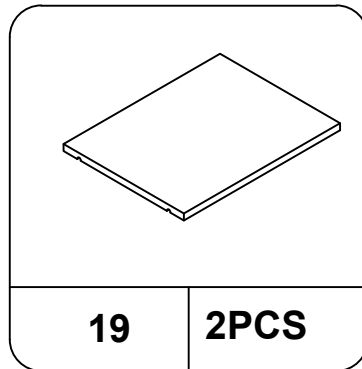
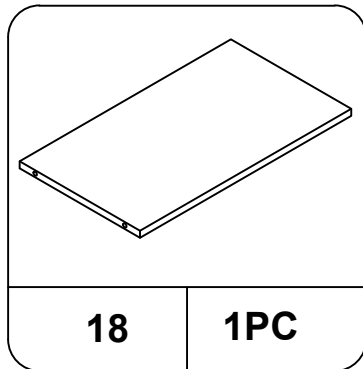
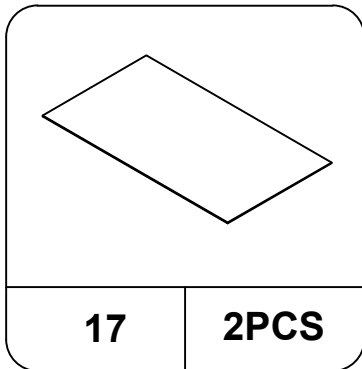
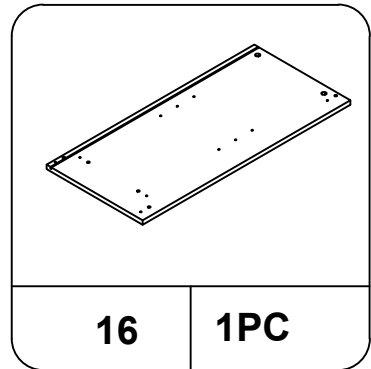
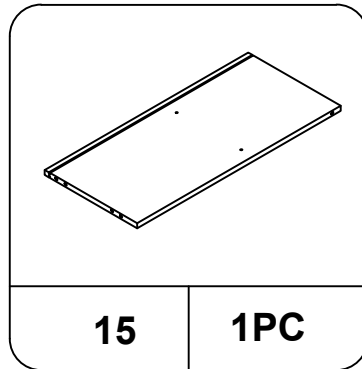
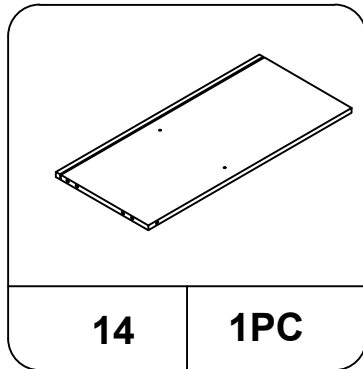
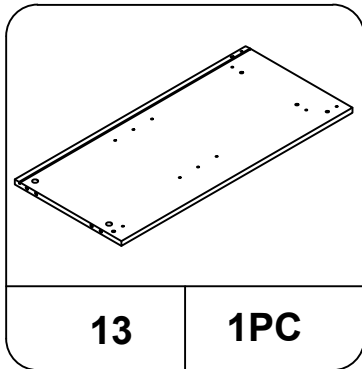
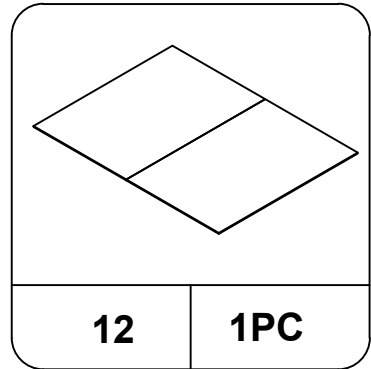
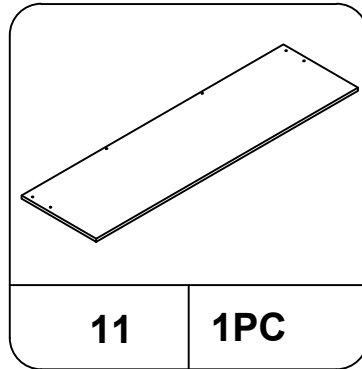
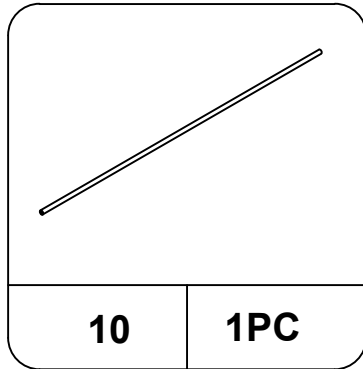
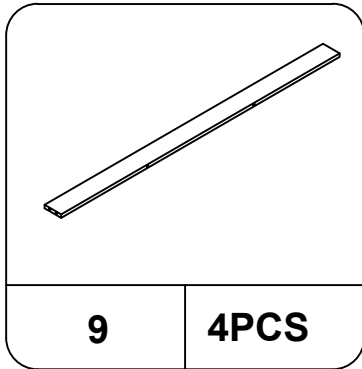
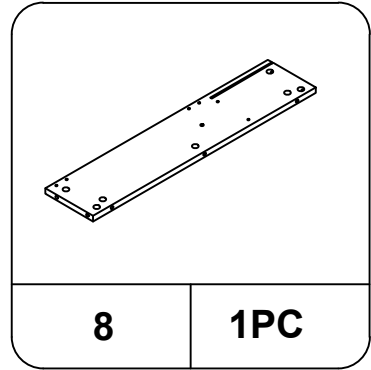
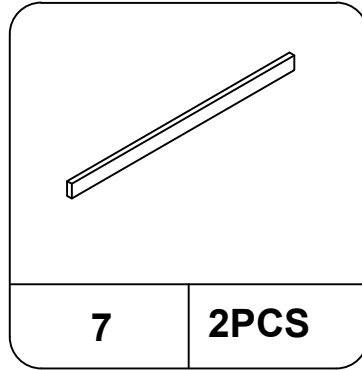
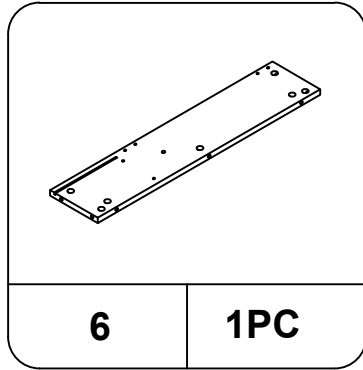
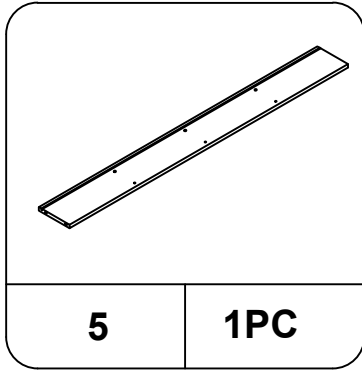
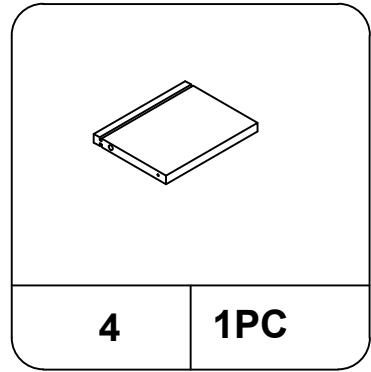
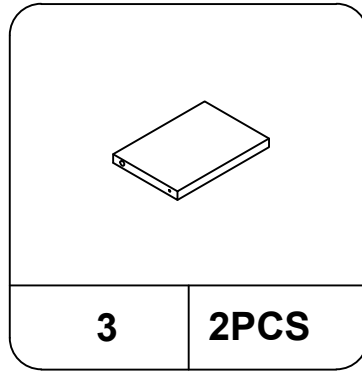
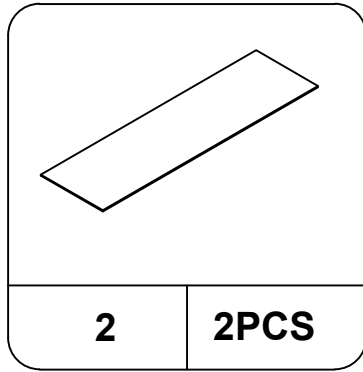
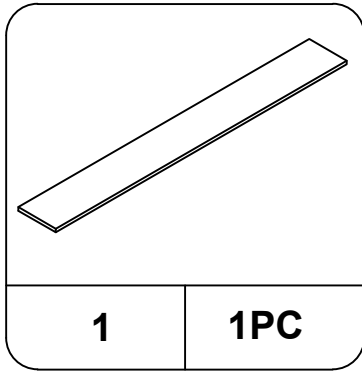
1. Read through each step carefully and follow the proper order
2. Separate and count all your parts and hardware
3. Give yourself enough room for the assembly process
4. Caution: If using a power drill or power screwdriver for screwing, please be aware to slow down and stop when screw is tight. Failure to do so may result in stripping the screw

Cam Lock Fastening System

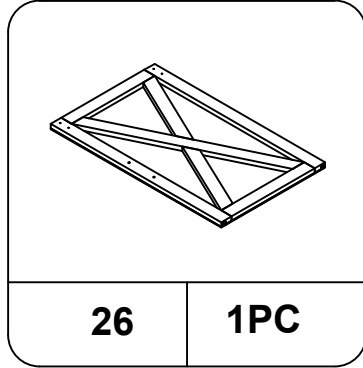
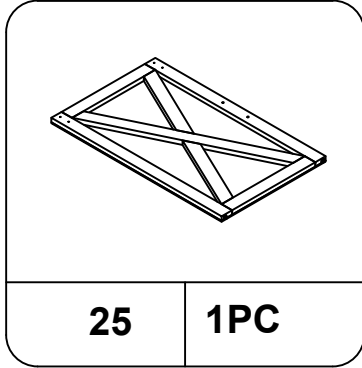
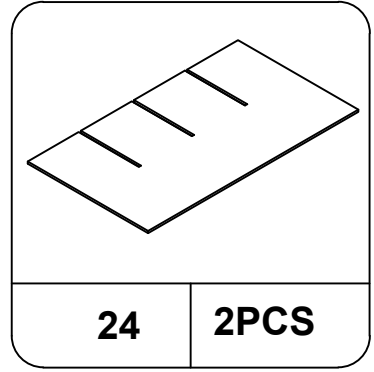
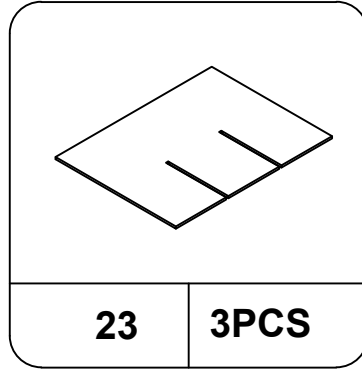
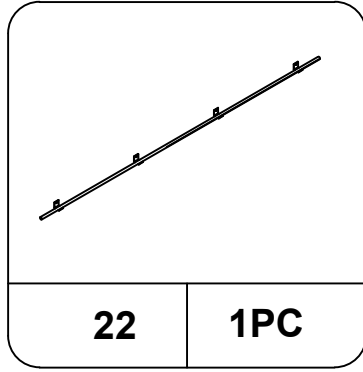
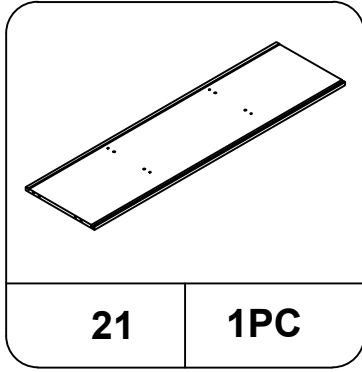
This Cam Lock Fastening System will be used throughout the assembly process







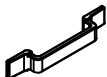




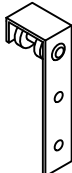
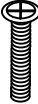




Parts List



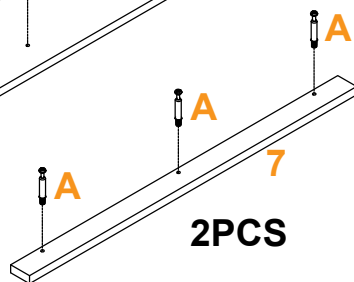
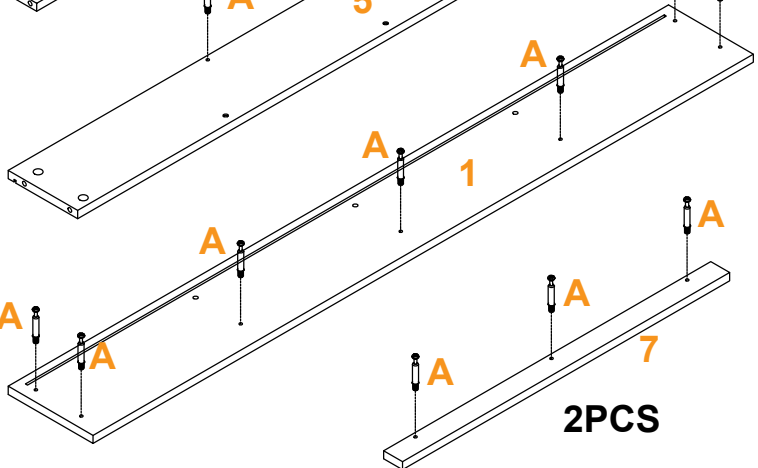
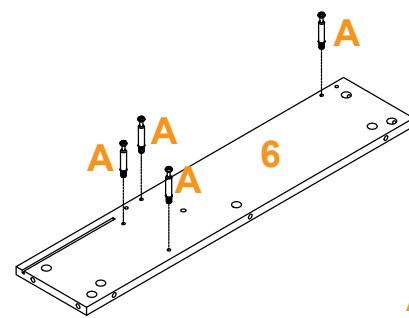
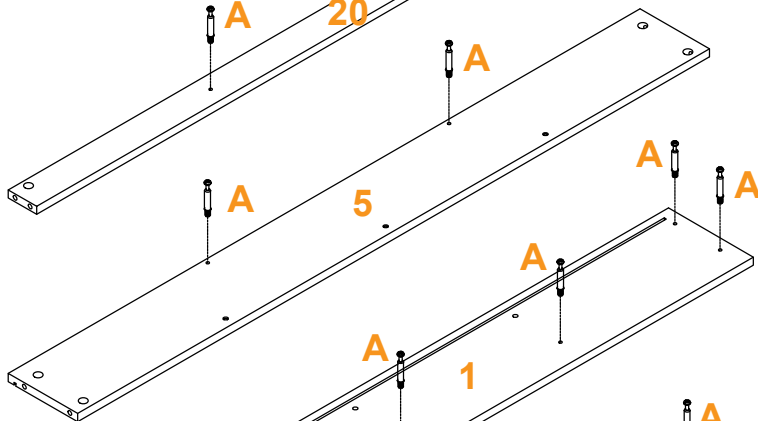
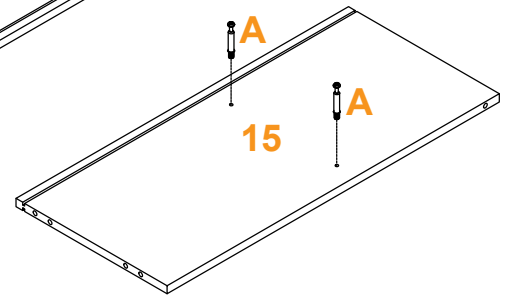
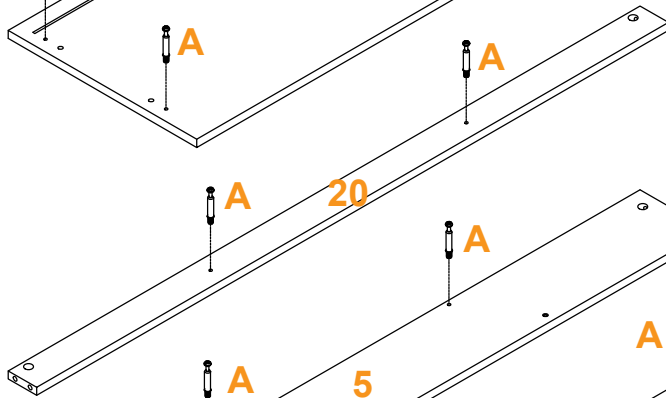
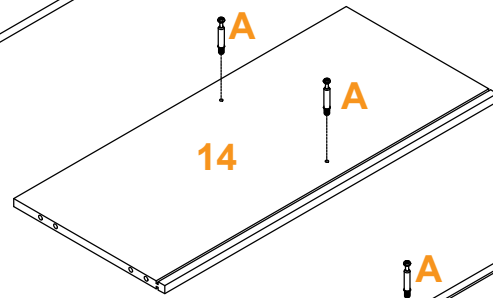
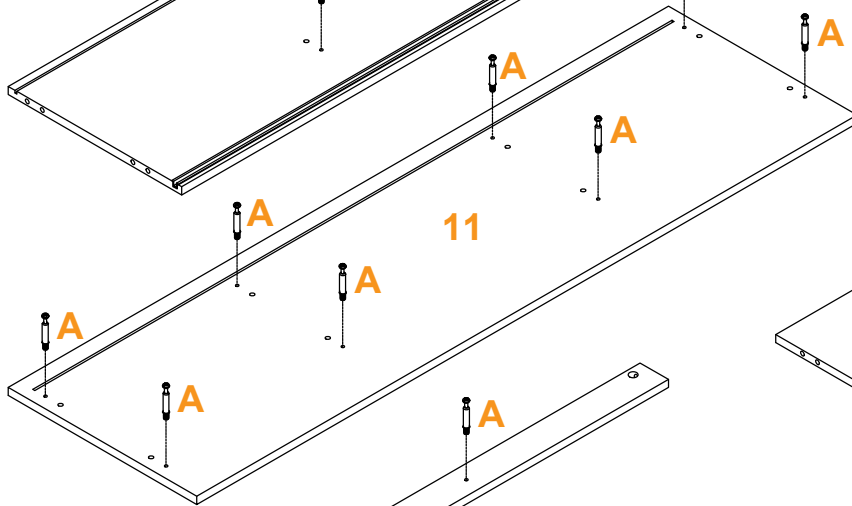
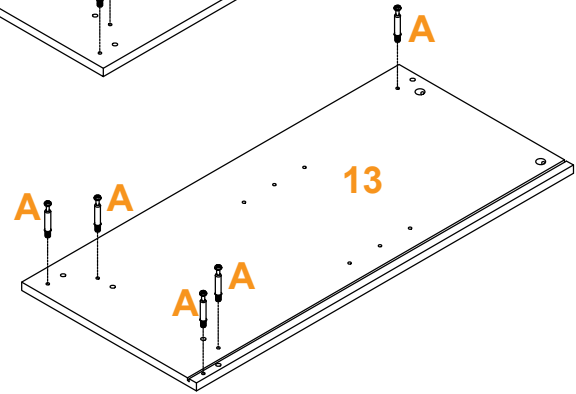
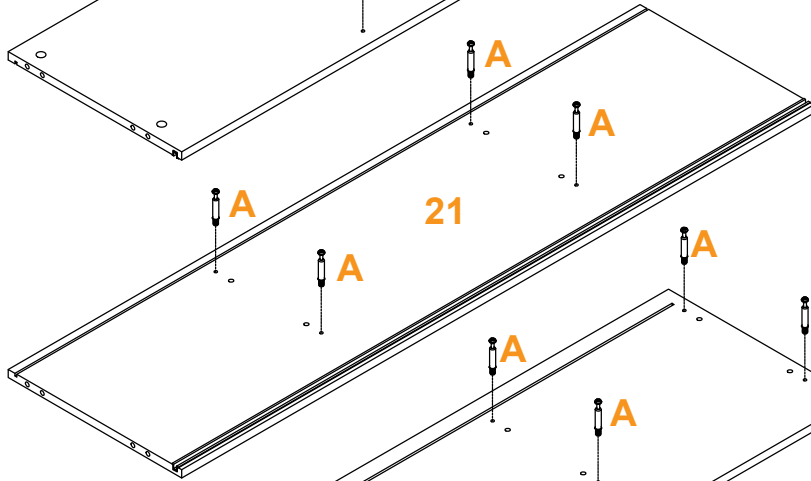
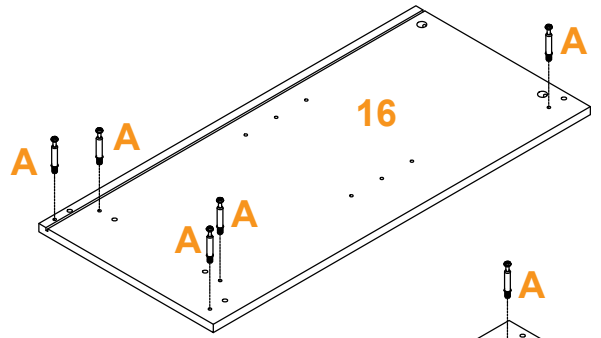
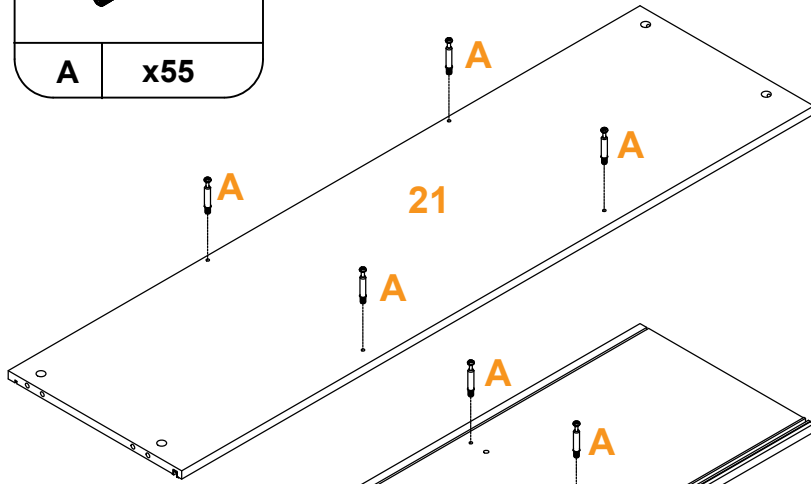
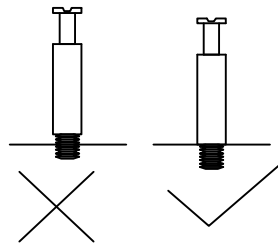
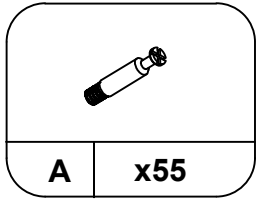
Parts List



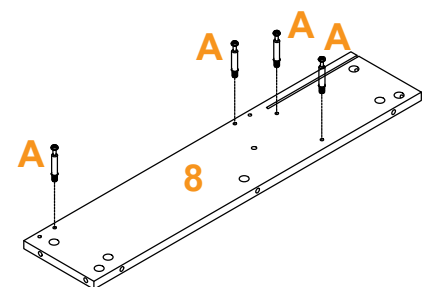
Hardware List

	 φ15*9mm	 M8*30mm	 Ø4*40mm
A 61PCS	B 61PCS	C 26PCS	D 3PCS
	 M4*22mm		
E 2PCS	F 4PCS	G 8PCS	H 8PCS
 φ4*14mm		 M6*30MM	
I 12PCS	J 4PCS	K 2PCS	L 4PCS
 M3*14mm			
M 12PCS	N 12PCS	O 1PC	

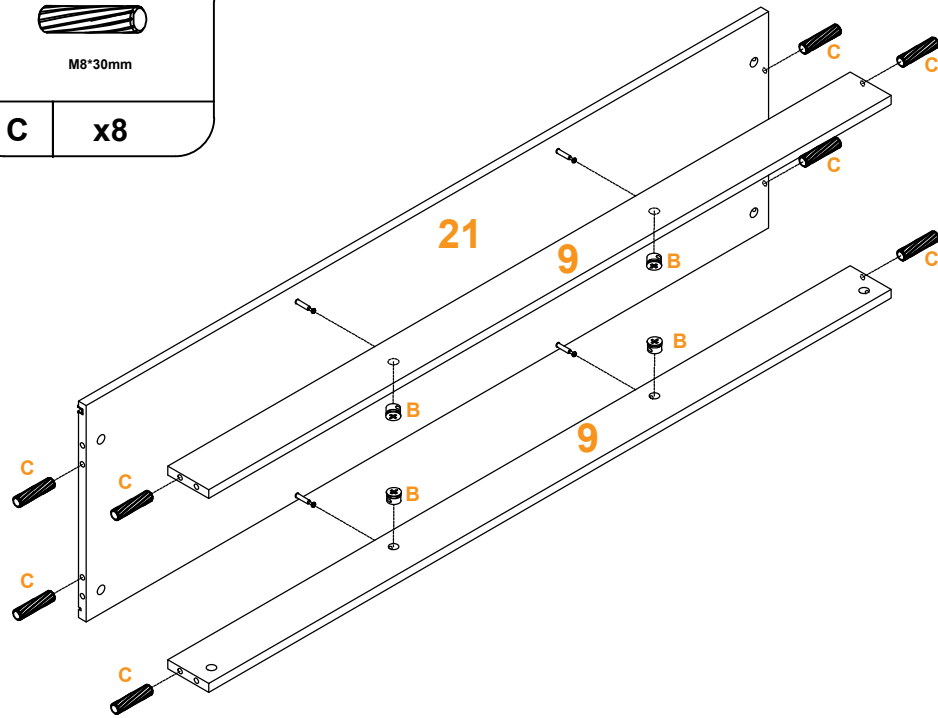
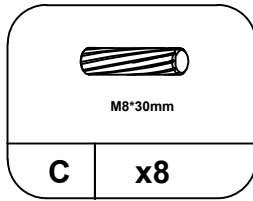
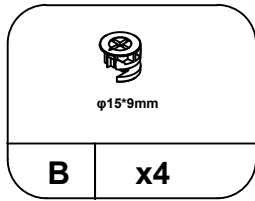
STEP 1



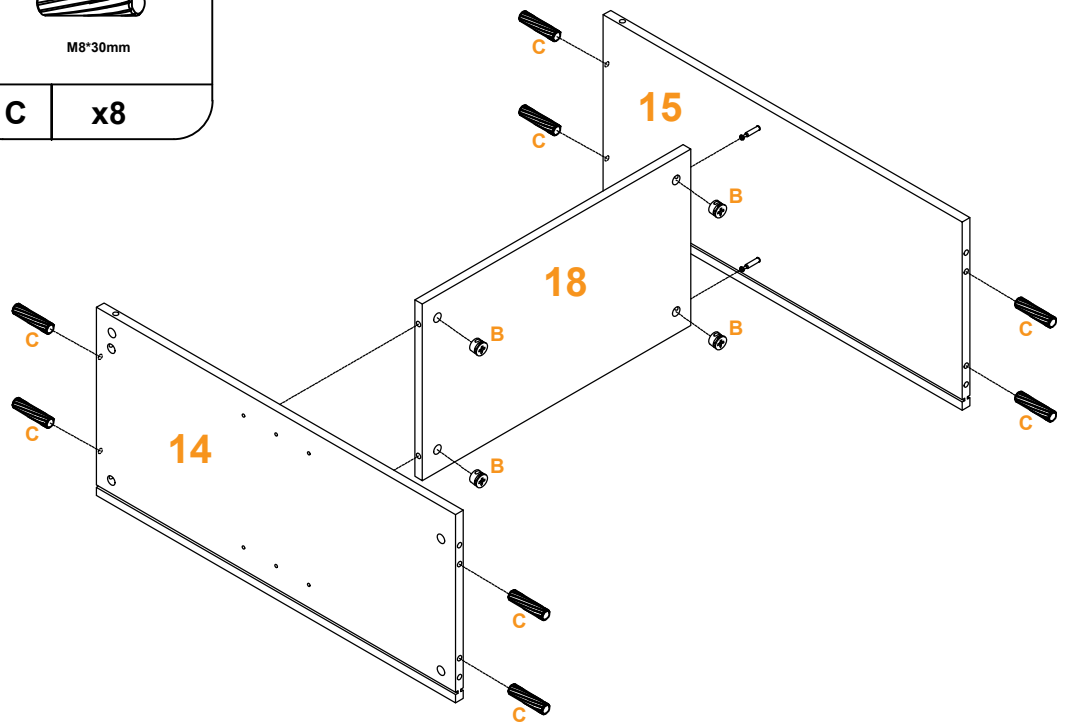
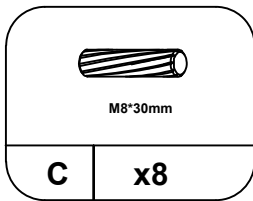
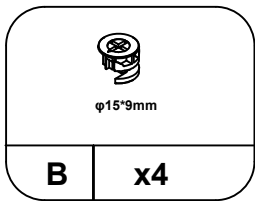
2PCS



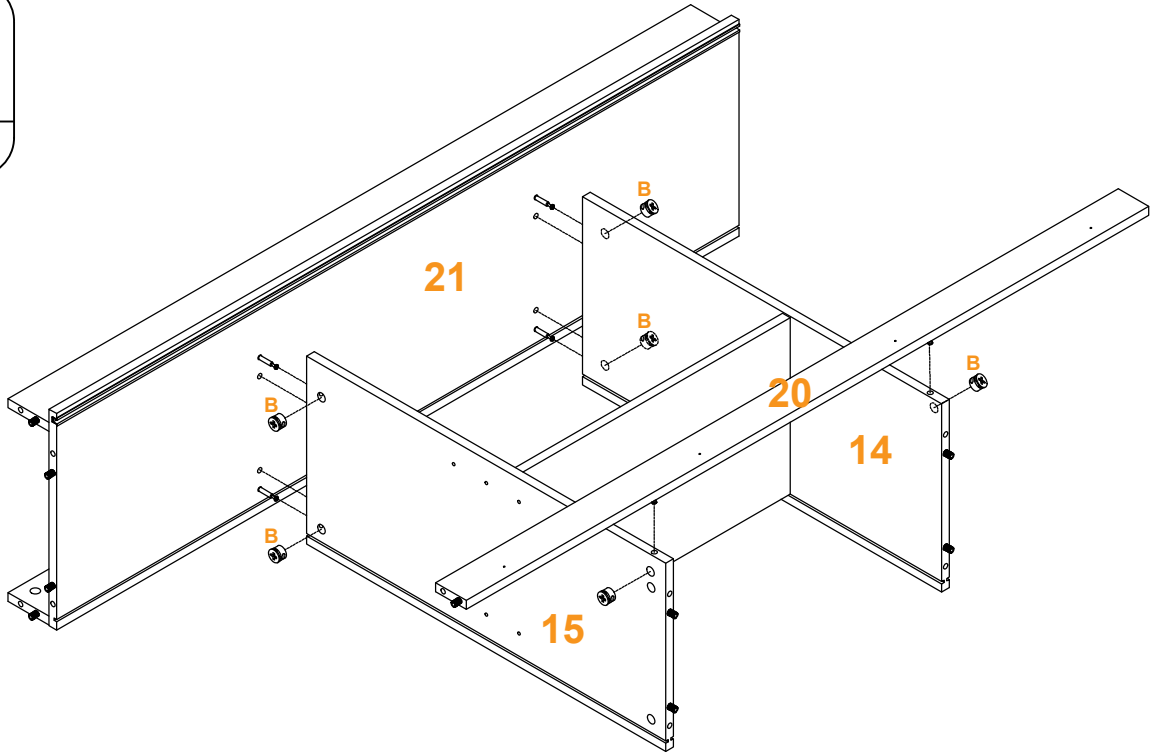
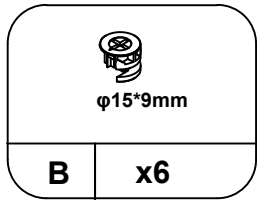
STEP 2



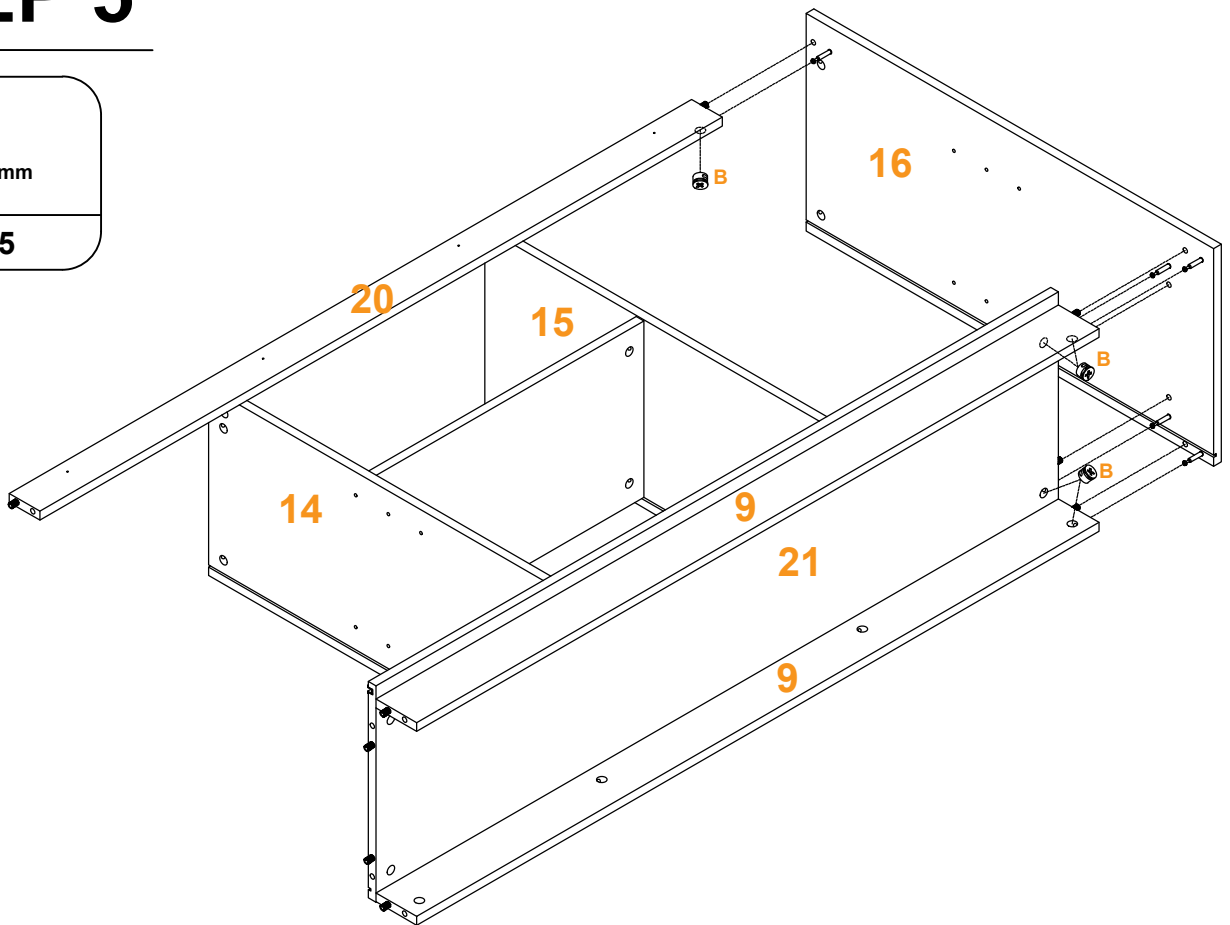
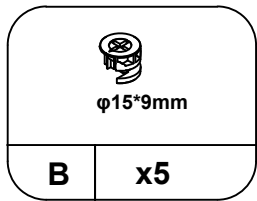
STEP 3



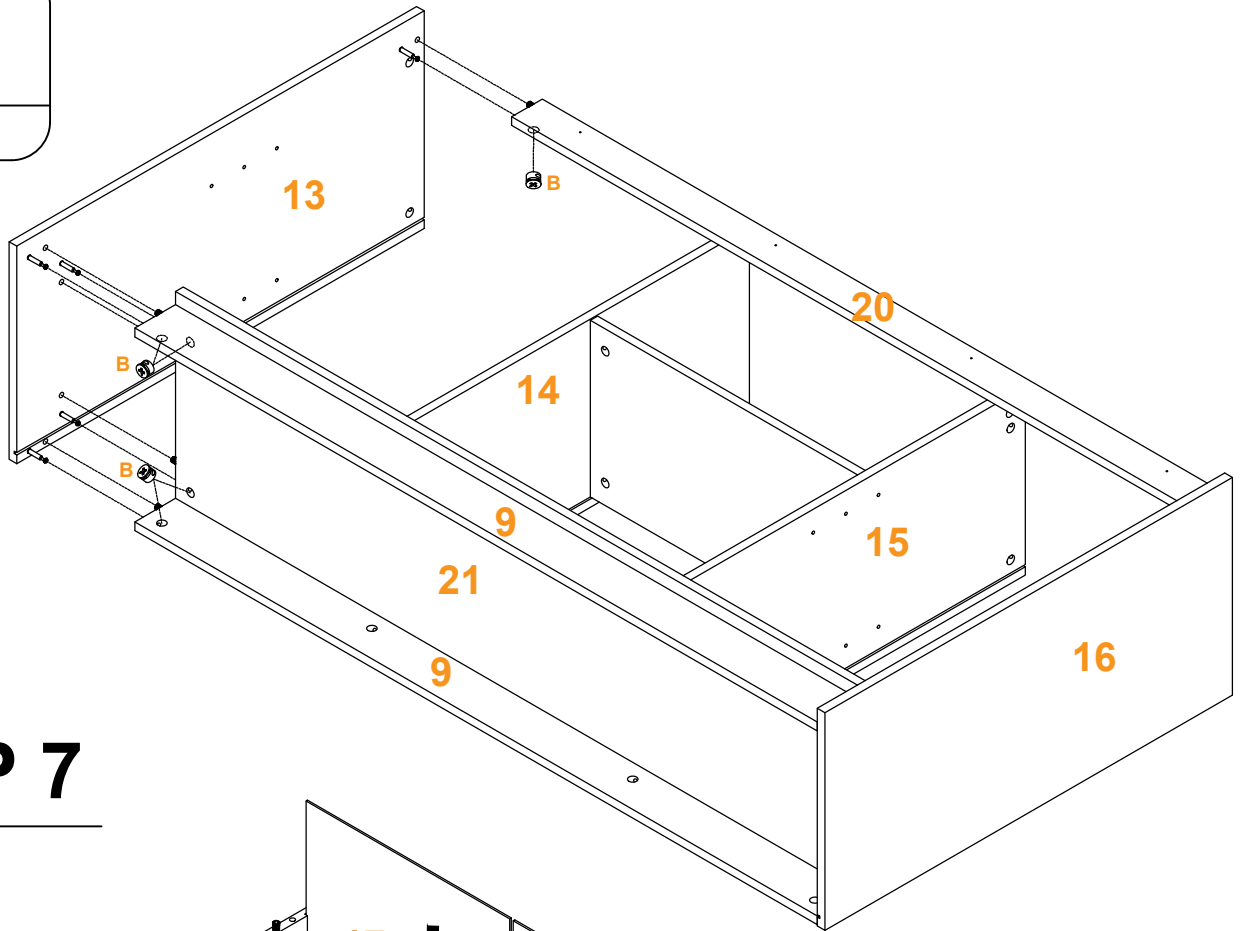
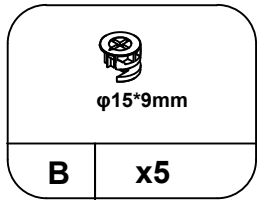
STEP 4



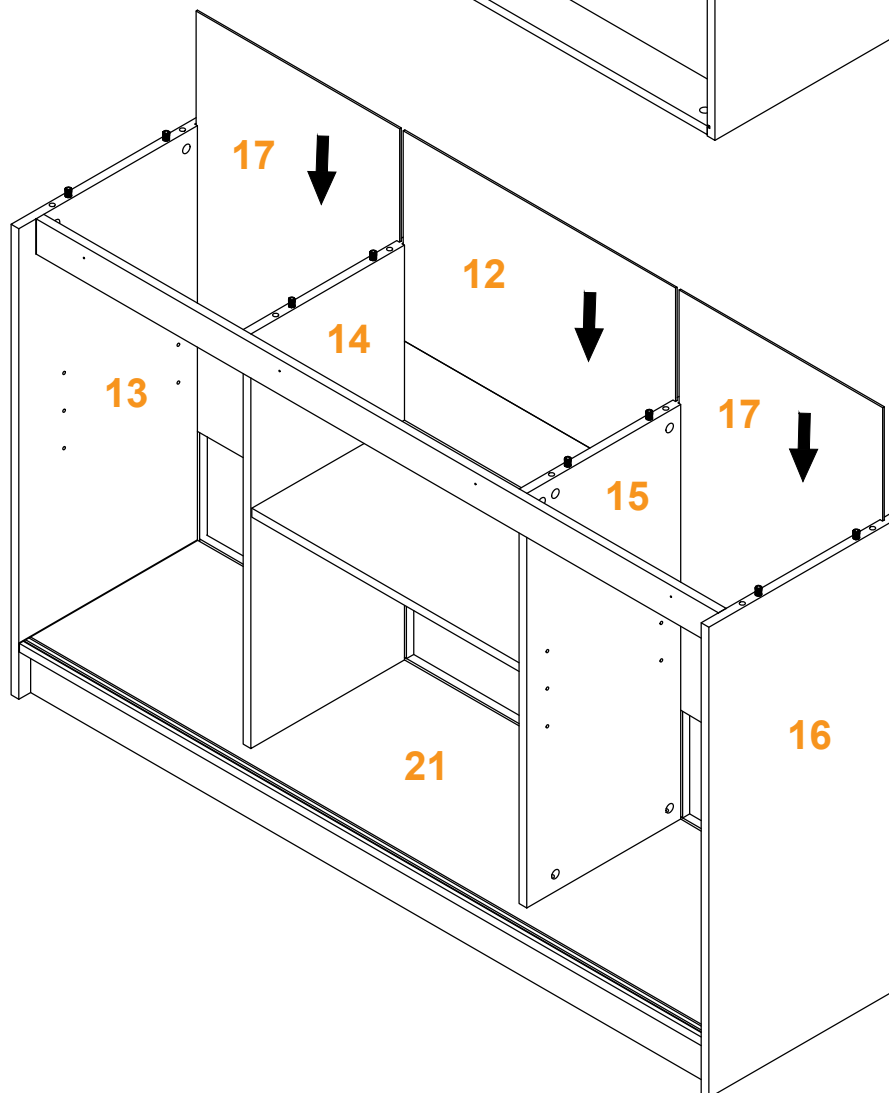
STEP 5



STEP 6



STEP 7



STEP 8



φ15*9mm

B

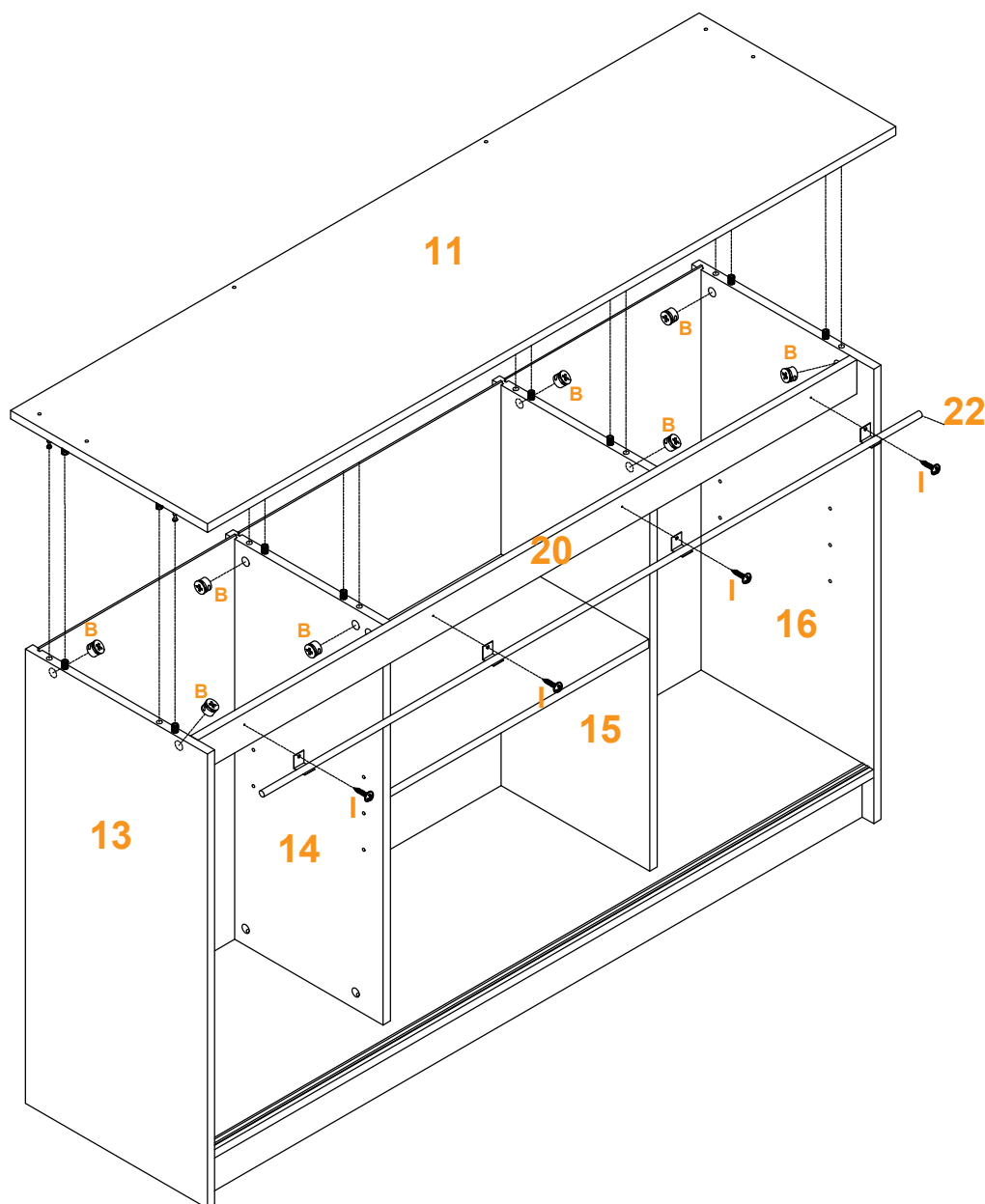
x8



φ4*14mm

I

x4



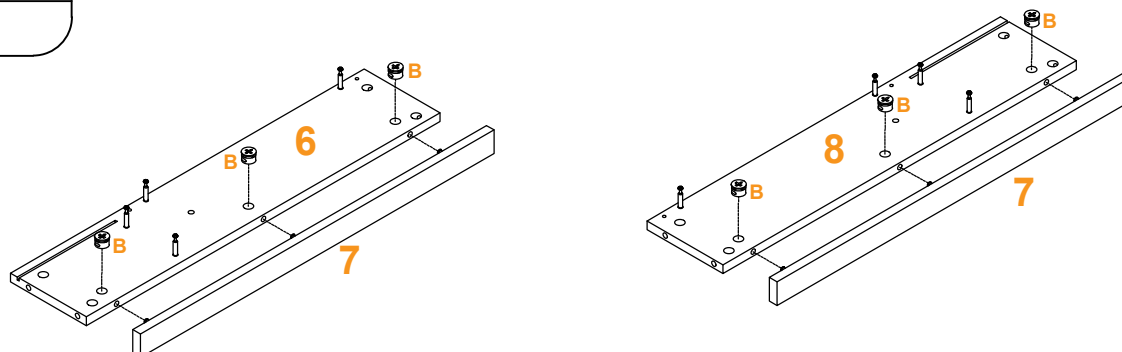
STEP 9



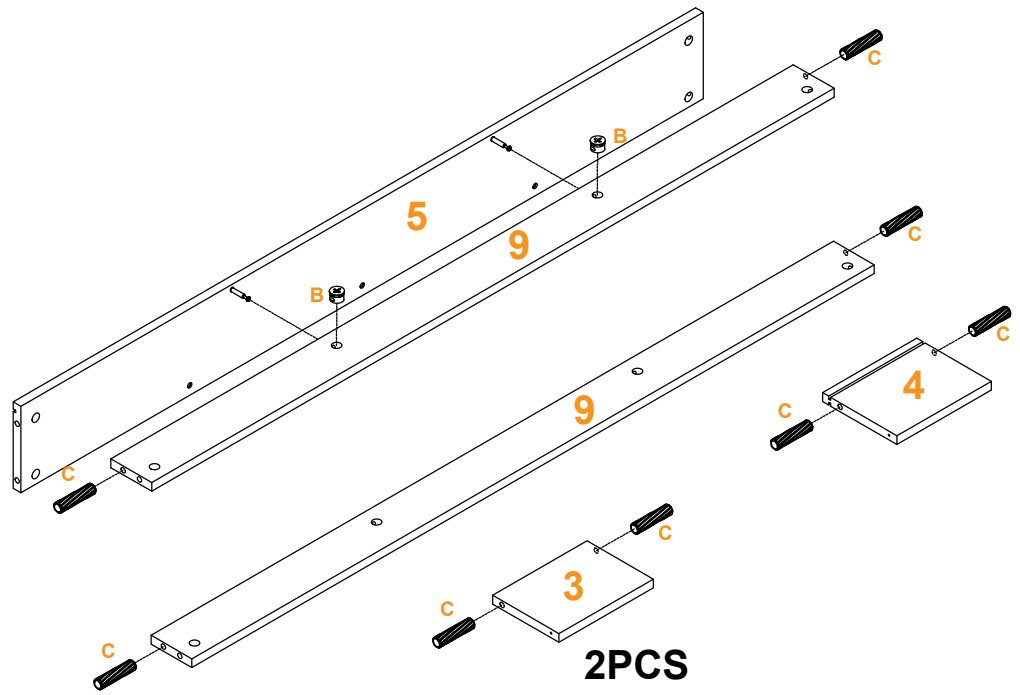
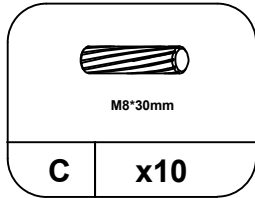
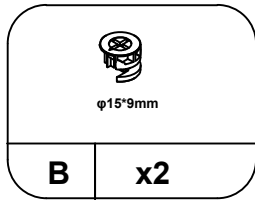
φ15*9mm

B

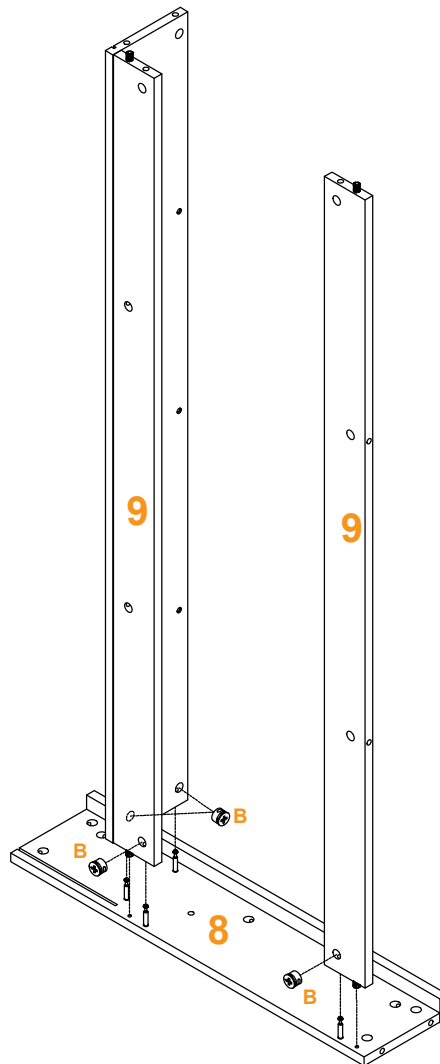
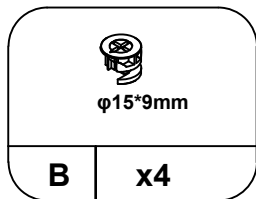
x6



STEP 10



STEP 11



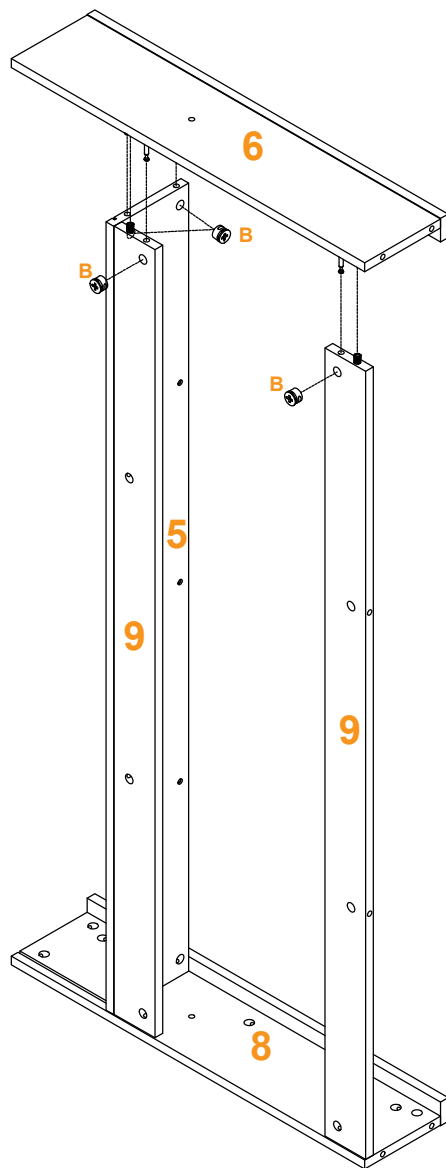
STEP 12



φ15*9mm

B

x4



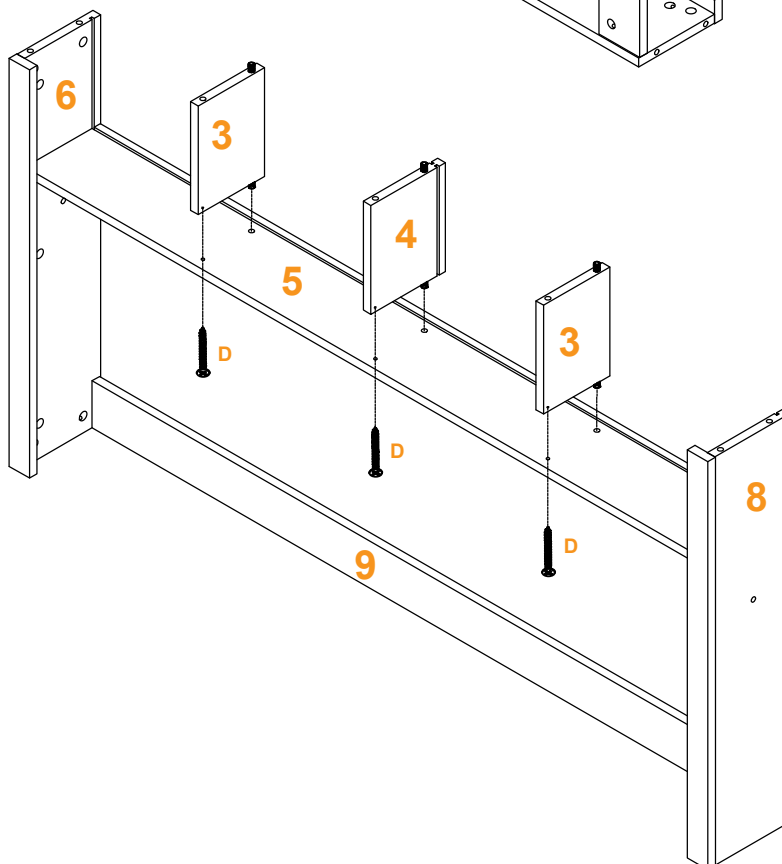
STEP 13



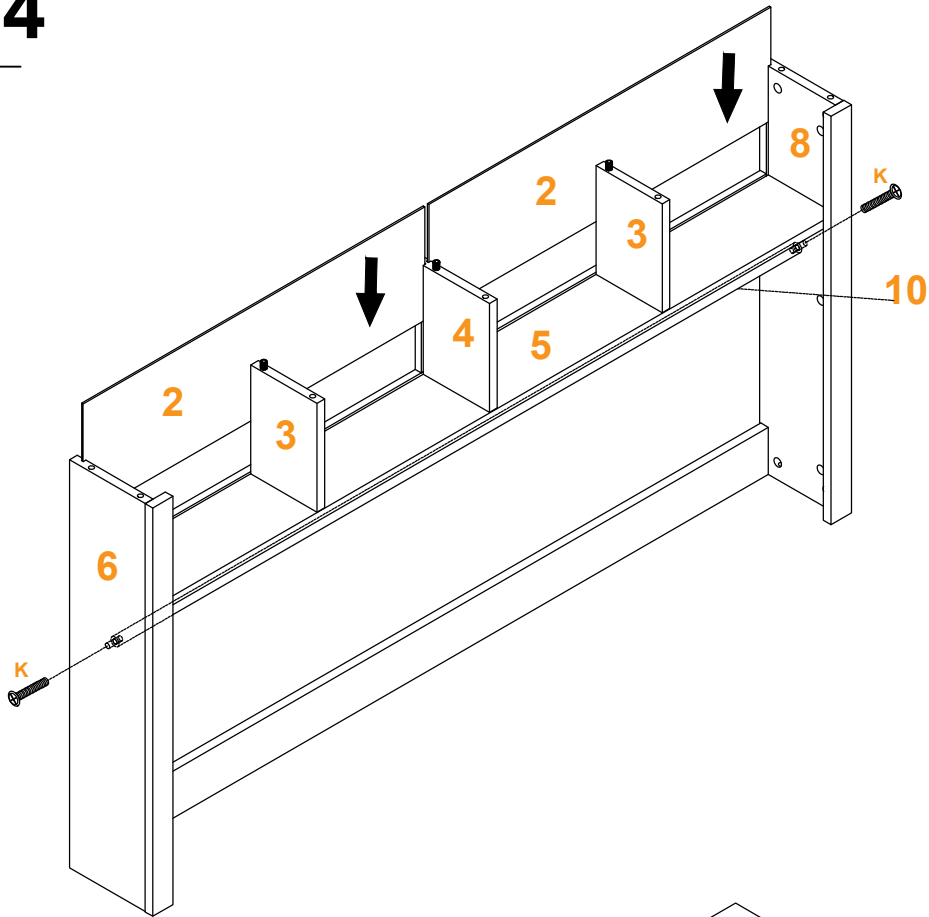
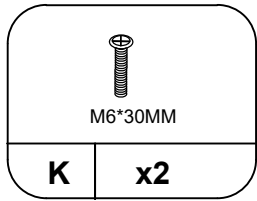
Ø4*40mm

D

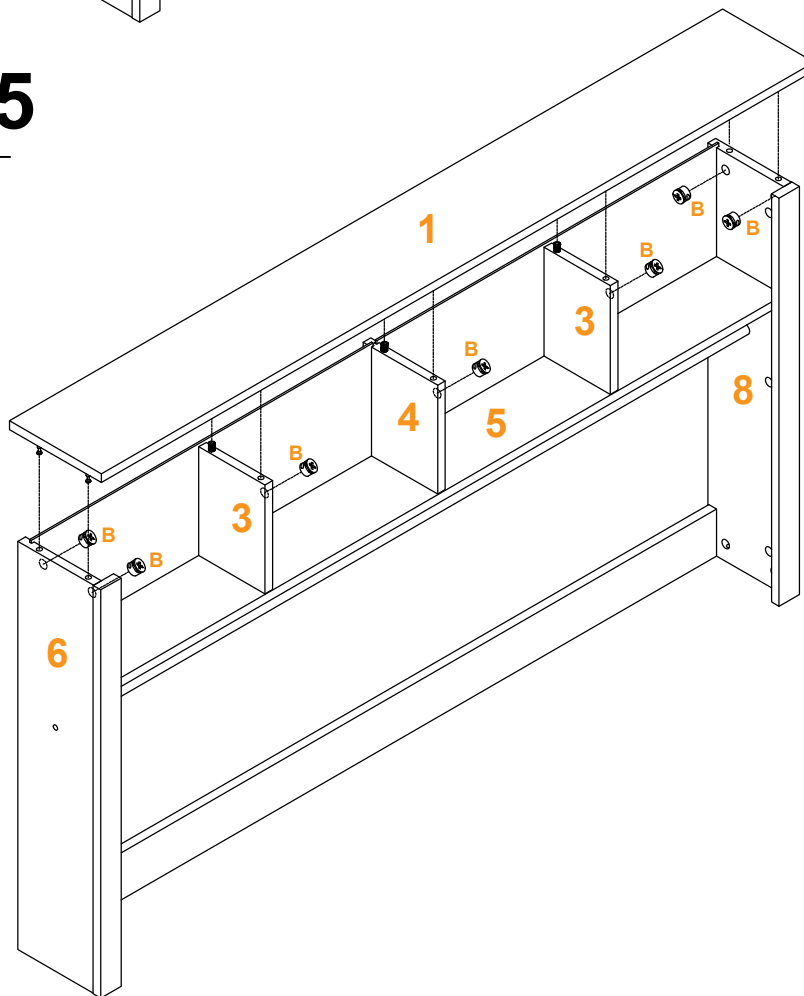
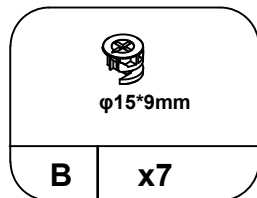
x3




STEP 14





STEP 15

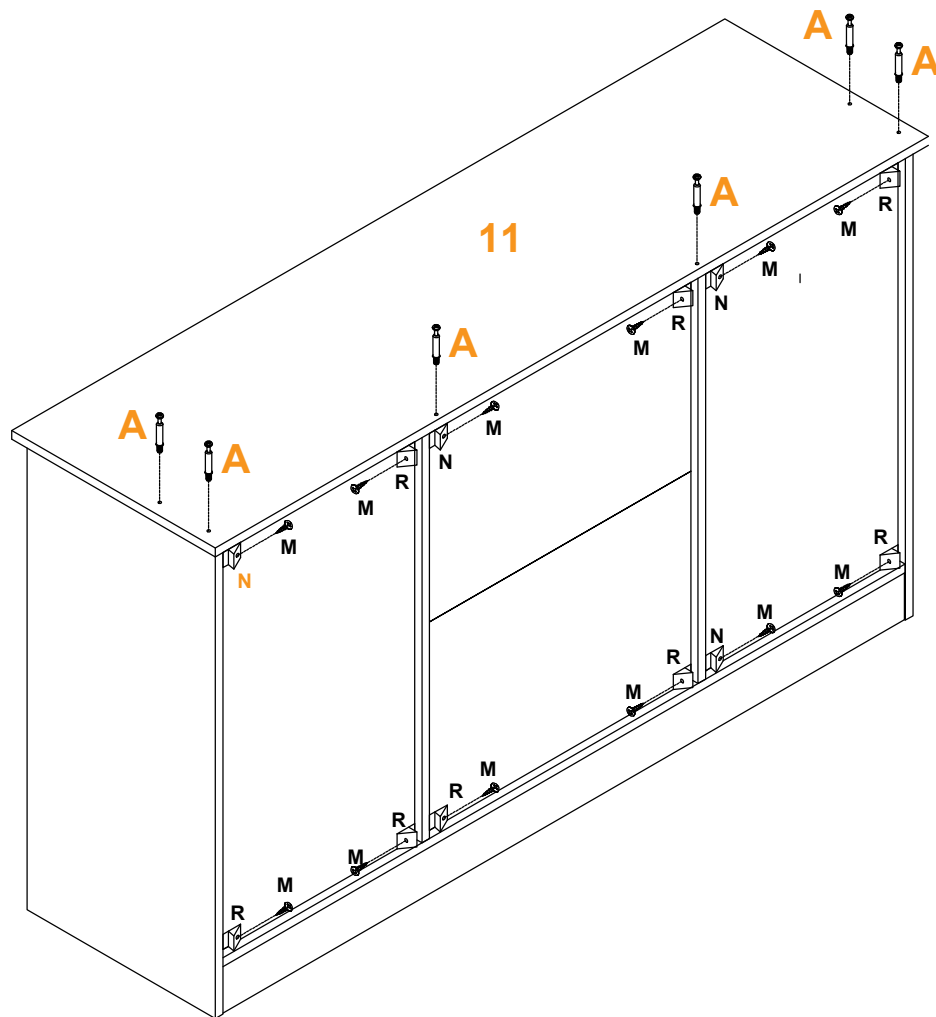


STEP 16



 $\phi 3 \times 14 \text{mm}$
M | **x12**



N | **x12**



A | **x6**





STEP 17

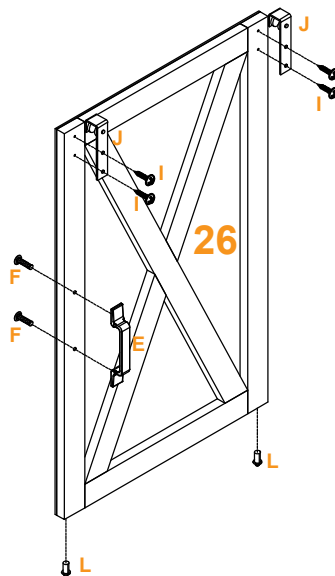
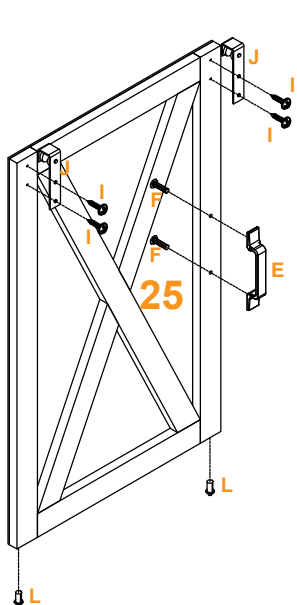

E | **x2**


M4 \times **22mm**
F | **x4**

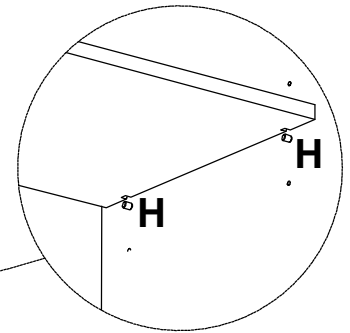
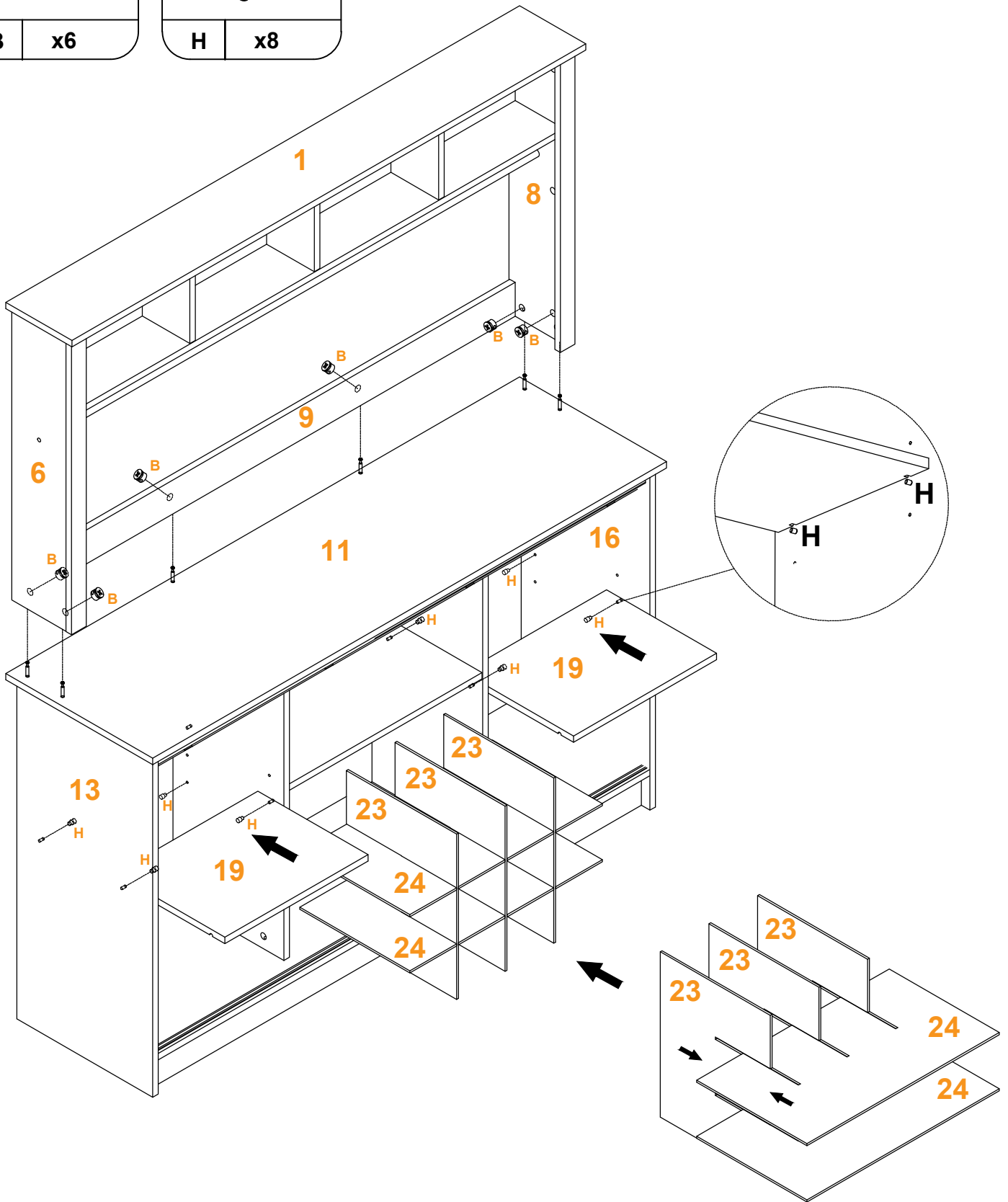
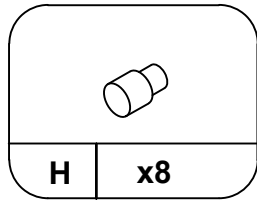
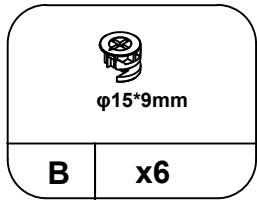

 $\phi 4 \times 14 \text{mm}$
I | **x8**


J | **x4**

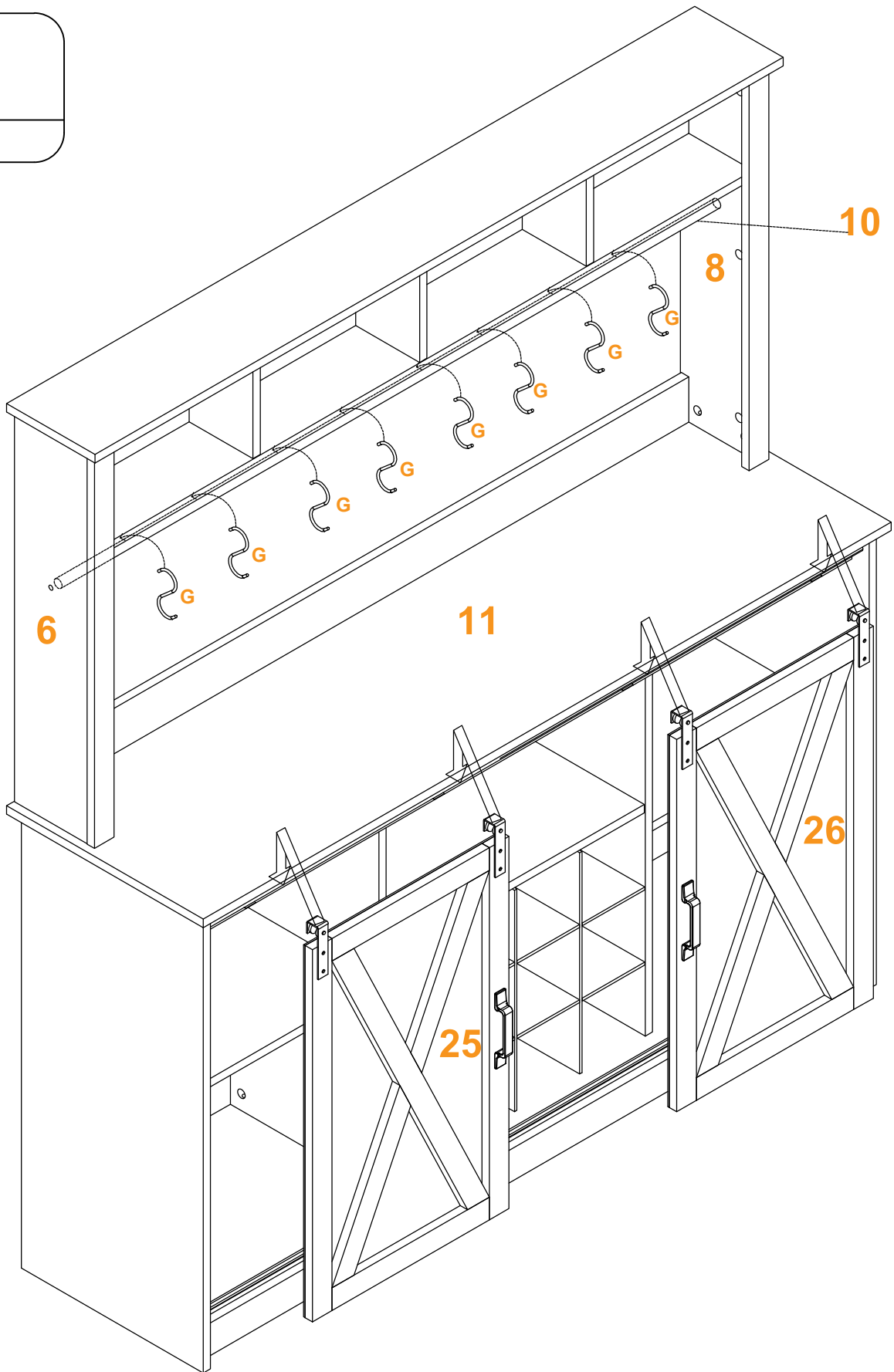
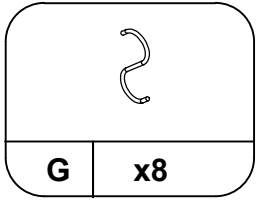

L | **x4**



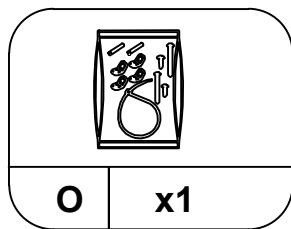
STEP 18



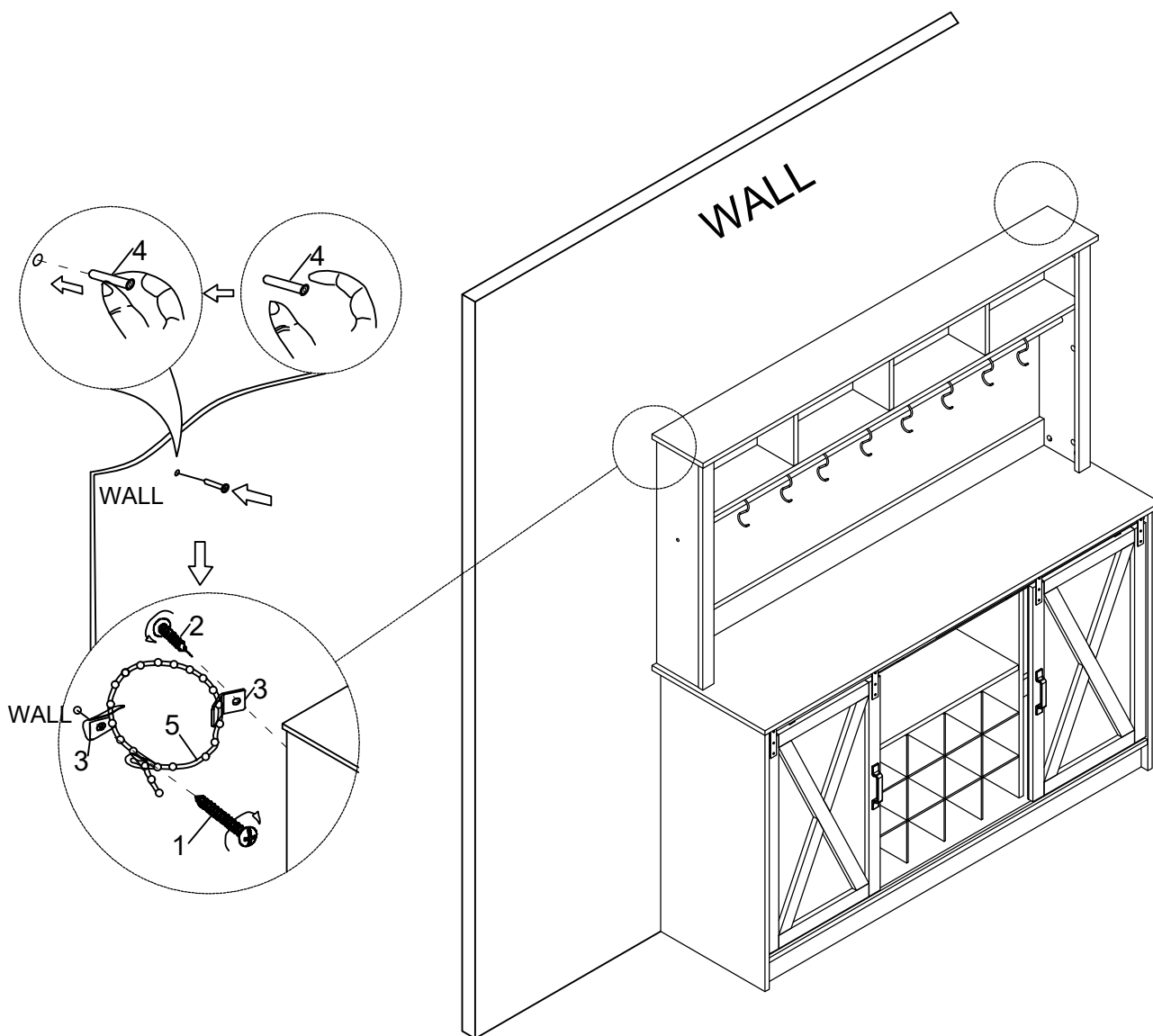
STEP 19



STEP 20



PART LIST	FIGURE	QUANTITY	DESCRIPTION
1		2PC	LONG SCREW (Dia.4mmX38mmL)
2		2PC	SHORT SCREW (Dia.4mmX19mmL)
3		4PC	METAL "L" BRACKET
4		2PC	PLASTIC ANCHOR
5		2PC	CABLE



Follow the instructions printed on the plastic bag containing the tipping restraint hardware to attach the tip-over restraints to the unit and the wall.

NOTE: The tipping restraint hardware included is for drywall construction. It will be necessary to drill holes for the wall anchors. Depending upon your wall construction, different anchor hardware may be required.

Please contact your local hardware store for assistance.