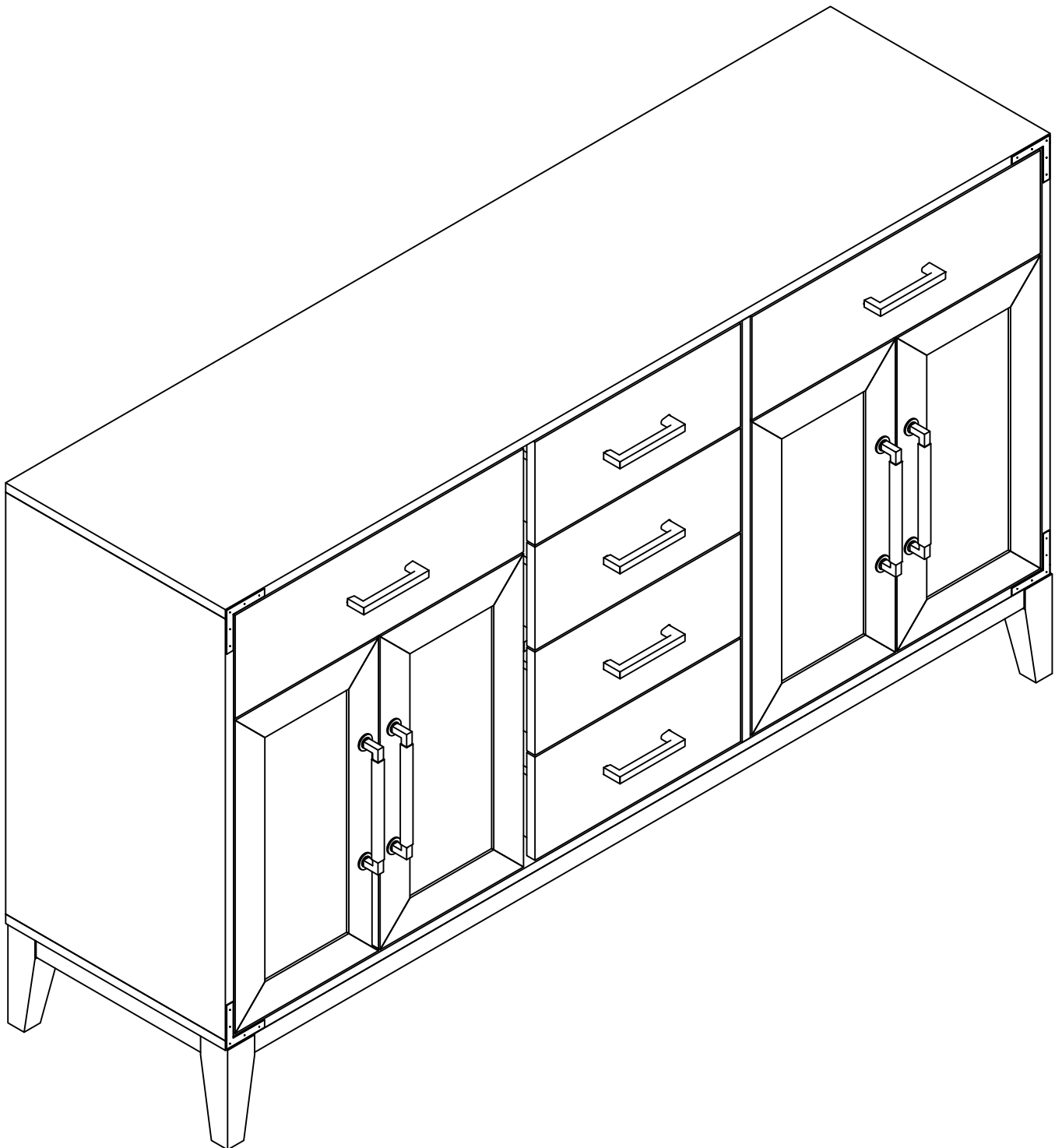
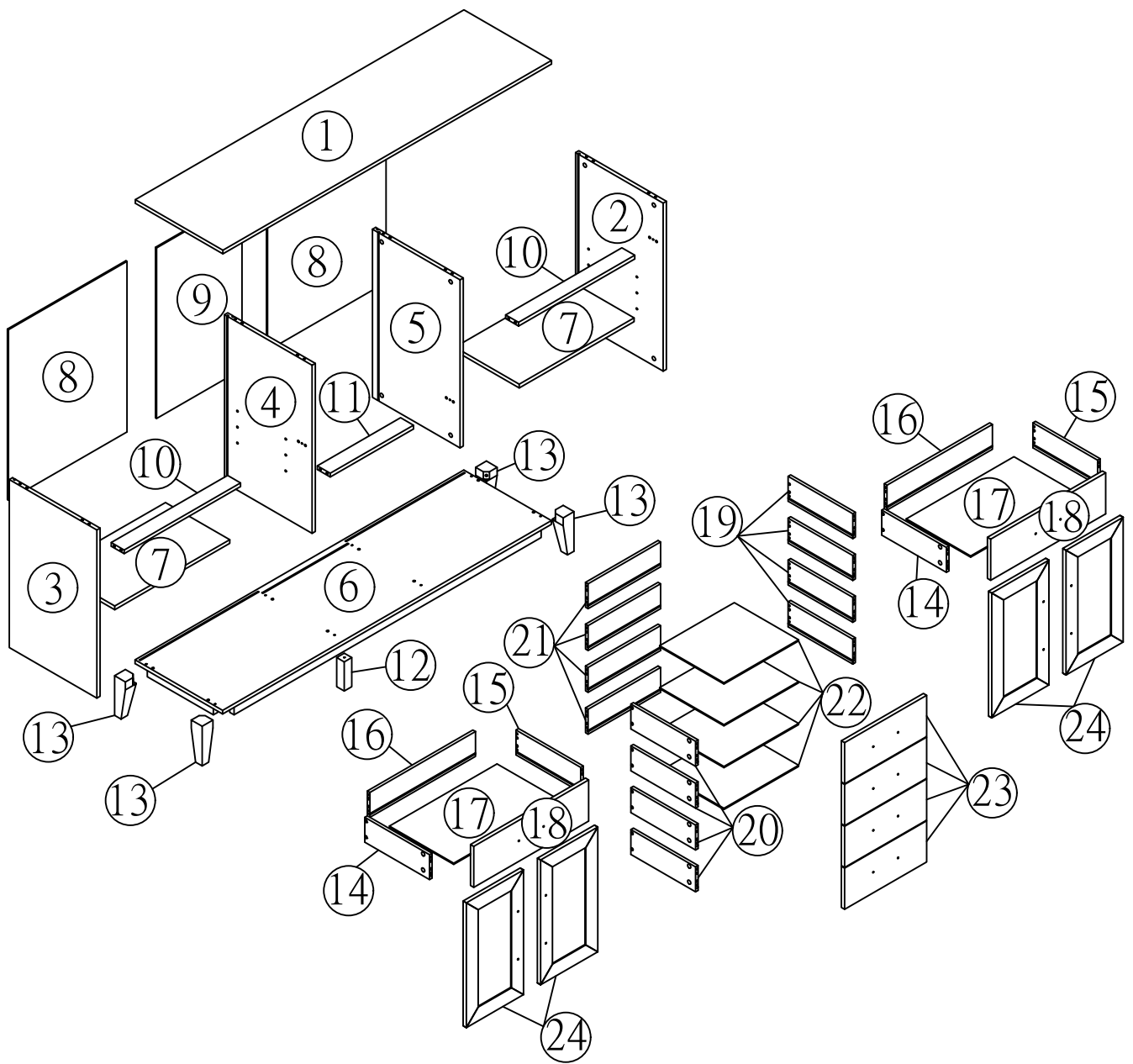
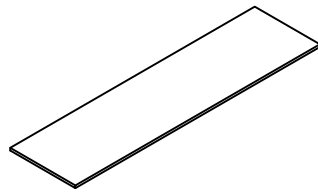


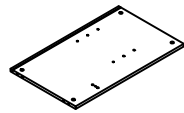
# ASSEMBLY INSTRUCTION



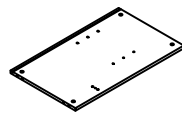




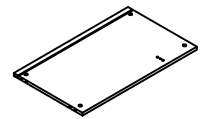
① x 1



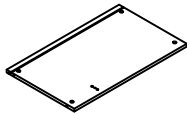
② x 1



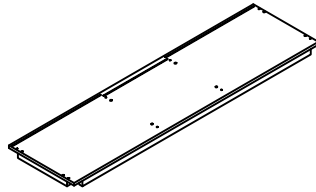
③ x 1



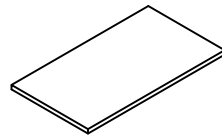
④ x 1



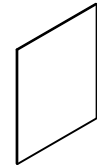
⑤ x 1



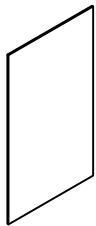
⑥ x 1



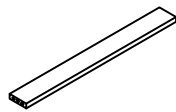
⑦ x 2



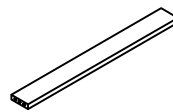
⑧ x 2



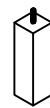
⑨ x 1



⑩ x 2



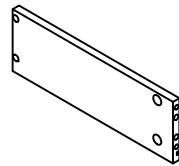
⑪ x 1



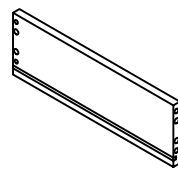
⑫ x 1



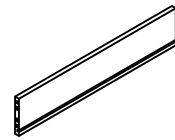
⑬ x 4



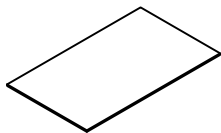
⑭ x 2



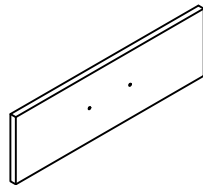
⑮ x 2



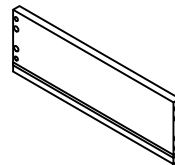
⑯ x 2



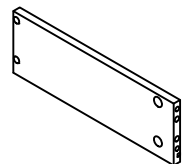
⑰ x 2



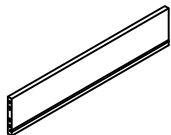
⑱ x 2



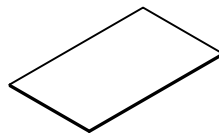
⑲ x 4



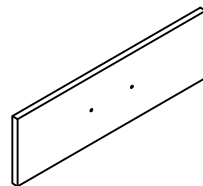
⑳ x 4



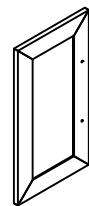
㉑ x 4



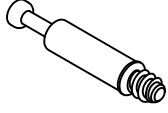








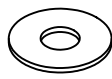


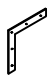




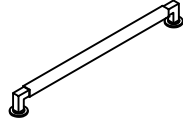

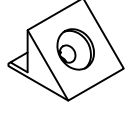

㉒ x 4



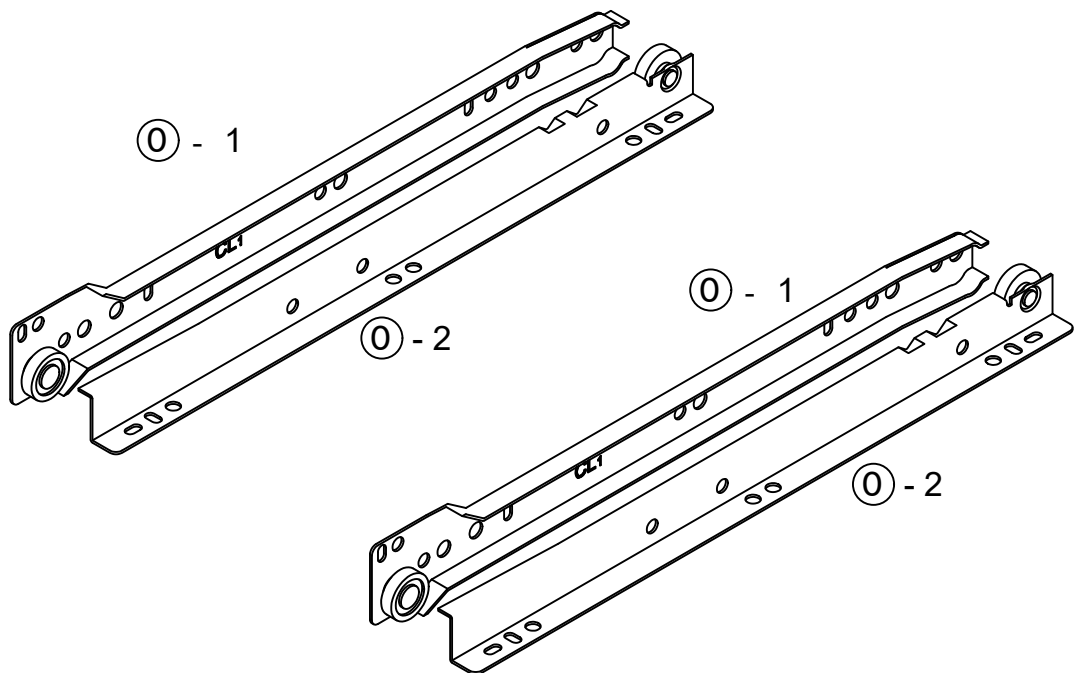
㉓ x 4



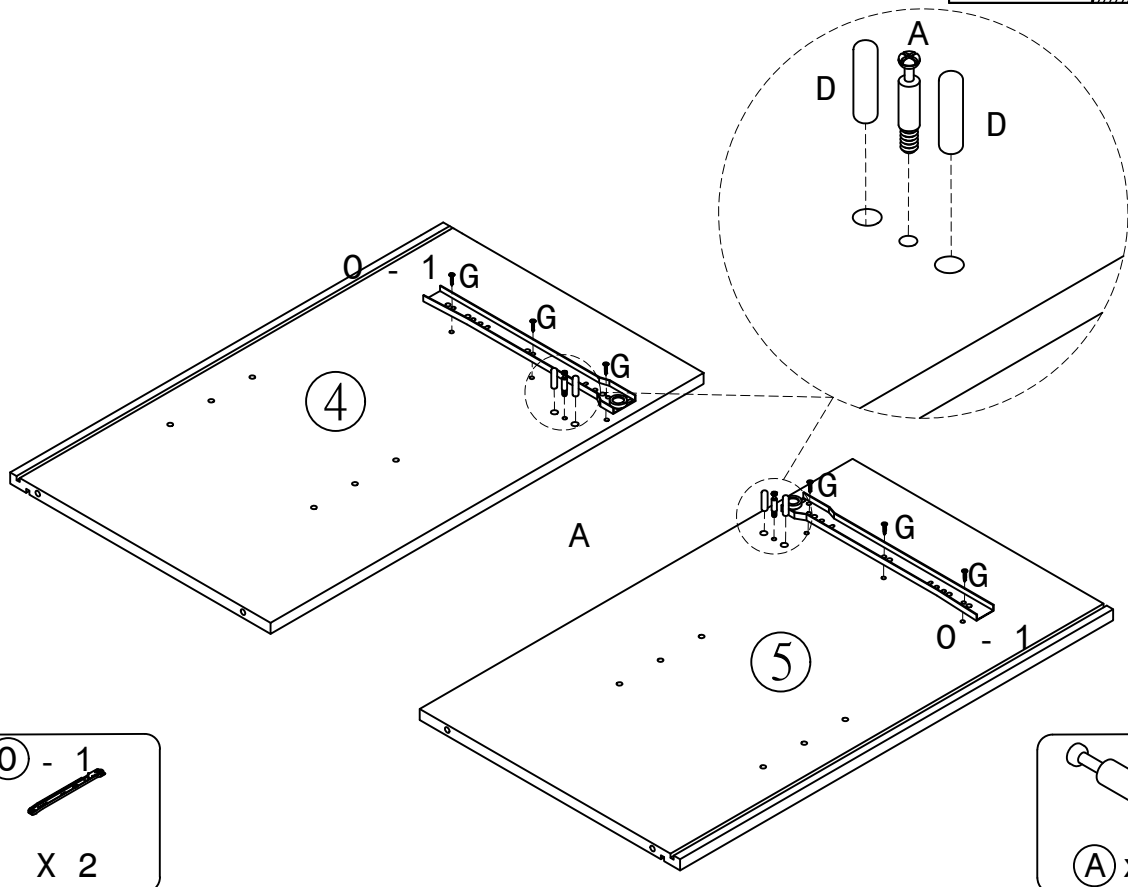
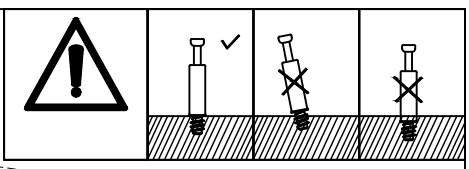
㉔ x 4

 Ⓐ x 46	 Ø15*10mm Ⓑ x 22	 Ø15*7mm Ⓒ x 24	 Φ8*30mm Ⓓ x 28	 Φ6*30mm Ⓔ x 48
 Φ3*15mm Ⓕ x 48	 Φ3*15mm Ⓖ x 102	 Φ8*30mm Ⓗ x 24	 1/4"*50mm Ⓘ x 4	 1/4"*16mm Ⓙ x 4
 1/4" Ⓚ x 4	 4mm*75 Ⓛ x 1	 Ⓜ x 4	 Ⓝ x 20	 12" Ⓞ x 6 set
 Ⓟ x 8	 Φ30*25mm Ⓠ x 6	 Ⓡ x 4	 Φ5/32*25mm Ⓢ x 20	 Ⓣ x 30
 Ø6.2*7mm Ⓤ x 8				

# X 6



# Step 1



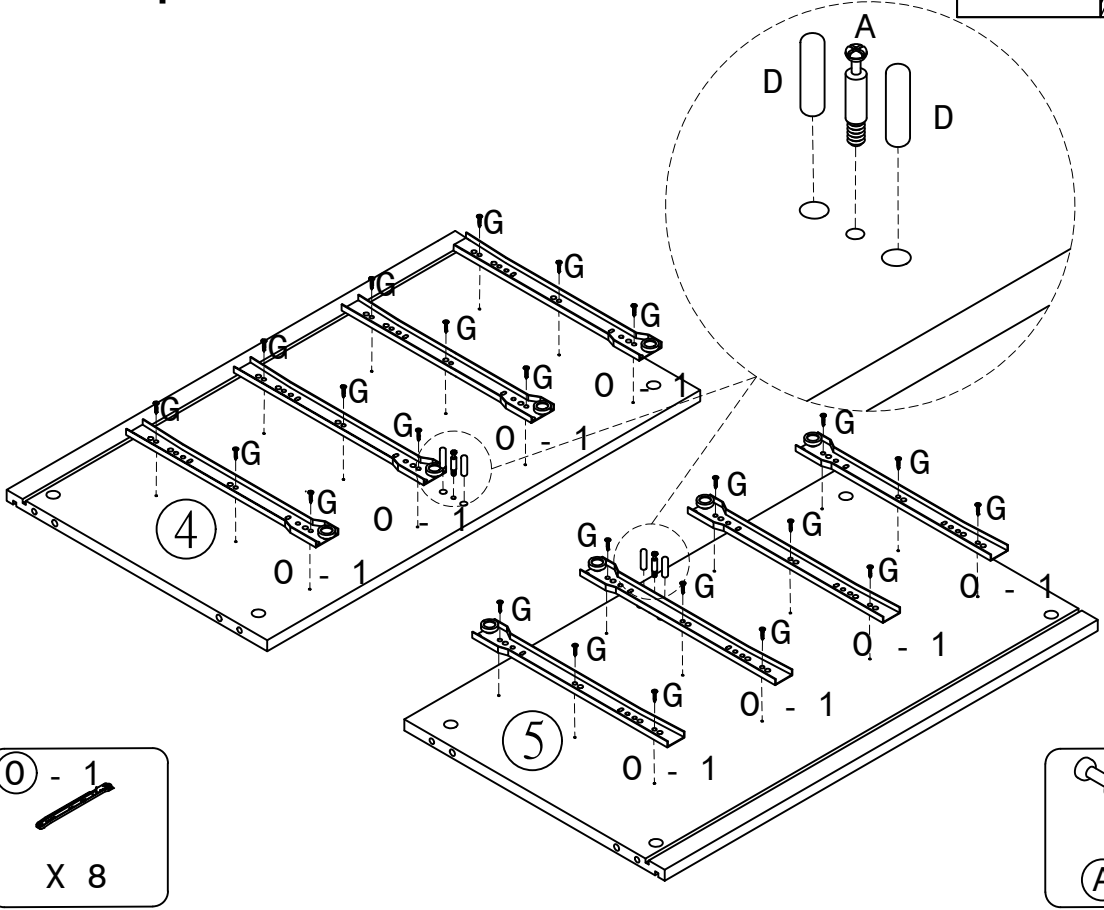
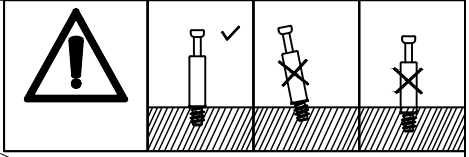
⓪ - 1  
X 2

Ⓐ x 2

Φ8\*30mm  
ⓓ x 4

Φ3\*15mm  
ⓖ x 6

# Step 2



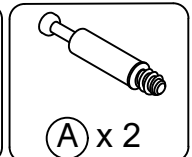
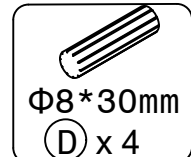
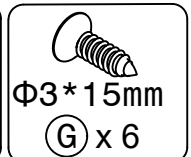
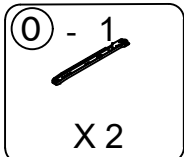
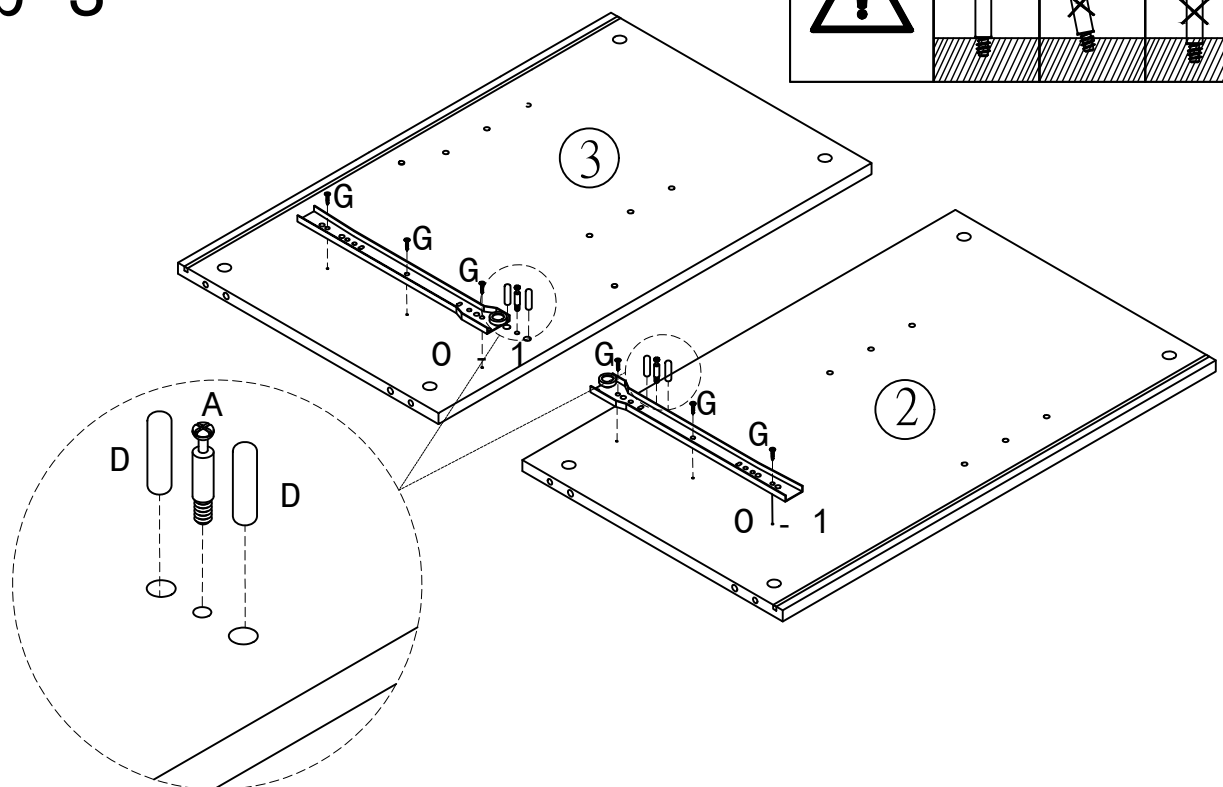
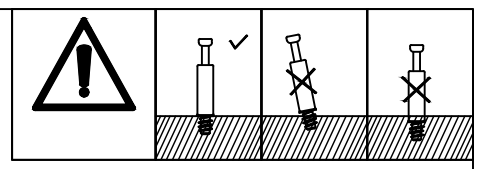
⓪ - 1  
X 8

Ⓐ x 2

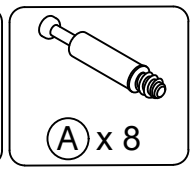
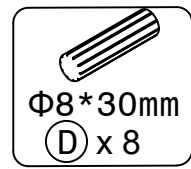
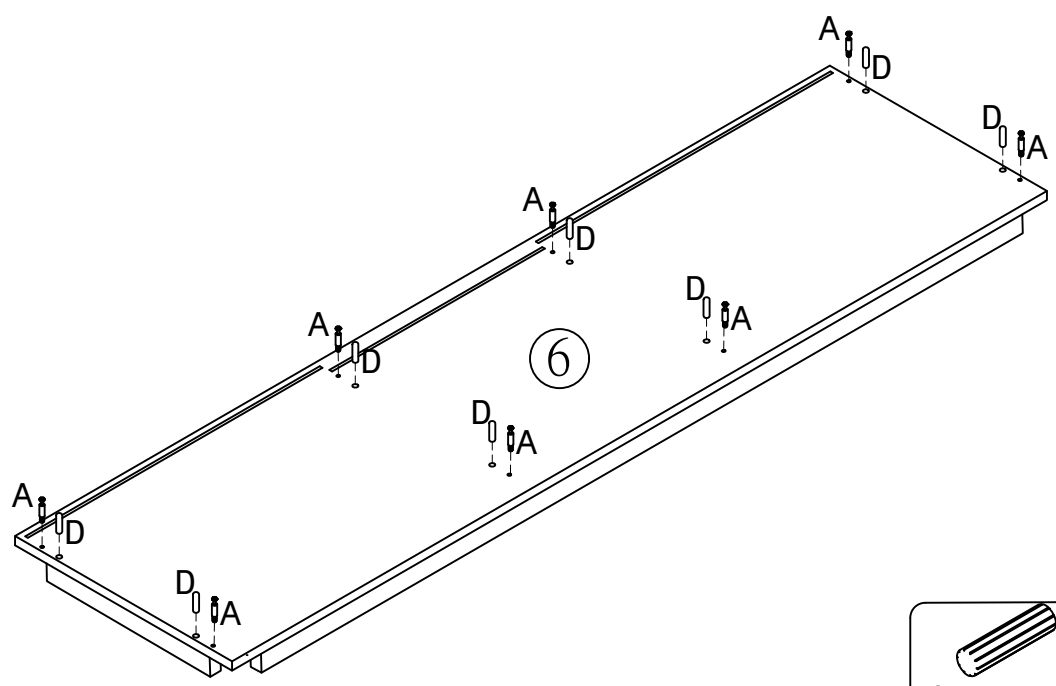
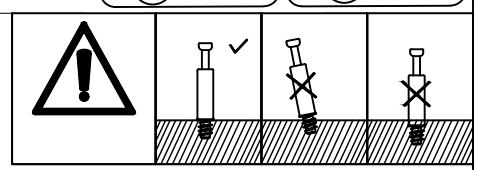
Φ8\*30mm  
ⓓ x 4

Φ3\*15mm  
ⓖ x 24

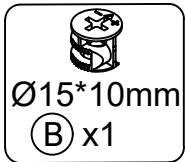
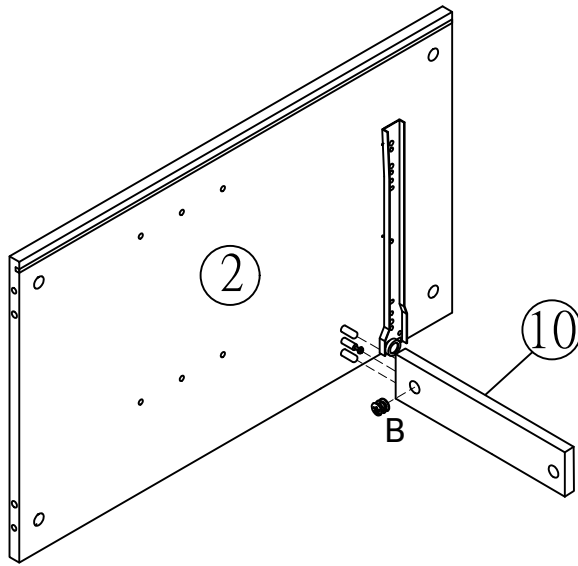
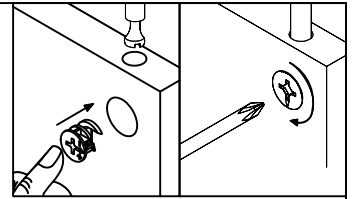
# Step 3



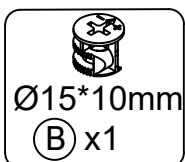
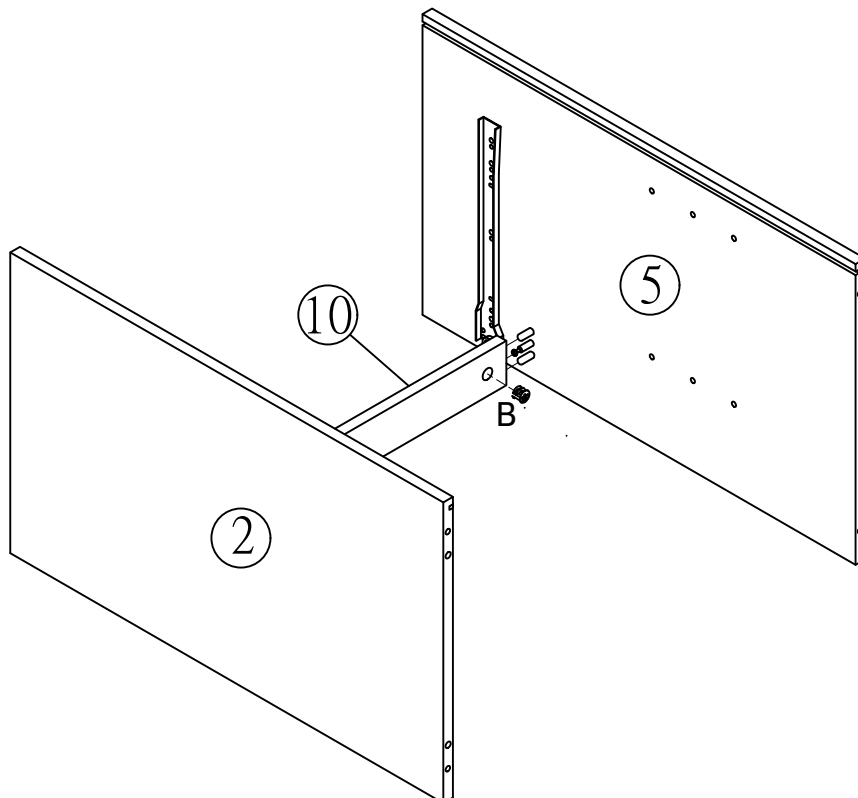
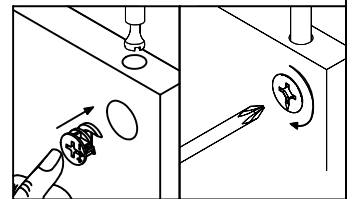
# Step 4



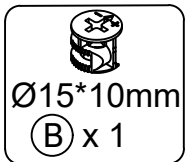
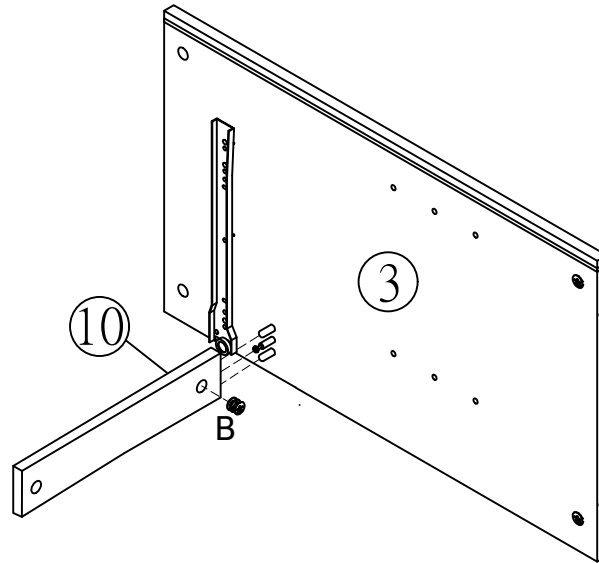
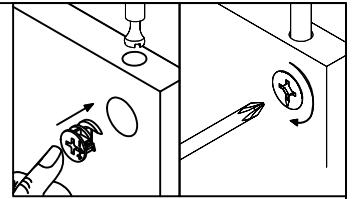
# Step 5



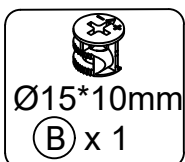
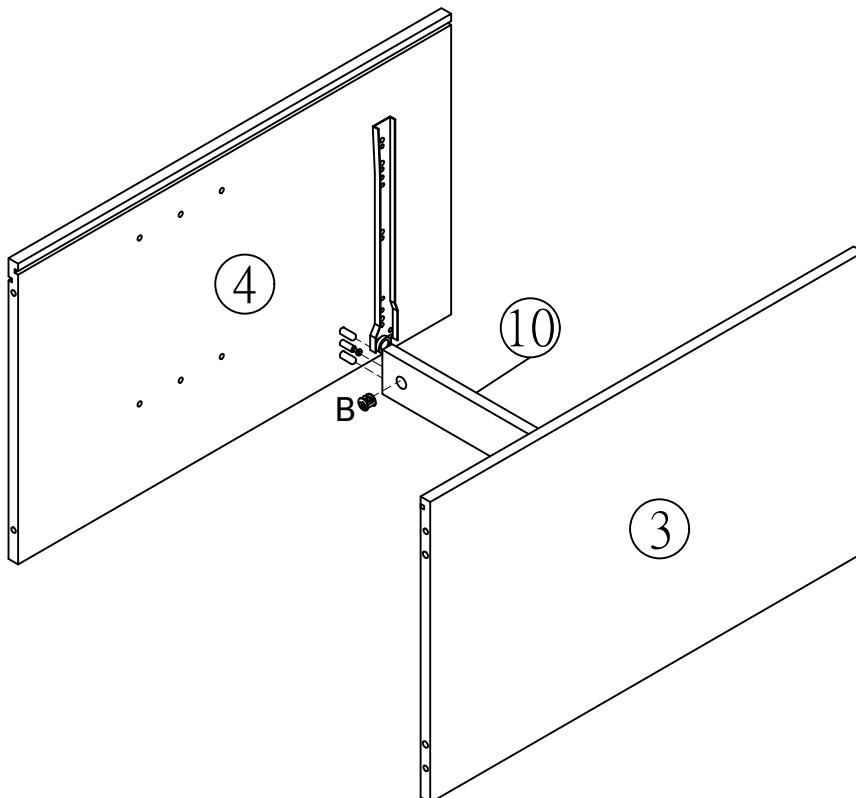
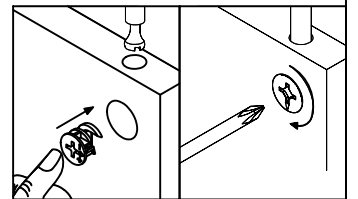
# Step 6



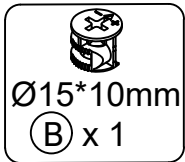
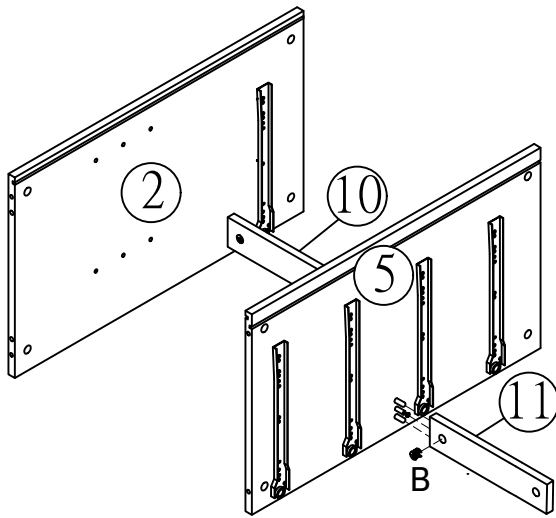
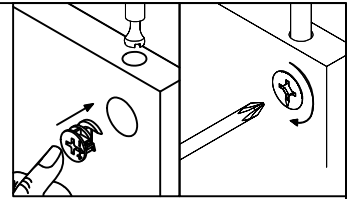
# Step 7



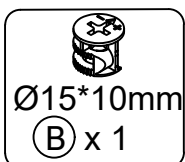
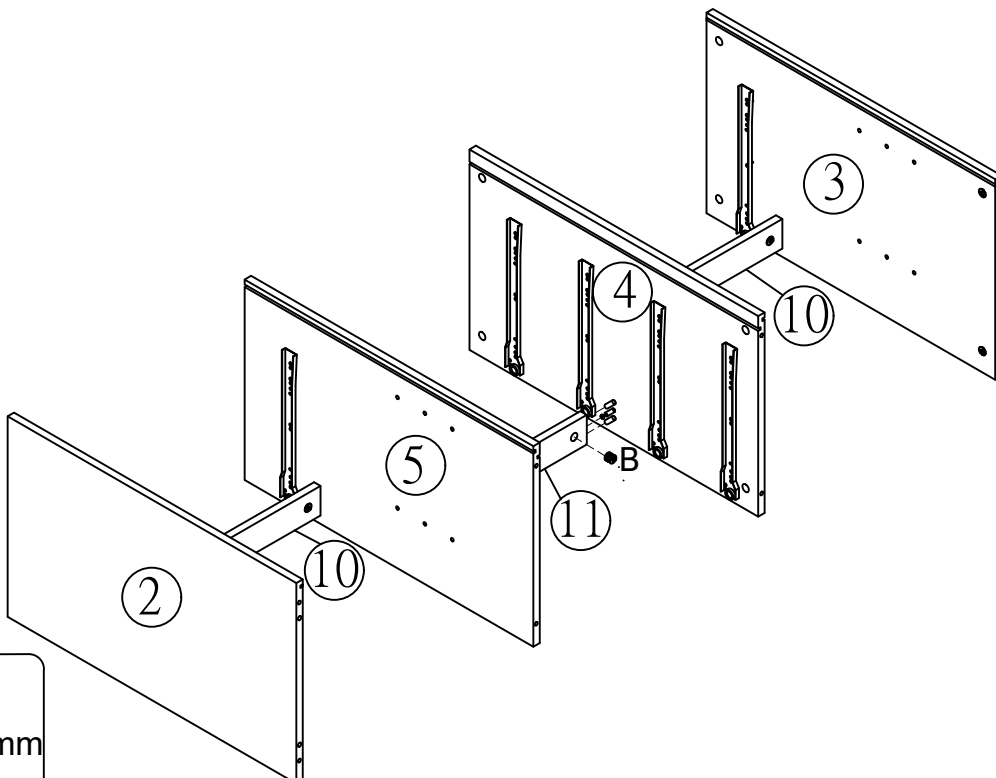
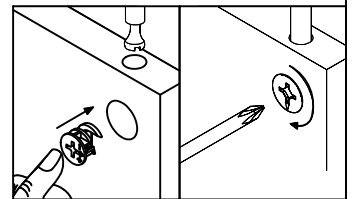
# Step 8



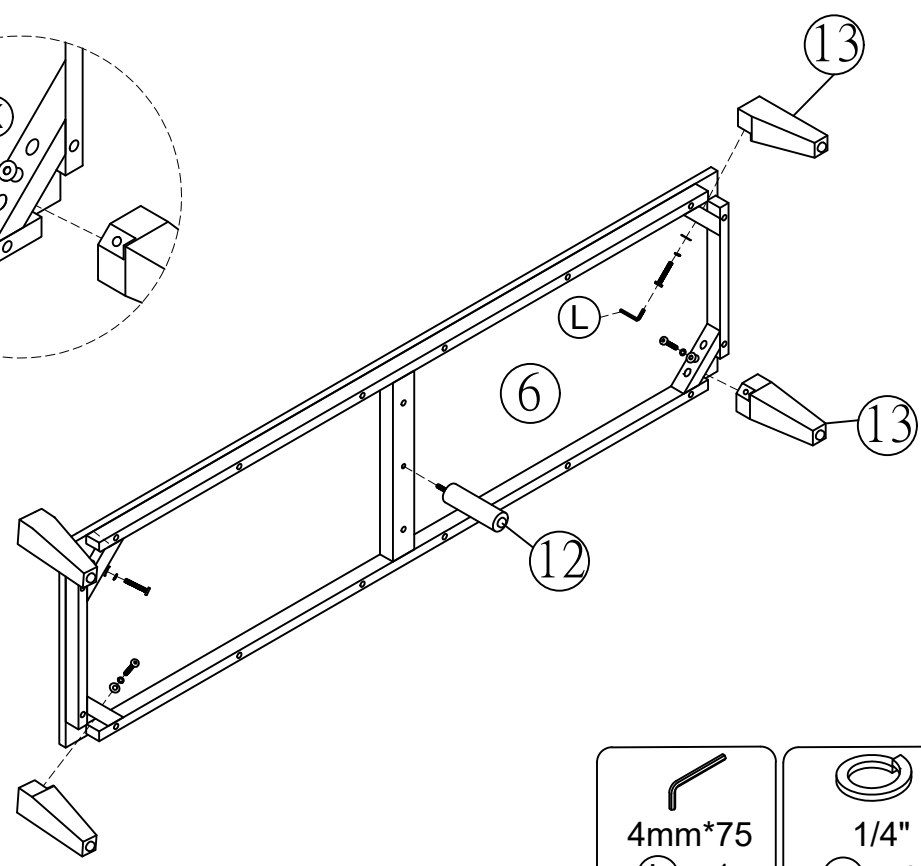
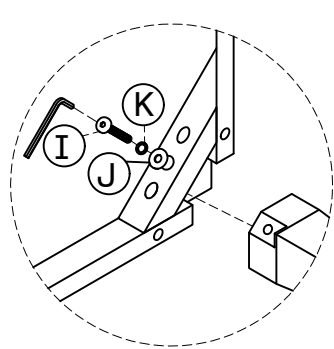
# Step 9


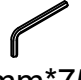




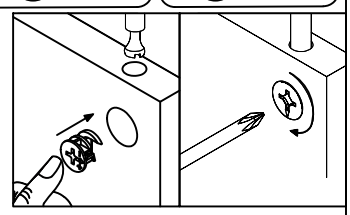
# Step 10



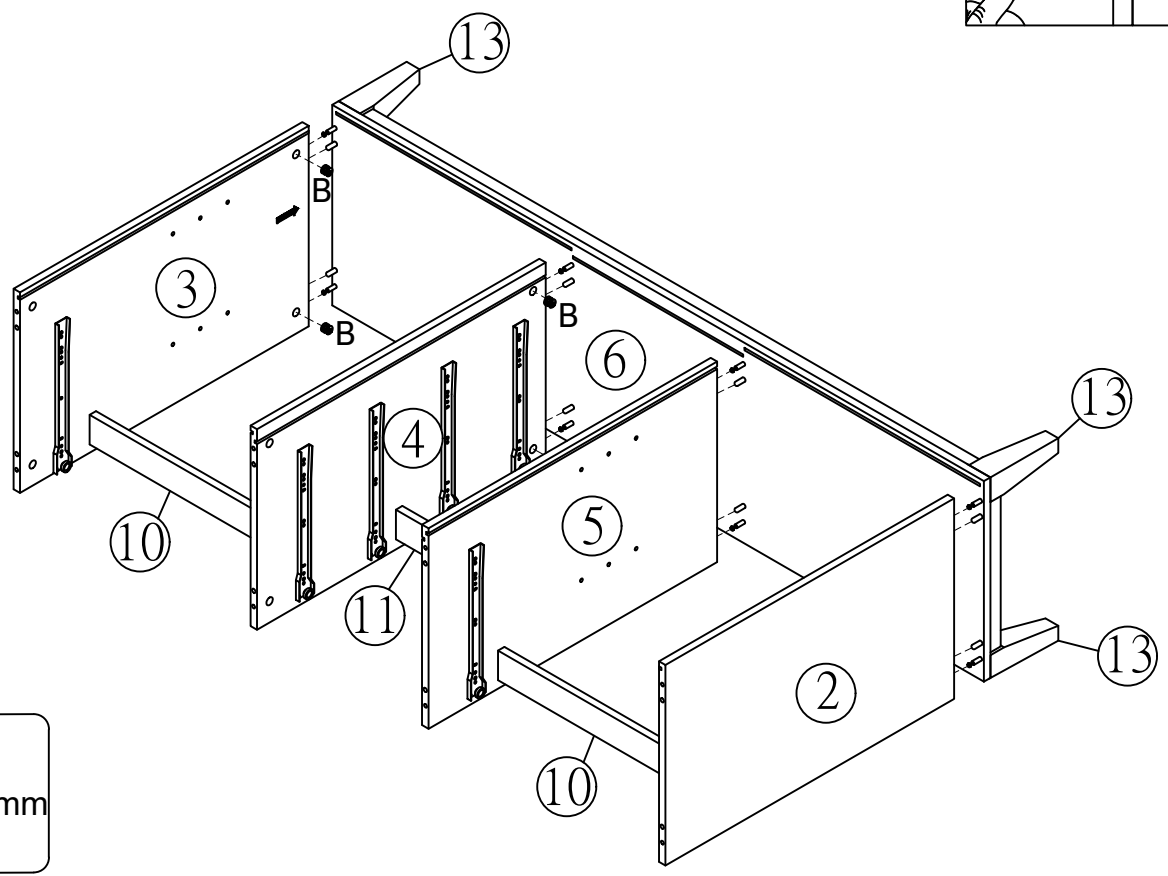
# Step 11




-   
 1/4"\*50mm  
**I** x 4
-   
 4mm\*75  
**L** x 1
-   
 1/4"  
**K** x 4
-   
 1/4"\*16mm  
**J** x 4

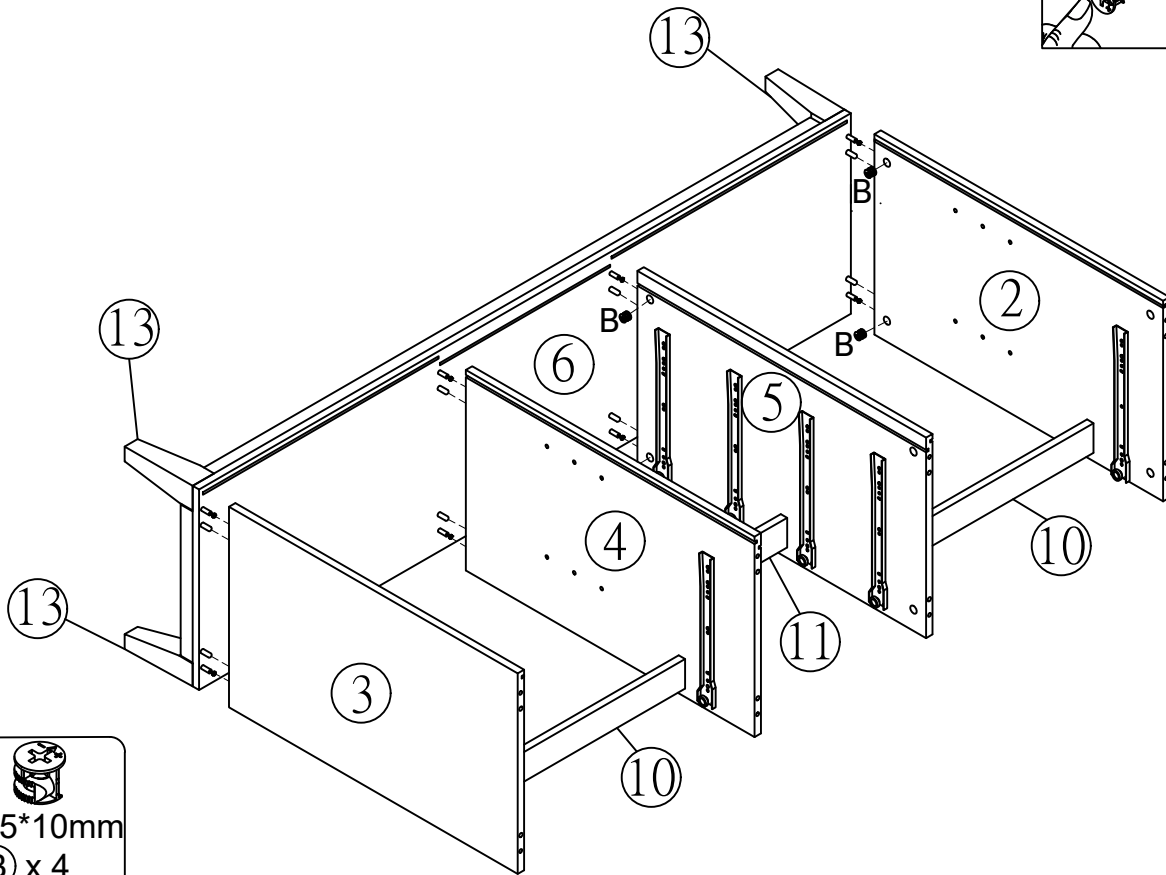
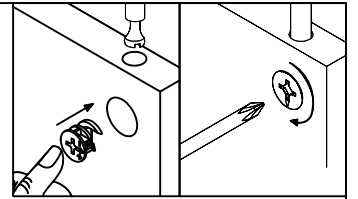


# Step 12

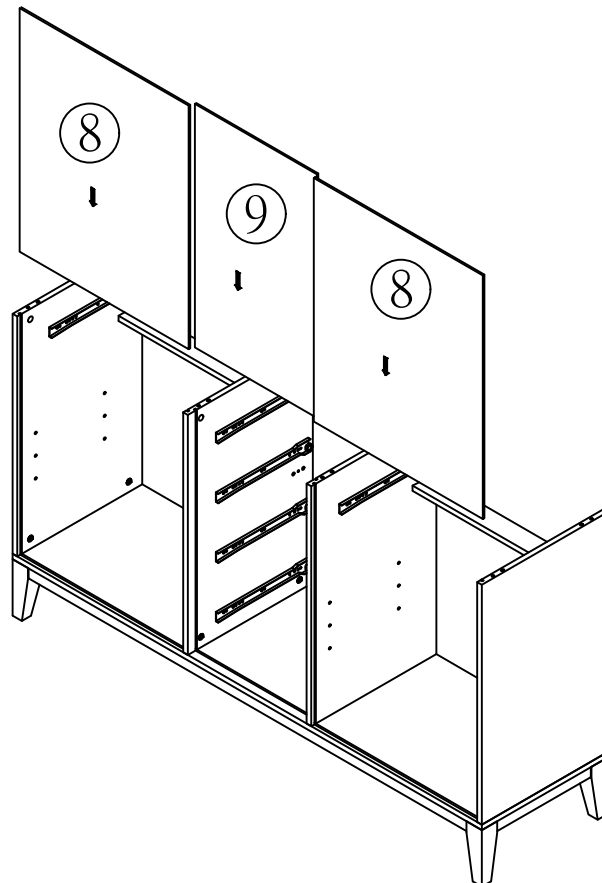
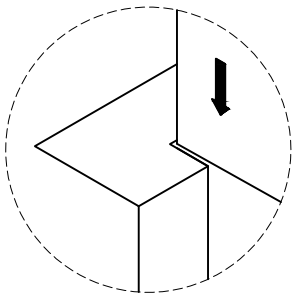


-   
 Ø15\*10mm  
**B** x 4

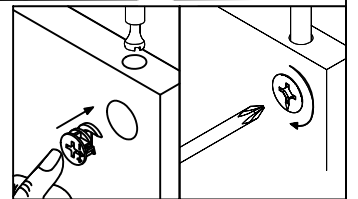
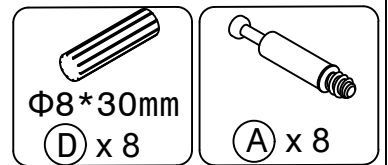
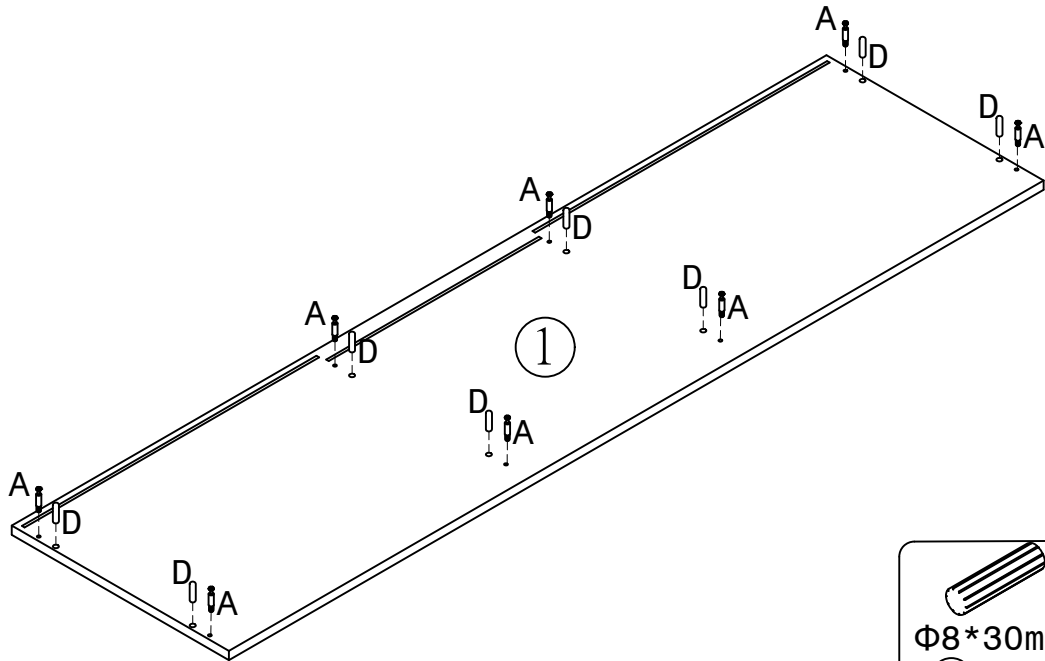
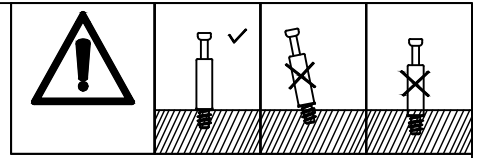
# Step 13



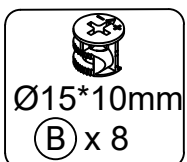
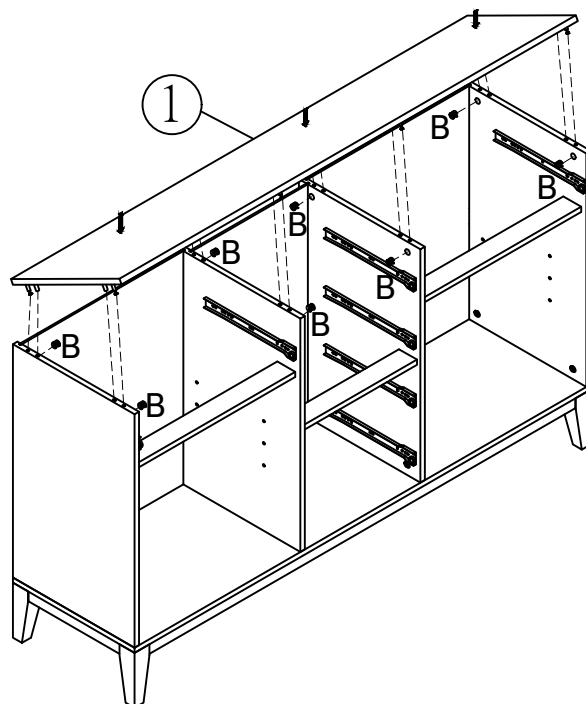
# Step 14



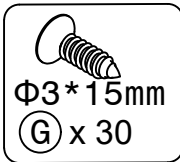
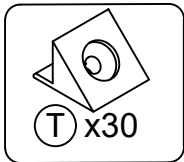
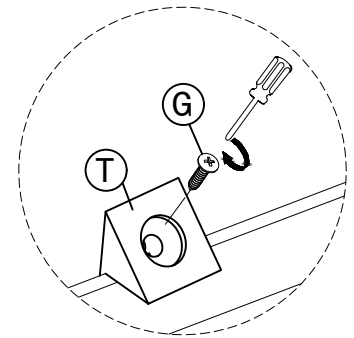
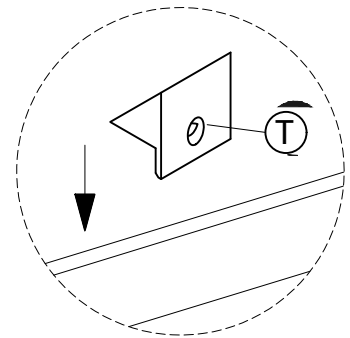
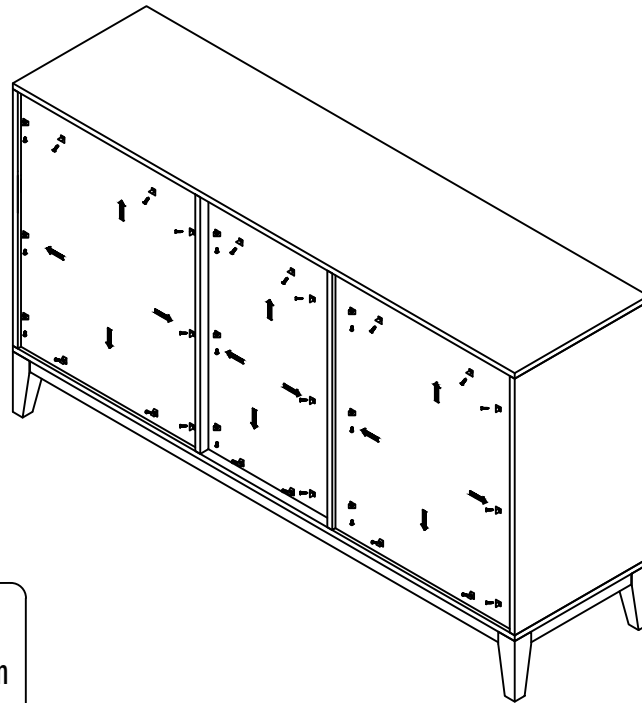
# Step 15



# Step 16

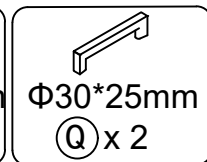
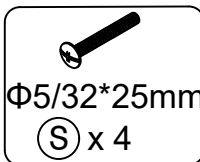
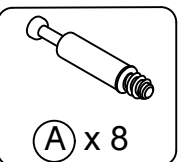
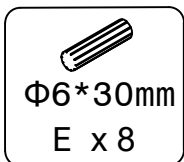
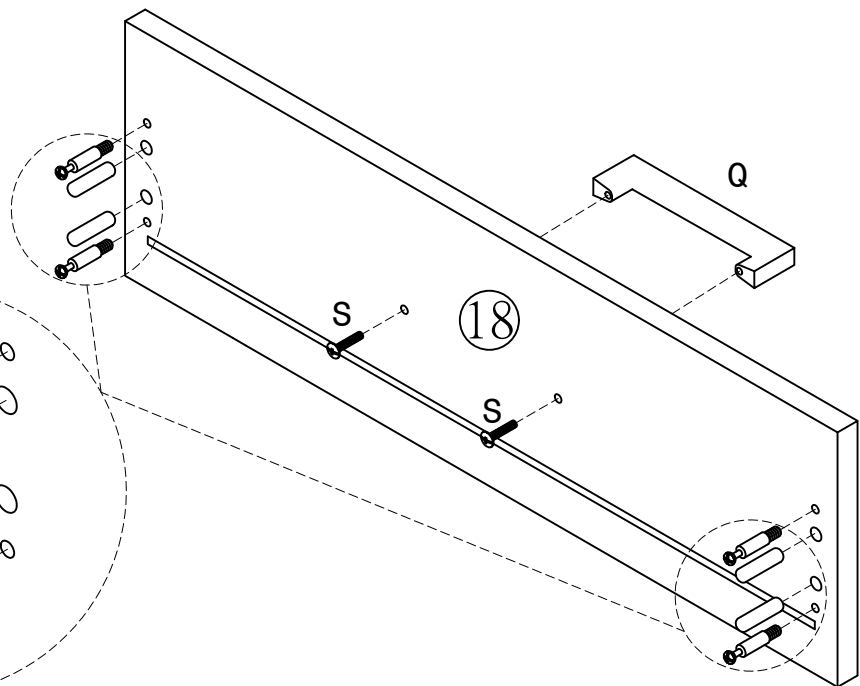
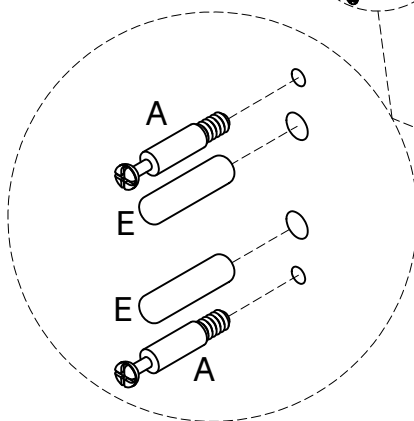
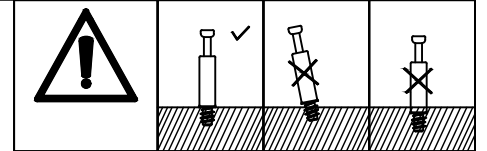


# Step 17



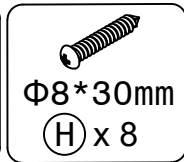
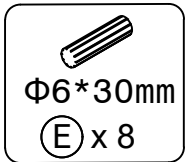
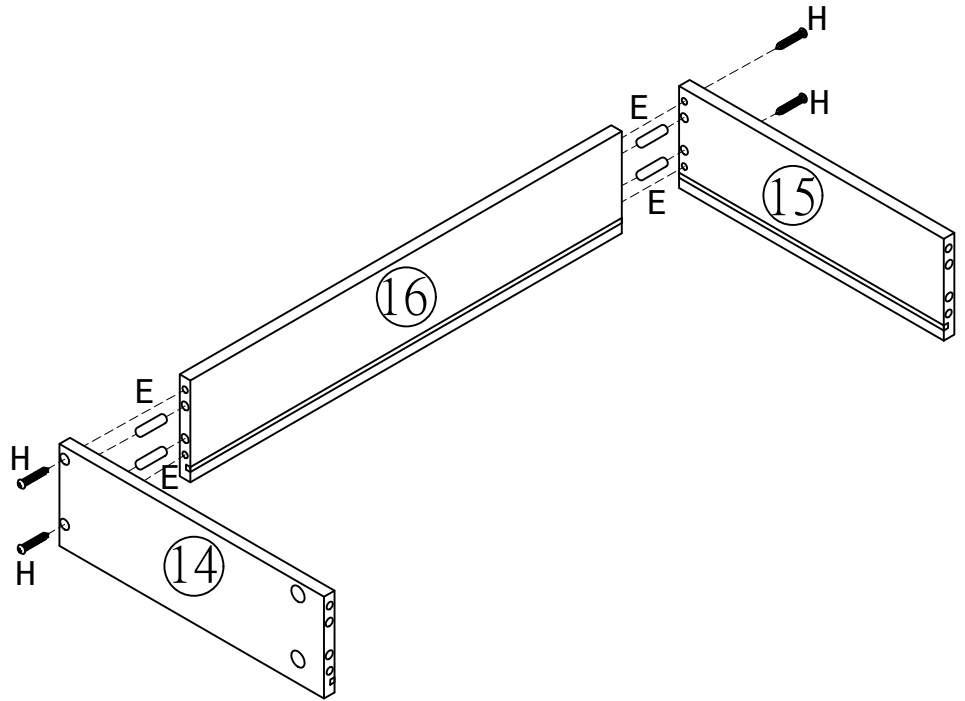
# Step 18

X 2



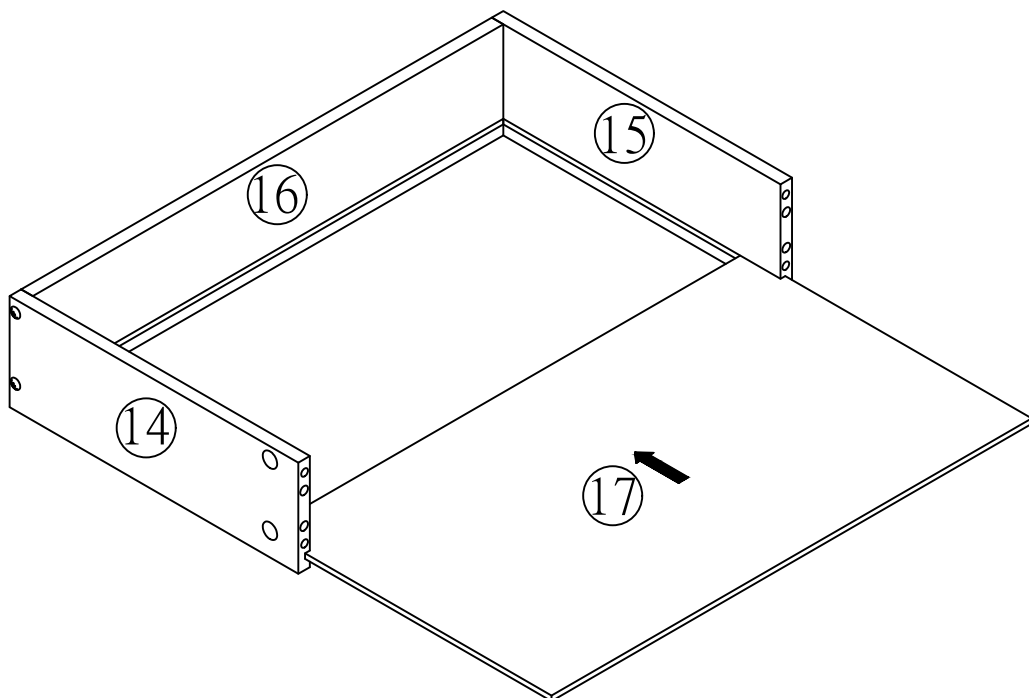
# Step 19

# X 2



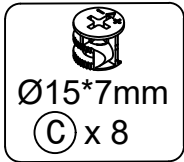
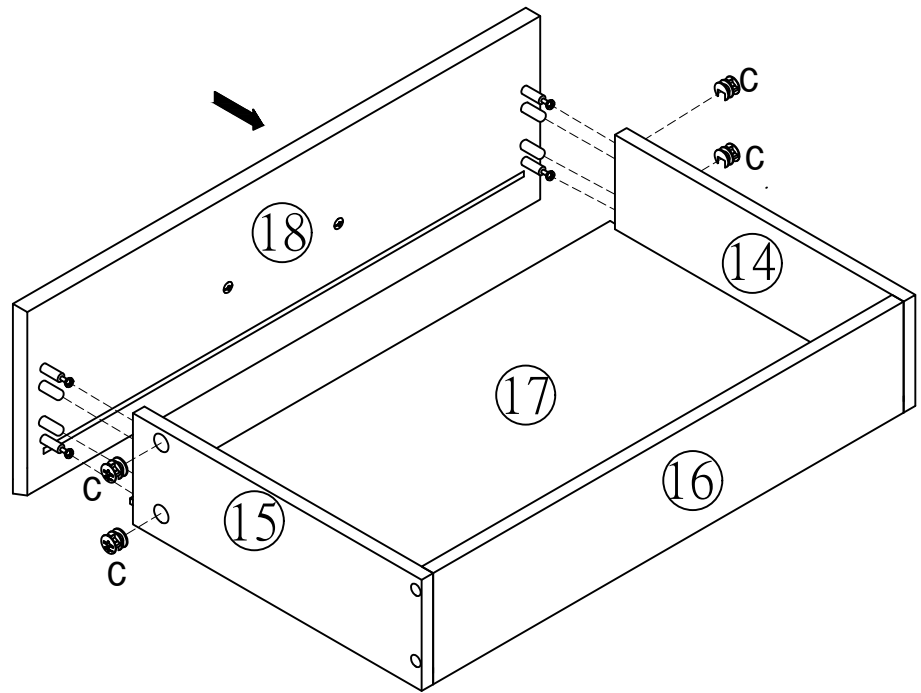
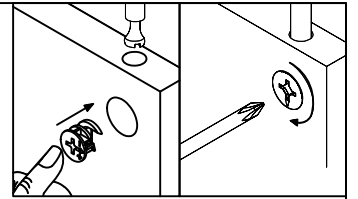
# Step 20

# X 2



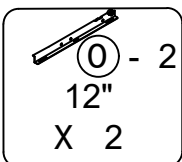
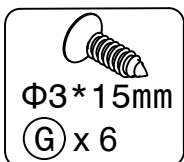
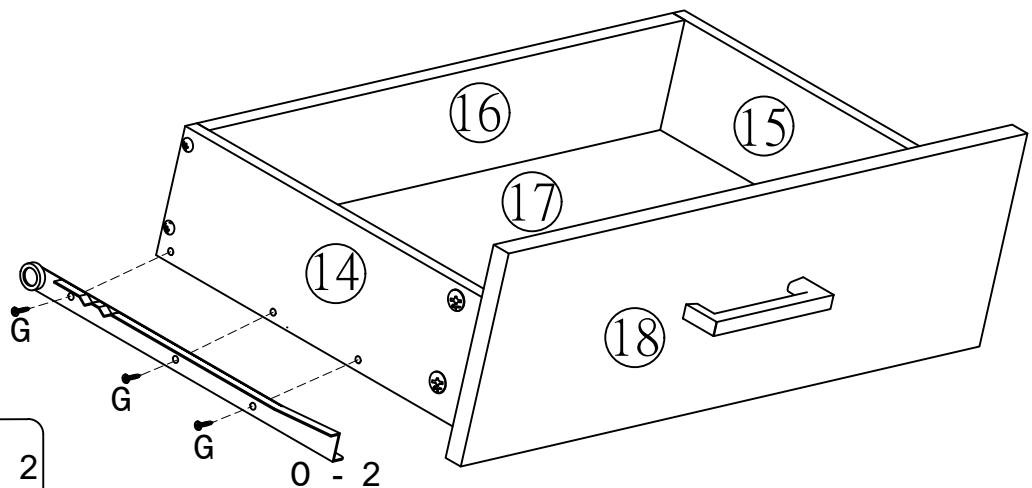
# Step 21

# X 2



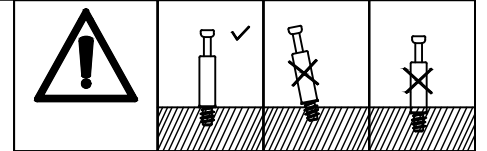
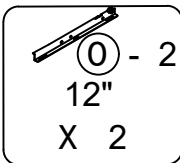
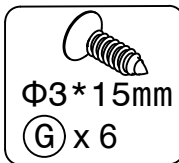
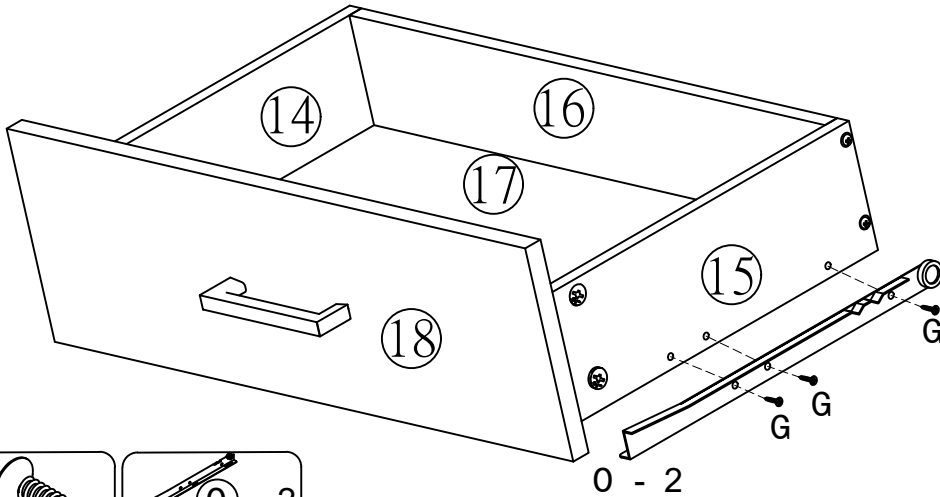
# Step 22

# X 2



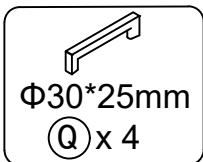
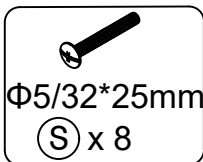
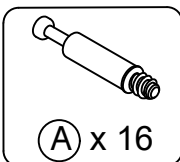
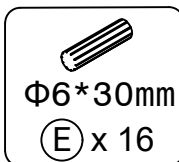
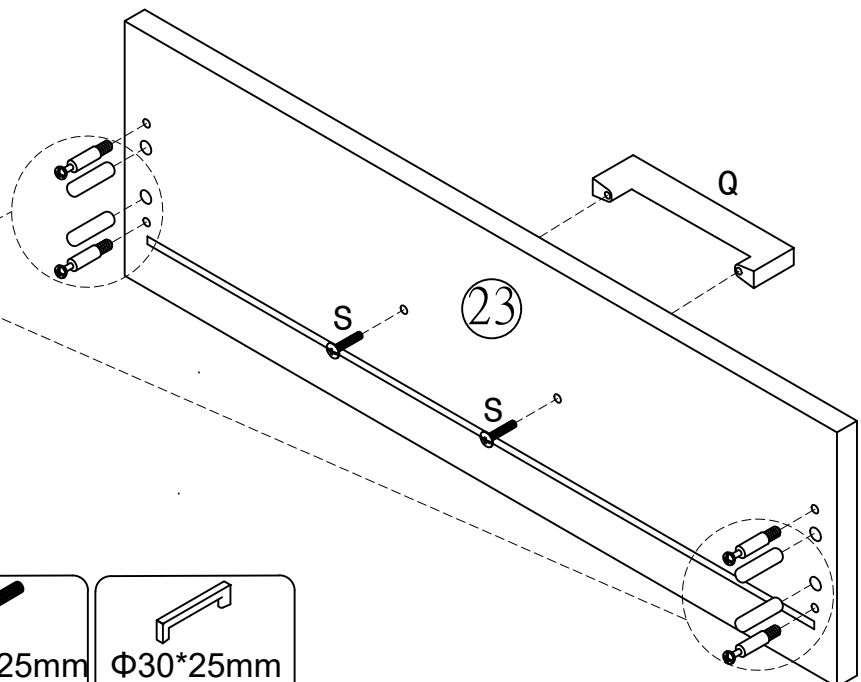
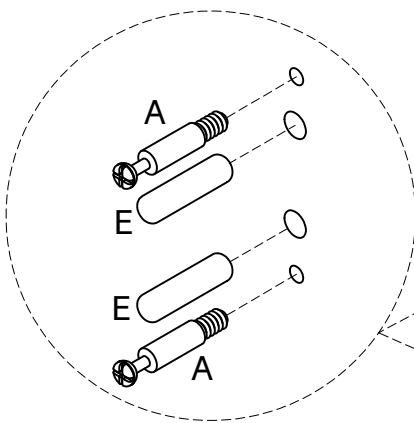
# Step 23

# X 2



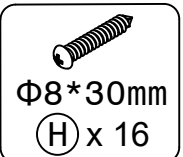
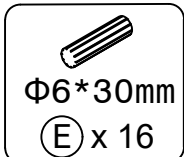
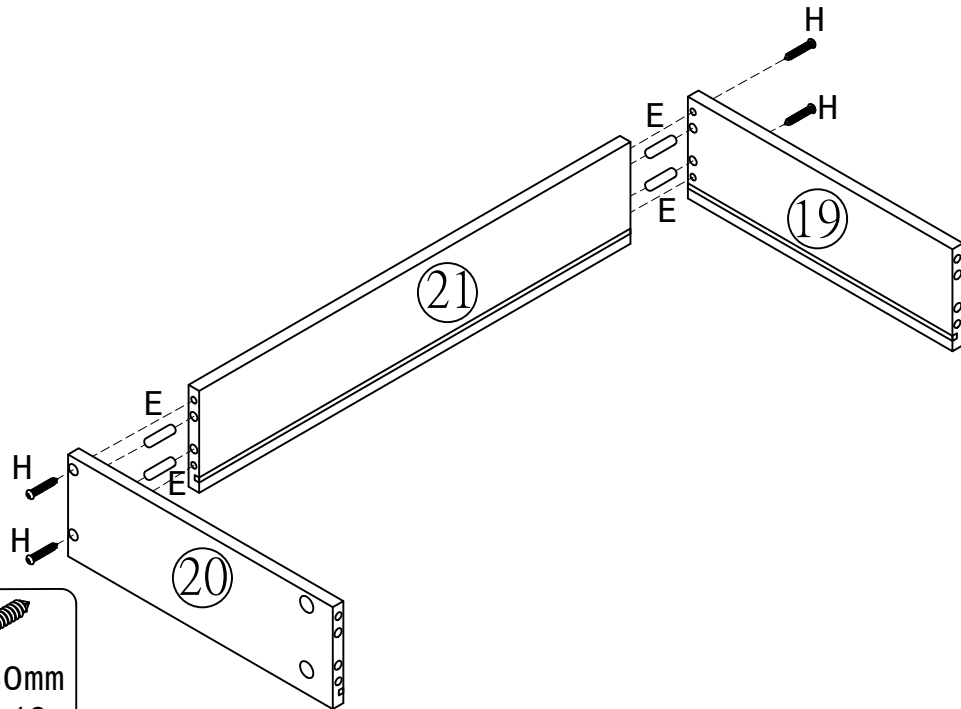
# Step 24

# X 4



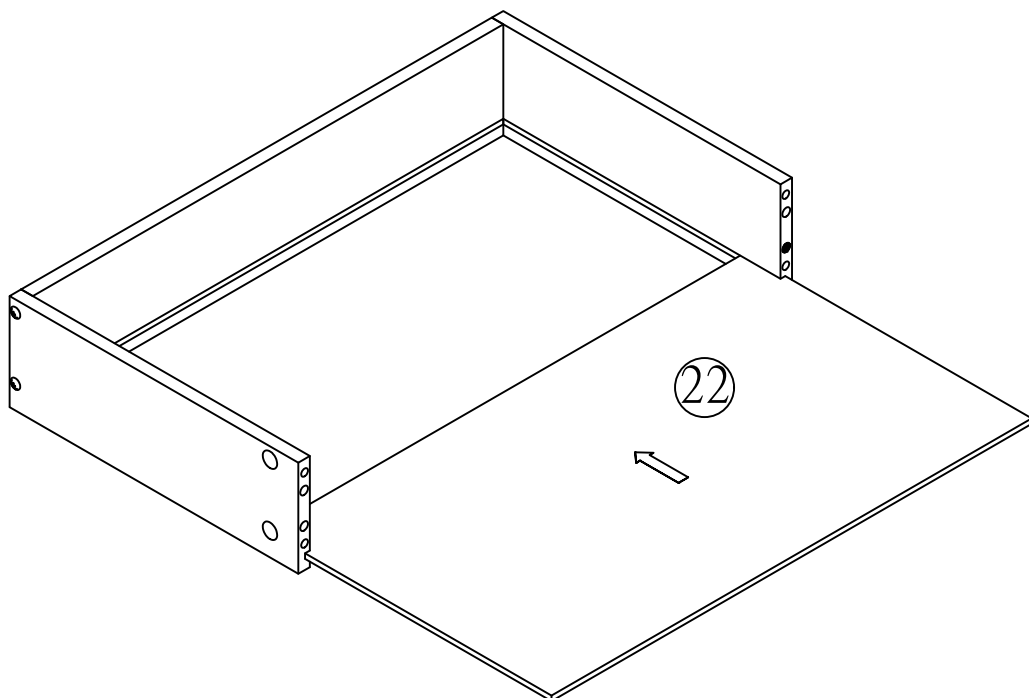
# Step 25

# X 4



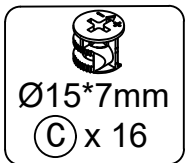
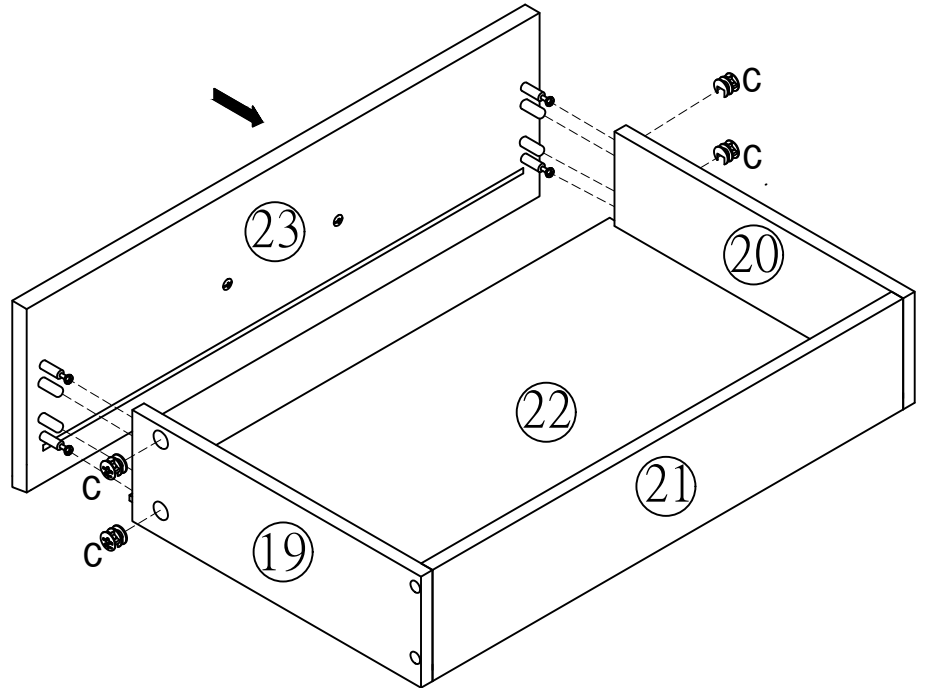
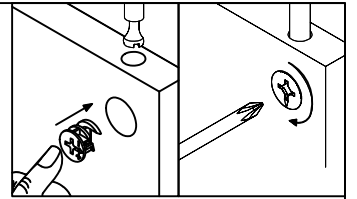
# Step 26

# X 4



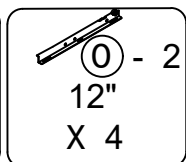
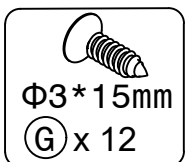
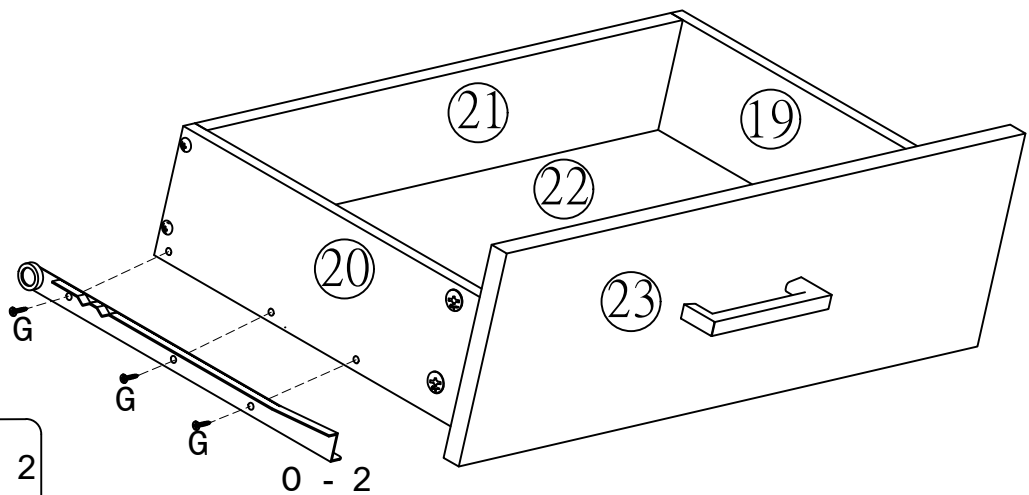
Step 27

X 4



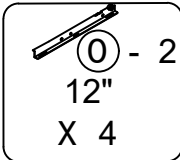
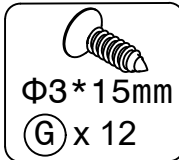
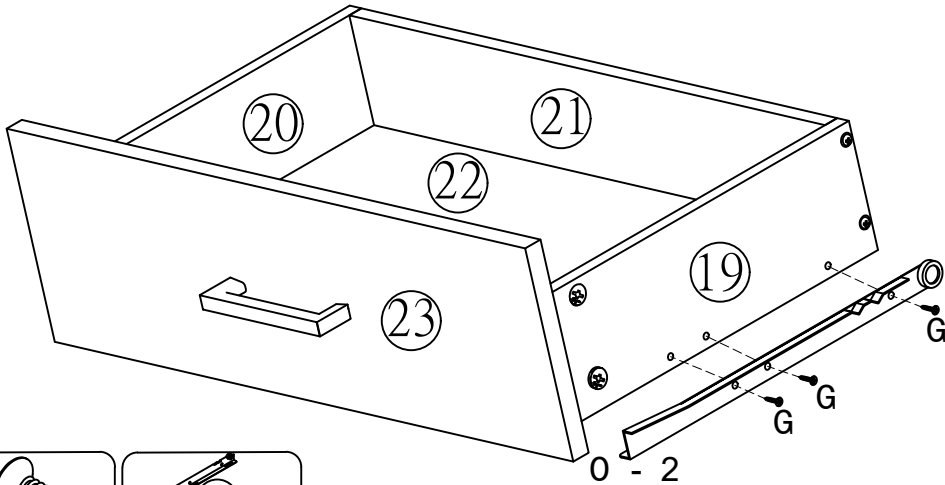
Step 28

X 4

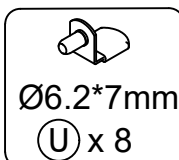
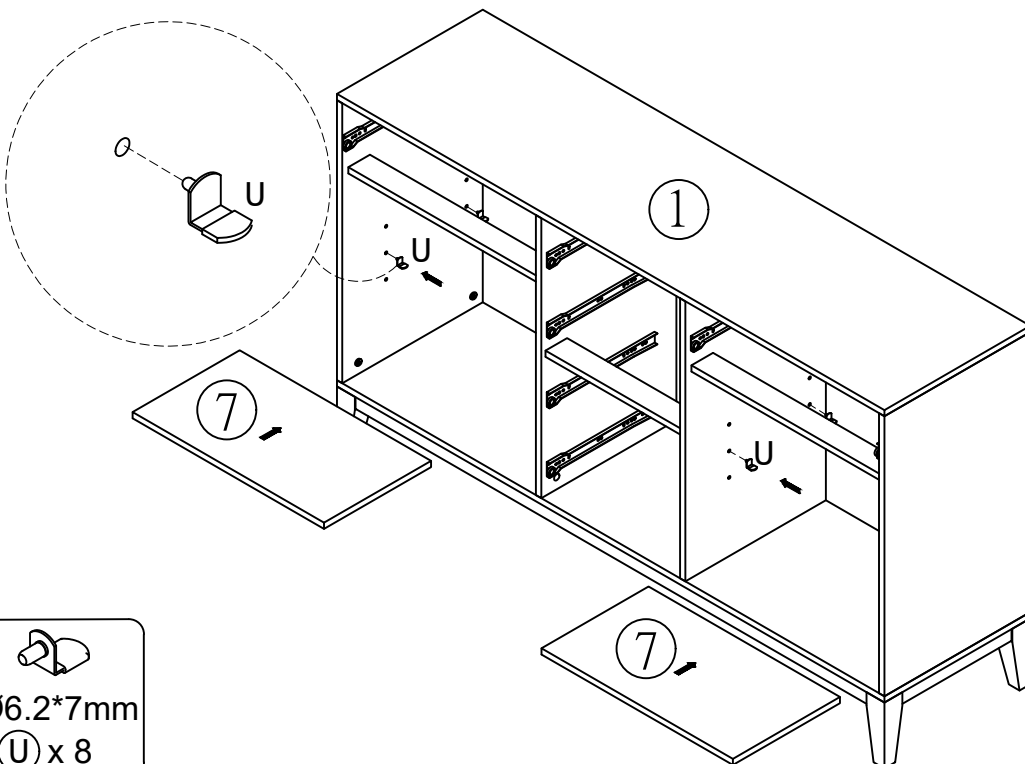


# Step 29

# X 4

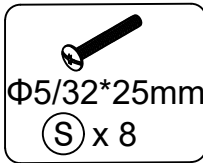
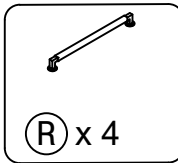
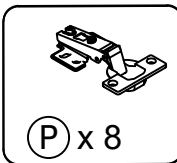
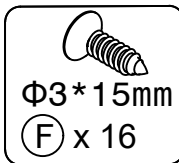
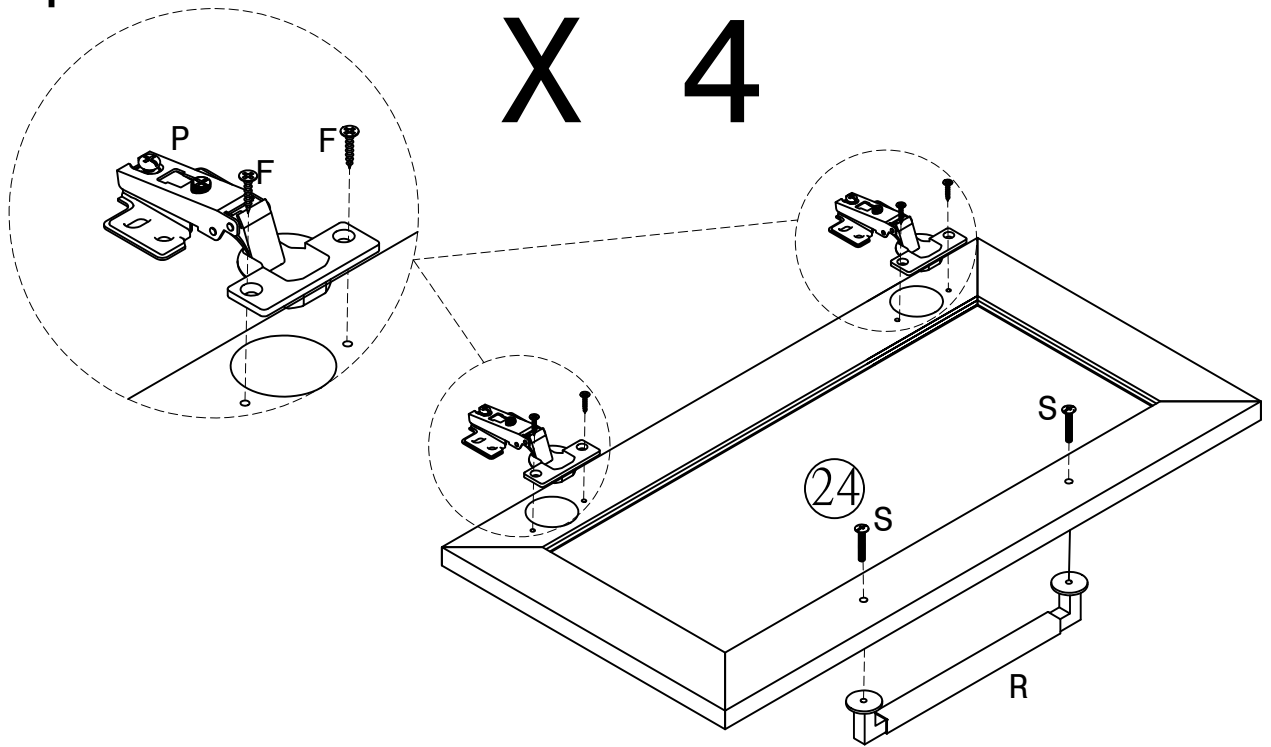


# Step 30

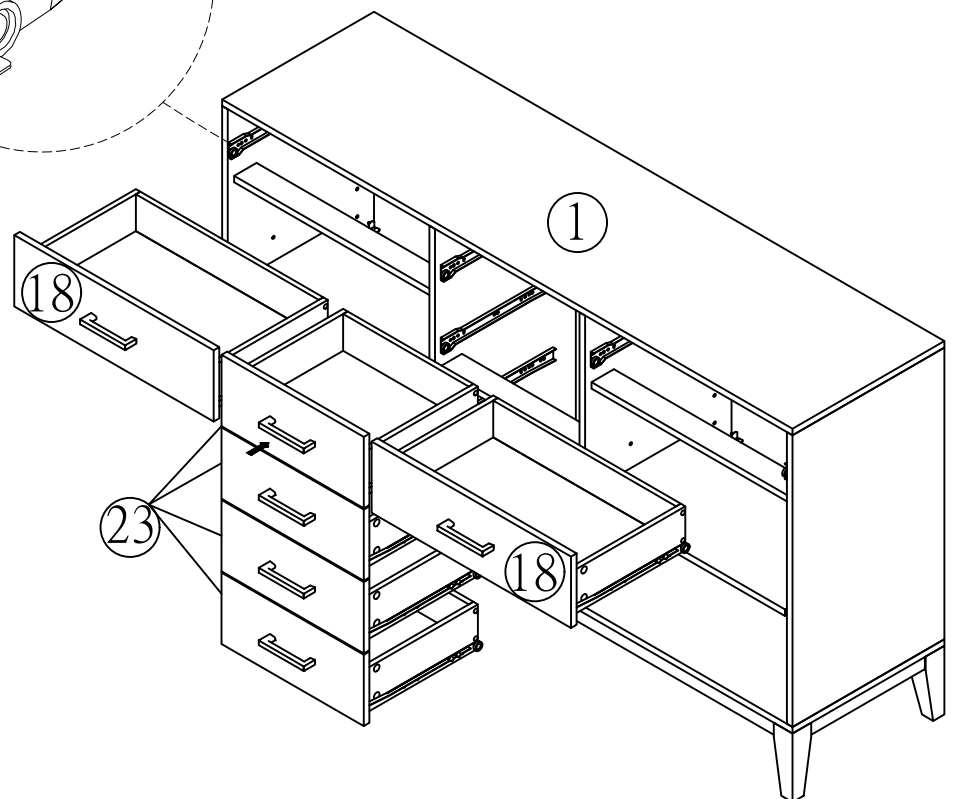
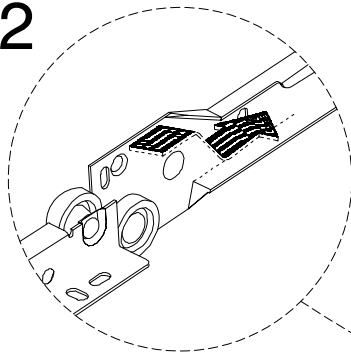


# Step 31

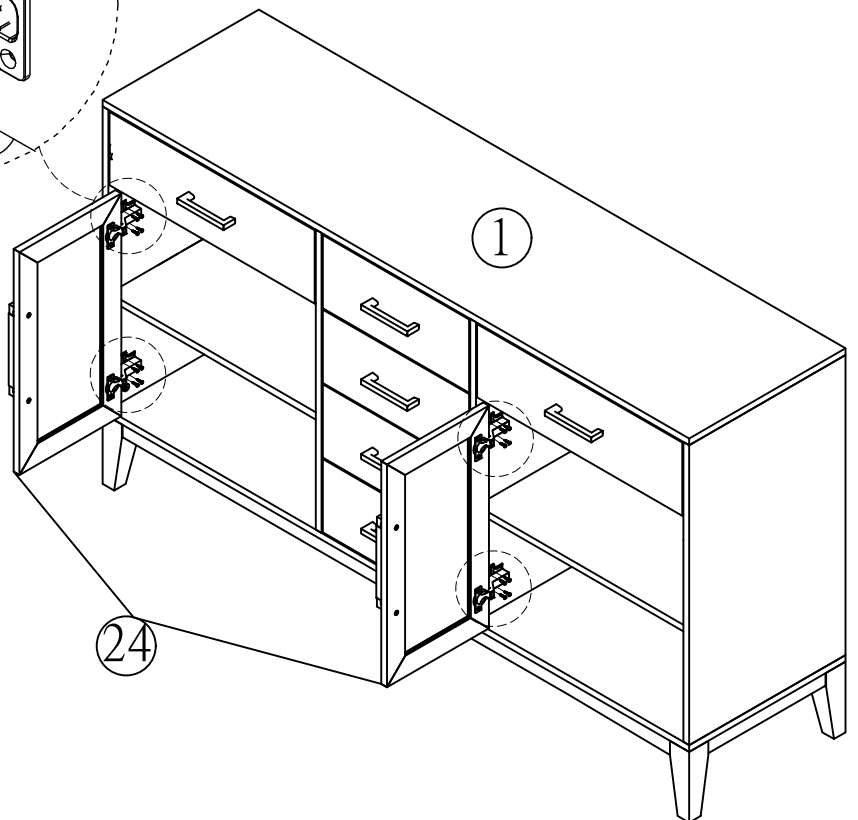
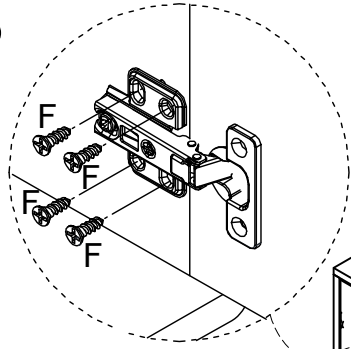
# X 4

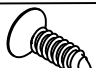


# Step 32

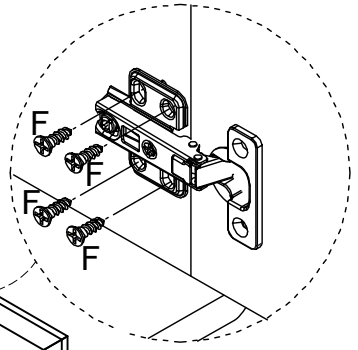
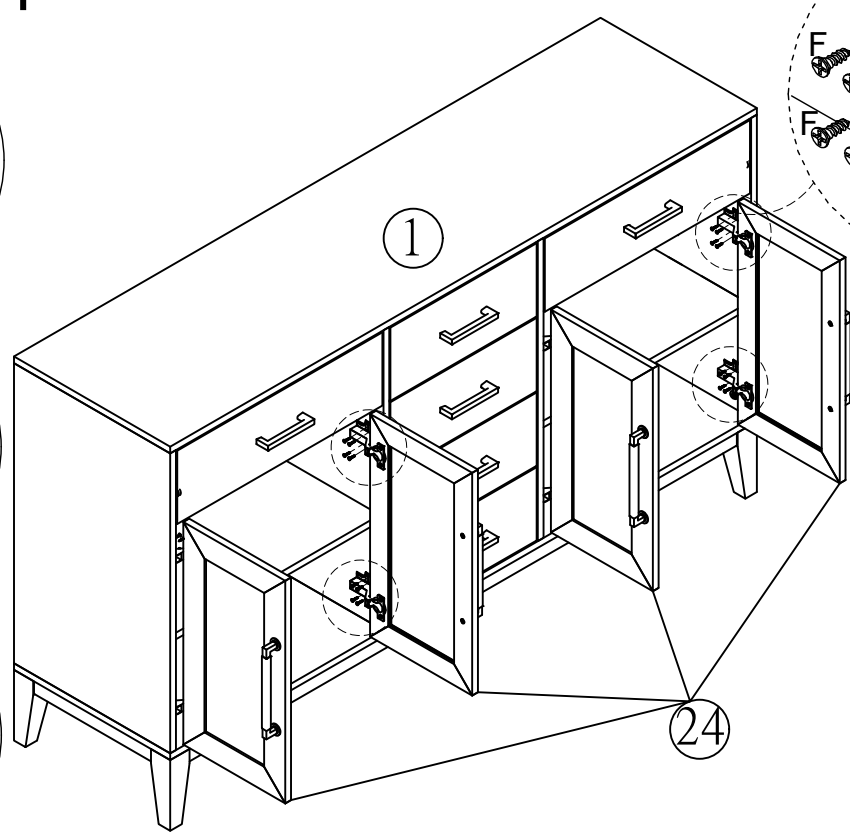
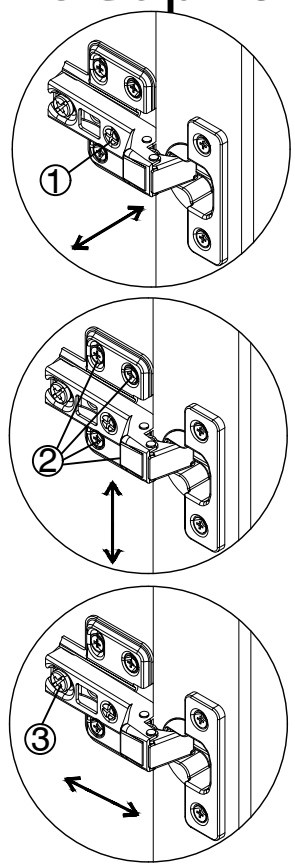


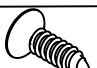
# Step 33



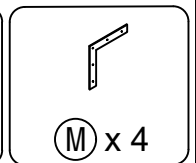
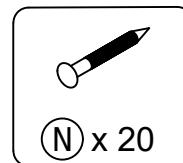
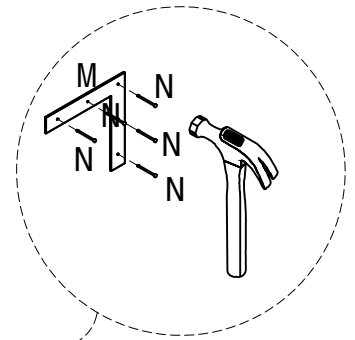
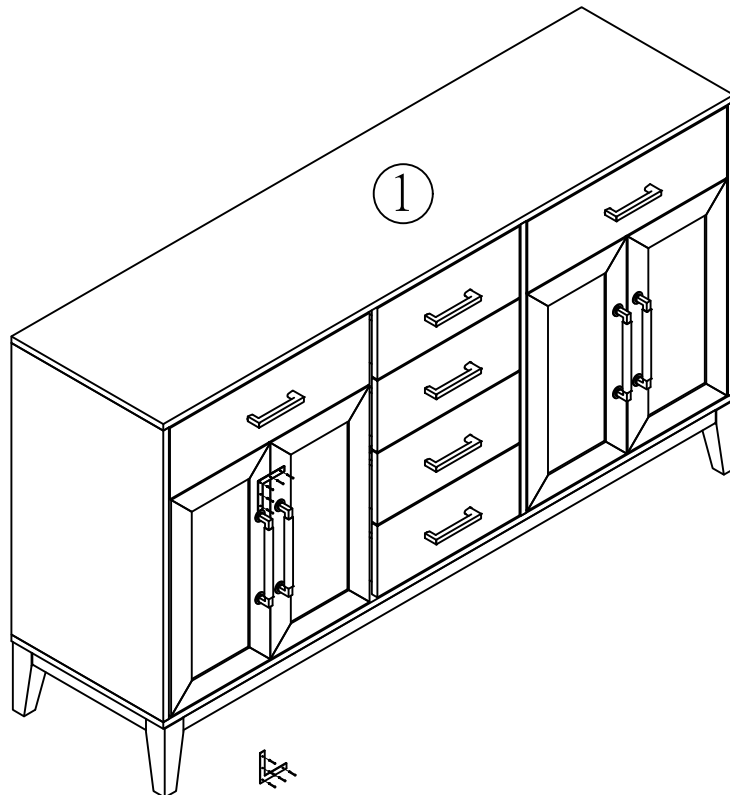
  
Φ3\*15mm  
ⓕ x 16

# Step 34



  
Φ3\*15mm  
ⓕ x 16

# Step 35



# Step 36

