

AFTERSALE SERVICE

Dear customer,

Thank you so much for purchasing the product from us, we really appreciate your support.

We are aimed to provide the best shopping experience to our customers. We also want to build a mutually beneficial relationship with our customers, and step further to make our brand both reliable, responsible and recommendable.

We hope that our products could meet your needs and expectations, please consider us again if you need more products for your home and kitchen.

The package would be out of our control during shipping, please contact us through your purchasing channel directly if there is anything wrong with the box or contents. We are always here offering you our service.

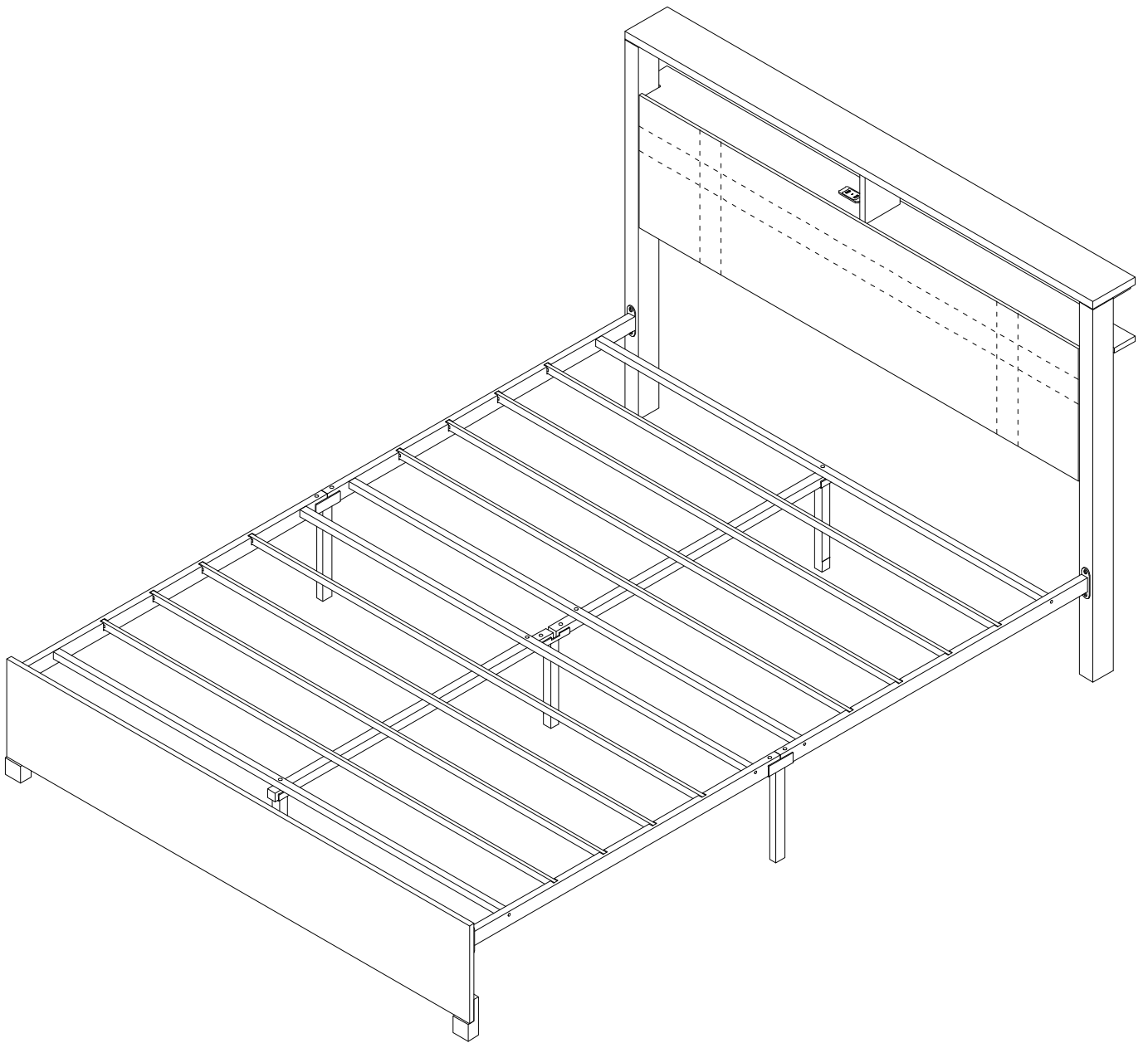
We will reply your messages within 24 hours, please kindly wait for the response from our team.

Your comfort and contentment are of utmost importance.

Best Regards,

Customer Care Specialist

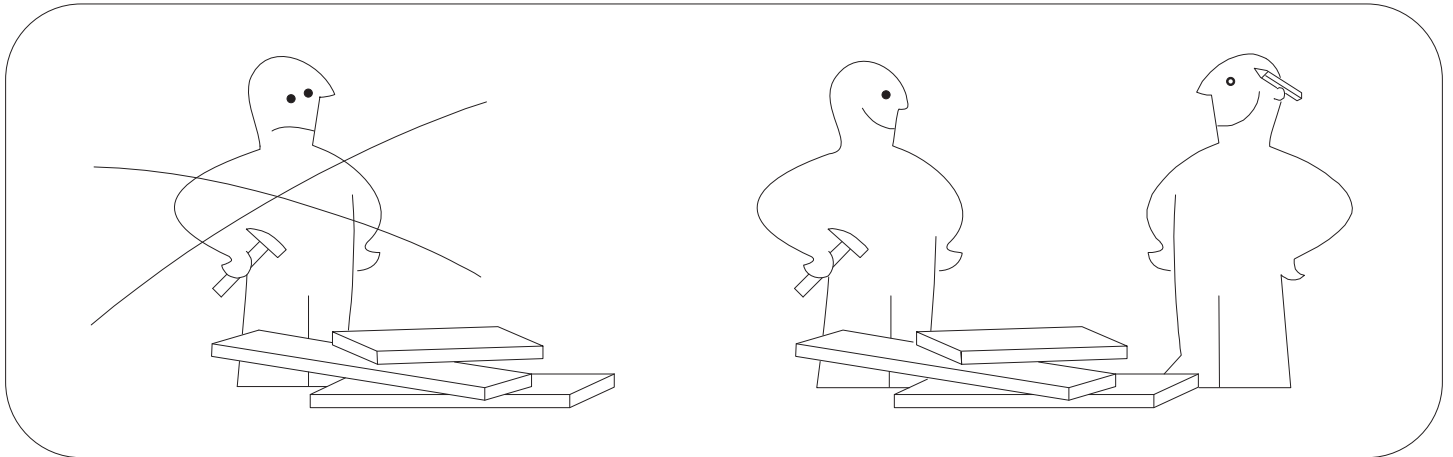
ASSEMBLY INSTRUCTIONS



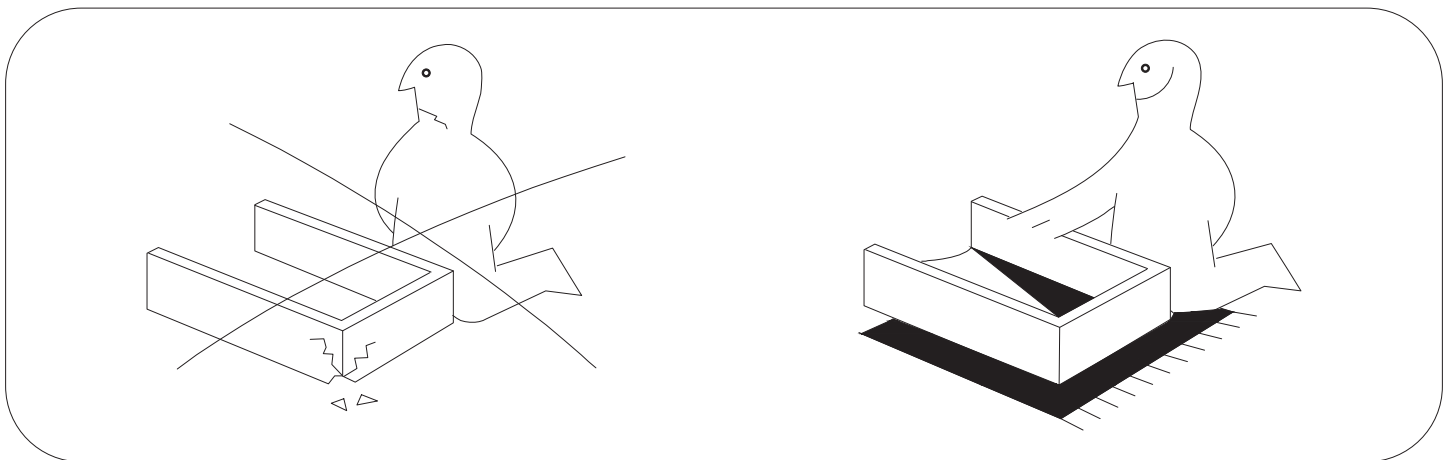


WARNING

Need Two Or More People To Complete

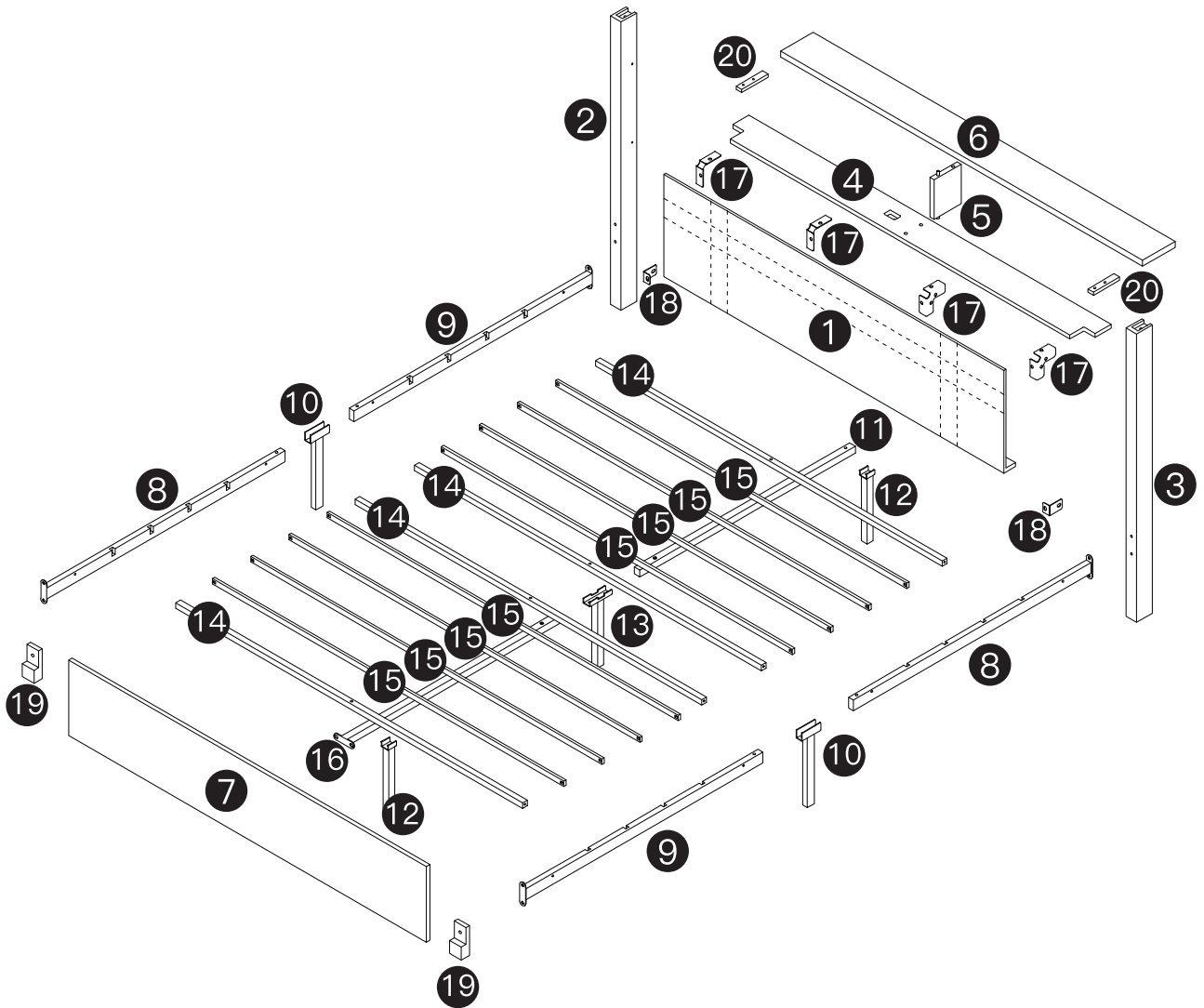


Assemble Item On a Clean Flat Surface



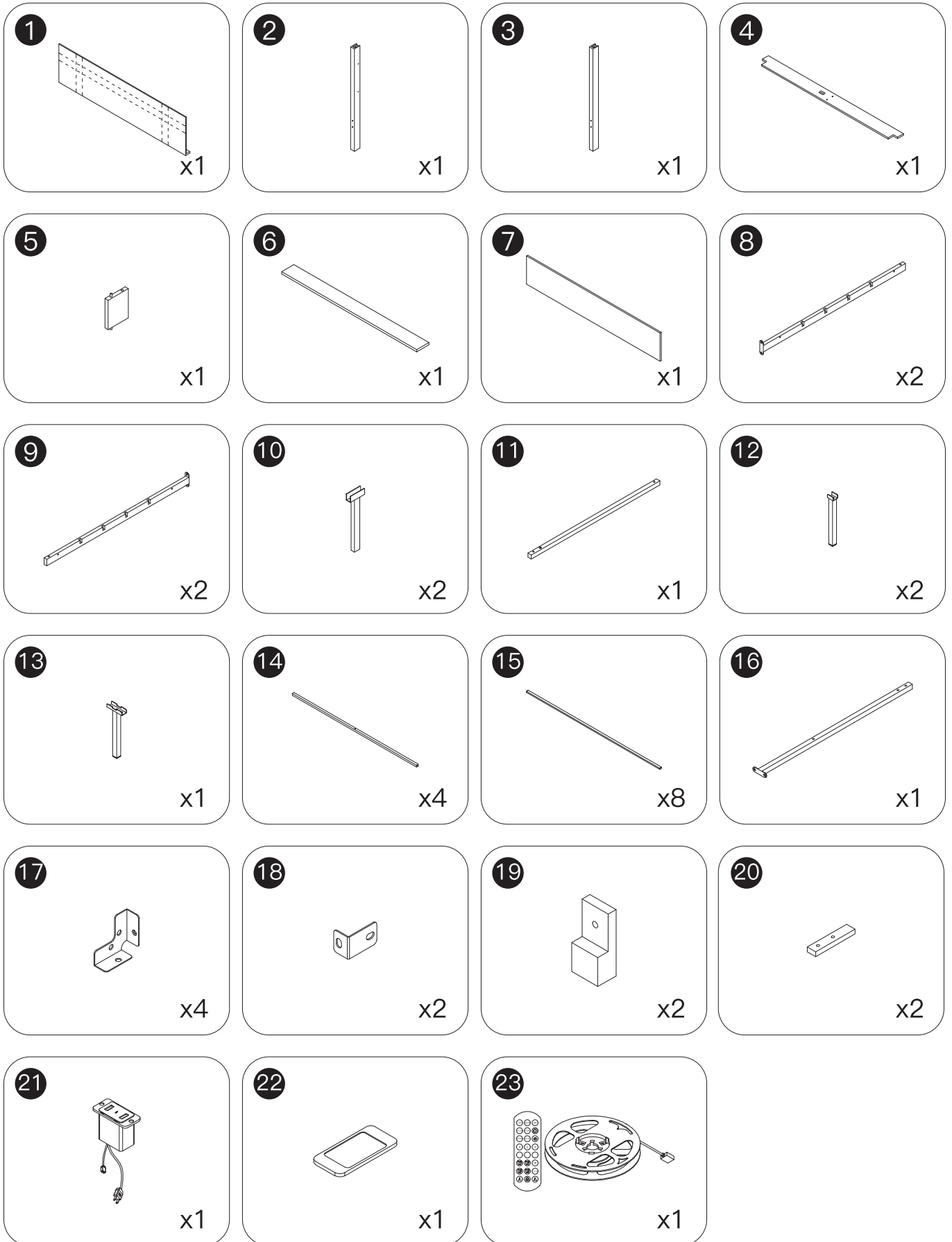
- Please check you have all hardware before assembling.
- Please ensure you have the name of the item and hardware part required and quantity.
- If you have any questions, please contact us by original purchase platform. we will reply you ASAP.
- Please don't tighten the screws completely and go back later for a final tightening of all the screws after pieces are aligned with each other.

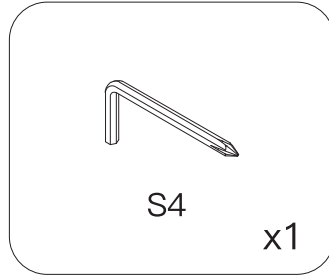
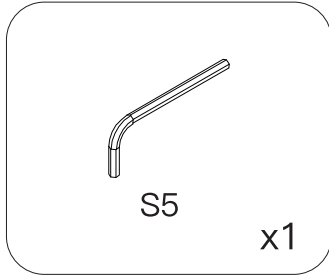
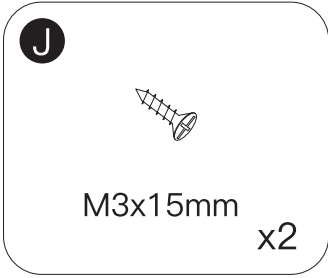
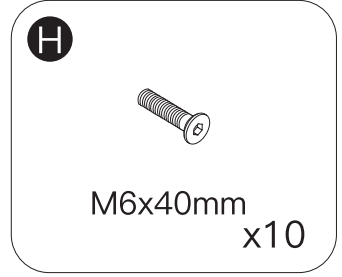
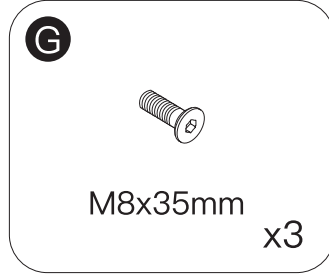
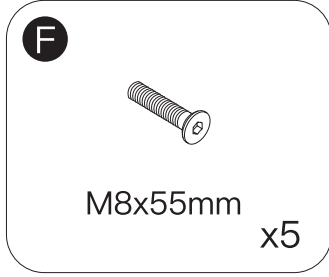
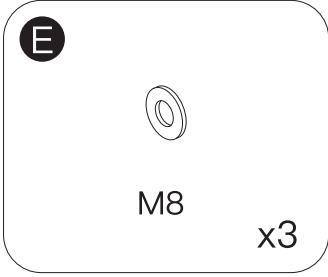
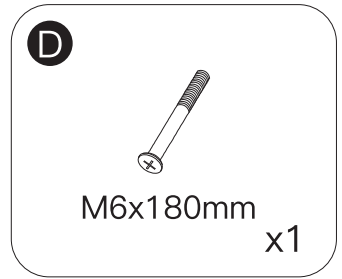
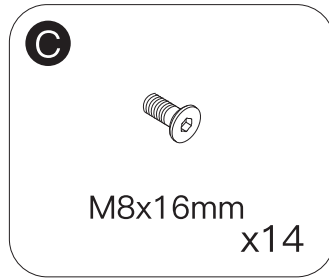
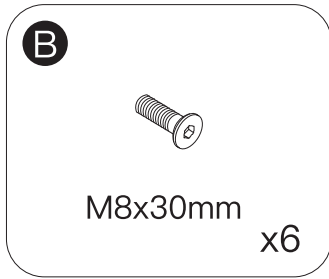
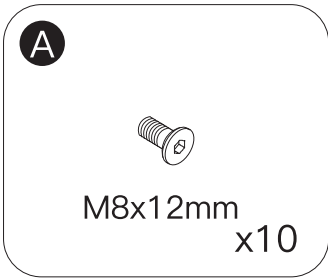
EXPLODED DRAWING:



Please check all parts and accessories according to the parts list before assembling, make sure all contents are sufficient and in good condition. If there is any parts missing or defective, please contact us with purchase platform message immediately to get replacement parts.

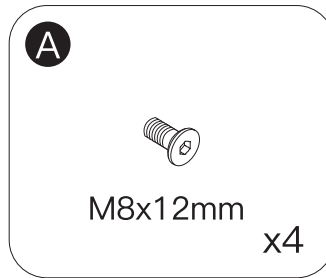
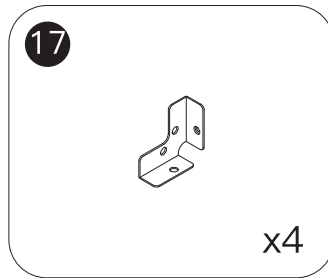
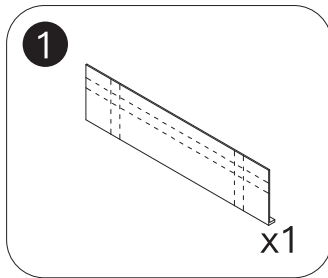
PARTS:



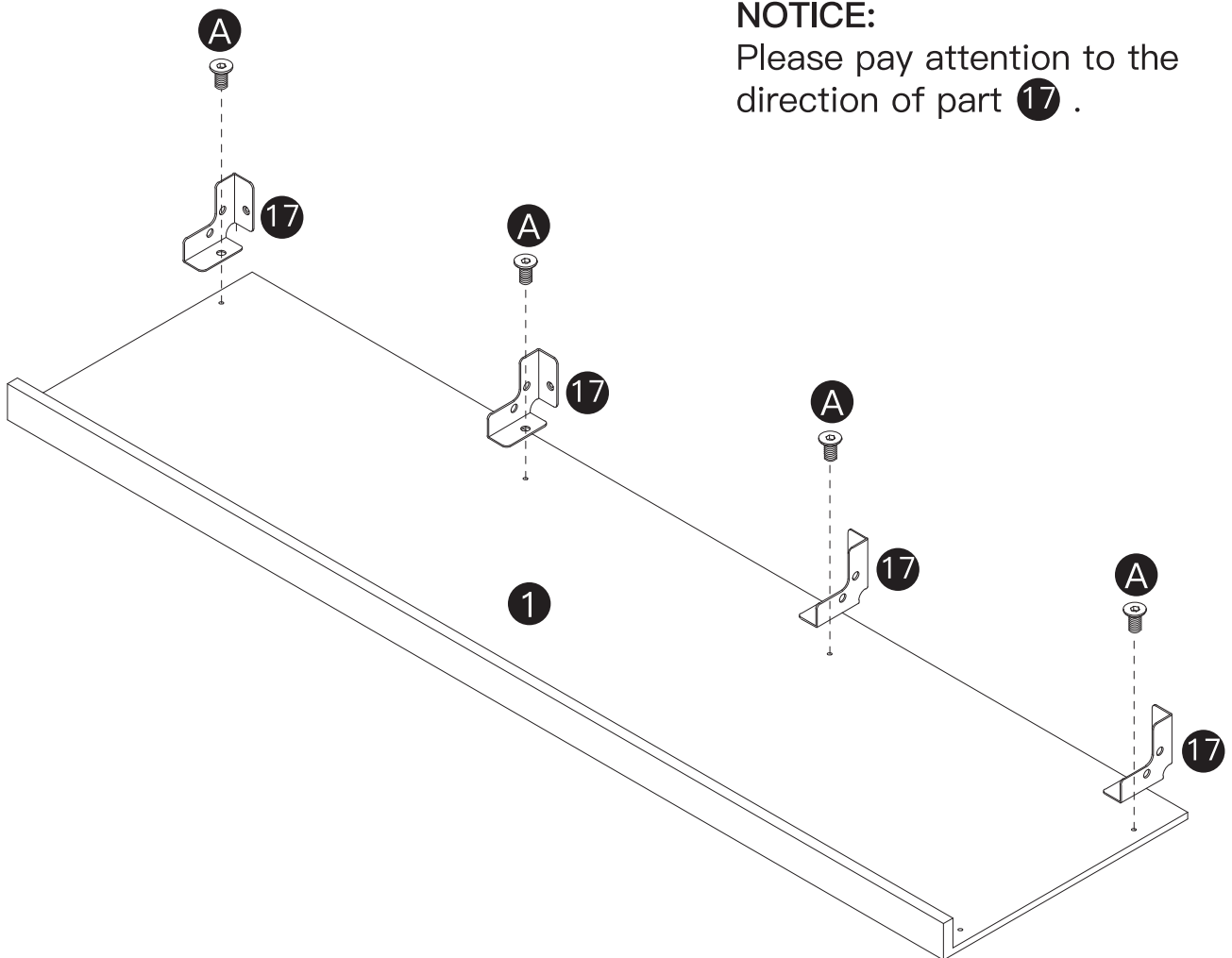


HOW TO INSTALL

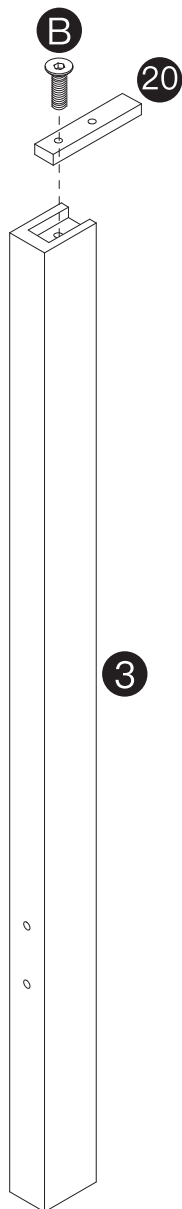
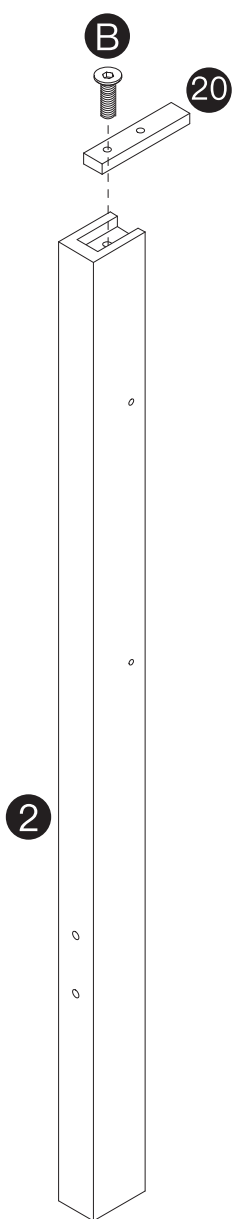
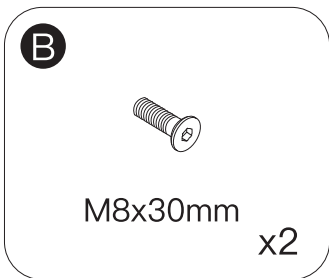
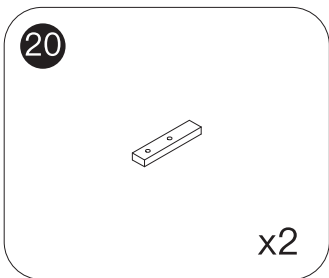
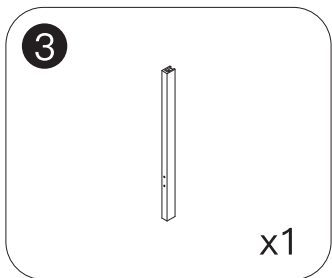
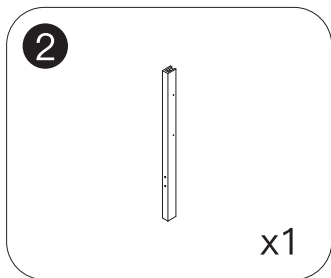
STEP 1



NOTICE:
Please pay attention to the
direction of part 17 .



STEP 2

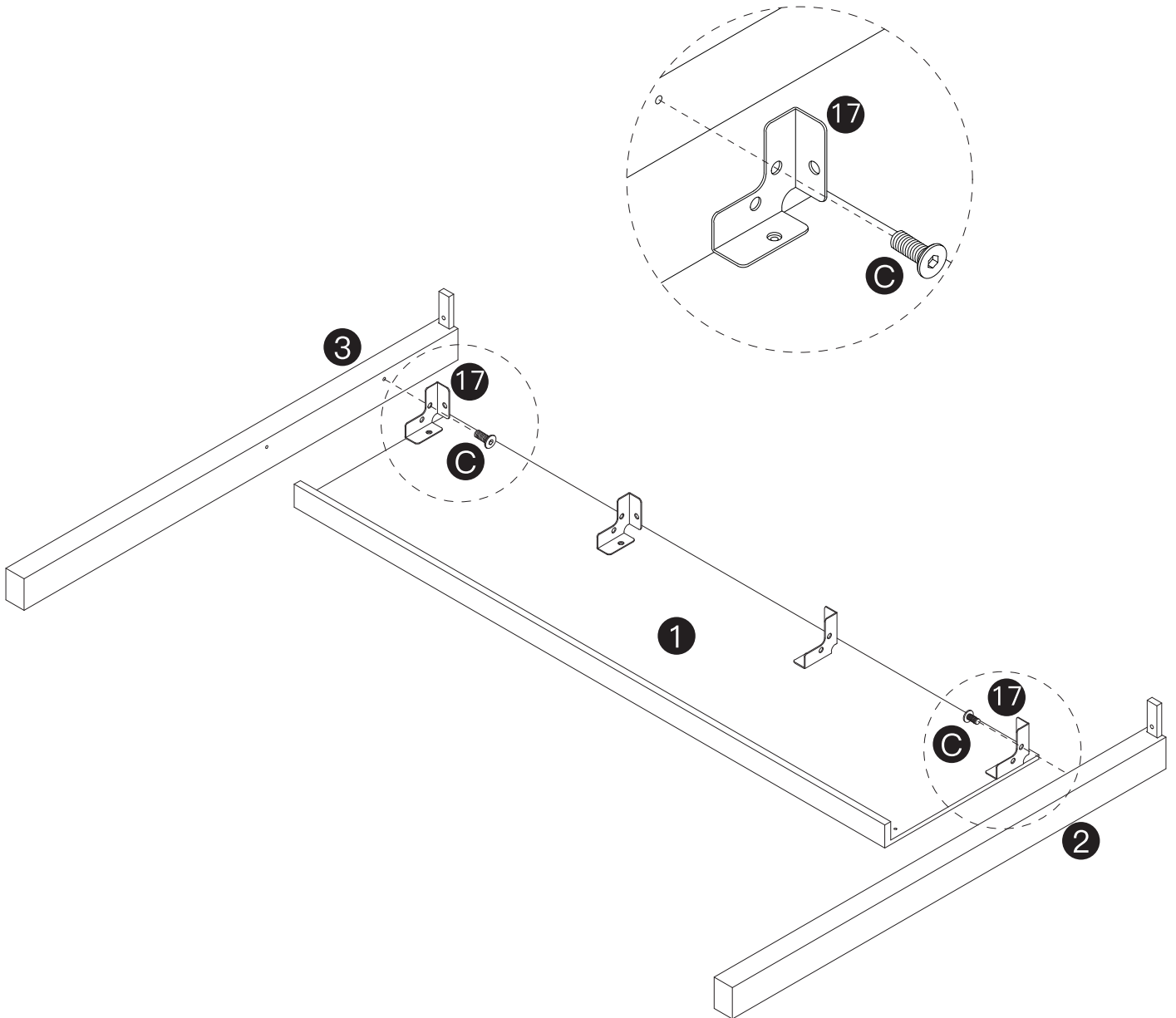


STEP 3

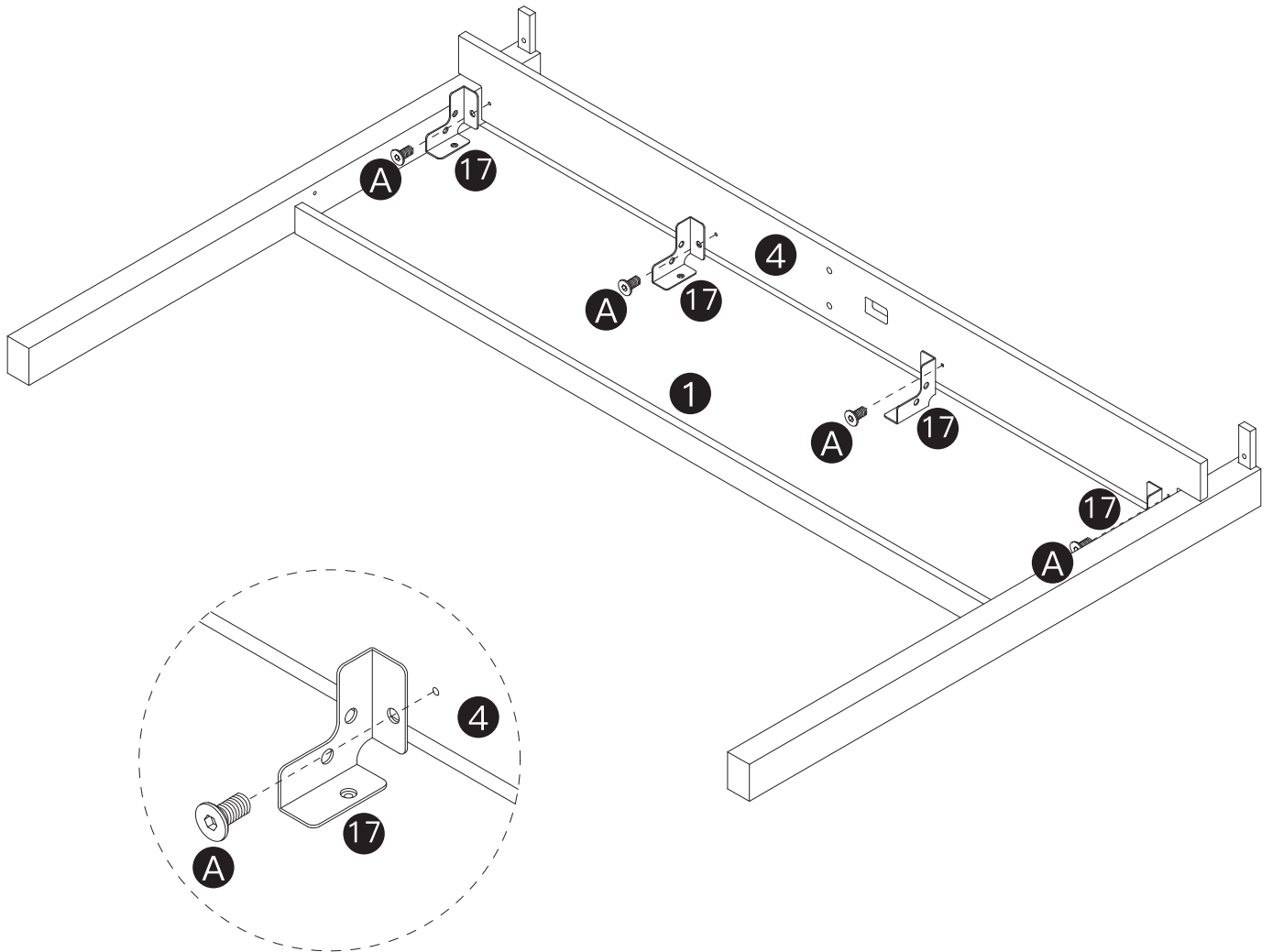
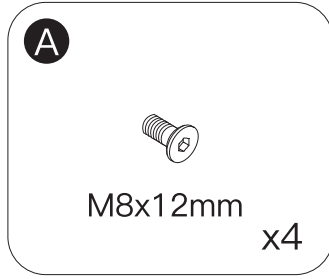
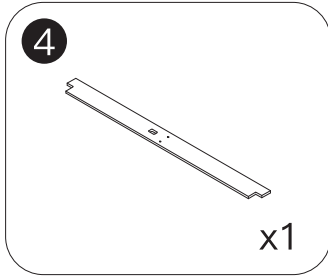
C



M8x16mm
x2



STEP 4



STEP 5

18



x2

A



M8x12mm

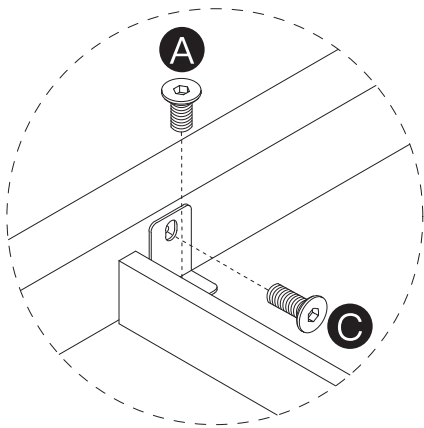
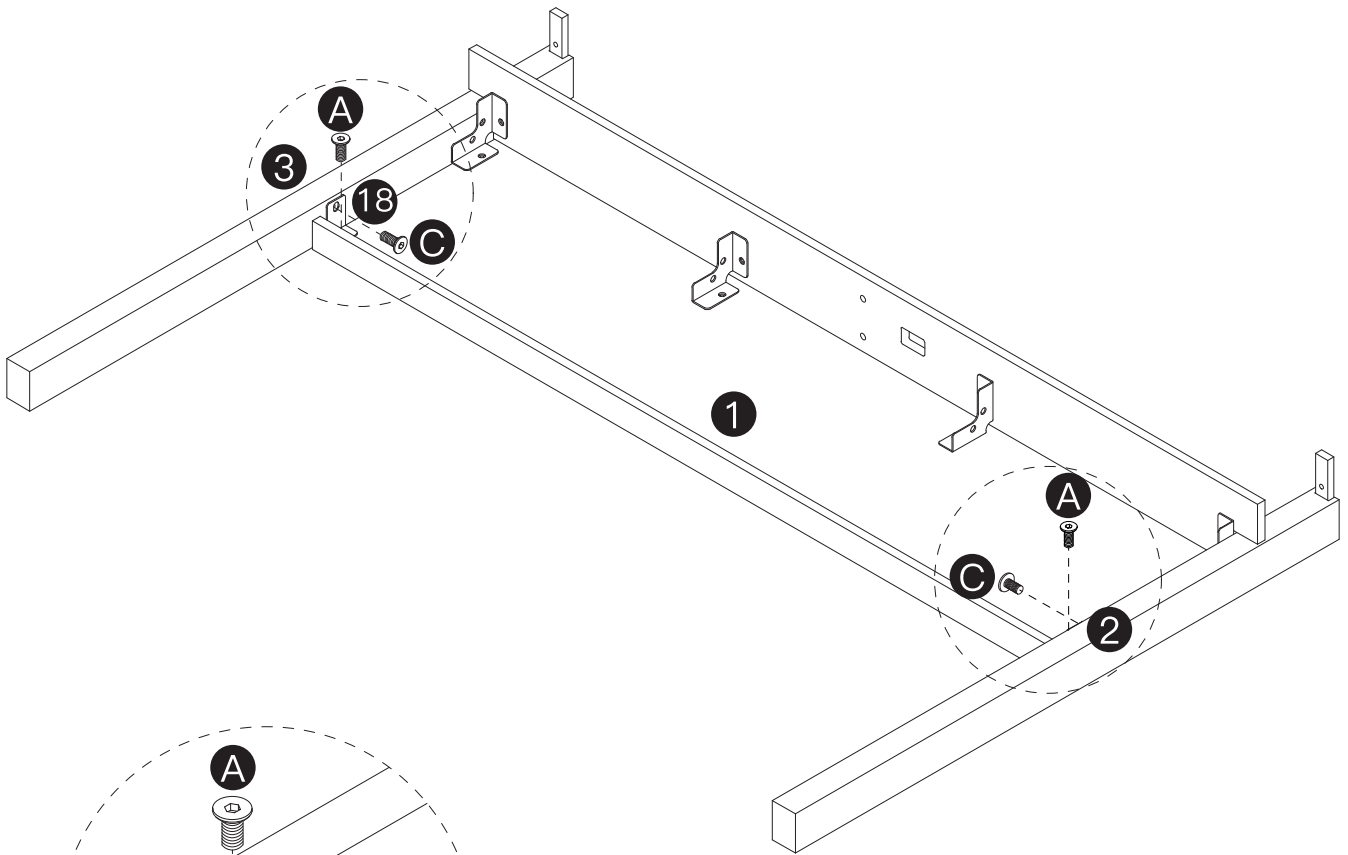
x2

C



M8x16mm

x2



STEP 6

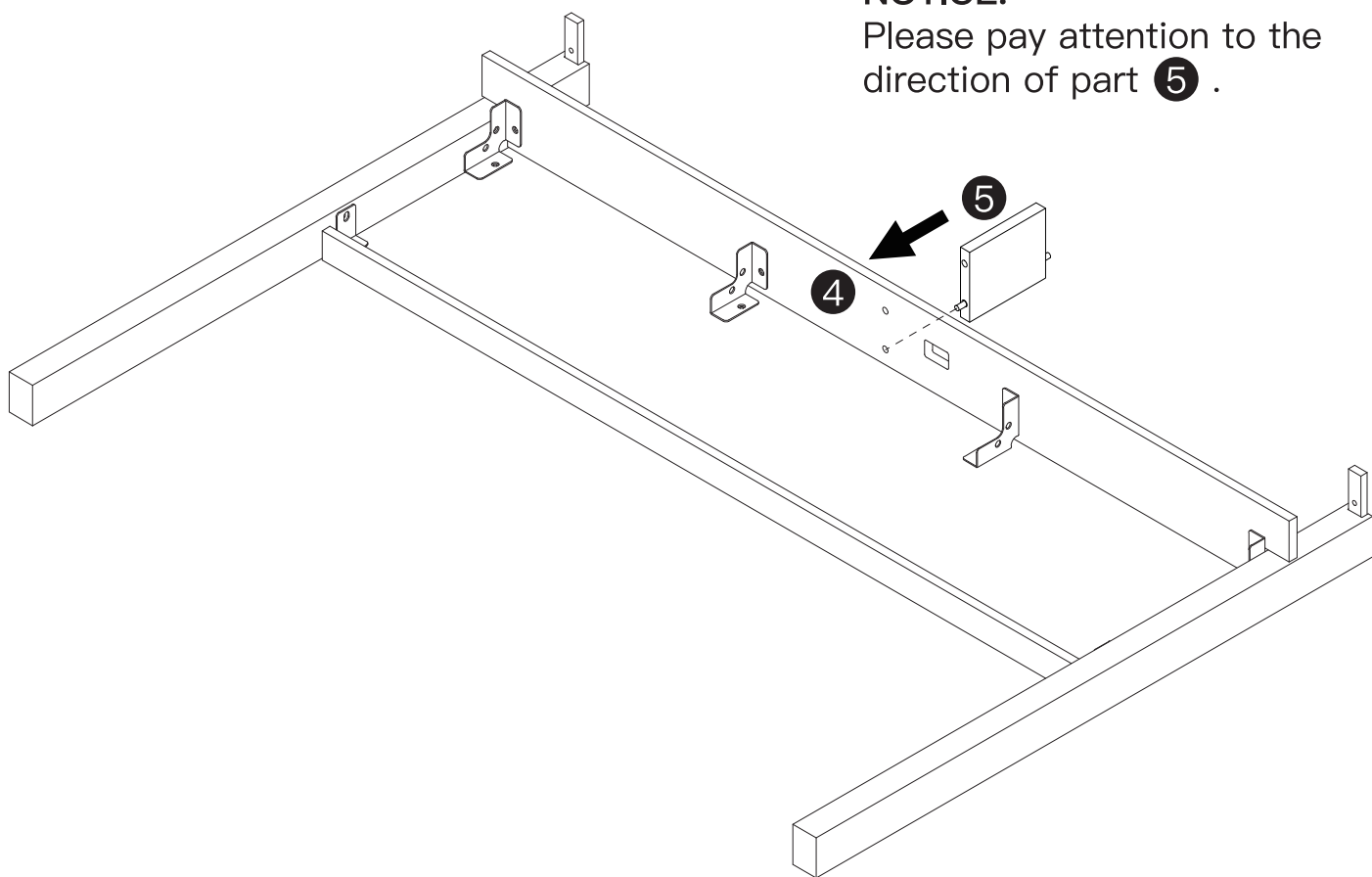
5



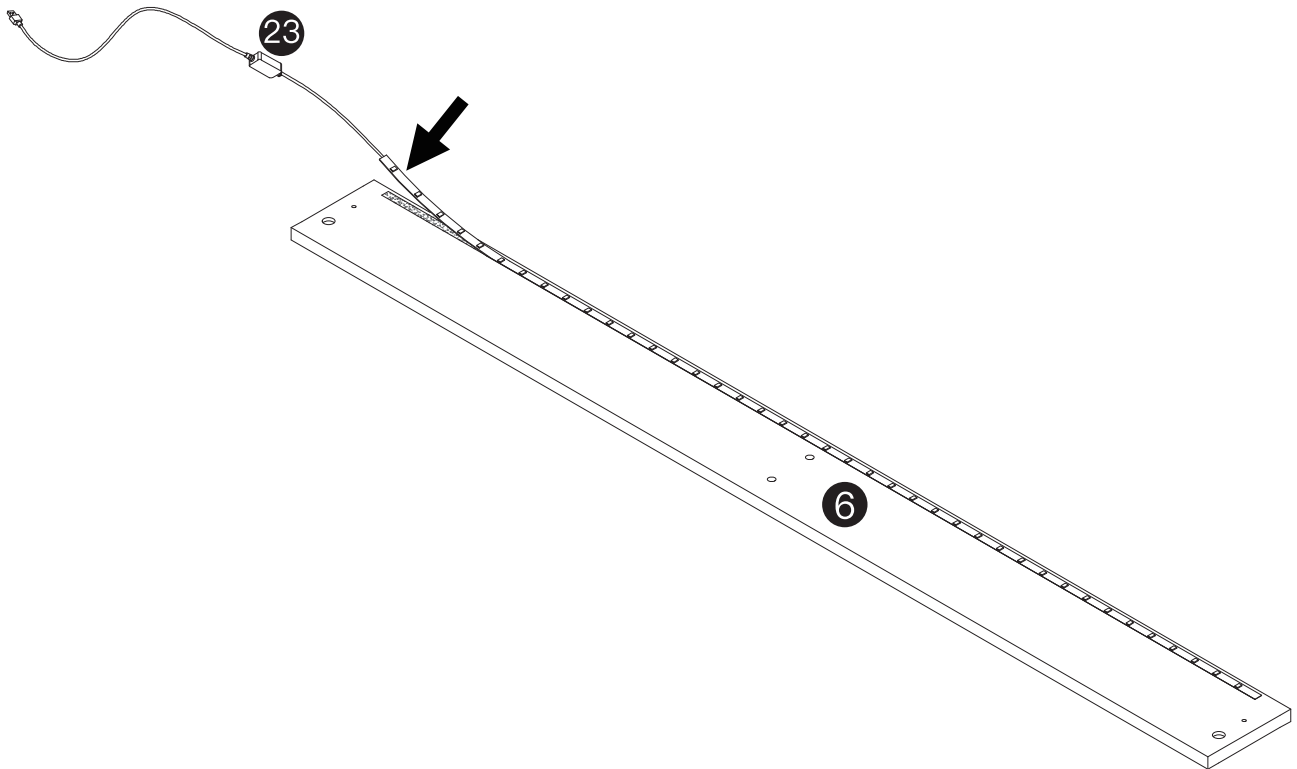
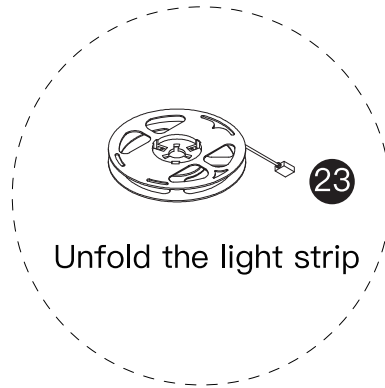
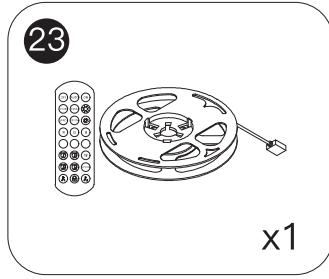
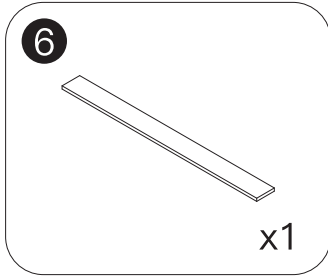
x1

NOTICE:

Please pay attention to the direction of part 5 .



STEP 7



STEP 8

B



M8x30mm
x2

D

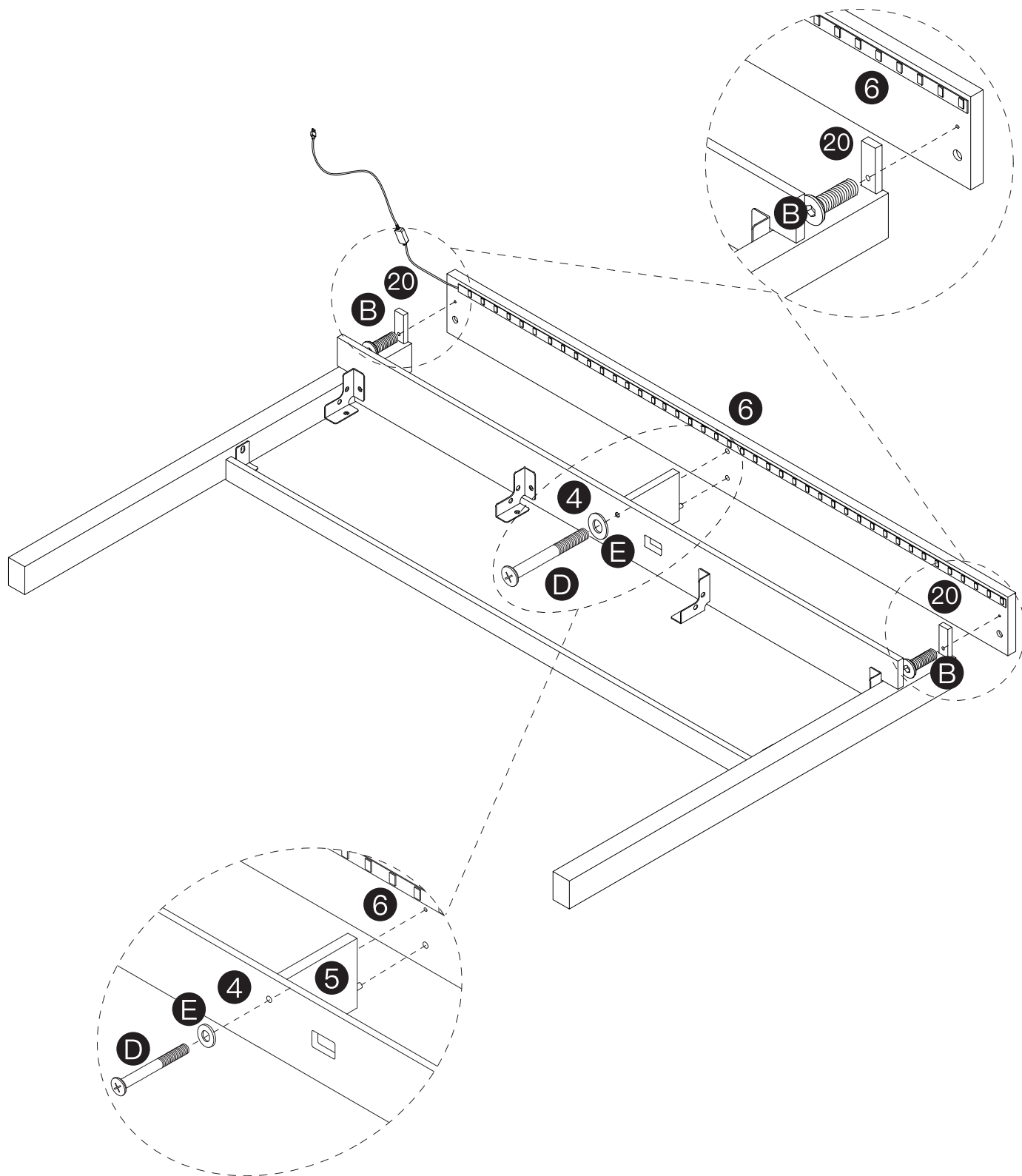


M6x180mm
x1

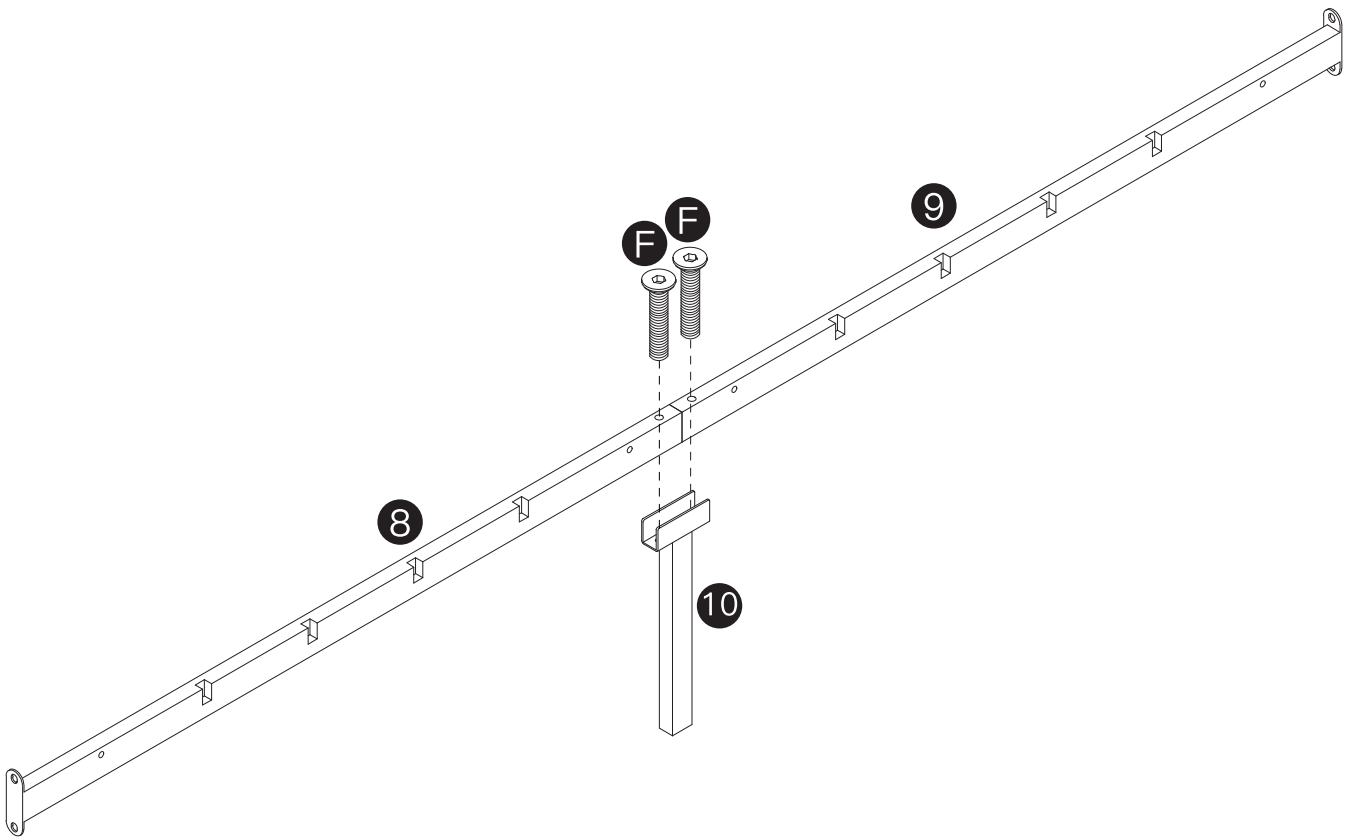
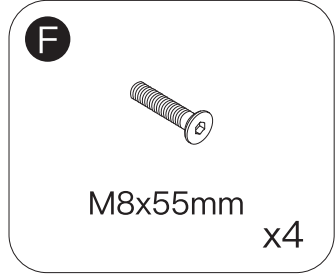
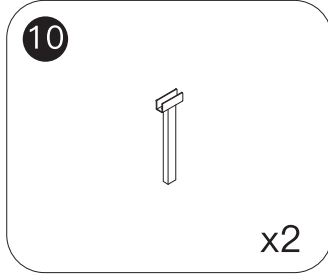
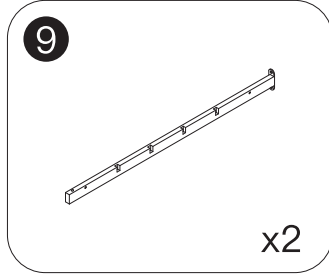
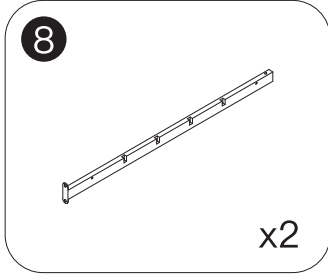
E



M8
x1

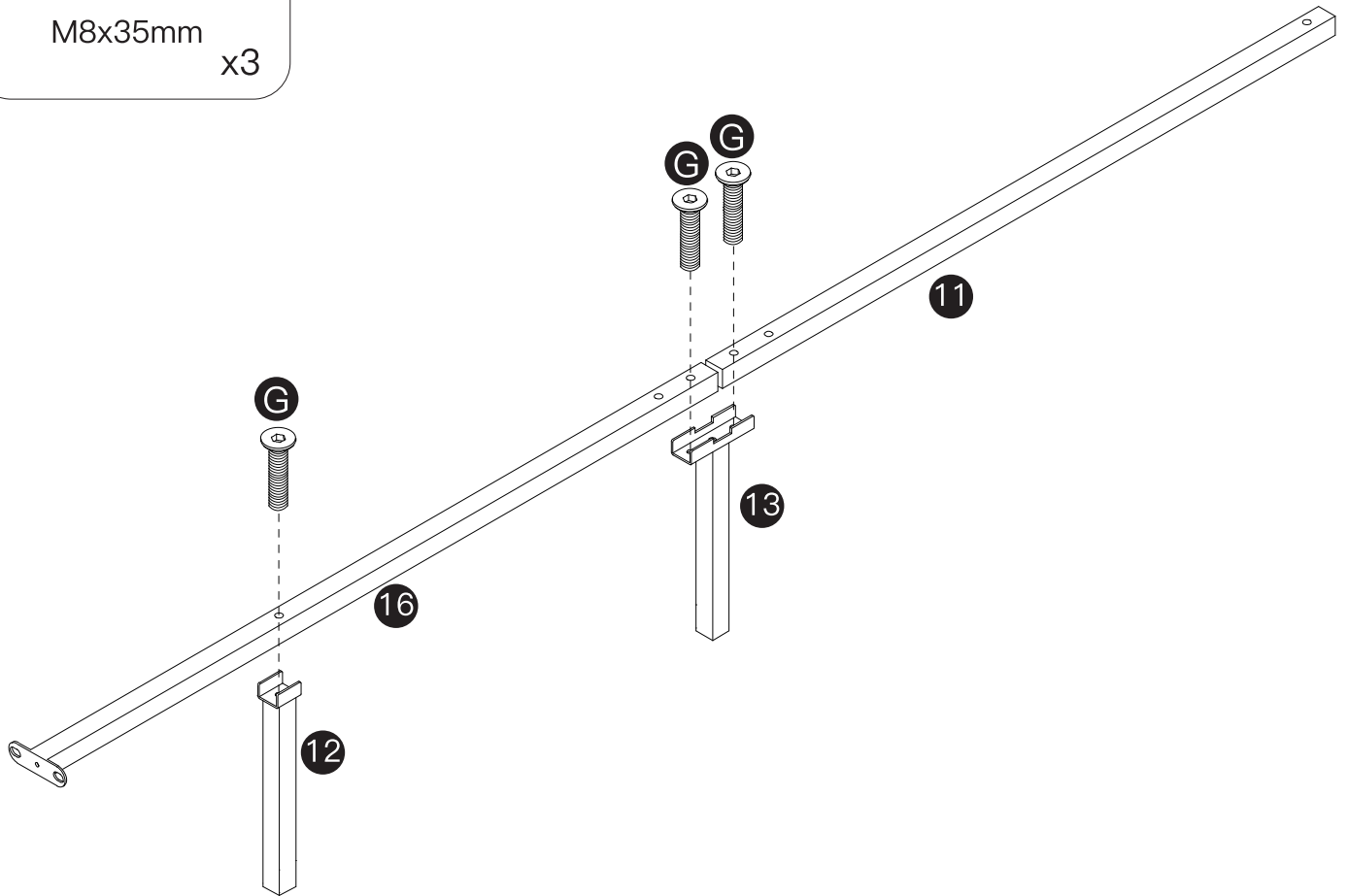
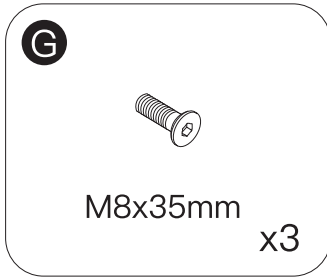
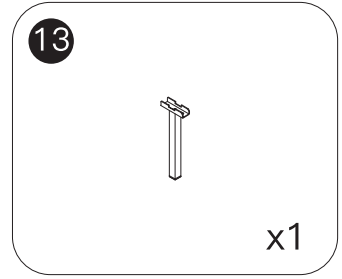
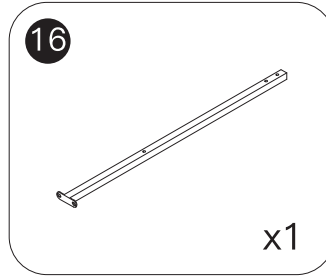
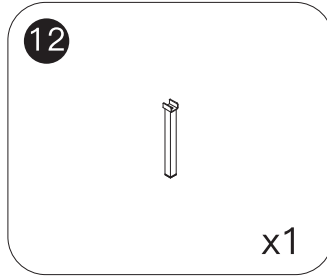
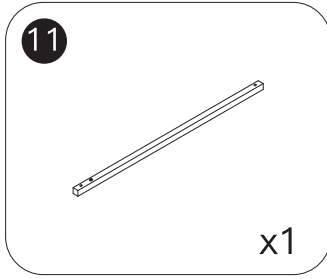


STEP 9

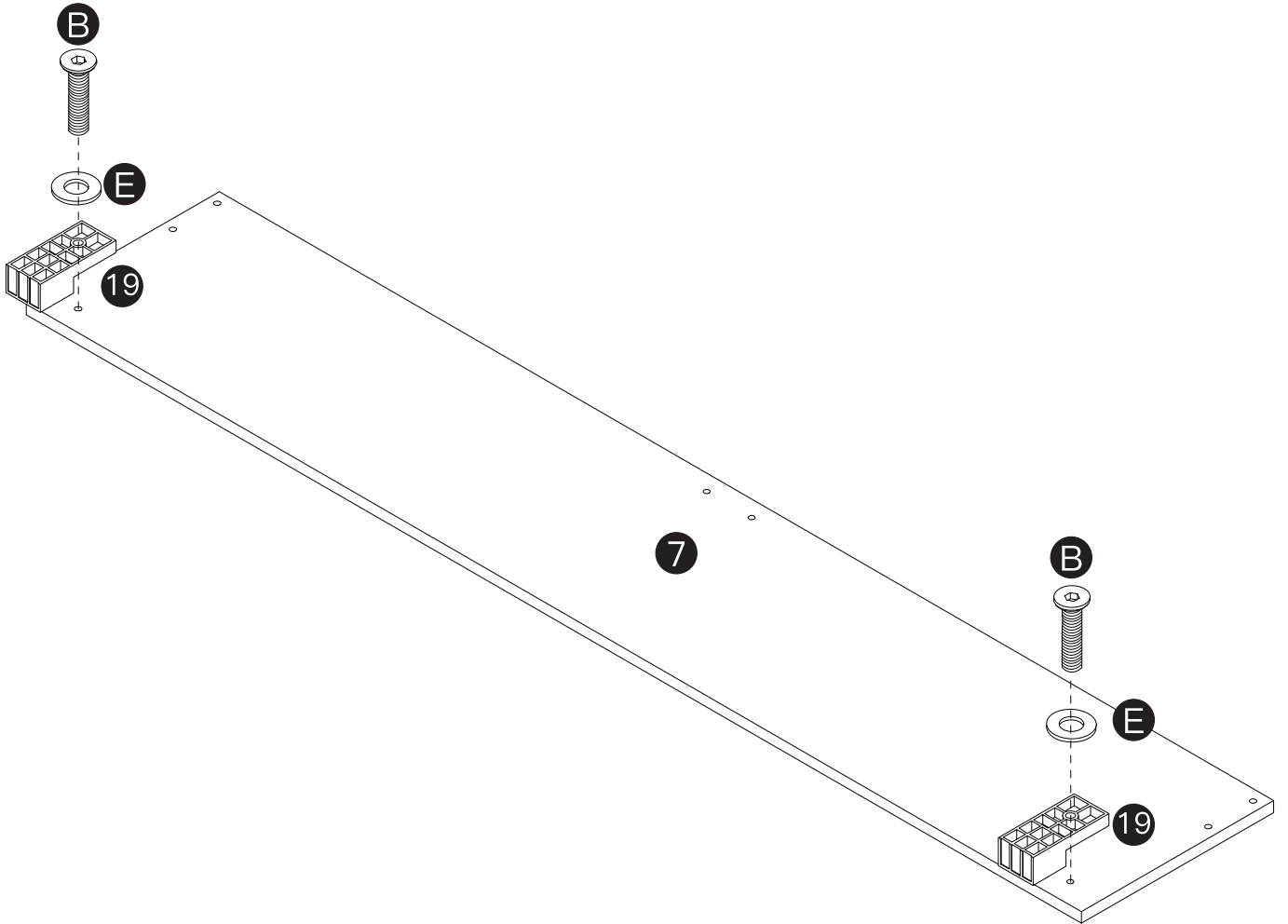
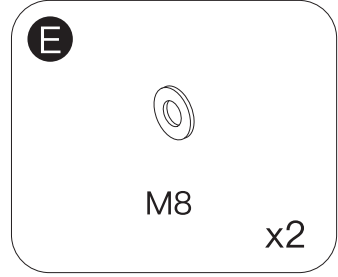
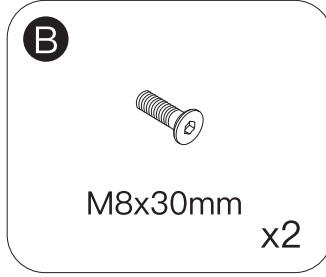
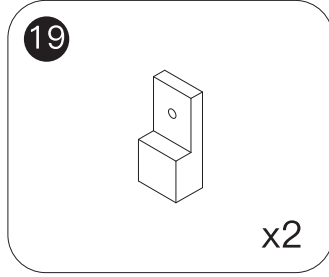
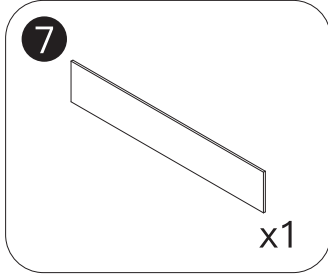


x2

STEP 10



STEP 11

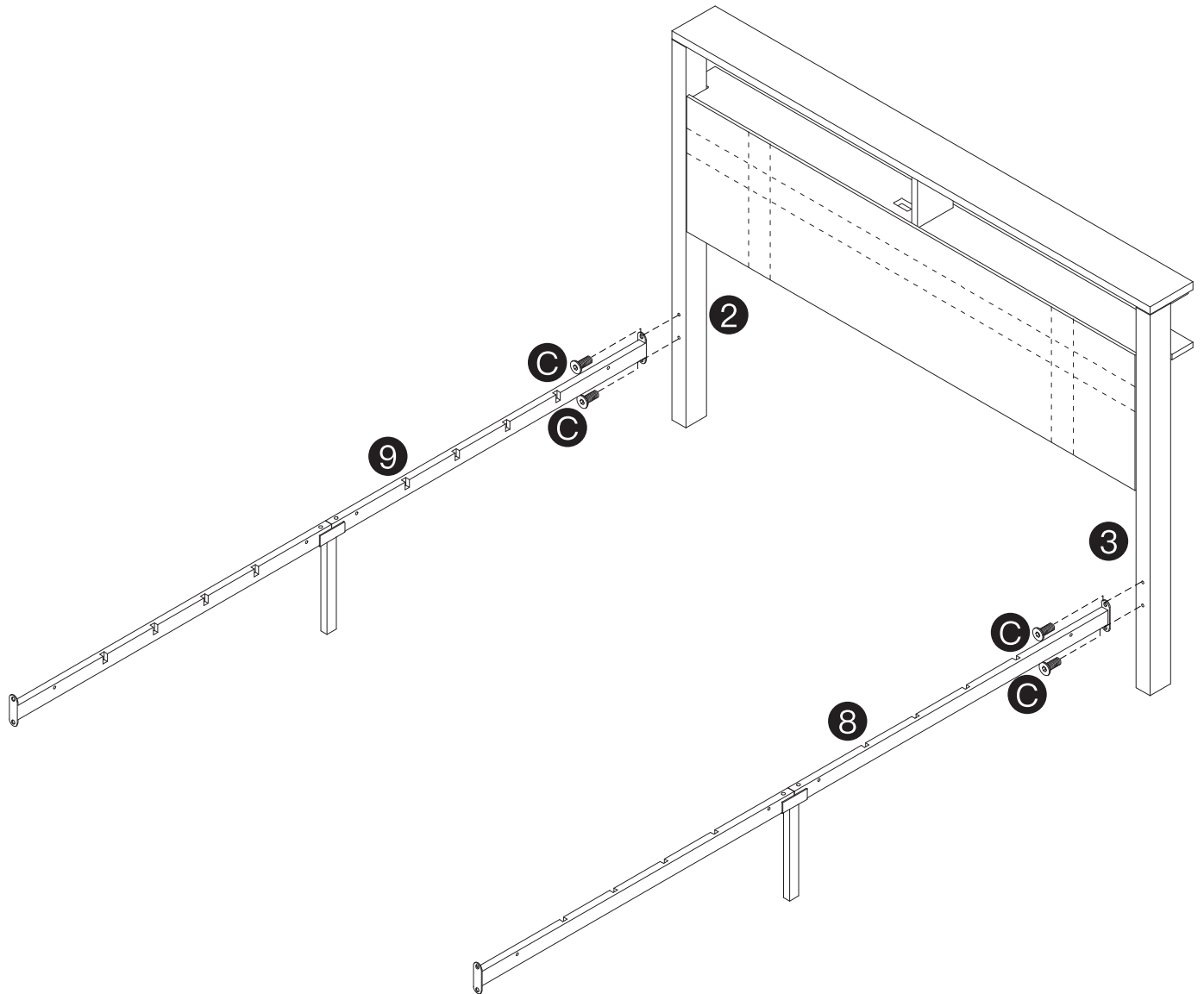


STEP 12

C



M8x16mm
x4

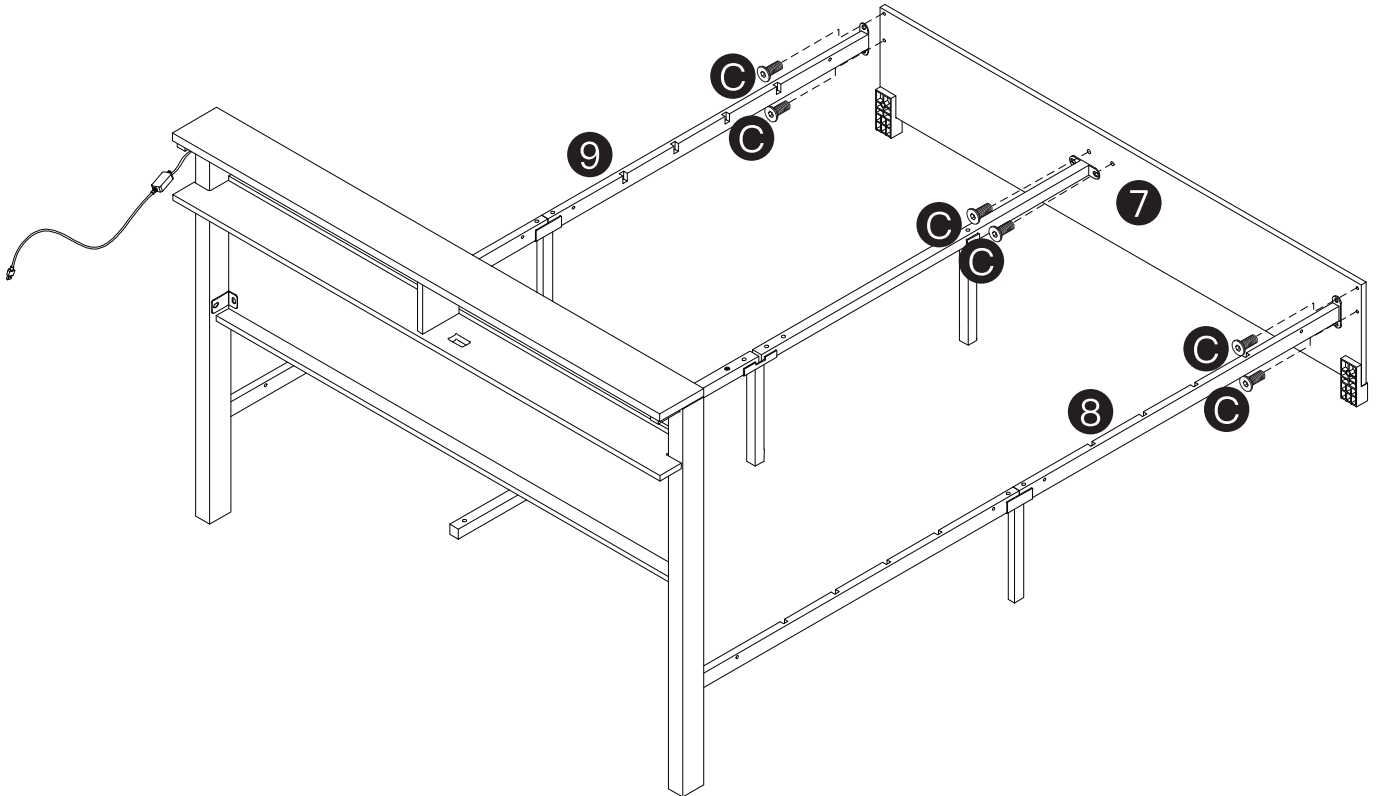


STEP 13

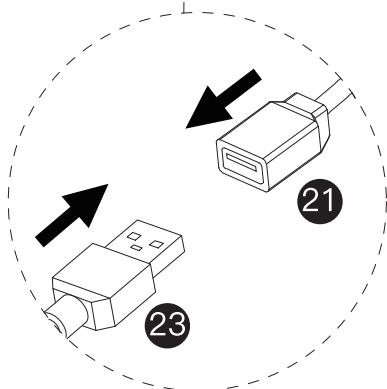
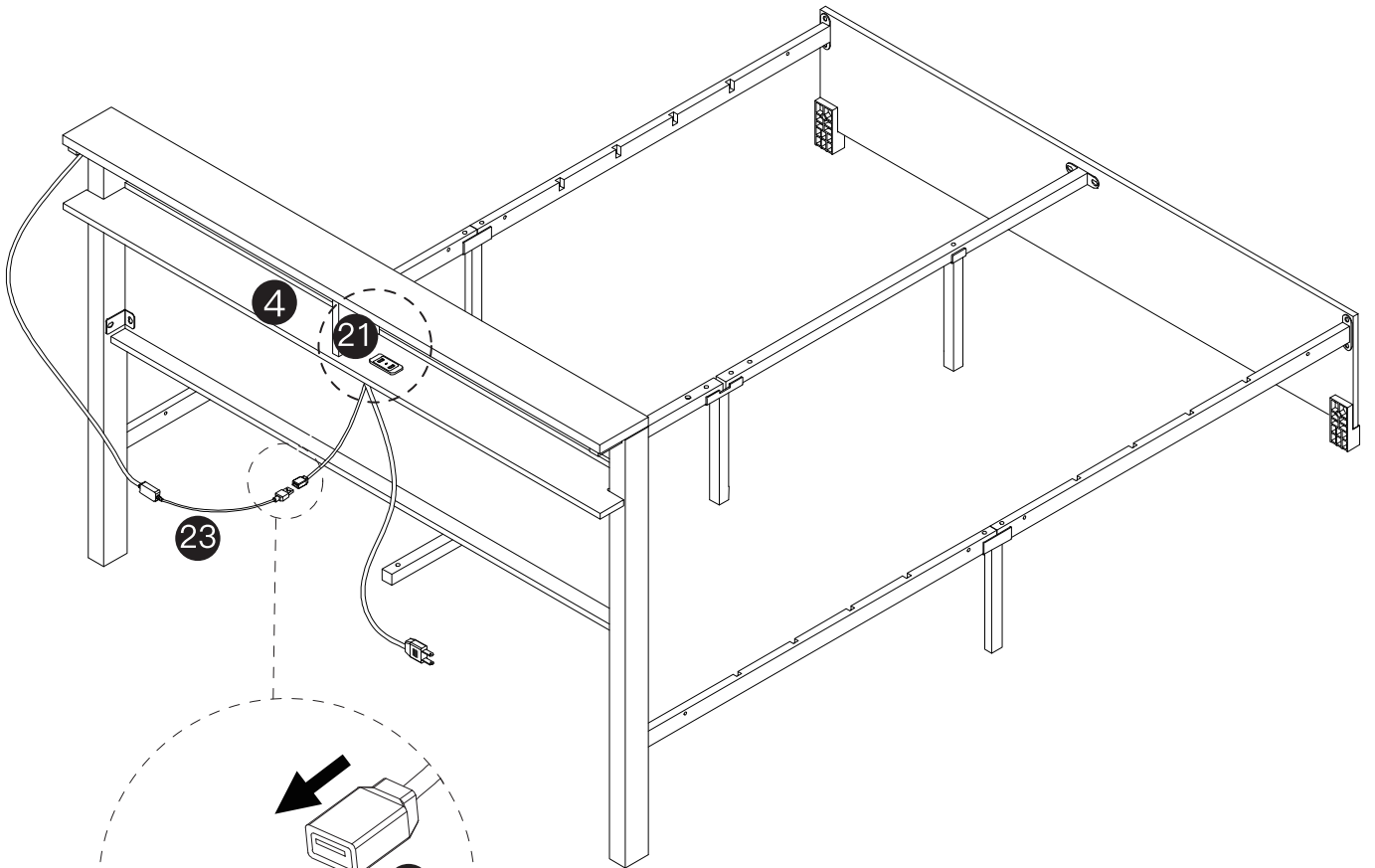
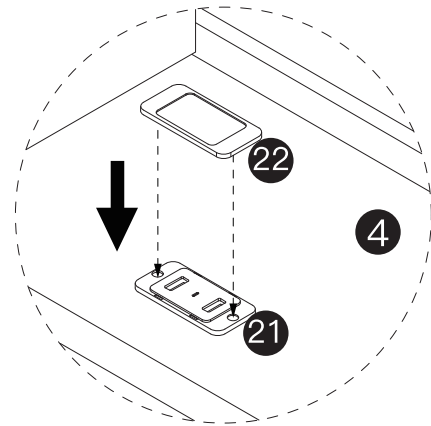
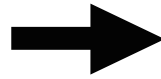
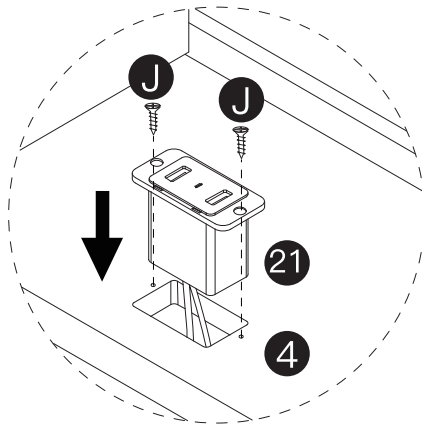
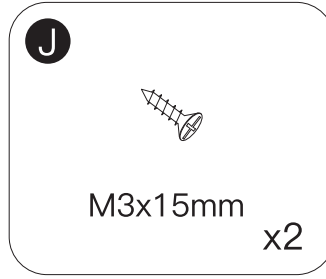
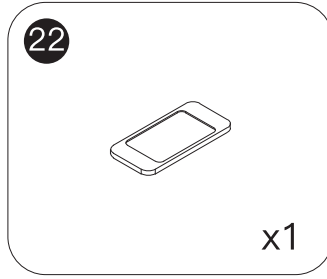
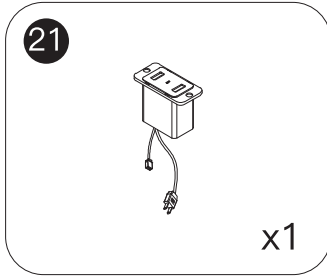
C



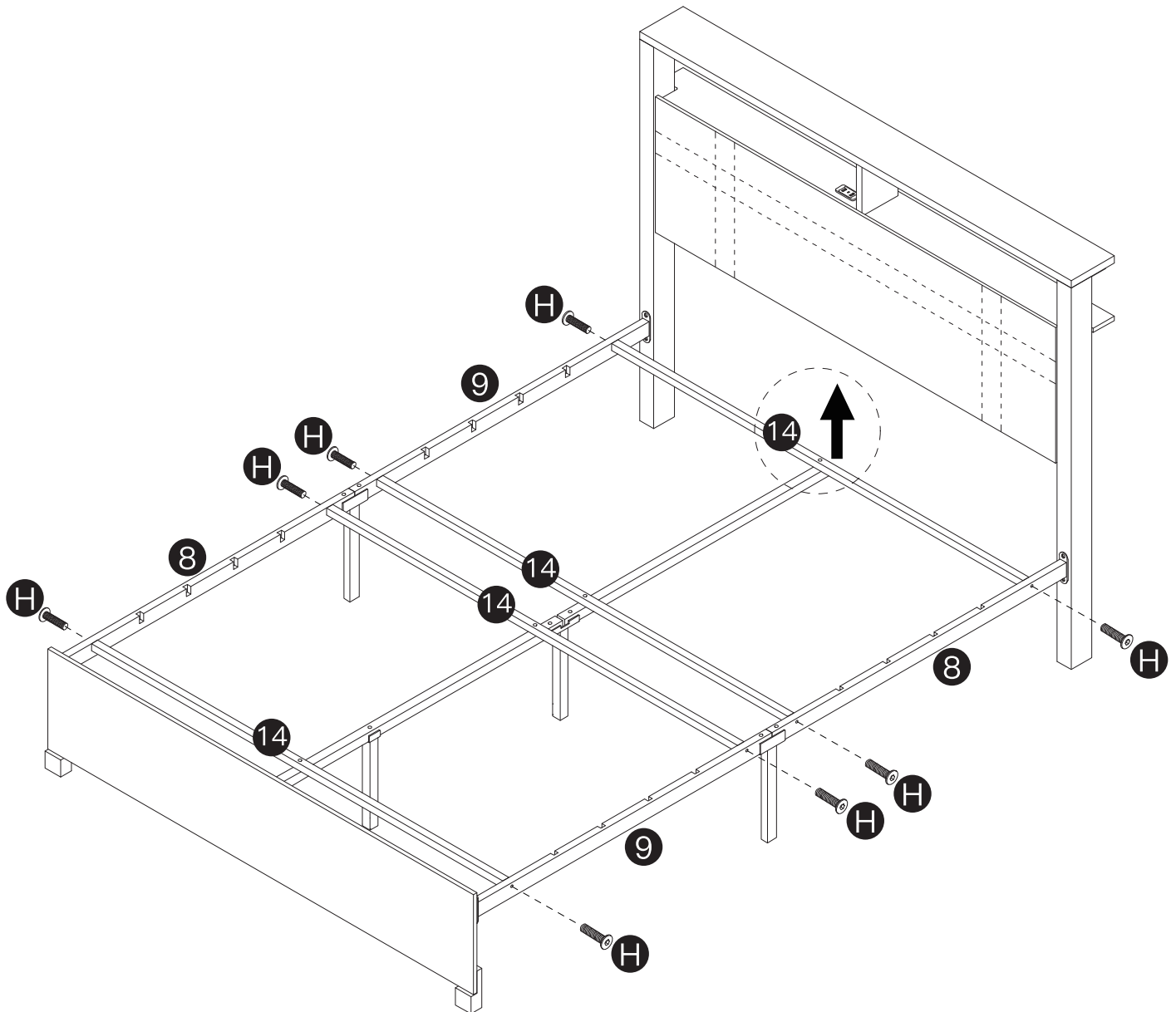
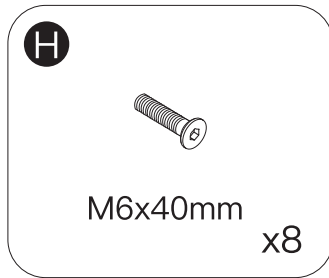
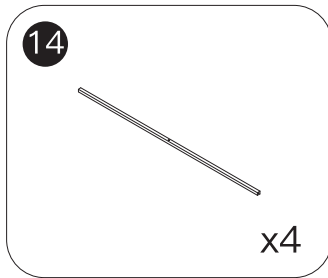
M8x16mm
x6



STEP 14



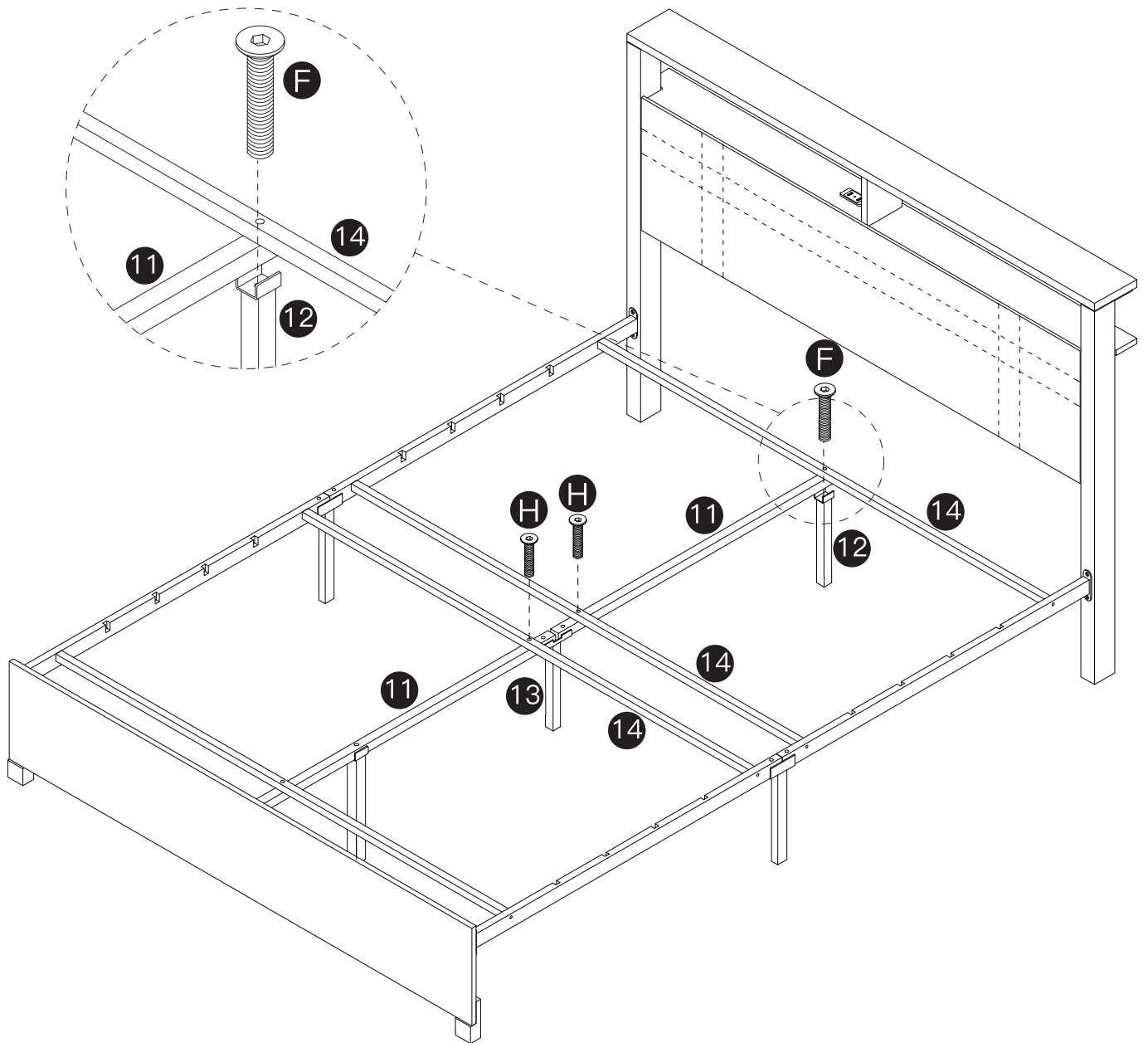
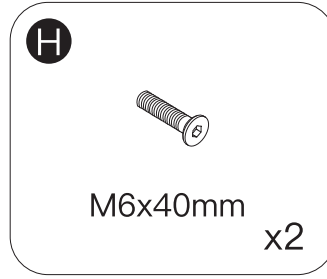
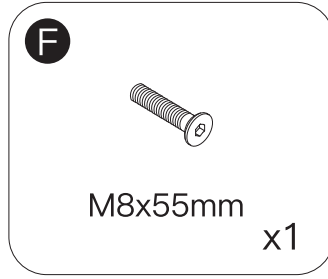
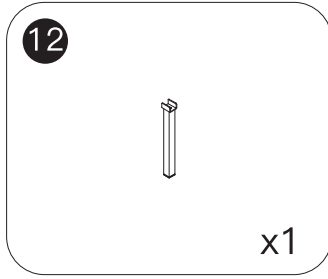
STEP 15



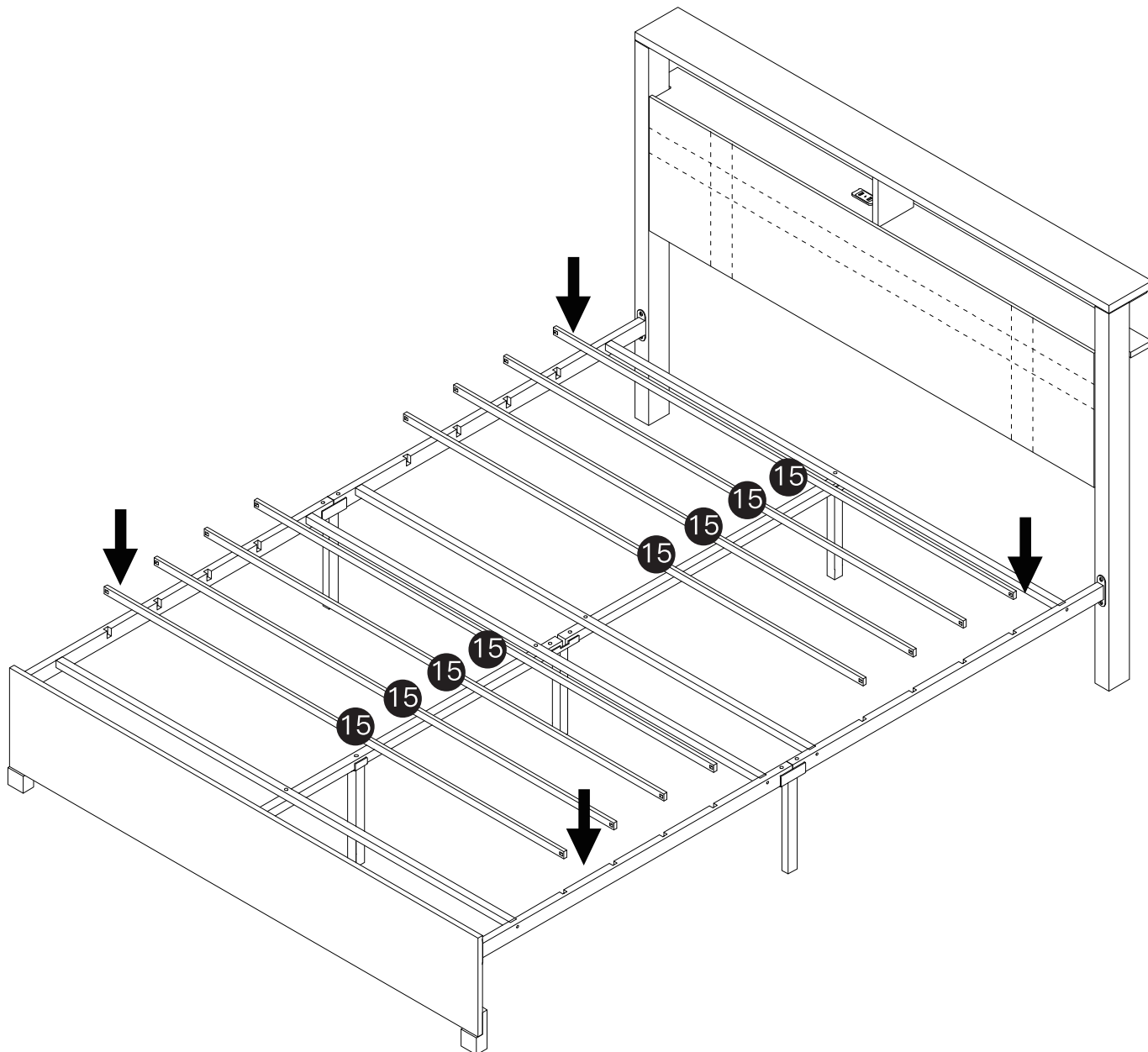
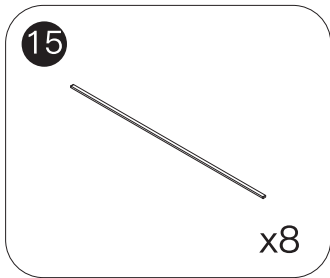
NOTICE:

Please ensure that the hole in part 14 is facing upwards.

STEP 16



STEP 17



STEP 18

