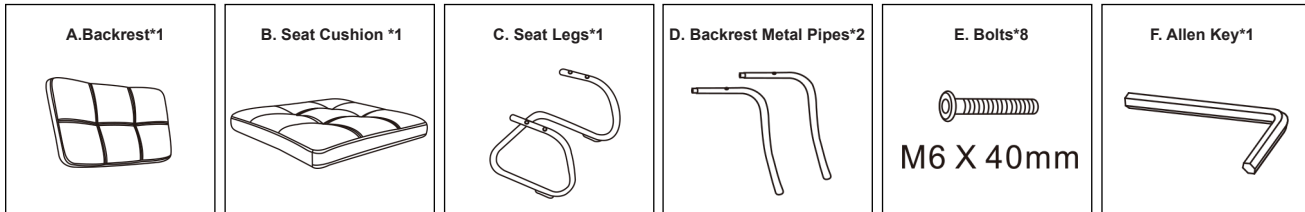


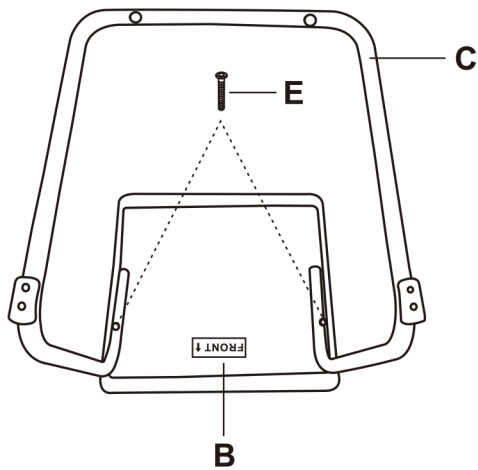
ASSEMBLY INSTRUCTIONS

Item Name: PU Leather Dining Chair

1. Please make sure you have all parts before commencing assembly.
2. Please place all parts on to a clean dry and soft surface to avoid scratching during the assembly of your furniture.
- * 3. For a successful installation, please do not tighten the screws once when installation. If there is any misalignment of the bolt holes, the iron pipe can be slightly bent to align the bolt hole. When the screws are all installed, unified tighten all the screws.
4. If you have any questions regarding the assembly, please feel free to contact us through Amazon.

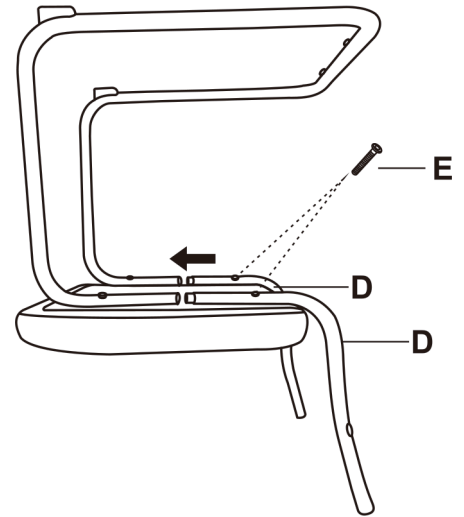


Step 1



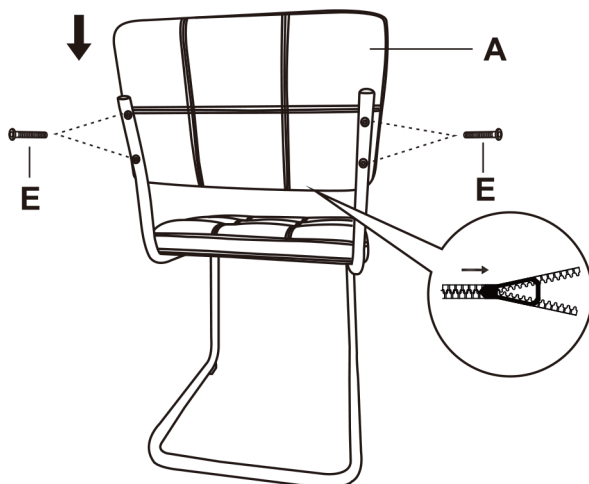
1. Attach seat legs (C) to seat cushion (B) with 2 bolts (E).

Step 2



2. Insert 2 backrest metal pipes (D) into seat legs (C), then attach 2 backrest metal pipes (D) to seat cushion (B) with 2 bolts (E).

Step 3



3. Finally attach 2 backrest metal pipes (D) to backrest (A) with 4 bolts (E).
(Note: The zipper side of the backrest down.)

Step 4

