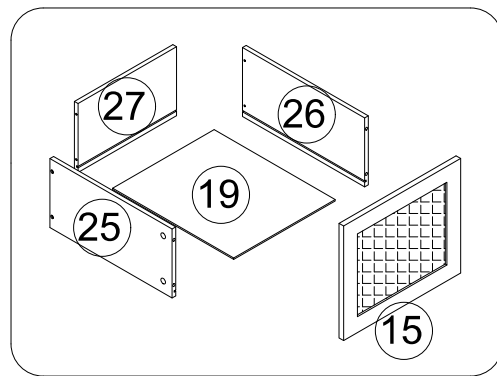
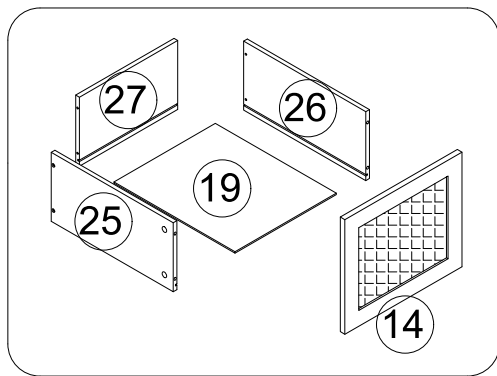
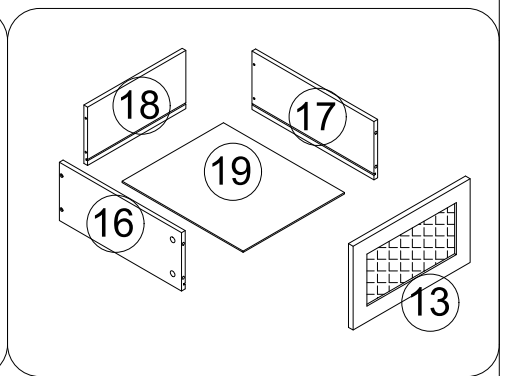
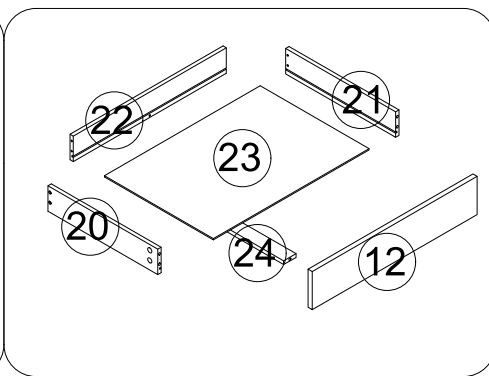
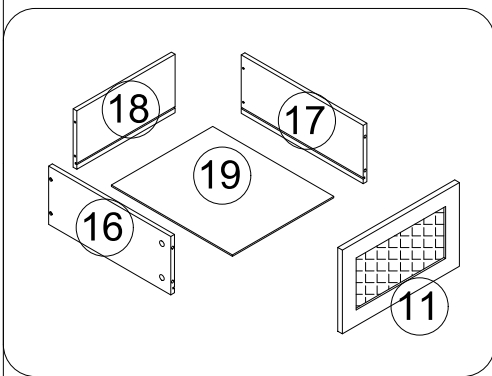
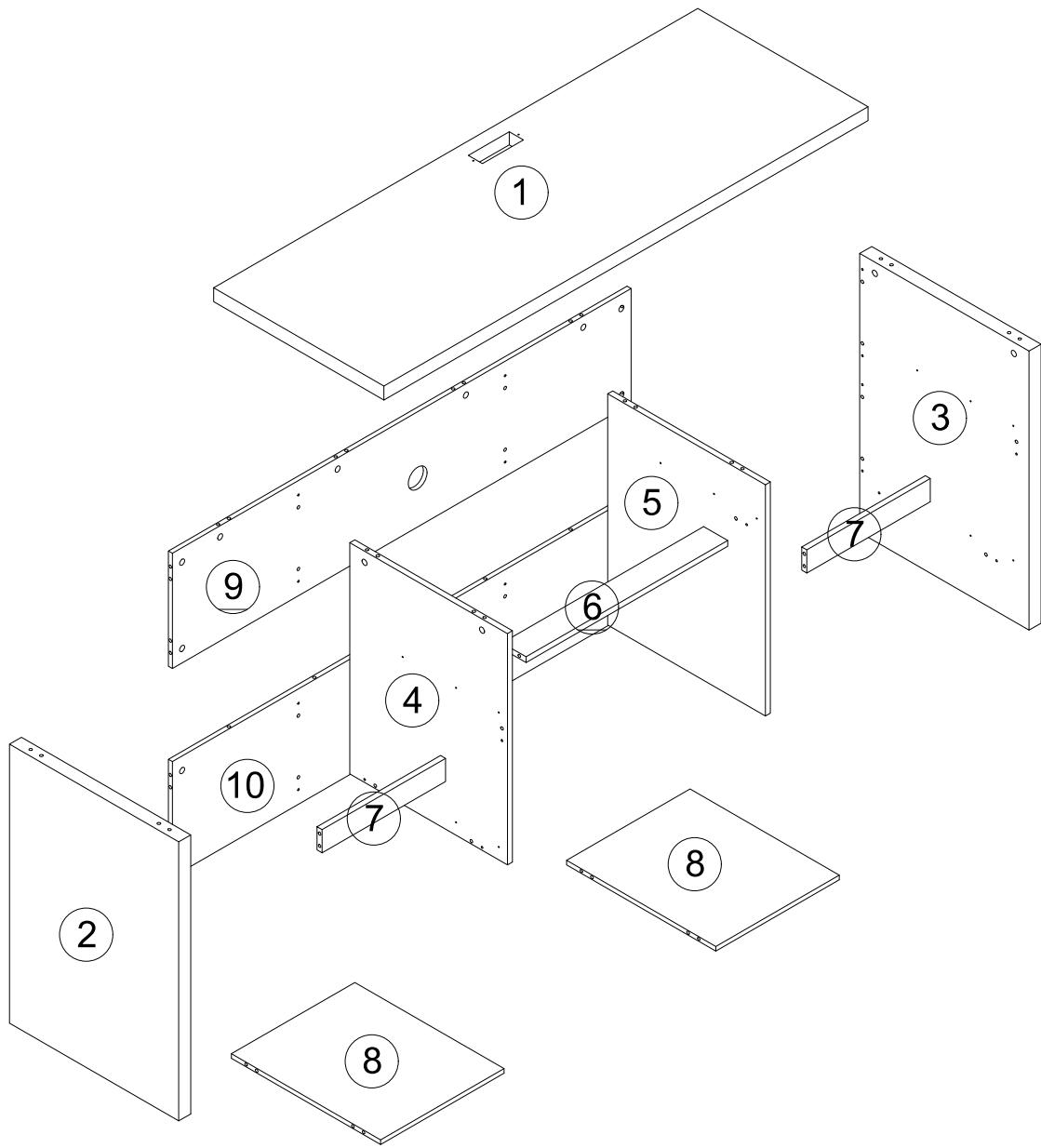


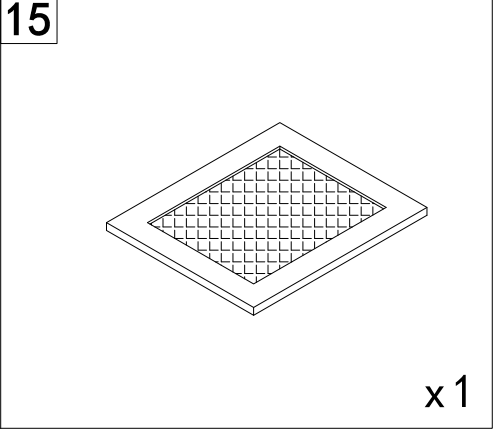
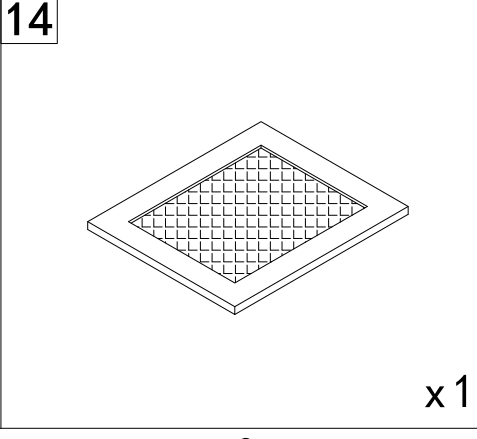
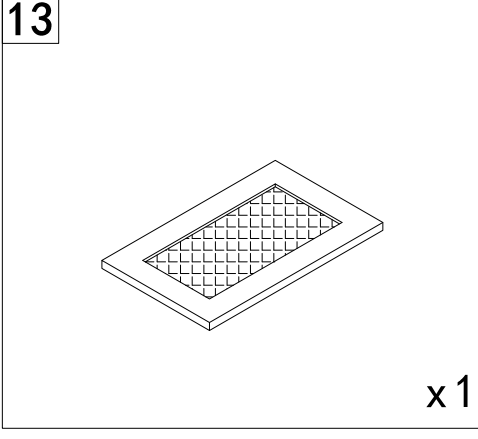
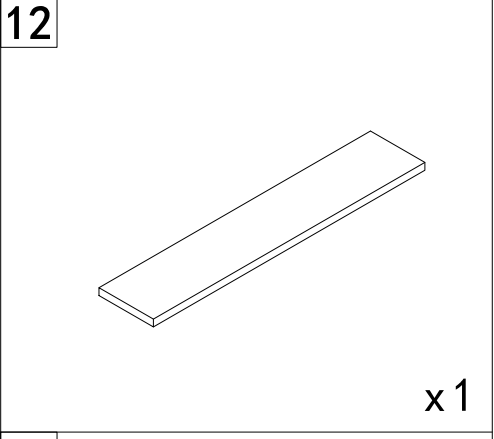
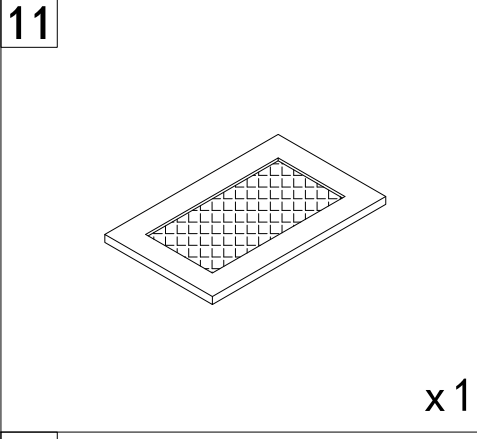
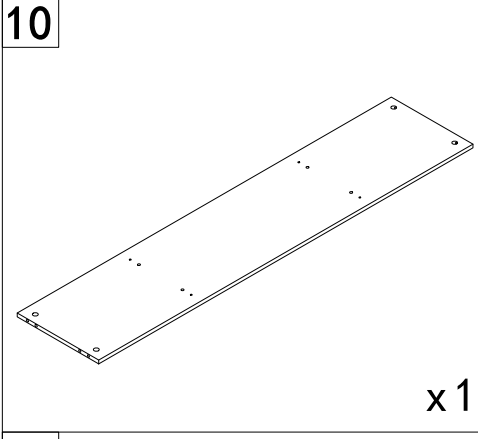
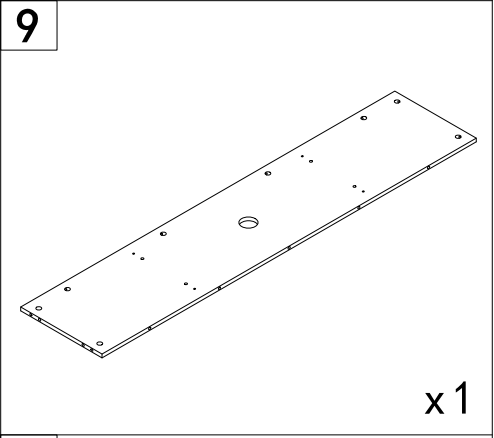
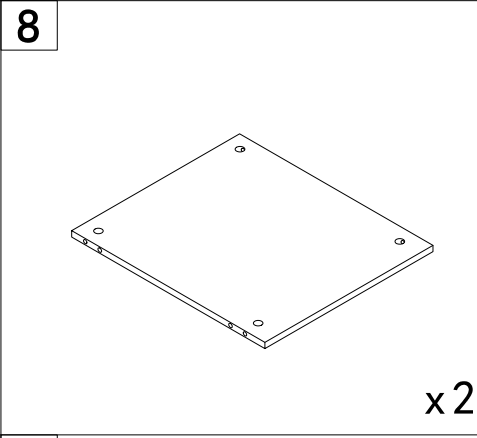
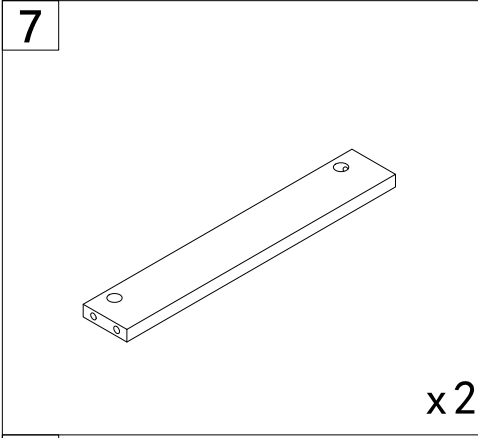
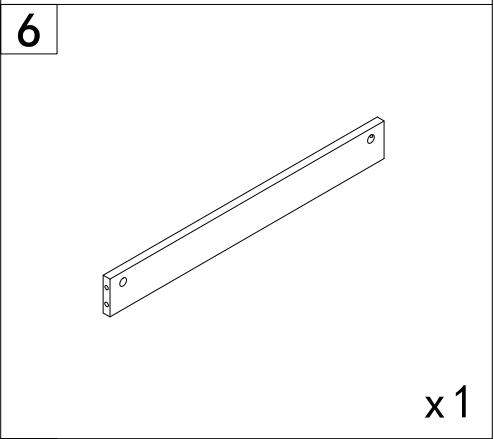
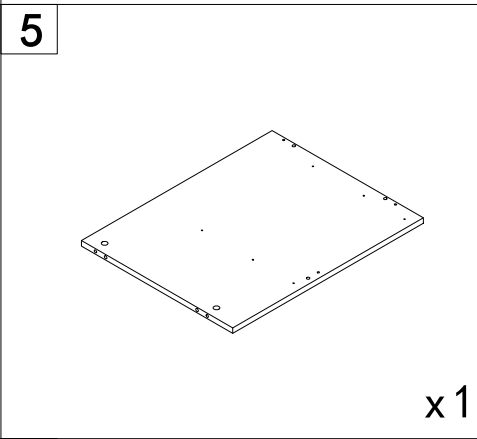
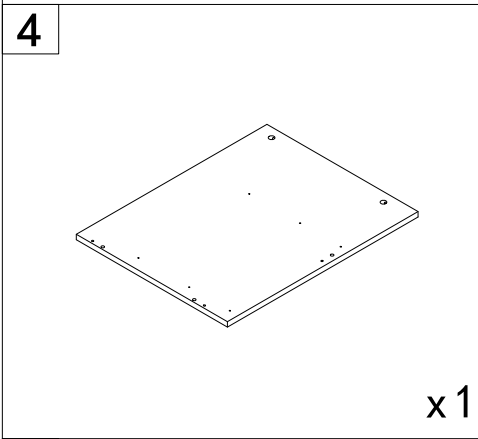
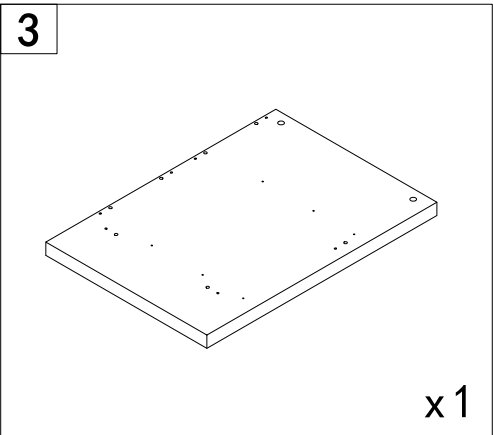
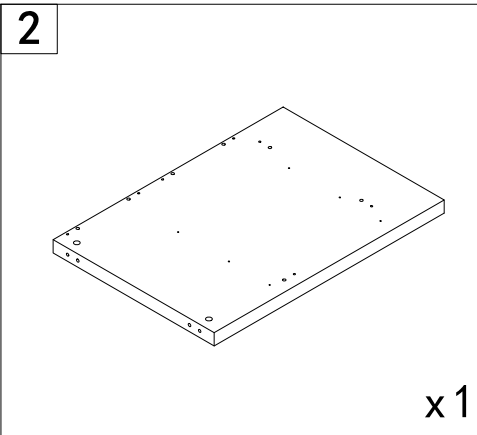
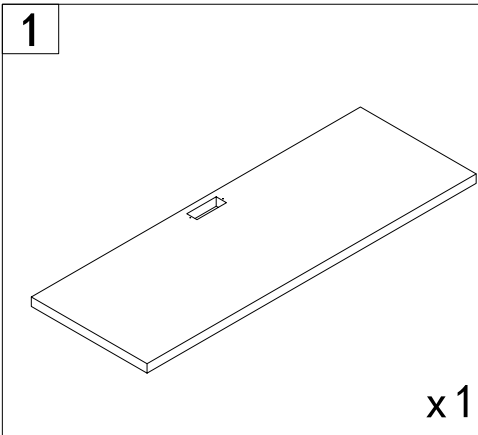
WARRANTY INFORMATION

- Do not expose the surfaces to direct sunlight or to extreme environmental conditions.
- Clean the surfaces preferable with a clean damp cloth, then dry with a clean towel.
- Do not use solvents or abrasive materials to clean the unit. If you decide to use a cleaning agent, test first on an area hidden from view.
- Replacement parts might be available to you at no charge, with an original proof of purchase and where a defect has arisen, wholly or substantially, as a result of faulty manufacturing, parts or workmanship during the Warranty Period.
- The warranty does not extend to regular wear and tear, nor the manufacturer assumes liability for damages or consequences due to accidents, incorrect assembly, negligence, improper use, modifications, or not heeding the above warnings.

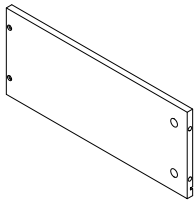
Thank you so much for your support! We hope you enjoy your purchase. If there is any damage or missing accessories, please feel free to contact us for free replacement or refund. You can quickly find us through **Customer Service Line: +1-888-292-2399**
Customer Service Email: service7770@outlook.com with your order number, we will try our best to solve this problem for you !

Thank you !



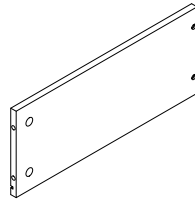


16



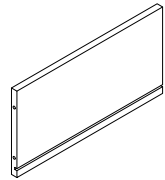
x2

17



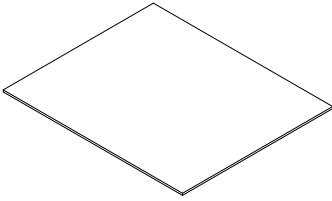
x2

18



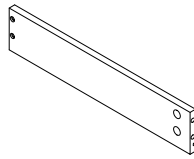
x2

19



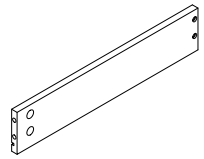
x4

20



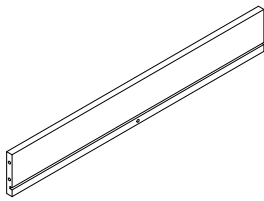
x1

21



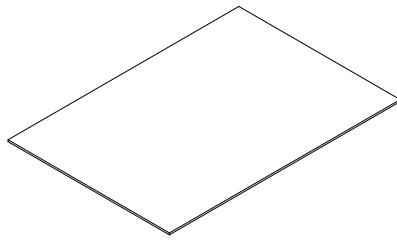
x1

22



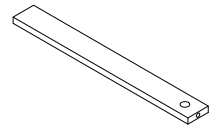
x1

23



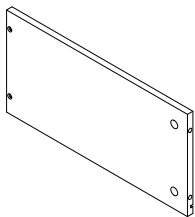
x1

24



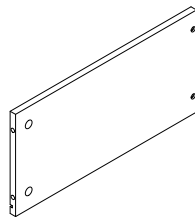
x1

25



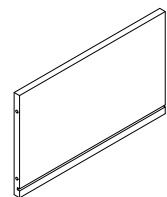
x2

26

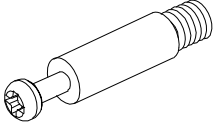
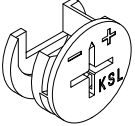
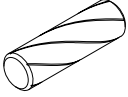

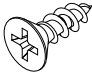
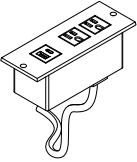

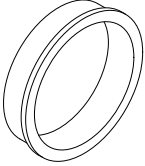


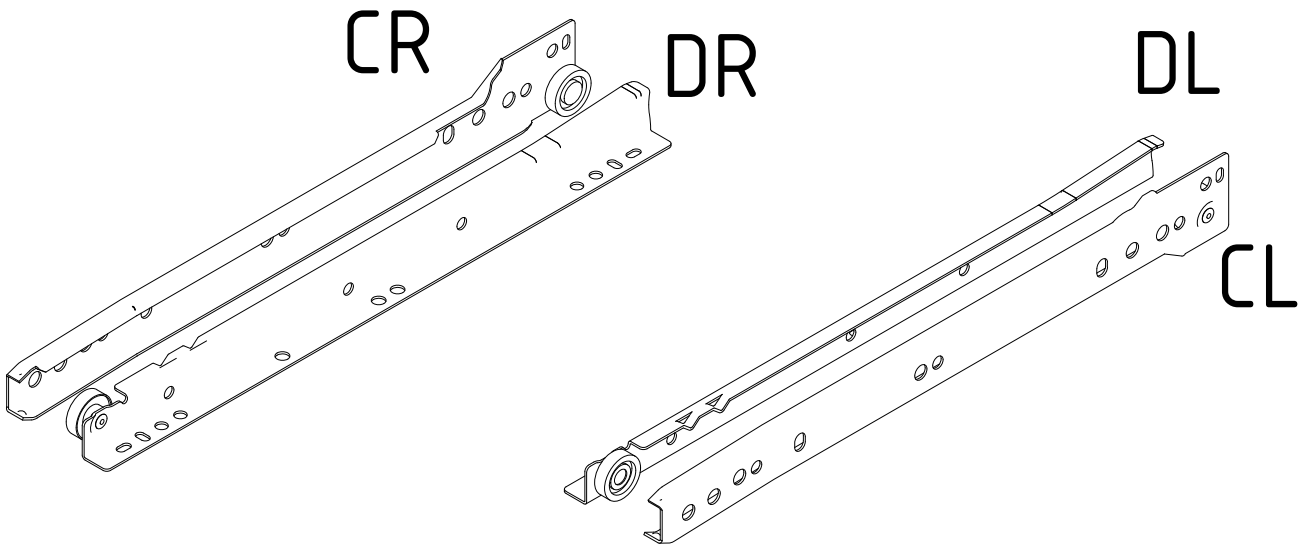
x2

27



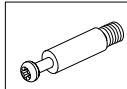
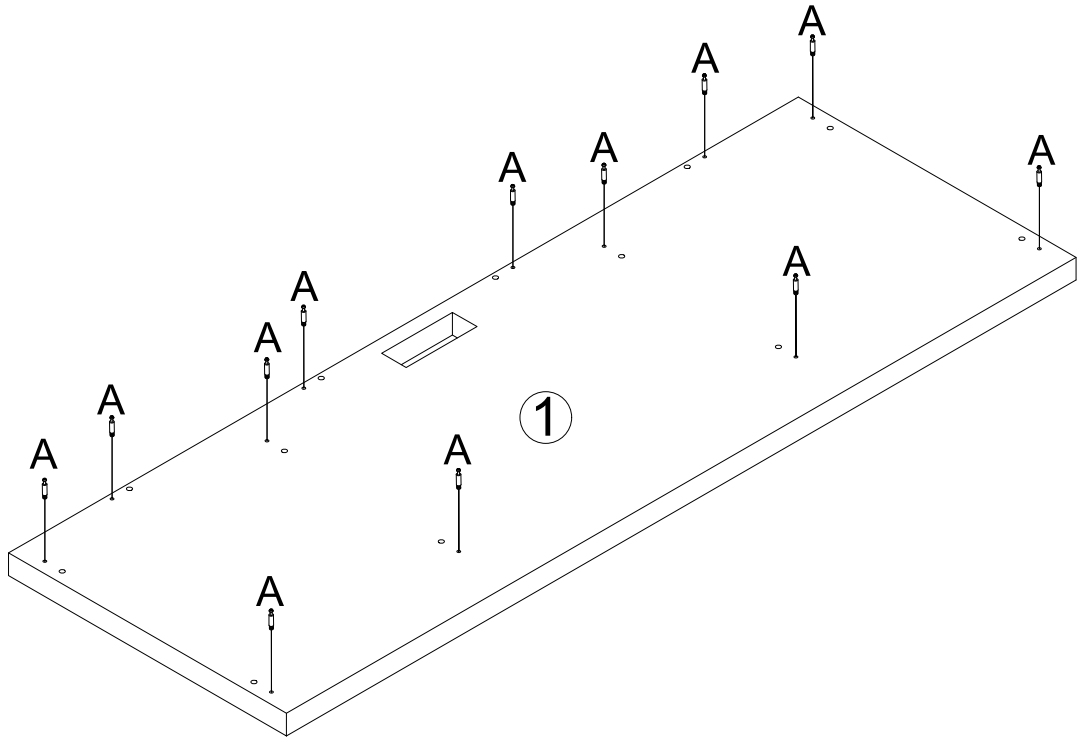
x2

<p>A</p>  <p>55PCS</p>	<p>B</p>  <p>55PCS</p>	<p>C</p>  <p>φ6*30MM 46PCS</p>	<p>D</p>  <p>M4*35MM 29PCS</p>
<p>E</p>  <p>M3*12MM 60PCS</p>	<p>F</p>  <p>1PCS</p>	<p>G</p>  <p>M3*16MM 2PCS</p>	<p>H</p>  <p>1PCS</p>



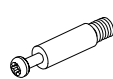
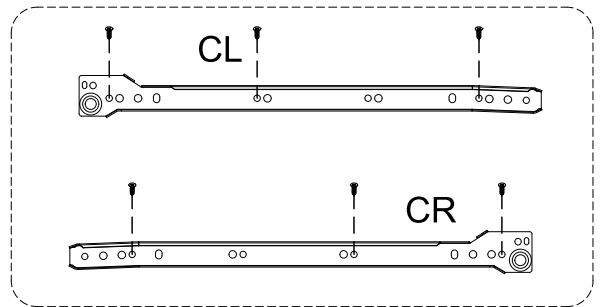
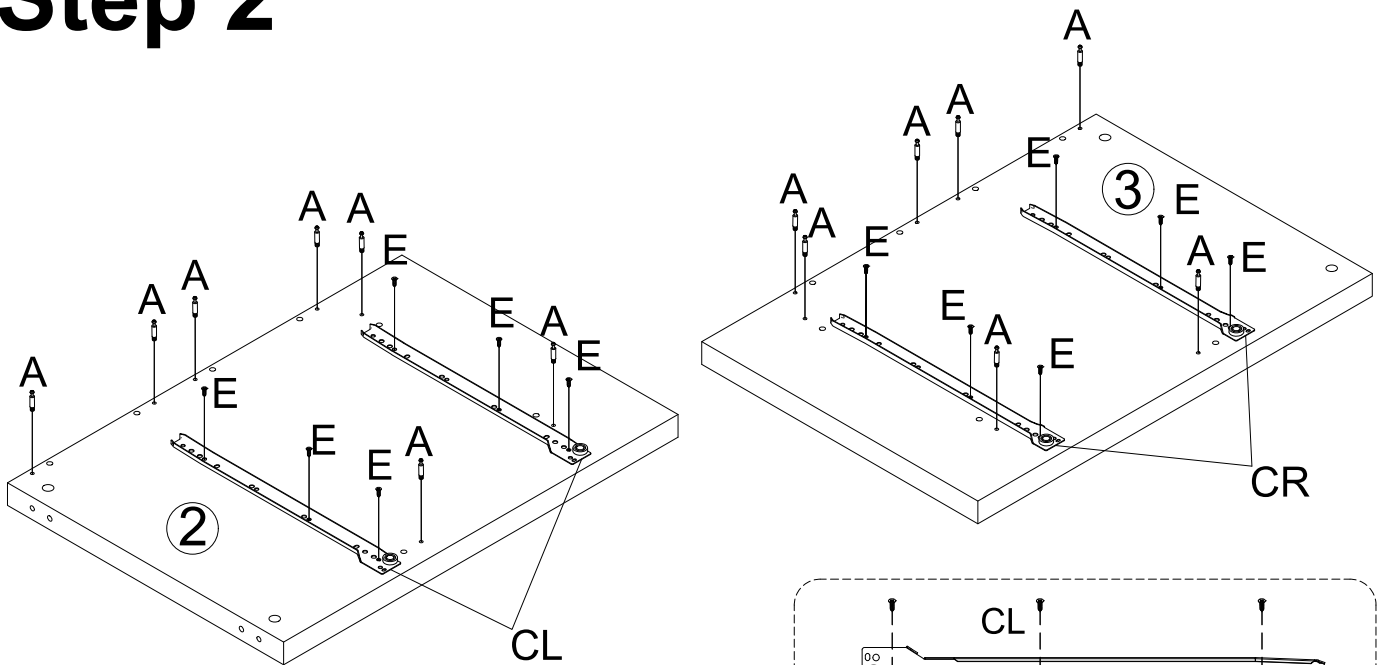
x 5

Step 1



A X 12PCS

Step 2

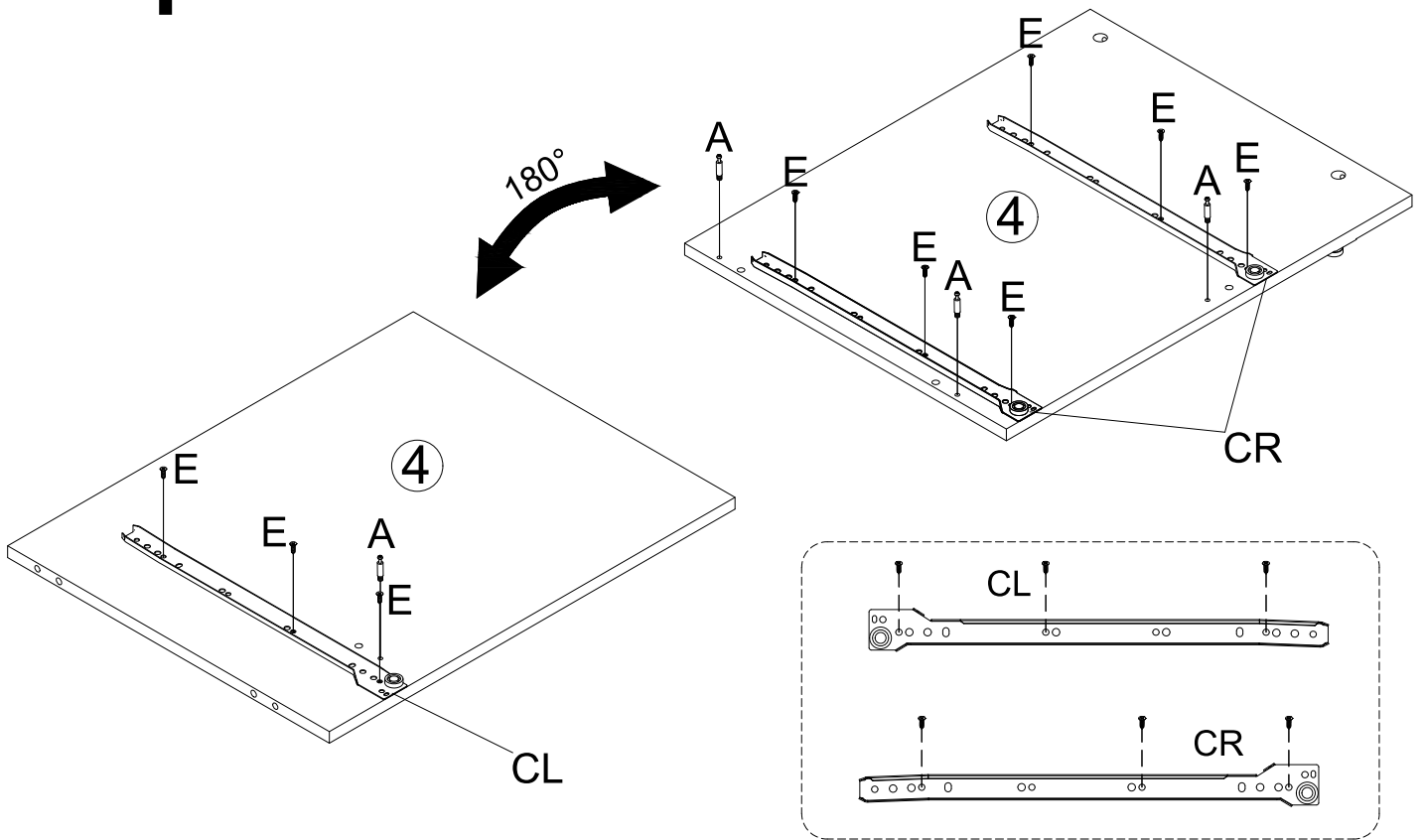


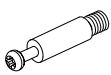

A X 14PCS



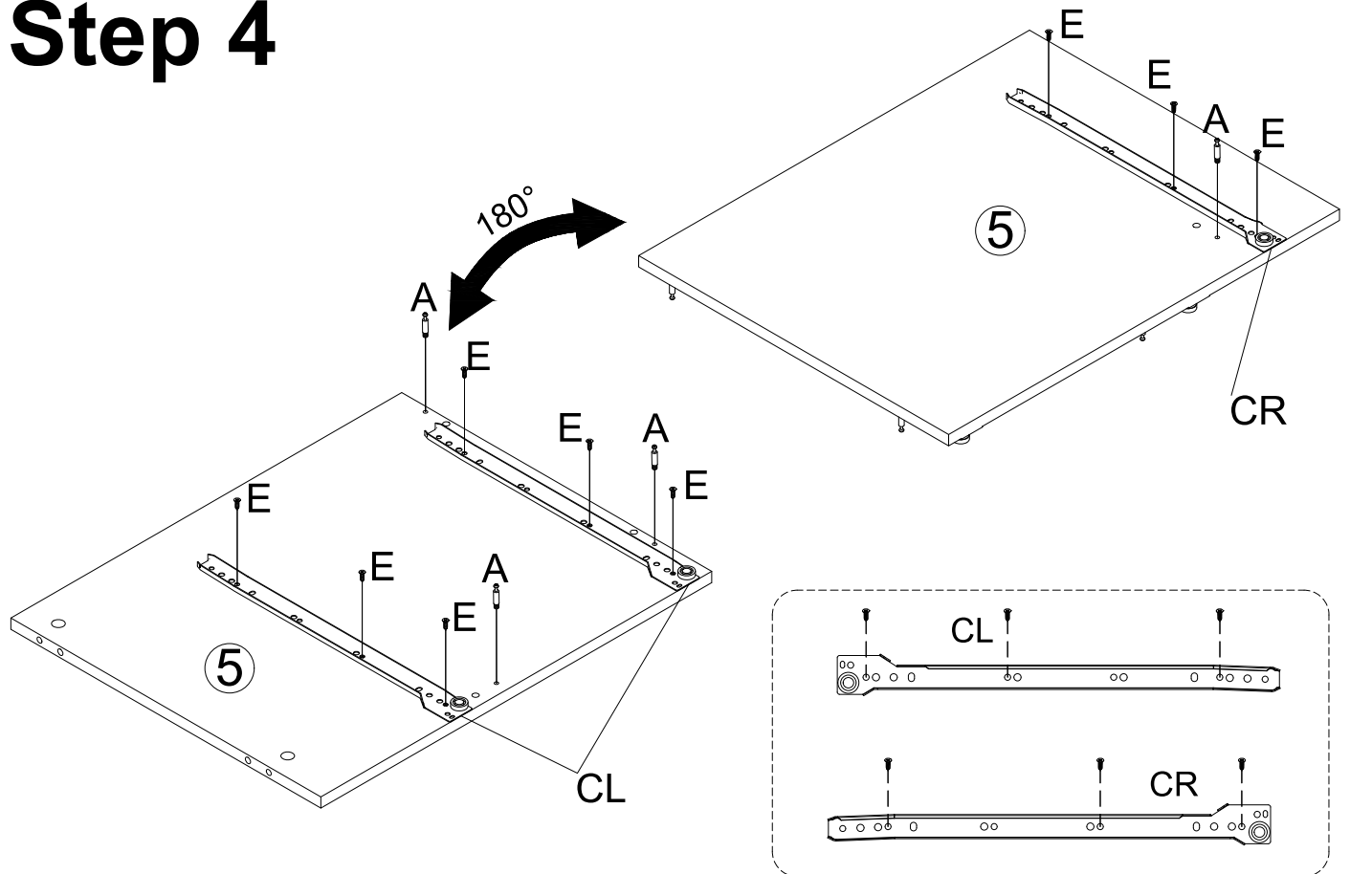
E X 12PCS

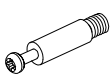

Step 3



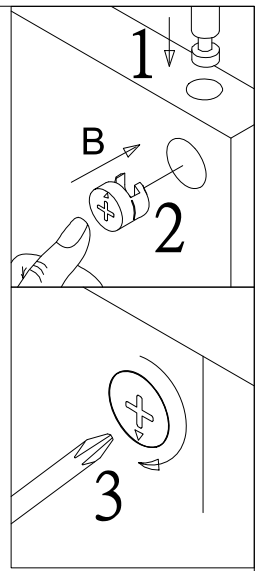
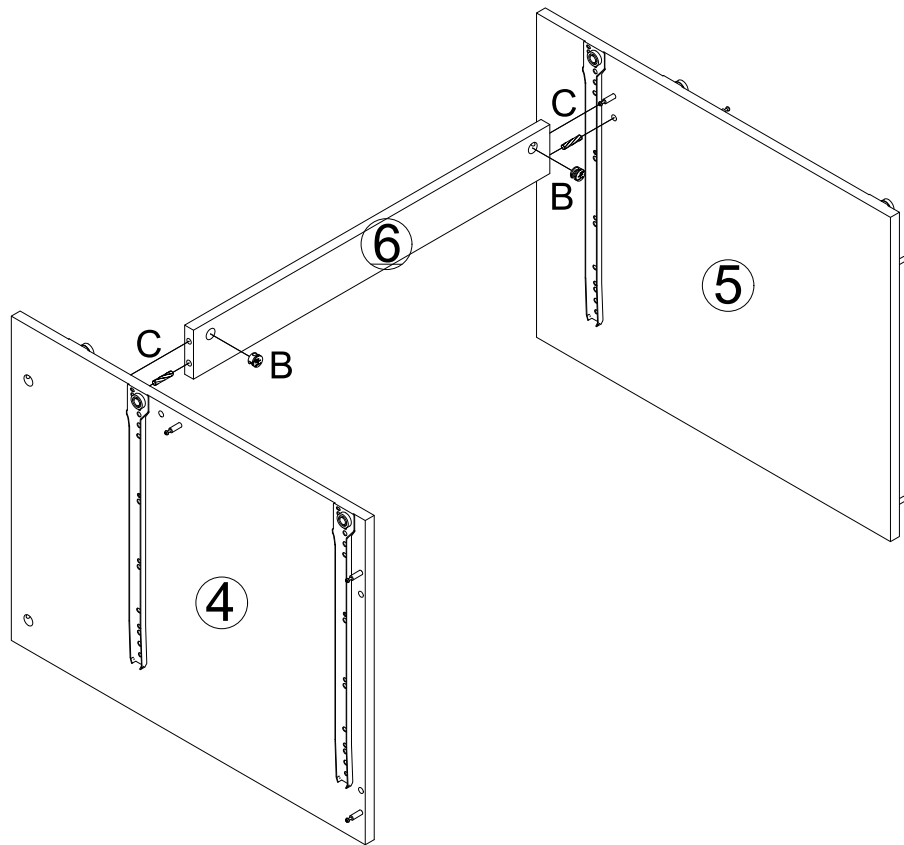
	A X 4PCS		E X 9PCS
---	----------	---	----------



Step 4



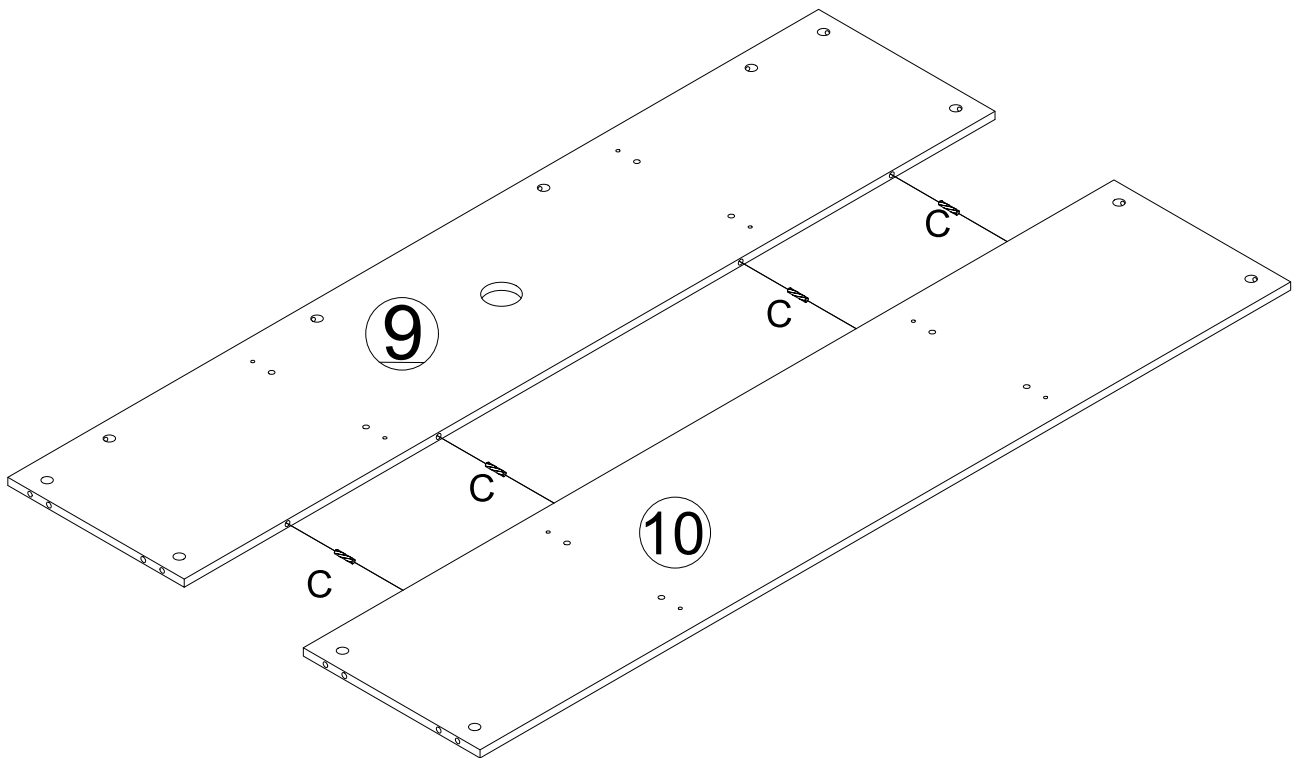
	A X 4PCS		E X 9PCS
---	----------	---	----------


Step 5



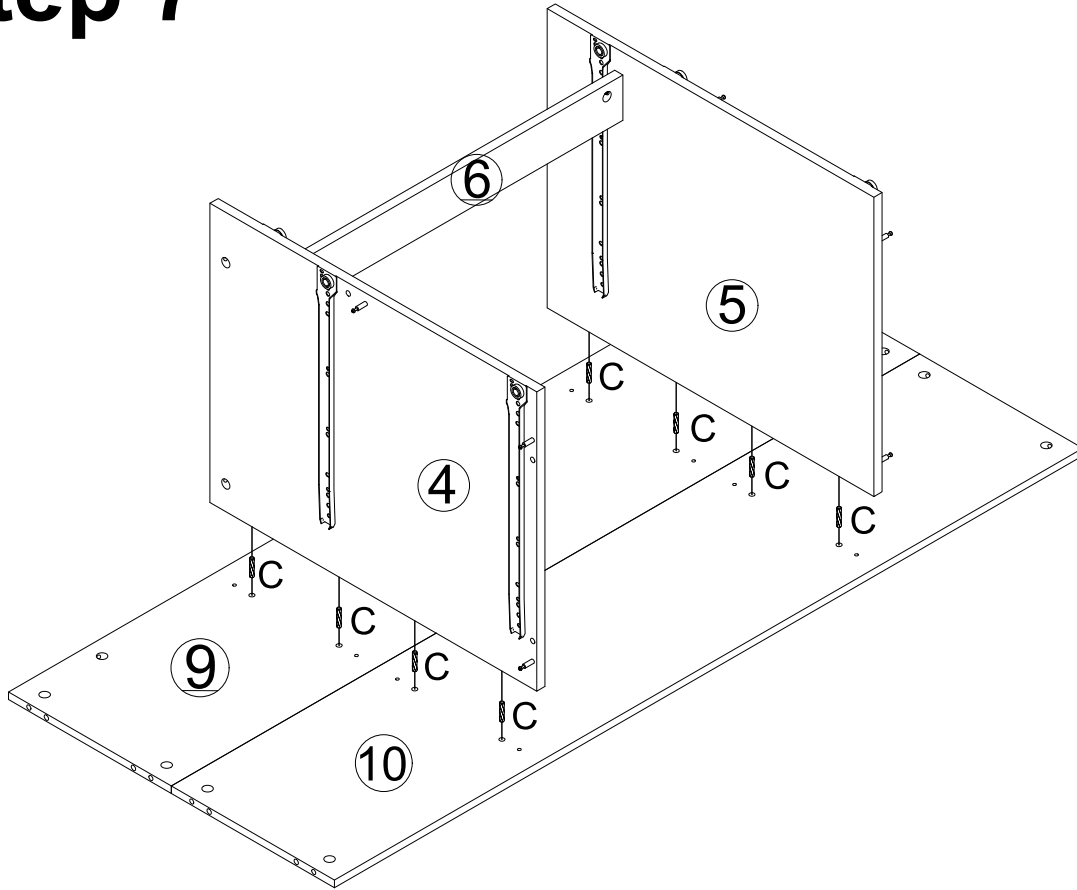
	B X 2PCS		C X 2PCS
---	----------	---	----------

Step 6



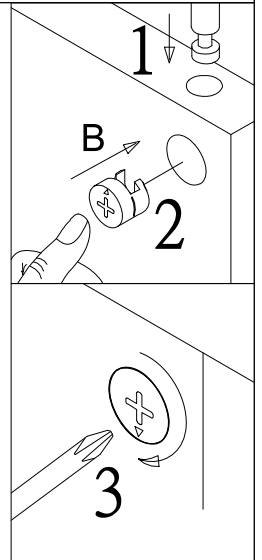
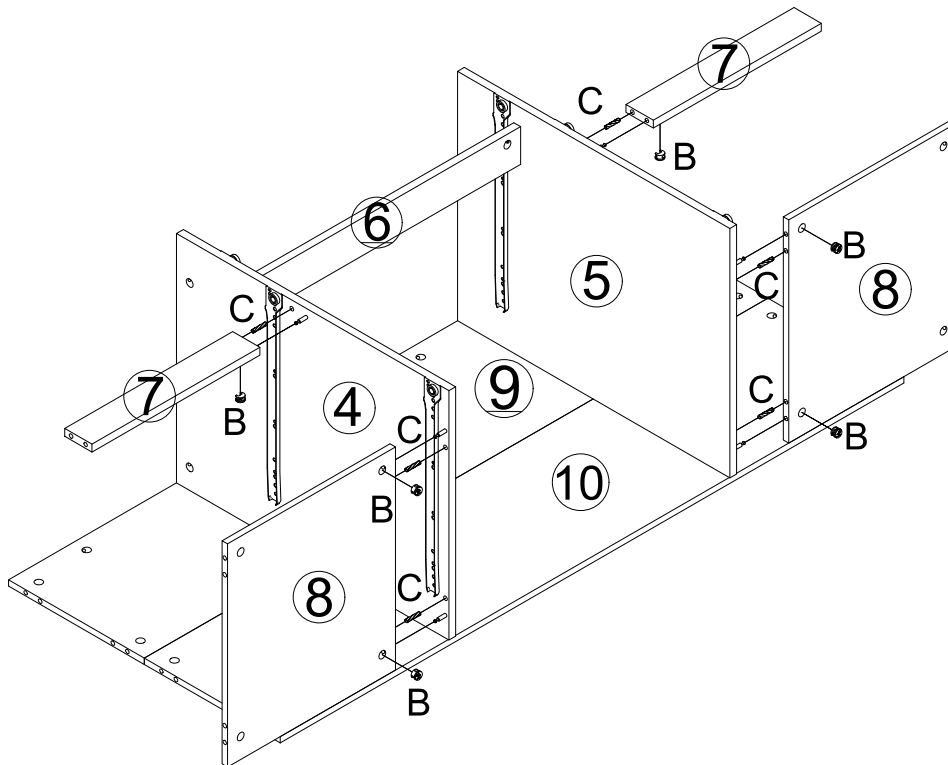
	C X 4PCS
---	----------


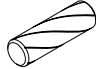
Step 7



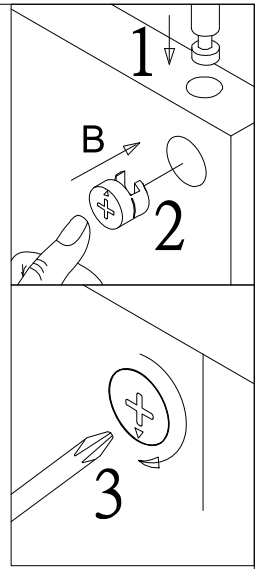
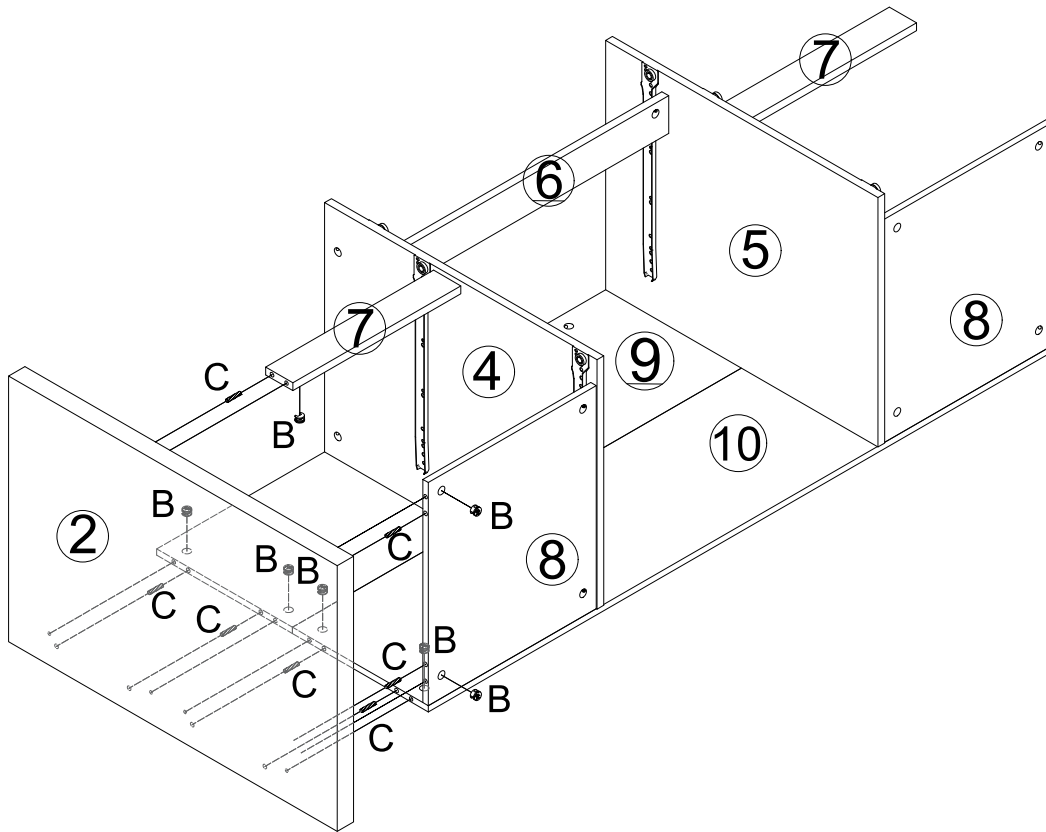
	C X 8PCS
---	-----------------



Step 8



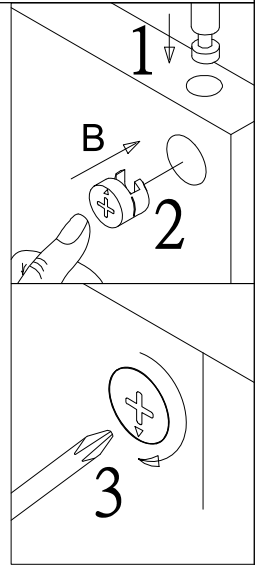
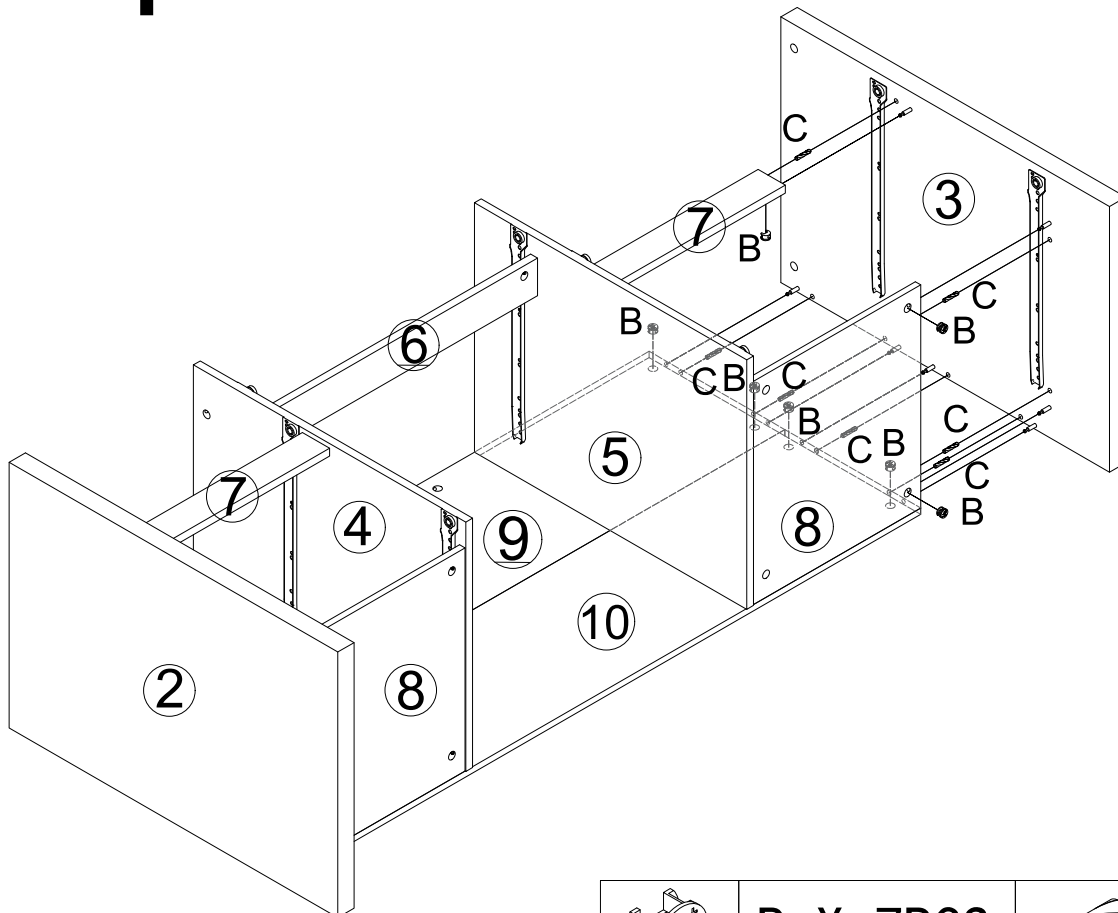
	B X 6PCS		C X 6PCS
---	-----------------	---	-----------------



Step 9



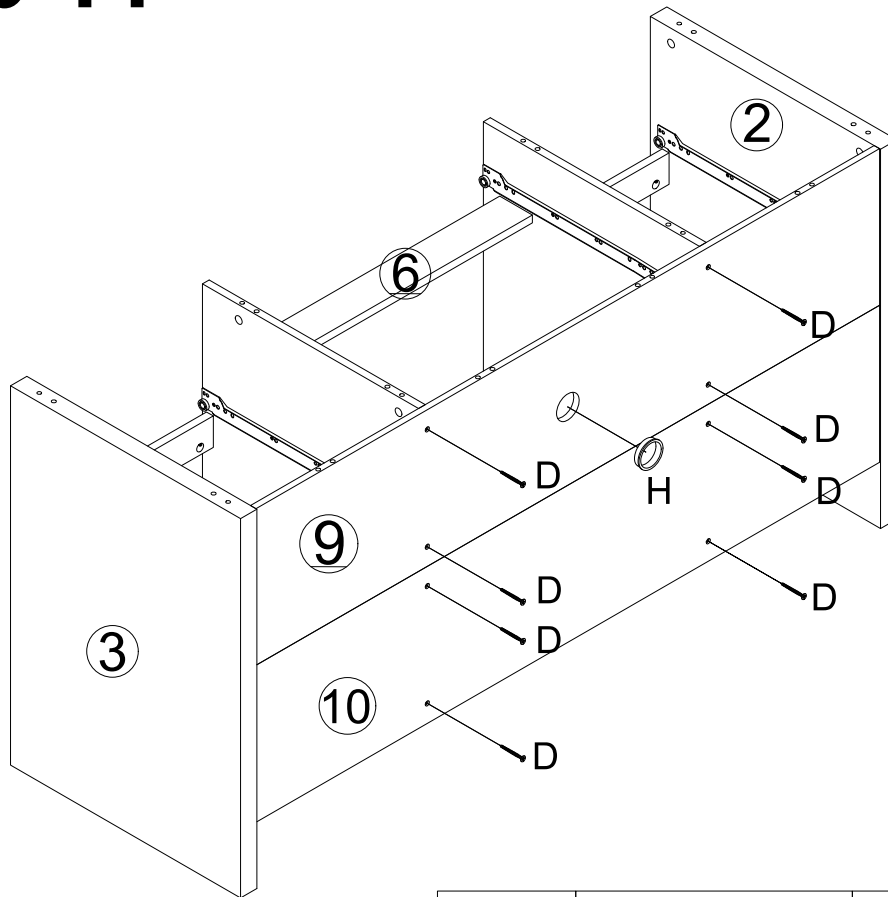
	B X 7PCS		C X 7PCS
---	----------	---	----------

Step 10



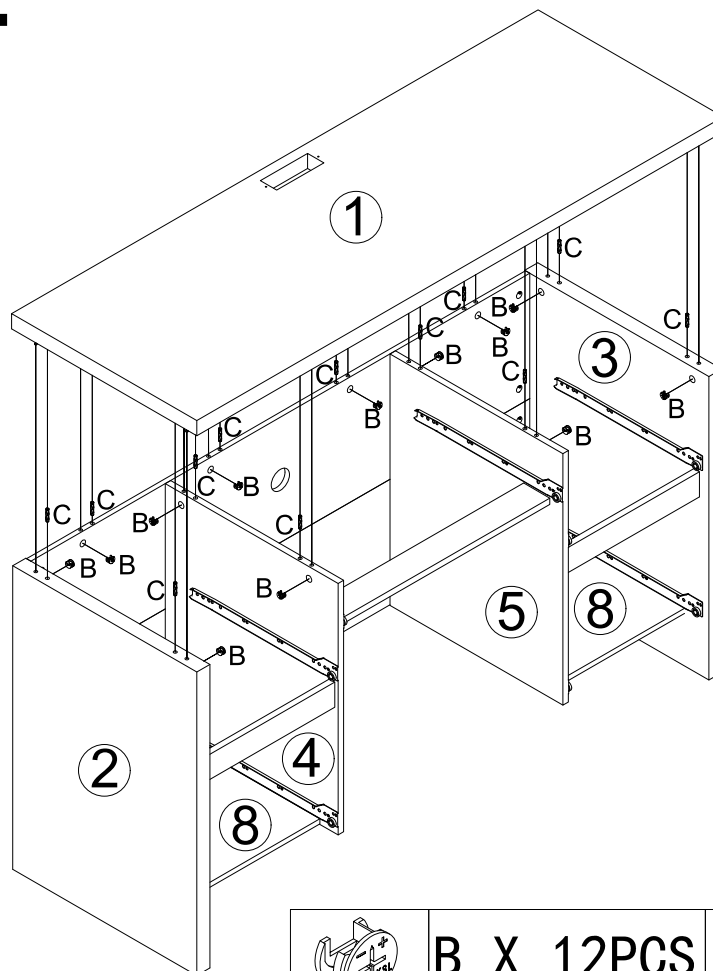
	B X 7PCS		C X 7PCS
---	----------	---	----------


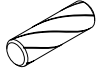
Step 11



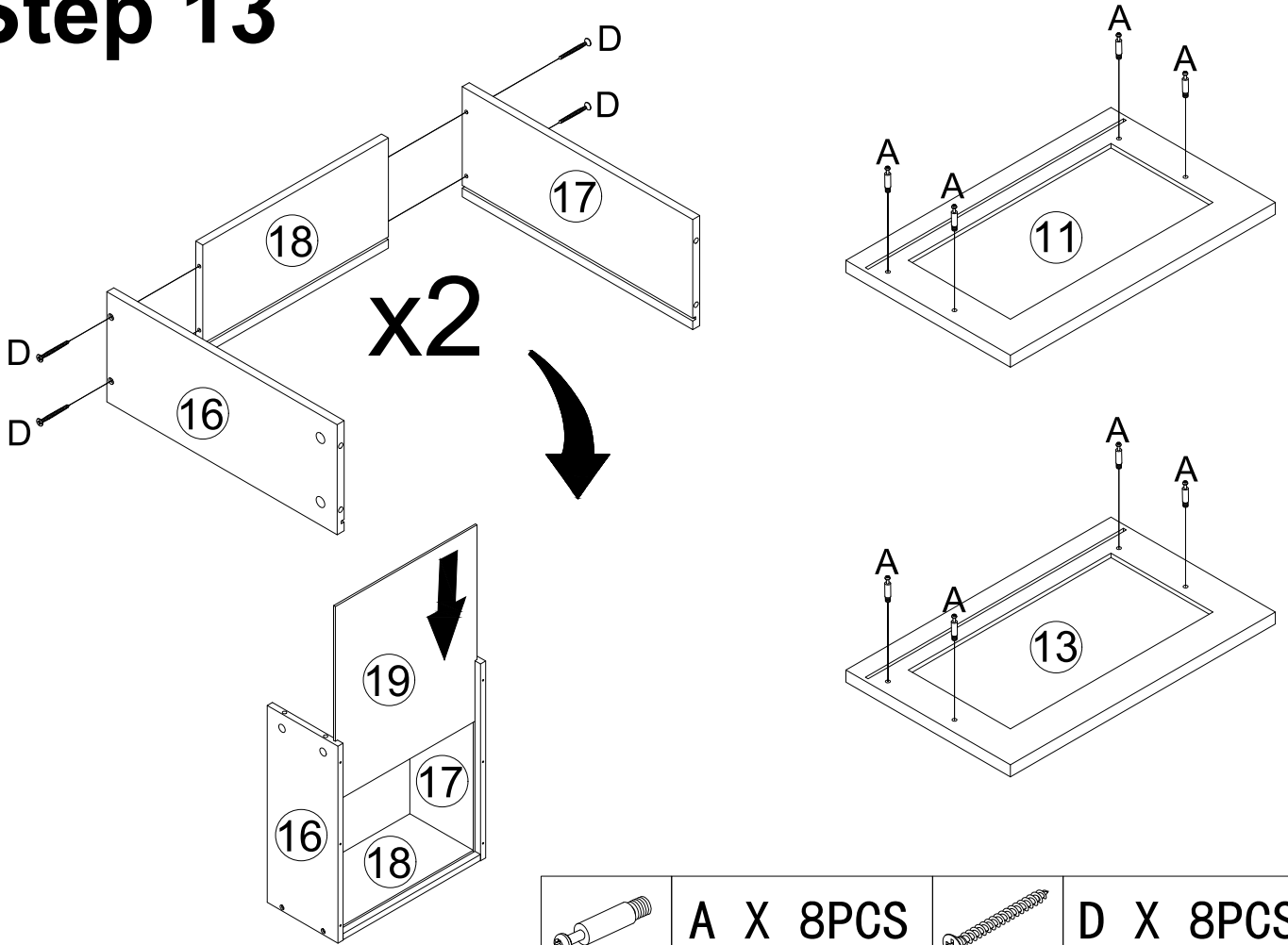
	D X 8PCS		H X 1PCS
---	----------	---	----------

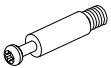
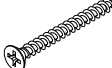
Step 12



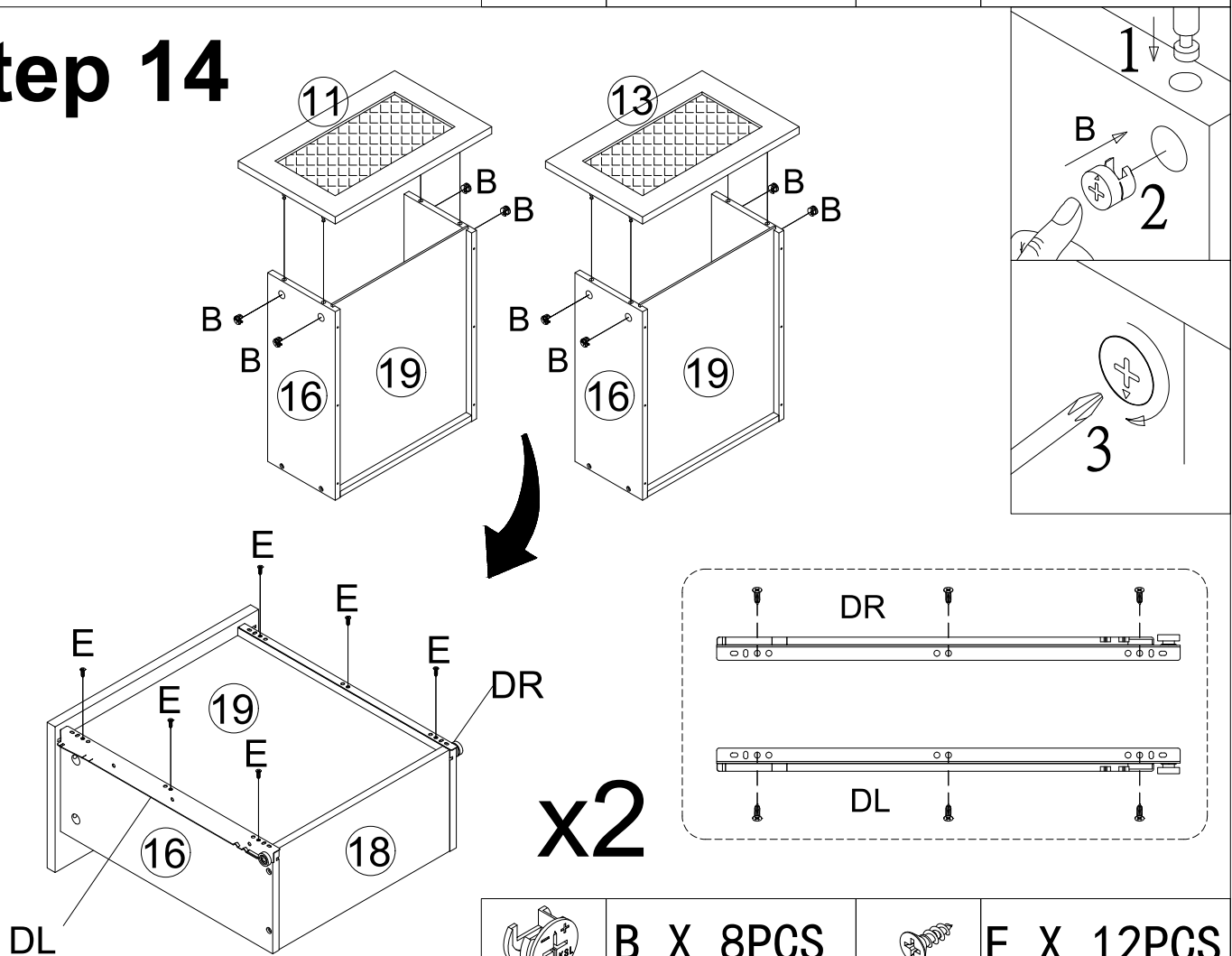
	B X 12PCS		C X 12PCS
---	-----------	---	-----------


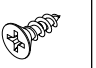
Step 13



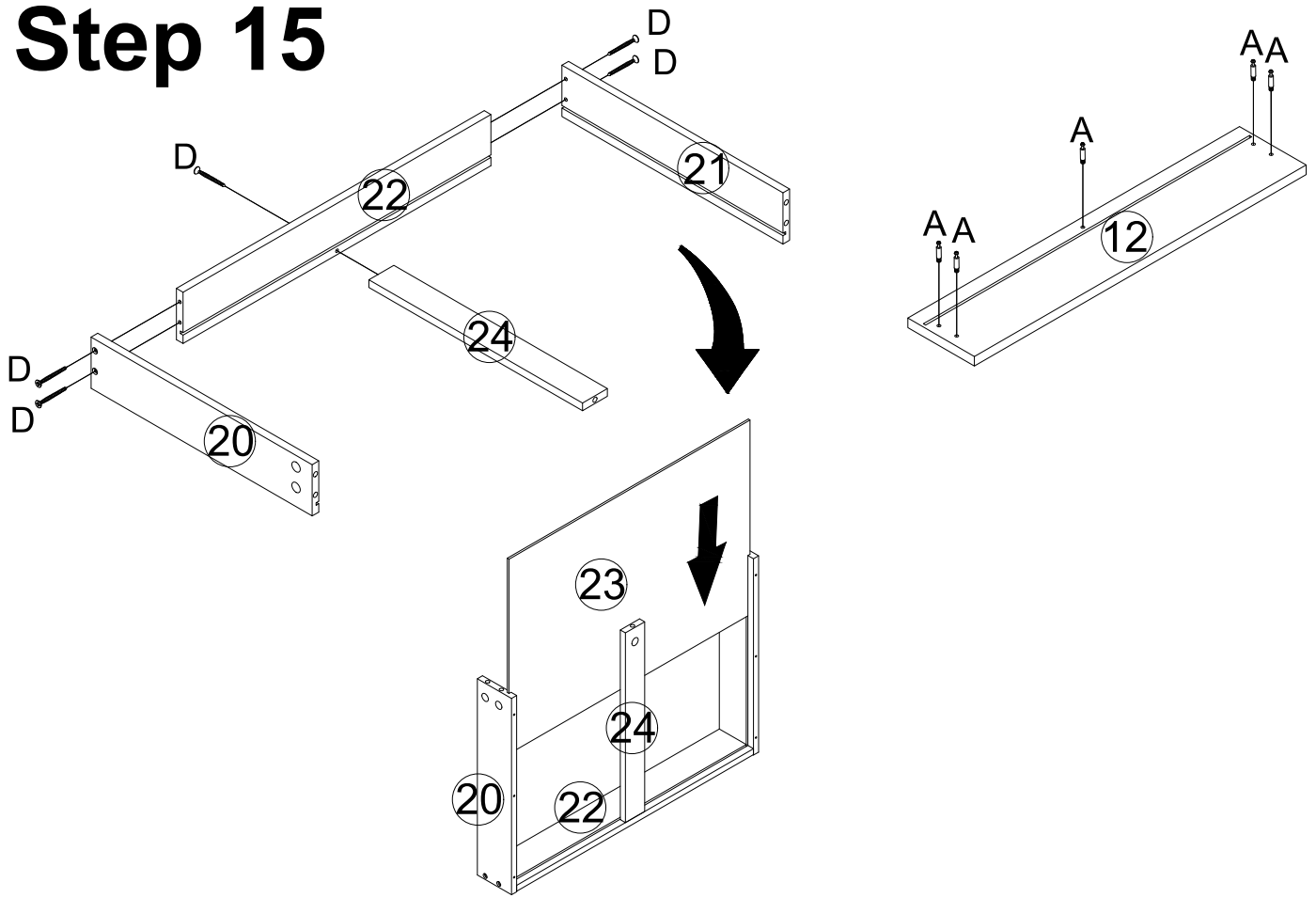
	A X 8PCS		D X 8PCS
---	----------	---	----------

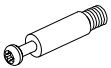
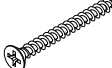
Step 14



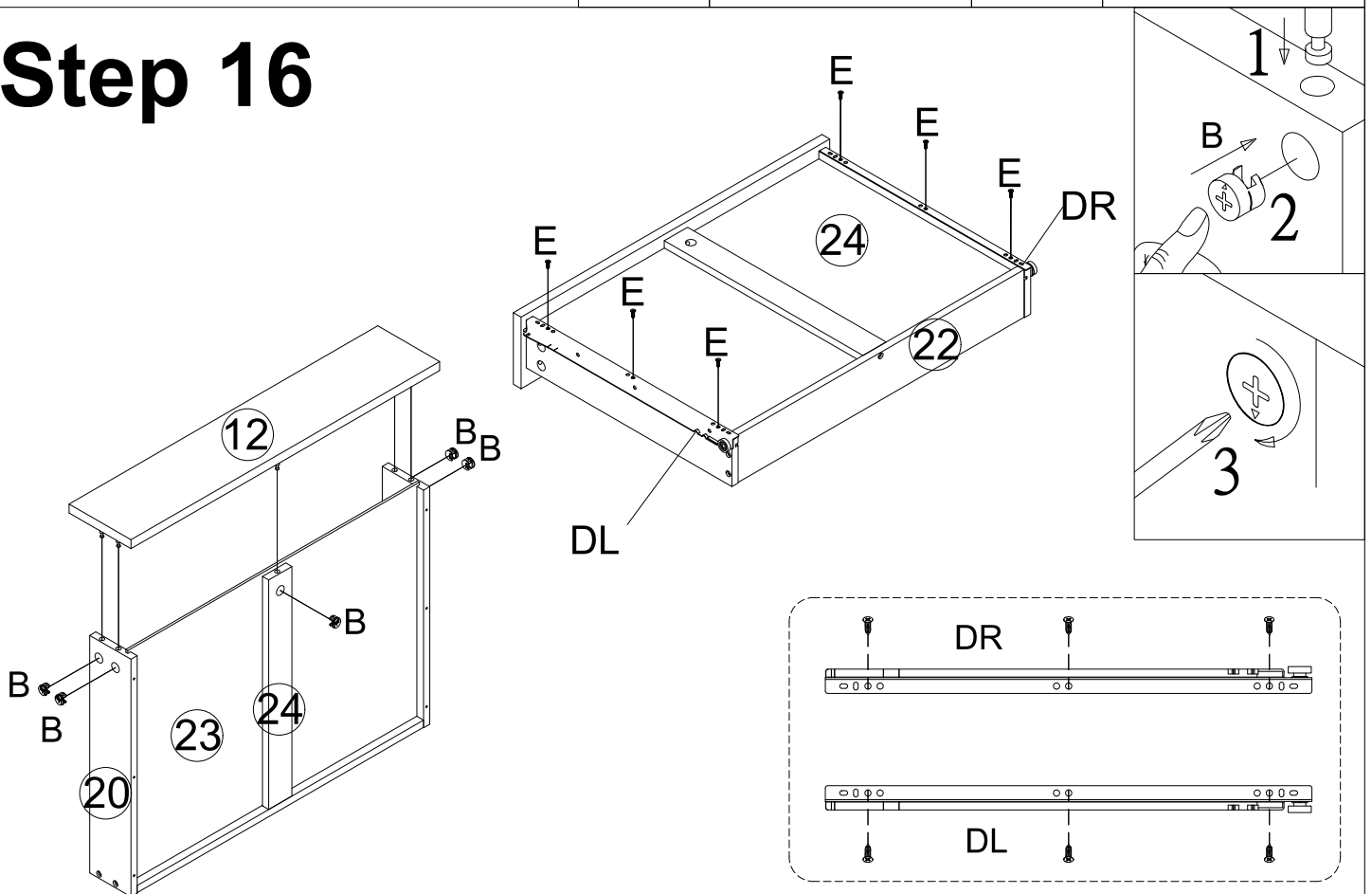
	B X 8PCS		E X 12PCS
---	----------	---	-----------


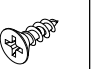
Step 15



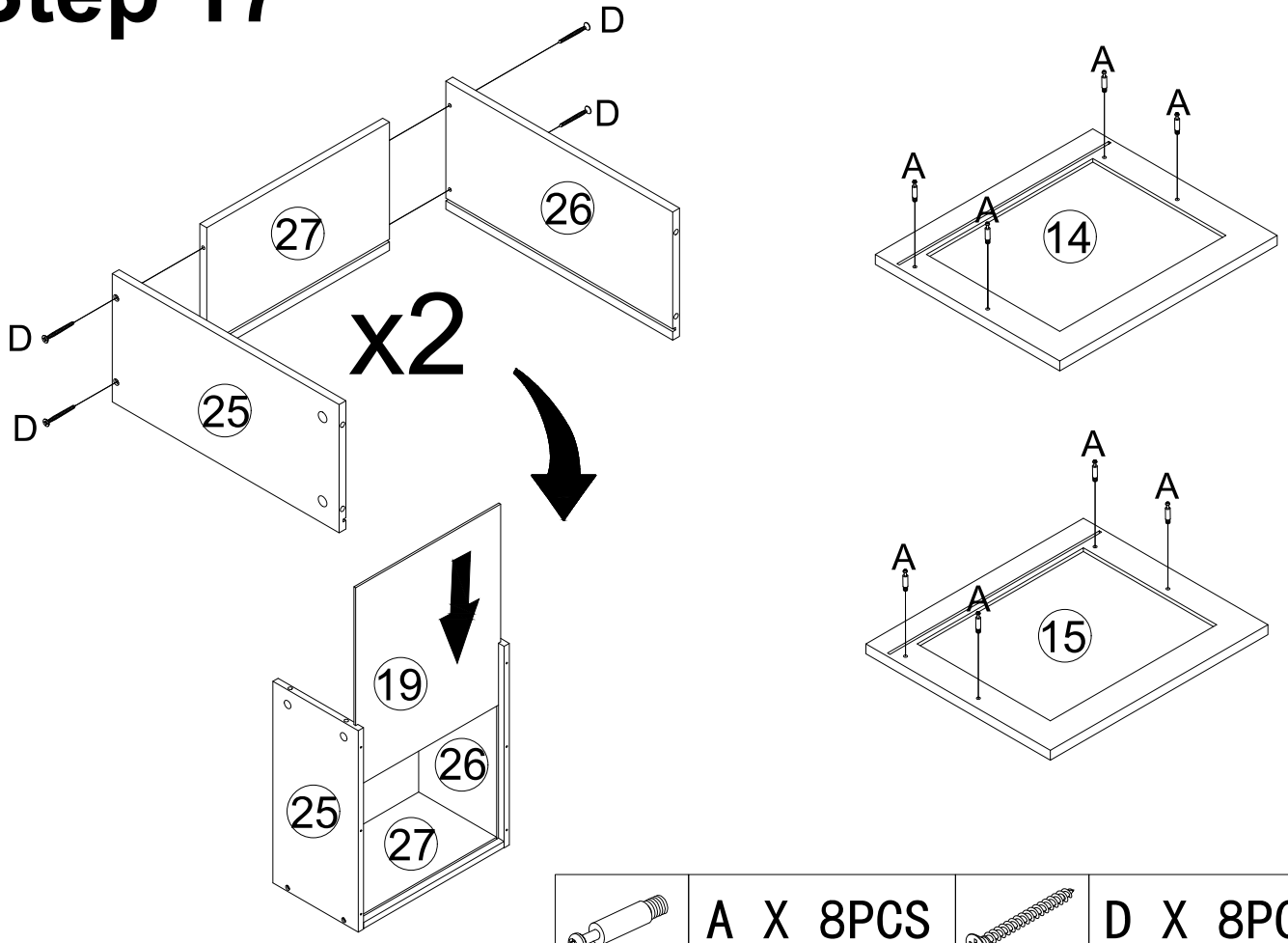
	A X 5PCS		D X 5PCS
---	----------	---	----------

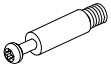
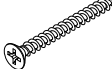
Step 16



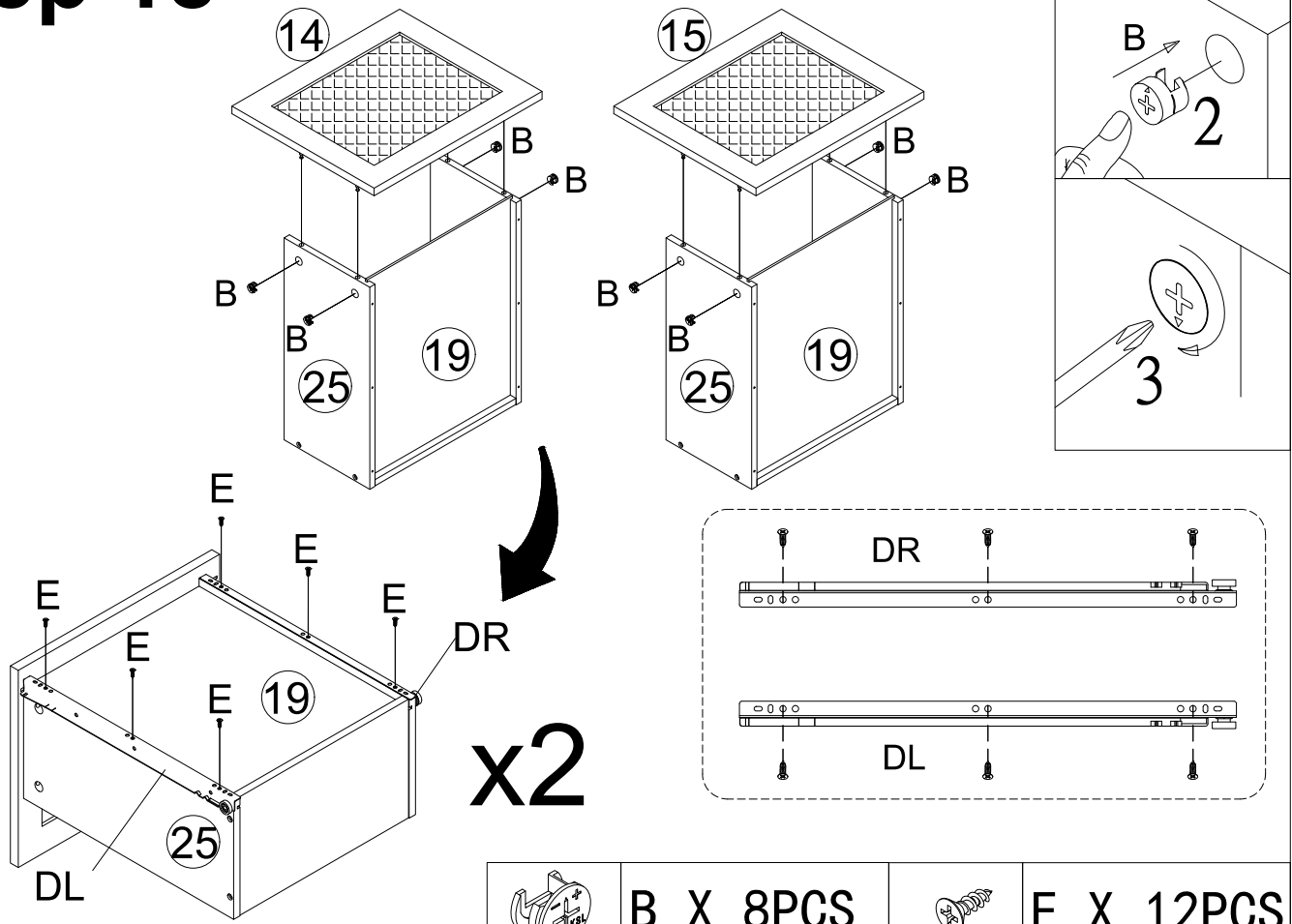
	B X 5PCS		E X 6PCS
---	----------	---	----------



Step 17



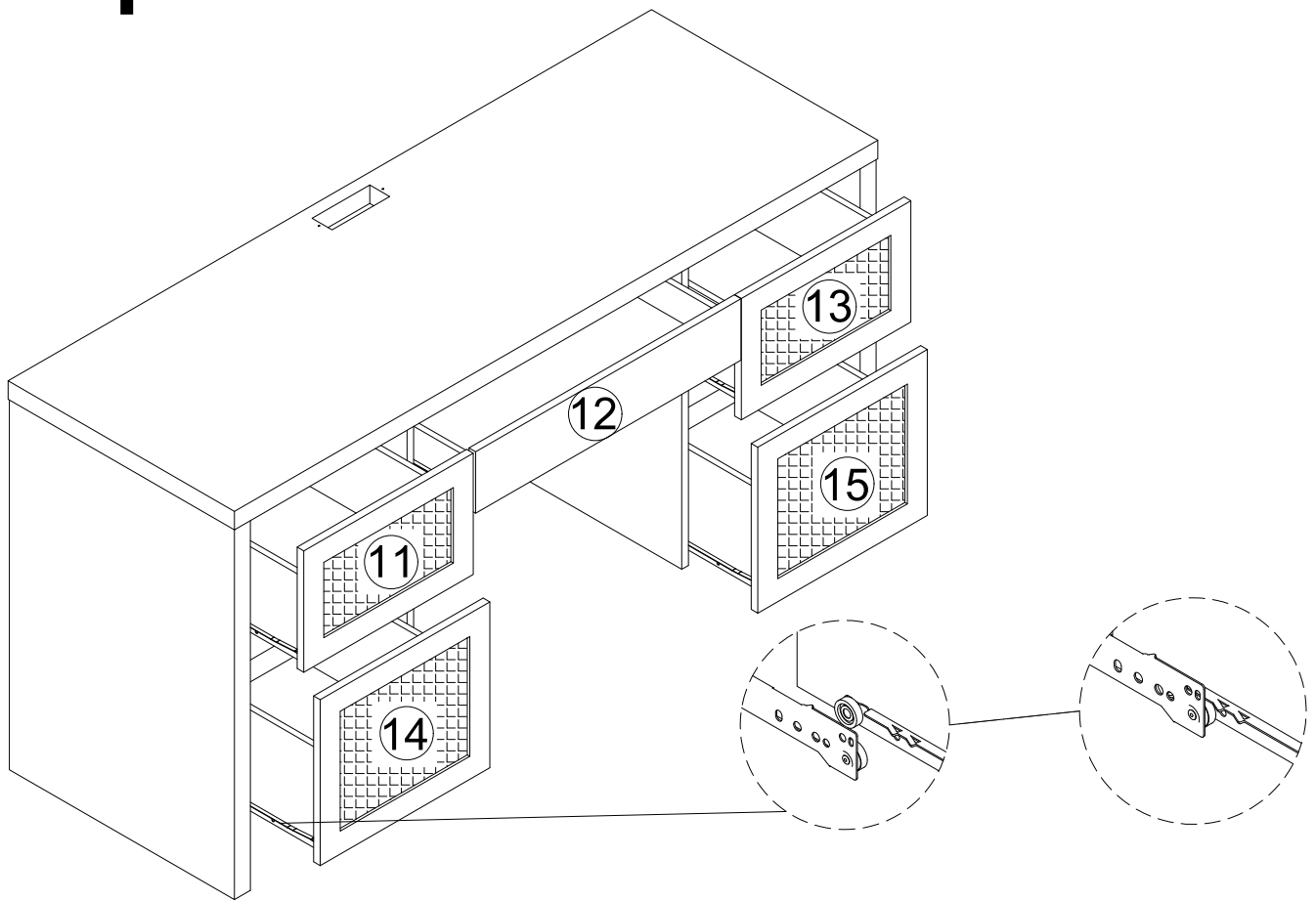
	A X 8PCS		D X 8PCS
---	----------	---	----------

Step 18

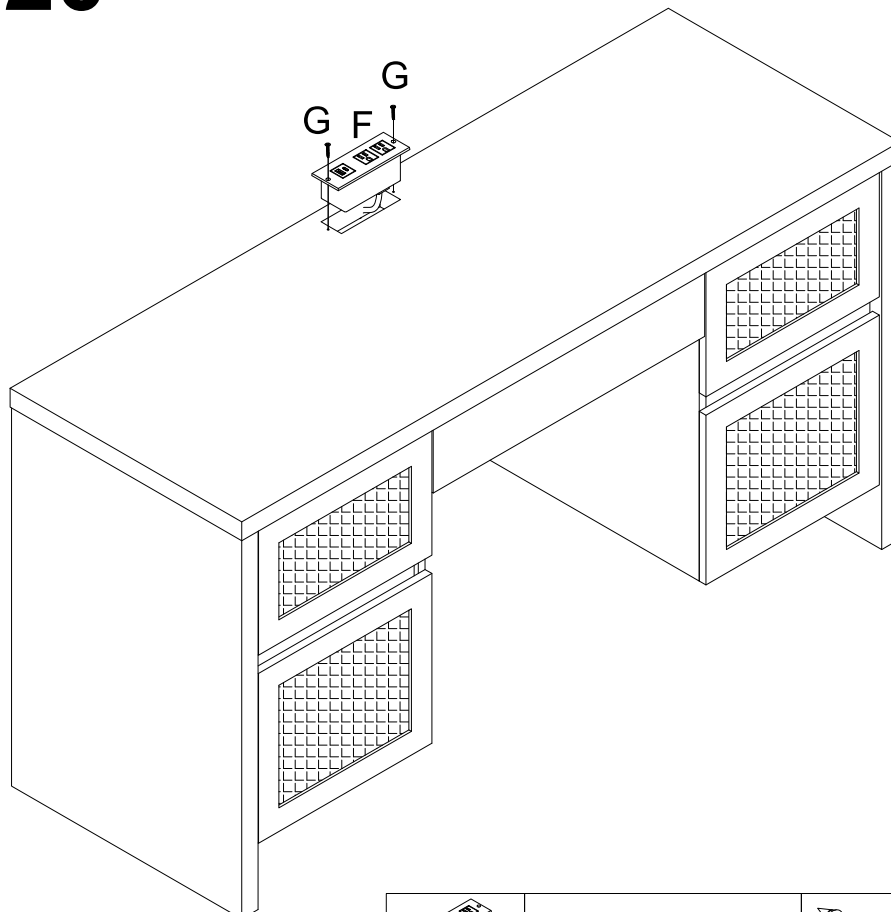


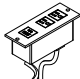

	B X 8PCS		E X 12PCS
---	----------	---	-----------

Step 19



Step 20



	F X 1PCS		G X 2PCS
---	----------	---	----------