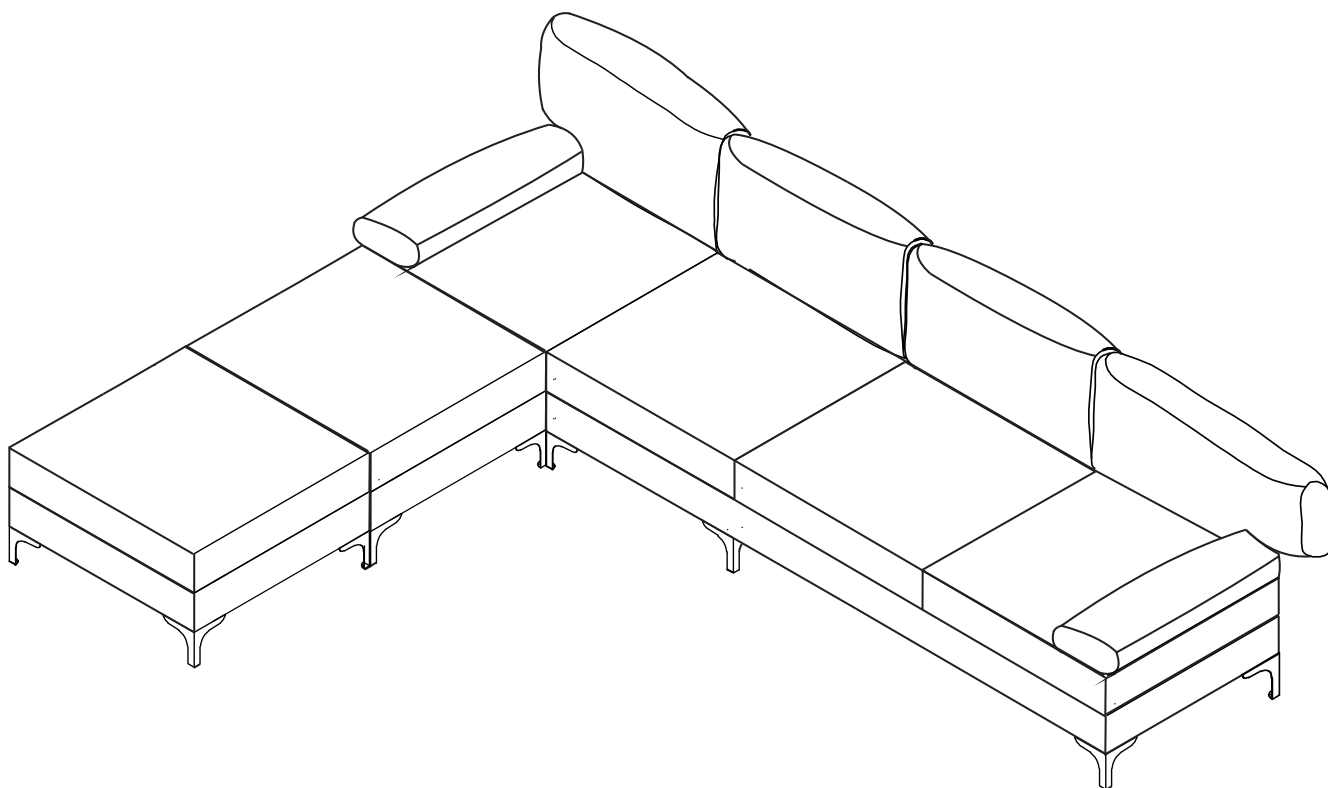


ASSEMBLY INSTRUCTIONS

SPU
A503 Modular Sofa



TIME



2 OF PEOPLE



DIFFICULTY

NOTICE

Instruction Booklet - Important Safety Information

Thank you for choosing our product. Please review this booklet carefully for essential safety information and keep it for future reference.

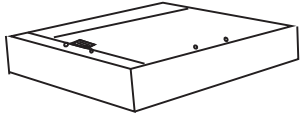
- Upon receiving the product, ***ensure all parts are present and intact*** before proceeding with installation. Follow the entire installation instructions provided.
- During installation, exercise caution and refrain from immediately tightening screws. Secure all screws to 80% before final tightening.
- The item has been divided into **3** packages. If your multi-package order does not arrive simultaneously, please allow 1-3 working days for the remaining package to arrive promptly.
- Note: Cushions are ***compressed*** and cannot be recompressed once opened. Returns are accepted only for items in their ***original, unopened condition***.



Before installation, please check that the parts are all included !

Carton A

Materials ▾



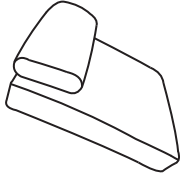
LEFT SEAT FRAME (x1)



L/R SIDE BACKREST(x2)



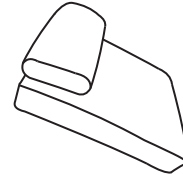
LEFT BACK CUSHION(x1)



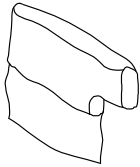
LEFT SEAT CUSHIONS (X1)



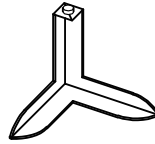
RIGHT SEAT FRAME (x1)



RIGHT SEAT CUSHIONS (X1)



RIGHT BACK CUSHION(x1)



METAL LEGS(X8)

1



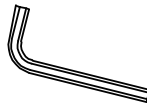
Screws (x16)

2



Gasket (x16)

3



Allen key x1

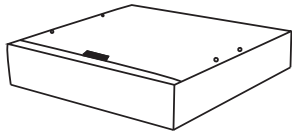
4



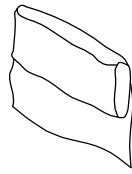
Metal connectors (x2)

Carton B

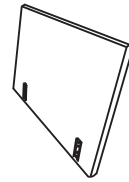
Materials ▾



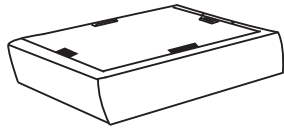
MIDDLE SEAT FRAME (x1)



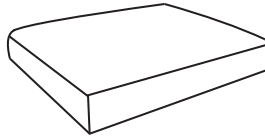
MIDDLE BACK CUSHION (x1)



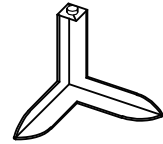
MIDDLE BACKREST(X1)



OTTOMAN SEAT FRAME(x1)



SEAT CUSHIONS (X2)



METAL LEGS(X8)

1



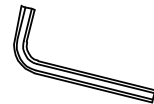
Screws (x16)

2



Gasket (x16)

3



Allen key x1

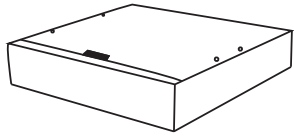
4



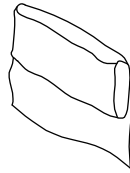
Metal connectors (x5)

Carton C

Materials ▾



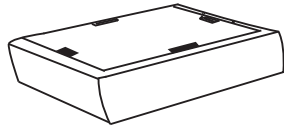
MIDDLE SEAT FRAME (x1)



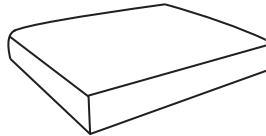
MIDDLE BACK CUSHION (x1)



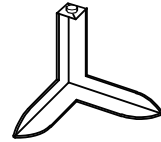
MIDDLE BACKREST(X1)



OTTOMAN SEAT FRAME(x1)



SEAT CUSHIONS (X2)



METAL LEGS(X8)

1



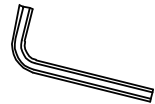
Screws (x16)

2



Gasket (x16)

3



Allen key x1

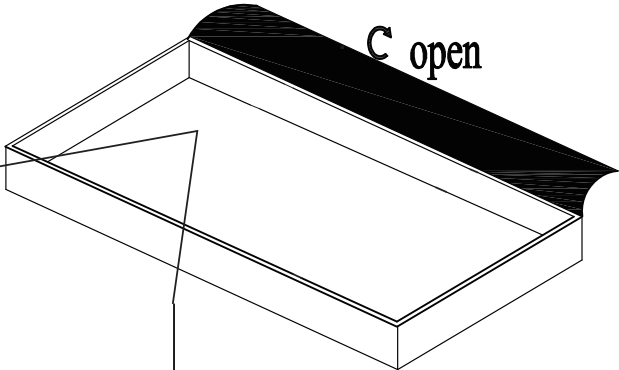
4



Metal connectors (x5)

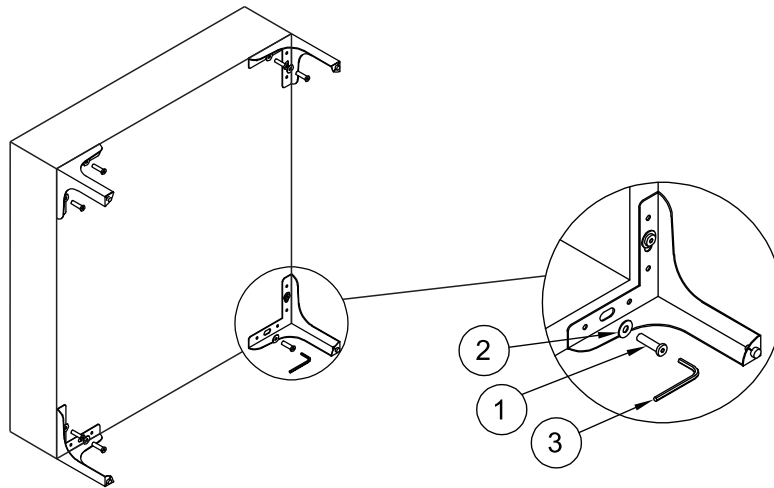
Open up Velcro of Non-Woven Fabric cover on the bottom to remove hardware legs and parts

1. Please open the black woven fabric with Velcro closure on the bottom of the frame.
2. After removing the cushion from the compress bag, please allow air to flow through the cushion for few days. You can try to fluff cushion by push in and nush out on all four sides ofthe cushion.
3. Please allow at least 24 hours for the cushion to recover to its natural state after removingfrom the package.

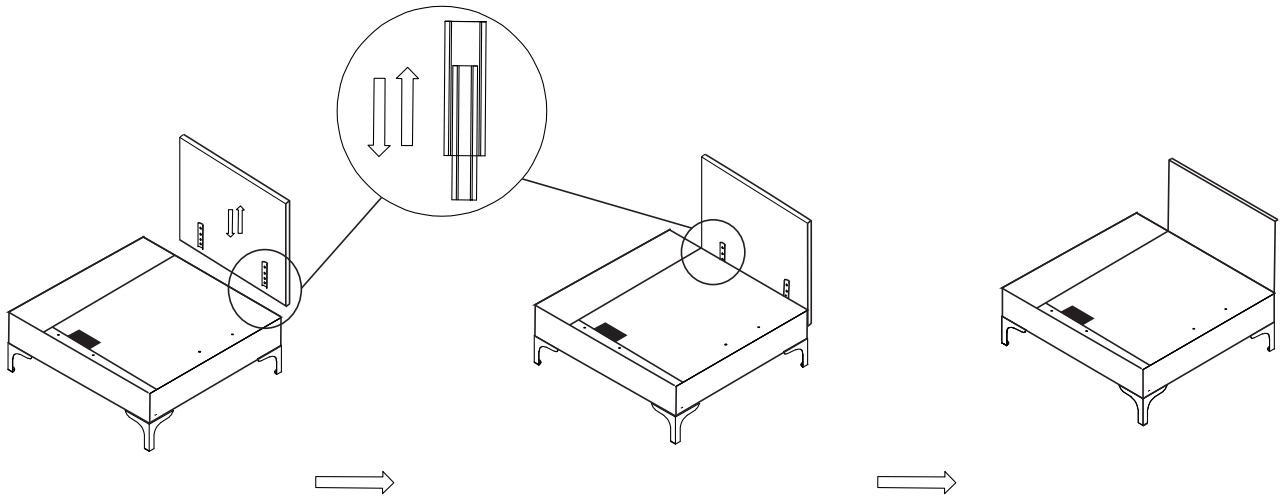


Installation Steps

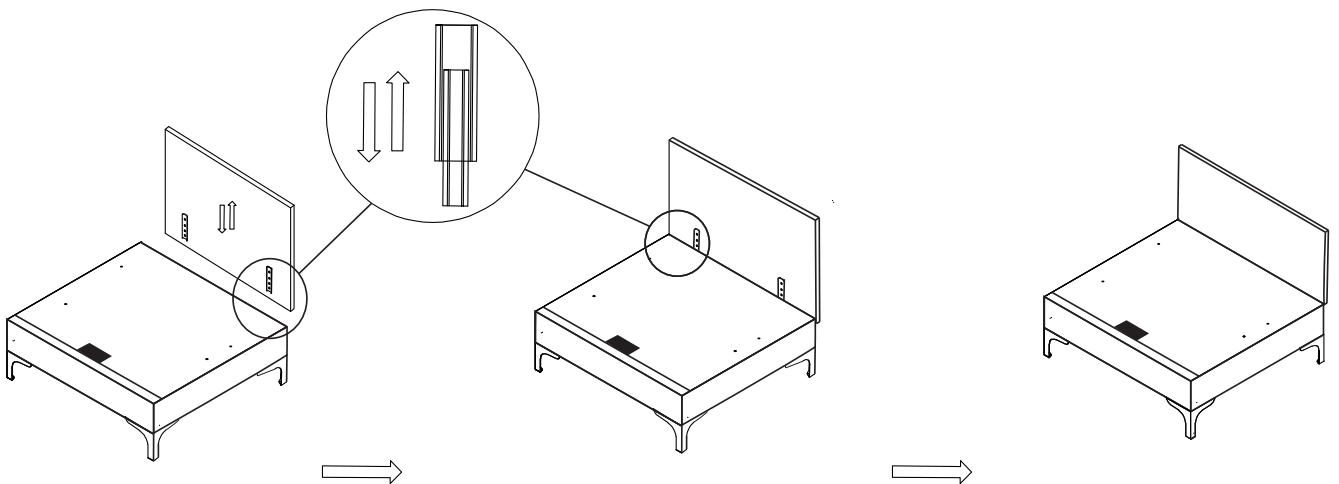
Materials ▶



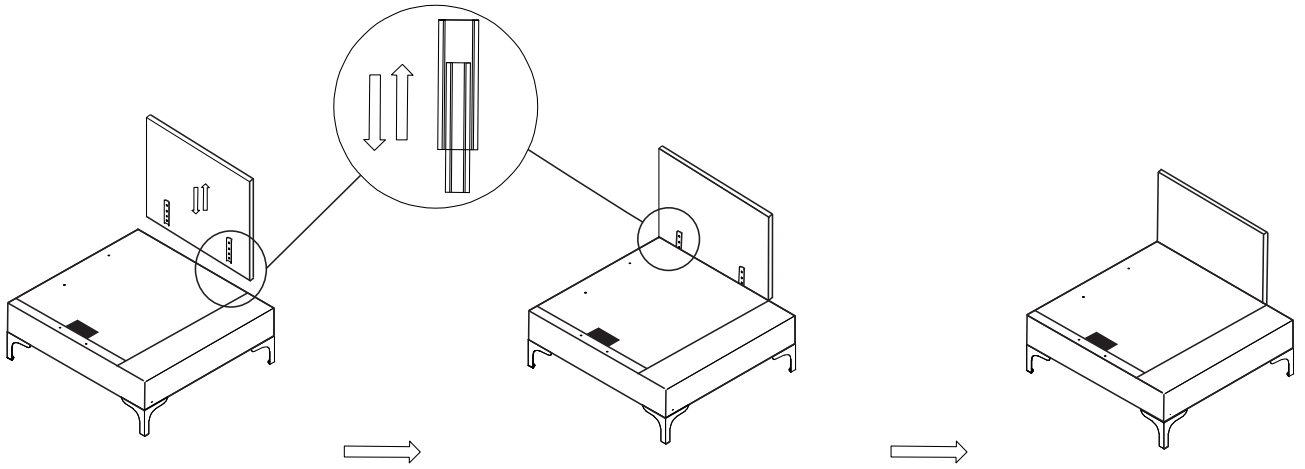
STEP 1 Screw each sofa foot in the order of (2) (1) (3), each sofa foot needs to screw twice



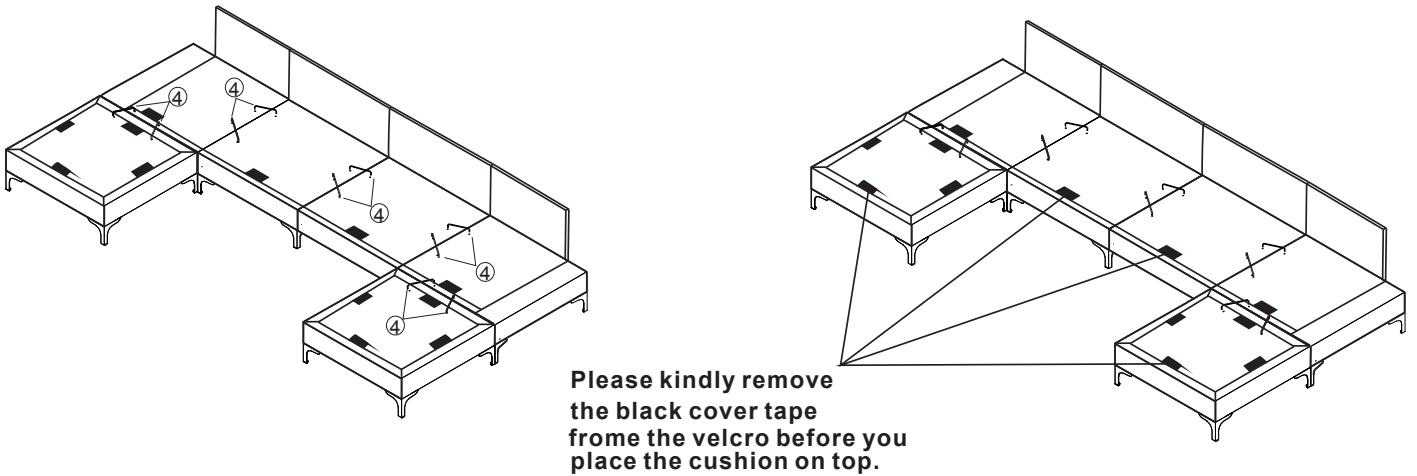
STEP 2 Insert the backrest into the left seat frame



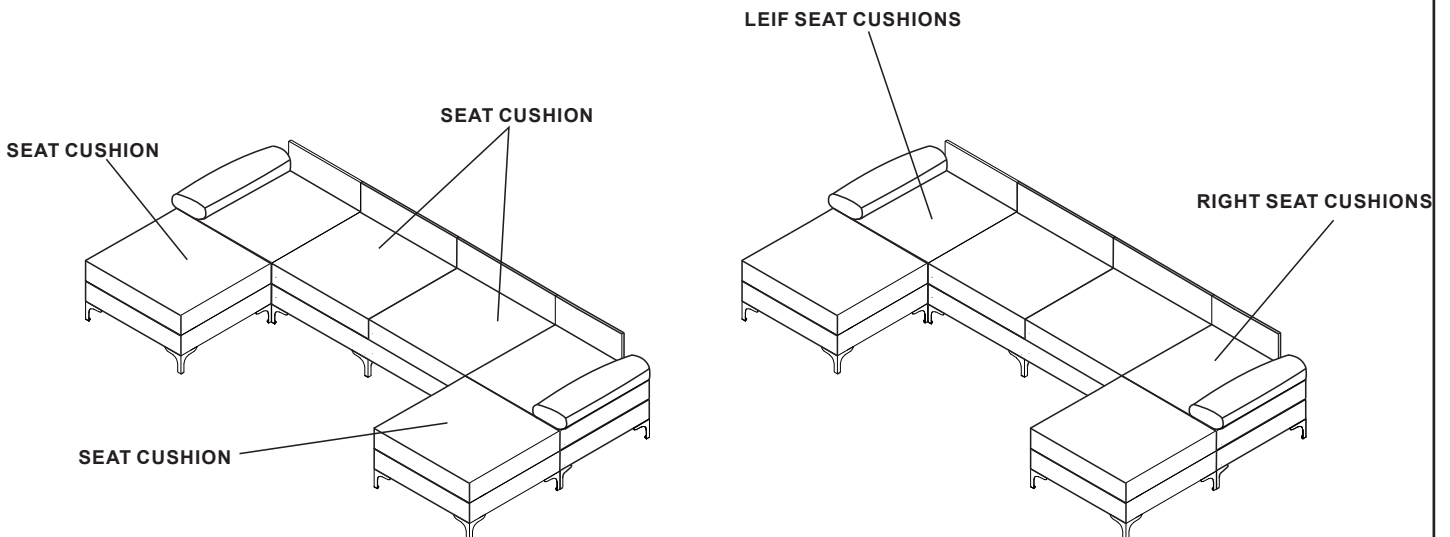
STEP 3 Insert backrest into center position



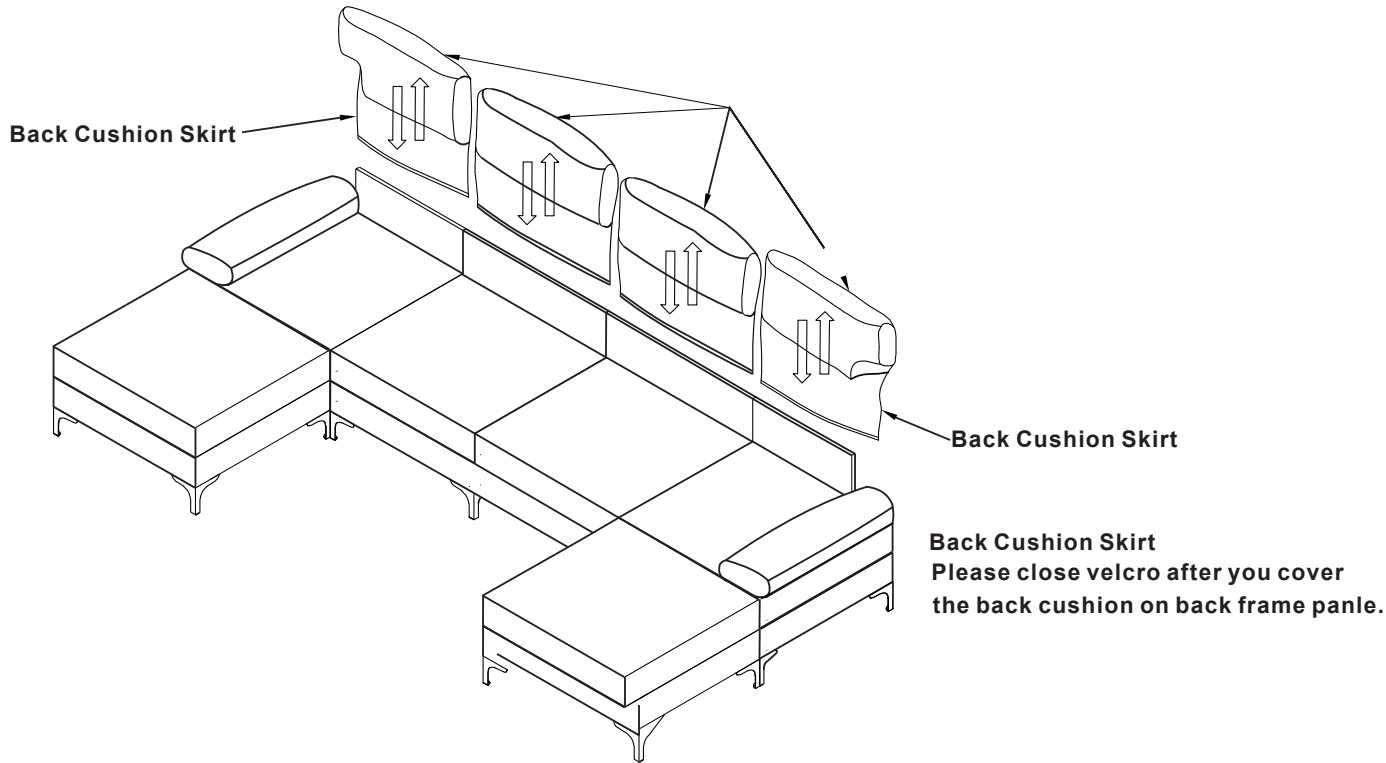
STEP 4 Insert the backrest into the right seat frame



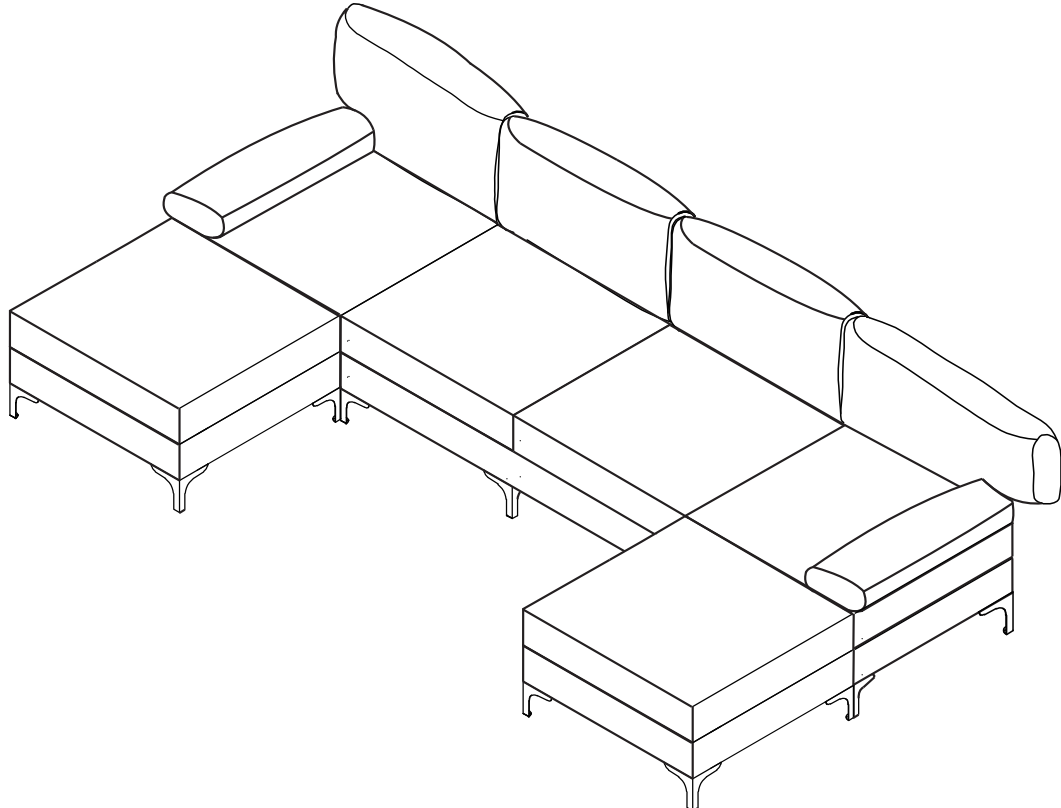
STEP 5 Remove velcro



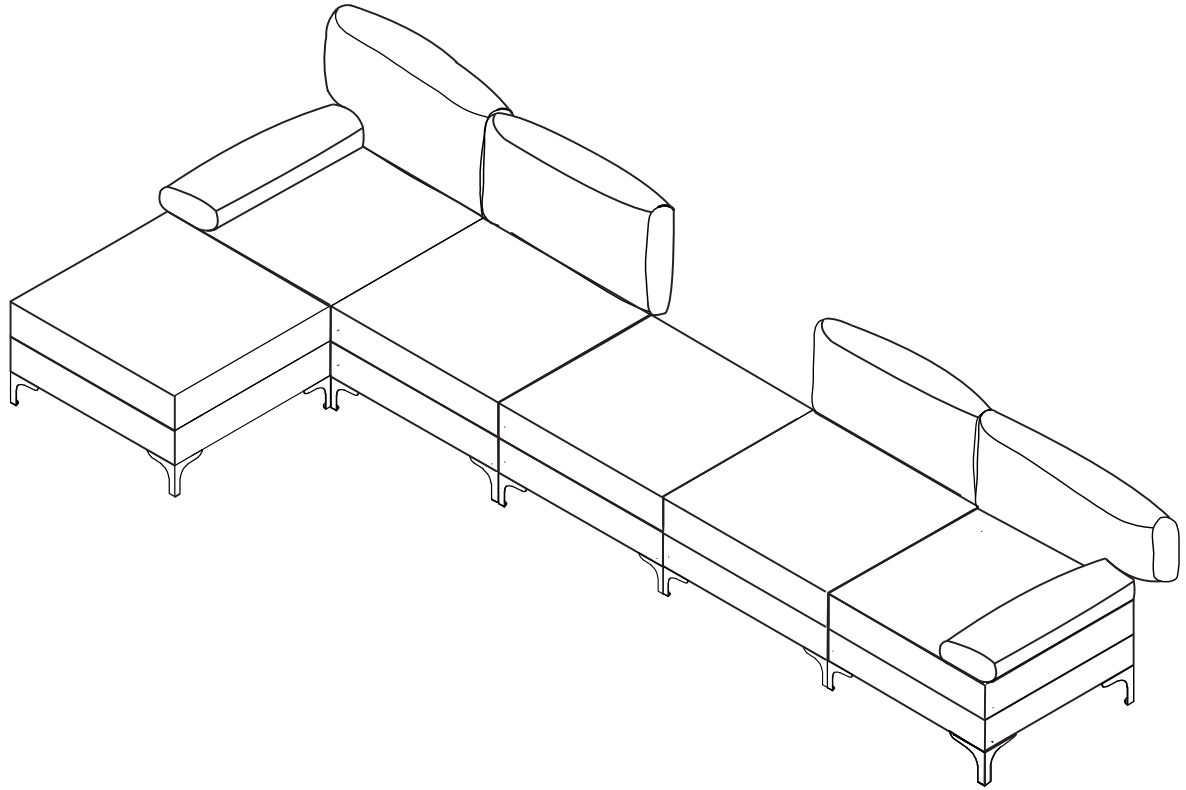
STEP 6 Place each seat in order



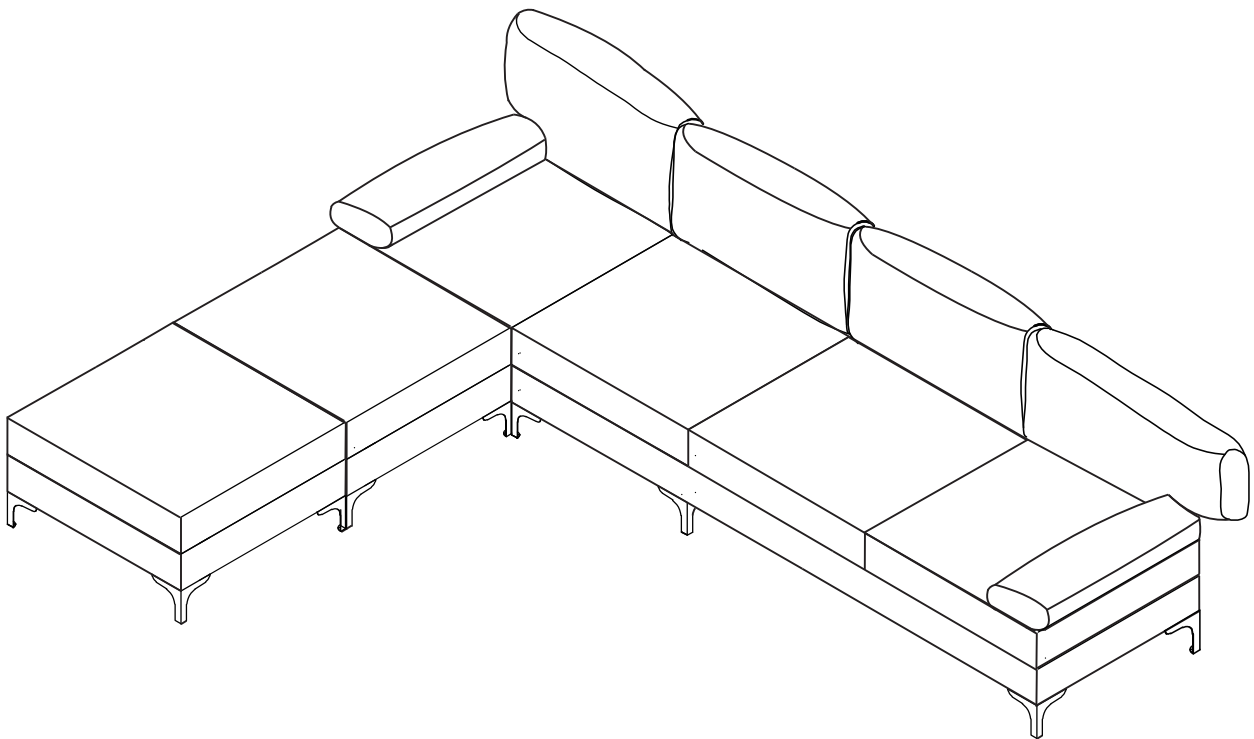
STEP 7 Insert the Back Cushion Skirt into the back and cover with Velcro



STEP 8 The product can be combined in three ways. The picture shows the combination method A



STEP 9 The product can be combined in three ways. The picture shows the combination method B



STEP 10 The product can be combined in three ways. The picture shows the combination way C

Care

Instructions

Your furniture, when treated with care and affection, will endure for years to come. Each piece demands gentle upkeep to enhance daily comfort and extend its lifespan. Just like any cherished possession, when treated kindly, it reciprocates that kindness. Your furniture is crafted to support you and bring joy into your life, enriching your home and your experiences.

1. Place the sofa away from direct sunlight, or utilize curtains or blinds to minimize exposure.

2. Regularly clean the sofa with a dry, soft cloth or a vacuum equipped with a gentle attachment.

3. Address stubborn stains promptly by blotting the affected area with a soft cloth soaked in warm water and mild soap. Follow up by drying with a clean cloth.

4. Avoid excessive rubbing during cleaning, as it may damage the weave and cause discoloration.

5. We recommend affixing felt pads underneath the sofa to prevent floor scratches. Additionally, laying a rug beneath can provide both protection and aesthetic appeal to your living space.

6. Ensure even weight distribution on the cushions regularly for optimal care.

By adhering to these care instructions, your furniture will continue to serve you well in return. We look forward to welcoming you back soon!

Frequently Asked Questions

We understand that receiving damaged or defective products can be disappointing, and we're here to assist you every step of the way. Here's how to address common concerns and initiate a damage claim:

1.What should I do if my shipment is damaged or products received are defective?

We're genuinely sorry to hear about any inconvenience caused. Please reach out to us promptly, and our team will prioritize resolving the matter swiftly and effectively. To file a damage claim, follow these steps:

- A. Retain the original box in case a return is required.
- B. Take photos of the damaged box, the damaged part of the item, tracking number, and return label on the box to help us process a replacement or refund.

2.Can I return the product if I'm not satisfied?

While we uphold stringent quality standards and collaborate with experienced manufacturers, we acknowledge that dissatisfaction may arise. If you're still unsatisfied, you can initiate a return within 30 days of receiving the product. Simply message us with your reasons for return, and we'll facilitate the process.