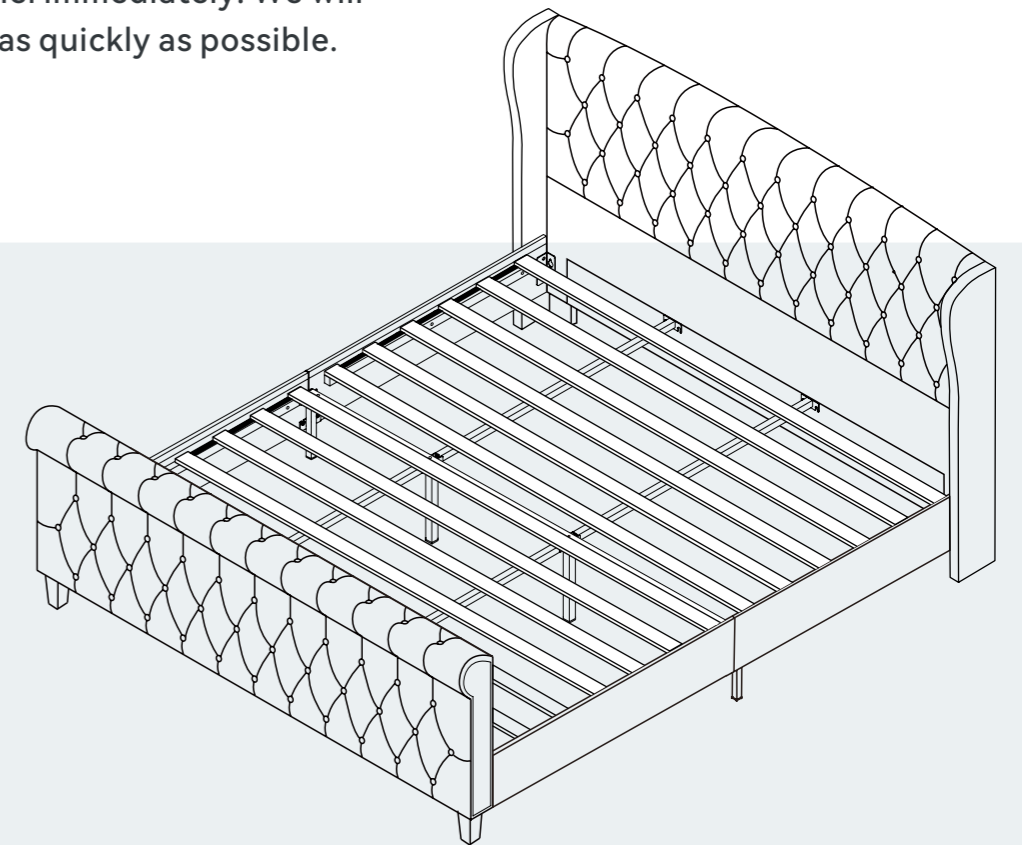


# | Bed

# | Bed

Assembly Instruction - Please keep properly for future reference.

If you find any missing boxes, damaged parts, or accessory shortages, please contact the customer service team of your purchasing channel immediately. We will resolve the issue as quickly as possible.



SKU:  
AJ27DD-1K0A0  
AJ27DD-1K0B0  
AJ27DD-1K0C0  
AJ27DD-1K0D0

V1.1

EN

## CONTACT US

- **Email:** [service@gandtunnel.com](mailto:service@gandtunnel.com)  
In order to receive assistance more quickly, please provide

## THE FOLLOWING INFORMATION:

- Order number
- Purchase platform
- Purchase date
- Detailed description of the issue along with photos (if applicable)

**Important** - Please read these instructions carefully before starting the installation.

# Before Assembly



Thank you for choosing this product!

To ensure safe use and long-term maintenance, please read this manual carefully and keep it properly for future reference.

## Important Notice:

- To ensure a smooth and successful installation, please read this guide carefully. It provides essential information about the required tools, materials, and assembly steps. Follow the instructions in each section to avoid any issues caused by improper installation.
- Please review all operational and safety guidelines to ensure proper and secure assembly.
- This guide reflects the most current product information available at the time of printing. We reserve the right to make changes to product features, packaging, or availability without prior notice.
- Before starting assembly, ensure that all necessary electrical and environmental preparations are completed.
- This manual contains important instructions regarding installation, cleaning, and maintenance. Please read it thoroughly and keep it for future reference.

# Safety Warnings



## 1. Follow Warning Labels

Do not remove, alter, or obscure any warning labels on the product or packaging. Always adhere to the displayed safety instructions to ensure proper usage.

## 2. Conduct Regular Inspections

Periodically inspect all components to ensure they are properly installed, undamaged, and securely fastened. Report any issues to customer support immediately.

## 3. Practice Safe Usage

Avoid playing, jumping, or engaging in activities on or under the bed, as this may cause injury or structural damage.

## 4. Beware of Rope Hazards

Do not attach ropes, hooks, straps, or any non-designated accessories to any part of the bed, as this may pose a safety hazard.

## 5. Keep This Manual for Reference

Store this manual in a safe and accessible place for future reference.

## 6. Safety is a Shared Responsibility

Ensuring safety is a joint responsibility between the manufacturer and the user. Please follow all safety precautions during assembly and use.

## Disclaimer

We are committed to delivering safe, high-quality, and reliable products to our customers. If you have any questions, concerns, or require further assistance, please contact our customer service team without hesitation.



# Maintenance and Care Recommendations

## 1. Regular Cleaning

To maintain hygiene and prevent bacterial growth, clean the product regularly. Use a damp, well-wrung cloth to avoid excess moisture and prevent surface scratches.

## 2. Prevent Corrosion

Keep the product away from acidic or alkaline substances, as they may cause corrosion or damage to the materials.

## 3. Use Only Authorized Replacement Parts

Do not use unauthorized or third-party replacement parts, as they may compromise the product's safety and durability. If a replacement is needed, contact the manufacturer or an authorized dealer for approved parts.

## 4. Cleaning Precautions

Do not machine wash or rinse any part of the product directly with water, as this may damage the materials and reduce product lifespan.

## 5. Prevent Pests

Keep wooden furniture away from damp or humid areas to prevent pest infestations and wood damage. Use a dehumidifier or air conditioner during humid seasons to maintain a dry environment.

## 6. Protect from Sunlight

Avoid placing furniture in direct sunlight, as prolonged exposure may cause cracking, discoloration, or fading. If sunlight exposure is unavoidable, use curtains or shades to minimize damage.

**7. Keep Away from Fire**

Position furniture away from heat sources and open flames to prevent damage and maintain its condition.

**8. Perform Regular Care**

Apply furniture oil periodically to maintain the wood's shine, prevent cracks, and extend its lifespan.

**9. Clean Frequently**

Regularly vacuum dust and debris, especially underneath furniture, to keep it clean and hygienic.

**10. Maintain a Dry Environment**

Ensure good ventilation to prevent moisture buildup, which can damage wood. Use a dehumidifier if necessary to protect the furniture.

**11. Avoid Corrosive Liquids**

Keep furniture away from acidic or alkaline substances, as these can damage the surface and reduce durability.

**12. Use a Damp Cloth for Cleaning**

Wipe furniture with a well-wrung damp cloth to prevent water damage or swelling. Avoid excessive moisture exposure.

**13. Limit Sun Exposure**

Excessive sunlight can dry out and weaken wood. Position furniture in shaded areas or use UV-blocking curtains to protect it from damage.

## Customer Service Guide



Thank you for choosing our product! We are committed to providing you with excellent service. If you find any missing parts, damaged packaging, or product damage after receiving all packages, please follow the steps below to quickly contact our customer service team. We will do our best to resolve your issue.

### 1. Missing Parts

**Verify Parts:**

1. Refer to the "Parts List" in the manual to verify the name, specifications, and quantity of the missing parts.
2. Take a clear photo of the parts list and mark the missing parts with detailed information, e.g., "Missing 5 pieces of M6×30mm screws."

**Contact Us:****By Email:**

Send an email to [service@gandtunnel.com](mailto:service@gandtunnel.com), with the subject line "Missing Parts Issue." Include the following in the email:

- A description of the missing parts and a photo of the parts list.
- Order details (order number, purchase platform, purchase date).

## 2. Product or Packaging Damage

**If it affects normal use:****Steps:**

1. Take clear photos or videos showing the damaged parts and the extent of the damage (multi-angle shots are recommended).
2. Email the photos/videos along with order details to [service@gandtunnel.com](mailto:service@gandtunnel.com), with the subject line "Product Damage Issue."

**Resolution:**

After verification, we will arrange for a replacement part, product exchange, or refund as quickly as possible.

**If it does not affect normal use:****Steps:**

1. Contact our customer service team (by email: [service@gandtunnel.com](mailto:service@gandtunnel.com)).
2. Provide a description of the damage and include relevant photos or videos.

**Resolution:**

We will provide repair guidance or an appropriate compensation plan based on the specific situation.

**Contact Us:**

Customer Service Email: [service@gandtunnel.com](mailto:service@gandtunnel.com)

### Helpful Tips

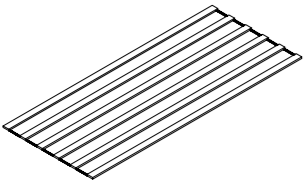
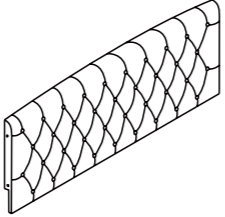
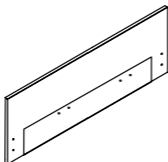



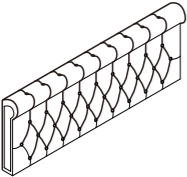
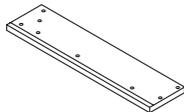
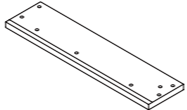
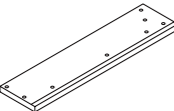
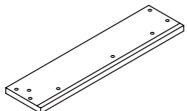

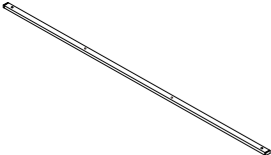
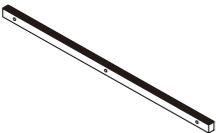
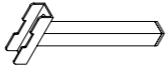
**To process your issue efficiently, please prepare the following information:**

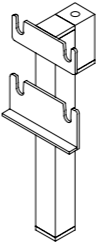

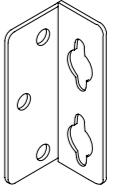
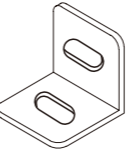
- Order details (order number, purchase platform, purchase date).
- Clear photos or videos.
- We are committed to providing quick and professional solutions, no matter the size of the issue, to ensure your satisfaction.

**Thank you for your trust and support!**  
**We hope you enjoy using our product!**

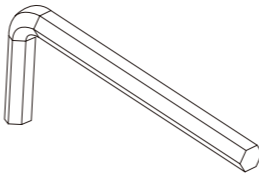
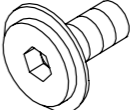
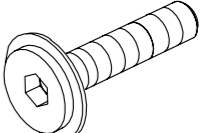
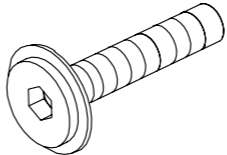
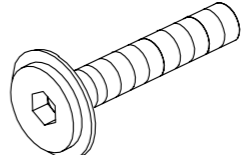
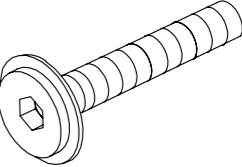
## Parts List



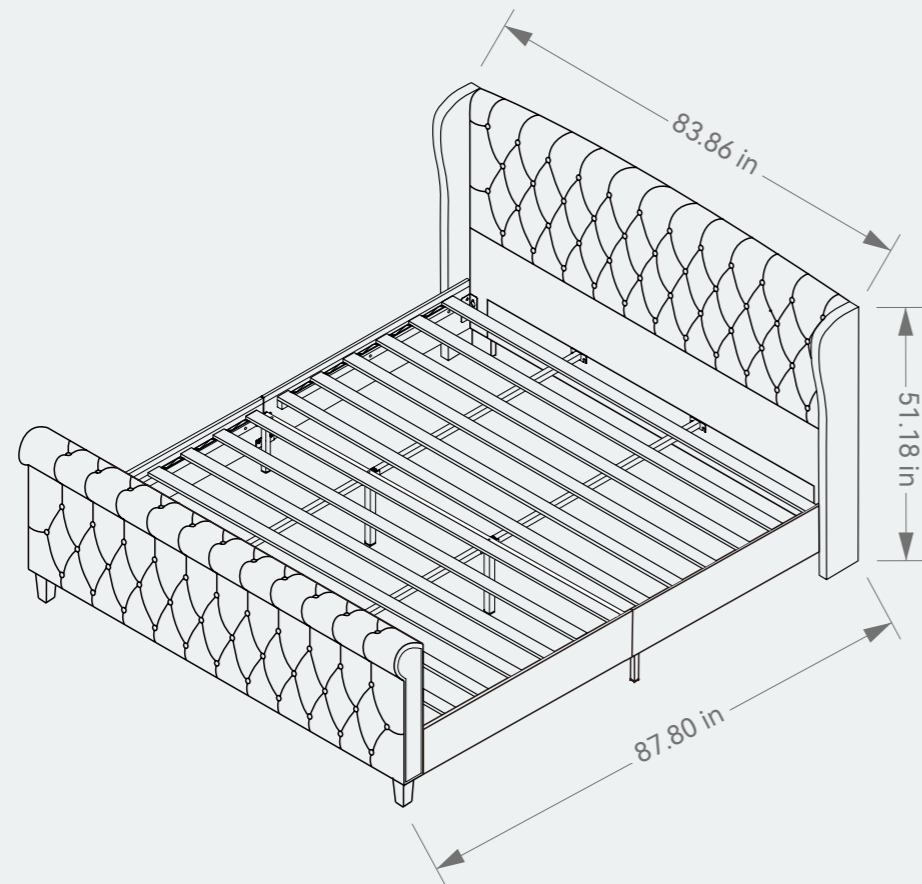
		
<b>B</b> x2	<b>C1</b> x1	<b>C2</b> x1
		
<b>D1</b> x1	<b>D2</b> x1	<b>D3</b> x2
		
<b>E</b> x1	<b>F1</b> x1	<b>F2</b> x1
		
<b>F3</b> x1	<b>F4</b> x1	<b>G</b> x4
		
<b>H</b> x1	<b>I</b> x4	<b>J</b> x2

		
<b>K</b> x2	<b>M</b> x2	<b>N1</b> x4
		
<b>N2</b> x2		

## Hardware List

		
<b>a</b> M6 x1	<b>b</b> M8*18mm x38	<b>c</b> M8*40mm x26
		
<b>d</b> M8*50mm x4	<b>e</b> M8*60mm x2	<b>f</b> M8*80mm x2

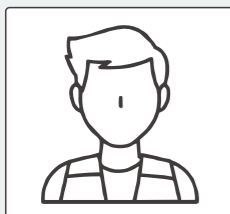
## King size



### Important:

In each of the previous steps, tighten all screws to approximately 70% to stabilise the overall frame during assembly. Do not fully tighten any screws until the final step is completed.

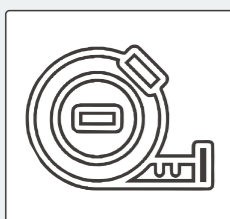
## Tools & Equipment



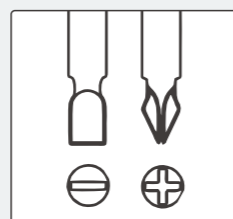
2 people needed



Work gloves

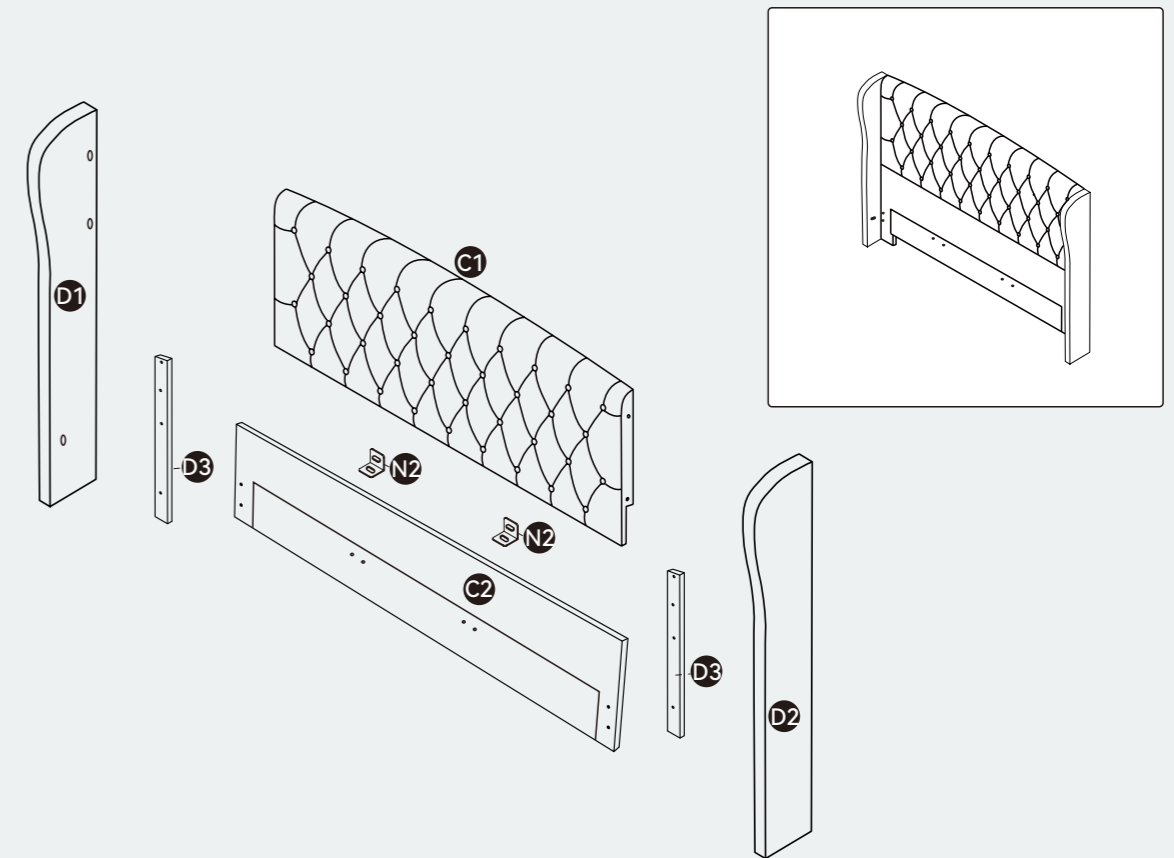


Tape measure



Other Tools Required  
Phillips Screwdriver  
(Not Included)

## Headboard Section Installation



The headboard section assembly requires a total of 8 labeled panels shown in the diagram. Please locate all of them and prepare them for use.

### Hardware Accessory List

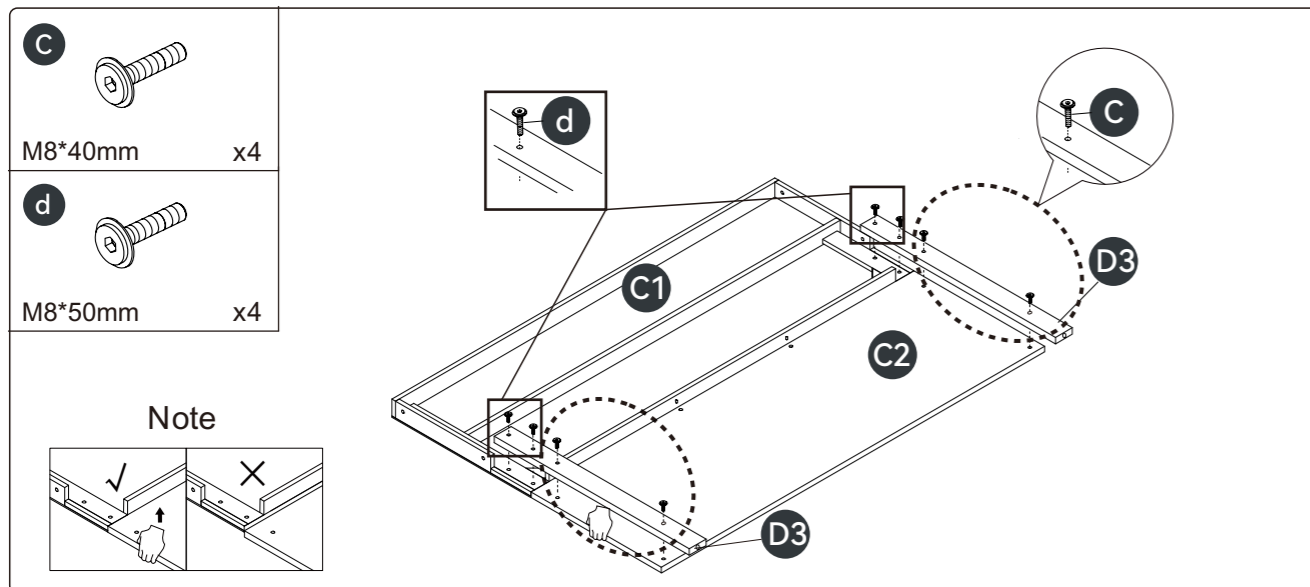
<b>b</b>		M8*18mm <b>x12</b>
<b>c</b>		M8*40mm <b>x4</b>
<b>d</b>		M8*50mm <b>x4</b>
<b>e</b>		M8*60mm <b>x2</b>
<b>f</b>		M8*80mm <b>x2</b>

### Note:

Ensure all hardware components are accounted for before beginning assembly. Missing or damaged hardware should be reported to customer service for replacement.

## Step 1

## Headboard Section



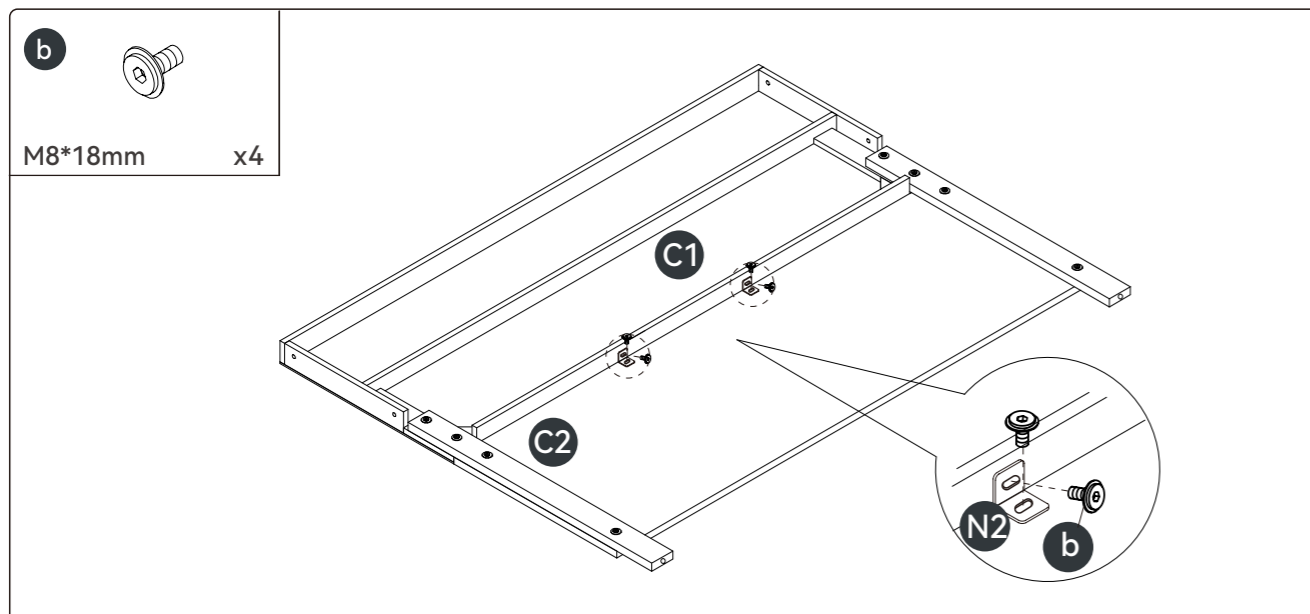
Place the headboard upper panel (C1) and headboard lower panel (C2) as shown in the diagram. Connect (C1) and (C2) using the headboard leg (D3), and secure them with screw rods (c) and (d).

## Note:

1. First screw in all the screw rods, then tighten them completely. When assembling the (C2) panel, support it with your hand to keep it level.
2. The long screw rod d should be installed on the top.

## Step 2

## Headboard Section



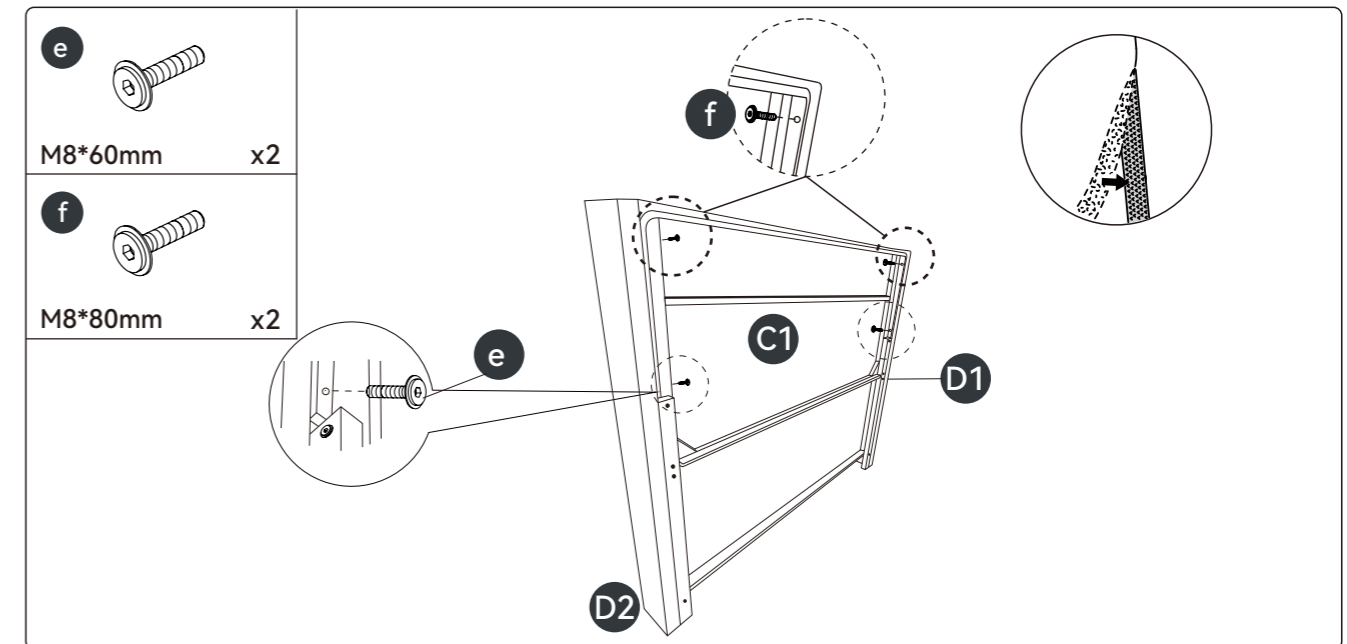
Install the L-shaped metal plates (N2) on the headboard top panel (C1) and the headboard bottom panel (C2), securing them with screws (b).

## Note:

First, screw in all the screws, then tighten them all.

## Step 3

## Headboard Section



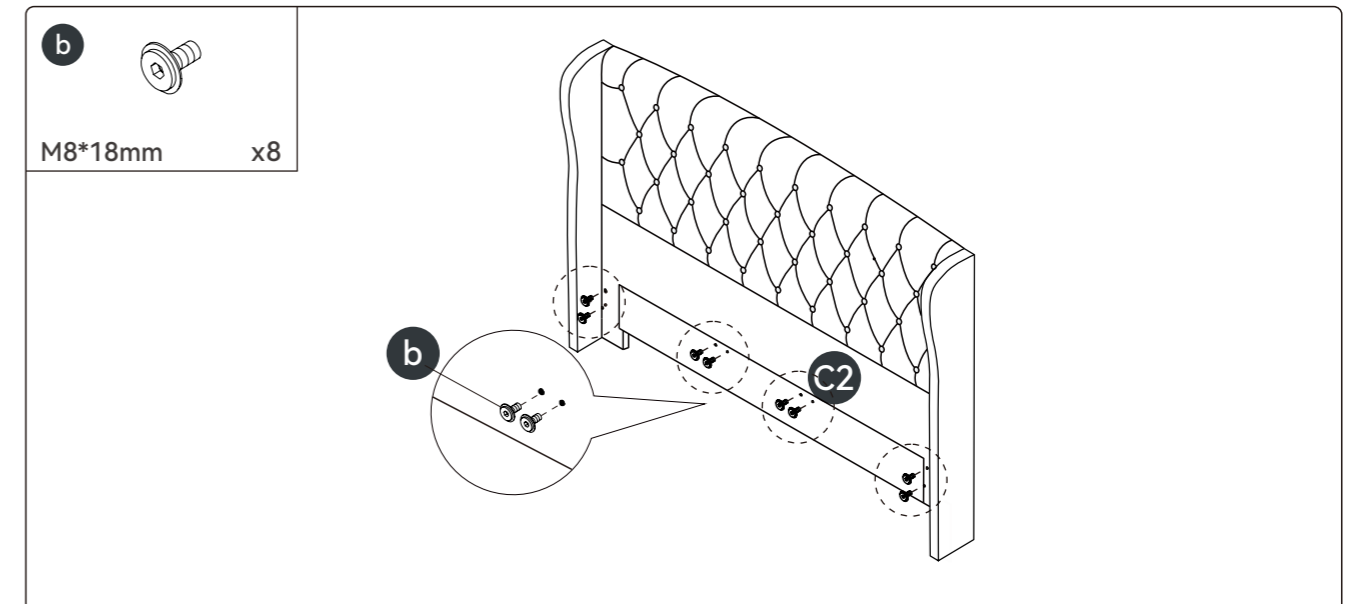
Assemble the headboard upper panel (C1) with the headboard ears (D1) and (D2), and secure them with screw rods (e) and (f). Smoothly attach the cover fabric.

## Note:

1. When installing, place the long screw rod (f) on the top.
2. First screw in all the screw rods, then tighten them completely.

## Step 4

## Headboard Section



Pre-assemble screws (b) in the corresponding holes on the headboard bottom panel (C2), but do not tighten them.

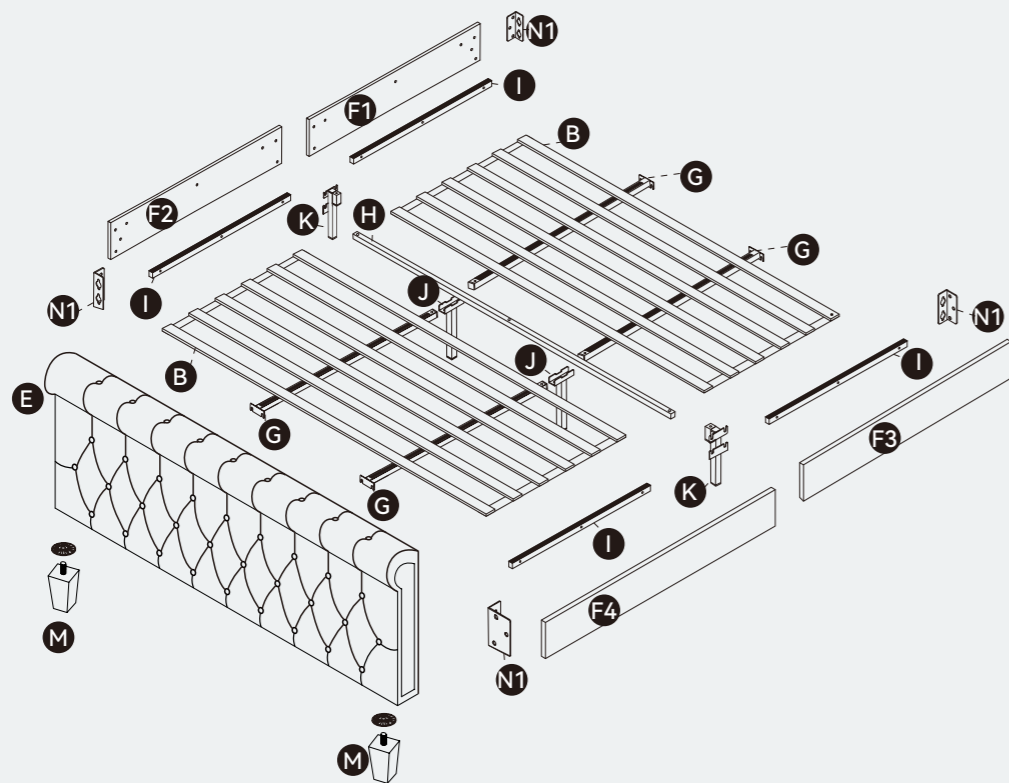
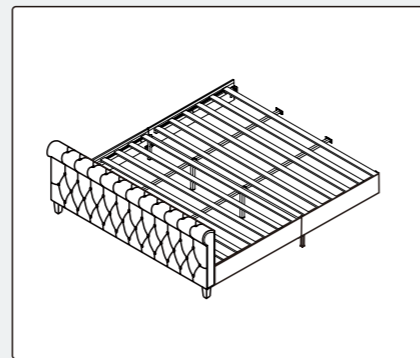
## Note:

Tighten screws (b) to 50% to allow for subsequent installation.


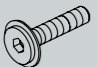
# Frame Parts Section Installation



The Frame Parts section assembly requires a total of 26 labeled panels shown in the diagram. Please locate all of them and prepare them for use.



## Hardware Accessory List

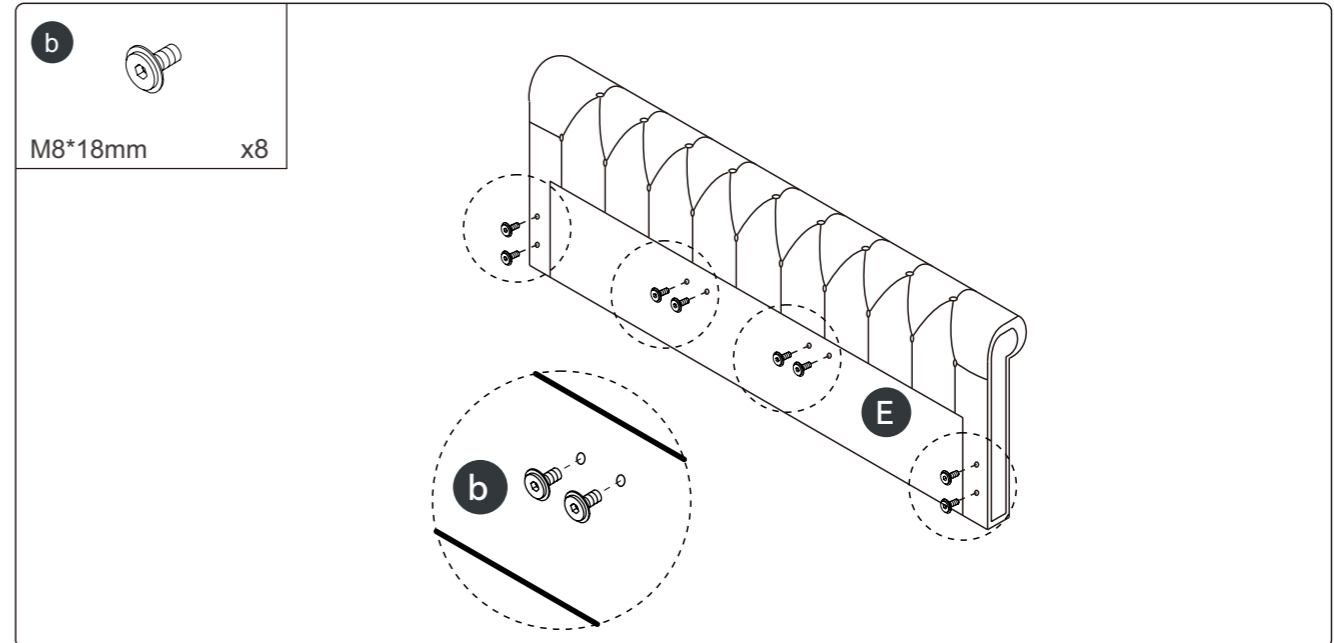
<b>B</b>		M8*18mm x26
<b>C</b>		M8*40mm x22

## Note:

Ensure all hardware components are accounted for before beginning assembly. Missing or damaged hardware should be reported to customer service for replacement.

## Step 5

## Frame Parts Section



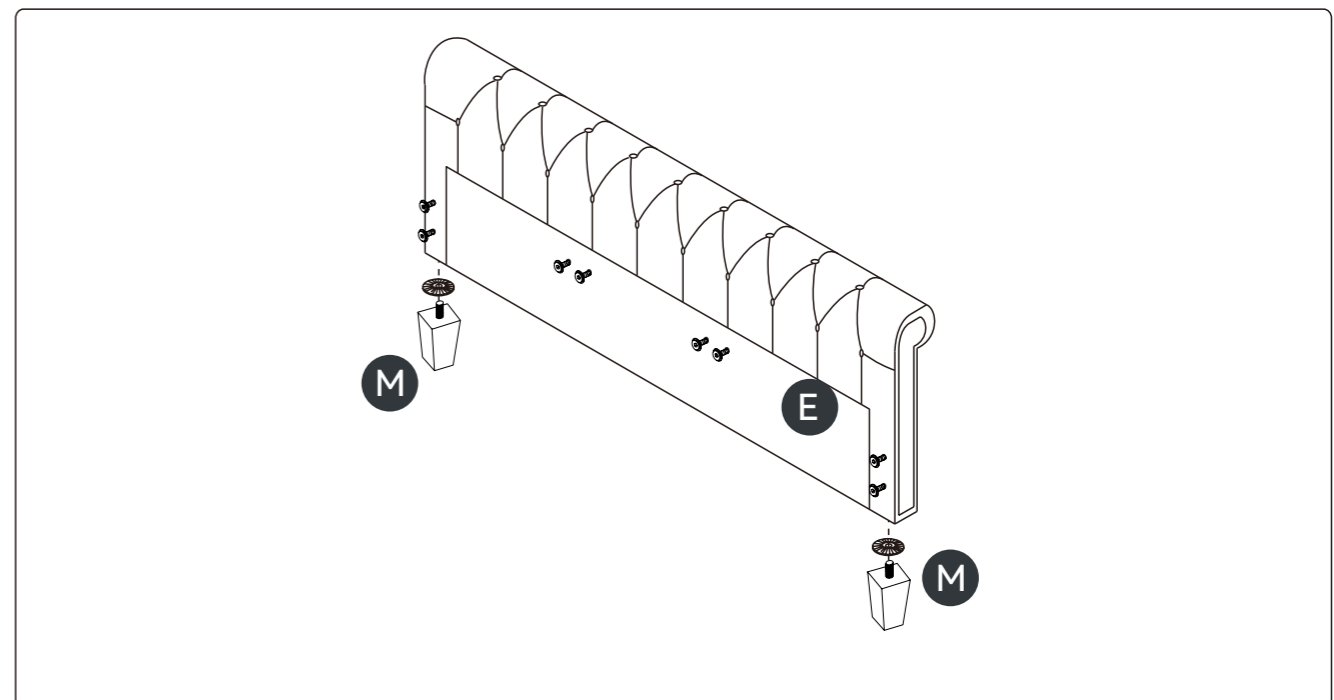
Pre-assemble screws (b) in the corresponding holes on the footboard (E), but do not tighten them.

### Note:

Tighten screws (b) to 50% to allow for subsequent installation.

## Step 6

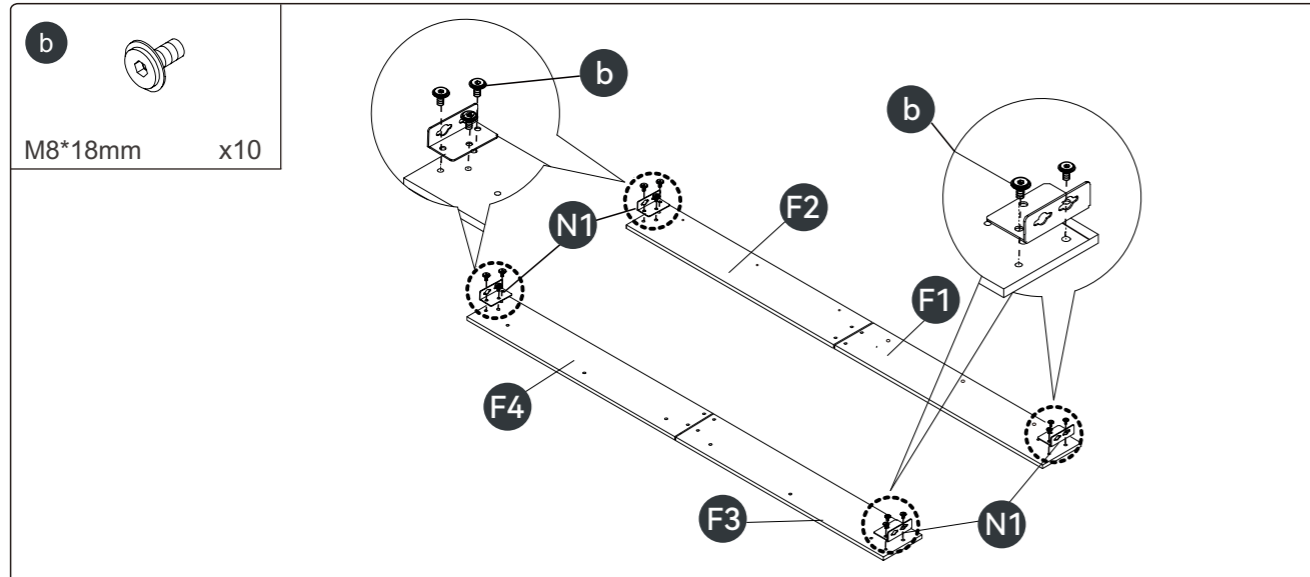
## Frame Parts Section



Attach the wooden feet (M) to the bottom of the footboard (E) and tighten the screws.

## Step 7

## Frame Parts Section



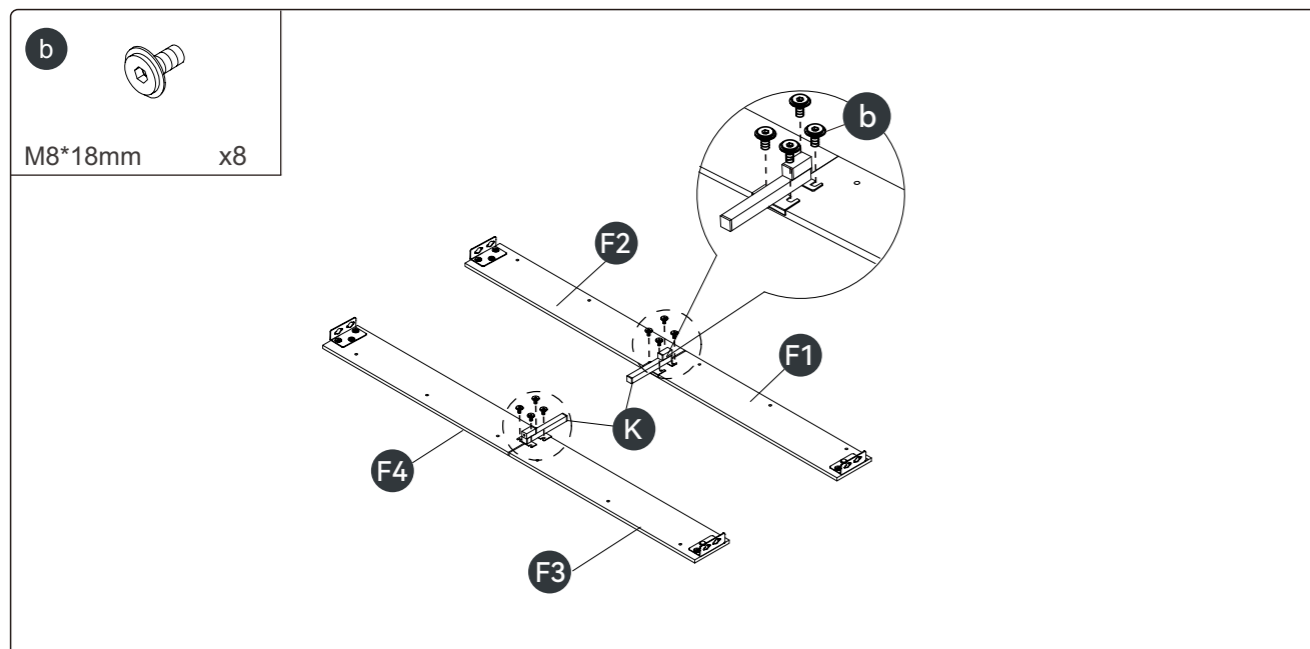
Arrange the side panels (F1, F2) and (F3, F4) as shown in the diagram, and attach the metal plates (N1) to both sides of the bed side panels (F1, F2, F3, F4), securing them with screws (b).

## Note:

1. For the placement of the numbered panels, first insert all screws (b) and then tighten them all.
2. Only two screws are installed in the hangers on (F1) and (F3), as the other hole will be used for future installation. Be sure to install them in the correct position.

## Step 8

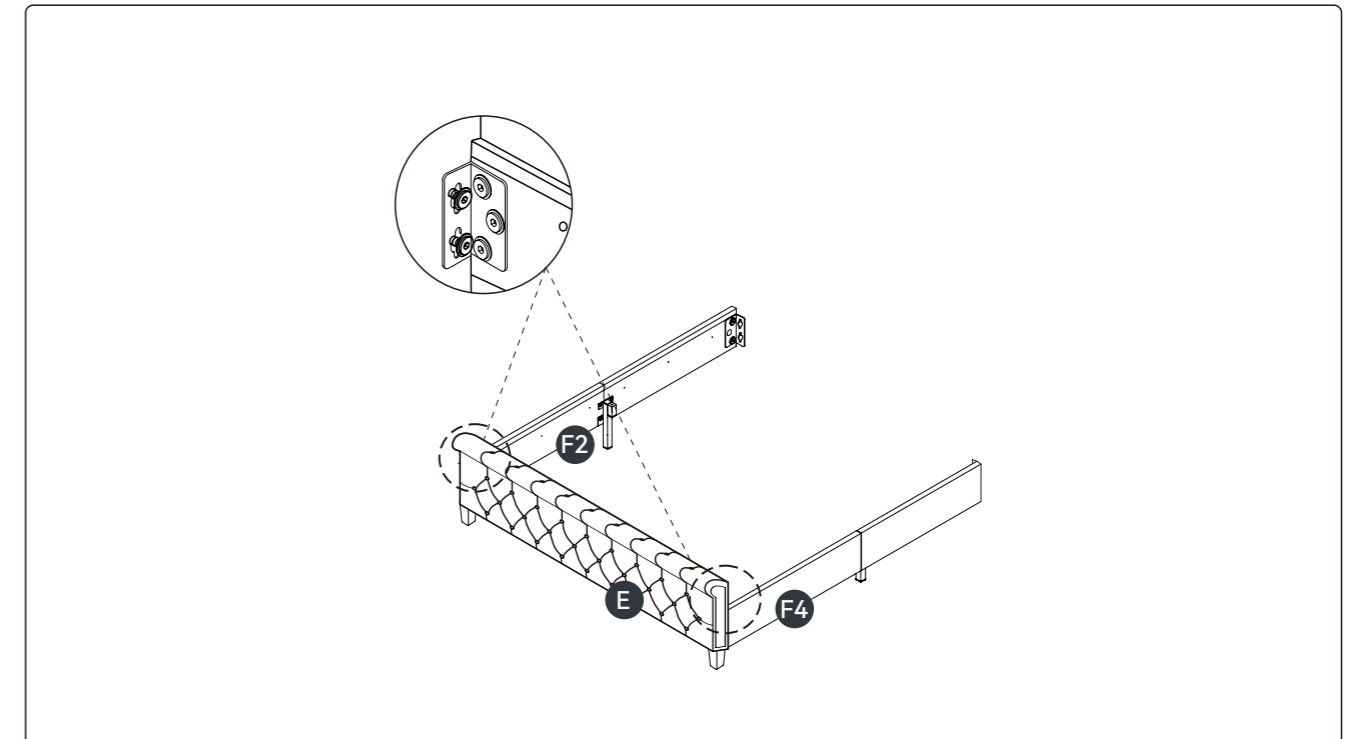
## Frame Parts Section



Attach the metal feet (K) between the side panels (F1, F2) and (F3, F4), securing them with screws (b). Then tighten all screws.

## Step 9

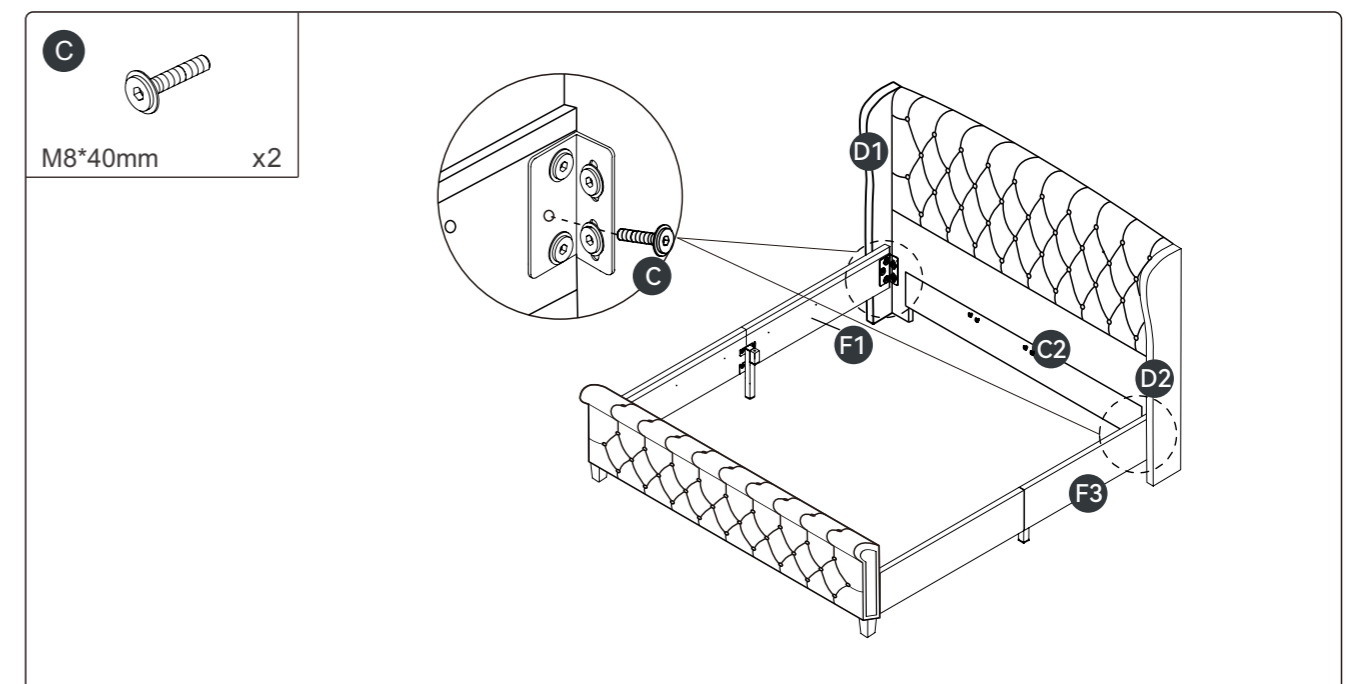
## Frame Parts Section



Connect the hangers on side panels (F2, F4) to the untightened screws on both sides of the footboard (E), and tighten all screws.

## Step 10

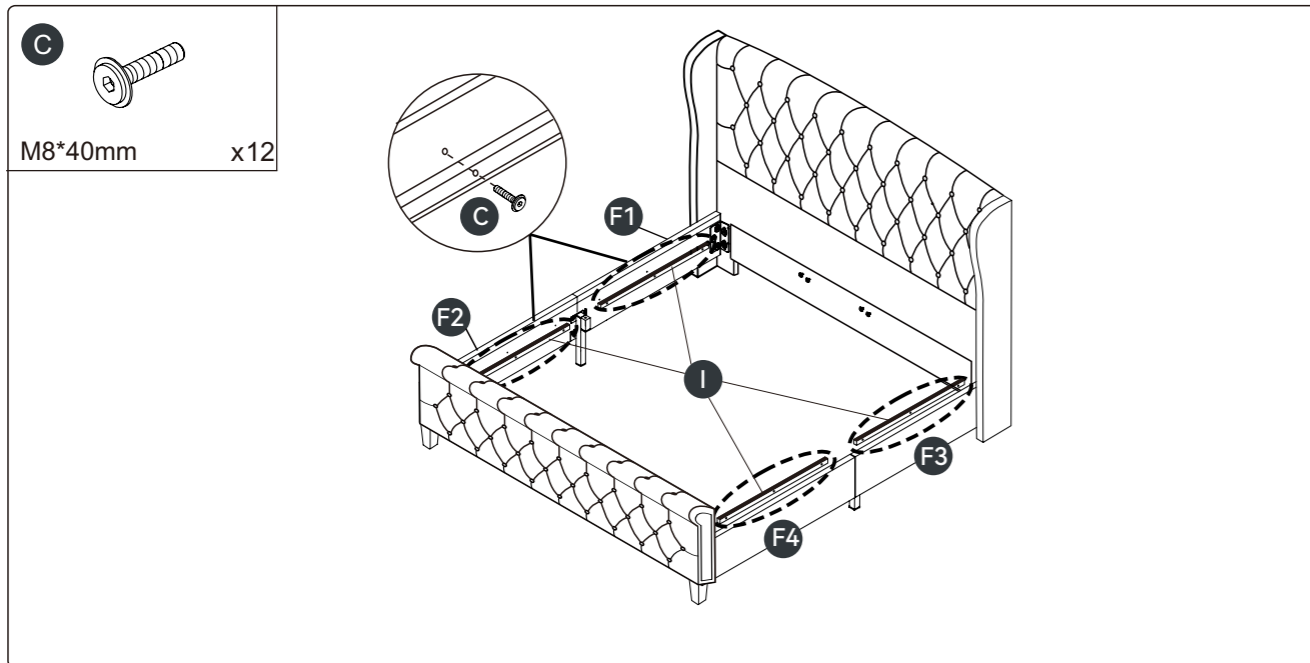
## Frame Parts Section



Connect the hangers on side panels (F1, F3) to the untightened screws on the headboard bottom panel (C2) using screws (c). After connecting the remaining hole on the hangers on (F1, F3) to the side ears (D1, D2), tighten all the screws.

## Step 11

## Frame Parts Section

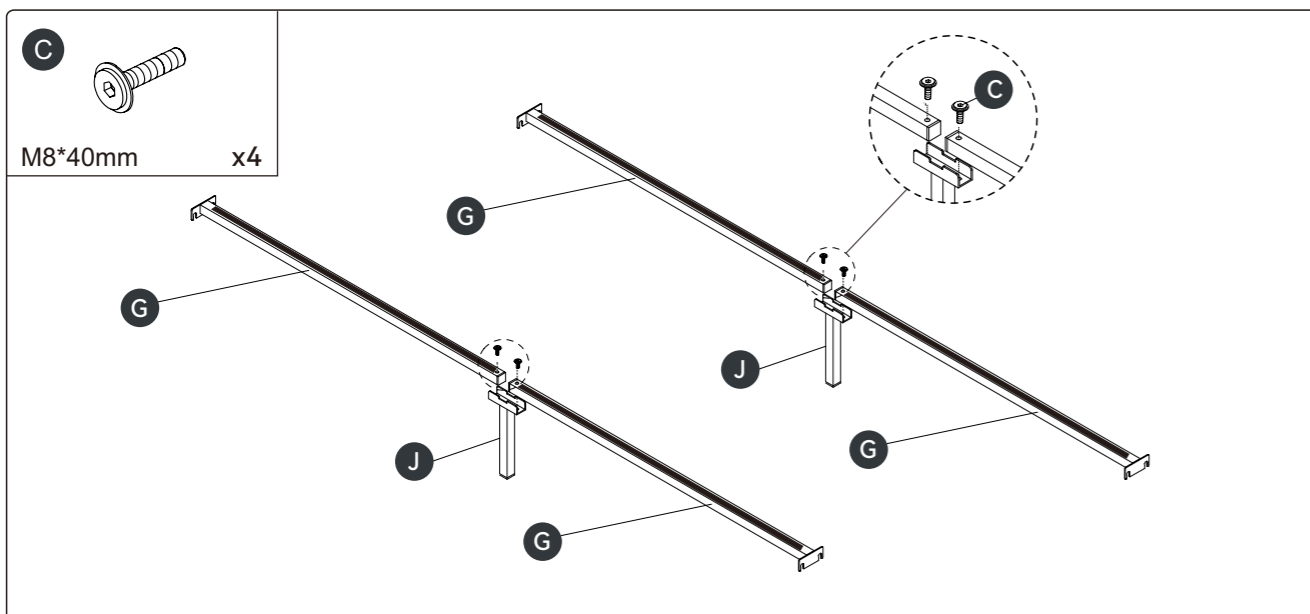


Install the wooden slats (I) in the corresponding holes on the side panels (F1, F2) and (F3, F4), securing them with screws (c).

**Note:**  
Ensure the Nylon Fastener is facing up. Tighten screws (c) to 70%, then tighten all the screws.

## Step 12

## Frame Parts Section

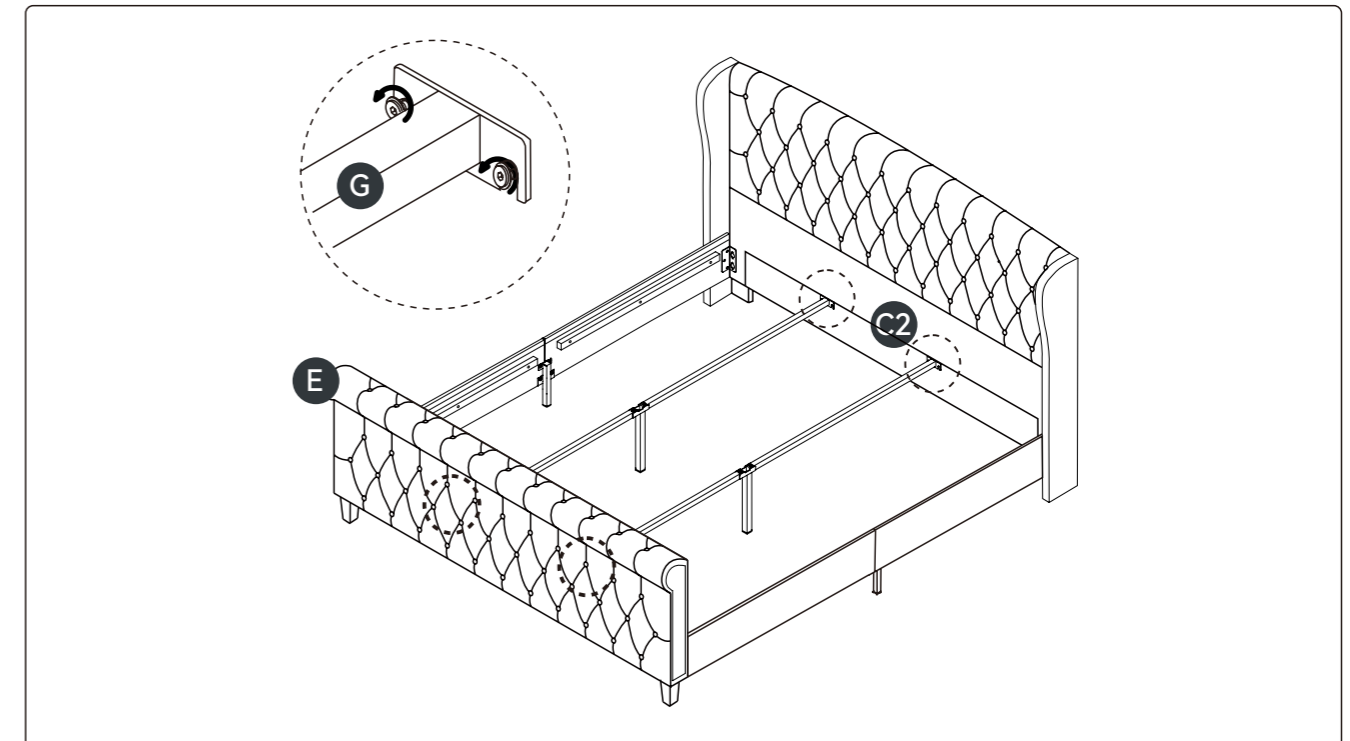


Use the middle foot (J) to connect the metal pipes (G) and secure them with screws (c).

**Note:**  
The black soundproof cotton should face up, and the hooks on (G) should face down.

## Step 13

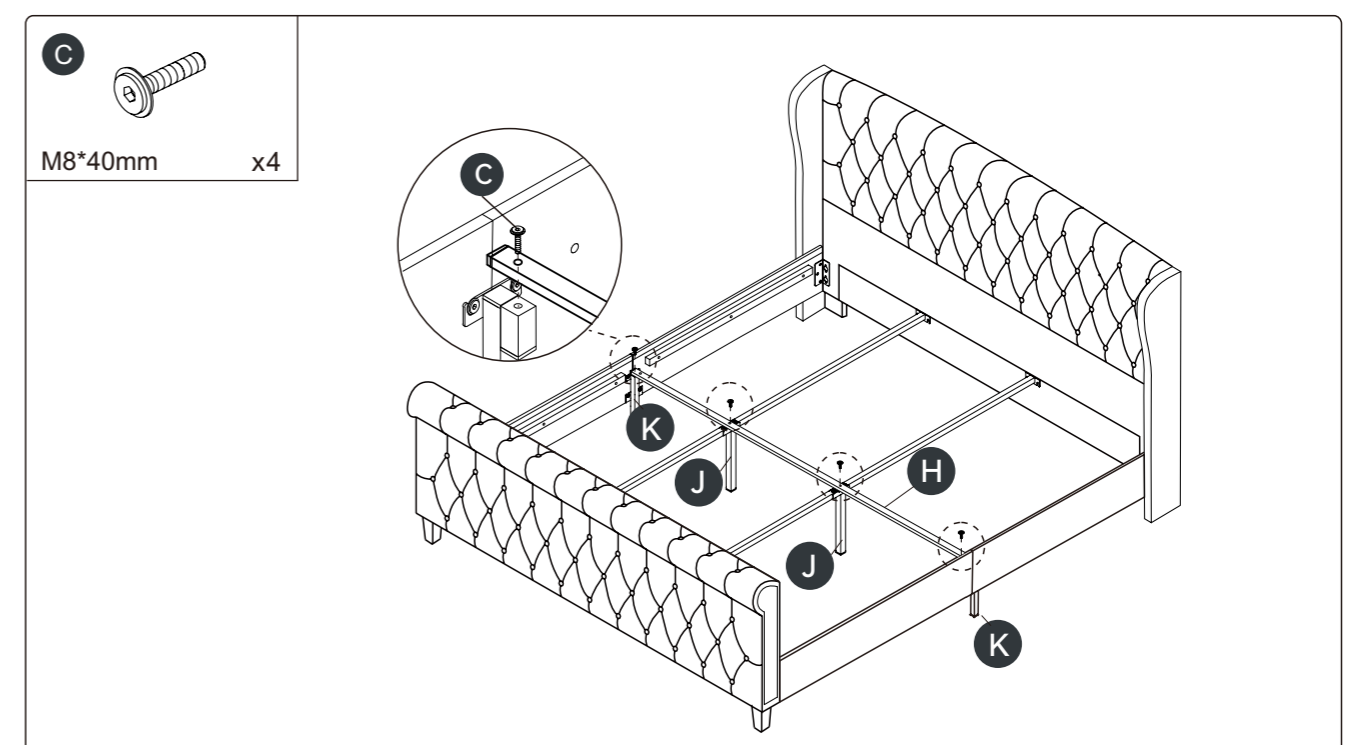
## Frame Parts Section



Hang the metal pipe (G) on the reserved screws on the footboard (E) and the headboard bottom panel (C2), and tighten the screws.

## Step 14

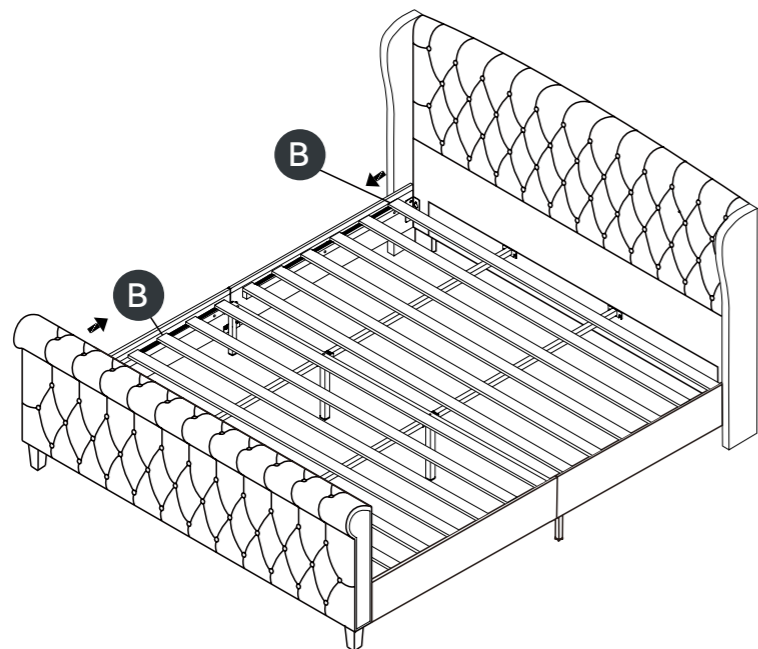
## Frame Parts Section



Install the metal pipe (H) in the corresponding holes between the middle foot (K) and middle foot (J), securing it with screws (c).

## Step 15

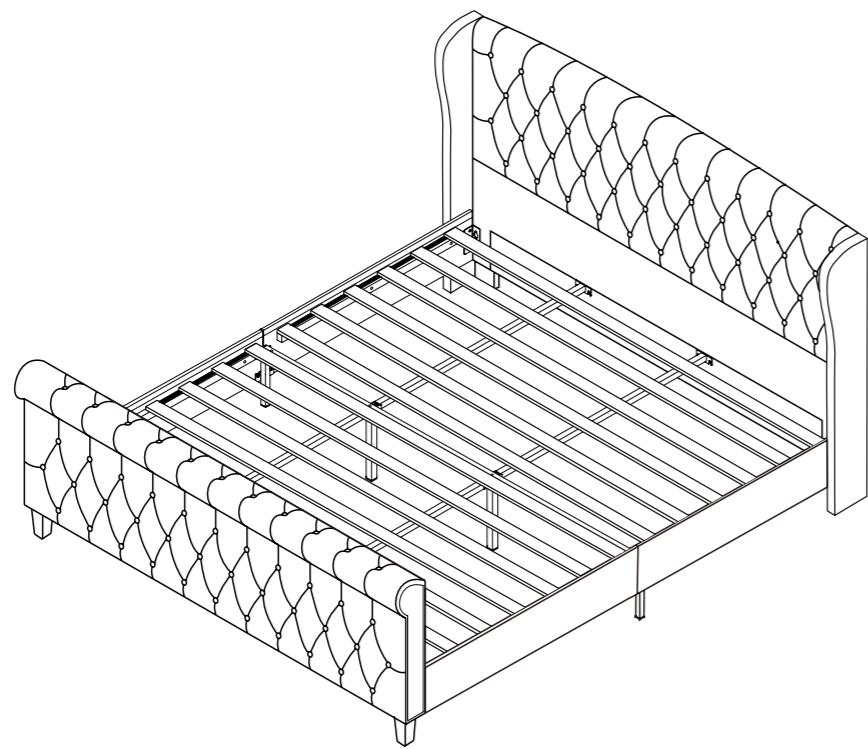
## Frame Parts Section



Lay down the slats (B).

## Step 16

## Frame Parts Section



Installation complete.