

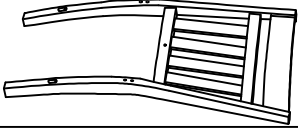

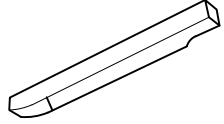
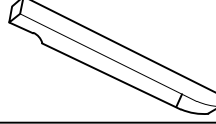

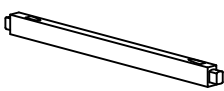
ASSEMBLY INSTRUCTIONS

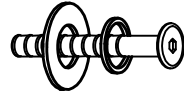
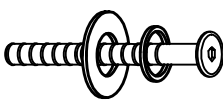
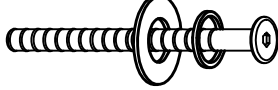
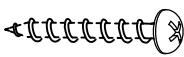

Item No : D3412-20
Harrisburg Dining Chair
(2PCS PER CARTON)

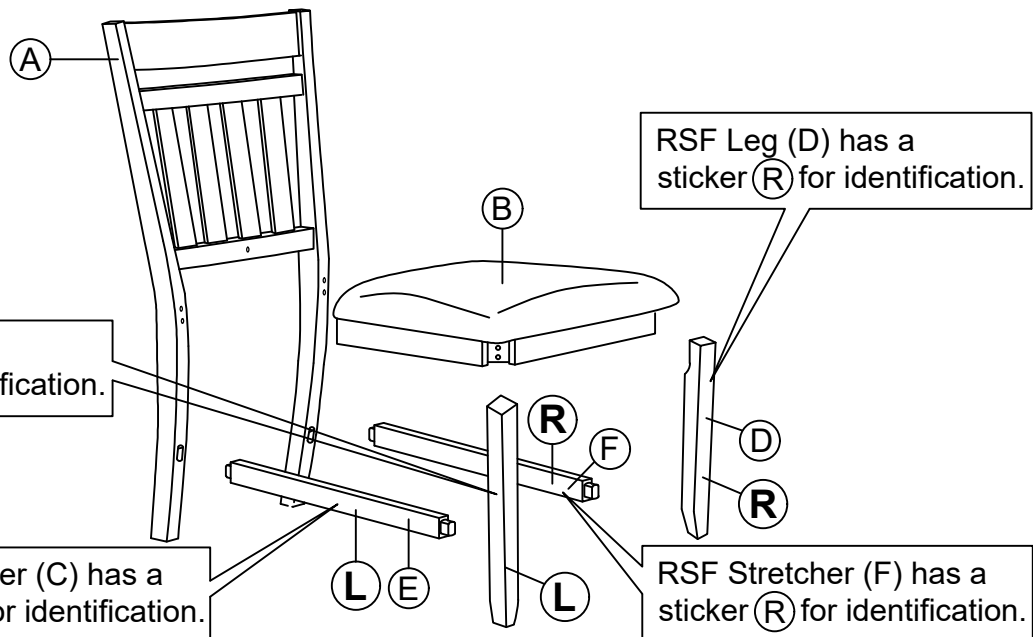
Thank you for purchasing this quality product. Be sure to check all packing materials carefully for small parts, which may have come loose inside the carton during shipment. Identify and count all items and compare with the parts list and/or hardware list shown below.

Cautions :

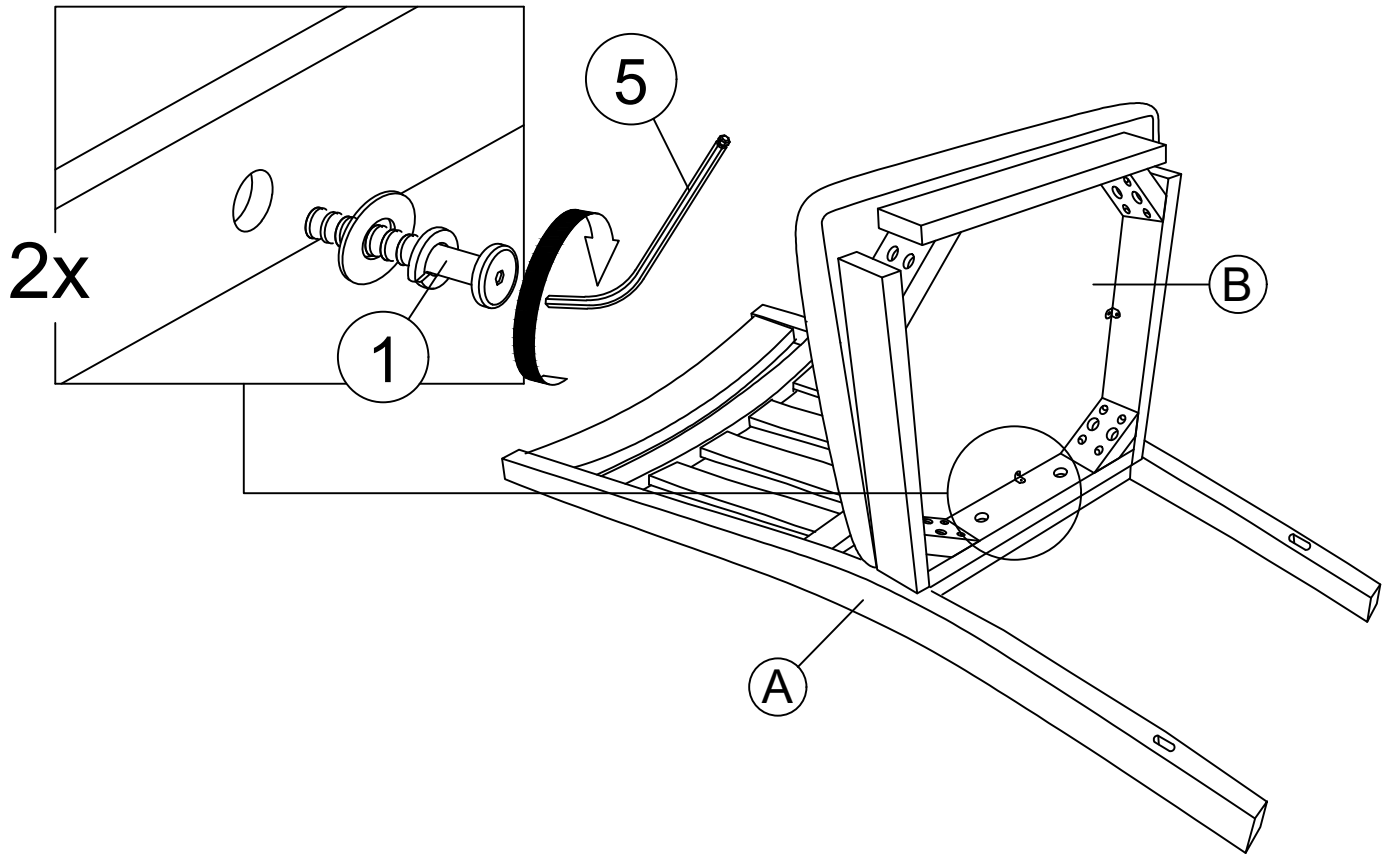
- (1) Do not fully-tighten the nut or nut bolts initially until all nuts or bolt is ready assembled.
(To avoid causing damages to the thread, do not over-tighten the nuts or bolts.)
- (2) Keep all hardware part out of reach of children.

PARTS LIST			
NO	DESCRIPTION	SKETCH	QTY
A	CHAIR BACK		2 PCS
B	SEAT FRAME WITH CUSHION		2 PCS
C	FRONT LEFT SIDE FACING (LSF) LEG Ⓛ		2 PCS
D	FRONT RIGHT SIDE FACING (RSF) LEG Ⓡ		2 PCS
E	LEFT SIDE FACING (LSF) STRECHER Ⓛ		2 PCS
F	RIGHT SIDE FACING (RSF) STRECHER Ⓡ		2 PCS

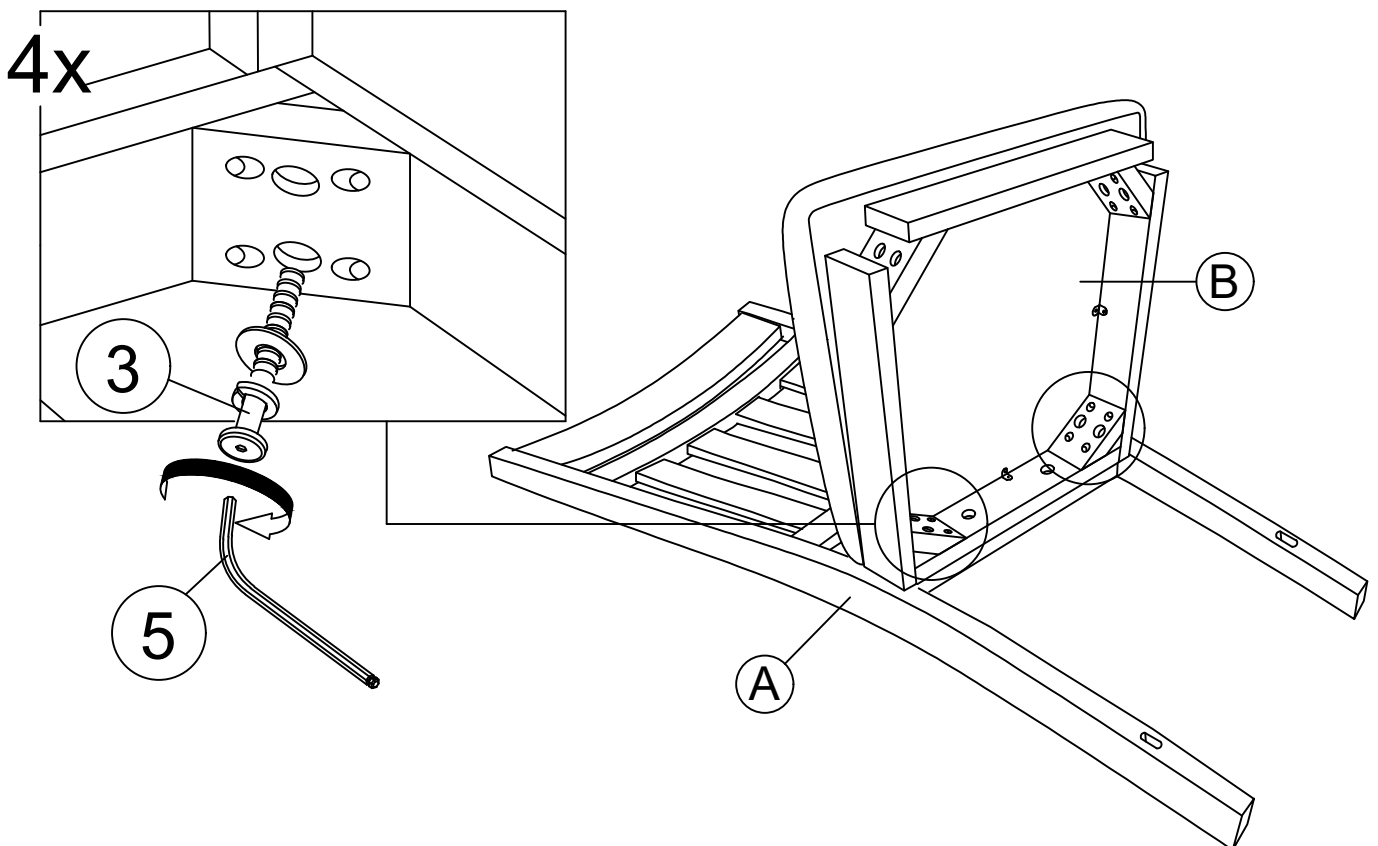
HARDWARE LIST			
NO	DESCRIPTION	SKETCH	QTY
1	SHORT BOLT 1/4" X 1 3/8" WITH LOCK WASHER & WASHER		4 PCS
2	MEDIUM BOLT 1/4" X 2 3/8" WITH LOCK WASHER & WASHER		8 PCS
3	LONG BOLT 1/4" X 3 3/16" WITH LOCK WASHER & WASHER		8 PCS
4	PAN HEAD SCREW 5/32" X 1 1/4"		8 PCS
5	ALLEN KEY		1 PC
WEIGHT CAPACITY		250 pounds (per seat)	



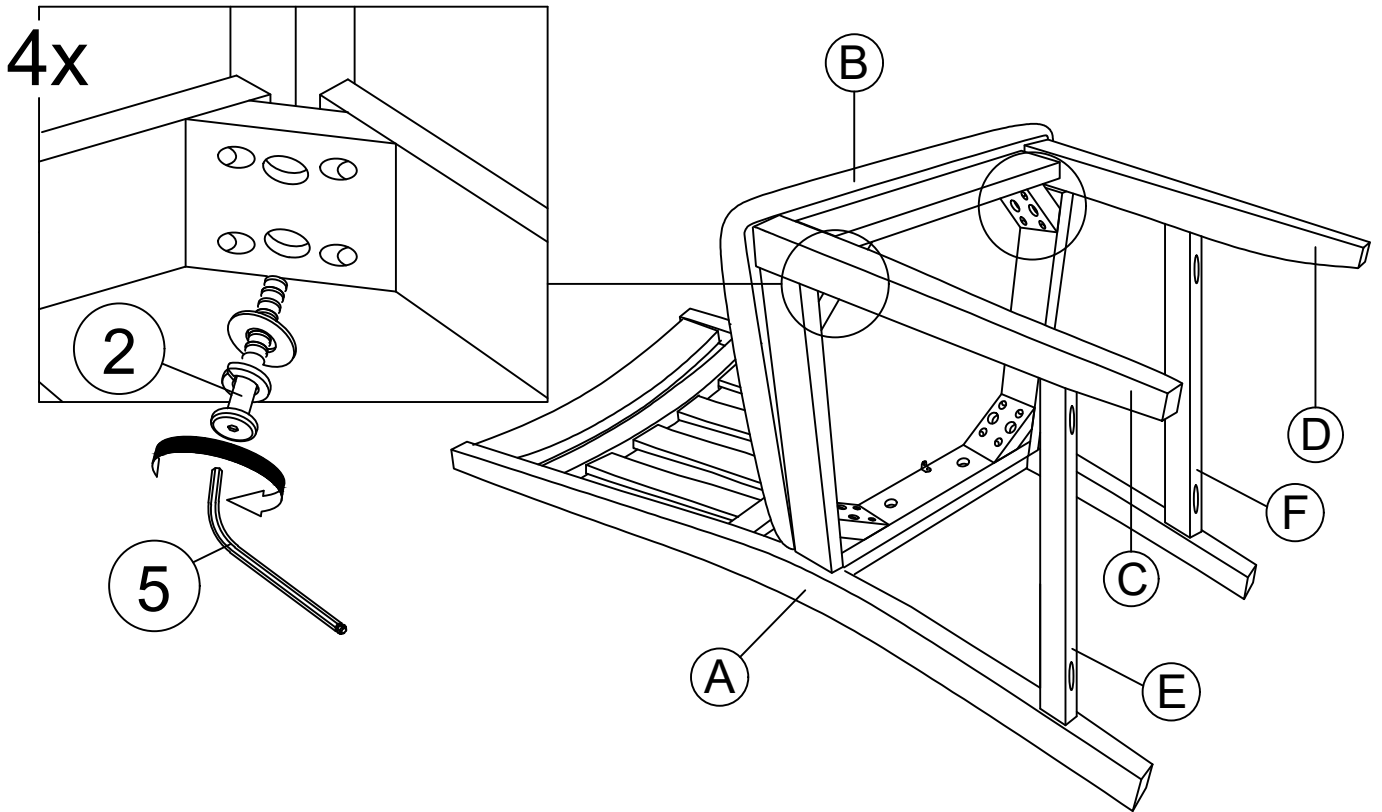
STEP 1 : Assemble the seat frame with cushion (B) with the chair back (A) using the Allen Key (5) with hardware (1).



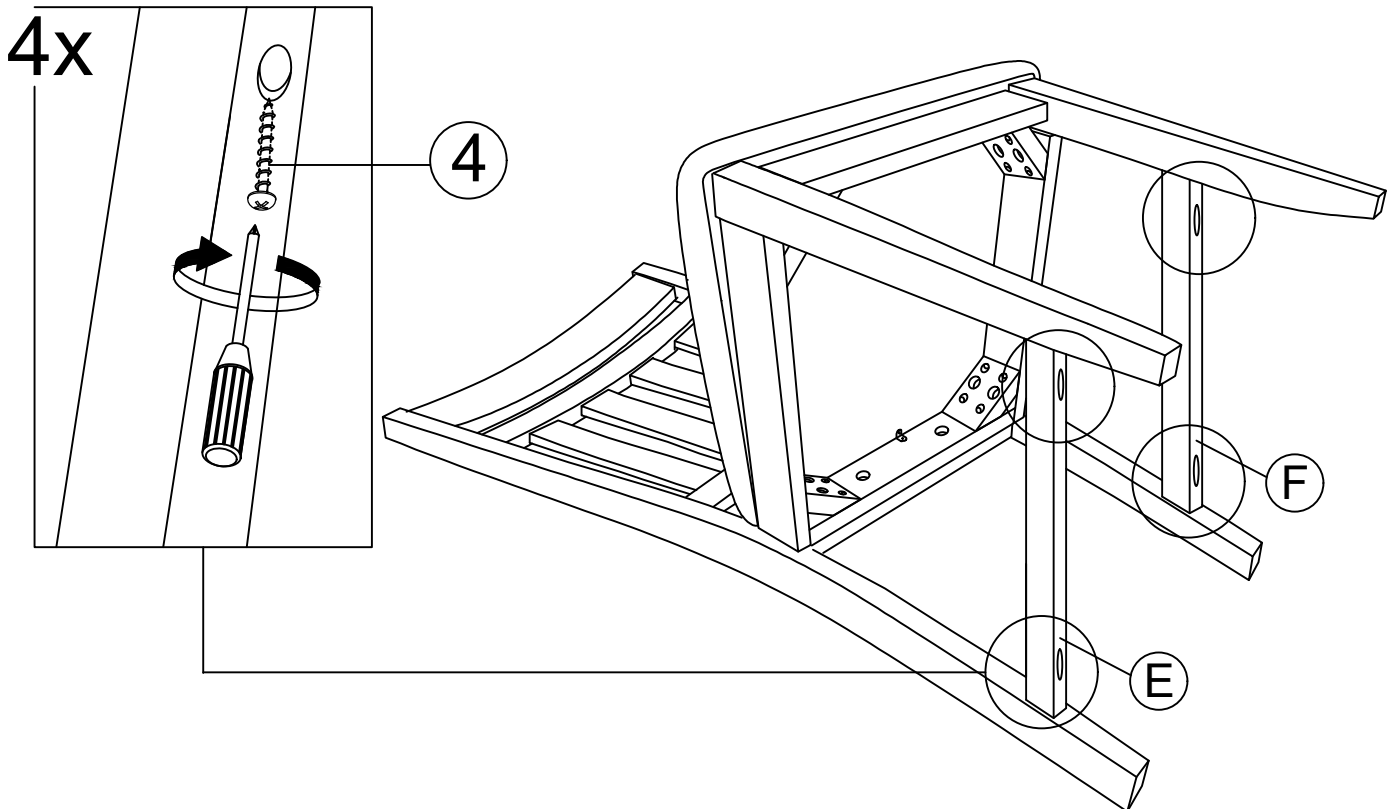
STEP 2 : Assemble the seat frame with cushion (B) with the back legs of the chair back (A) by using the Allen Key (5) with hardware (3)



STEP 3 : Place the LSF stretcher (E) and between chair back (A) and front LSF leg (C), then place the RSF stretcher (F) between chair back (A) and front RSF leg (D). Assemble the legs (C & D) with the seat frame with cushion (B) by using Allen key (5) with hardware 2.



STEP 4 : Assemble the stretchers (E & F) by using a screwdriver with hardware (4).



COMPLETED ASSEMBLY.

