



INSTRUCTION

Square Shower Head Assembly

Model Number:

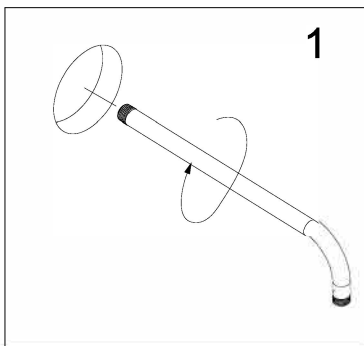
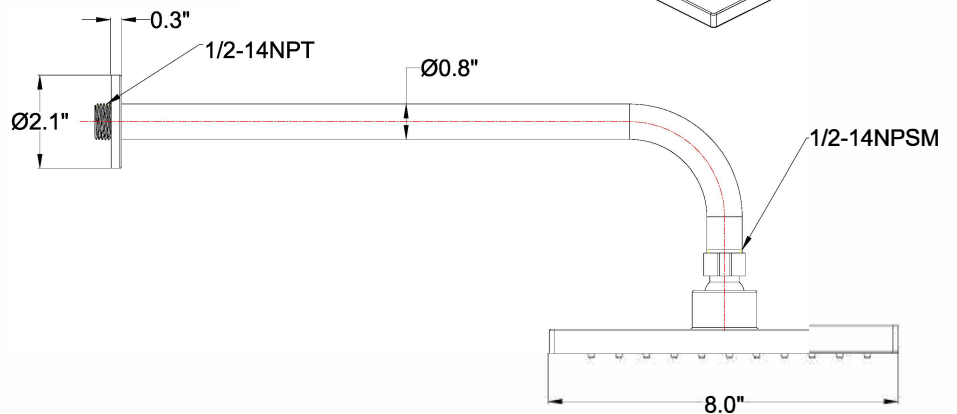
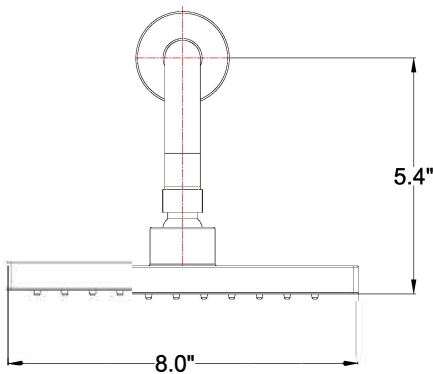
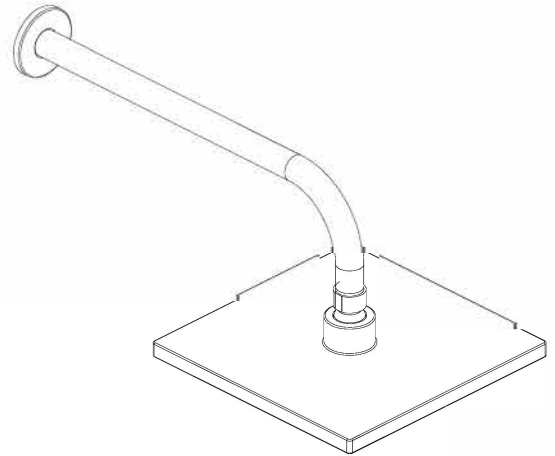
UF94000

UF94003

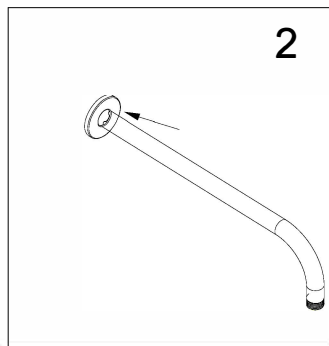
UF94005

Features:

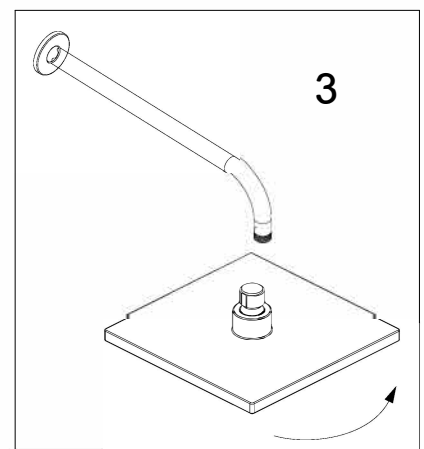
- Single Function Shower Head
- Flow Rate :2.5 gallons-per-minute
- Shower Head Width:8"W



1. Insert shower arm through wall hole and thread to appropriate line . REMEMBER TO WRAP THREADED CONNECTIONS WITH TEFLON TAPE



2. Slide flange onto shower arm Push to wall



3. Attach shower head to shower arm by threading clock wise