

# *ASSEMBLY INSTRUCTIONS*



# ASSEMBLY INSTRUCTIONS

## ASSEMBLY TIPS:

1. Remove hardware from box and sort by size.
2. Please check to see that all hardware and parts are present prior to start of assembly.
3. Please follow attached instructions in the same sequence as numbered to assure fast & easy assembly.



### WARNING!

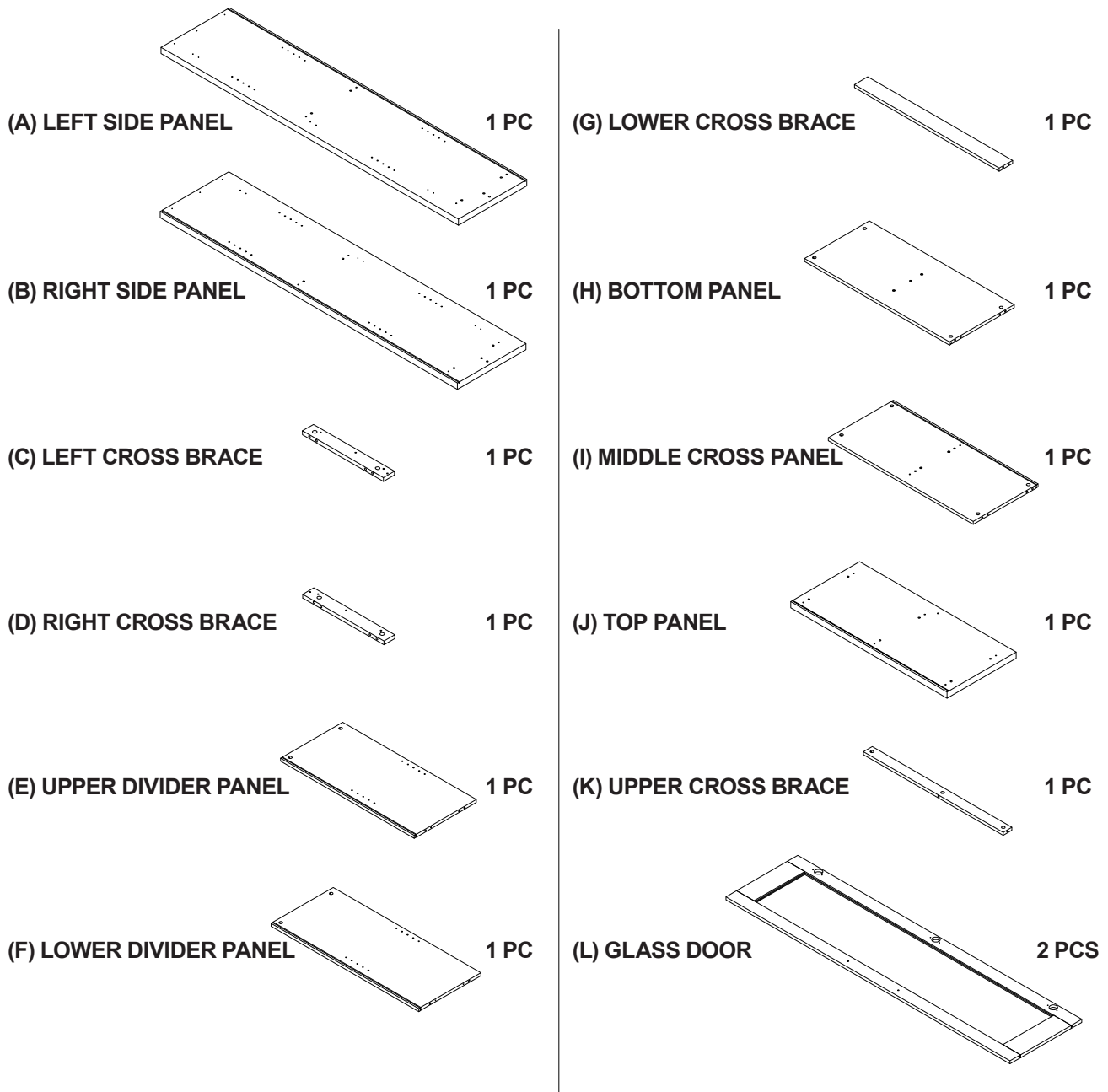
1. Don't attempt to repair or modify parts that are broken or defective. Please contact the store immediately.
2. This product is for home use only and not intended for commercial establishments.



ASSEMBLY TIME

60 MINUTES

## PARTS IDENTIFICATION



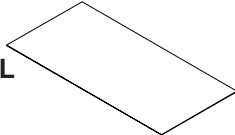
### NOTE:

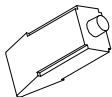
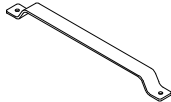
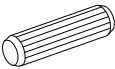



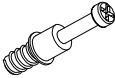
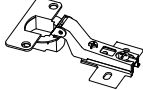



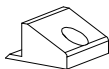


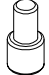
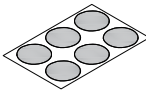

Phillips head screw driver is required in the assembly process; however, manufacturer does not provide this item.

(M) ADJUSTABLE SHELF  4 PCS

(O) UPPER RIGHT BACK PANEL  1 PC

(N) UPPER LEFT BACK PANEL  1 PC

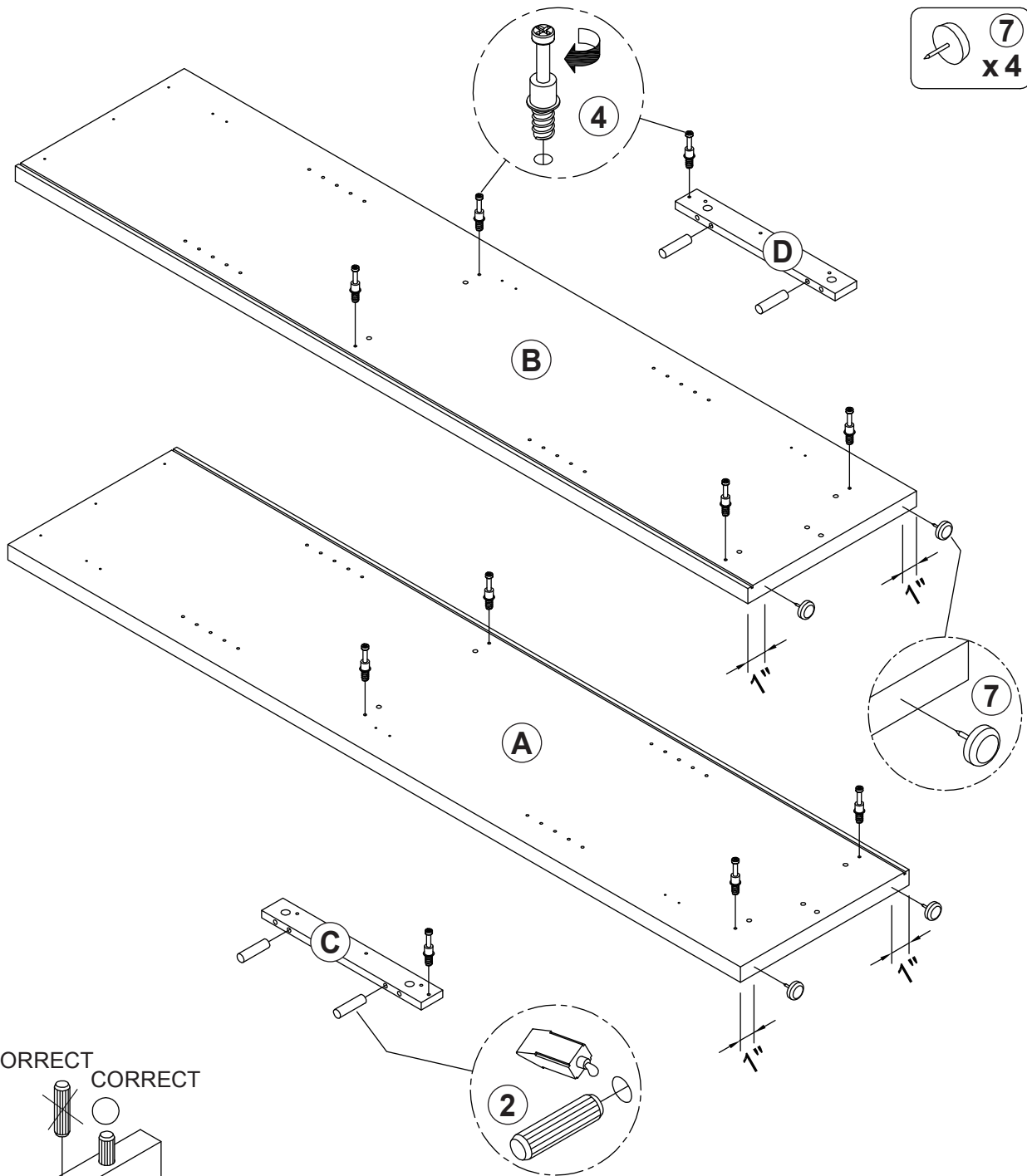
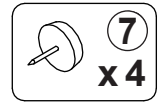
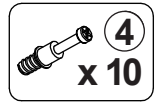
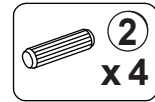
(P) LOWER BACK PANEL  2 PCS

Z							
HARDWARE IDENTIFICATION							
NO	DESCRIPTION	FIGURE	Q'TY	NO	DESCRIPTION	FIGURE	Q'TY
1	GLUE 40g		1 PC	10	HANDLE		2 PCS
2	WOODEN DOWEL Ø 8x30mm		21 PCS	11	HANDLE BOLT M5x25mm		4 PCS
3	WOODEN DOWEL Ø 8x50mm		2 PCS	12	NUT M5		4 PCS
4	CAM BOLT Ø 7x35.5mm		19 PCS	13	HINGE		6 PCS
5	CAM LOCK Ø 15x12mm		19 PCS	14	HINGE SCREW Ø 4x15mm		24 PCS
6	SCREW Ø4.5x42mm		4 PCS	15	FIXER		6 PCS
7	PLASTIC FEET Ø 15mm		5 PCS	16	FIXER SCREW Ø 3x19mm		6 PCS
8	PIN Ø 4.9x8mm		16 PCS	17	STICKER Ø 20mm		4 PCS
9	SCREW Ø 4x28mm		6 PCS				

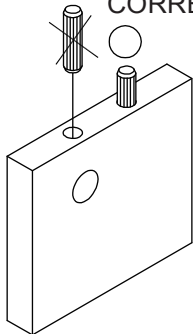
**NOTE:**

Phillips head screw driver is required in the assembly process; however, manufacturer does not provide this item.

# STEP 1



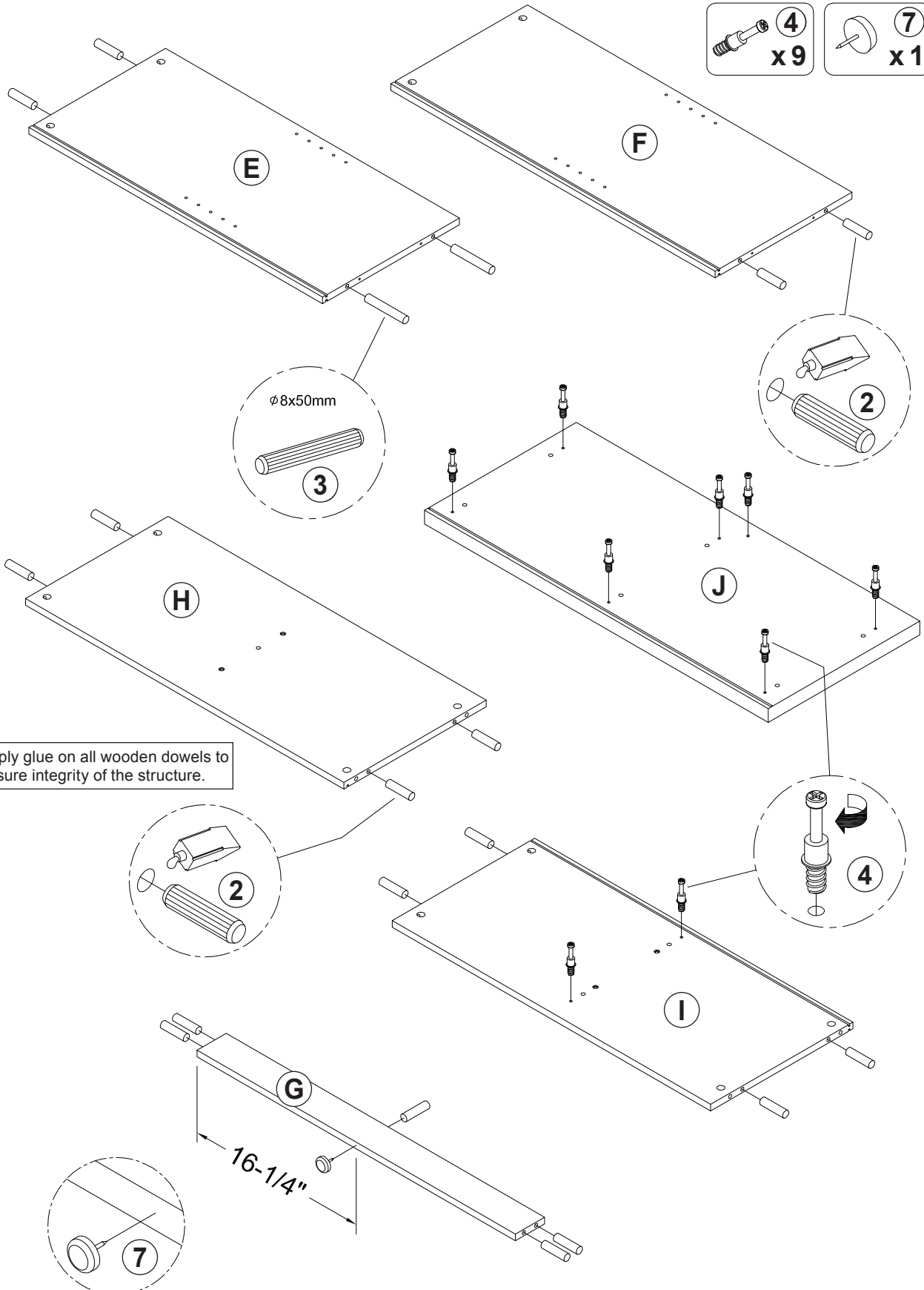
INCORRECT      CORRECT



Apply glue on all wooden dowels to ensure integrity of the structure.

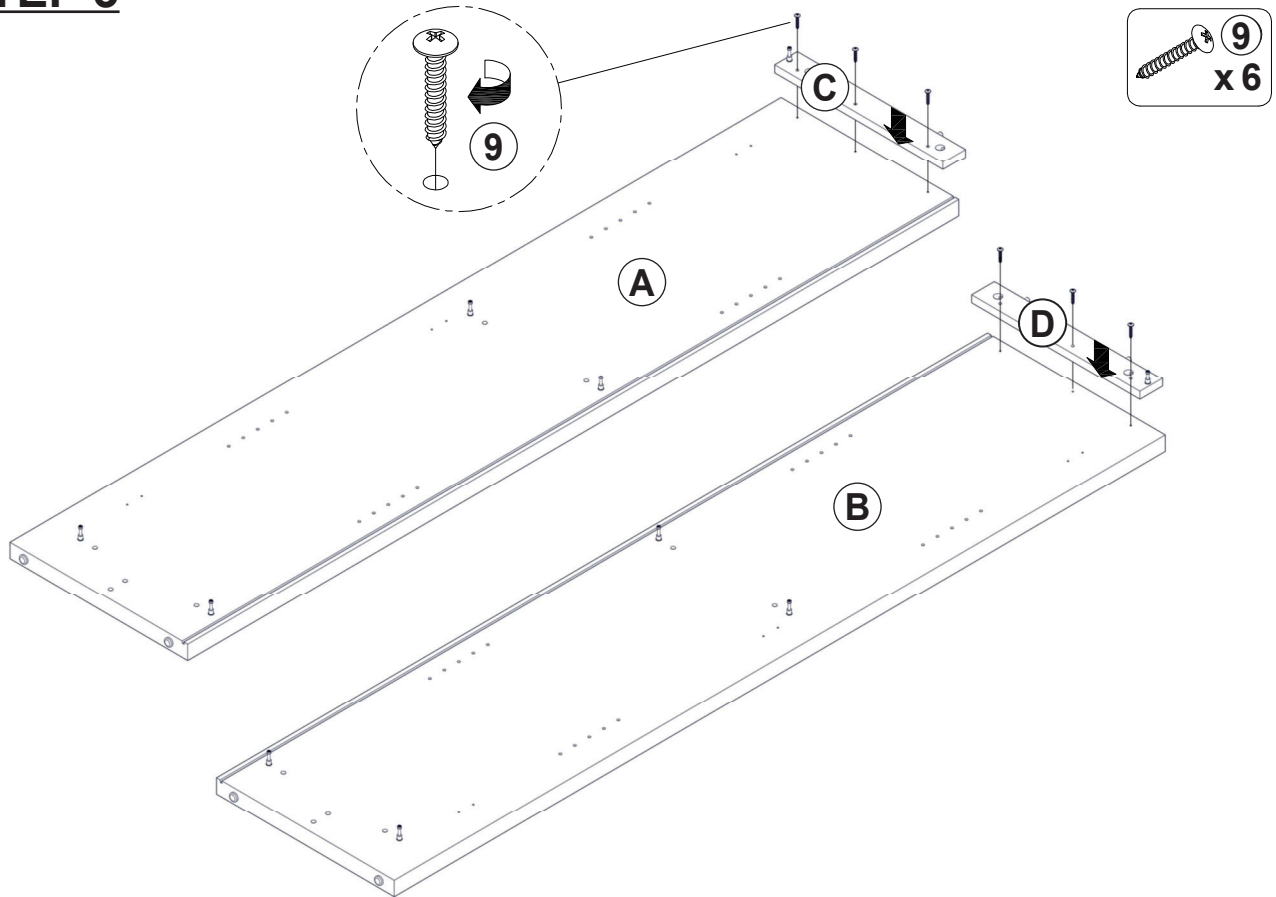
# STEP 2

- 2**  
x 17
- 3**  
x 2
- 4**  
x 9
- 7**  
x 1

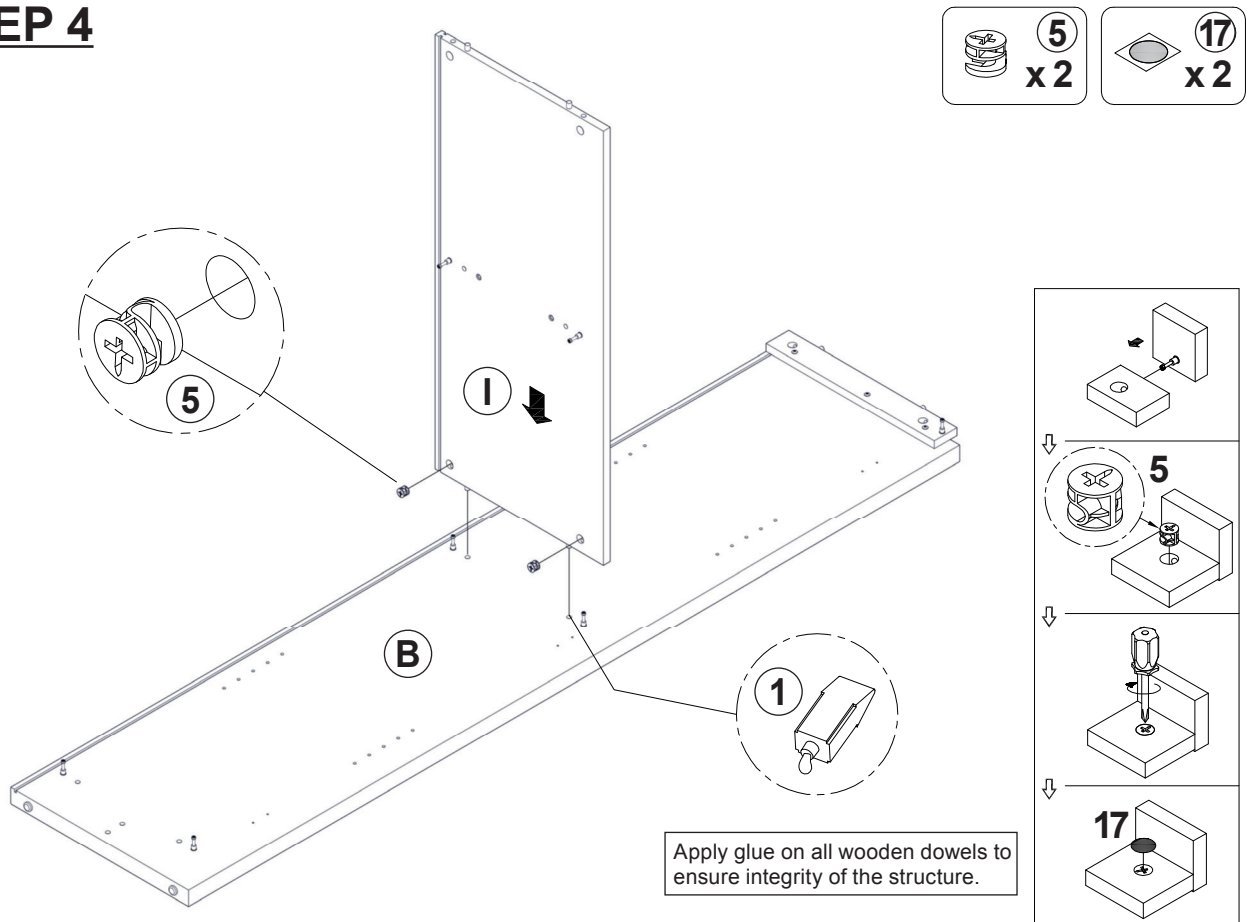


Apply glue on all wooden dowels to ensure integrity of the structure.

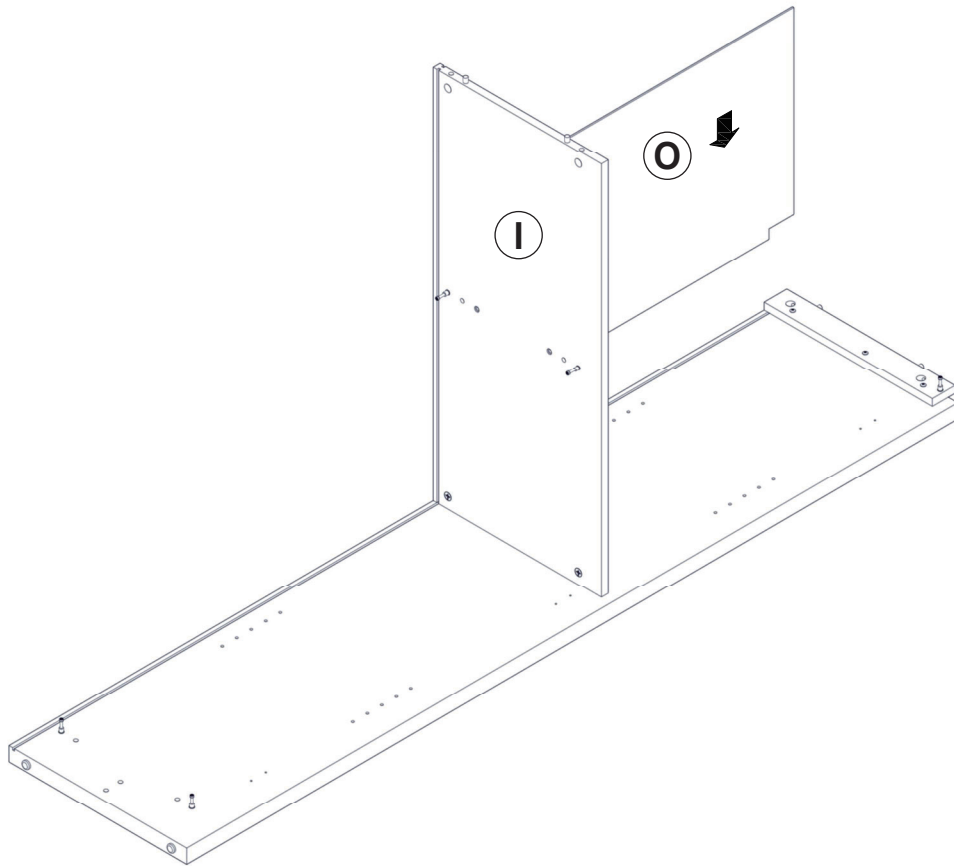
## STEP 3



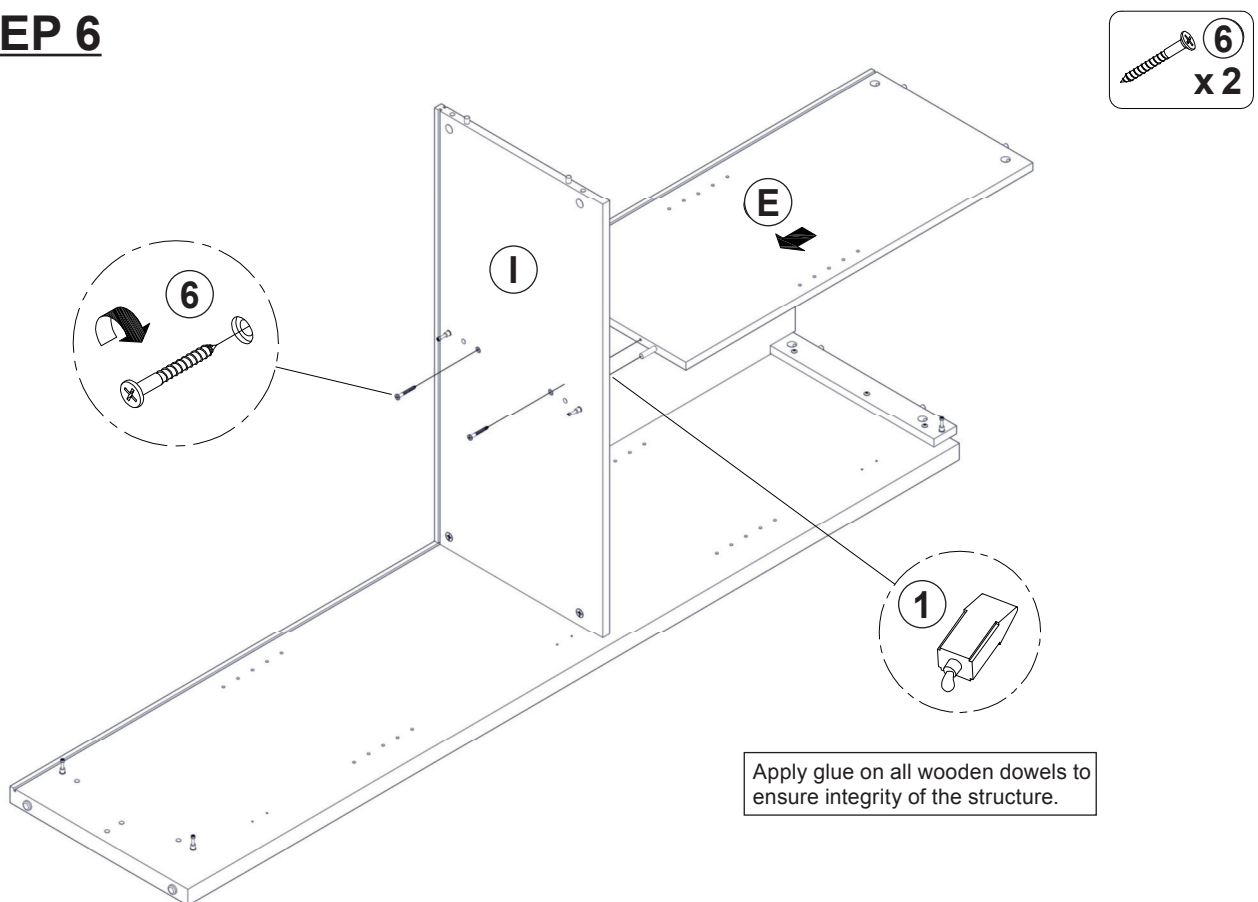
## STEP 4



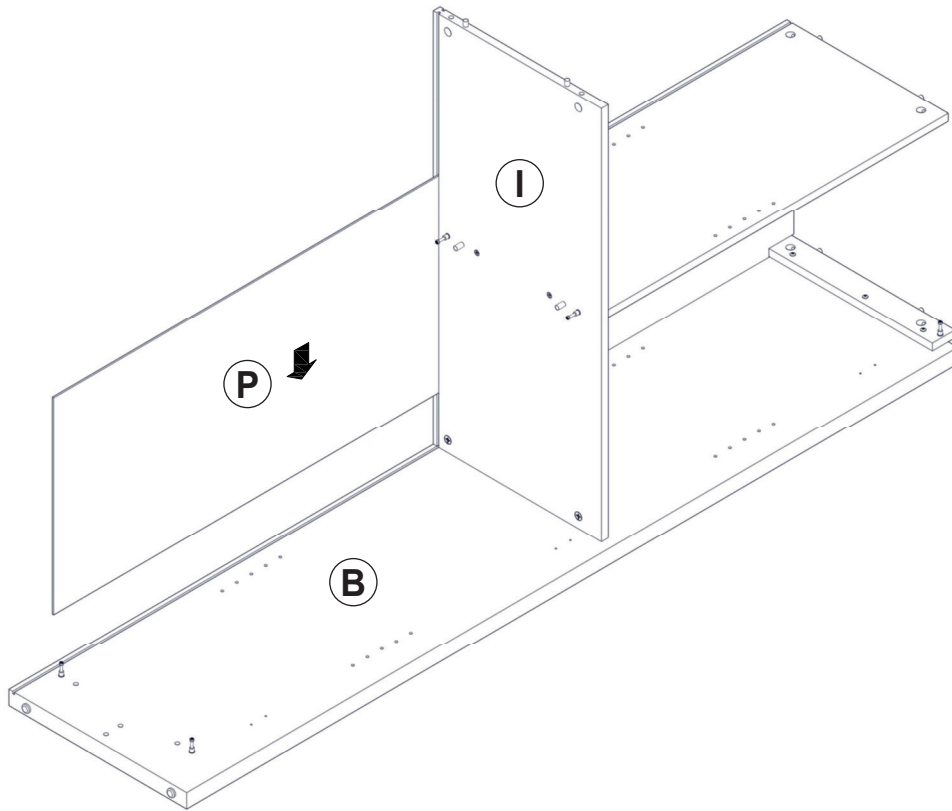
## STEP 5



## STEP 6

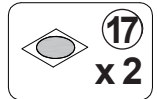
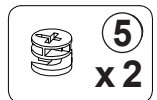
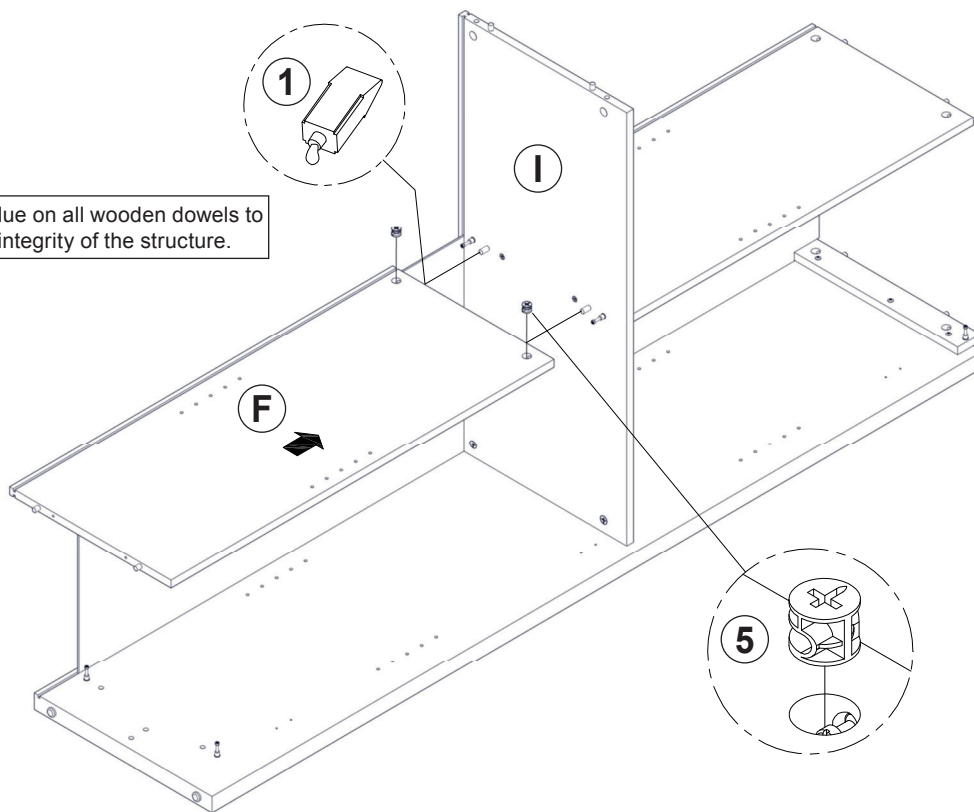


## STEP 7

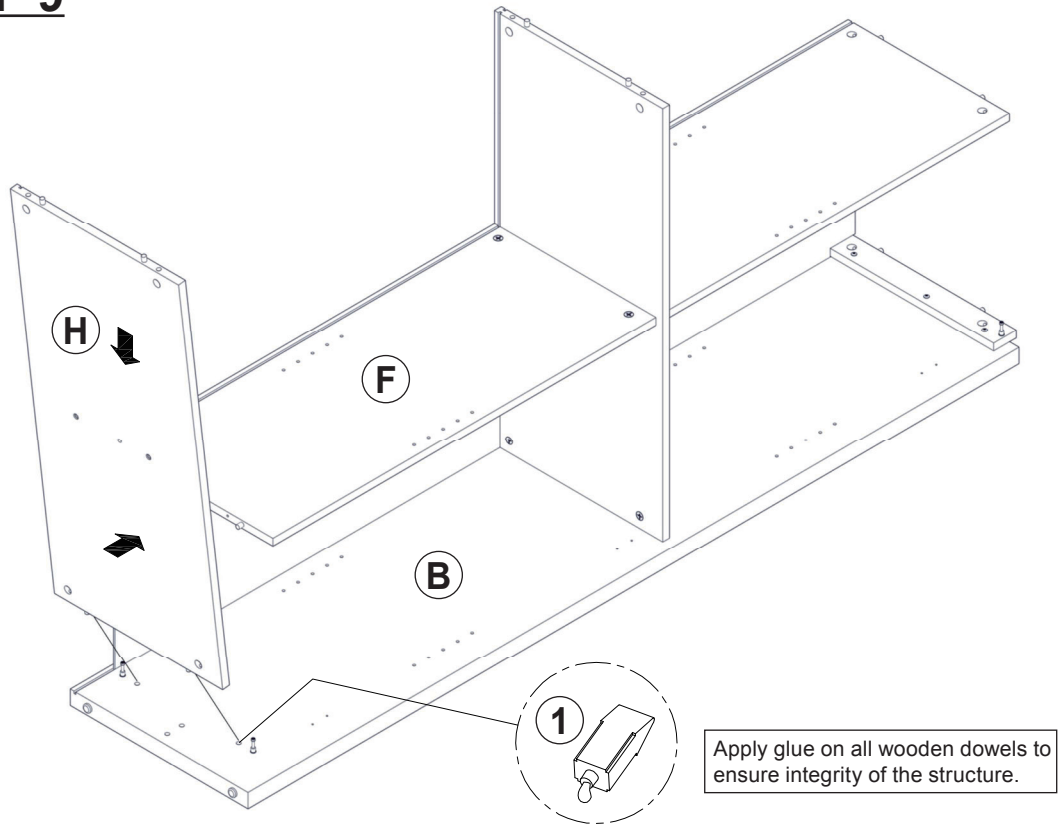


## STEP 8

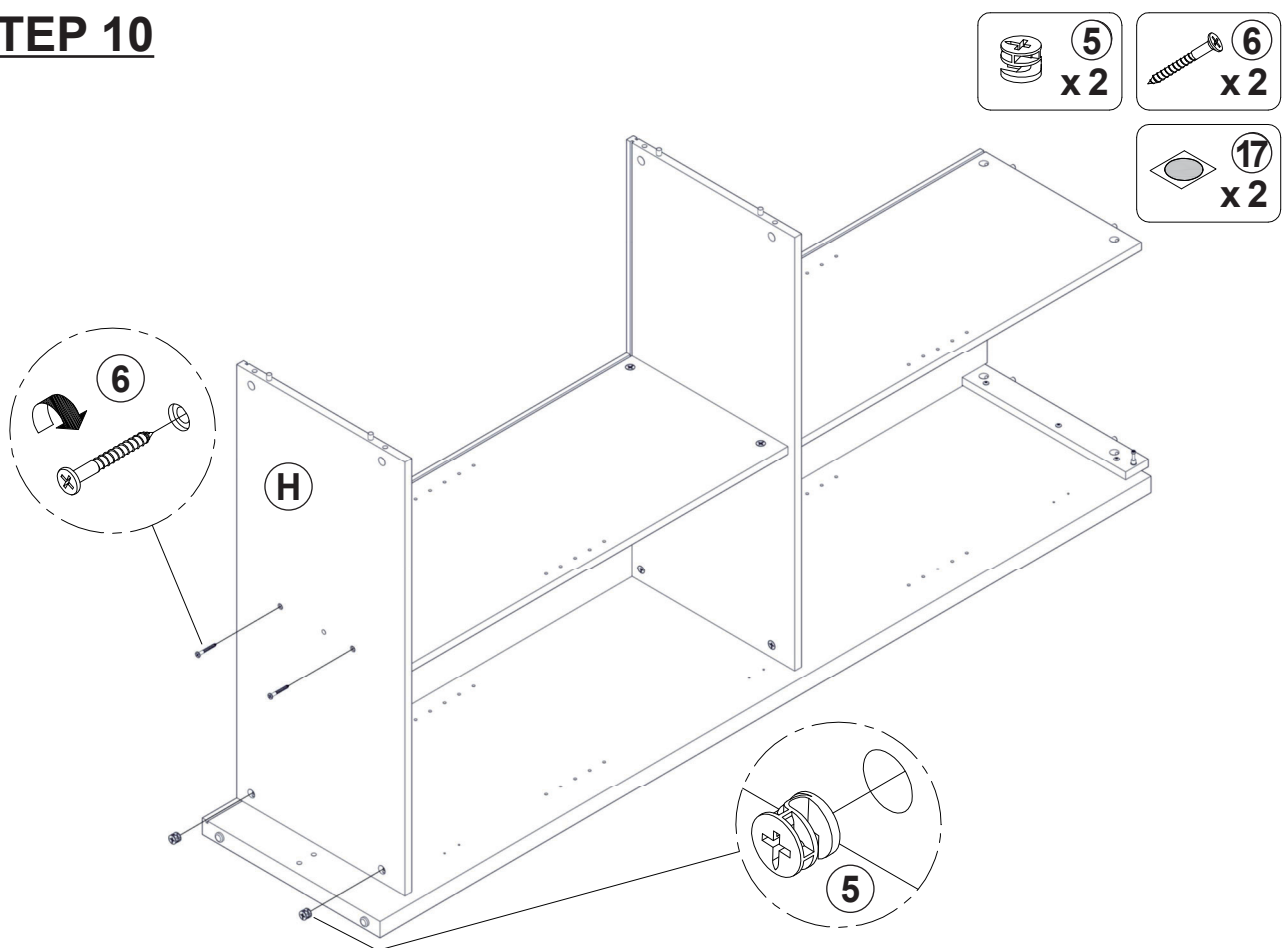
Apply glue on all wooden dowels to ensure integrity of the structure.



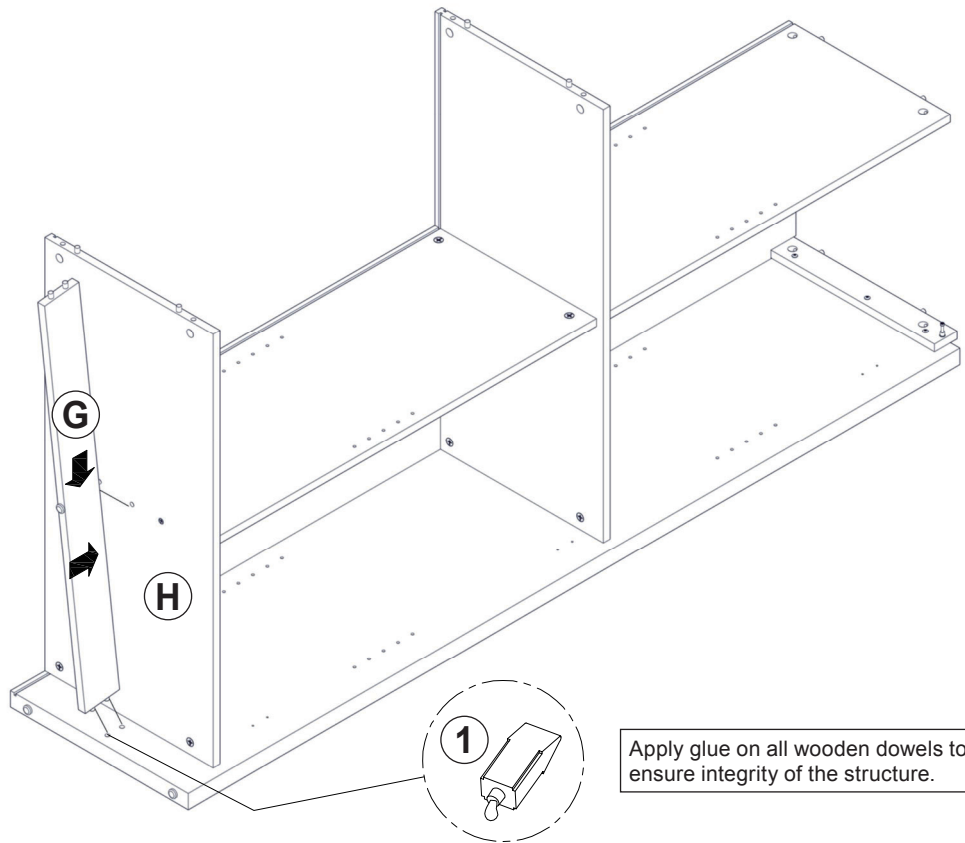
## STEP 9



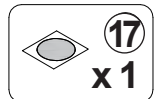
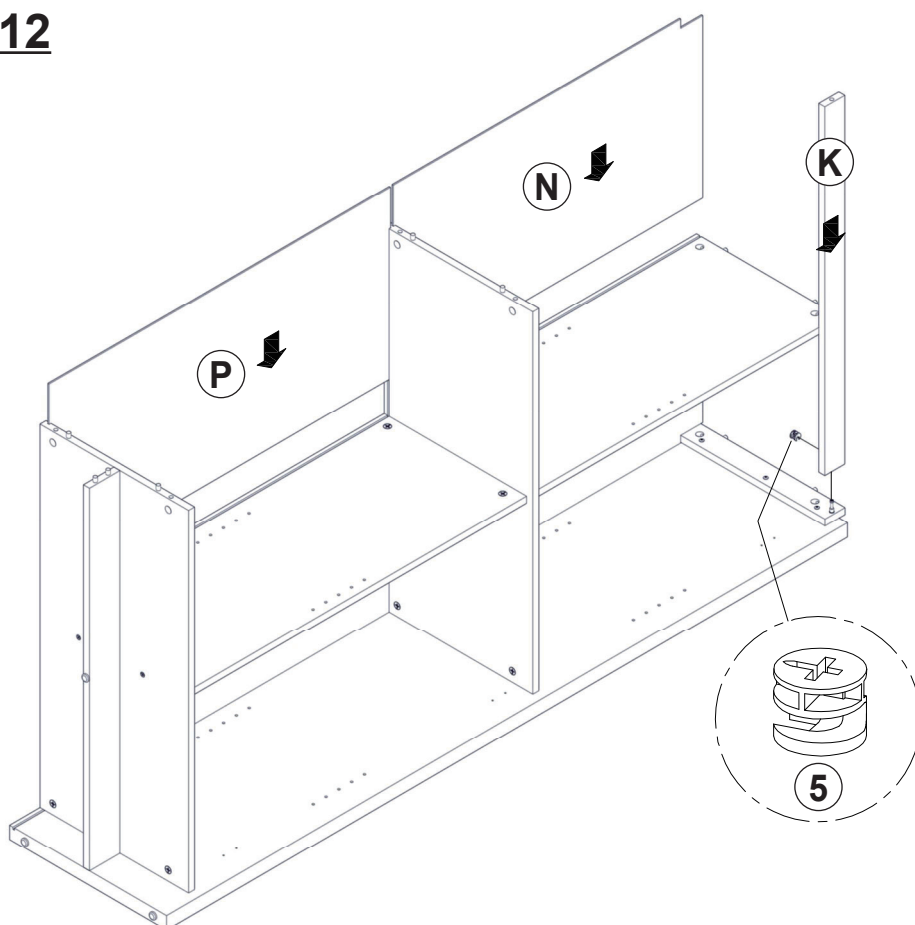
## STEP 10



## STEP 11

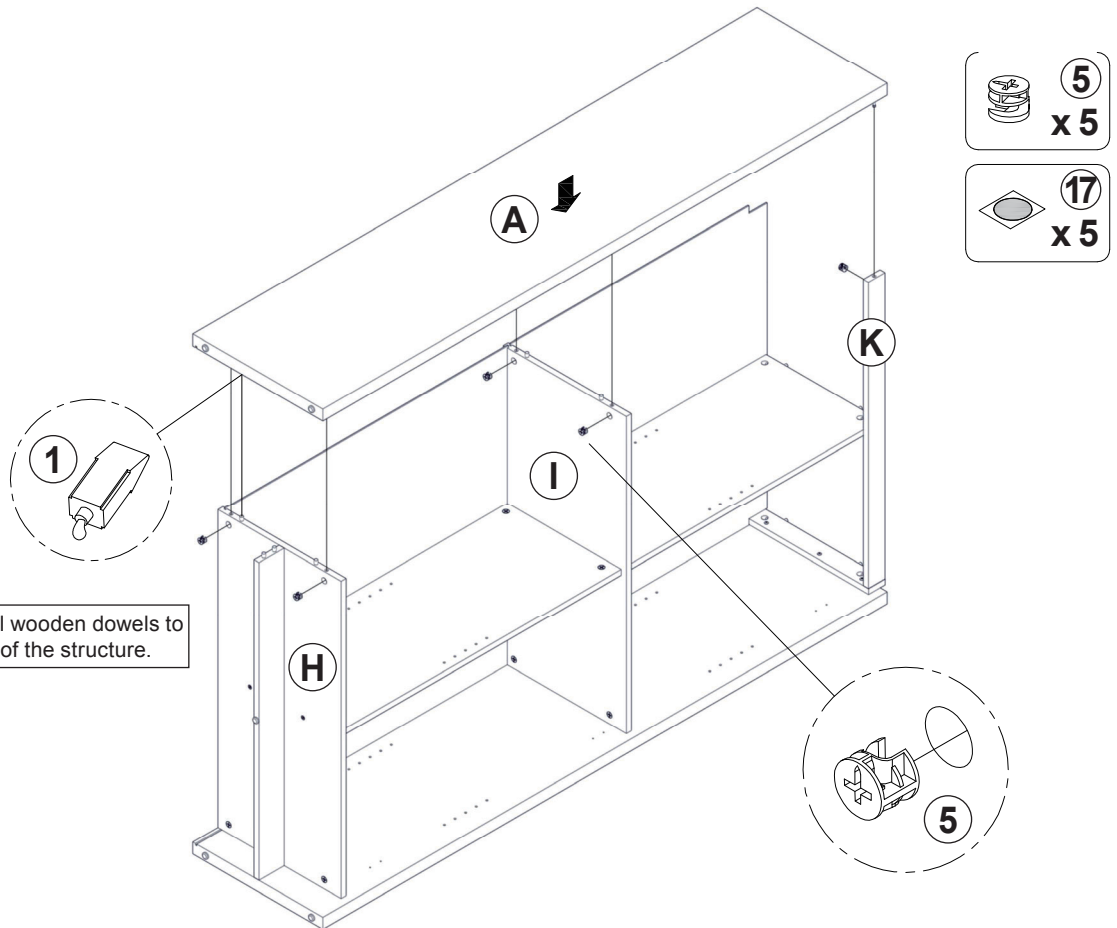


## STEP 12

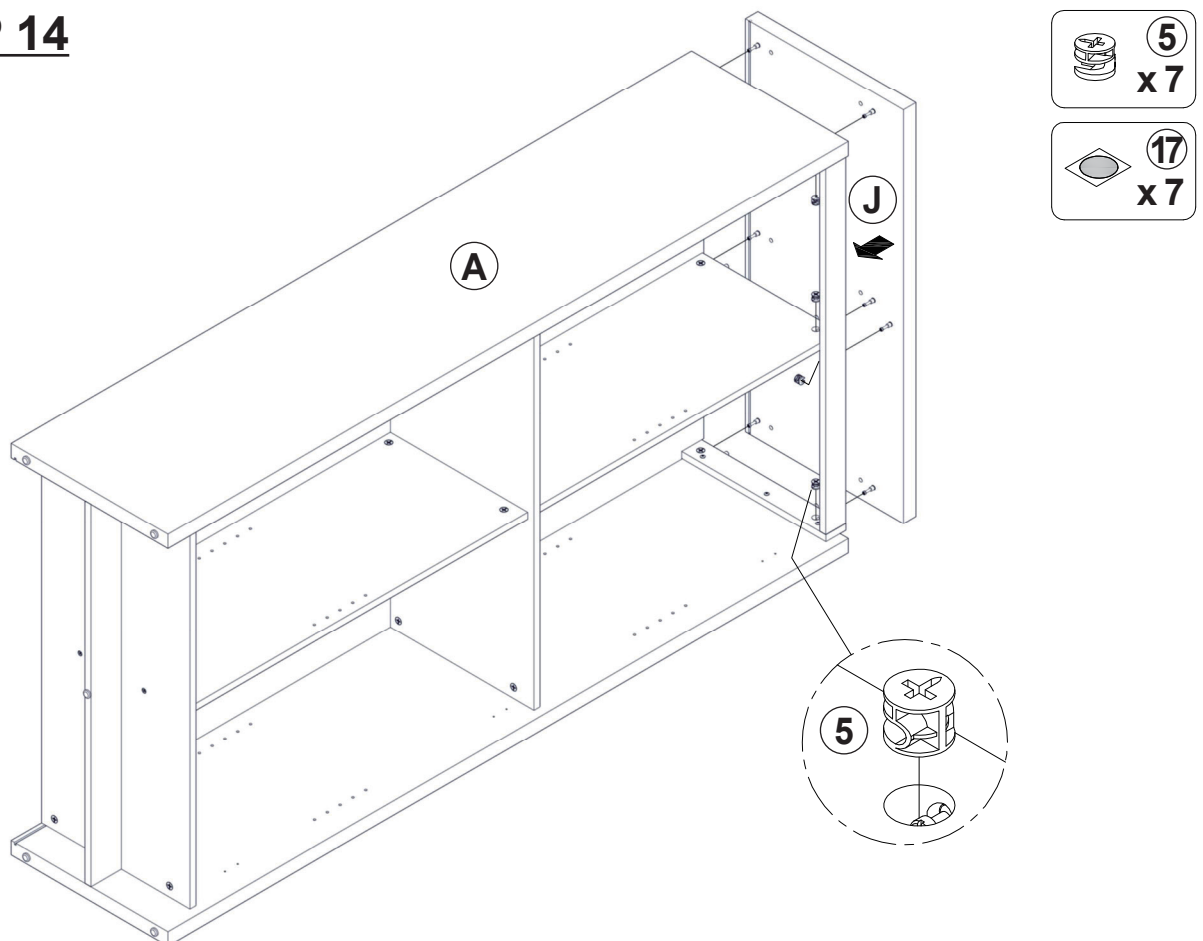


## STEP 13

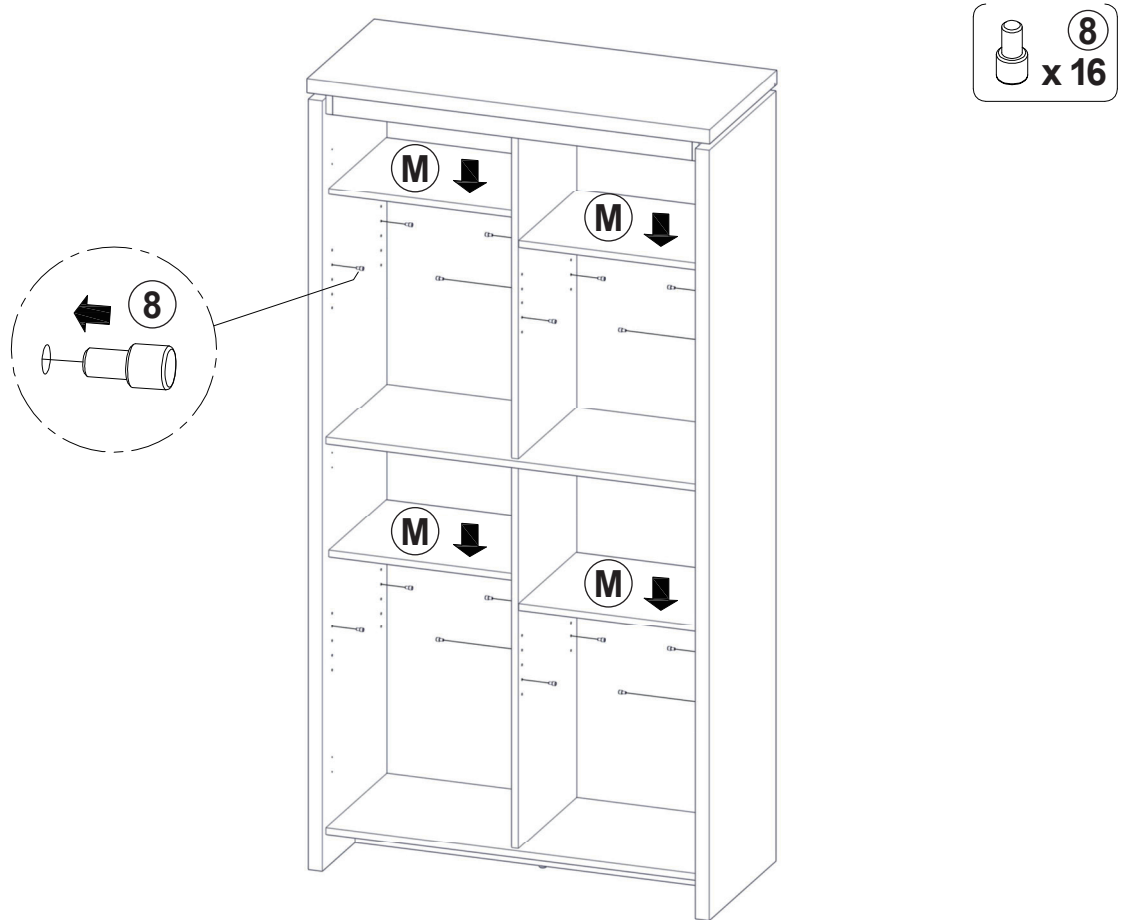
Apply glue on all wooden dowels to ensure integrity of the structure.



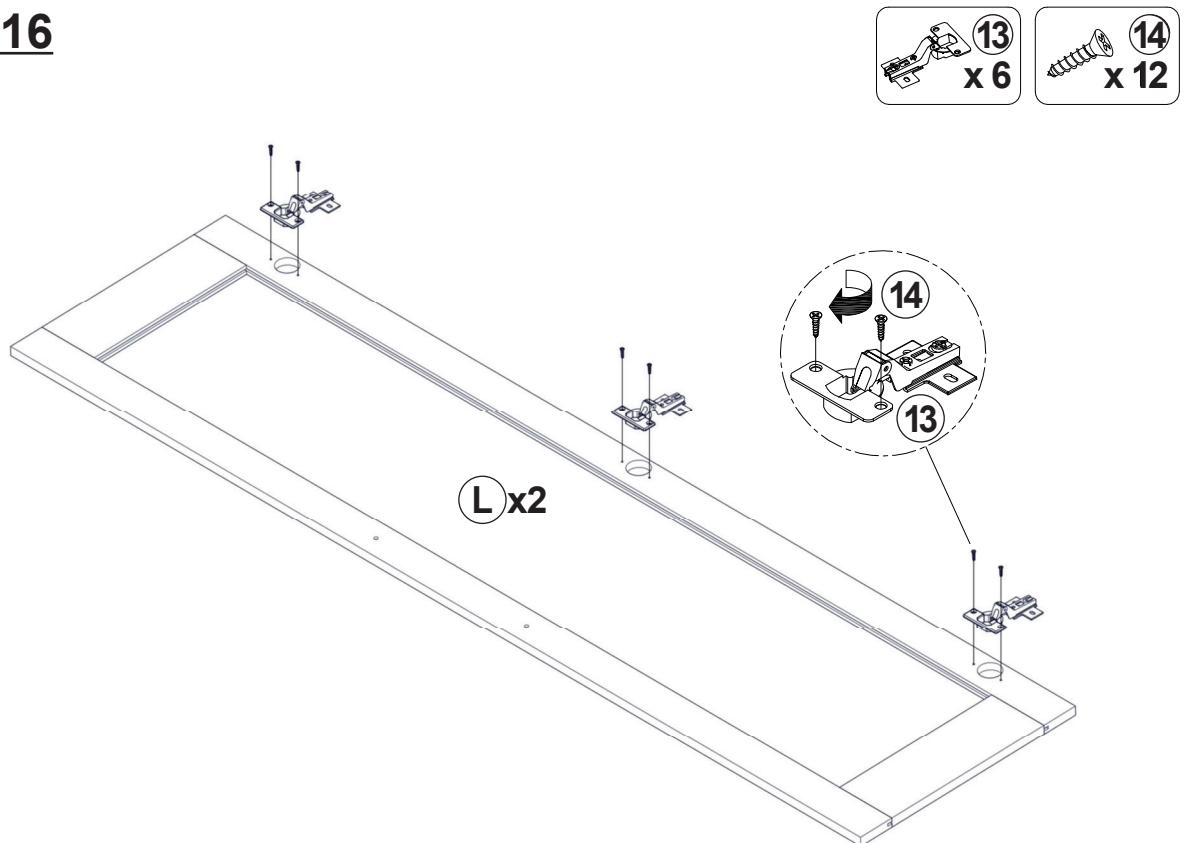
## STEP 14



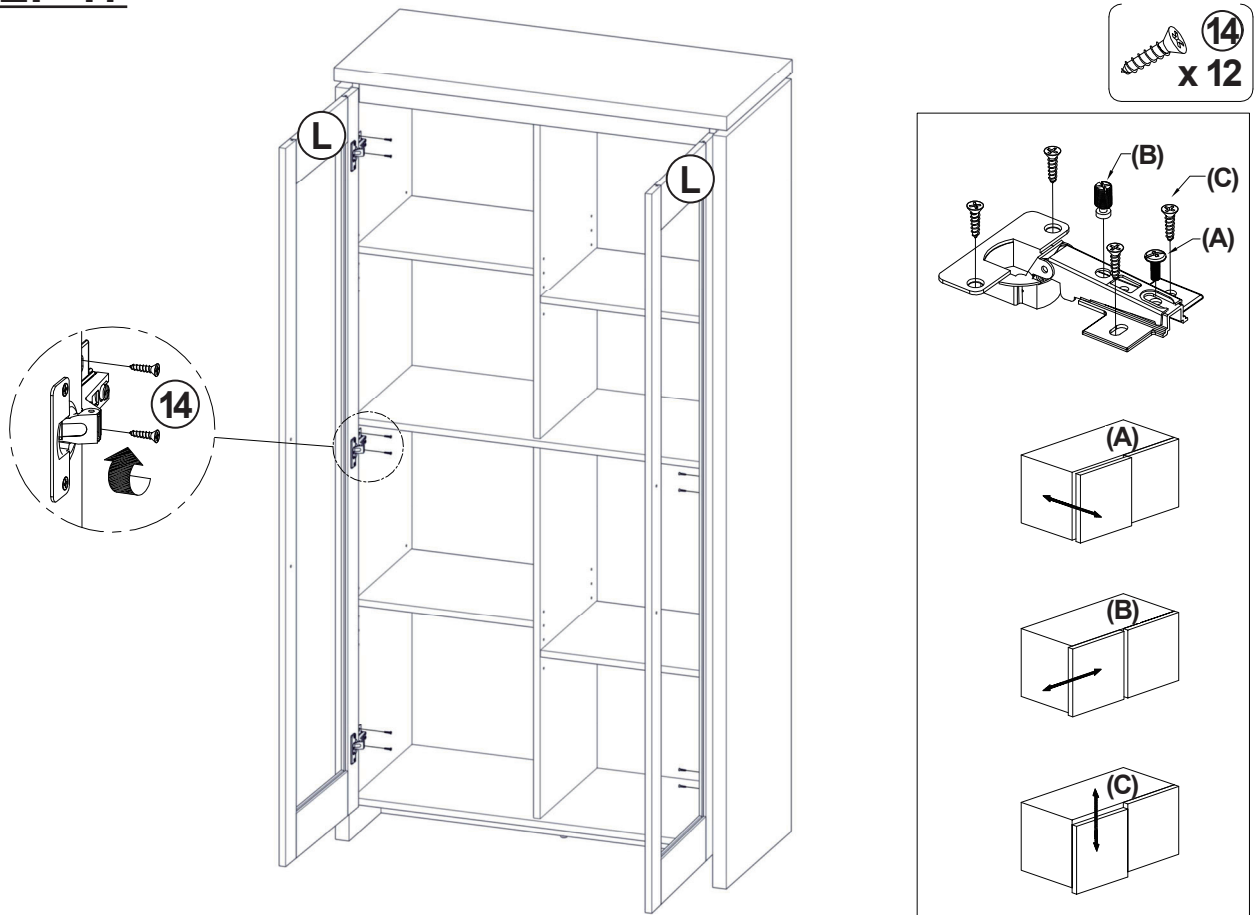
## STEP 15



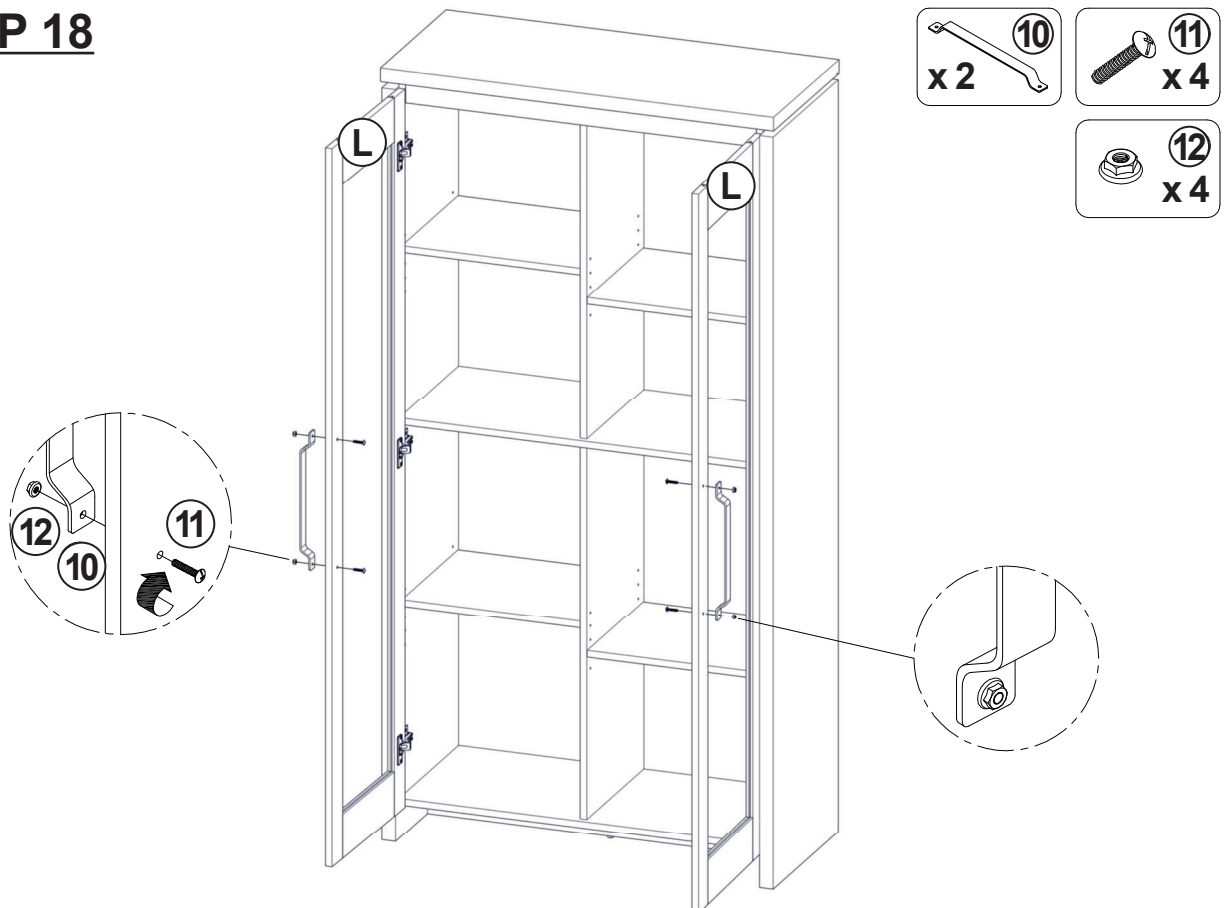
## STEP 16



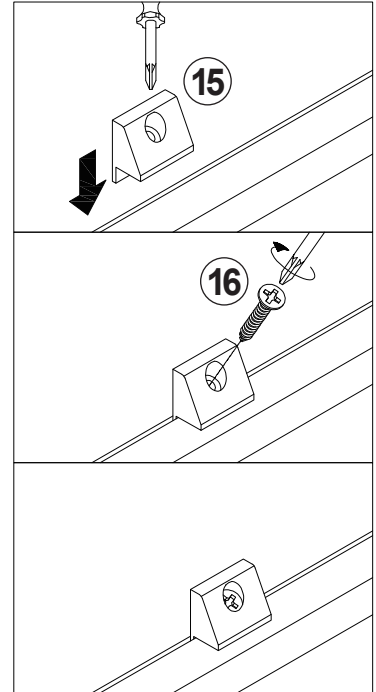
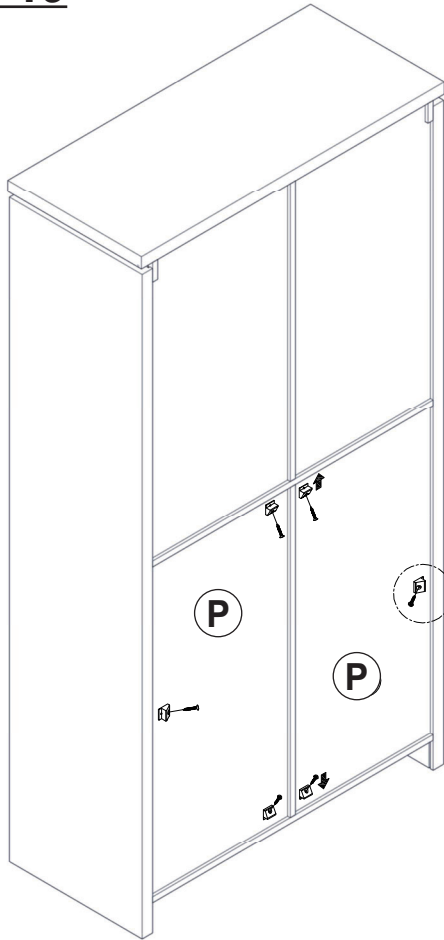
## STEP 17



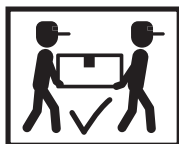
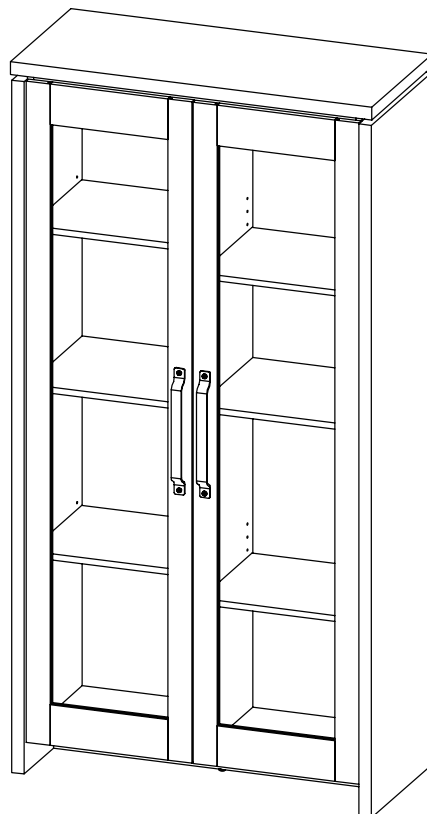
## STEP 18

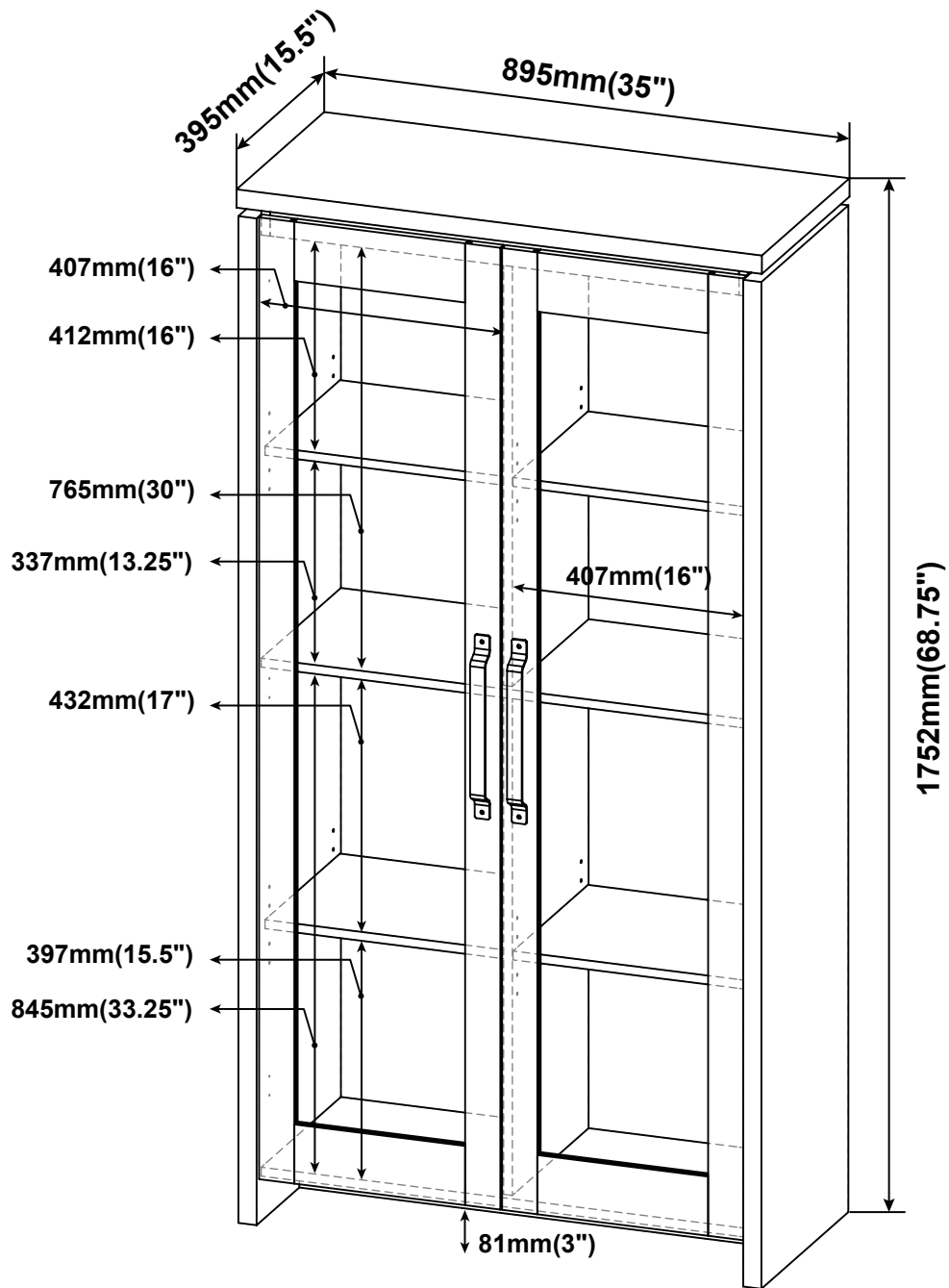


## STEP 19



## STEP 20 COMPLETE





**Note :** Dimension tolerance  $\pm 5\%$

# ANTI-TIPPING INSTALLMENT INSTRUCTIONS

## FURNITURE TIPPING RESTRAINT

### WARNING

Injury may result from tipping furniture.  
This restraint may protect against tipping furniture.  
Do not allow children to climb on furniture.  
This restraint is not a substitute for proper adult supervision.  
Failure to detach this restraint before moving the furniture  
may result in injury and damage.

1. To attach the anti-tip strap, securely mount one end to the top of the case piece with the 5/8" screw.
2. Position the case piece against the wall in the desired location.
3. Pull the anti-tip strap taut and mark the position of where you will secure the other end on the wall.
4. Drill a 1-1/4" hole in the spot you marked.
5. Tap in plastic wall plug.
6. Fasten anti-tip strap with wall screw provided.

**(Please install the anti-tipping kit in the middle of the case piece if only have one set of anti-tipping kit.)**

